



US00D951460S

(12) **United States Design Patent** (10) **Patent No.:** **US D951,460 S**  
**Park** (45) **Date of Patent:** **\*\* May 10, 2022**

(54) **BALANCE REHABILITATION TRAINING APPARATUS**  
(71) Applicant: **Neofect Co., Ltd.**, Seongnam-si (KR)  
(72) Inventor: **Byeong Geol Park**, Icheon-si (KR)  
(73) Assignee: **Neofect Co., Ltd.**, Seongnam-si (KR)  
(\*\*) Term: **15 Years**

D721,179 S \* 1/2015 Matsuda ..... D24/183  
D902,790 S \* 11/2020 Nowak ..... D12/130  
D913,386 S \* 3/2021 Channer ..... D21/691  
D929,910 S \* 9/2021 Sainz ..... D12/130  
2015/0328497 A1\* 11/2015 Doucot ..... A63B 21/00181  
482/146  
2016/0256737 A1\* 9/2016 Yoshioka ..... A63B 23/0405  
2018/0036571 A1\* 2/2018 Channer ..... A63B 23/1236  
2018/0133081 A1\* 5/2018 Kaufman ..... A47C 7/546

(21) Appl. No.: **35/510,353**  
(22) Filed: **Mar. 13, 2020**

(80) **Hague Agreement Data**  
Int. Filing Date: **Mar. 13, 2020**  
Int. Reg. No.: **DM/207695**  
Int. Reg. Date: **Mar. 13, 2020**  
Int. Reg. Pub. Date: **Sep. 18, 2020**  
(51) **LOC (13) Cl.** ..... **24-02**  
(52) **U.S. Cl.**  
USPC ..... **D24/183; D24/188**  
(58) **Field of Classification Search**  
USPC ..... D24/183, 184, 188, 190; D12/128, 130  
CPC .. A63B 26/003; A63B 26/006; A63B 23/0458  
See application file for complete search history.

(56) **References Cited**  
U.S. PATENT DOCUMENTS  
3,685,511 A \* 8/1972 Alvarez ..... A63B 23/0476  
601/115  
3,958,568 A \* 5/1976 Gaddy ..... A61G 5/14  
602/5  
D307,055 S \* 4/1990 Johnston ..... D24/190  
D352,112 S \* 11/1994 Coonrod ..... D24/183  
D404,345 S \* 1/1999 Donets ..... D12/130  
D535,220 S \* 1/2007 Wu ..... D12/130

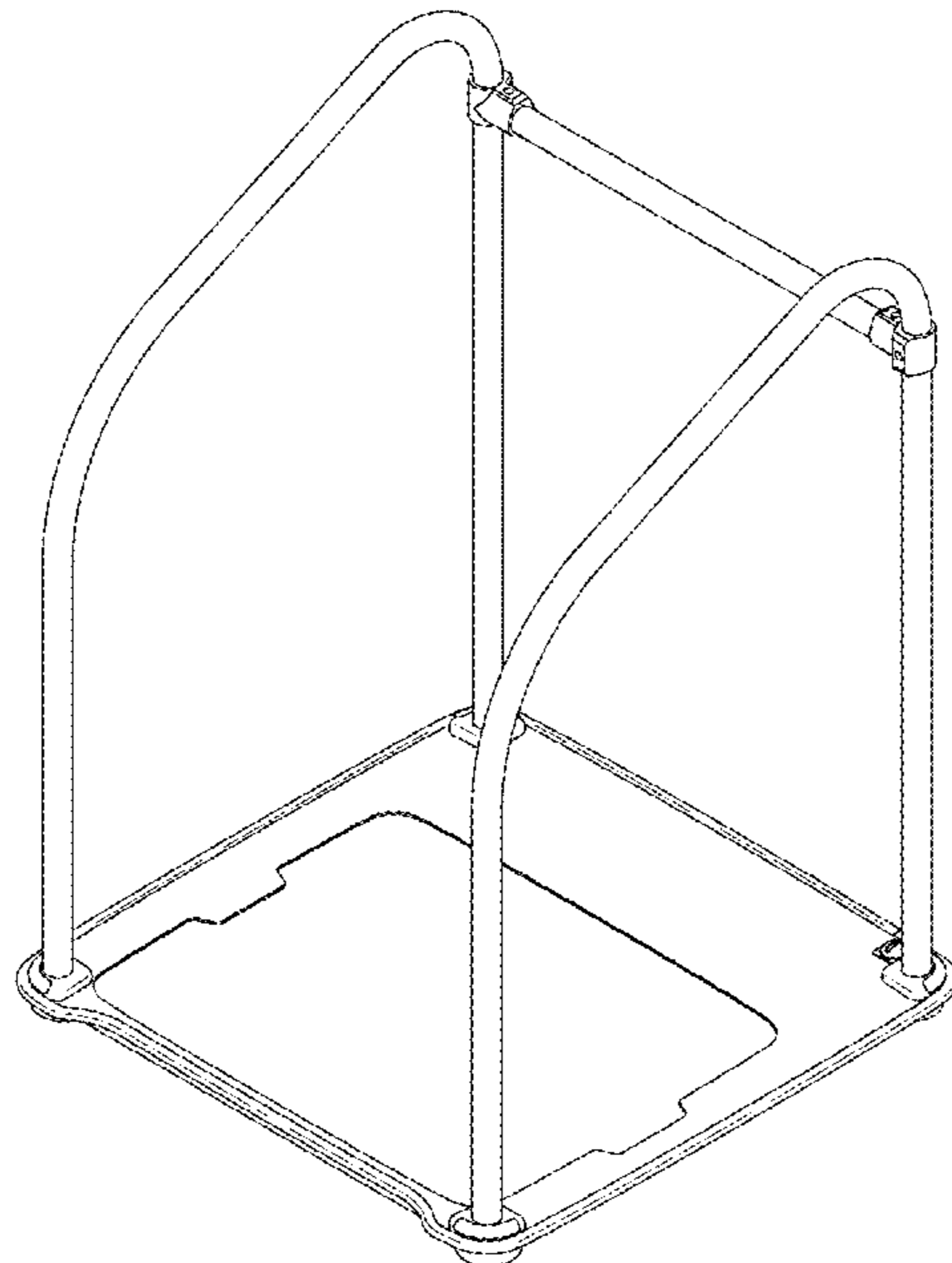
**OTHER PUBLICATIONS**  
Amazon.Com, Versa Lift Attic Safety Railing, available Jun. 2011, online product page, retrieved Sep. 14, 2021 from <URL: https://www.amazon.com/Versa-Ladder-Safety-Railing-VR-60/dp/B001OSJWQA/> (Year: 2011).\*

\* cited by examiner  
*Primary Examiner* — Calvin E Vansant  
(74) *Attorney, Agent, or Firm* — Revolution IP, PLLC

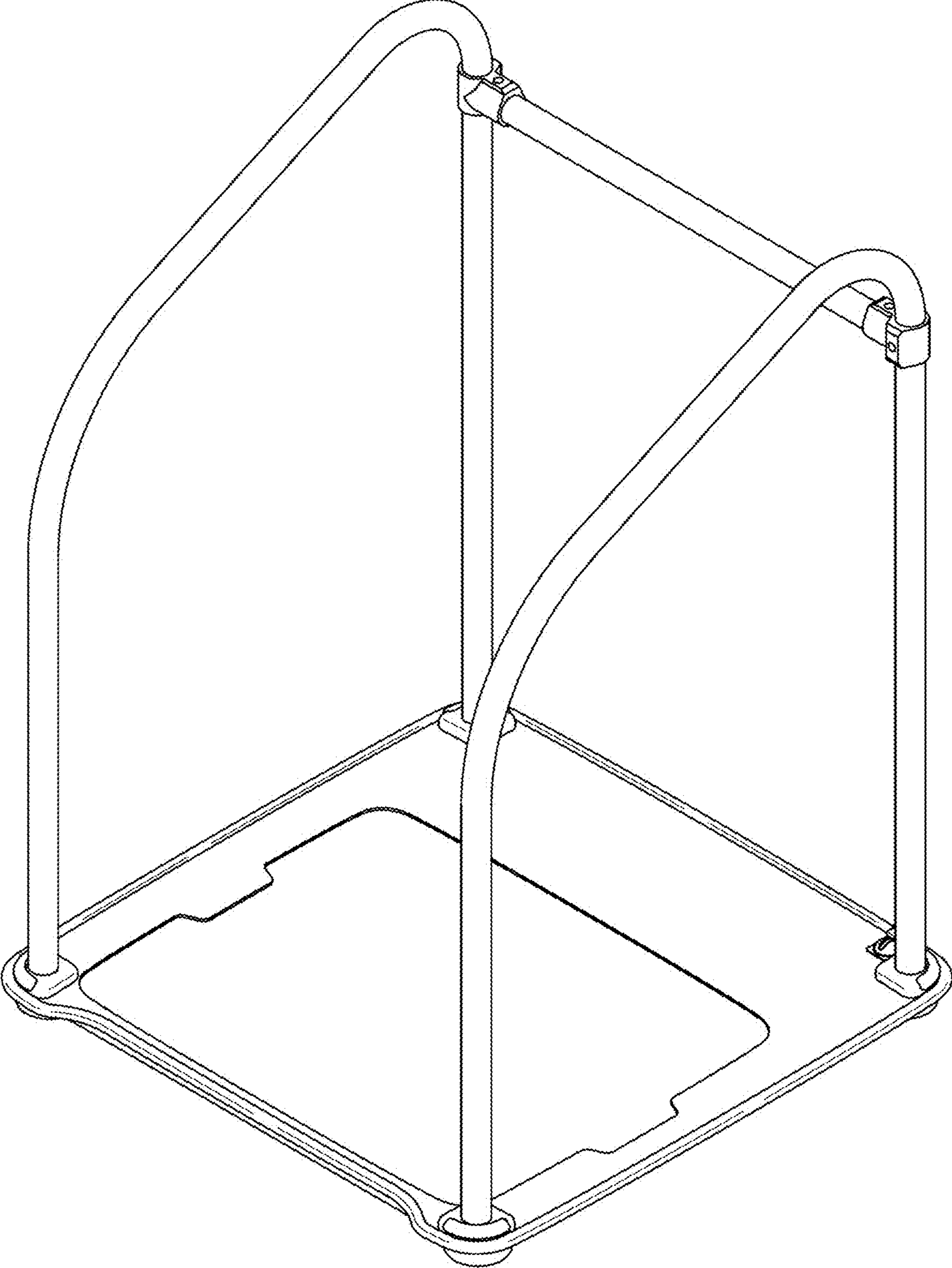
(57) **CLAIM**  
The ornamental design for a balance rehabilitation training apparatus, as shown and described.

**DESCRIPTION**  
1. Balance rehabilitation training apparatus  
1.1 : Perspective  
1.2 : Front  
1.3 : Back  
1.4 : Left  
1.5 : Right  
1.6 : Top  
1.7 : Bottom  
The broken lines in Fig. 1.7 depict portions of the balance rehabilitation training apparatus that form no part of the claimed design.

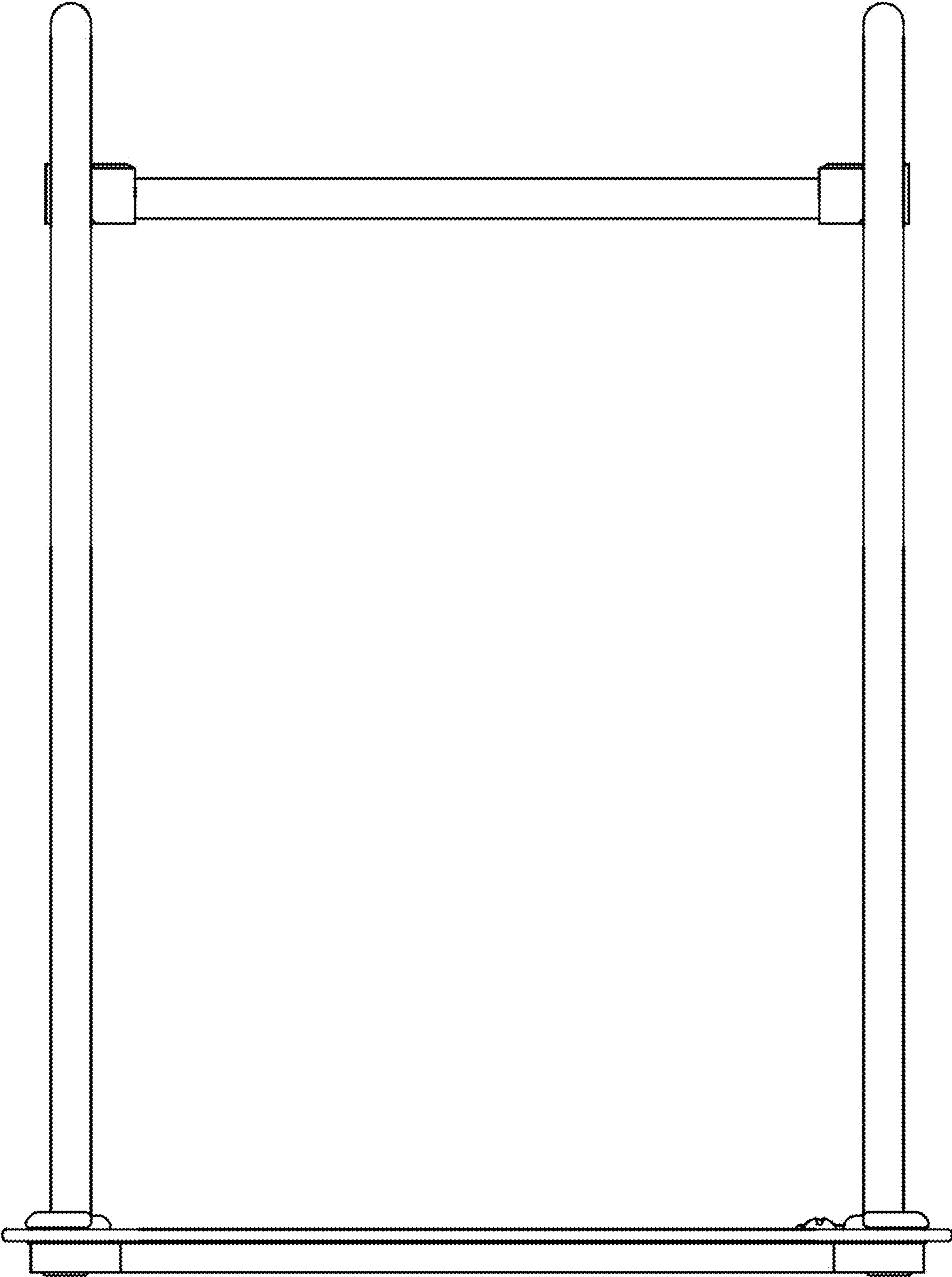
**1 Claim, 7 Drawing Sheets**



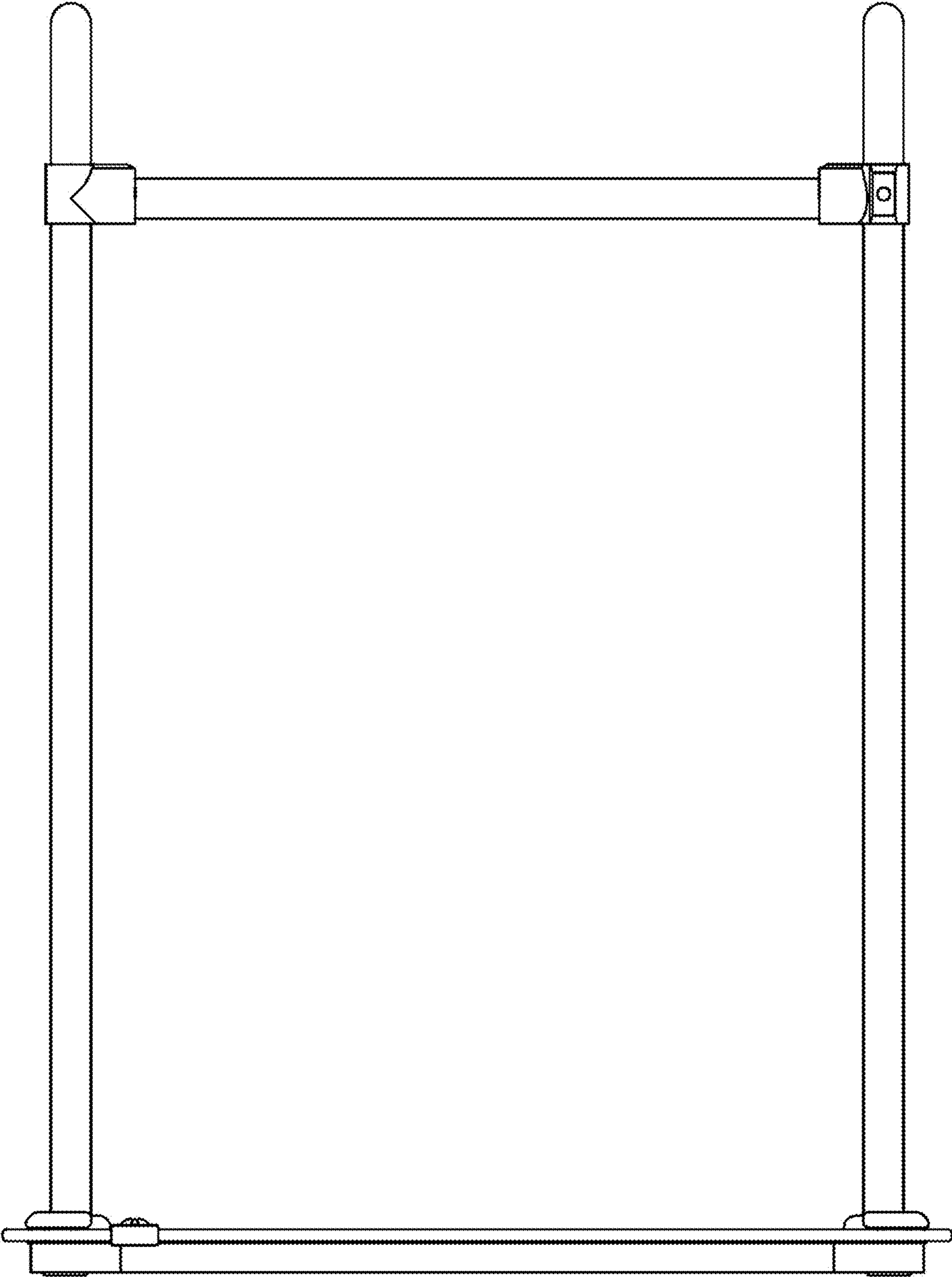
1.1



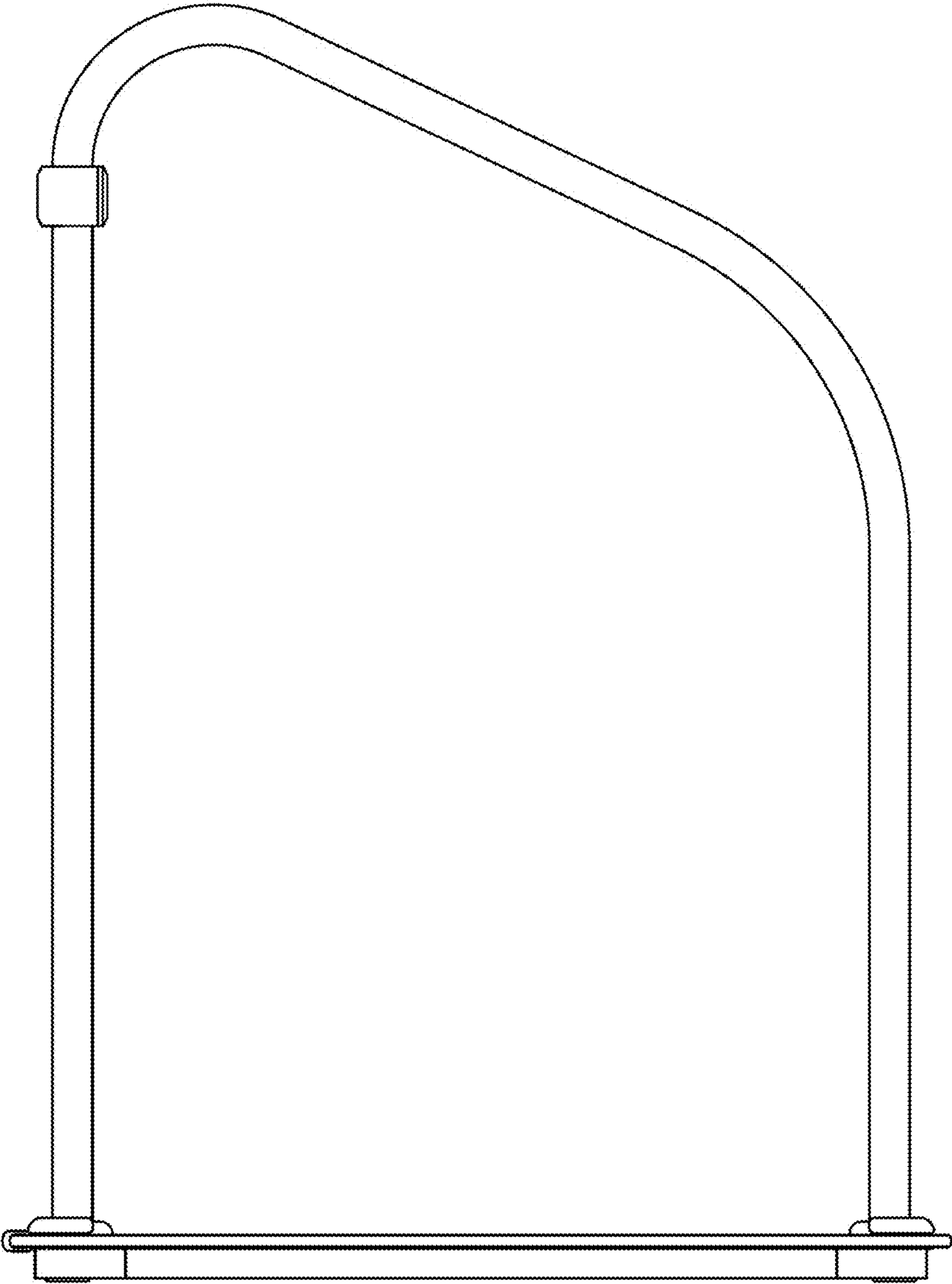
1.2



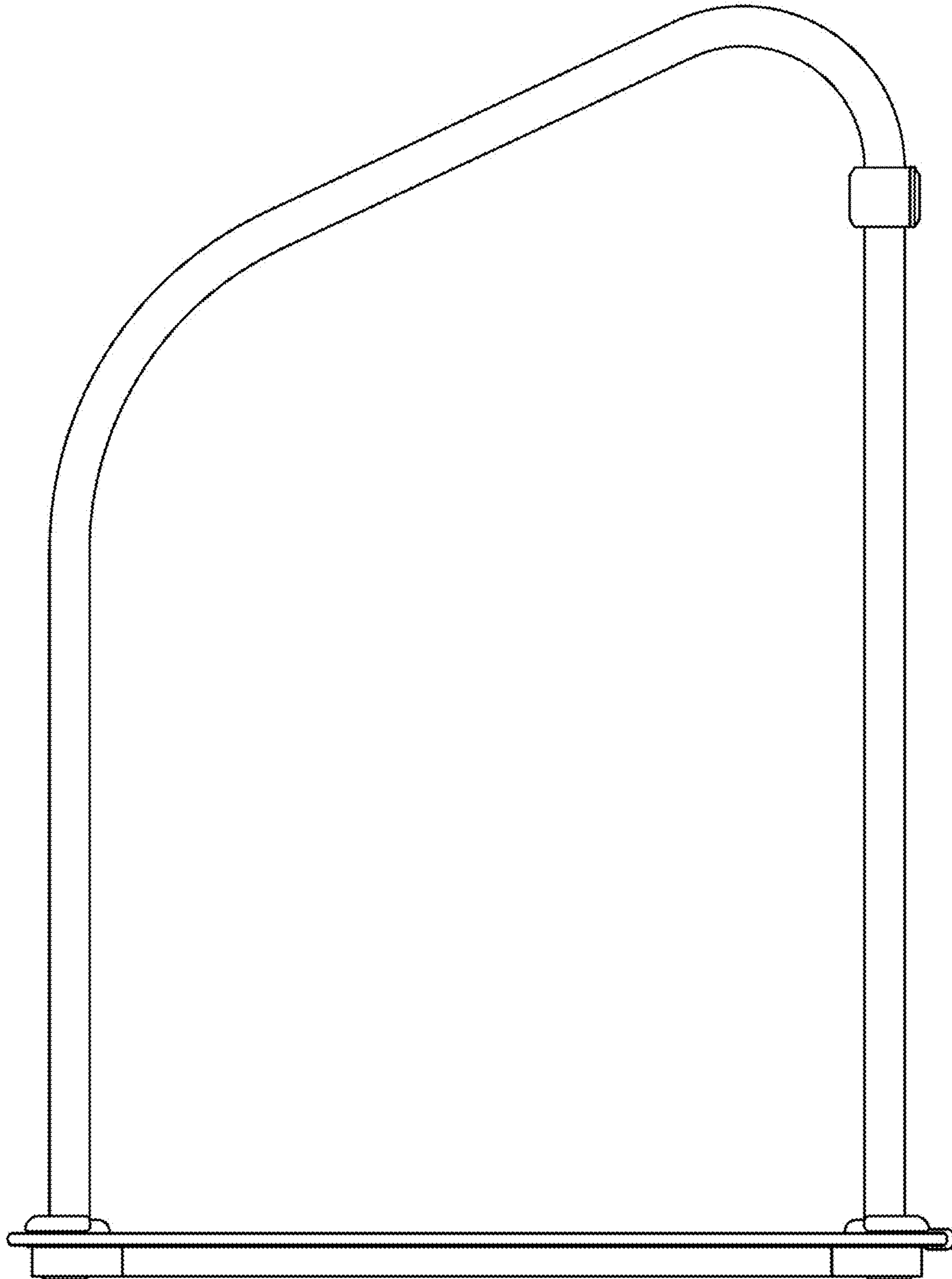
1.3



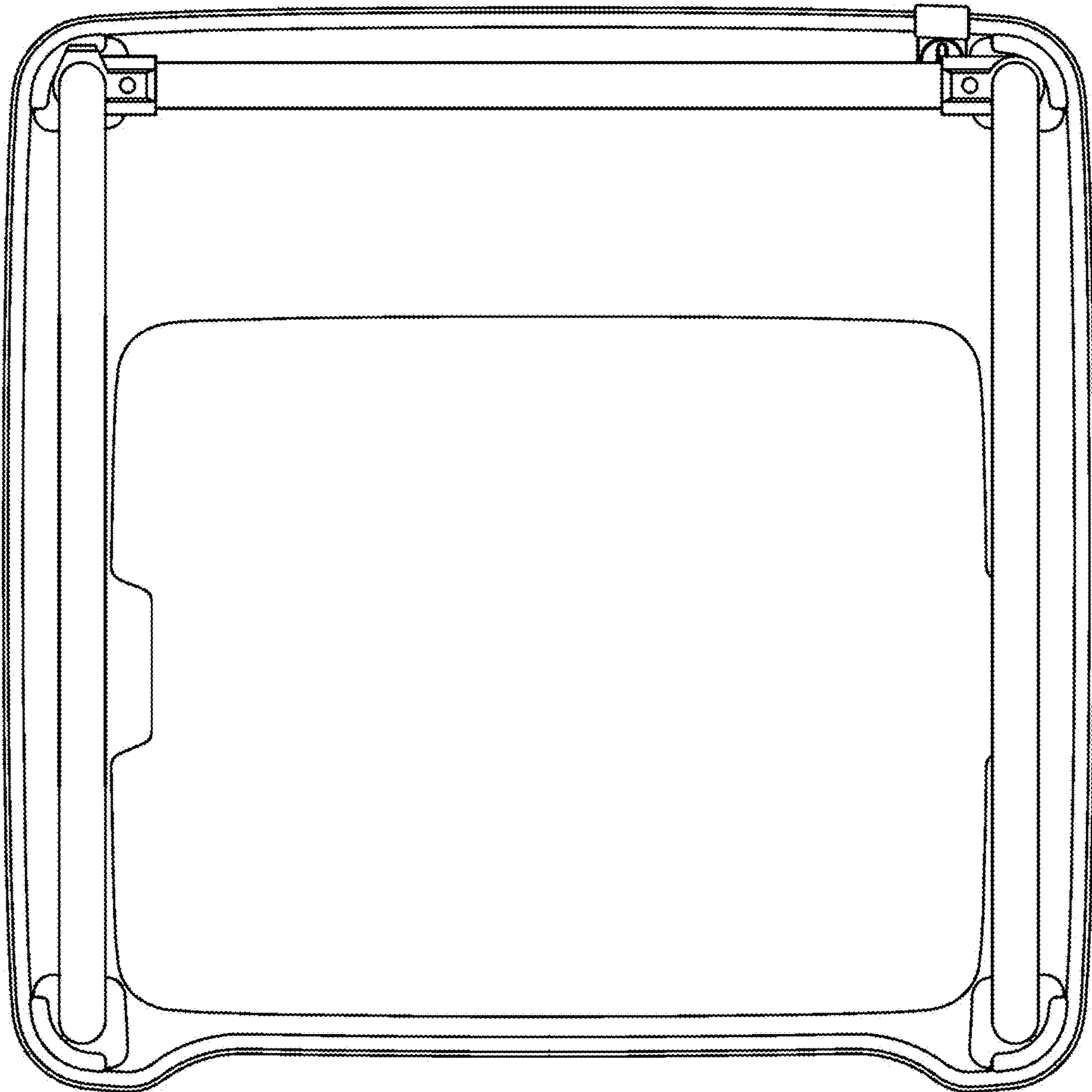
1.4



1.5



1.6



1.7

