



US00D951459S

(12) **United States Design Patent**  
**Kurthy**

(10) **Patent No.:** **US D951,459 S**

(45) **Date of Patent:** **\*\* May 10, 2022**

(54) **LOWER DENTAL IMPRESSION TRAY**

(71) Applicant: **Rodger Kurthy**, Coto de Caza, CA (US)

(72) Inventor: **Rodger Kurthy**, Coto de Caza, CA (US)

(73) Assignee: **Evolve Dental Technologies, Inc.**

(\*\*) Term: **15 Years**

(21) Appl. No.: **29/794,653**

(22) Filed: **Jun. 14, 2021**

**Related U.S. Application Data**

(63) Continuation-in-part of application No. 29/757,443, filed on Nov. 5, 2020, now Pat. No. Des. 927,696.

(51) **LOC (13) Cl.** ..... **24-02**

(52) **U.S. Cl.**  
USPC ..... **D24/181**

(58) **Field of Classification Search**  
USPC ..... D24/176, 180-181  
CPC ..... A61C 9/0006  
See application file for complete search history.

(56) **References Cited**

**U.S. PATENT DOCUMENTS**

D632,395 S *	2/2011	Massad	.....	D24/181
D686,733 S *	7/2013	Marumori	.....	D24/181
D706,937 S *	6/2014	Suga	.....	D24/181
9,433,483 B2 *	9/2016	Suga	.....	A61C 9/0006
10,582,989 B2 *	3/2020	Wallace	.....	A61C 9/0006
D927,697 S *	8/2021	Kurthy	.....	D24/181
2012/0148978 A1 *	6/2012	Suchan	.....	A61C 9/0006
				433/38
2020/0315756 A1 *	10/2020	Wallace	.....	A61C 9/0006
2021/0153984 A1 *	5/2021	Mahn	.....	A61C 9/0006

\* cited by examiner

*Primary Examiner* — Wan Laymon

(74) *Attorney, Agent, or Firm* — QuickPatents, LLC; Kevin Prince

(57) **CLAIM**

The ornamental design for a lower dental impression tray, as shown and described.

**DESCRIPTION**

FIG. 1 is a rear top perspective view of a lower dental impression tray, showing a first embodiment of my new design;

FIG. 2 is a front top perspective view of FIG. 1;

FIG. 3 is a rear bottom perspective view of FIG. 1;

FIG. 4 is a front bottom perspective view of FIG. 1;

FIG. 5 is a rear elevational view of FIG. 1;

FIG. 6 is a front elevational view of FIG. 1;

FIG. 7 is a right-side elevational view of FIG. 1;

FIG. 8 is a left-side elevational view of FIG. 1;

FIG. 9 is a top plan view of FIG. 1;

FIG. 10 is a bottom plan view of FIG. 1;

FIG. 11 is a rear top perspective view of a lower dental impression tray, showing a second embodiment of my new design;

FIG. 12 is a front top perspective view of FIG. 11;

FIG. 13 is a rear bottom perspective view of FIG. 11;

FIG. 14 is a front bottom perspective view of FIG. 11;

FIG. 15 is a rear elevational view of FIG. 11;

FIG. 16 is a front elevational view of FIG. 11;

FIG. 17 is a right-side elevational view of FIG. 11;

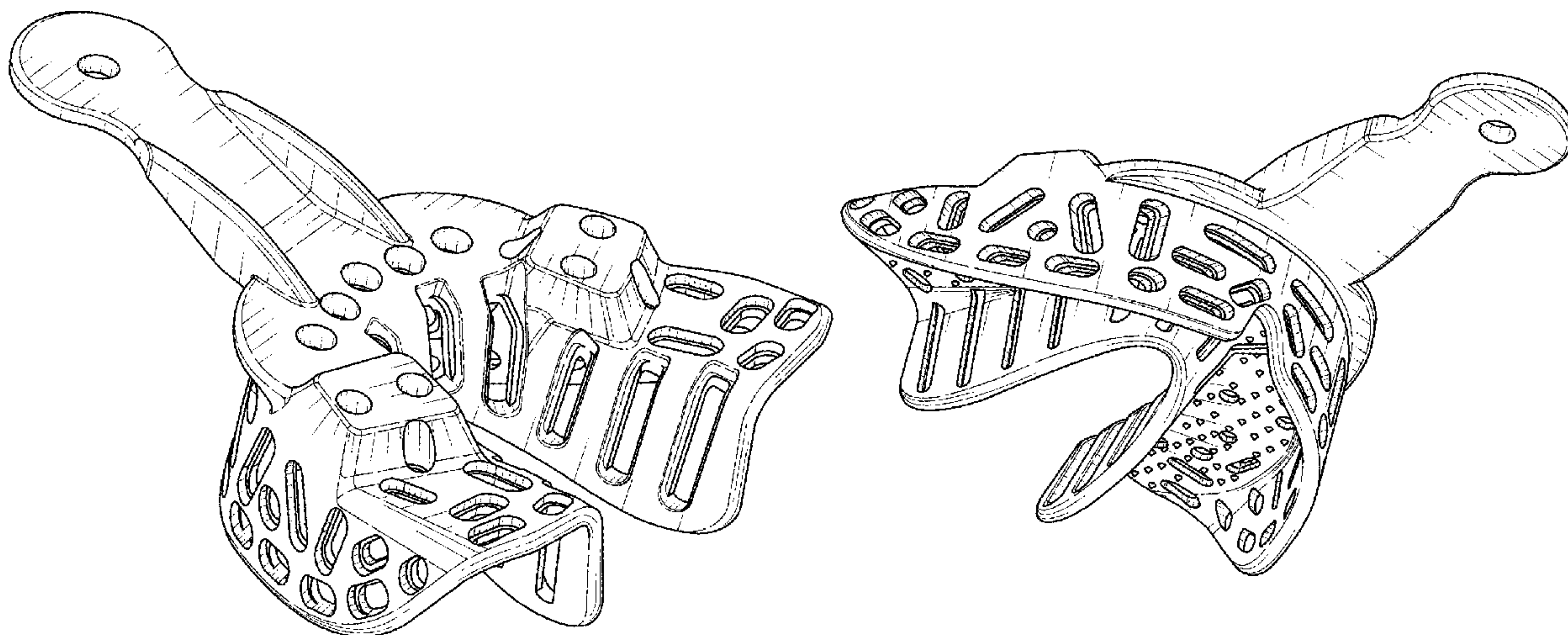
FIG. 18 is a left-side elevational view of FIG. 11;

FIG. 19 is a top plan view of FIG. 11; and,

FIG. 20 is a bottom plan view of FIG. 11.

The broken lines in the figures depict portions of the upper dental impression tray that form no part of the claimed design. The dot-dash broken line represents a boundary of the claimed design.

**1 Claim, 10 Drawing Sheets**



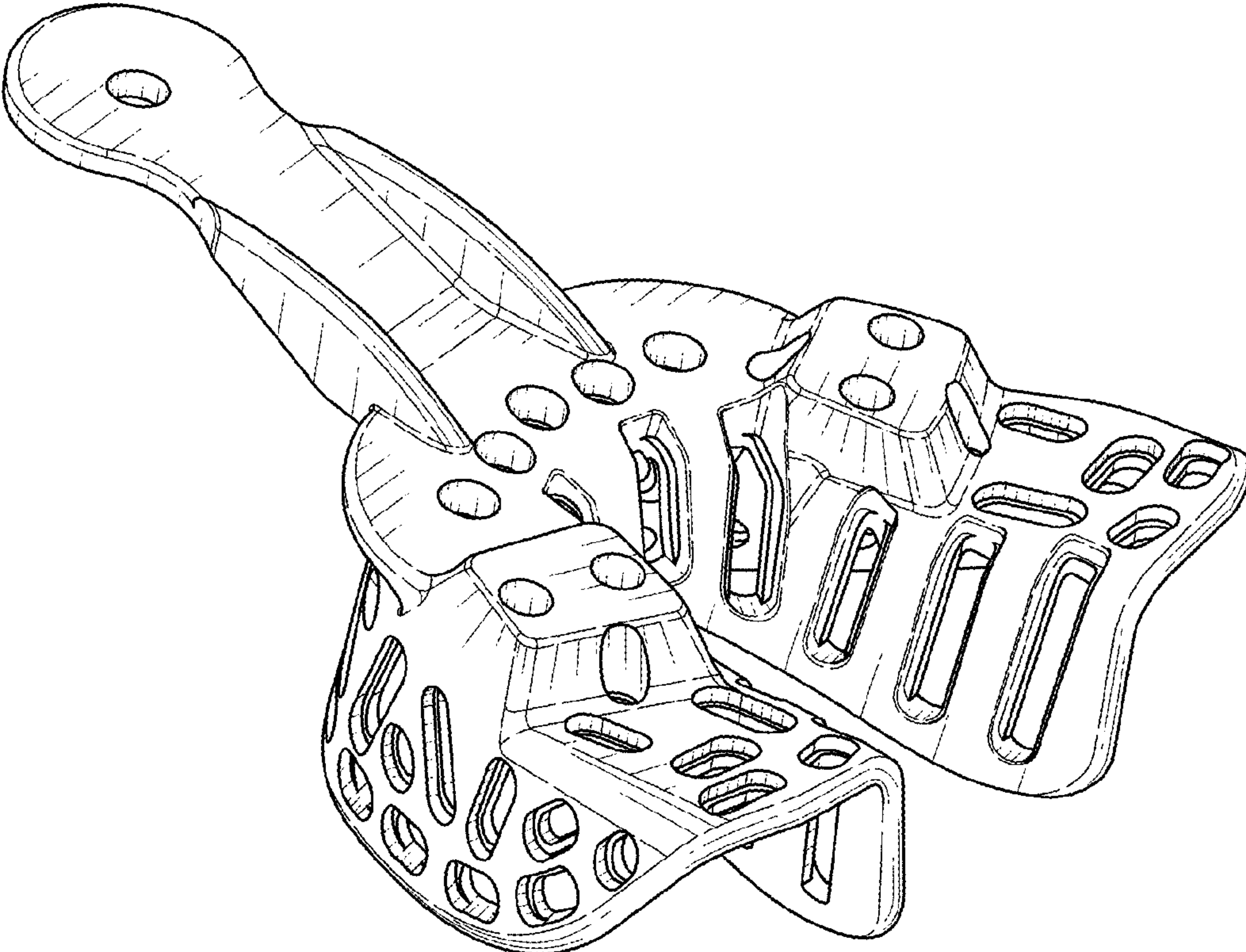


FIG. 1

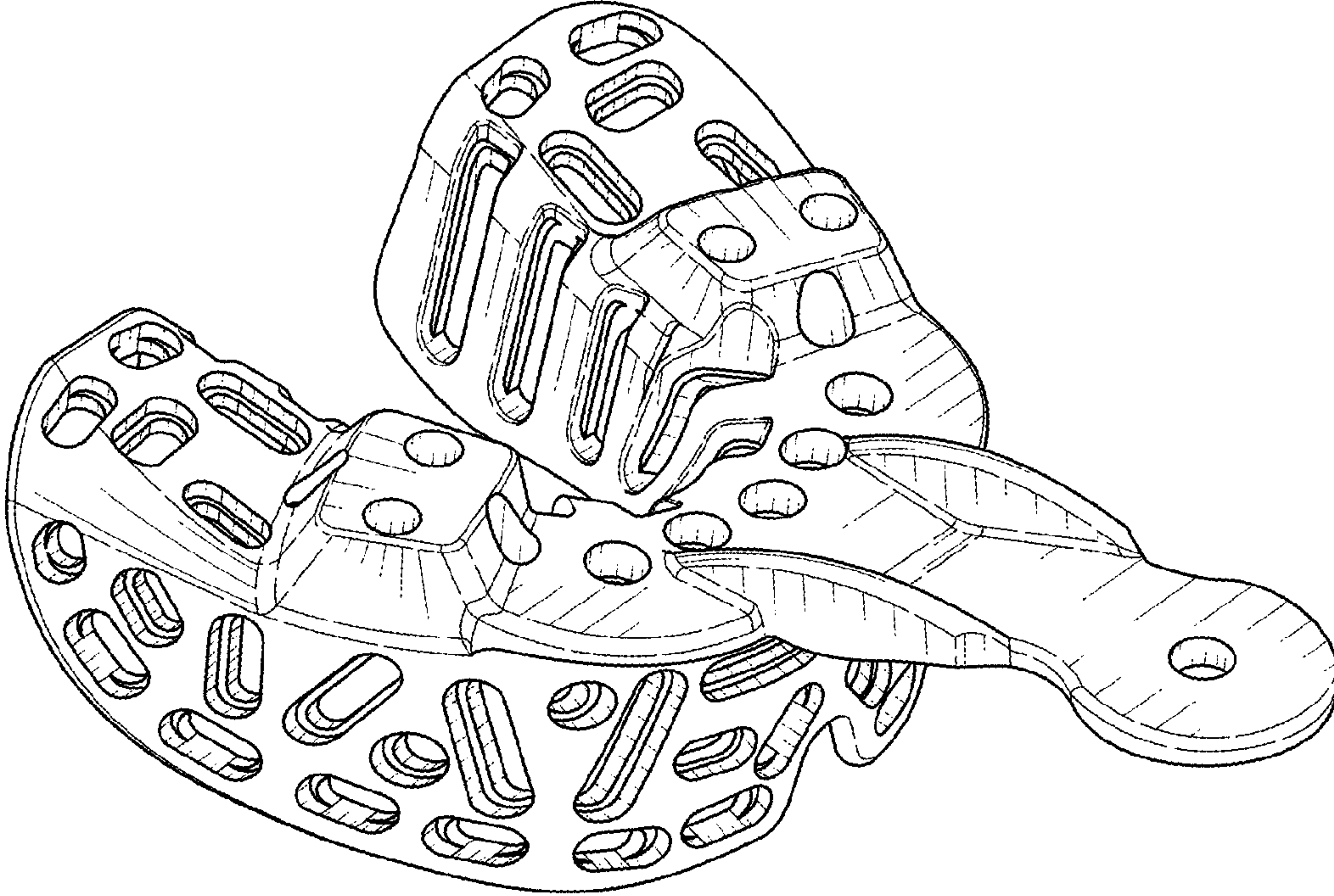


FIG. 2



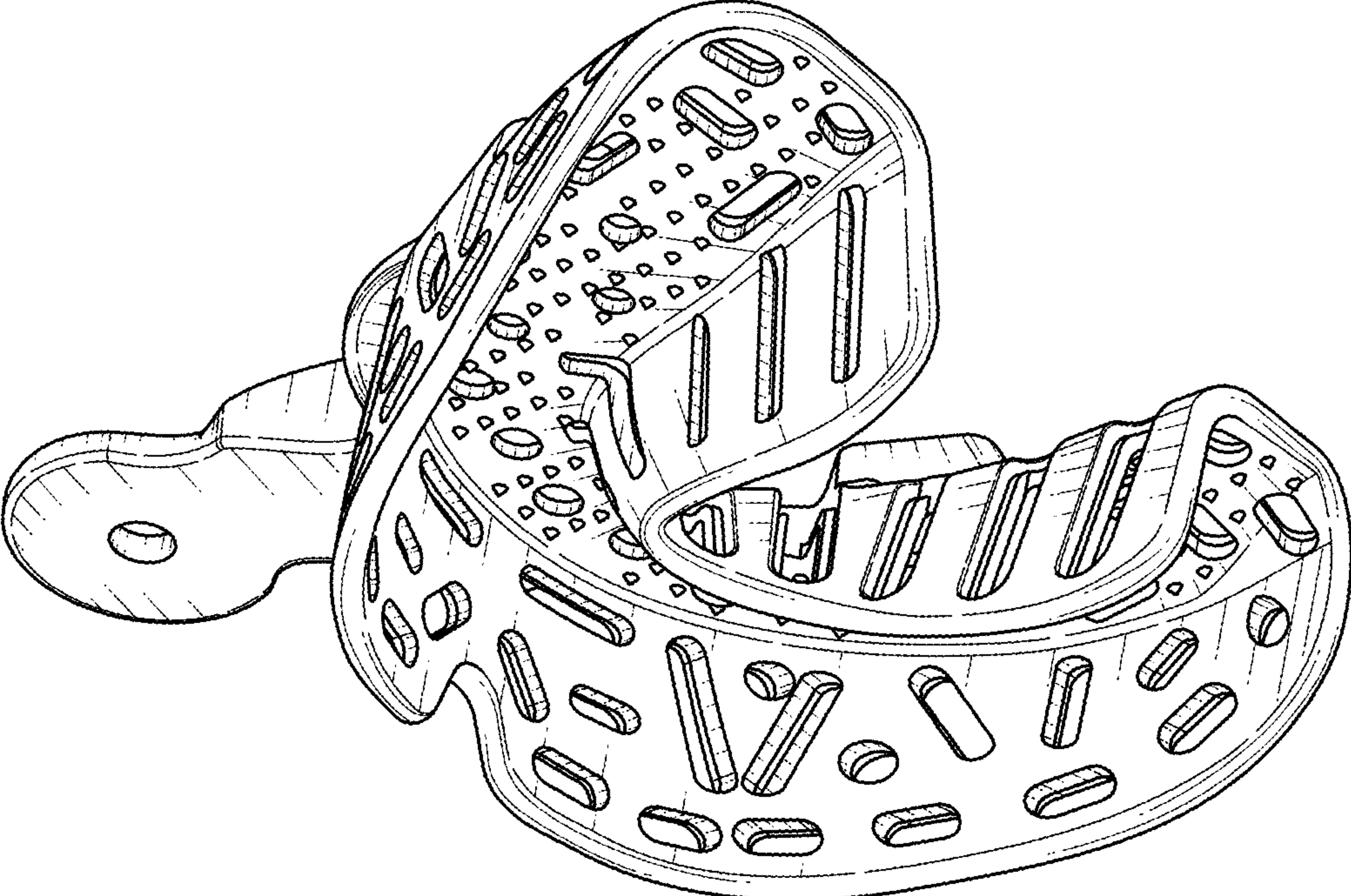


FIG. 3

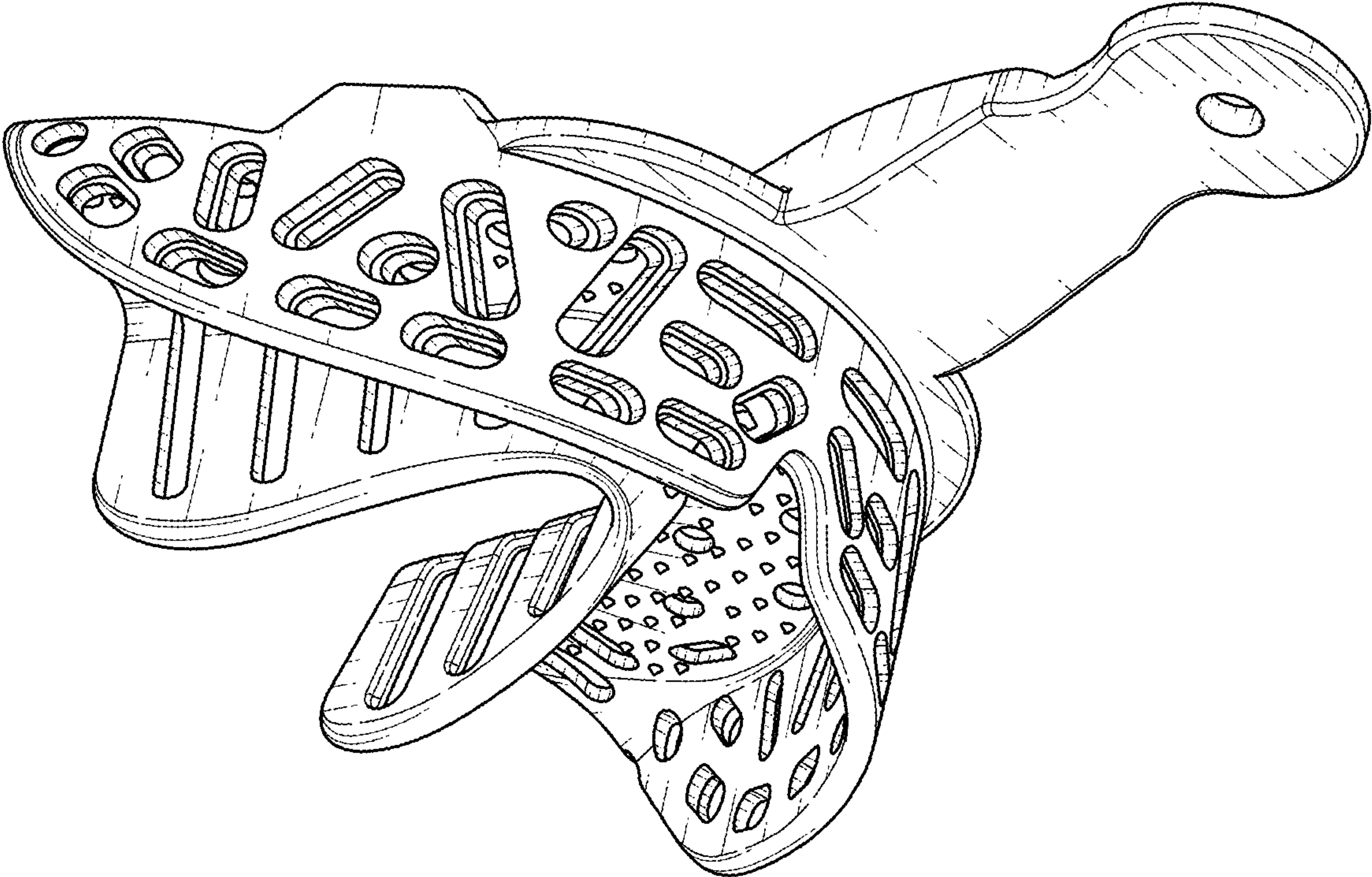


FIG. 4

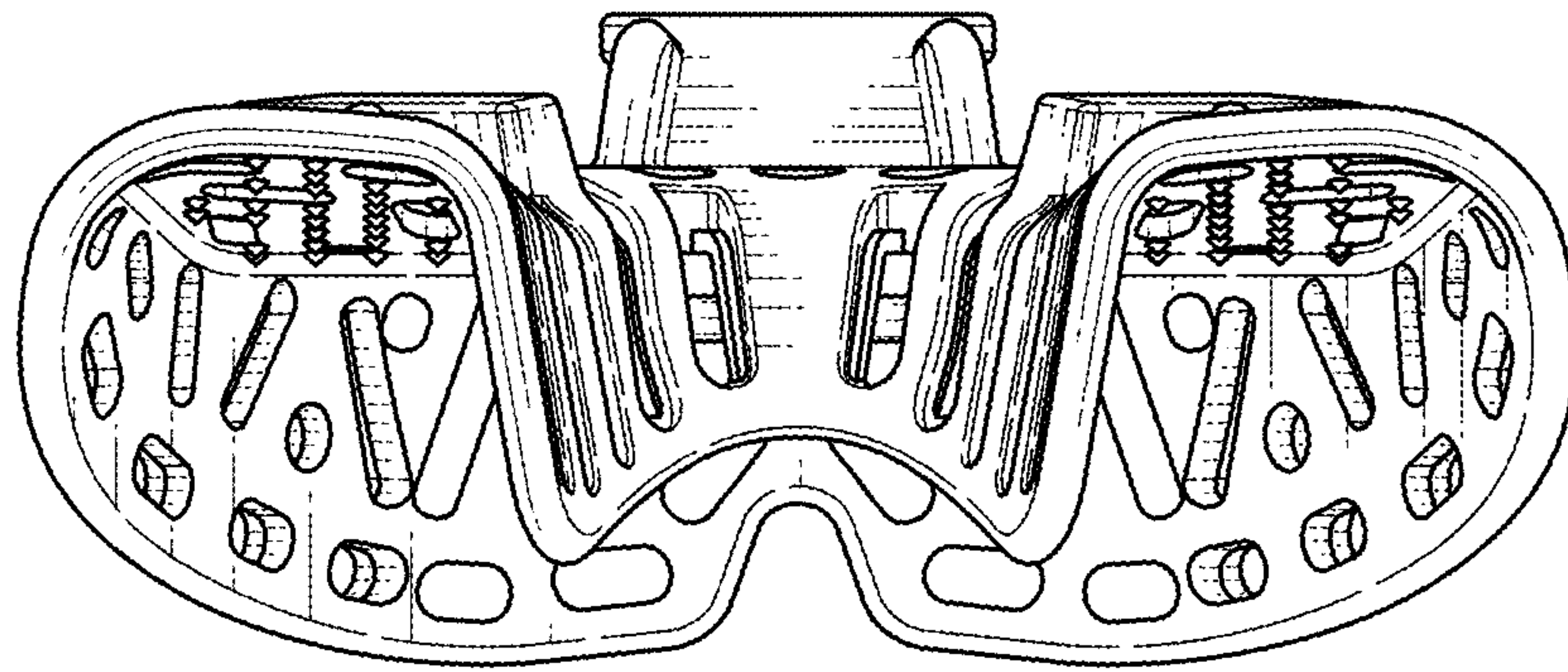


FIG. 5

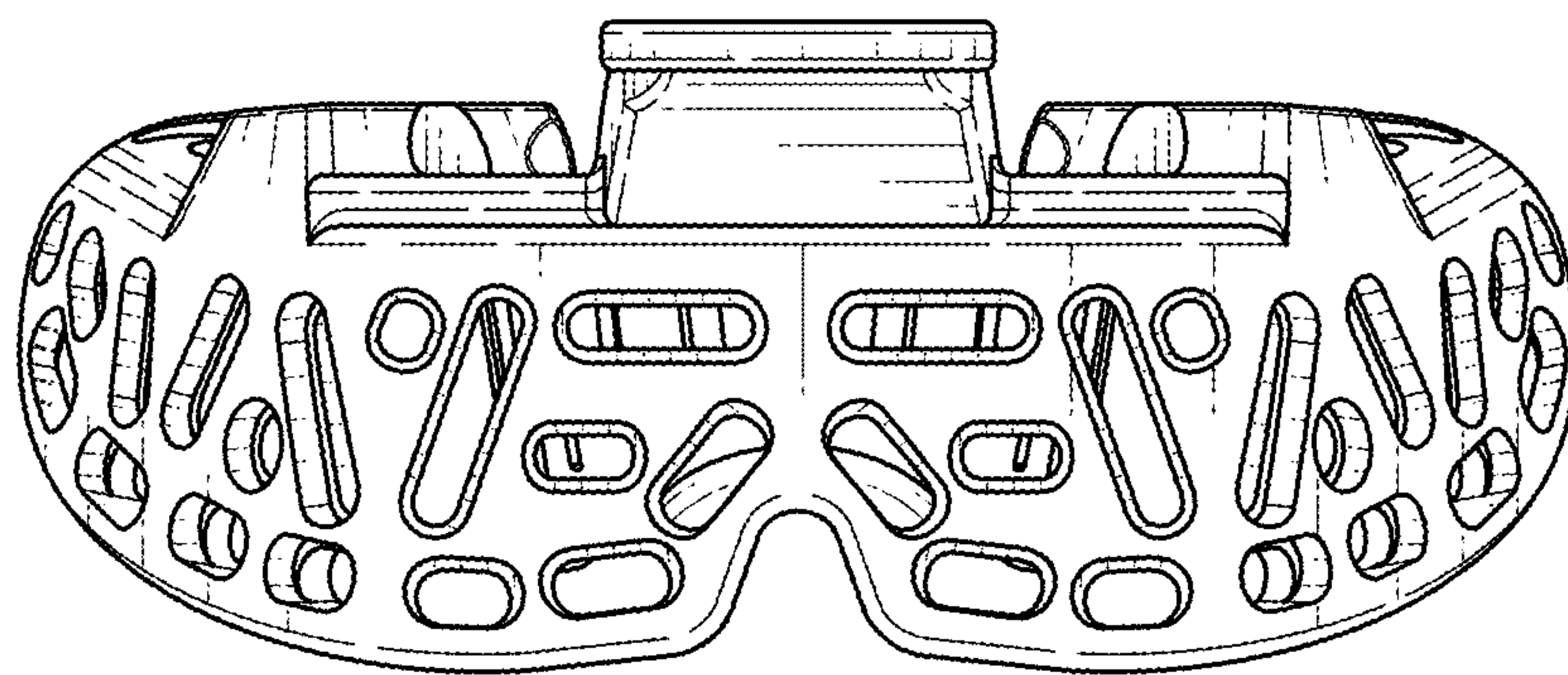


FIG. 6

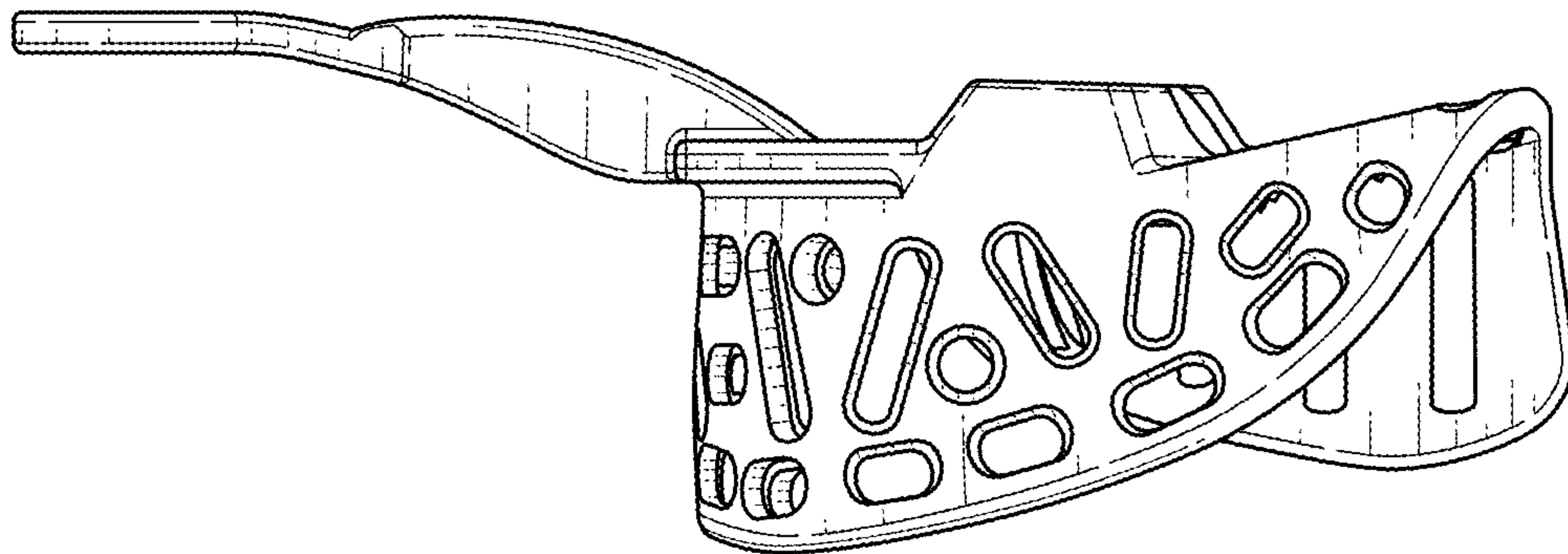


FIG. 7

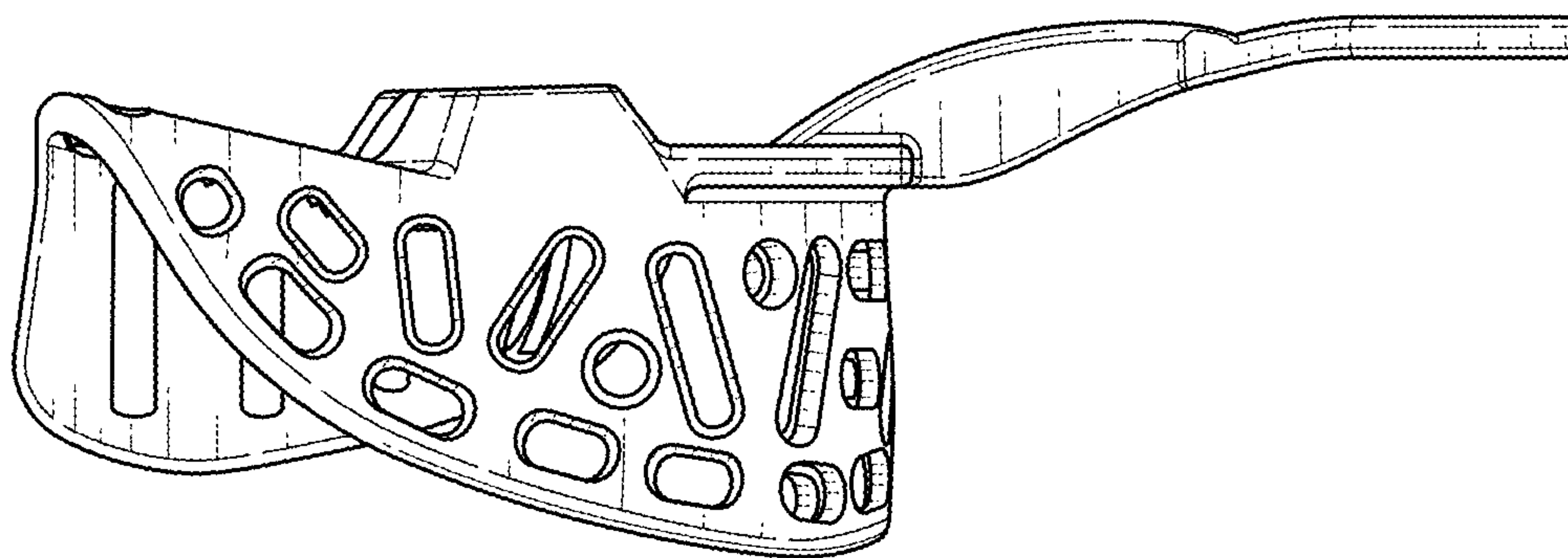


FIG. 8



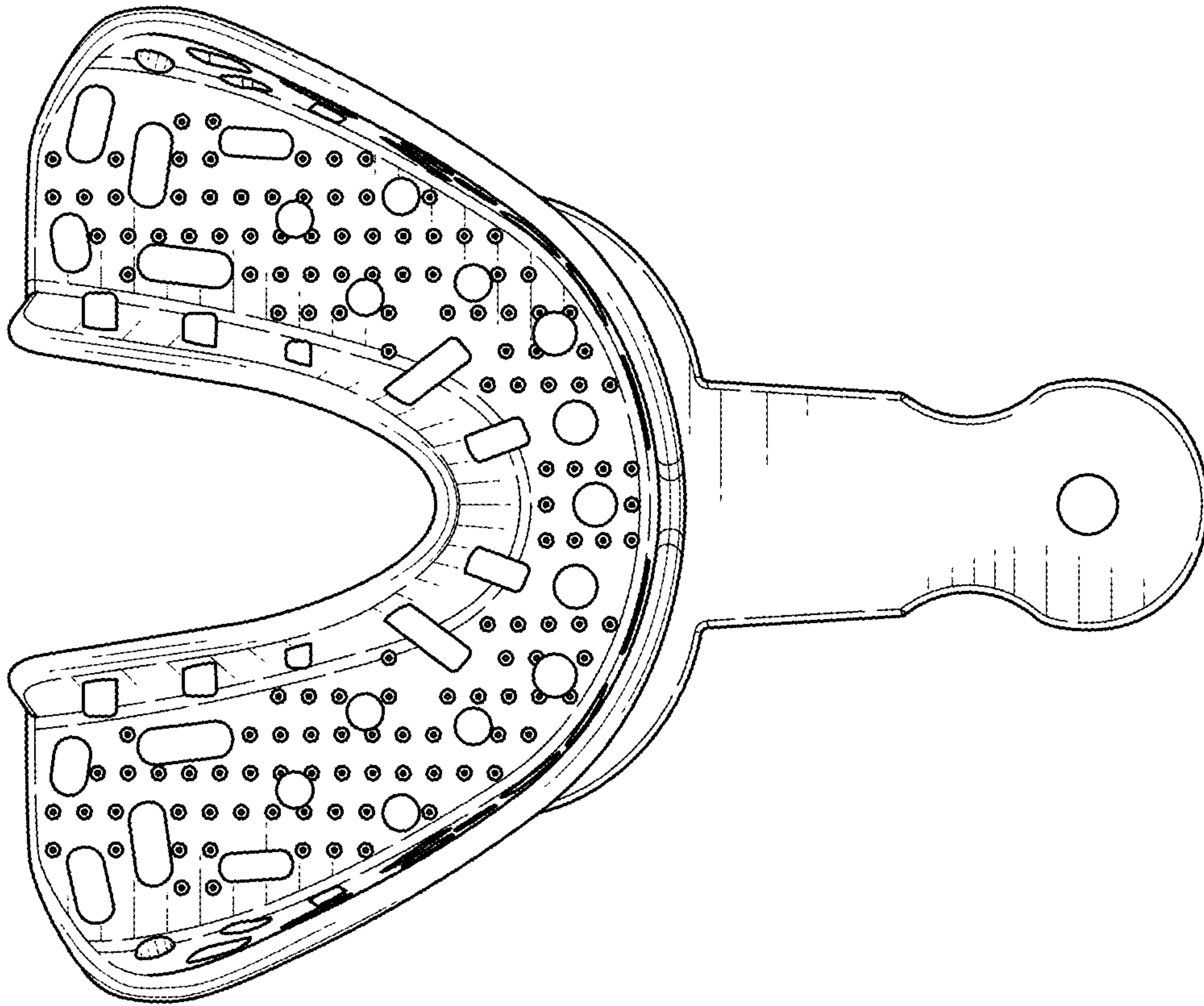


FIG. 10

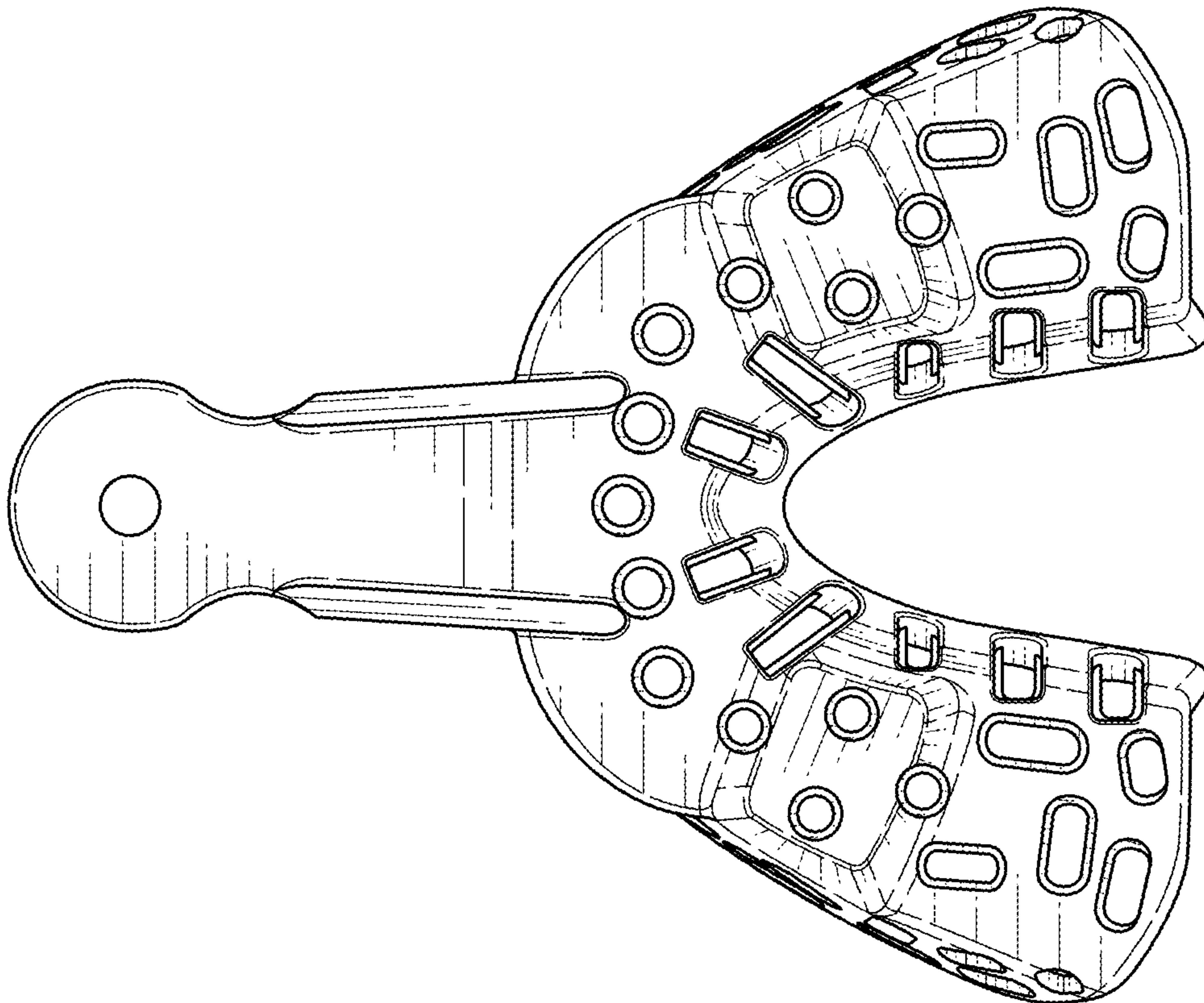


FIG. 9

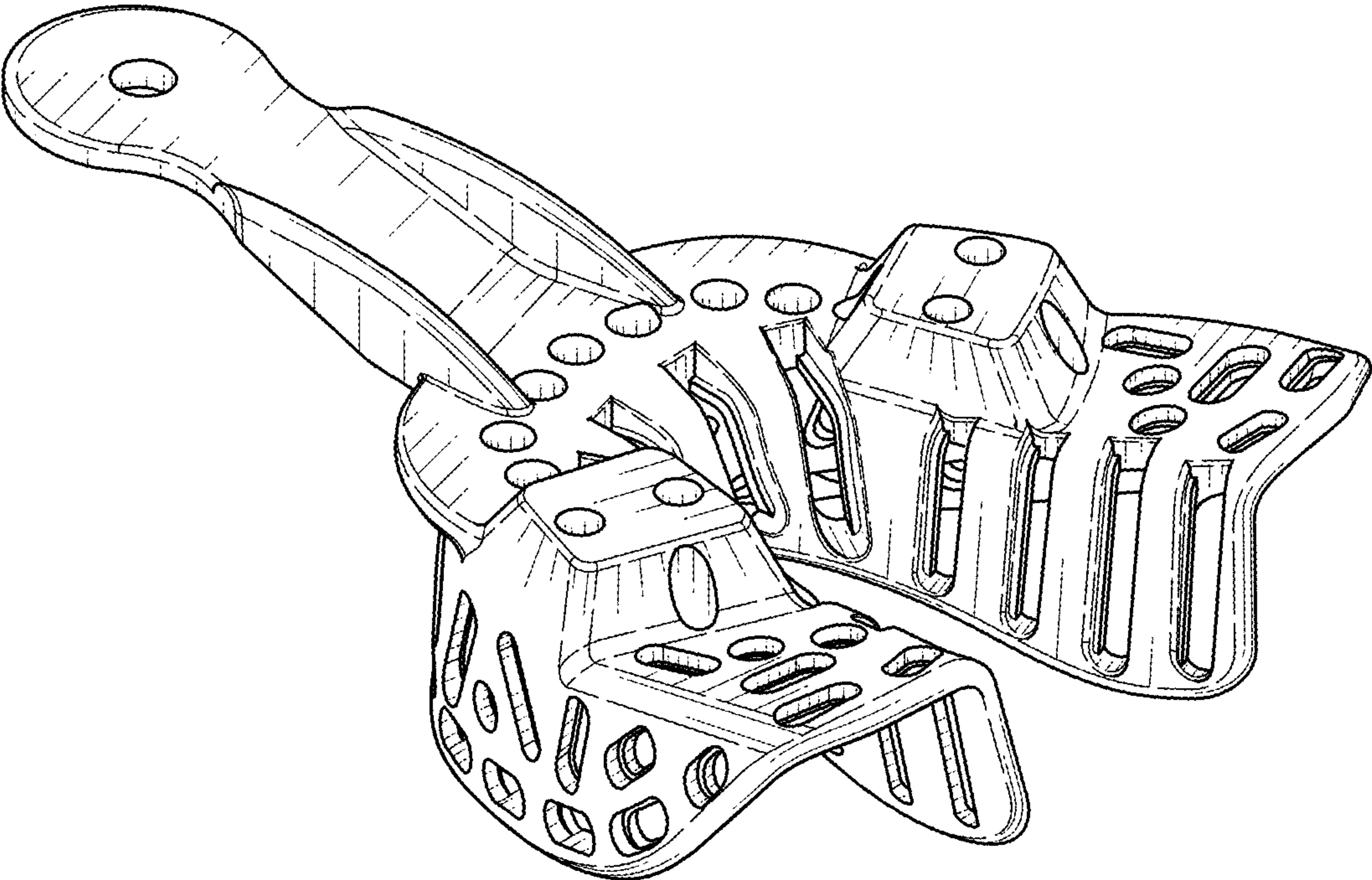


FIG. 11

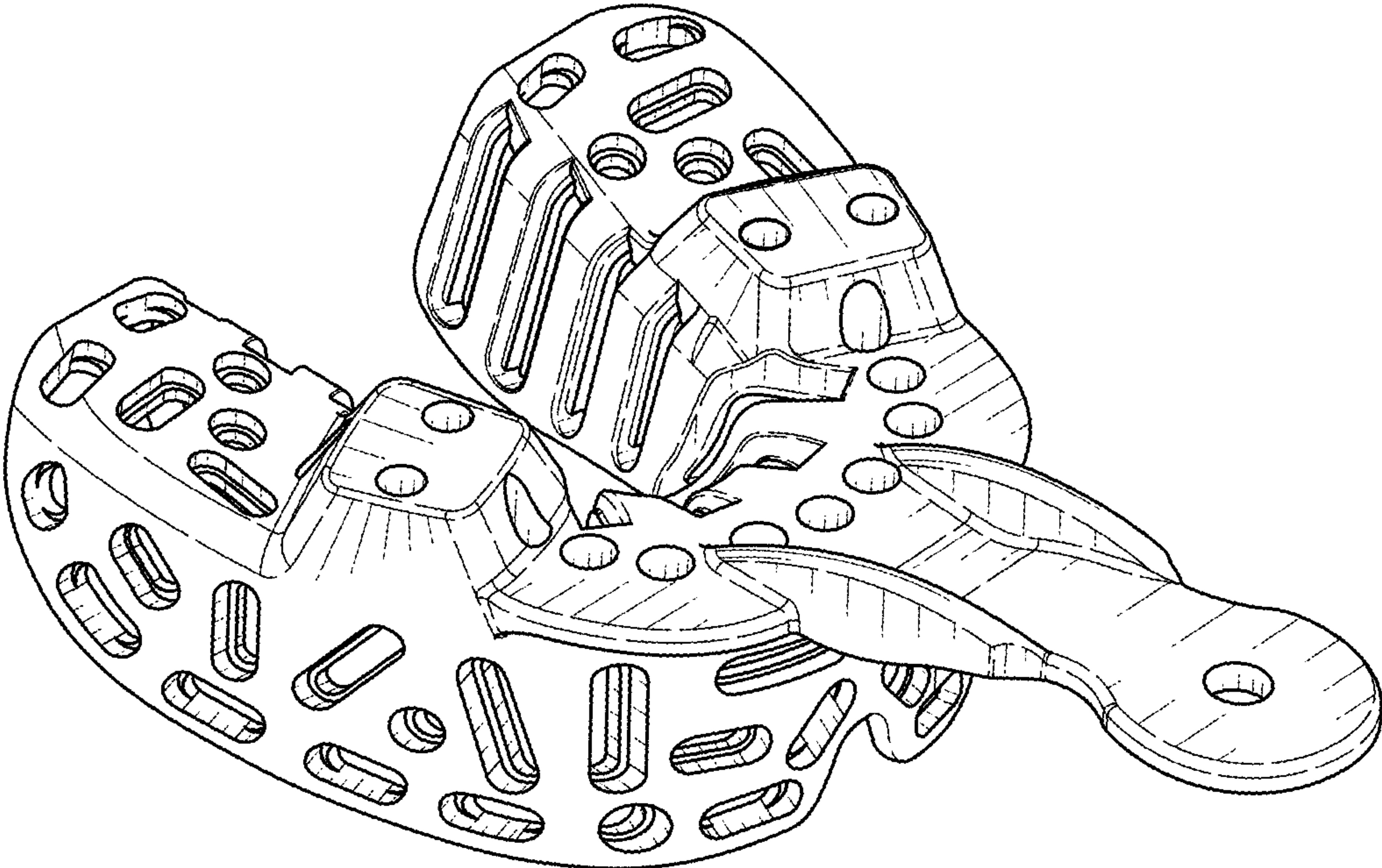


FIG. 12



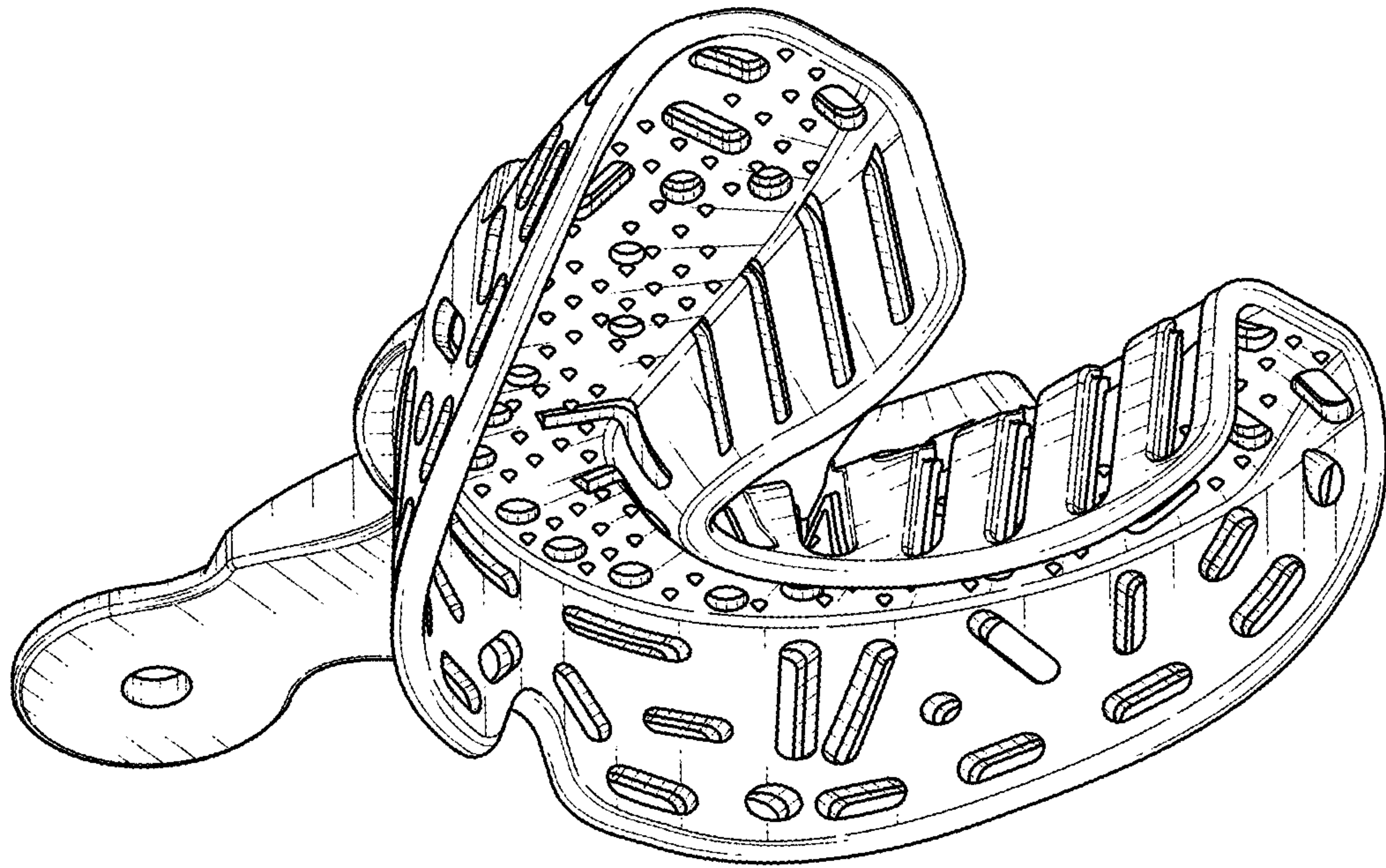


FIG. 13

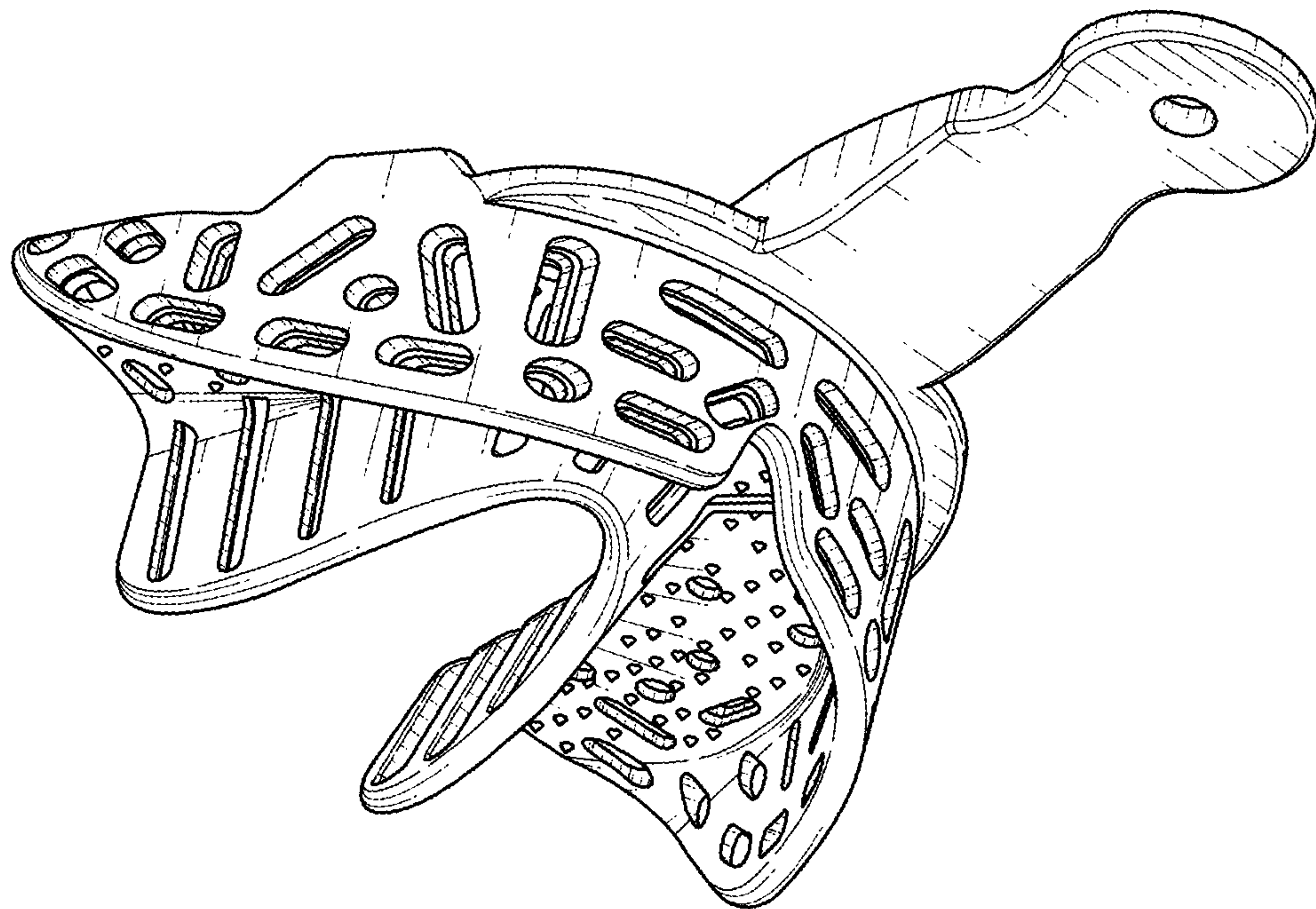


FIG. 14



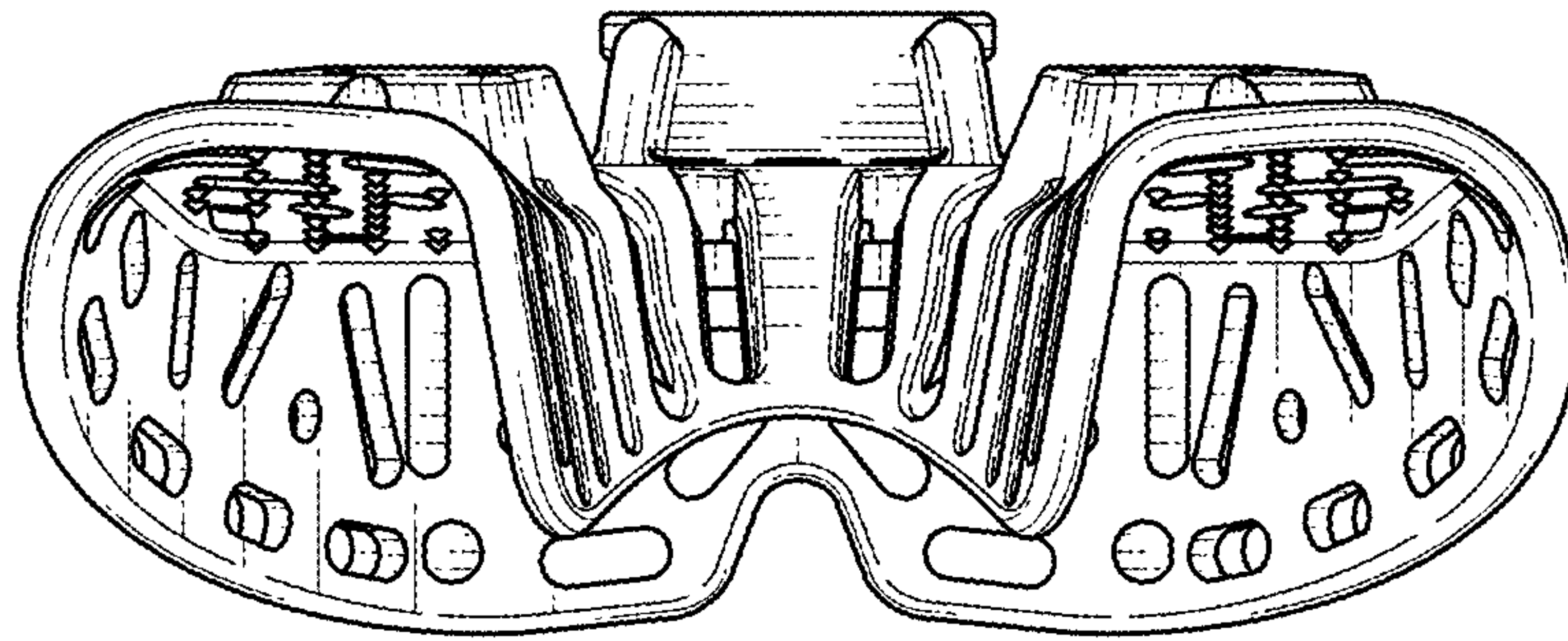


FIG. 15

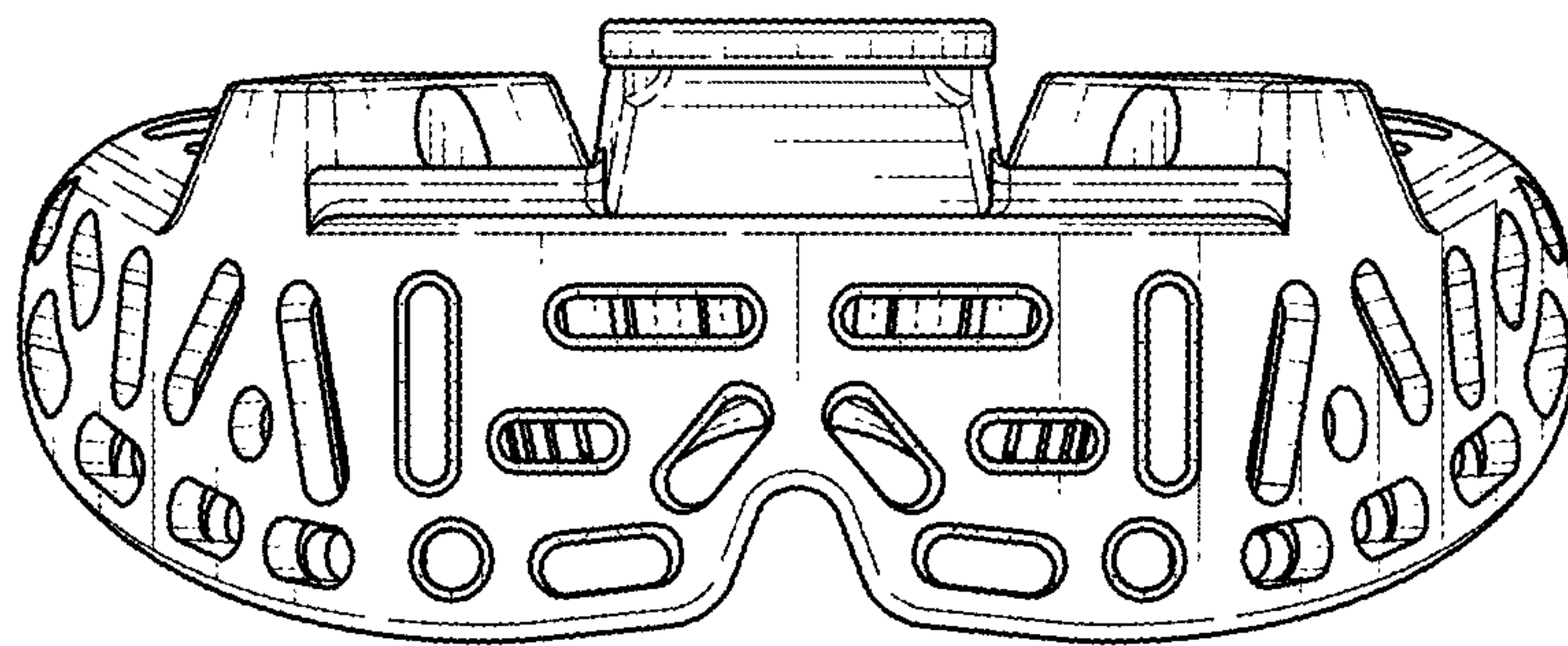


FIG. 16

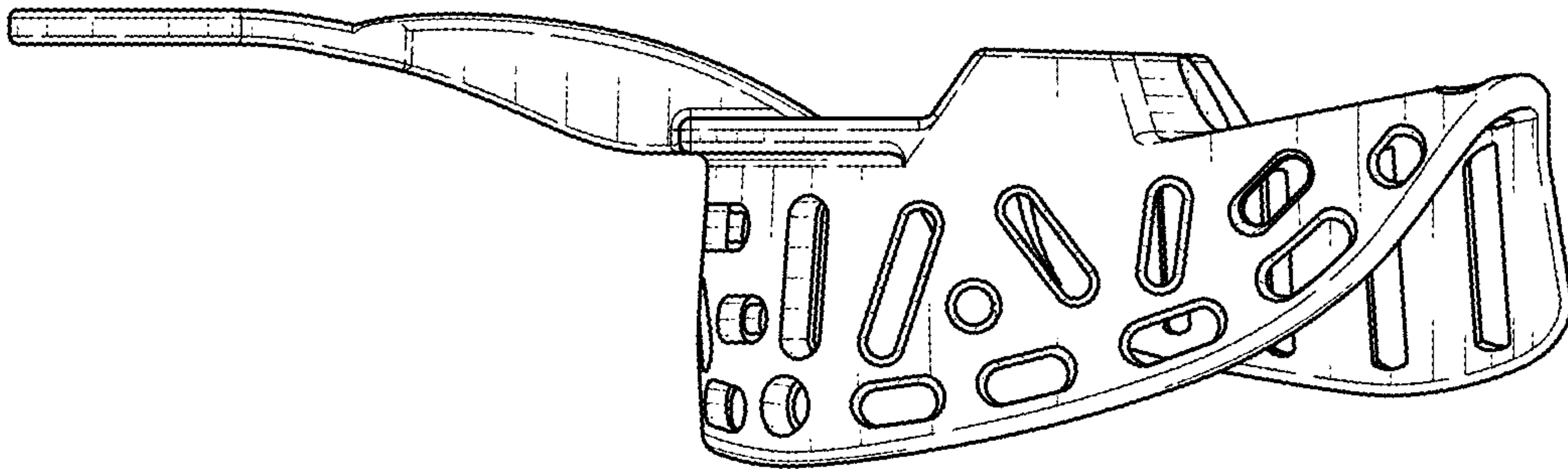


FIG. 17

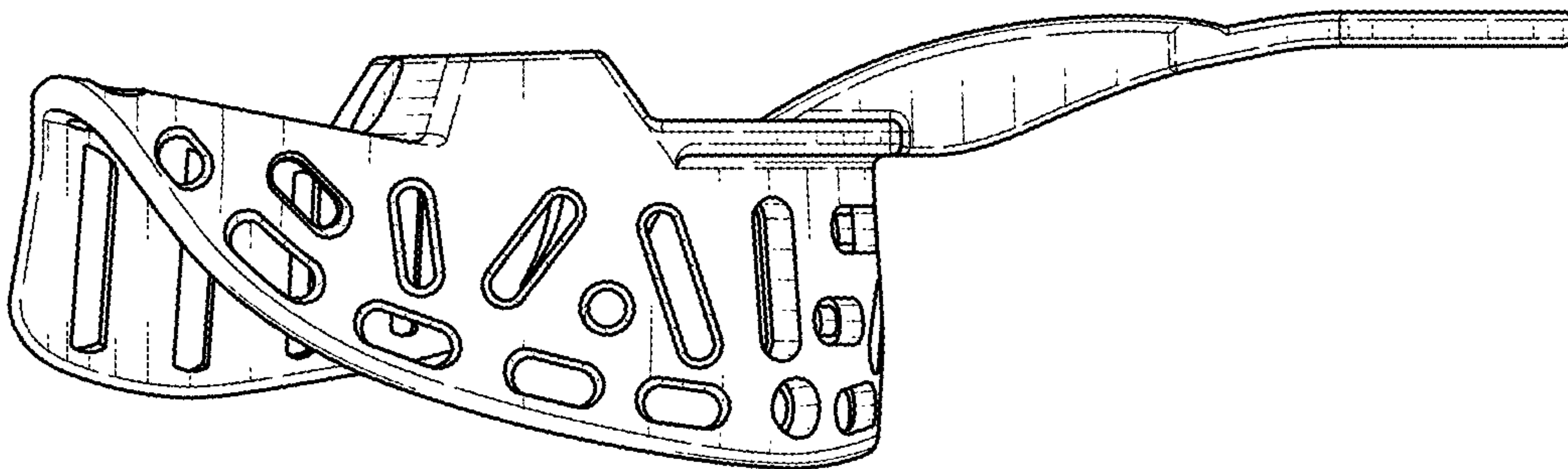


FIG. 18



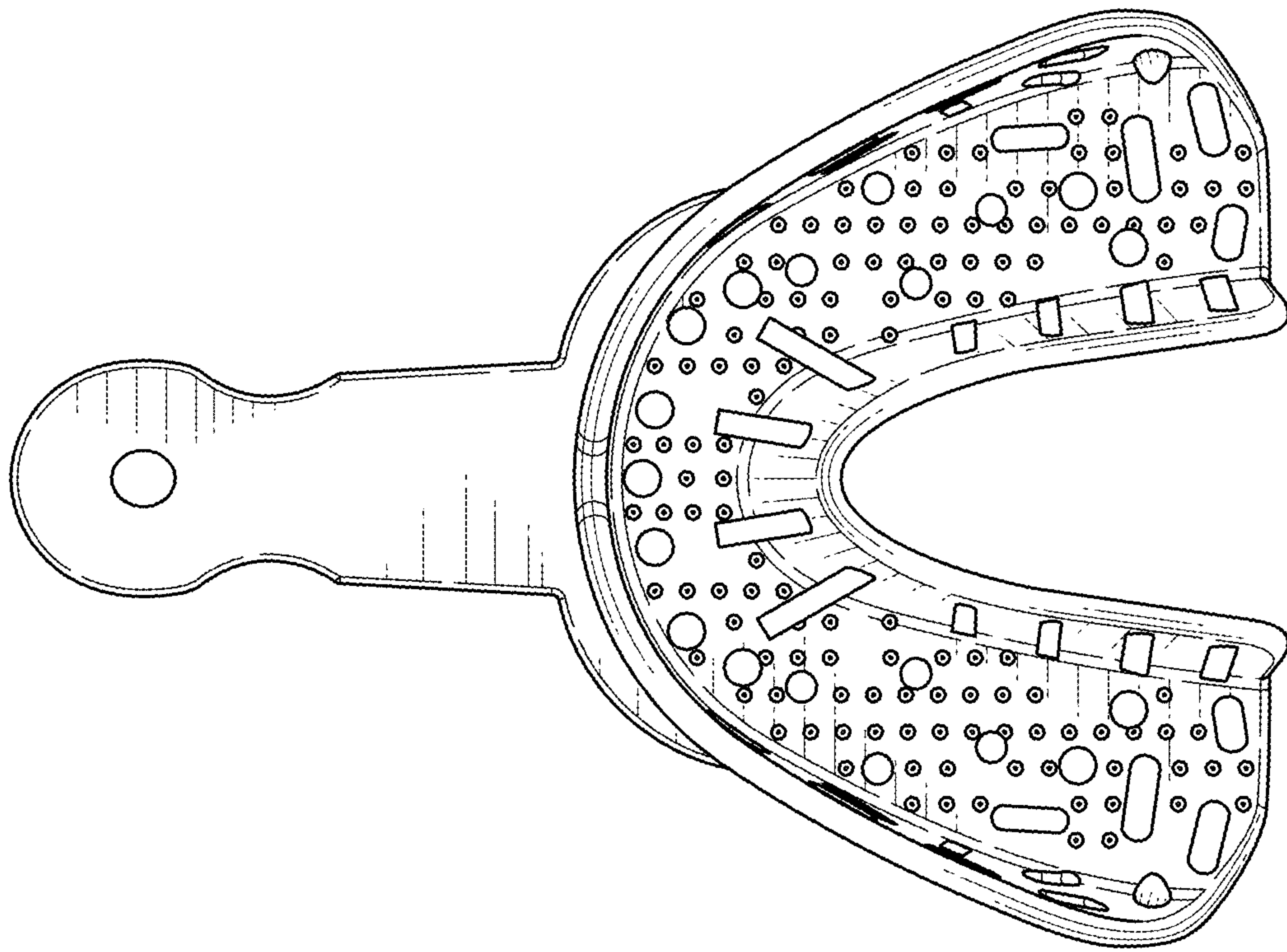


FIG. 20

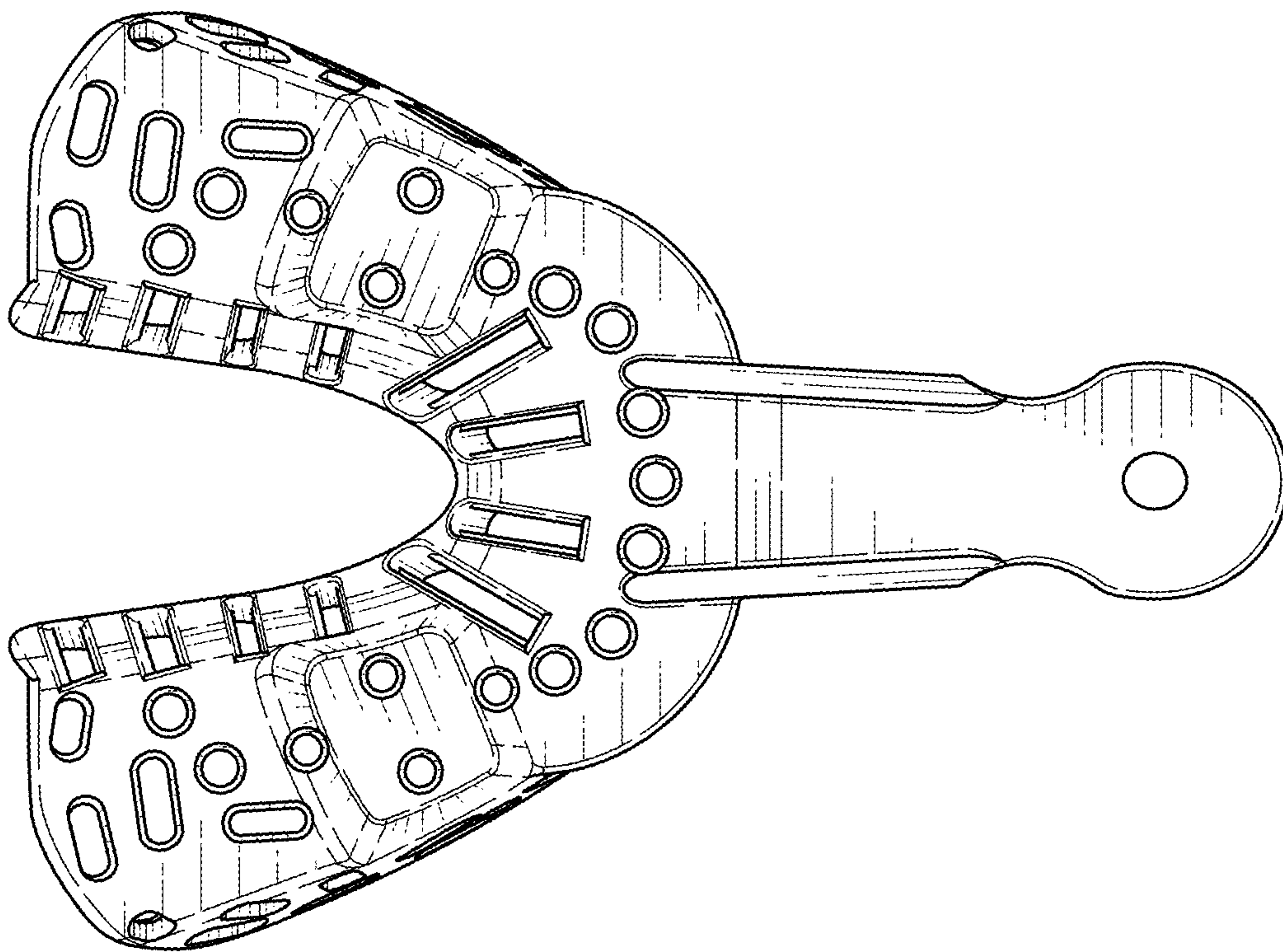


FIG. 19