



US00D951455S

(12) **United States Design Patent** (10) **Patent No.:** **US D951,455 S**  
**Ginn** (45) **Date of Patent:** **\*\* May 10, 2022**

(54) **SACROILIAC JOINT STABILIZATION PROSTHESIS**

(71) Applicant: **Tenon Medical, Inc.**, Los Gatos, CA (US)

(72) Inventor: **Richard S Ginn**, Gilroy, CA (US)

(73) Assignee: **Tenon Medical, Inc.**, Los Gatos, CA (US)

(\*\*) Term: **15 Years**

(21) Appl. No.: **29/816,176**

(22) Filed: **Nov. 19, 2021**

**Related U.S. Application Data**

(63) Continuation of application No. 17/463,831, filed on Sep. 1, 2021, which is a continuation-in-part of application No. 13/857,977, filed on Apr. 5, 2013, now Pat. No. 11,273,042, which is a continuation of application No. 13/192,289, filed on Jul. 27, 2011, now abandoned.

(51) **LOC (13) Cl.** ..... **24-03**

(52) **U.S. Cl.**  
USPC ..... **D24/155**

(58) **Field of Classification Search**  
USPC ..... D24/155  
CPC ..... A61F 2/4611; A61F 2/442; A61F 2/447;  
A61F 2220/0025; A61F 2310/00023;  
A61F 2310/00017  
See application file for complete search history.

(56) **References Cited**

U.S. PATENT DOCUMENTS

D277,316	S	*	1/1985	Meares	.....	D6/601
D697,209	S	*	1/2014	Walthall, Jr.	.....	D24/155
D738,498	S	*	9/2015	Frey	.....	D24/140
9,381,045	B2	*	7/2016	Donner	.....	A61F 2/44
10,531,958	B2	*	1/2020	Pavlov	.....	A61F 2/4611
10,779,958	B2	*	9/2020	Lins	.....	A61F 2/4601
2014/0142700	A1	*	5/2014	Donner	.....	A61F 2/4611 623/17.11
2018/0014939	A1	*	1/2018	Arnold	.....	A61F 2/30988
2019/0262048	A1	*	8/2019	Sutika	.....	A61B 17/8635

\* cited by examiner

*Primary Examiner* — Charles D Hanson

(74) *Attorney, Agent, or Firm* — Francis Law Group

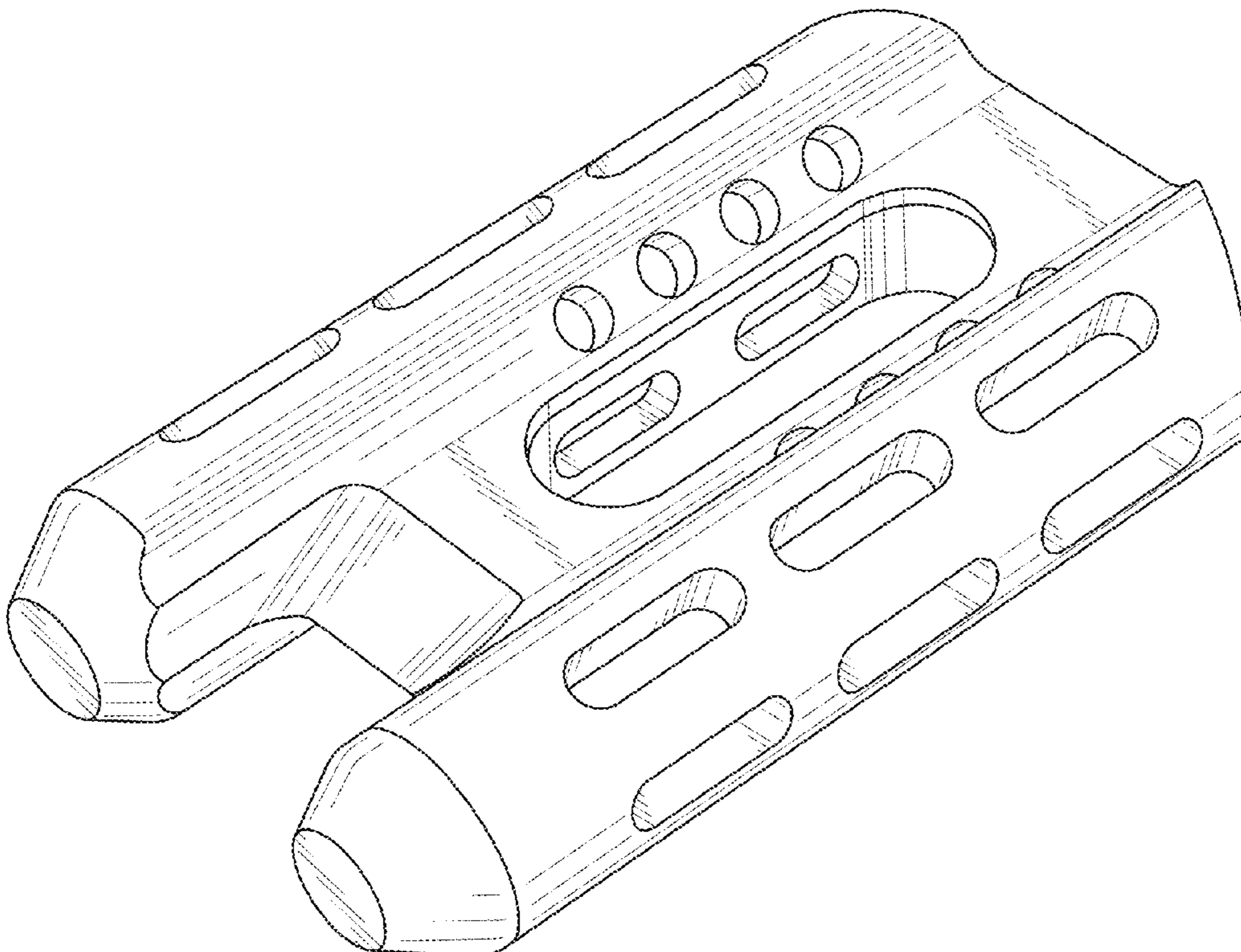
(57) **CLAIM**

I claim the ornamental design for a sacroiliac joint stabilization prosthesis, as shown and described.

**DESCRIPTION**

FIG. 1 is a top perspective view of my design for a sacroiliac joint stabilization prosthesis;  
FIG. 2 is a top plan view thereof;  
FIG. 3 is a bottom plan view thereof;  
FIG. 4 is a front view thereof;  
FIG. 5 is a rear view thereof;  
FIG. 6 is a left side view thereof; and,  
FIG. 7 is a right side view thereof.

**1 Claim, 5 Drawing Sheets**



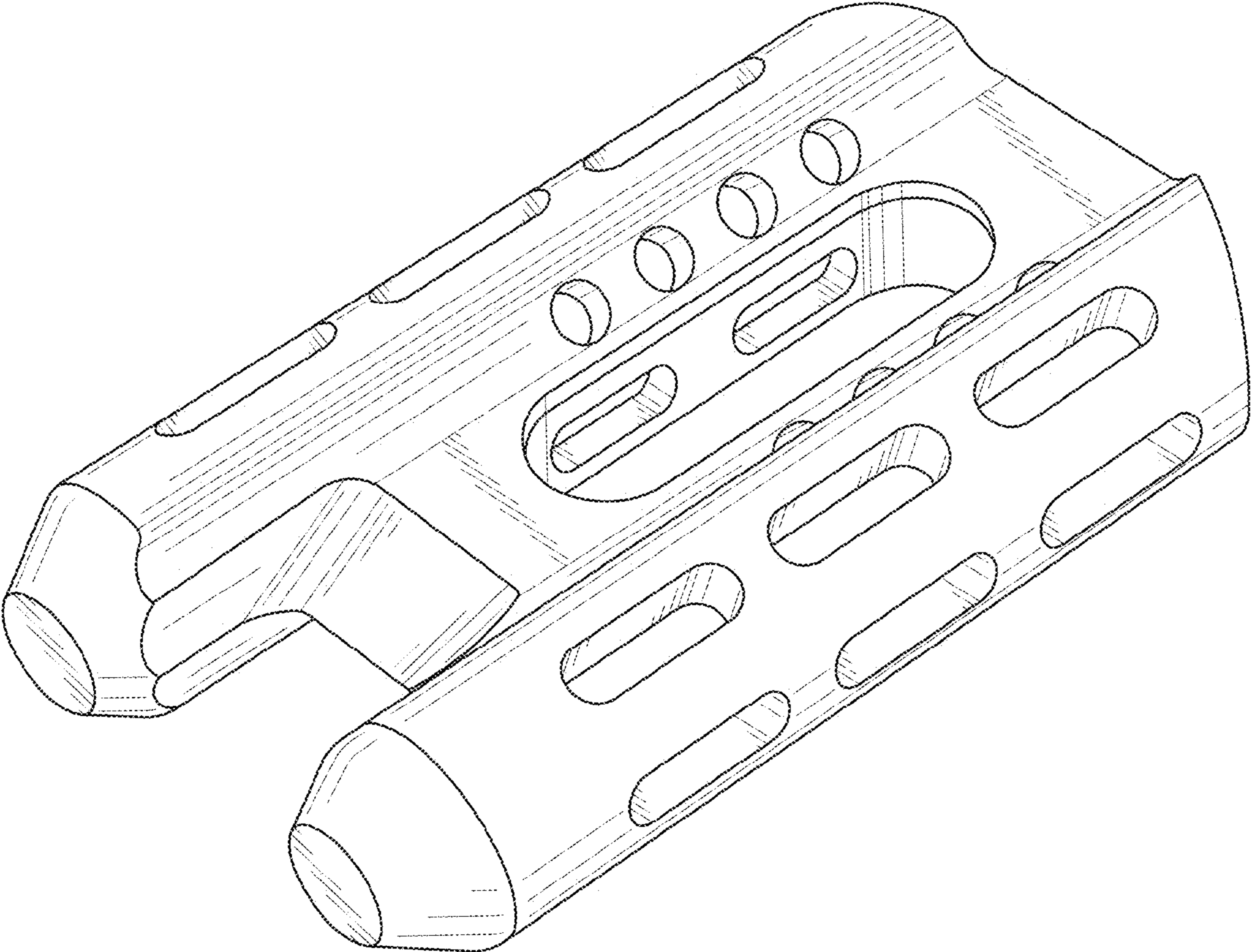


FIG. 1

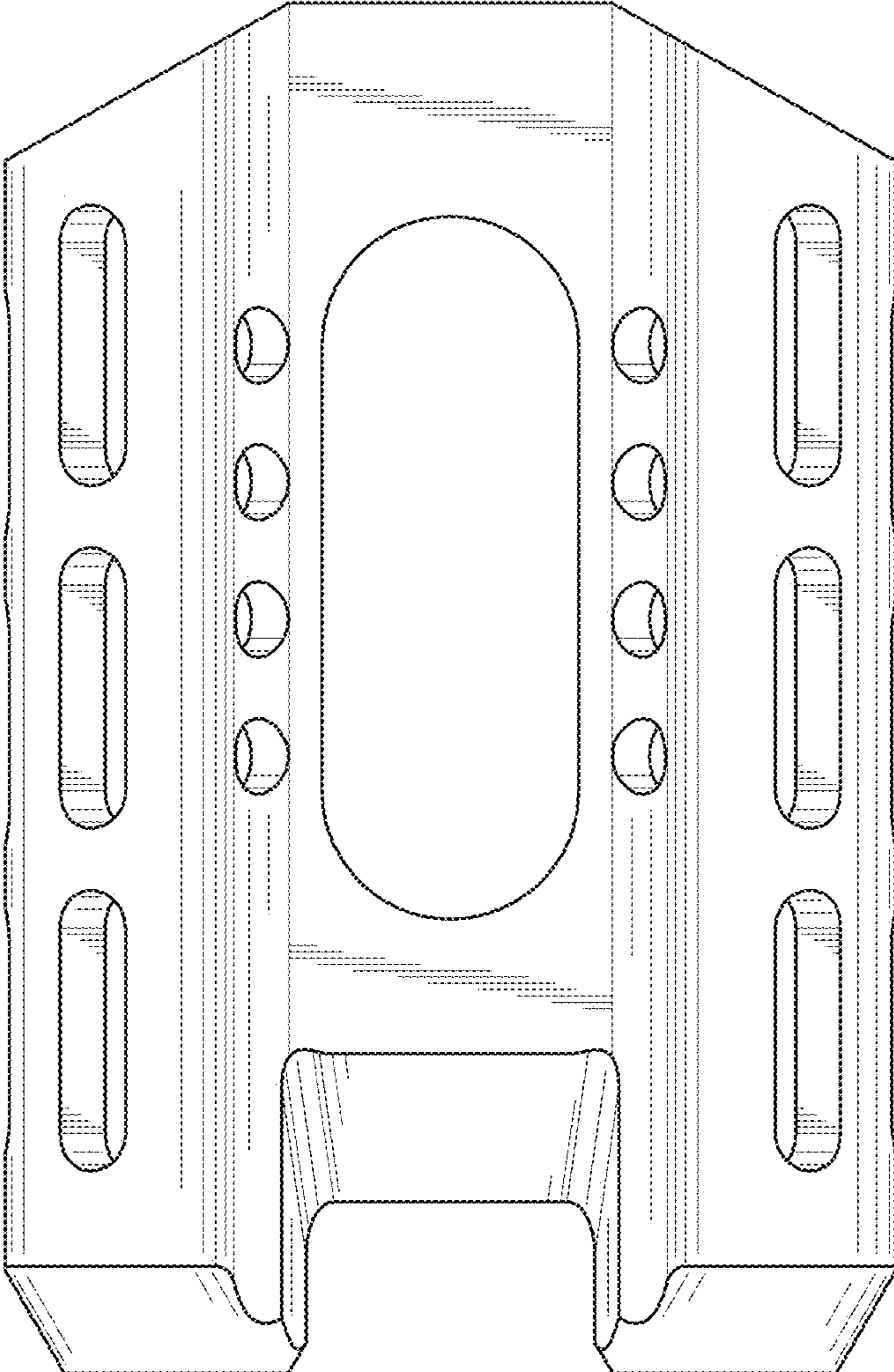


FIG. 2



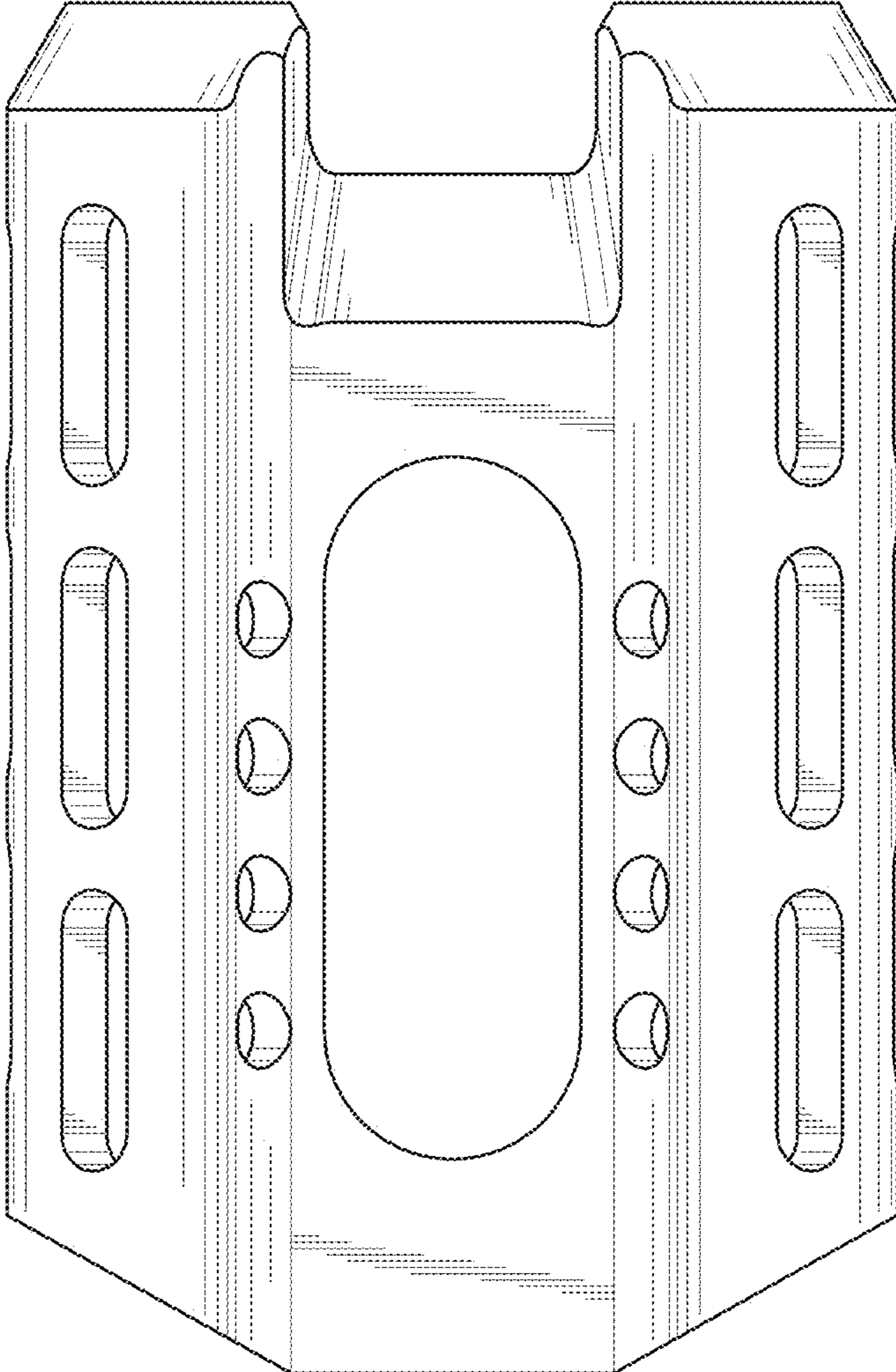


FIG. 3

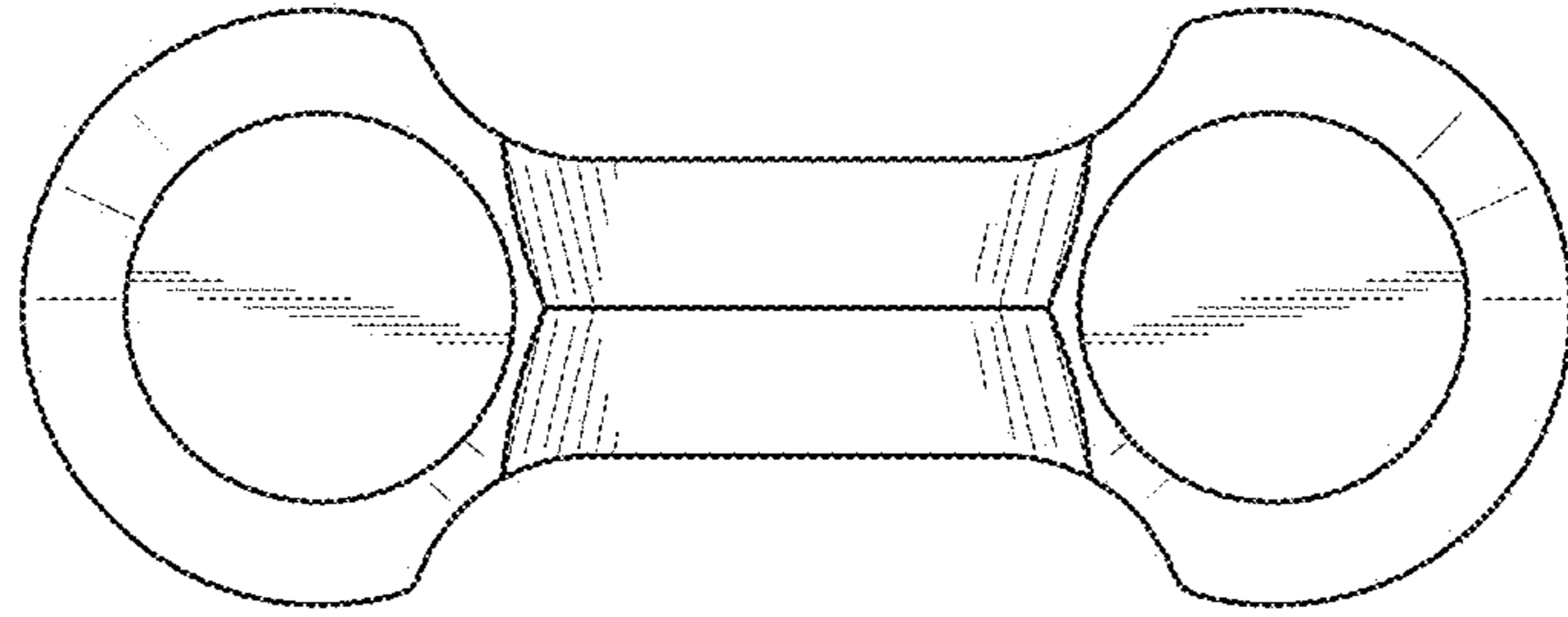


FIG. 4

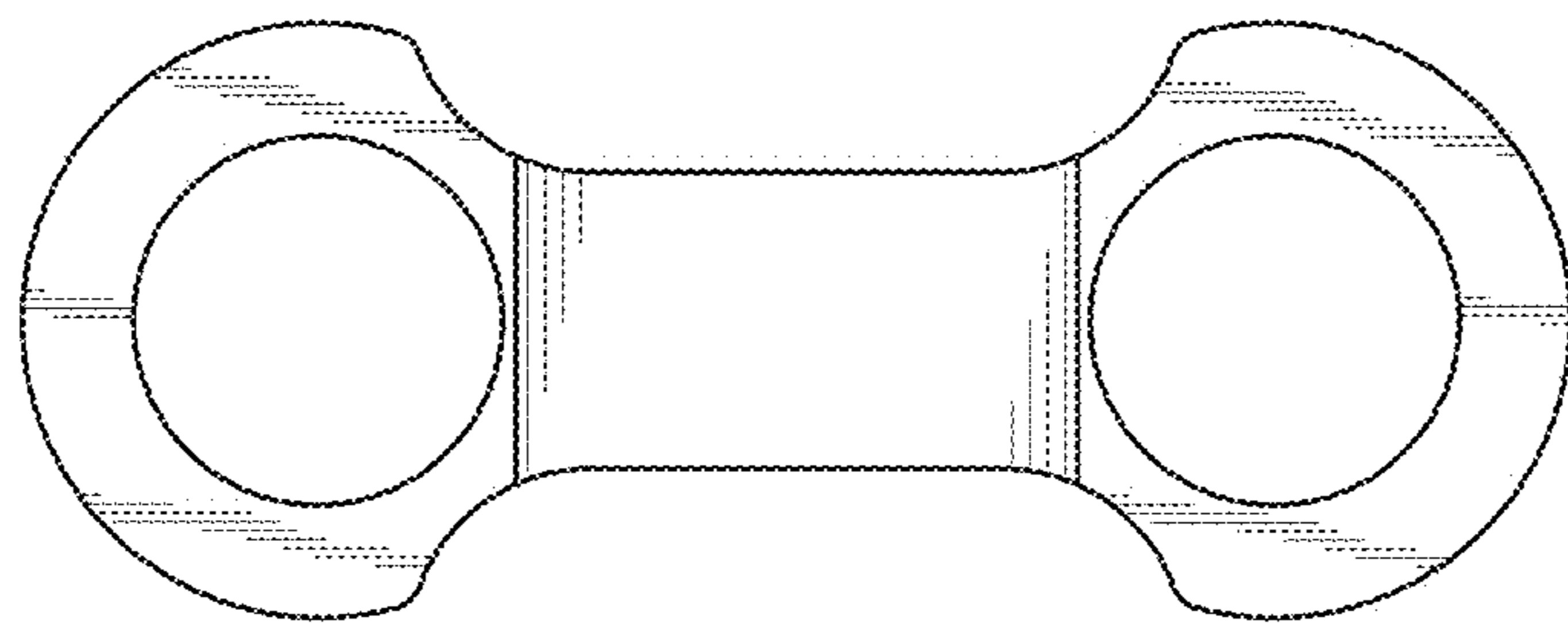


FIG. 5

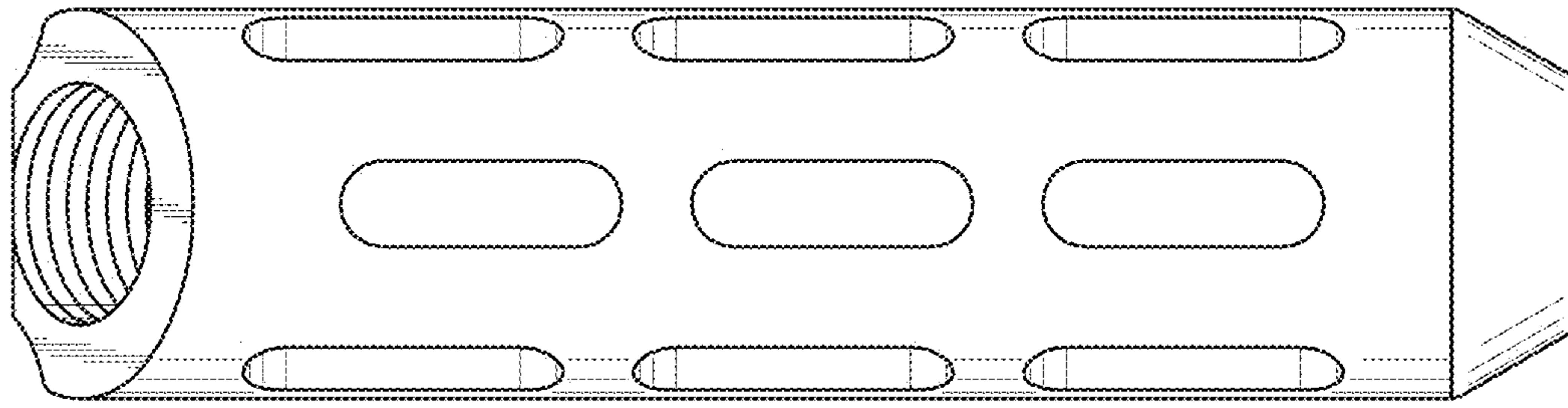


FIG. 6

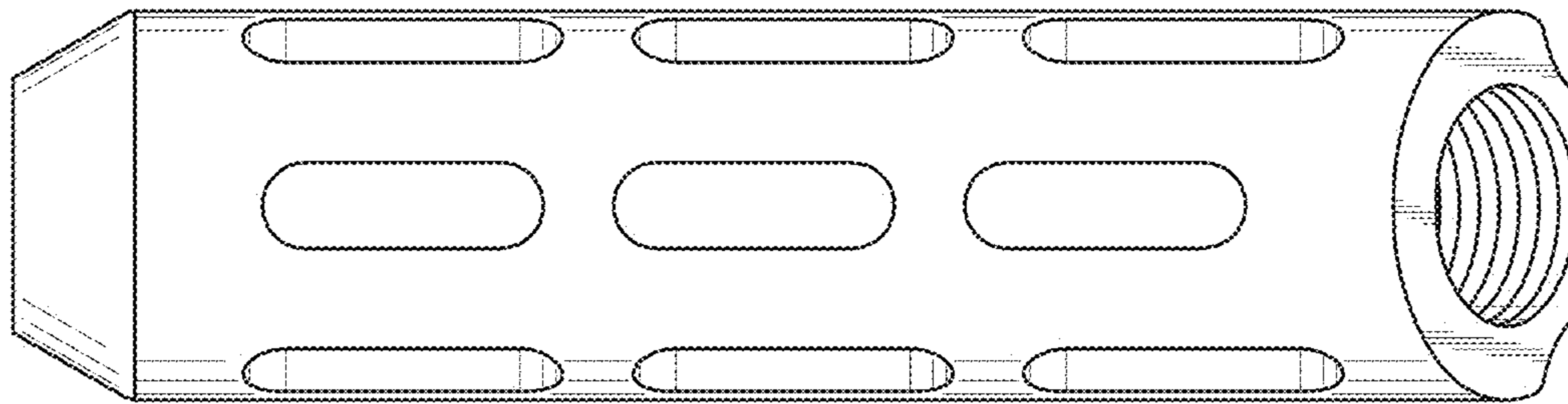


FIG. 7