



US00D951452S

(12) **United States Design Patent**
Hyeon et al.

(10) **Patent No.:** **US D951,452 S**

(45) **Date of Patent:** **** May 10, 2022**

(54) **ROD CONNECTOR FOR CERVICAL VERTEBRAE**

(71) Applicant: **Solco Biomedical Co., Ltd.**,
Pyeongtaek-si (KR)

(72) Inventors: **Mi Rim Hyeon**, Hwaseong-si (KR);
Hwi Geun Yu, Pyeongtaek-si (KR); **Il Kim**, Seoul (KR)

(73) Assignee: **Solco Biomedical Co., Ltd.**,
Pyeongtaek-si (KR)

(**) Term: **15 Years**

(21) Appl. No.: **29/751,641**

(22) Filed: **Sep. 22, 2020**

(30) **Foreign Application Priority Data**

Sep. 3, 2020 (KR) 30-2020-0041696

(51) **LOC (13) Cl.** **24-03**

(52) **U.S. Cl.**
USPC **D24/155**

(58) **Field of Classification Search**
USPC D24/155
CPC A61B 17/70; A61B 17/56
See application file for complete search history.

(56) **References Cited**

U.S. PATENT DOCUMENTS

- 8,292,924 B2 * 10/2012 Neary A61B 17/7052
606/250
- 8,308,767 B2 * 11/2012 Hochschuler A61B 17/7008
606/246
- 8,357,182 B2 * 1/2013 Seme A61B 17/707
606/257
- 8,940,020 B2 * 1/2015 Rathbun A61B 17/7049
606/252
- 9,107,703 B2 * 8/2015 Torres A61B 17/7049

- 9,125,691 B2 * 9/2015 Gunn A61B 17/7049
- 9,220,541 B1 * 12/2015 Dant A61B 17/7052
- 9,855,079 B2 * 1/2018 Keiser A61B 17/7052
- 10,238,432 B2 * 3/2019 Carruth A61B 17/7032
- 10,321,939 B2 * 6/2019 Lee A61B 17/7049
- 10,561,454 B2 * 2/2020 Lee A61B 17/7052
- 11,076,890 B2 * 8/2021 Ortiz A61B 17/7083
- 2002/0183749 A1 * 12/2002 Burgess A61B 17/7052
606/252
- 2005/0228377 A1 * 10/2005 Chao A61B 17/7052
606/252
- 2007/0173829 A1 * 7/2007 Drewry A61B 17/7052
606/250
- 2008/0306538 A1 * 12/2008 Moore A61B 17/7052
606/250
- 2009/0177234 A1 * 7/2009 Butler A61B 17/7052
606/277
- 2011/0245878 A1 * 10/2011 Franks A61B 17/863
606/278
- 2019/0029733 A1 * 1/2019 Mickiewicz A61B 17/7043

* cited by examiner

Primary Examiner — Charles D Hanson

(74) *Attorney, Agent, or Firm* — Revolution IP, PLLC

(57) **CLAIM**

The ornamental design for a rod connector for cervical vertebrae, as shown and described.

DESCRIPTION

FIG. 1 is a perspective view of a rod connector for cervical vertebrae showing my new design;
FIG. 2 is a front view thereof;
FIG. 3 is a rear view thereof;
FIG. 4 is a left view thereof;
FIG. 5 is a right view thereof;
FIG. 6 is a top view thereof;
FIG. 7 is a bottom view thereof; and,
FIG. 8 is a reference view showing use state thereof.
The broken lines in FIG. 8 are for illustrative purposes only and form no part of the claimed design.

1 Claim, 5 Drawing Sheets

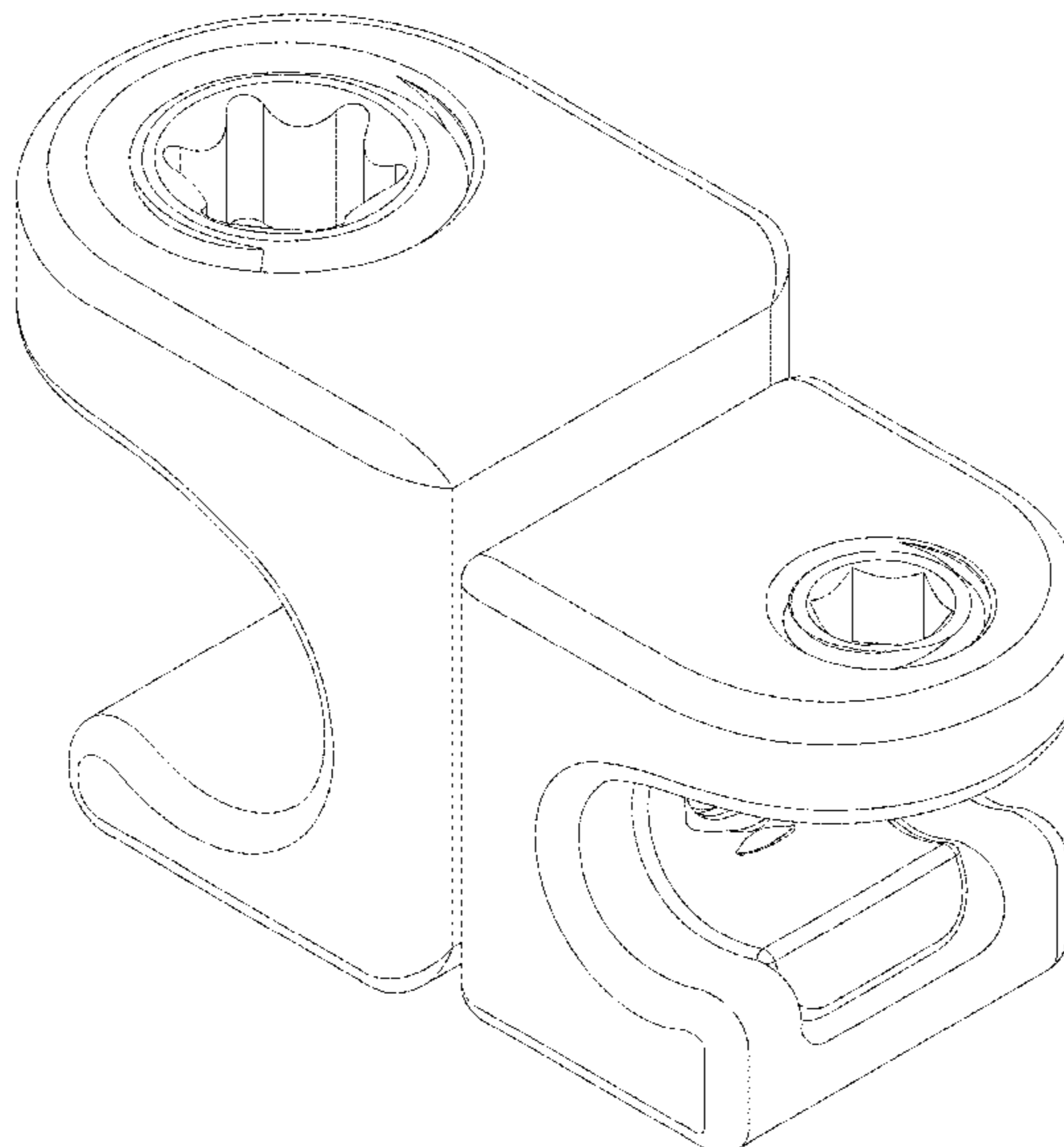


FIG. 1

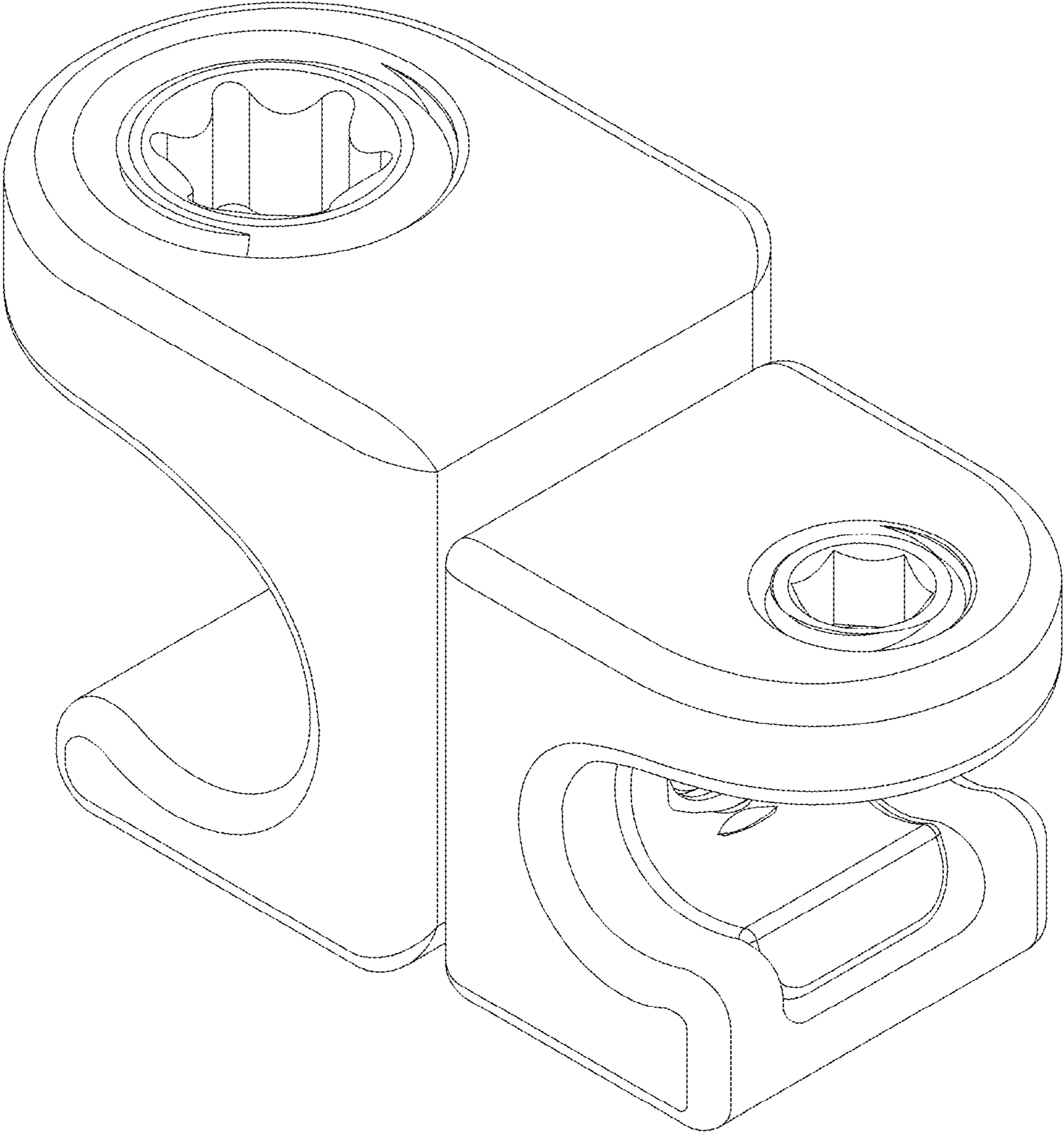


FIG. 2

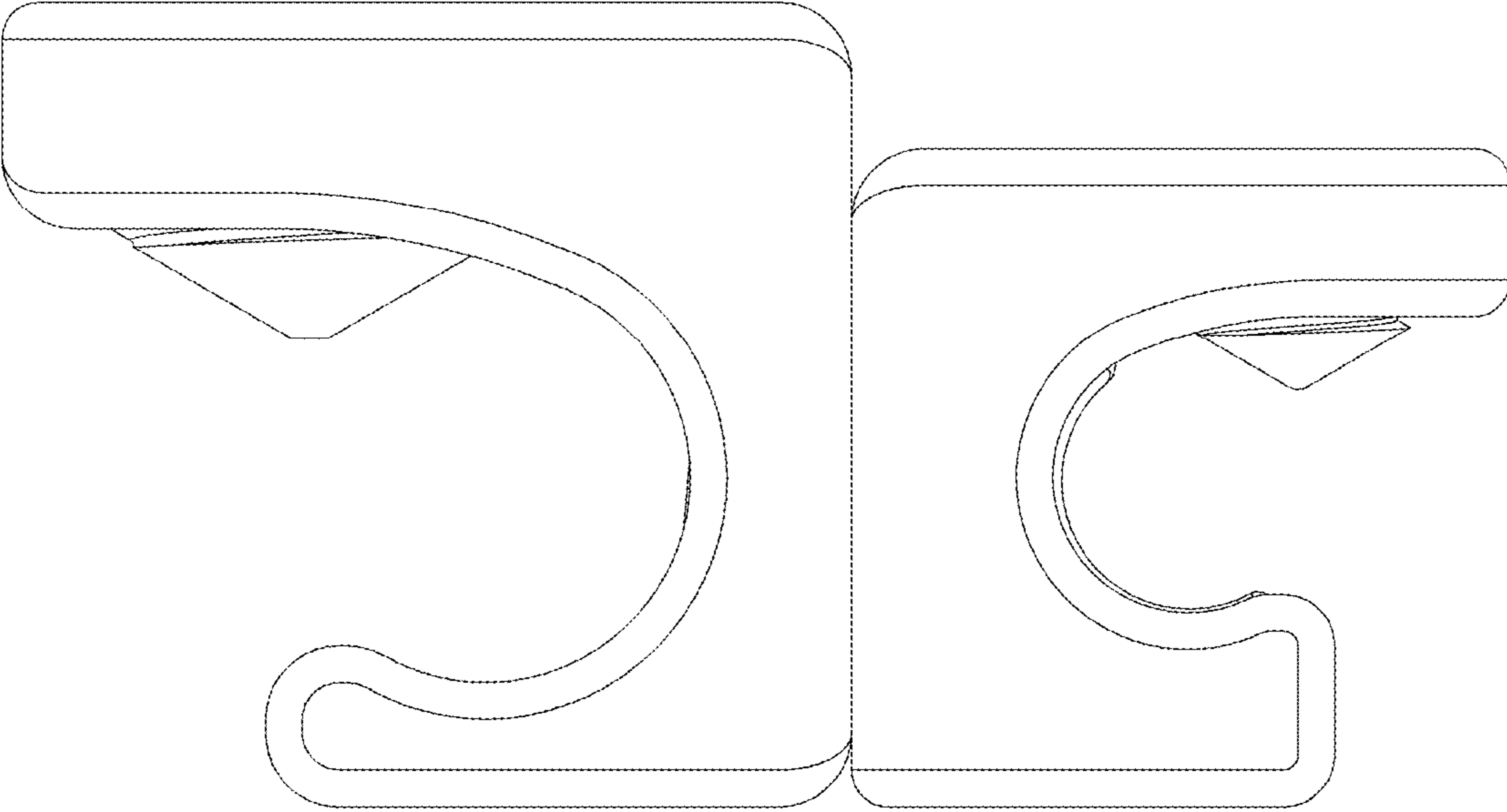


FIG. 3

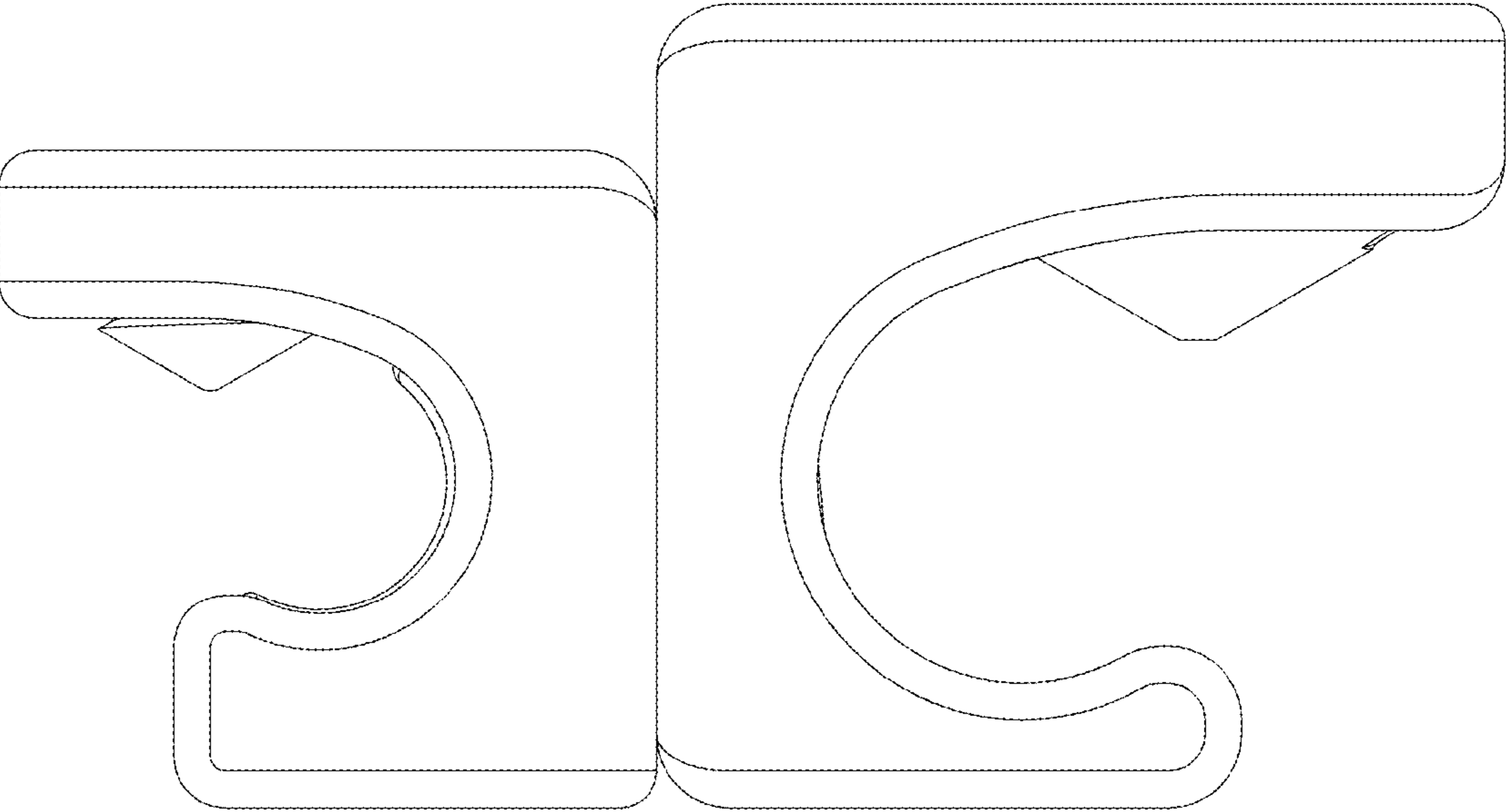


FIG. 4

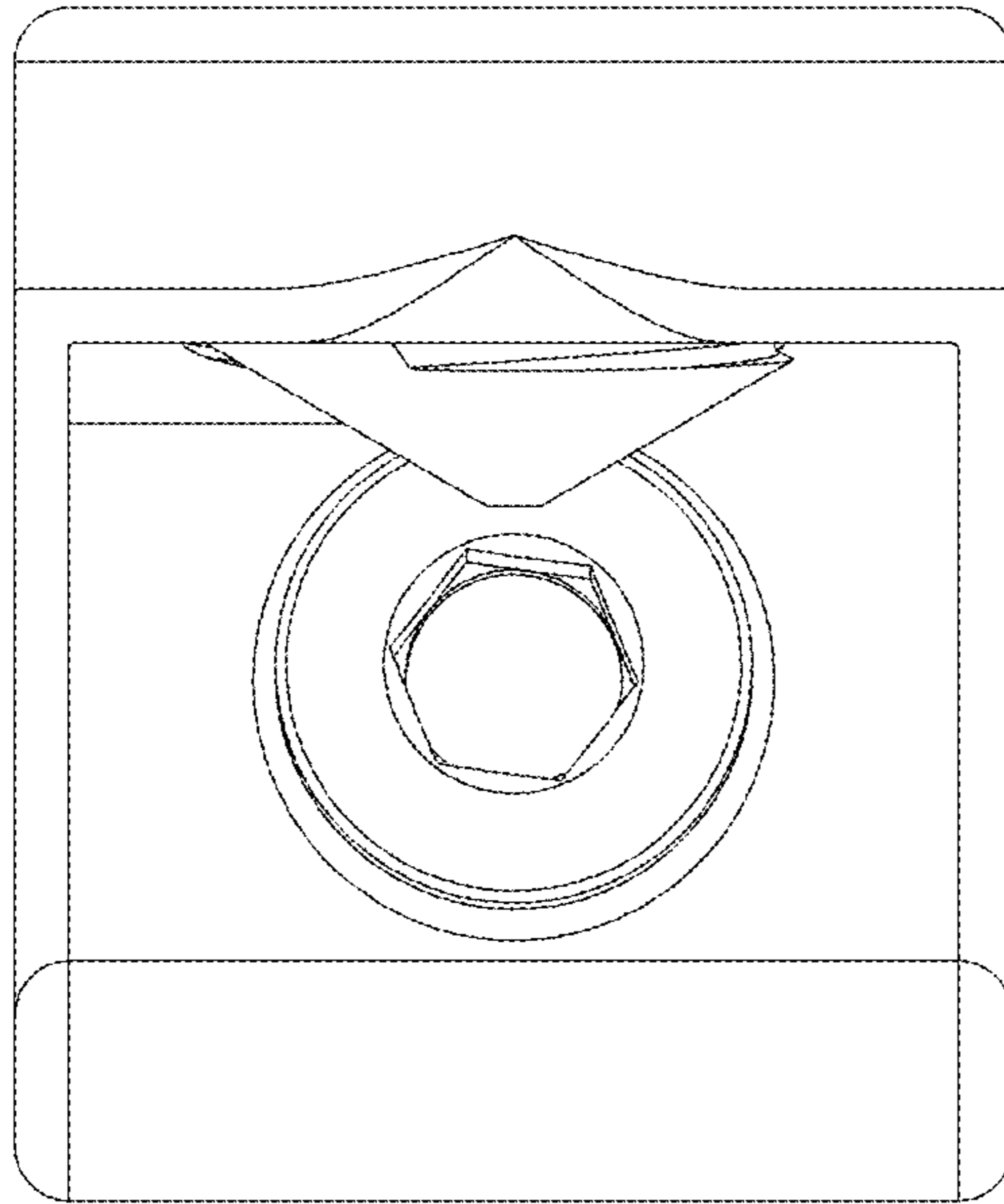


FIG. 5

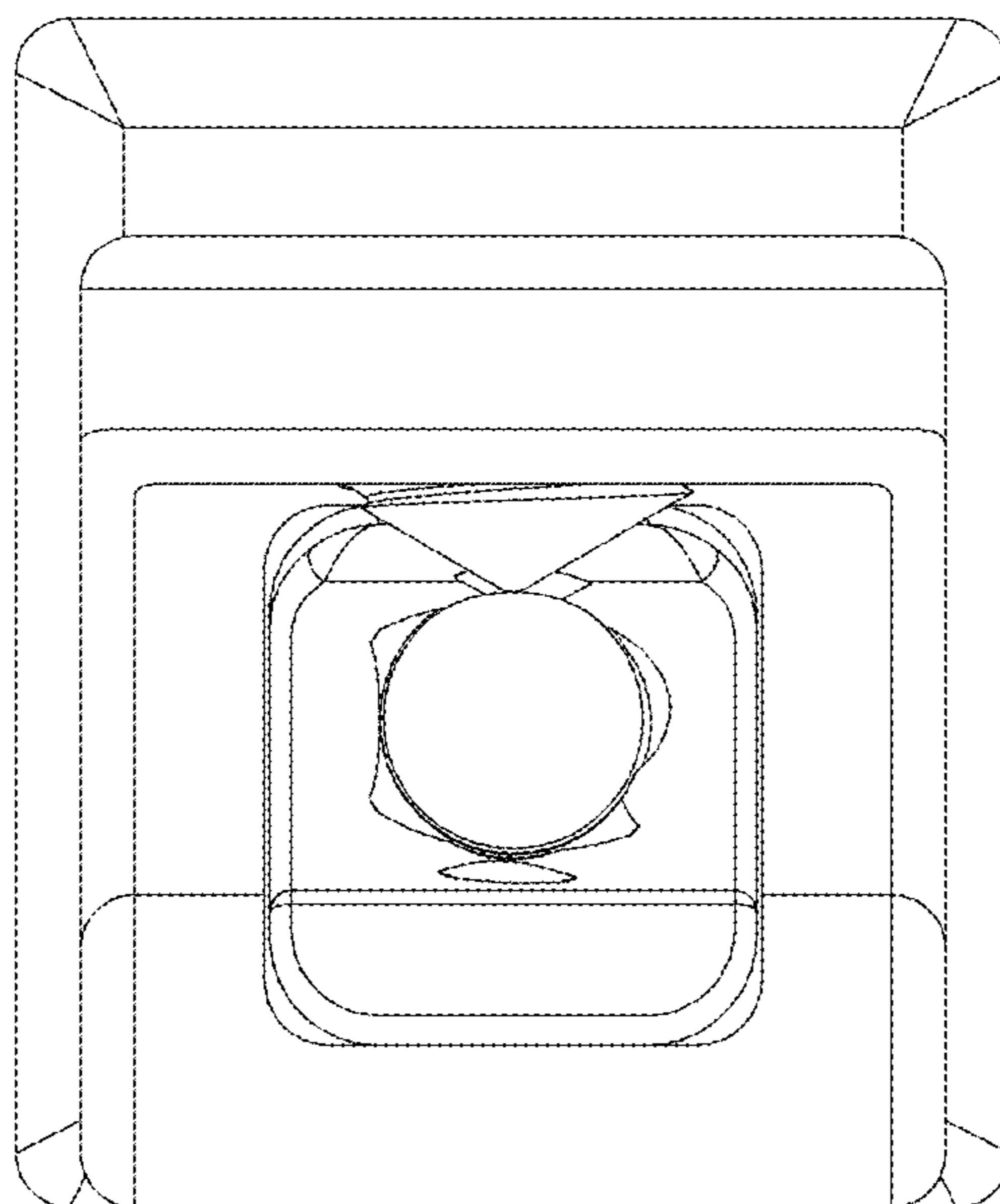


FIG. 6

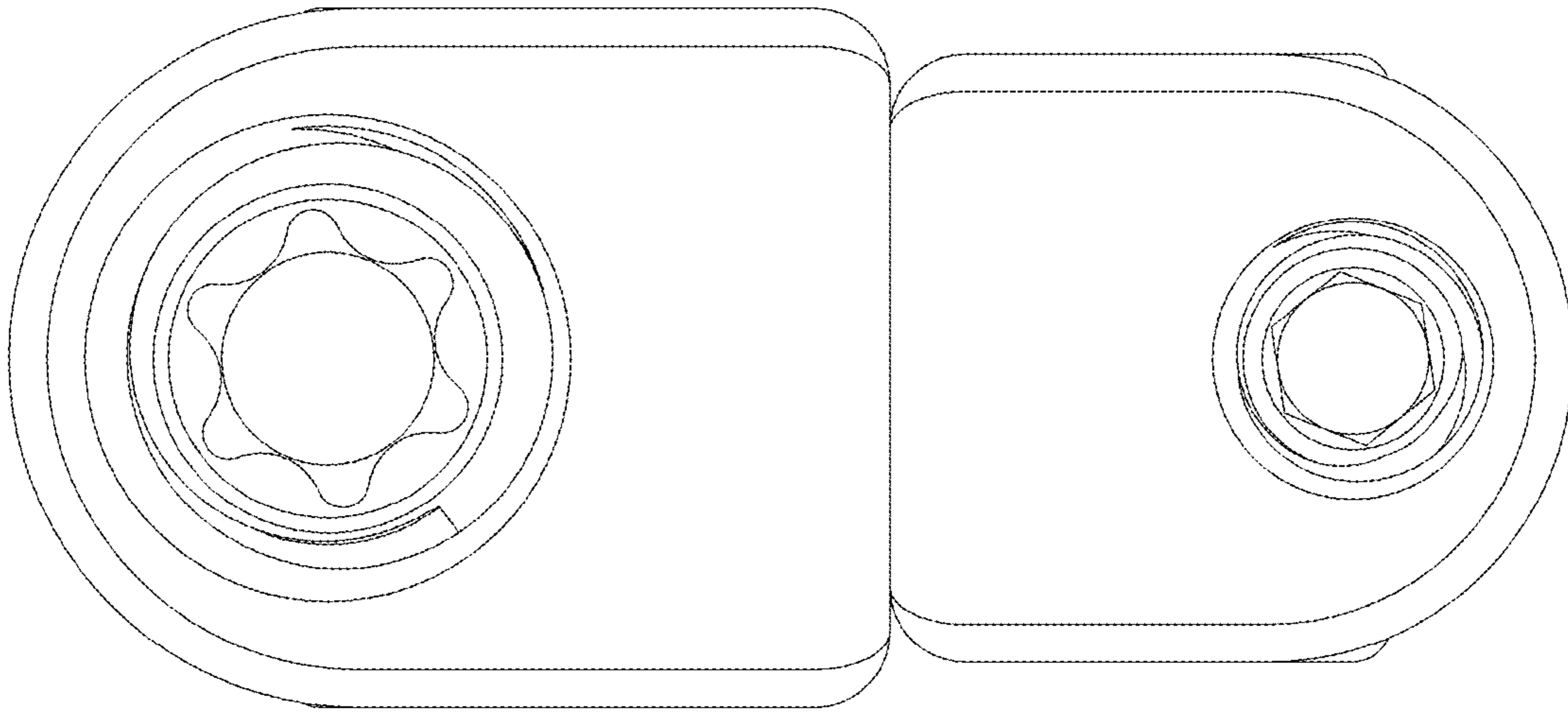
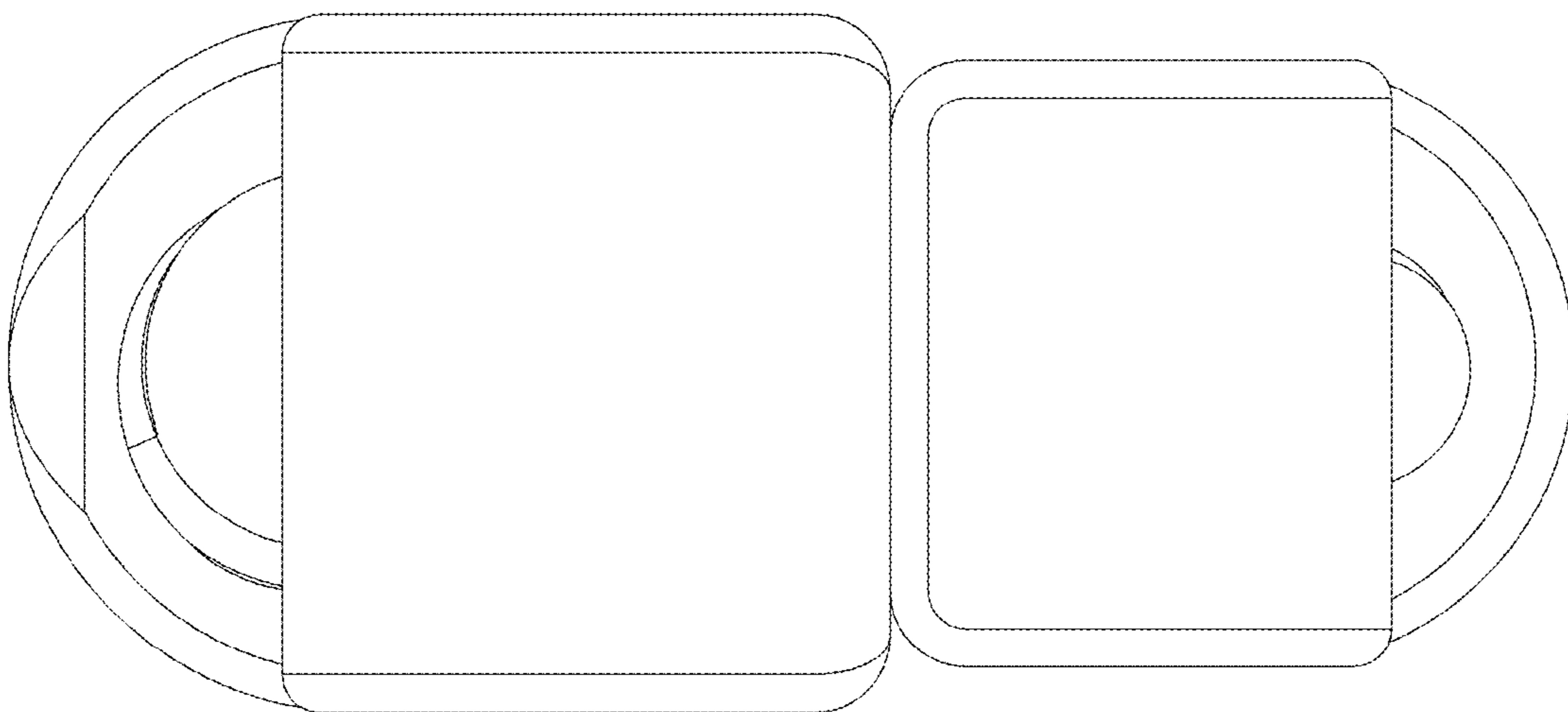


FIG. 7



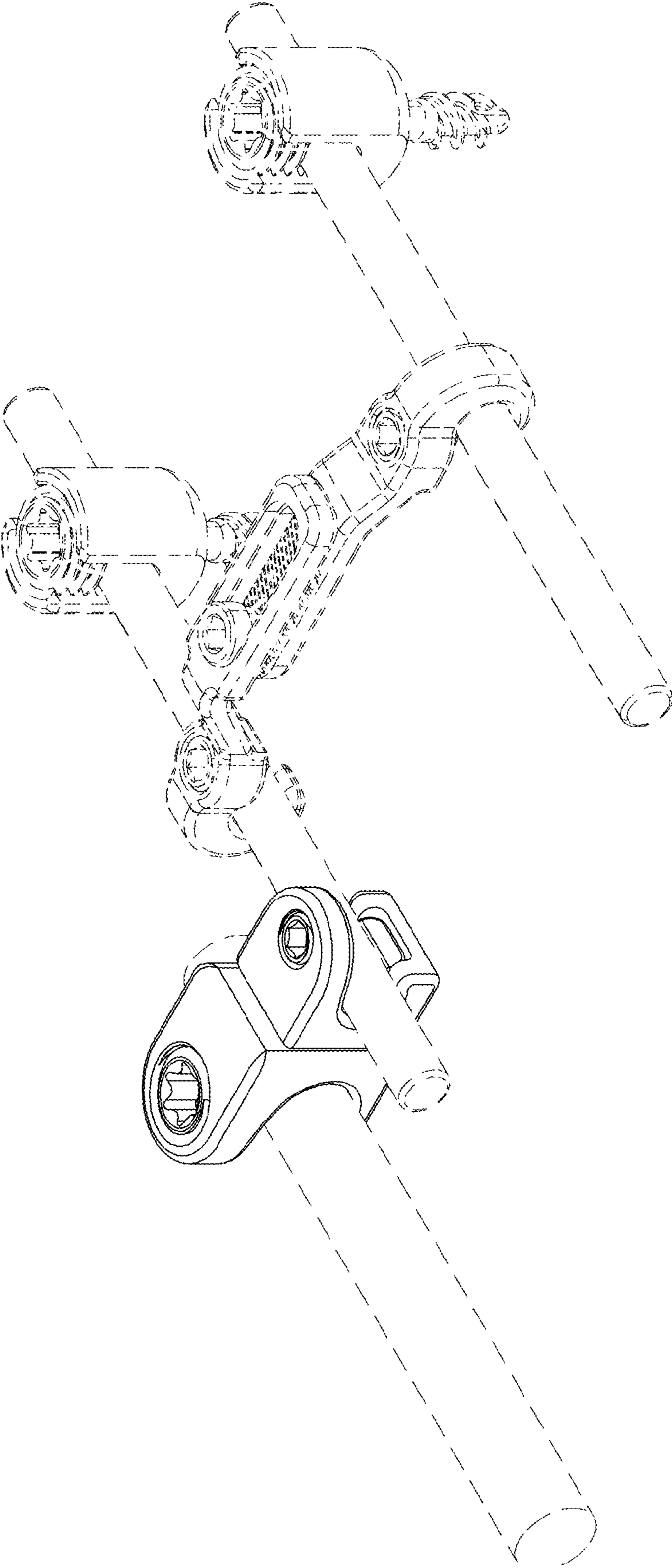


FIG. 8