



US00D951451S

(12) **United States Design Patent**
Hyeon et al.

(10) **Patent No.:** **US D951,451 S**

(45) **Date of Patent:** **** May 10, 2022**

(54) **CROSS LINK FOR CERVICAL VERTEBRAE**

(71) Applicant: **Solco Biomedical Co., Ltd.**,
Pyeongtaek-si (KR)

(72) Inventors: **Mi Rim Hyeon**, Hwaseong-si (KR);
Hwi Geun Yu, Pyeongtaek-si (KR); **Il Kim**, Seoul (KR)

(73) Assignee: **Solco Biomedical Co., Ltd.**,
Pyeongtaek-si (KR)

(**) Term: **15 Years**

(21) Appl. No.: **29/751,638**

(22) Filed: **Sep. 22, 2020**

(30) **Foreign Application Priority Data**

Sep. 3, 2020 (KR) 30-2020-0041695

(51) **LOC (13) Cl.** **24-03**

(52) **U.S. Cl.**
USPC **D24/155**

(58) **Field of Classification Search**
USPC D24/155
CPC A61B 17/70; A61B 17/56
See application file for complete search history.

(56) **References Cited**

U.S. PATENT DOCUMENTS

8,292,924	B2 *	10/2012	Neary	A61B 17/7052	606/250
8,308,767	B2 *	11/2012	Hochschuler	A61B 17/7008	606/246
8,357,182	B2 *	1/2013	Seme	A61B 17/707	606/257
8,940,020	B2 *	1/2015	Rathbun	A61B 17/7049	606/252
9,107,703	B2 *	8/2015	Torres	A61B 17/7049	
9,125,691	B2 *	9/2015	Gunn	A61B 17/7049	

9,220,541	B1 *	12/2015	Dant	A61B 17/7052	
9,855,079	B2 *	1/2018	Keiser	A61B 17/7052	
10,238,432	B2 *	3/2019	Carruth	A61B 17/7032	
10,321,939	B2 *	6/2019	Lee	A61B 17/7049	
10,561,454	B2 *	2/2020	Lee	A61B 17/7052	
11,076,890	B2 *	8/2021	Ortiz	A61B 17/7083	
2002/0183749	A1 *	12/2002	Burgess	A61B 17/7052	606/252
2005/0228377	A1 *	10/2005	Chao	A61B 17/7052	606/252
2007/0173829	A1 *	7/2007	Drewry	A61B 17/7052	606/250
2008/0306538	A1 *	12/2008	Moore	A61B 17/7052	606/250
2009/0177234	A1 *	7/2009	Butler	A61B 17/7052	606/277
2011/0245878	A1 *	10/2011	Franks	A61B 17/863	606/278
2019/0029733	A1 *	1/2019	Mickiewicz	A61B 17/7043	

* cited by examiner

Primary Examiner — Charles D Hanson

(74) *Attorney, Agent, or Firm* — Revolution IP, PLLC

(57) **CLAIM**

The ornamental design for a cross link for cervical vertebrae, as shown and described.

DESCRIPTION

FIG. 1 is a perspective view of a cross link for cervical vertebrae showing my new design;
FIG. 2 is a front view thereof;
FIG. 3 is a rear view thereof;
FIG. 4 is a left view thereof;
FIG. 5 is a right view thereof;
FIG. 6 is a top view thereof;
FIG. 7 is a bottom view thereof; and,
FIG. 8 is a reference view showing use state thereof.
The broken lines in FIG. 8 are for illustrative purposes only and form no part of the claimed design.

1 Claim, 7 Drawing Sheets

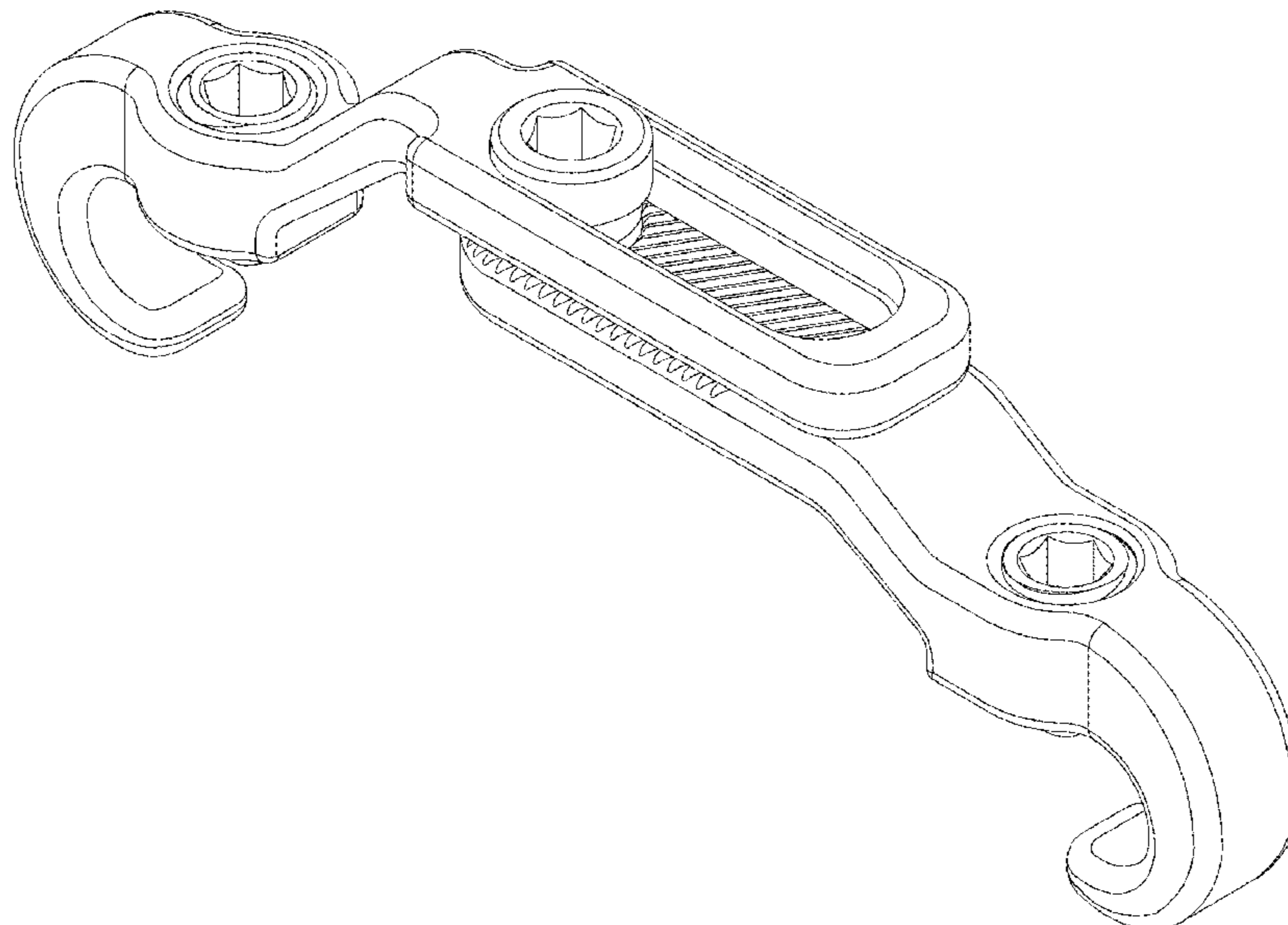


FIG. 1

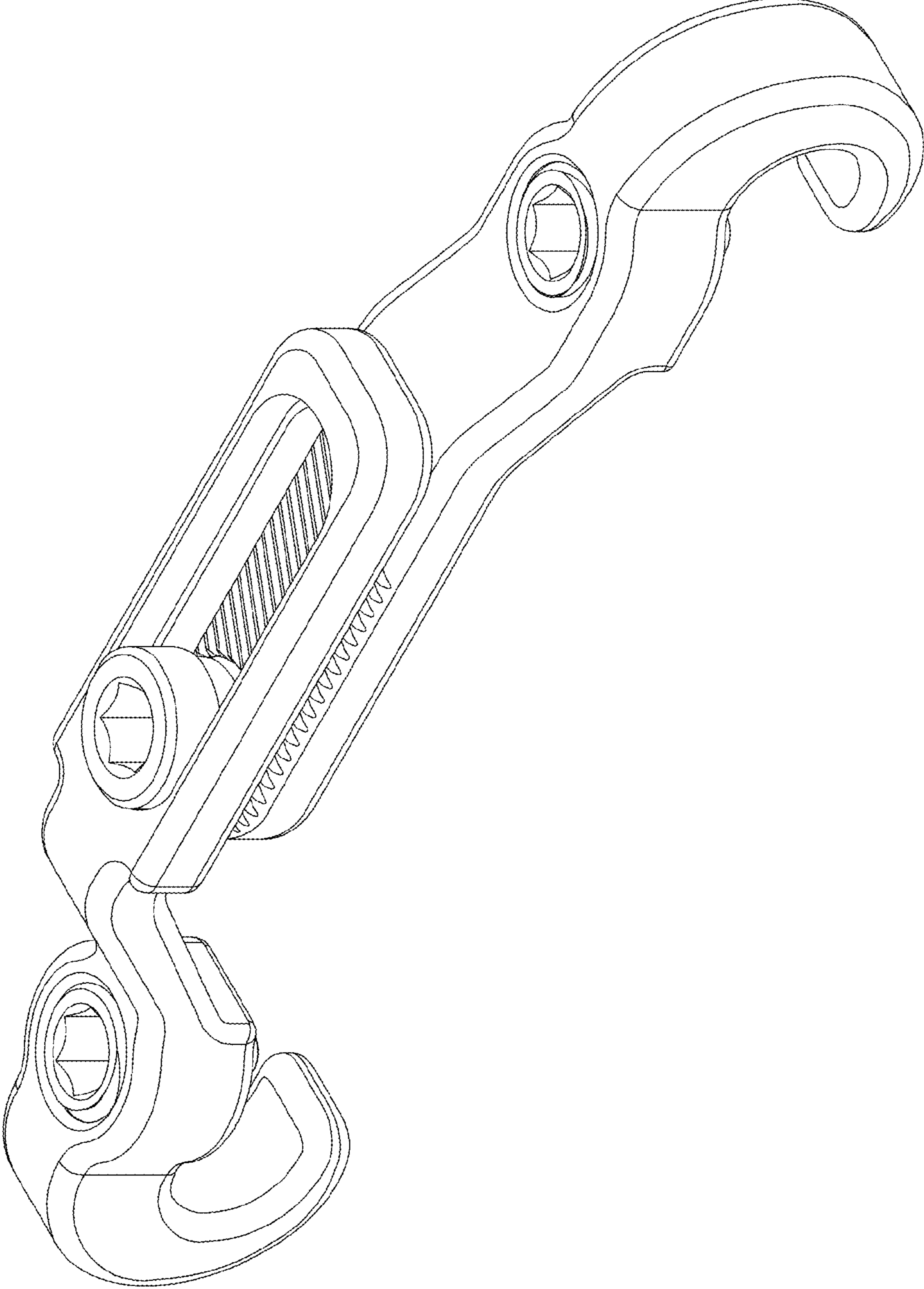


FIG. 2

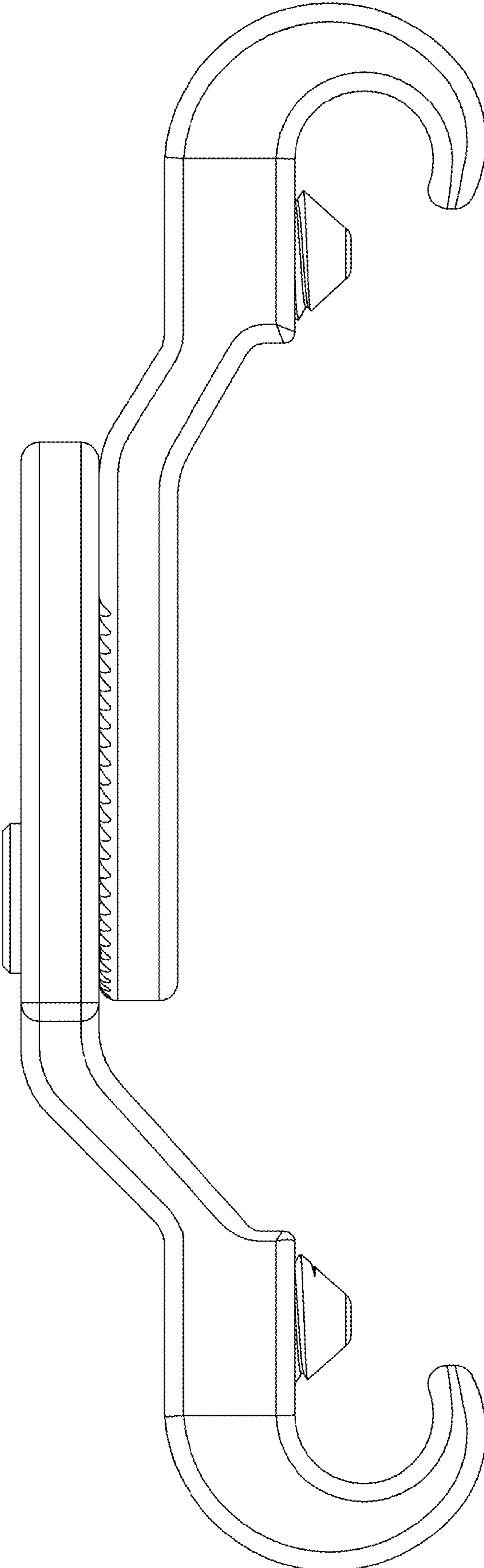


FIG. 3

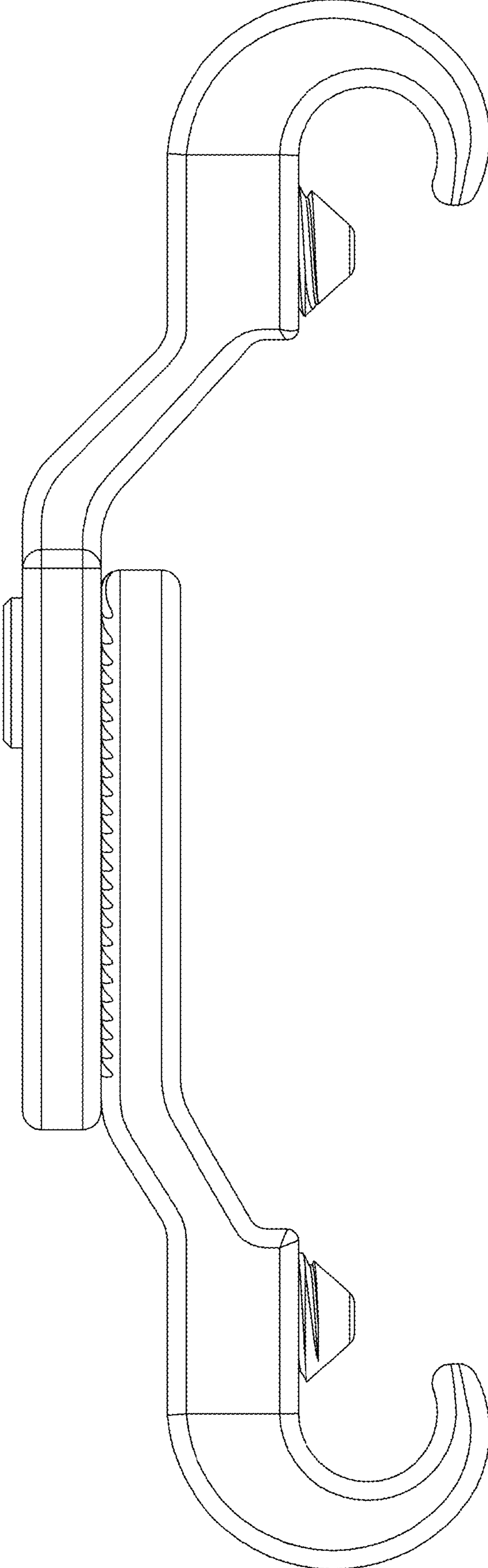


FIG. 4

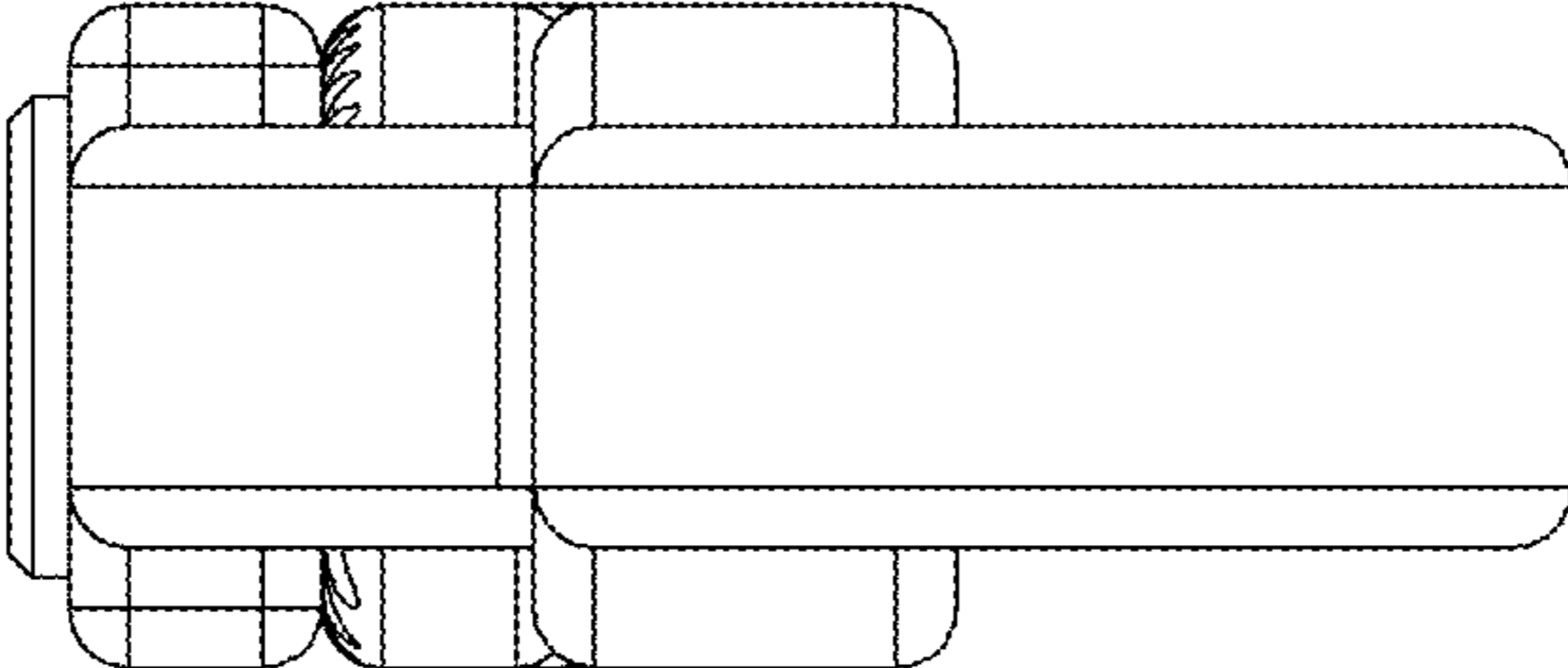


FIG. 5

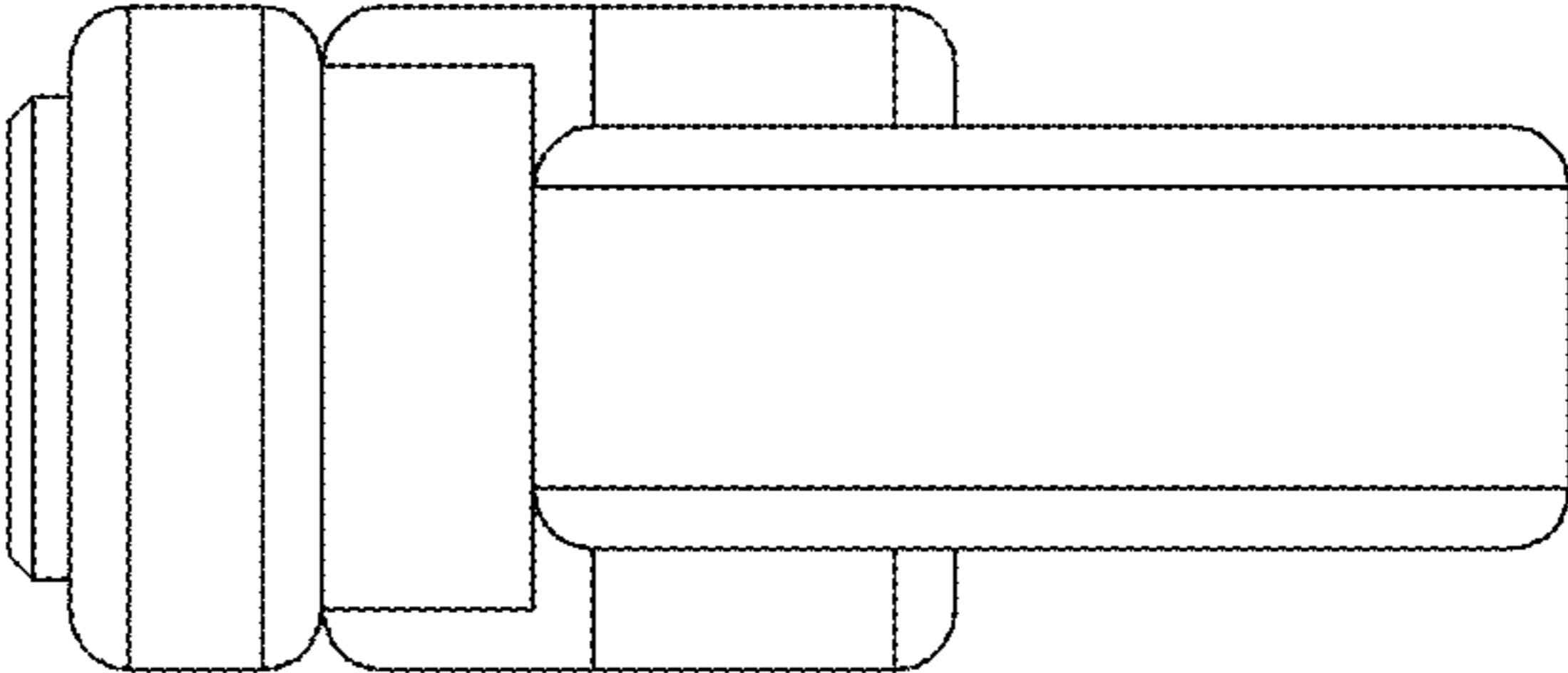


FIG. 6

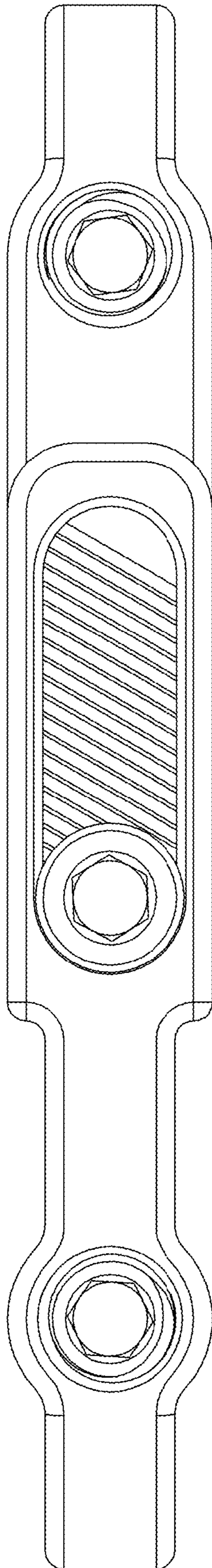


FIG. 7

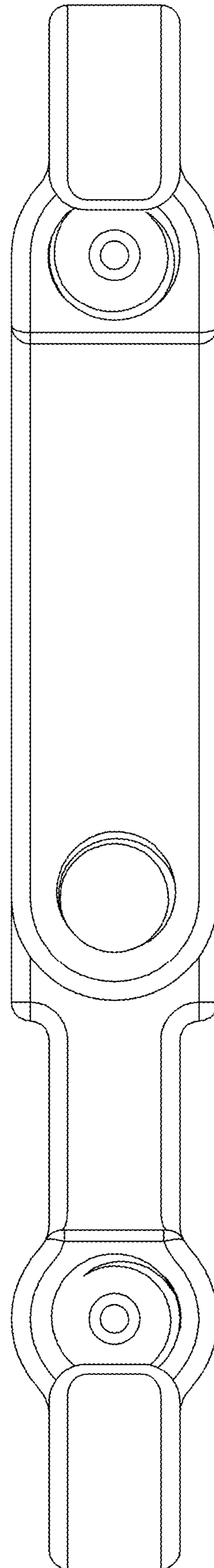


FIG. 8

