



US00D951446S

(12) **United States Design Patent**  
**Yang et al.**

(10) **Patent No.:** **US D951,446 S**

(45) **Date of Patent:** **\*\* May 10, 2022**

(54) **COMBINED SCRAPING AND COLLECTING DEVICE**

(71) Applicant: **BIOGEN THERAPEUTICS CO., LTD.**, Taipei (TW)

(72) Inventors: **Ting-Fan Yang**, Taipei (TW); **Chun Nan Chen**, Taipei (TW); **Po-Wei Lee**, Taipei (TW)

(73) Assignee: **BIOGEN THERAPEUTICS CO., LTD.**, Taipei (TW)

(\*\*) Term: **15 Years**

(21) Appl. No.: **29/734,033**

(22) Filed: **May 8, 2020**

(30) **Foreign Application Priority Data**

Nov. 11, 2019 (TW) ..... 108214932

(51) **LOC (13) Cl.** ..... **24-02**

(52) **U.S. Cl.**  
USPC ..... **D24/147**

(58) **Field of Classification Search**  
USPC ..... D24/146, 147, 133, 143-145, 127, 128, D24/216; D8/47, 82  
CPC . A61B 17/28; A61B 17/2812; A61B 17/2841; A61B 17/285; A61B 17/29; A61B 17/295; A61B 17/320016; A61B 17/320064  
See application file for complete search history.

(56) **References Cited**

**U.S. PATENT DOCUMENTS**

D330,591 S \* 10/1992 Rosenberg ..... D24/147  
D585,989 S \* 2/2009 Leroy ..... D24/146  
D598,547 S \* 8/2009 Stefan ..... D24/143  
D631,964 S \* 2/2011 Miles ..... D24/145

D692,134 S \* 10/2013 Lee-Sepsick ..... D24/146  
D736,923 S \* 8/2015 Snow ..... D24/146  
D895,112 S \* 9/2020 Miller ..... D24/144  
D912,814 S \* 3/2021 Merz ..... D24/143  
11,172,953 B2 \* 11/2021 Norton ..... A61B 17/1608  
2018/0360495 A1 \* 12/2018 Adams ..... A61B 10/04

(Continued)

*Primary Examiner* — Lilyana Bekic

*Assistant Examiner* — Lee D. Starr

(74) *Attorney, Agent, or Firm* — Muncy, Geissler, Olds & Lowe, P.C.

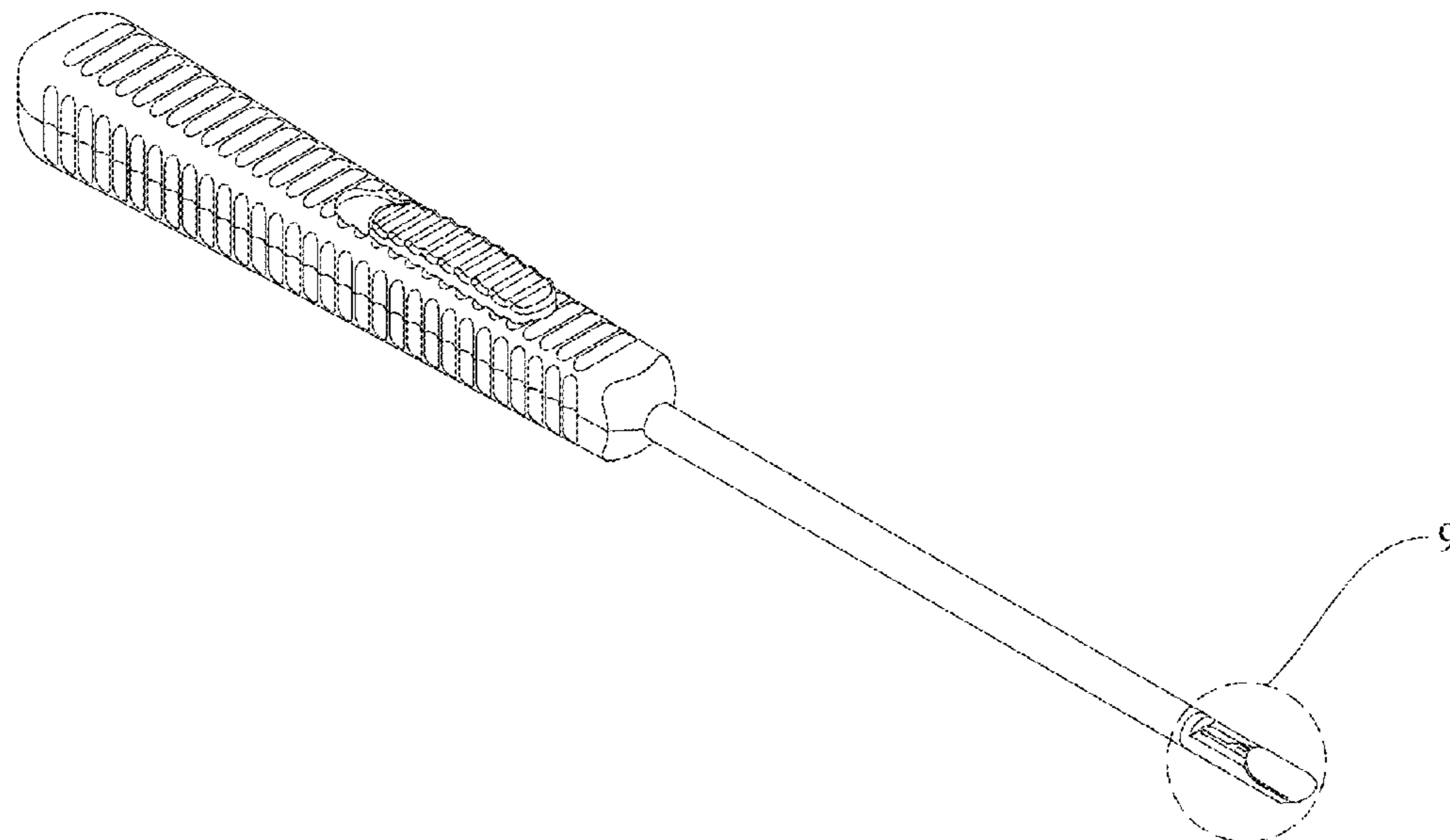
(57) **CLAIM**

We claim the ornamental design for a combined scraping and collecting device, as shown and described.

**DESCRIPTION**

FIG. 1 is a front, top, right perspective view of a combined scraping and collecting device, showing our new design; FIG. 2 is a front elevational view thereof; and FIG. 3 is a rear elevational view thereof. FIG. 4 is a left side elevational view thereof; FIG. 5 is a right side elevational view thereof; FIG. 6 is a top plan view thereof; FIG. 7 is a bottom plan view thereof. FIG. 8 is a perspective front view thereof showing an in-use position; FIG. 9 is an enlarged view of the end portion of the device of FIG. 1; FIG. 10 is an enlarged view of the end portion of the device of FIG. 6; and, FIG. 11 is an enlarged view of the end portion of the device of FIG. 8. The dashed broken line circles and ovals in FIGS. 1, 6, 8 and 9-11 define the bounds of the enlargements and form no part of the claimed design. The dashed broken lines in FIG. 4 and FIG. 7 illustrate portions of the combined scraping and collecting device which form no part of the claimed design.

**1 Claim, 11 Drawing Sheets**



(56)

**References Cited**

U.S. PATENT DOCUMENTS

2021/0361347 A1\* 11/2021 Tyrrell ..... A61B 17/285  
2022/0000512 A1\* 1/2022 Netzel ..... A61B 17/29

\* cited by examiner

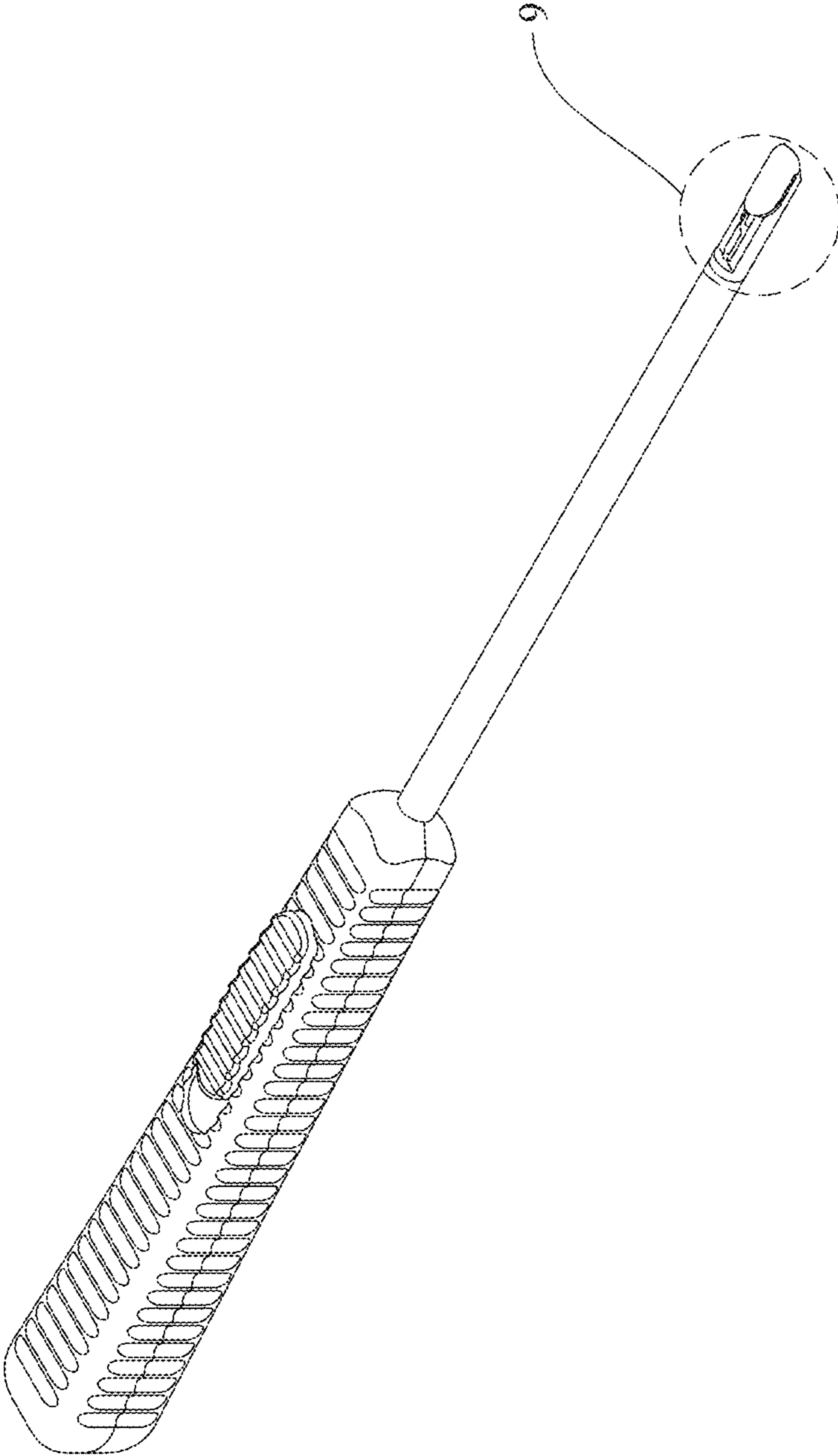


Fig. 1

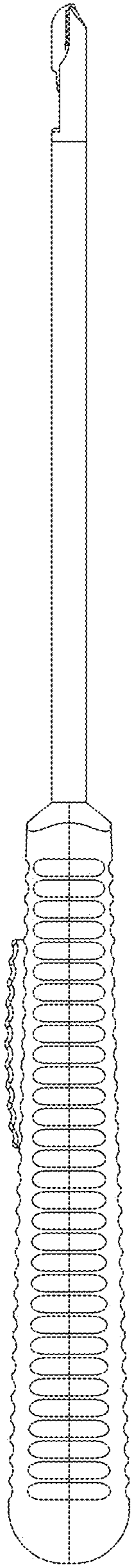


Fig. 2

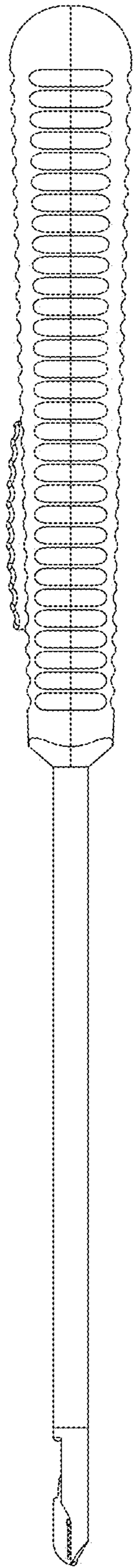


Fig. 3

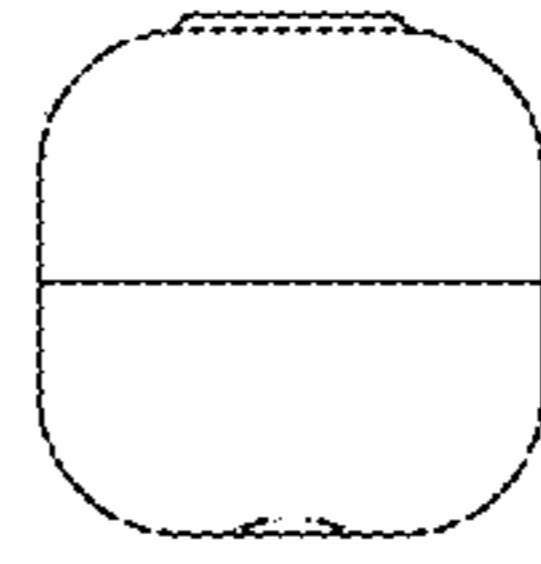


Fig. 4

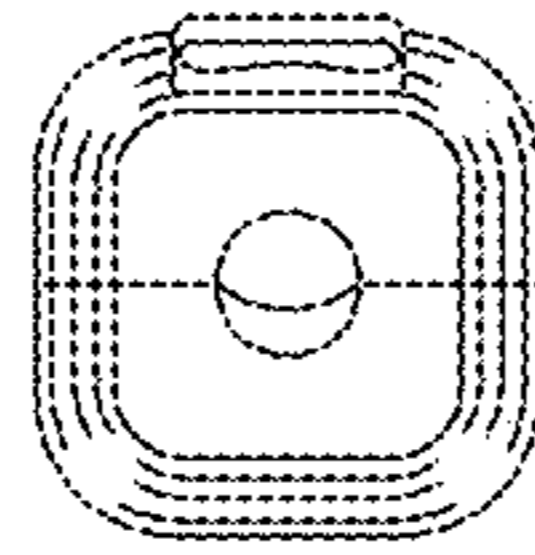


Fig. 5

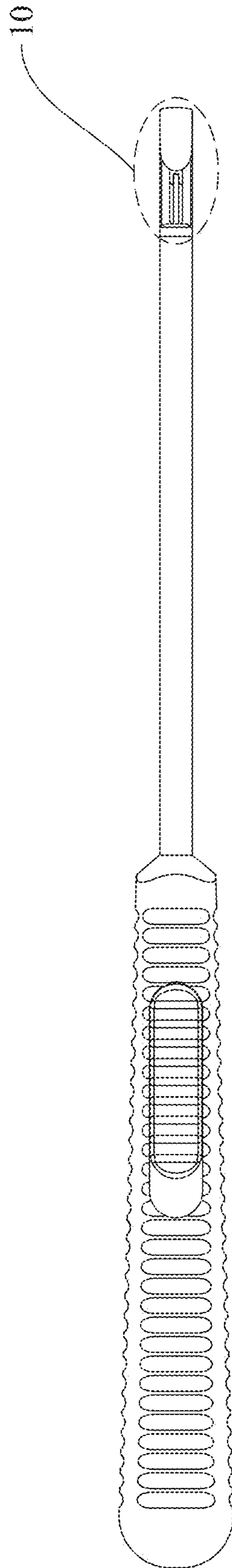


Fig. 6



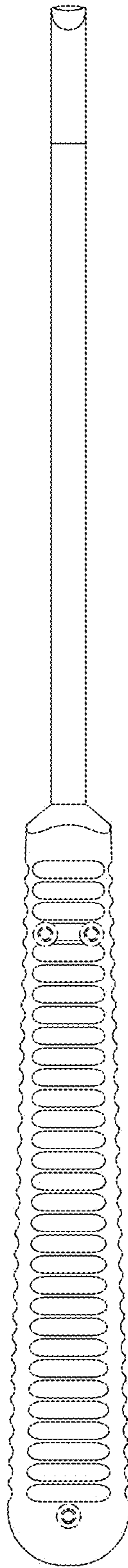


Fig. 7

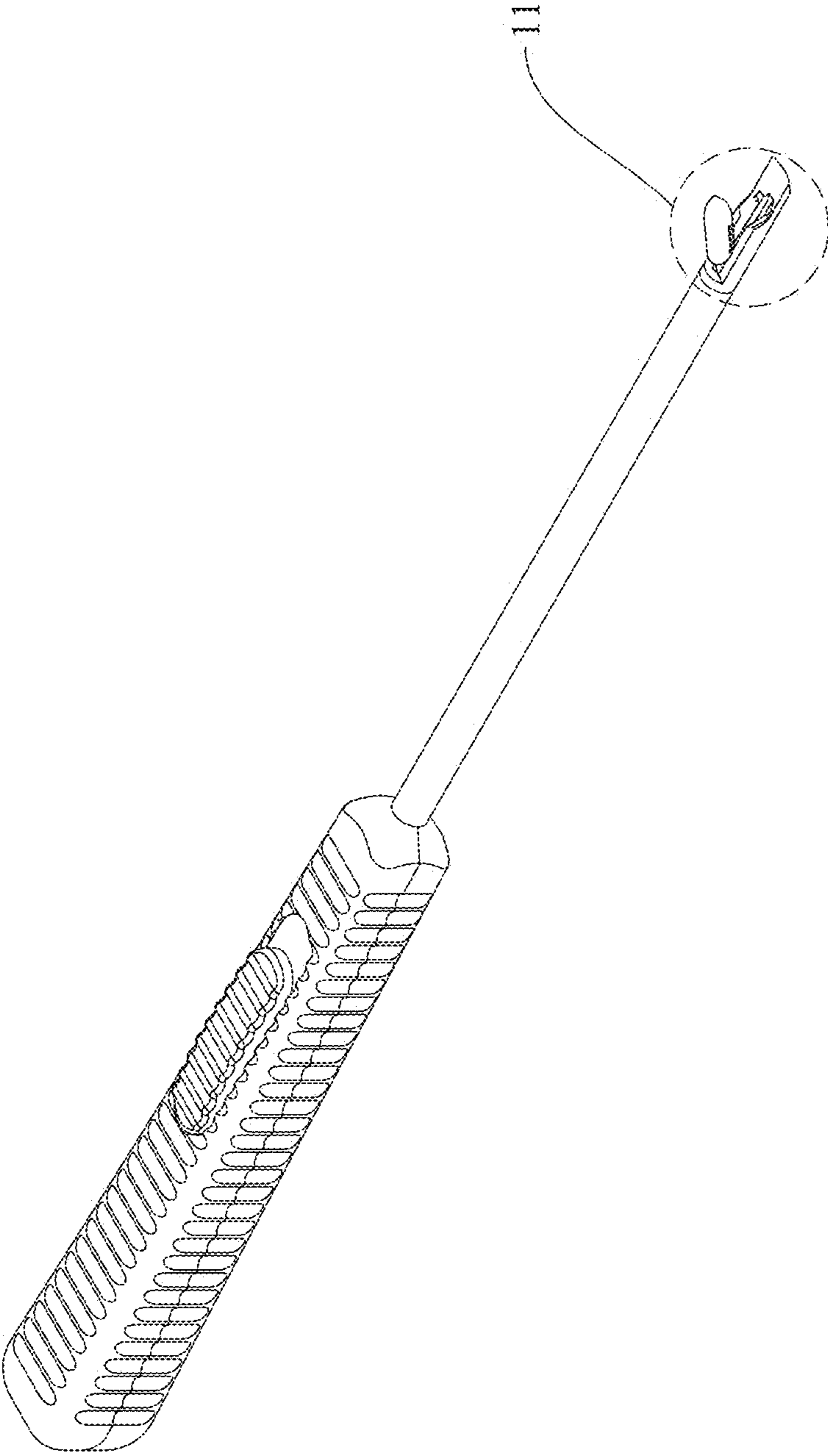


Fig. 8

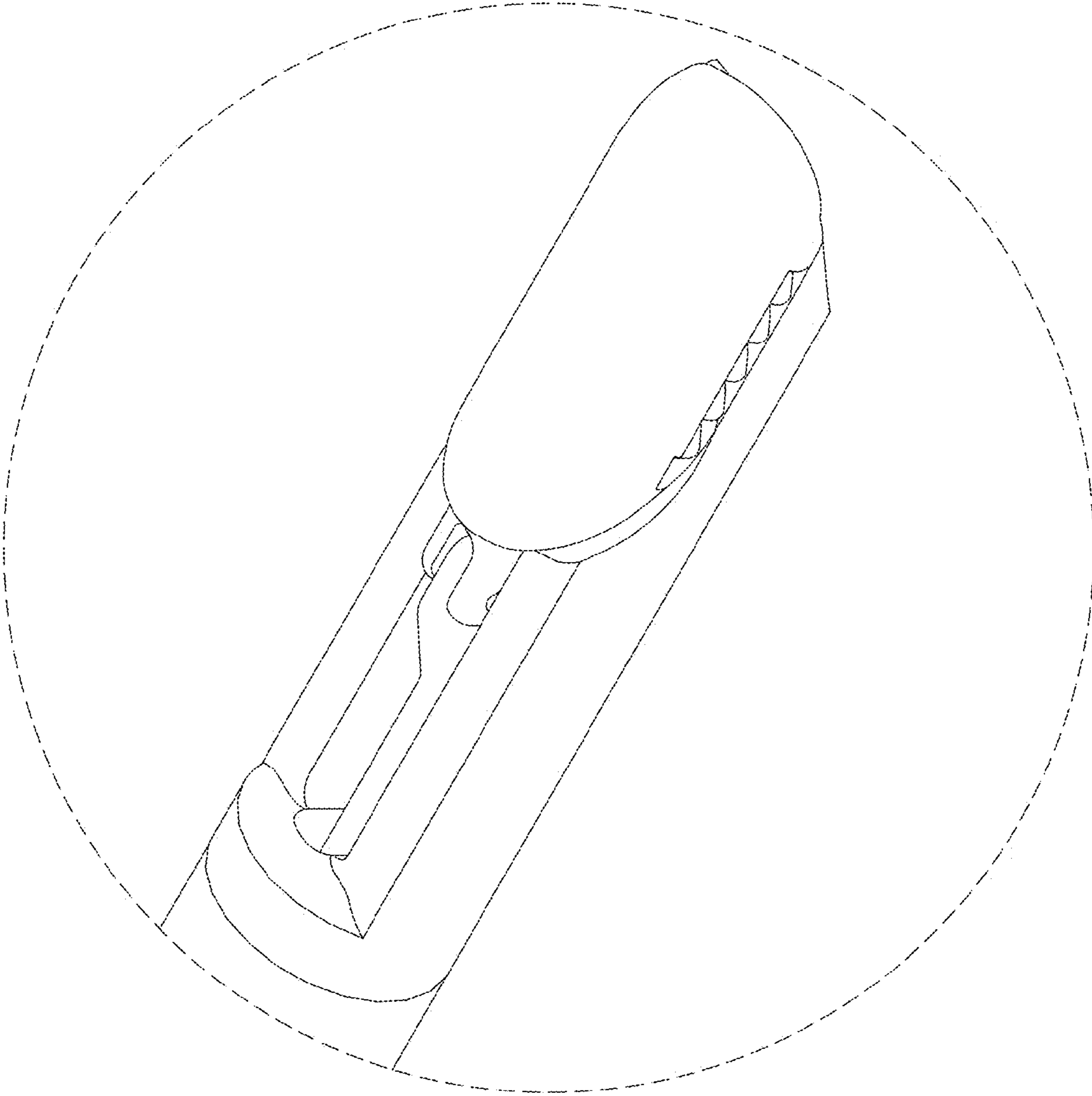


Fig. 9

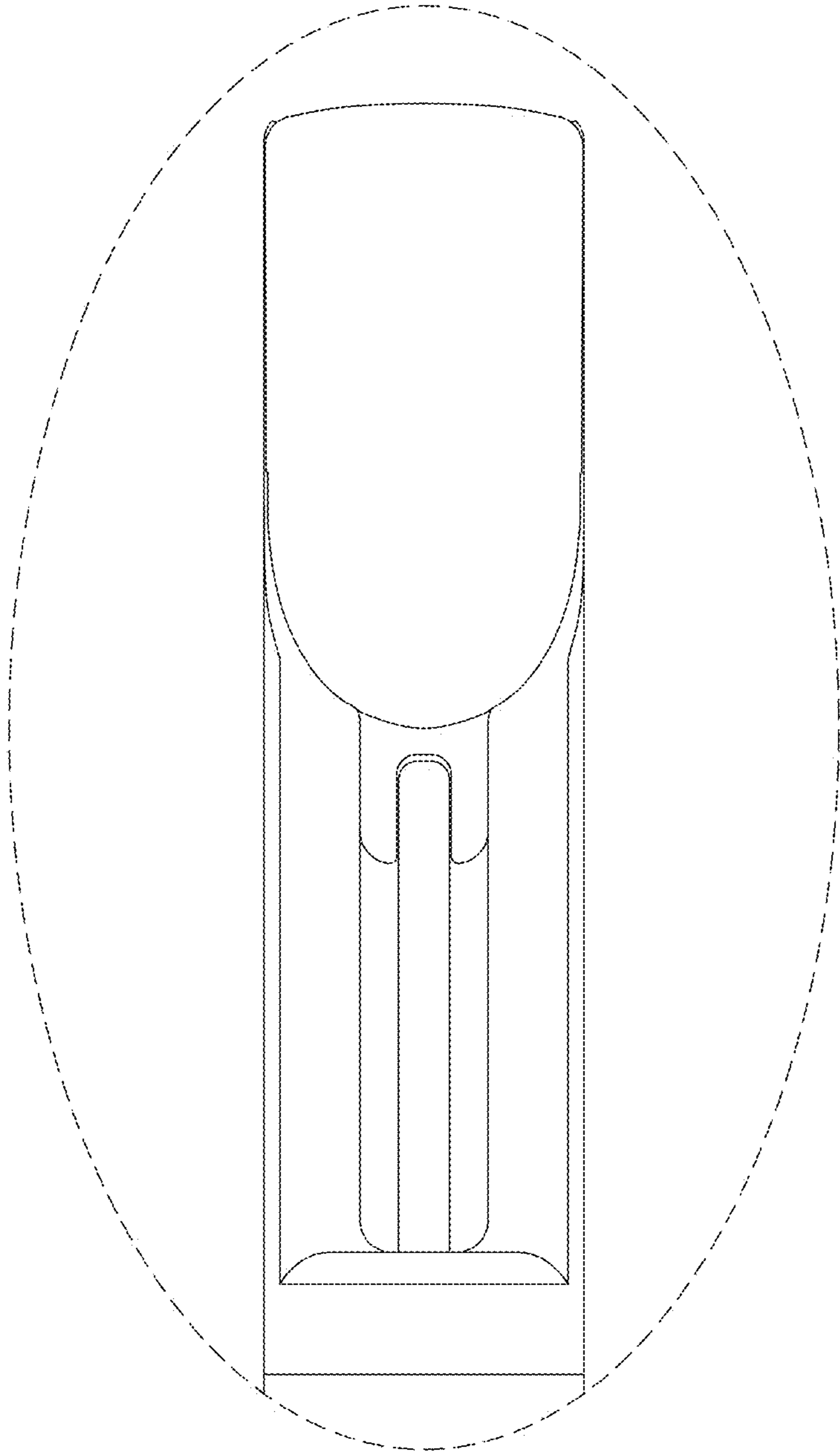


Fig. 10

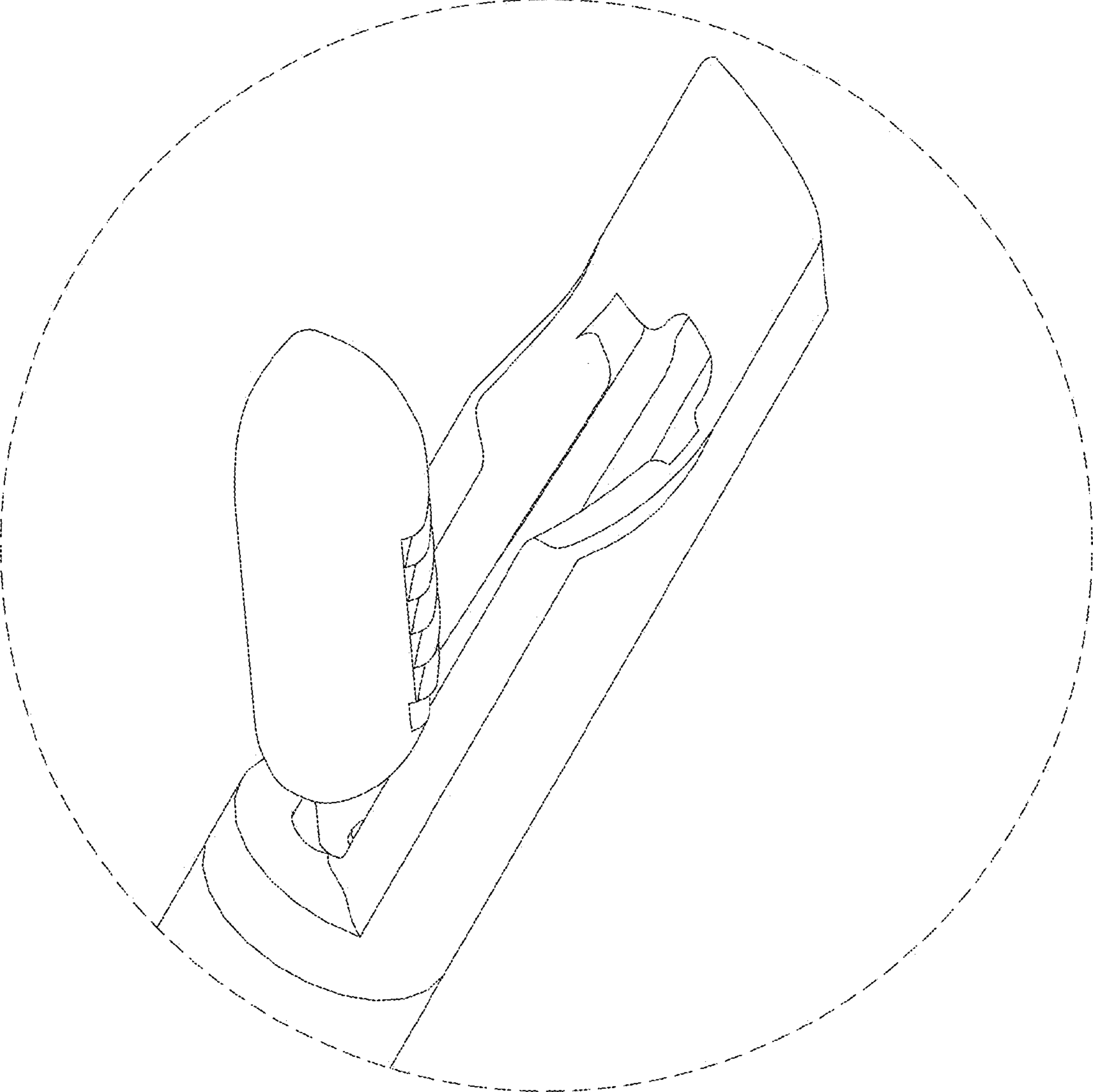


Fig. 11