



US00D951444S

(12) **United States Design Patent** (10) **Patent No.:** **US D951,444 S**
Renner et al. (45) **Date of Patent:** **** May 10, 2022**

(54) **BIPOLAR ELECTROSURGICAL JAWS** 8,025,630 B2 * 9/2011 Murakami A61B 17/320092
601/2

(71) Applicant: **Cilag GmbH International** 8,348,880 B2 * 1/2013 Messerly A61B 17/320092
604/22

(72) Inventors: **Ellen M. Renner**, Cincinnati, OH (US);
Geoffrey S. Strobl, Williamsburg, OH
(US); **Barry C. Worrell**, Centerville,
OH (US); **Gregory A. Trees**, Loveland,
OH (US); **Randolph C. Stewart**,
Cincinnati, OH (US) 8,652,135 B2 2/2014 Nau, Jr.
RE44,834 E 4/2014 Dumbauld
9,402,682 B2 8/2016 Worrell
9,566,062 B2 * 2/2017 Boudreaux A61B 18/1445
9,931,157 B2 4/2018 Strobl
10,159,506 B2 12/2018 Boudreaux
10,314,645 B2 6/2019 Yates
D865,963 S 11/2019 Unger
D866,761 S 11/2019 Liu
D888,951 S * 6/2020 Renner D24/144
11,058,472 B2 * 7/2021 Lesko A61B 17/320092

(73) Assignee: **Cilag GmbH International**, Zug (CH) 2018/0008388 A1 1/2018 Kopp
2019/0076159 A1 3/2019 Boudreaux
2019/0290353 A1 9/2019 Joseph
2021/0361348 A1 * 11/2021 Stewart A61B 17/29

(**) Term: **15 Years**

(21) Appl. No.: **29/739,126**

(22) Filed: **Jun. 23, 2020**

* cited by examiner

Related U.S. Application Data

(63) Continuation of application No. 29/670,366, filed on
Nov. 15, 2018, now Pat. No. Des. 888,951.

(51) **LOC (13) Cl.** **24-02**

(52) **U.S. Cl.**
USPC **D24/144**

(58) **Field of Classification Search**
USPC D24/143-144, 147-148, 170
CPC . A61B 18/1445; A61B 18/1442; A61B 17/29;
A61B 17/295; A61B 17/282; A61B
17/285; A61B 17/320092; A61B
2017/2926; A61B 2017/2905
See application file for complete search history.

Primary Examiner — Wan Laymon

(57) **CLAIM**

The ornamental design for bipolar electro-surgical jaws, as
shown and described.

DESCRIPTION

FIG. 1 is a top perspective view of bipolar electro-surgical
jaws;
FIG. 2 is a bottom perspective view thereof;
FIG. 3 is a top plan view thereof;
FIG. 4 is a right side elevation view thereof;
FIG. 5 is a bottom plan view thereof;
FIG. 6 is a left side elevation view thereof;
FIG. 7 is a reduced front elevation view thereof; and,
FIG. 8 is a reduced rear elevation view thereof.
The broken lines shown in the drawings are included for the
purpose of illustrating structural environment and form no
part of the claimed design.

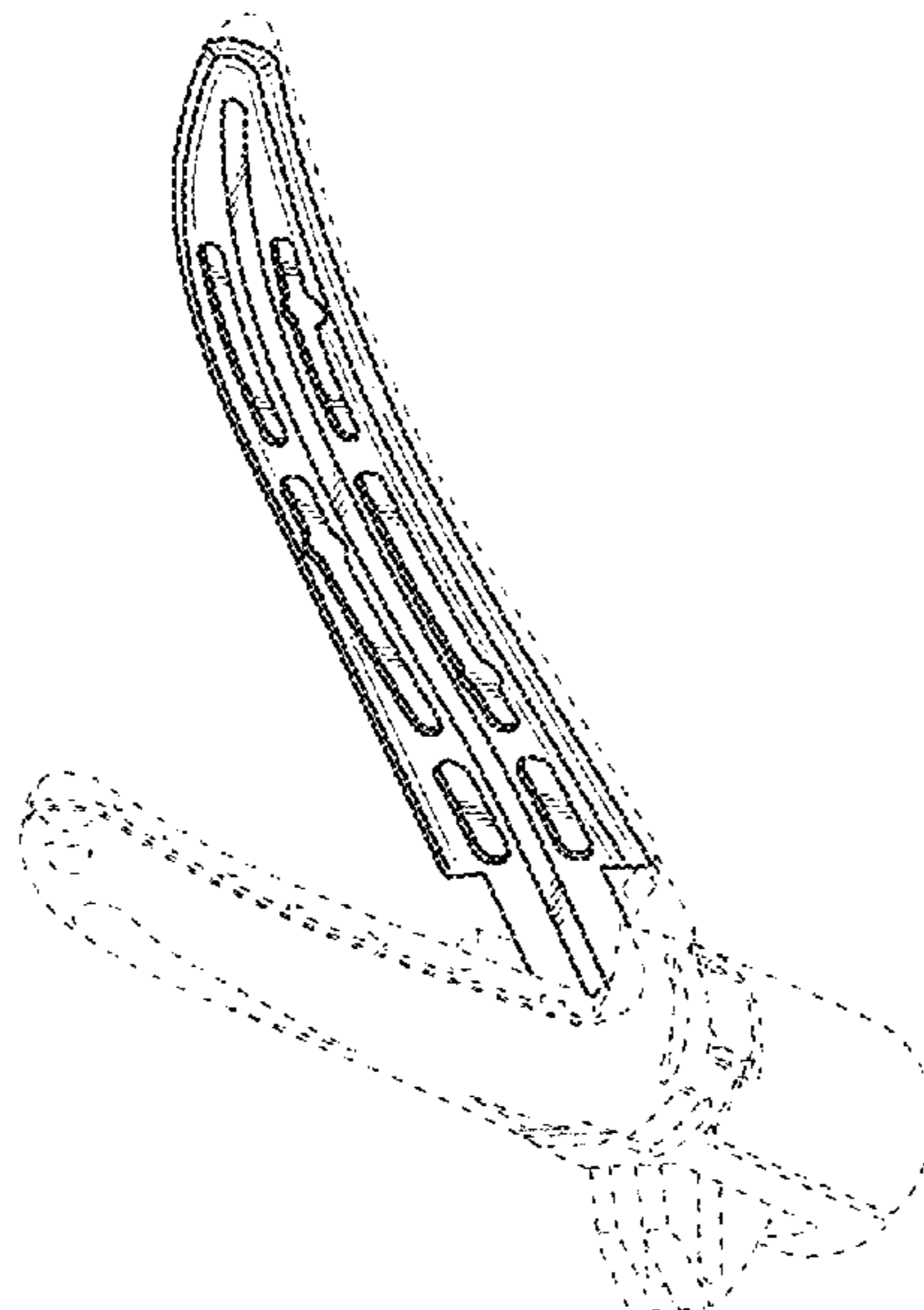
(56) **References Cited**

U.S. PATENT DOCUMENTS

6,228,083 B1 5/2001 Lands
6,325,811 B1 * 12/2001 Messerly A61B 17/320092
606/169

6,626,901 B1 9/2003 Treat
6,905,497 B2 6/2005 Truckai

1 Claim, 5 Drawing Sheets



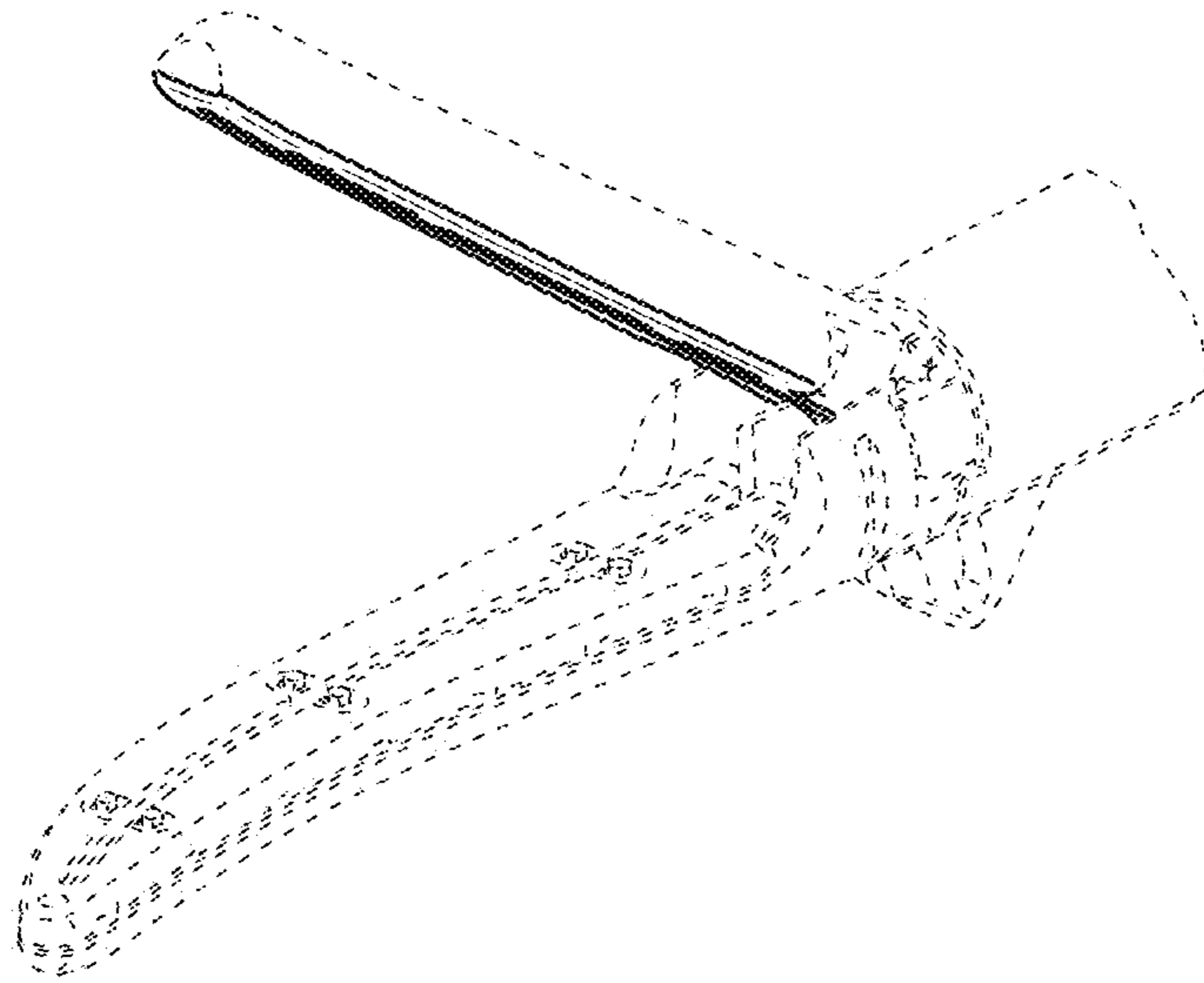


FIG. 1

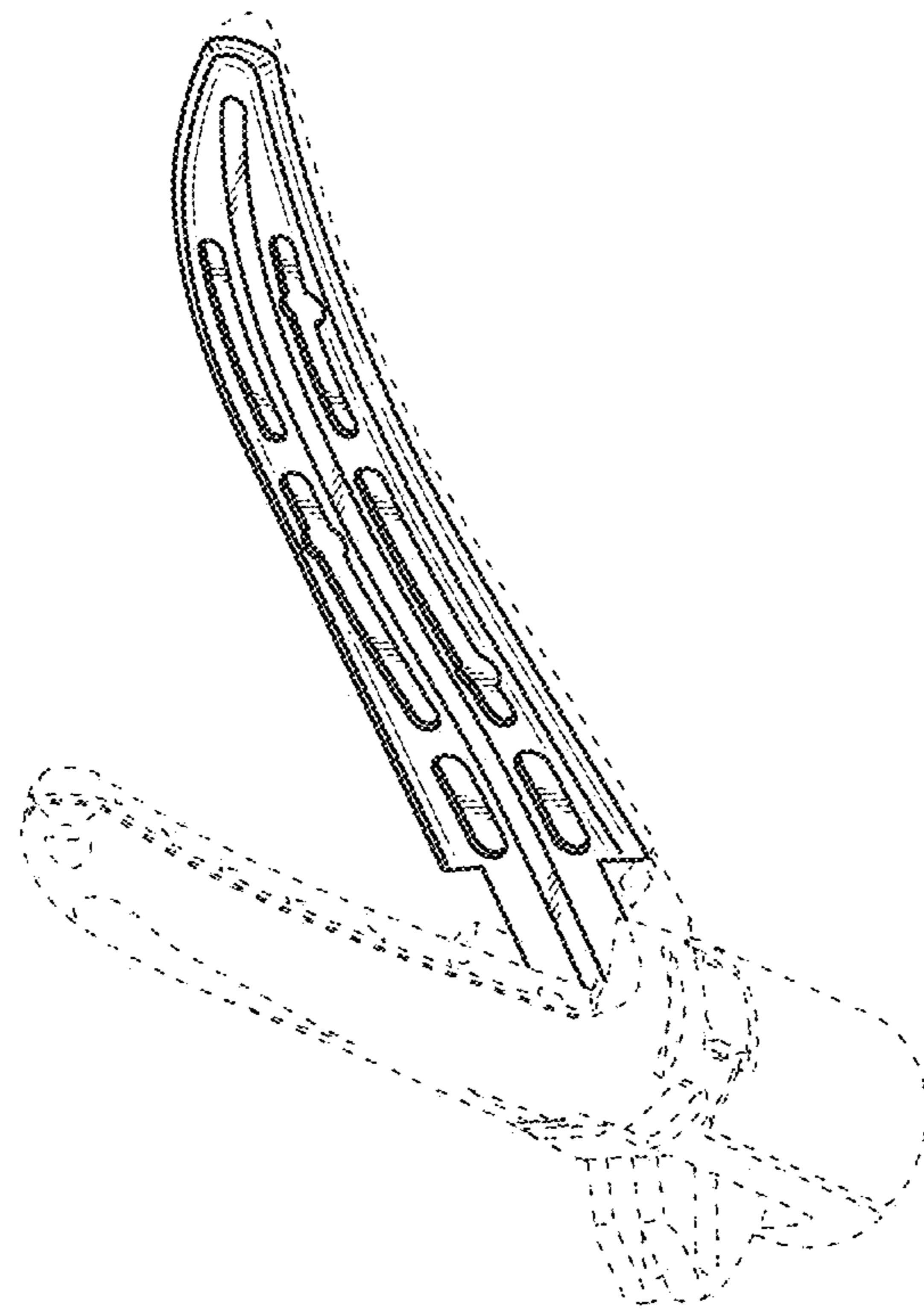


FIG. 2

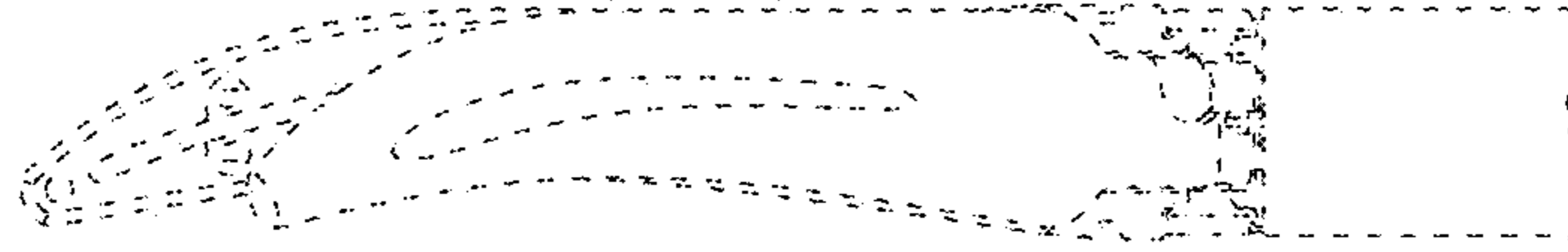


FIG. 3

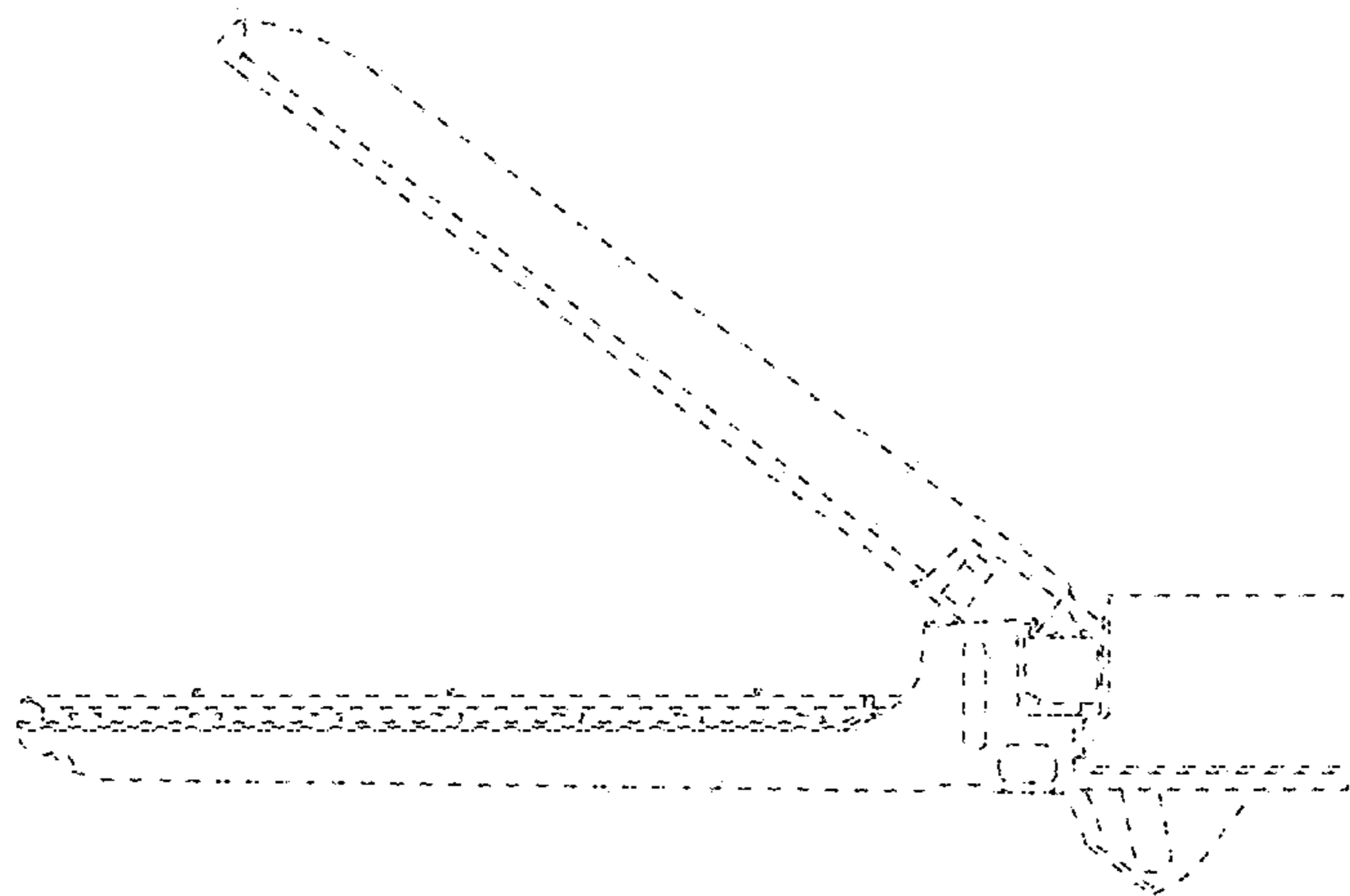


FIG. 4

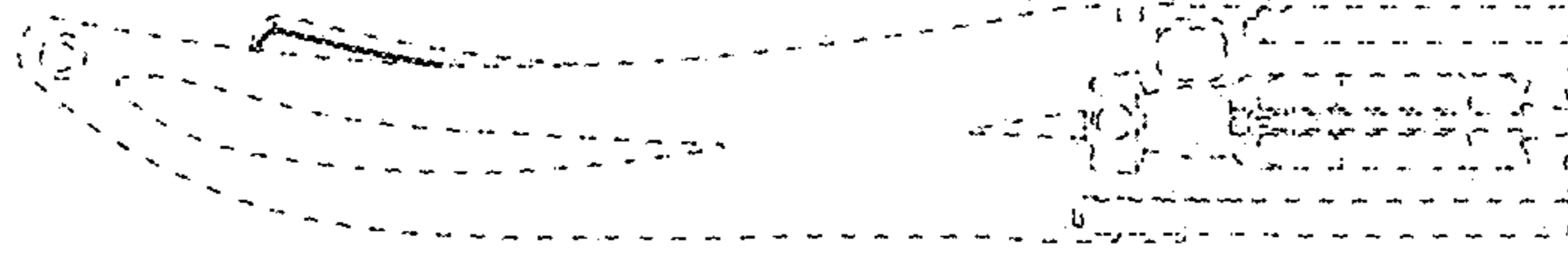


FIG. 5

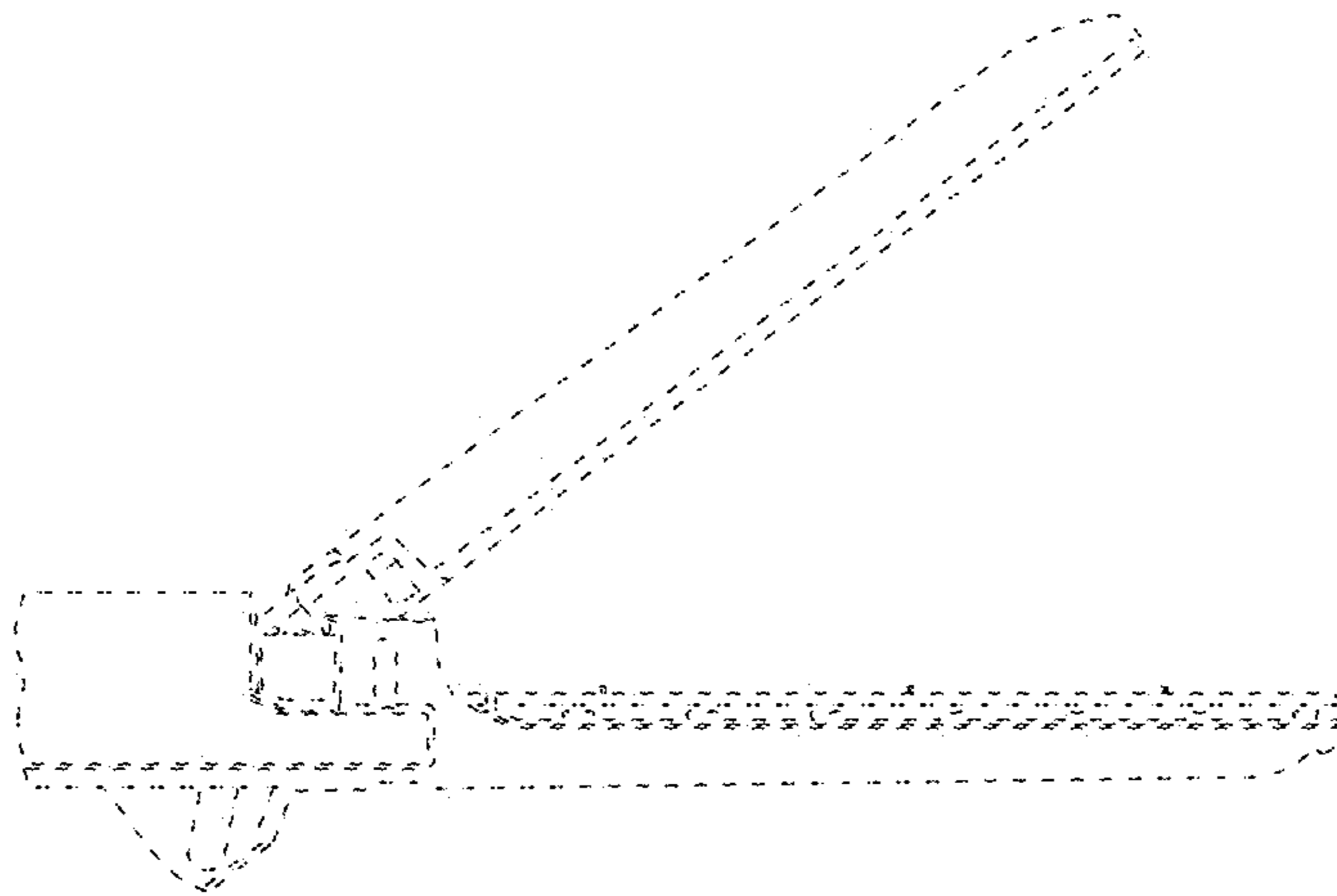


FIG. 6

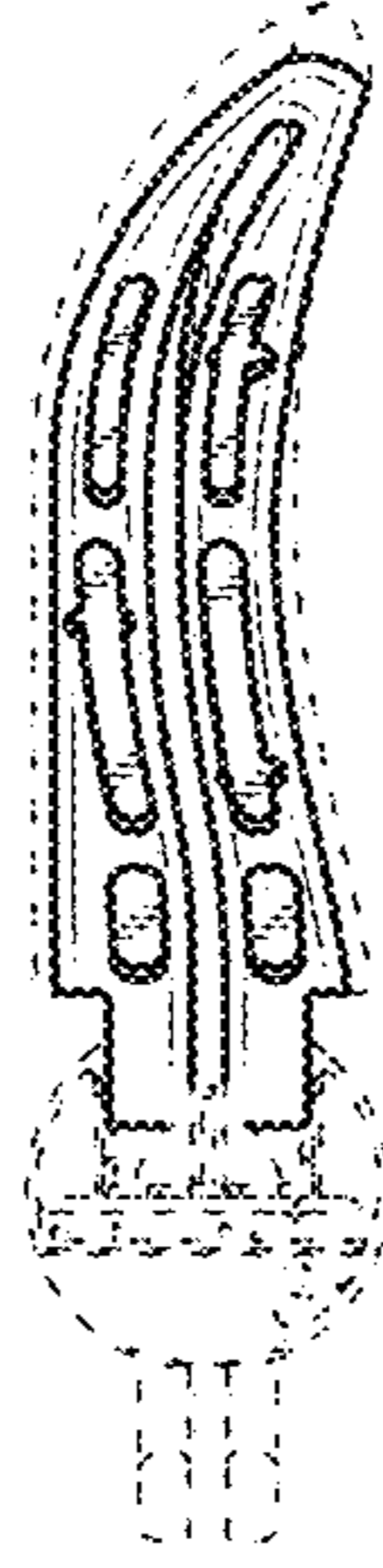


FIG. 7

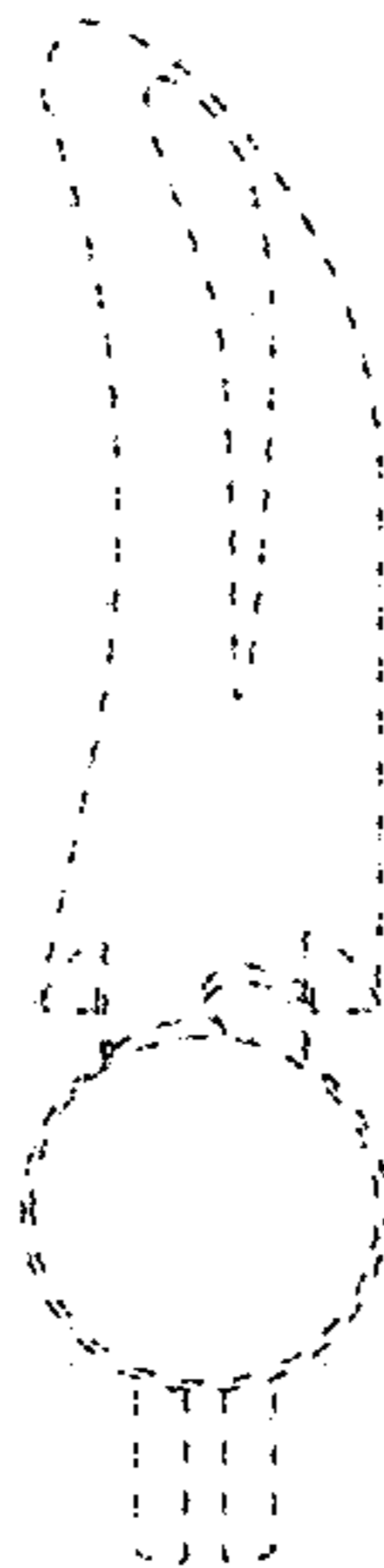


FIG. 8