



US00D951443S

(12) **United States Design Patent** (10) **Patent No.:** **US D951,443 S**  
**Alexander et al.** (45) **Date of Patent:** **\*\* May 10, 2022**

(54) **NASAL DILATOR**

(71) Applicant: **Simplicity, LLC**, Spanish Fork, UT (US)

(72) Inventors: **Ian J. Alexander**, Boerne, TX (US);  
**Brian D. Owens**, Plano, TX (US)

(73) Assignee: **Simplicity, LLC**, Spanish Fork, UT (US)

(\*\*) Term: **15 Years**

(21) Appl. No.: **29/663,744**

(22) Filed: **Sep. 18, 2018**

**Related U.S. Application Data**

(62) Division of application No. 29/492,717, filed on Jun. 2, 2014, now Pat. No. Des. 834,188.

(51) **LOC (13) Cl.** ..... **24-02**

(52) **U.S. Cl.**  
USPC ..... **D24/135**

(58) **Field of Classification Search**  
USPC ..... D24/106, 133, 135, 136, 152, 153, 154,  
D24/156; 600/104, 156, 208, 233, 431;  
606/199; 604/94.01, 275, 514  
(Continued)

(56) **References Cited**

**U.S. PATENT DOCUMENTS**

D238,173 S \* 12/1975 Felt ..... D24/149  
D247,512 S 3/1978 Sandler  
(Continued)

**FOREIGN PATENT DOCUMENTS**

CN 202179770 U 4/2012  
CN 102526868 A 7/2012  
(Continued)

**OTHER PUBLICATIONS**

CN 102526868, Xiuxang Song—English Translation Jul. 4, 2012.  
CN202179770, Yongsheng Tian—English Translation Apr. 4, 2012.

*Primary Examiner* — Samantha Q Lawrence  
(74) *Attorney, Agent, or Firm* — Goodhue, Coleman & Owens, P.C.

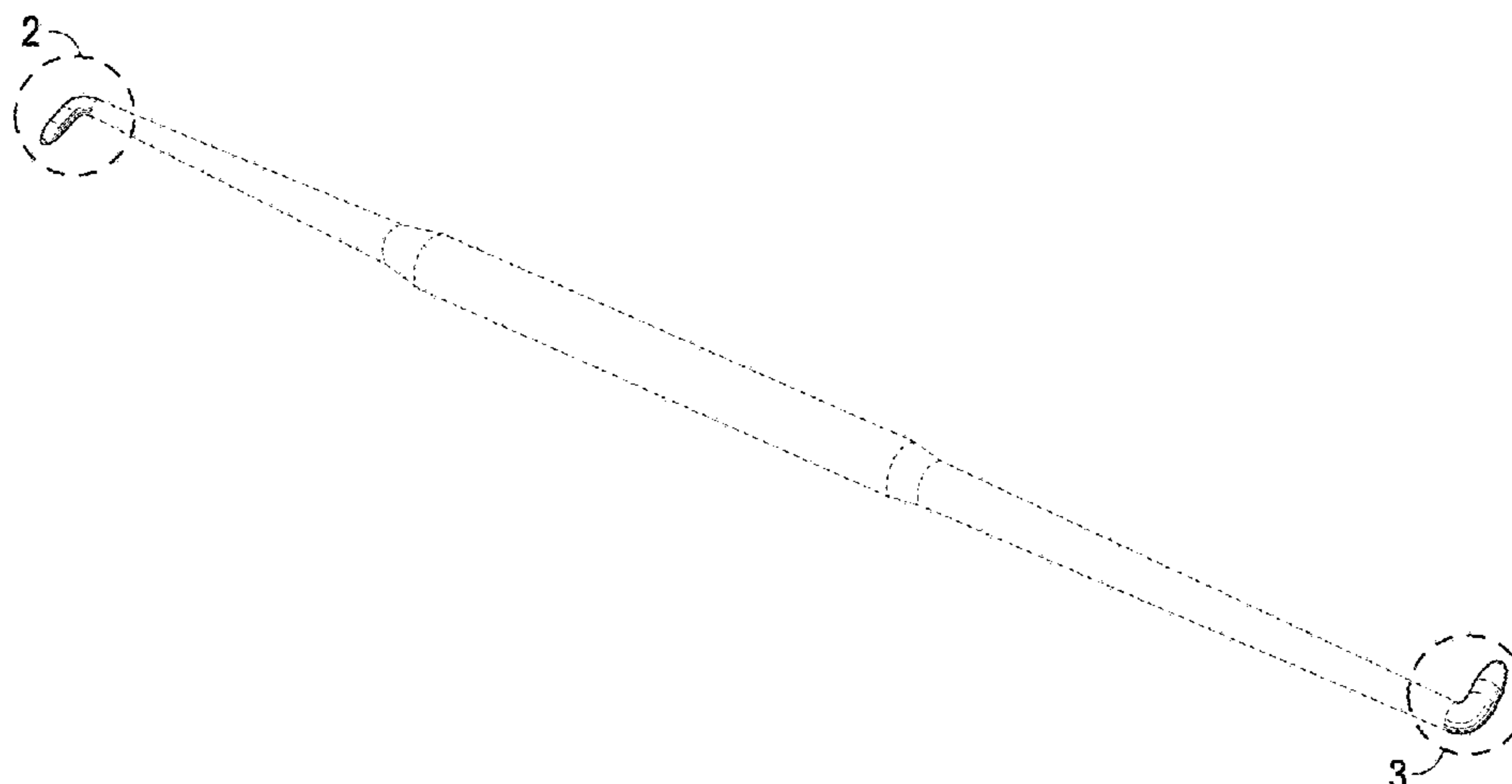
(57) **CLAIM**

The ornamental design for a nasal dilator, as shown and described.

**DESCRIPTION**

FIG. 1 is a perspective view of a nasal dilator showing our new design;  
FIG. 2 is an enlarged view of the left side of the nasal dilator shown in FIG. 1 taken along line 2;  
FIG. 3 is an enlarged view of the right side of the nasal dilator shown in FIG. 1 taken along line 3;  
FIG. 4 is a front view of the nasal dilator shown in FIG. 1;  
FIG. 5 is an enlarged view of the left side of the nasal dilator shown in FIG. 4 taken along line 5;  
FIG. 6 is an enlarged view of the right side of the nasal dilator shown in FIG. 4 taken along line 6;  
FIG. 7 is a back view of the nasal dilator shown in FIG. 1;  
FIG. 8 is an enlarged view of the left side of the nasal dilator shown in FIG. 7 taken along line 8;  
FIG. 9 is an enlarged view of the right side of the nasal dilator shown in FIG. 7 taken along line 9;  
FIG. 10 is a top view of the nasal dilator shown in FIG. 1;  
FIG. 11 is an enlarged view of the left side of the nasal dilator shown in FIG. 10 taken along line 11;  
FIG. 12 is an enlarged view of the right side of the nasal dilator shown in FIG. 10 taken along line 12;  
FIG. 13 is an end view of the right side of the nasal dilator shown in FIG. 1;  
FIG. 14 is an enlarged view of FIG. 13;  
FIG. 15 is an end view of the left side of the nasal dilator shown in FIG. 1; and,  
FIG. 16 is an enlarged view of FIG. 15.

(Continued)



In the drawings, the broken lines represent features of the nasal dilator that form no part of the claimed design.

**1 Claim, 5 Drawing Sheets**

**(58) Field of Classification Search**

CPC ..... A61M 29/02; A61M 2210/0681; A61M 3/0279; A61B 1/233; A61F 2/186  
See application file for complete search history.

**(56) References Cited**

**U.S. PATENT DOCUMENTS**

D258,688 S	3/1981	Hodge	
D269,206 S *	5/1983	Glassman .....	D24/135
5,207,702 A	5/1993	Pearl	
5,284,128 A	2/1994	Hart	
D379,227 S	5/1997	Rosen	
D382,342 S	8/1997	Rosen	
D436,174 S	1/2001	Komamura	
D438,954 S	3/2001	Orsing	
D439,979 S	4/2001	Strobel et al.	
D442,687 S	5/2001	Schulz	
6,241,729 B1	6/2001	Estes et al.	
D453,378 S	2/2002	Mangione	
D460,555 S *	7/2002	Holbrook .....	D24/156
D485,358 S	1/2004	Woo	
D516,722 S	3/2006	Mak	
D531,727 S	11/2006	Mak	
D571,468 S	6/2008	Wu	
D571,913 S	6/2008	Wu	
D586,914 S *	2/2009	DaSilva .....	D24/135
D588,747 S *	3/2009	Wittke-Kothe .....	D24/149
7,771,409 B2	8/2010	Chang et al.	
D623,741 S	9/2010	Kupferschmid et al.	
7,803,150 B2	9/2010	Chang et al.	
D627,460 S	11/2010	Horton	
D629,896 S	12/2010	Horton	
D631,962 S	2/2011	Dorman	
D644,737 S	9/2011	Sonoi	

D648,021 S	11/2011	Dorman	
8,172,828 B2	5/2012	Chang et al.	
8,182,432 B2	5/2012	Kim et al.	
D665,076 S	8/2012	Sauer et al.	
D666,292 S	8/2012	Miles et al.	
D666,293 S	8/2012	Miles et al.	
8,679,103 B2	3/2014	Krespi	
8,721,591 B2	5/2014	Chang et al.	
8,834,513 B2	9/2014	Hanson et al.	
D724,725 S	3/2015	Chang	
D735,856 S	8/2015	Koch	
9,138,569 B2	9/2015	Edgren et al.	
D772,408 S *	11/2016	Alexander .....	D24/135
D792,589 S *	7/2017	Alexander .....	D24/135
D802,127 S *	11/2017	Alexander .....	D24/135
D804,665 S *	12/2017	Alexander .....	D24/137
D834,188 S *	11/2018	Alexander .....	D24/135
D852,952 S *	7/2019	Alexander .....	D24/135
D865,957 S *	11/2019	Alexander .....	D24/135
D865,958 S *	11/2019	Alexander .....	D24/135
D912,813 S *	3/2021	Harder .....	D24/135
D920,508 S *	5/2021	Alexander .....	D24/135
2004/0073141 A1	4/2004	Hartley et al.	
2010/0071857 A1	3/2010	Hung	
2010/0198247 A1	8/2010	Chang et al.	
2010/0203474 A1	8/2010	Chen	
2011/0021975 A1	1/2011	Covello	
2011/0022172 A1	1/2011	Gonzales et al.	
2012/0053404 A1	3/2012	Schreck et al.	
2012/0071857 A1	3/2012	Goldfarb et al.	
2012/0330345 A1	12/2012	Tasca	
2013/0253567 A1	9/2013	Edgren et al.	
2013/0274600 A1	10/2013	Jenkins et al.	
2015/0066071 A1	3/2015	Alexander et al.	

**FOREIGN PATENT DOCUMENTS**

WO	2008036149 A2	3/2008
WO	2013130464 A1	9/2013
WO	2013155409 A1	10/2013
WO	2015035048 A2	3/2015

\* cited by examiner

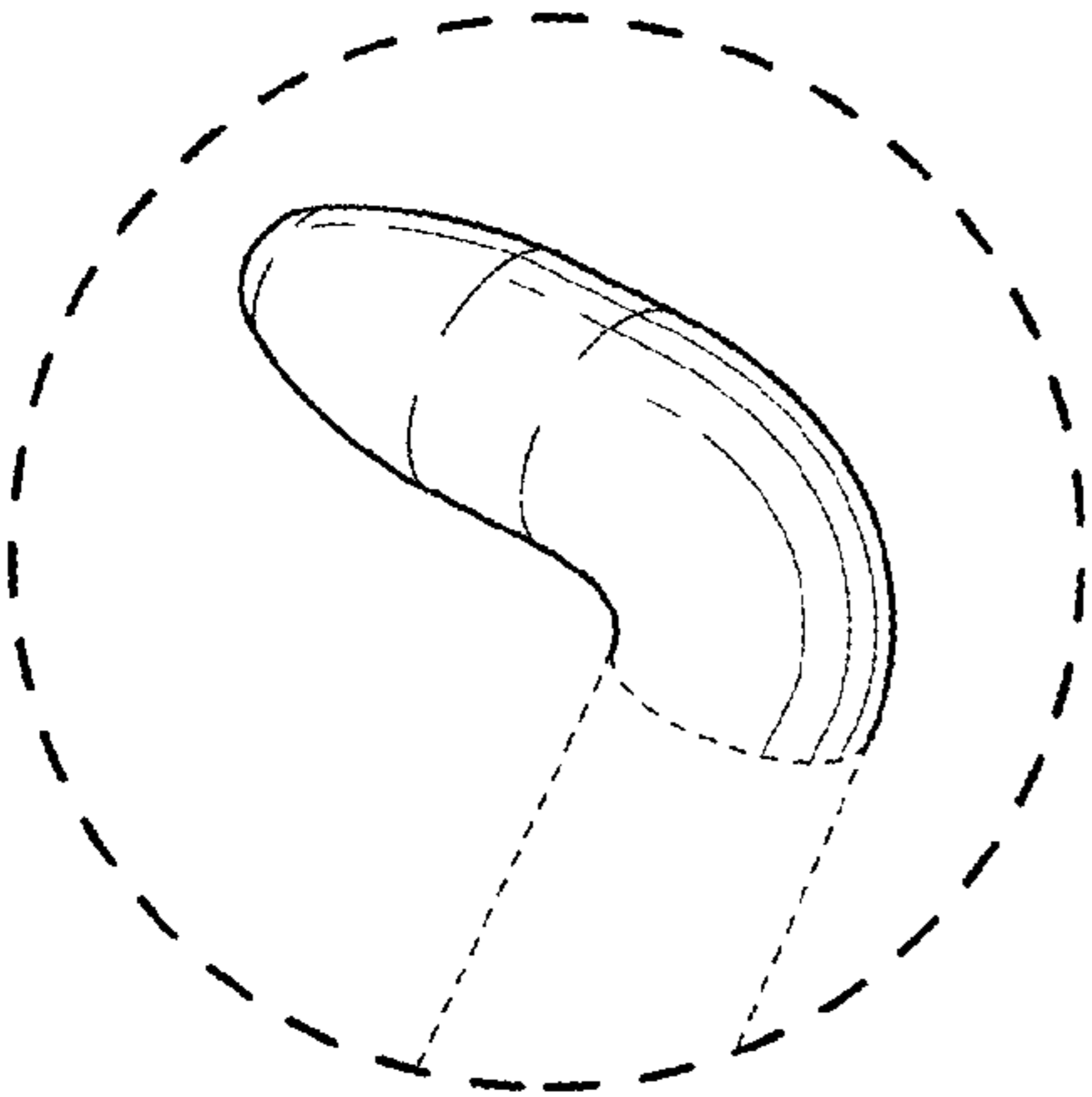


FIG. 3

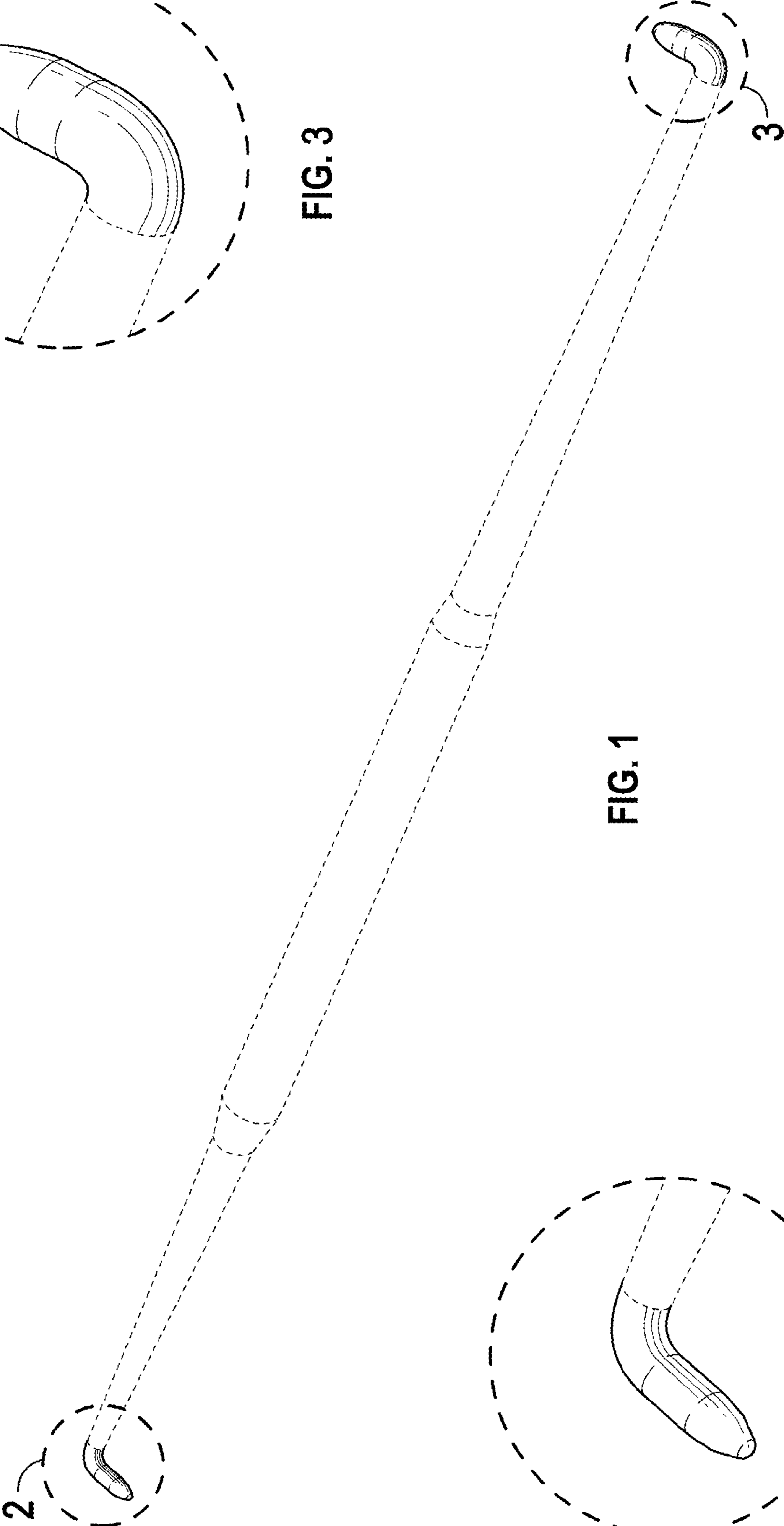


FIG. 1

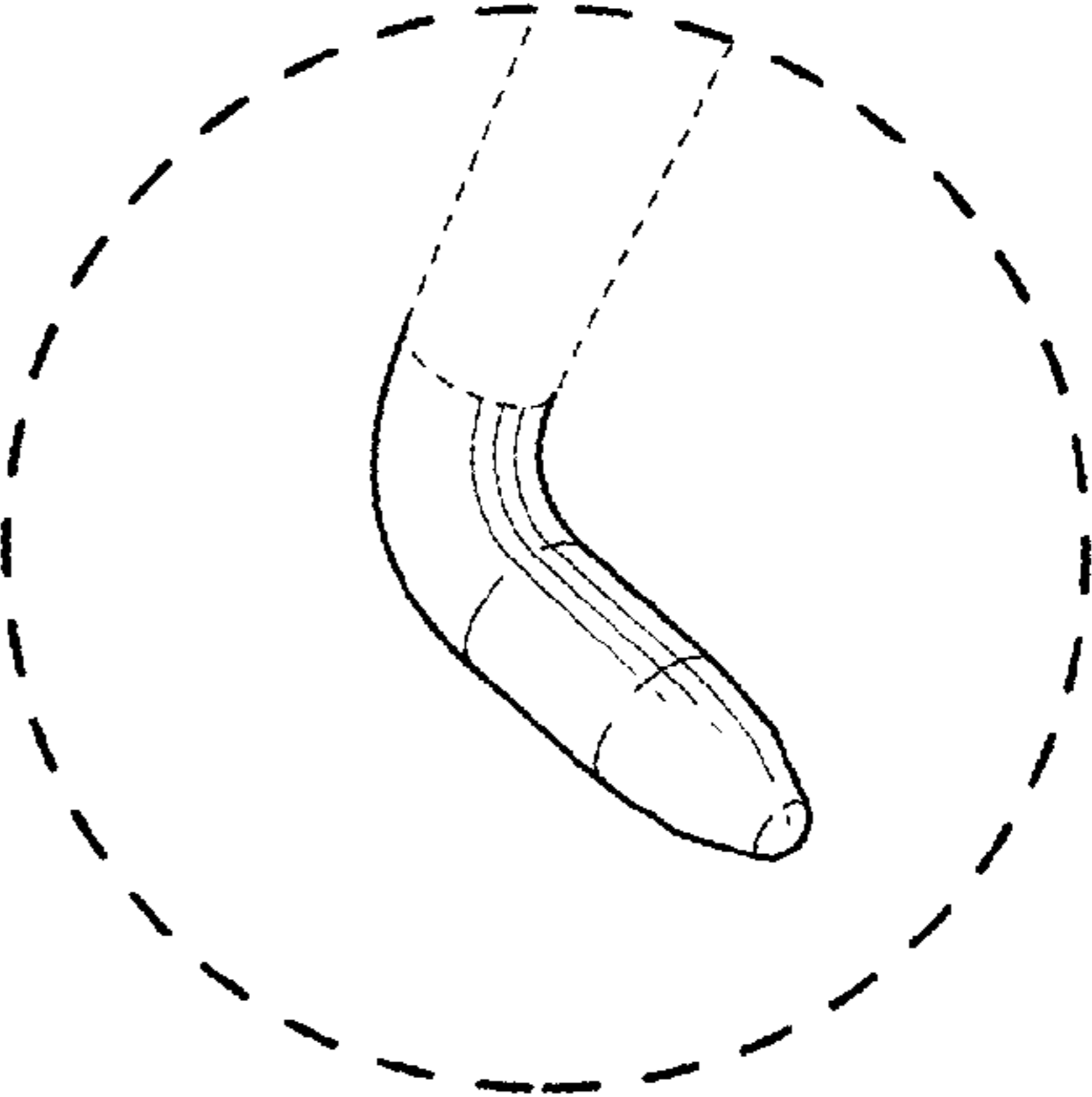


FIG. 2

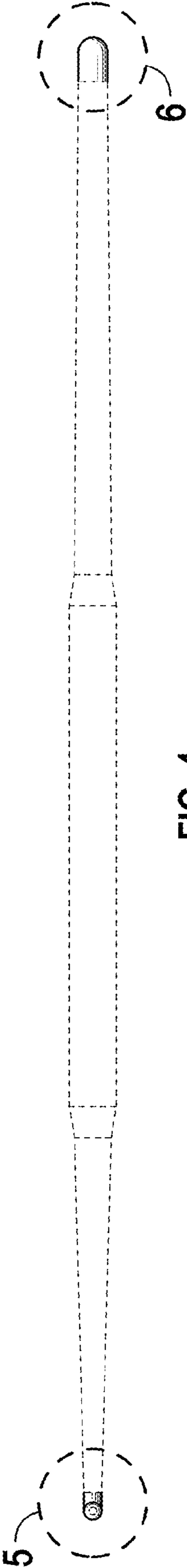


FIG. 4

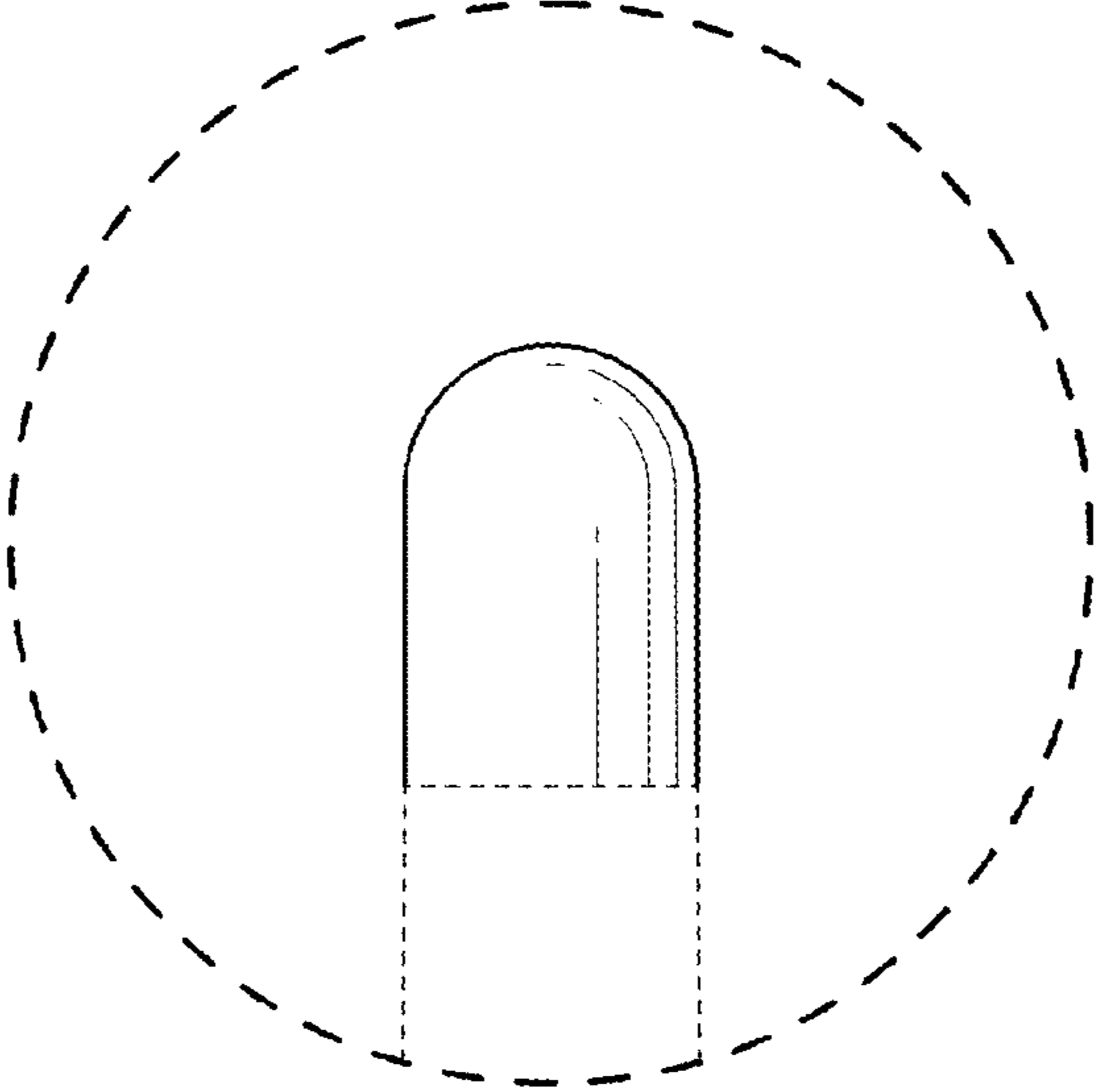


FIG. 5

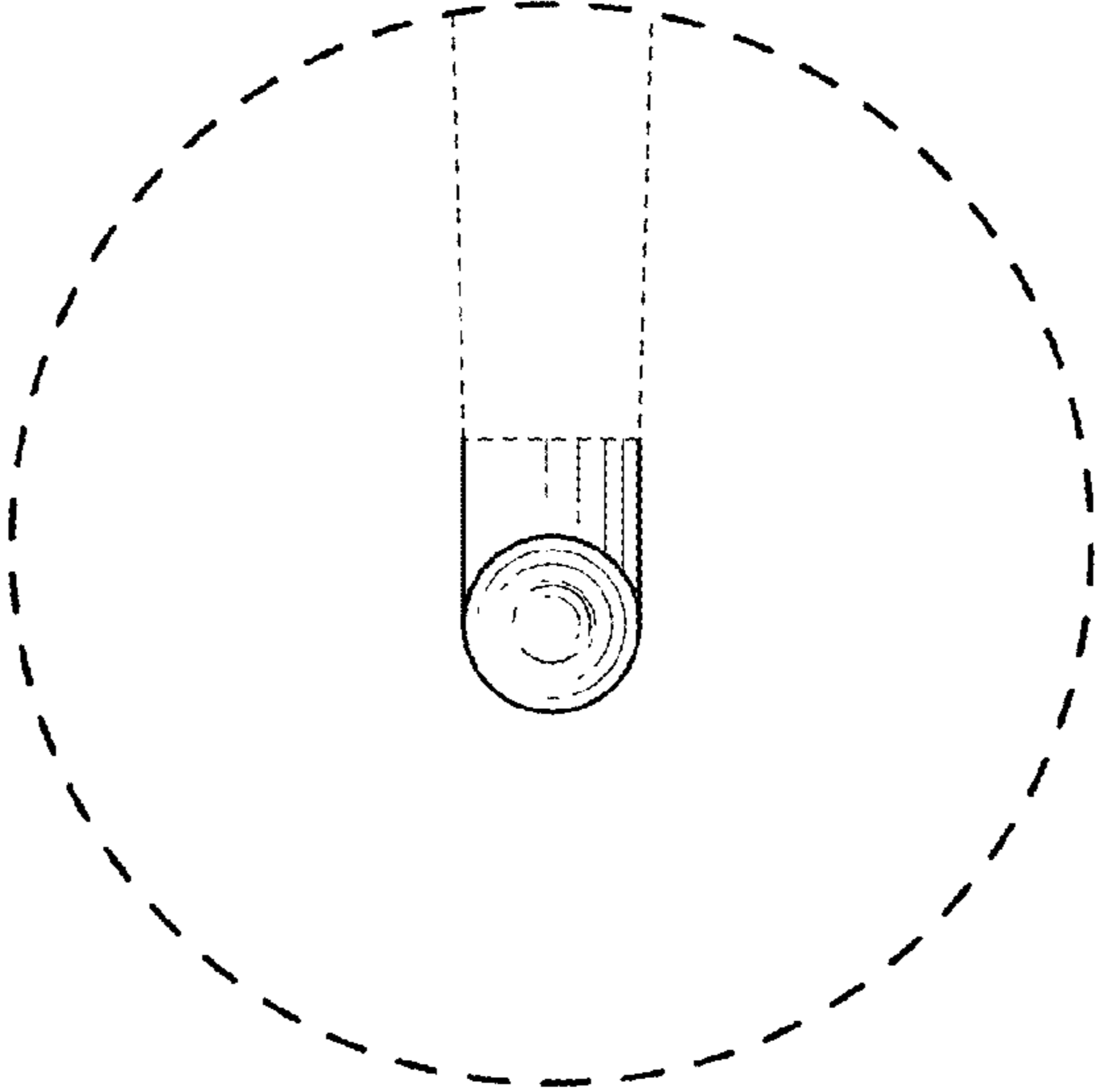


FIG. 6

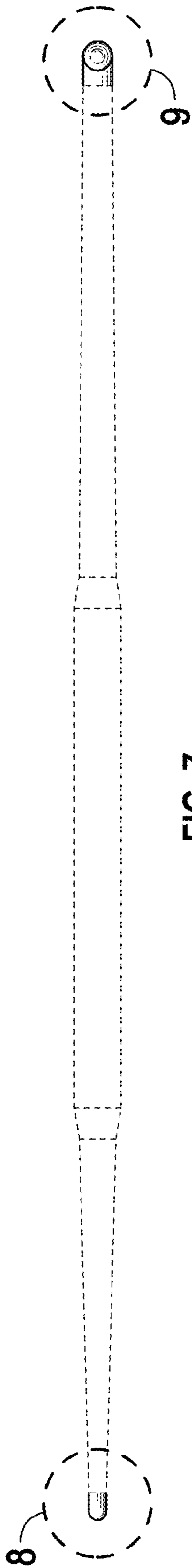


FIG. 7

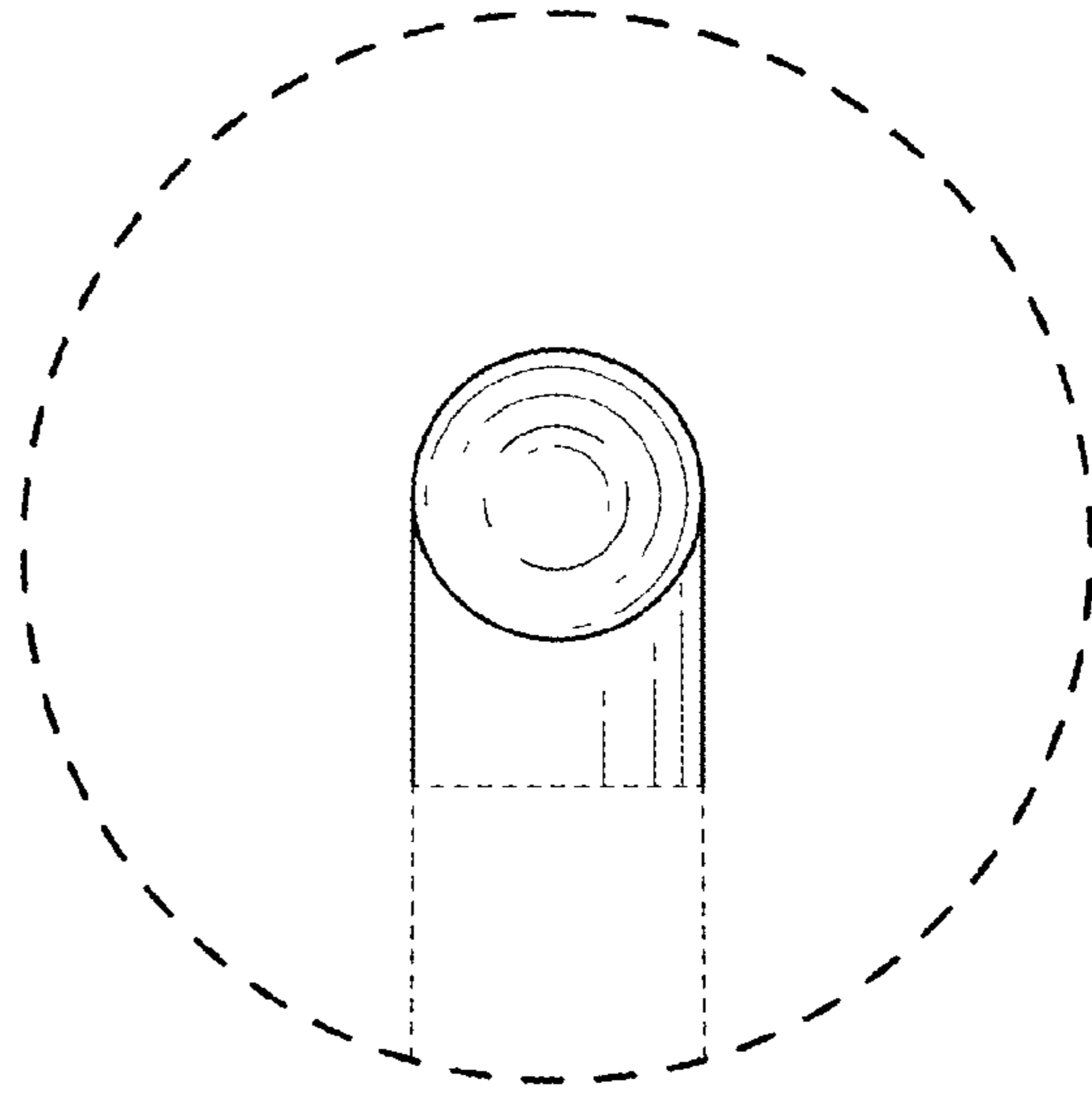


FIG. 9

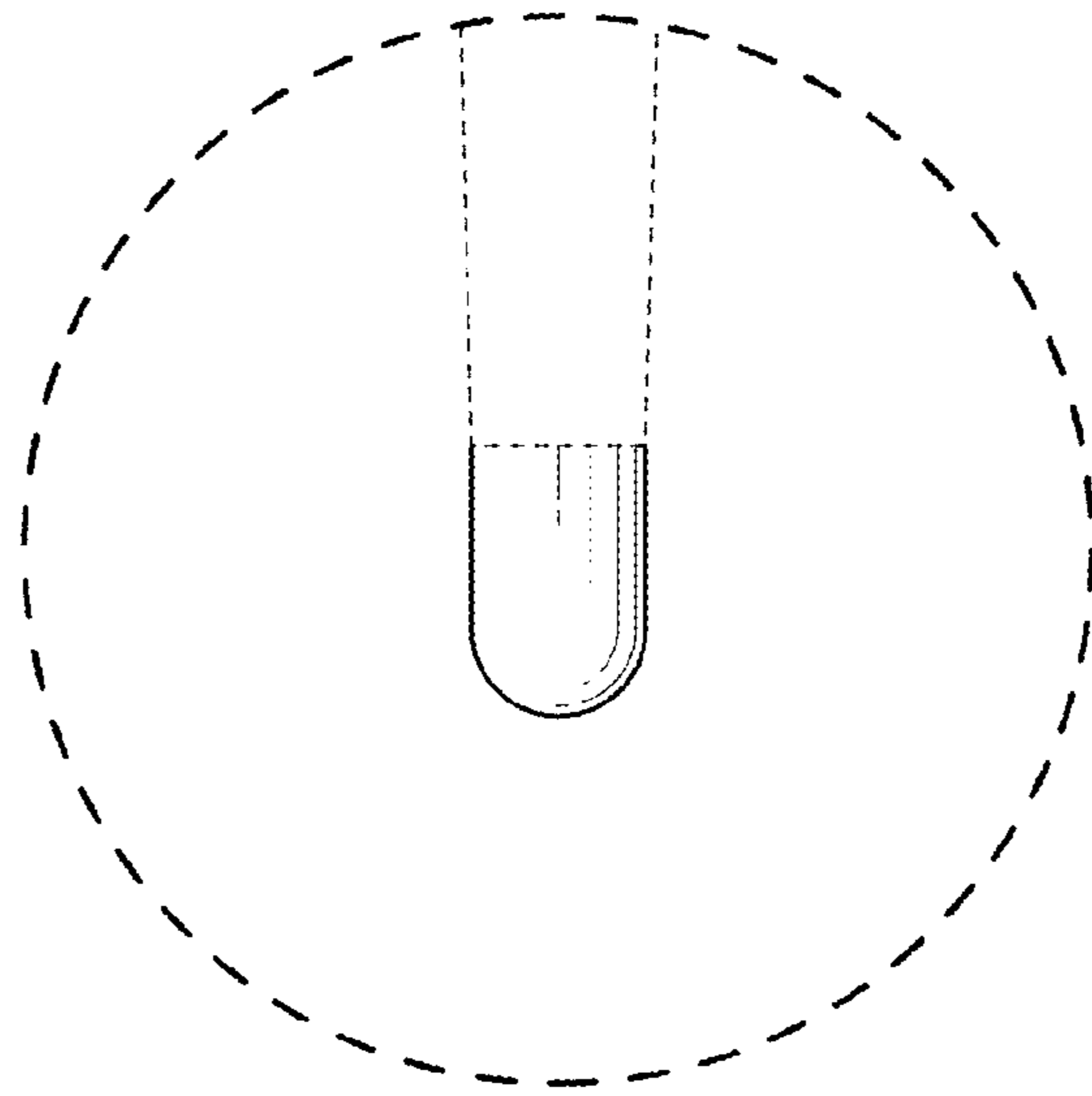
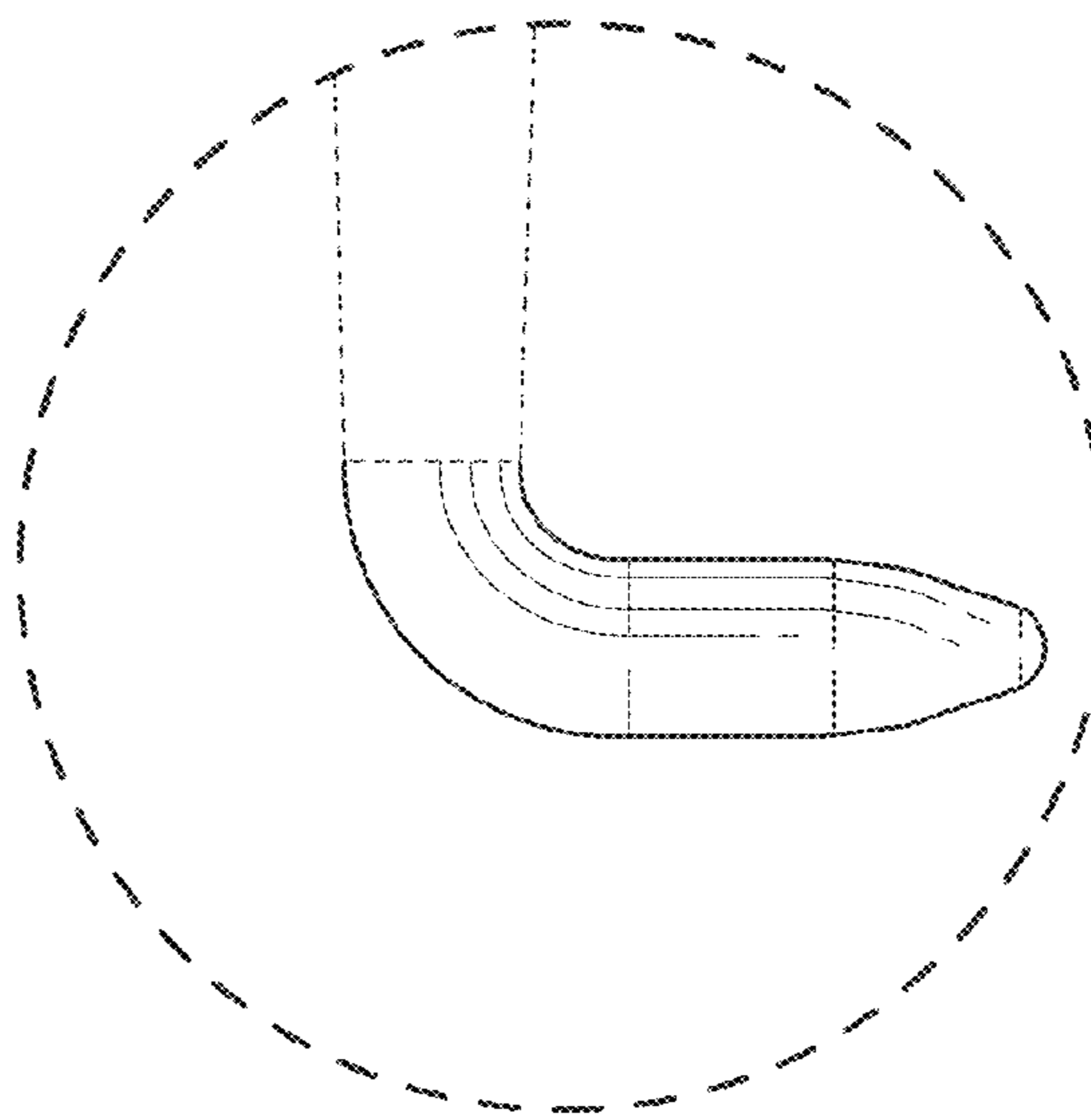
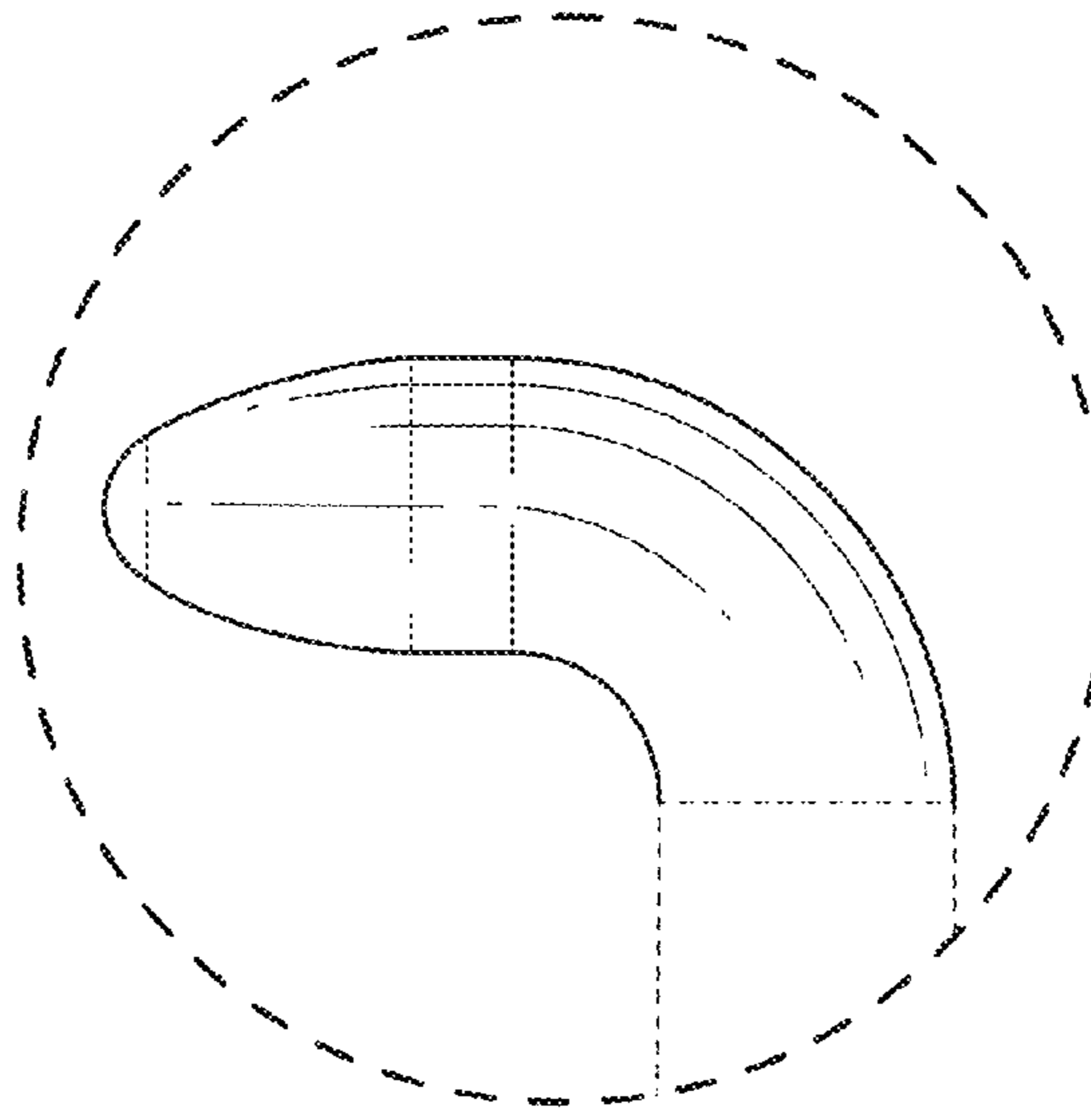
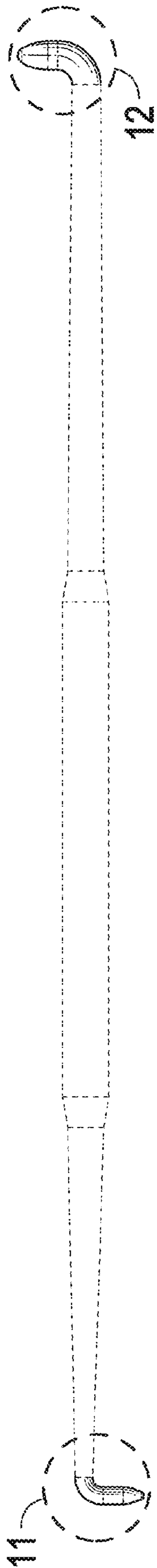


FIG. 8





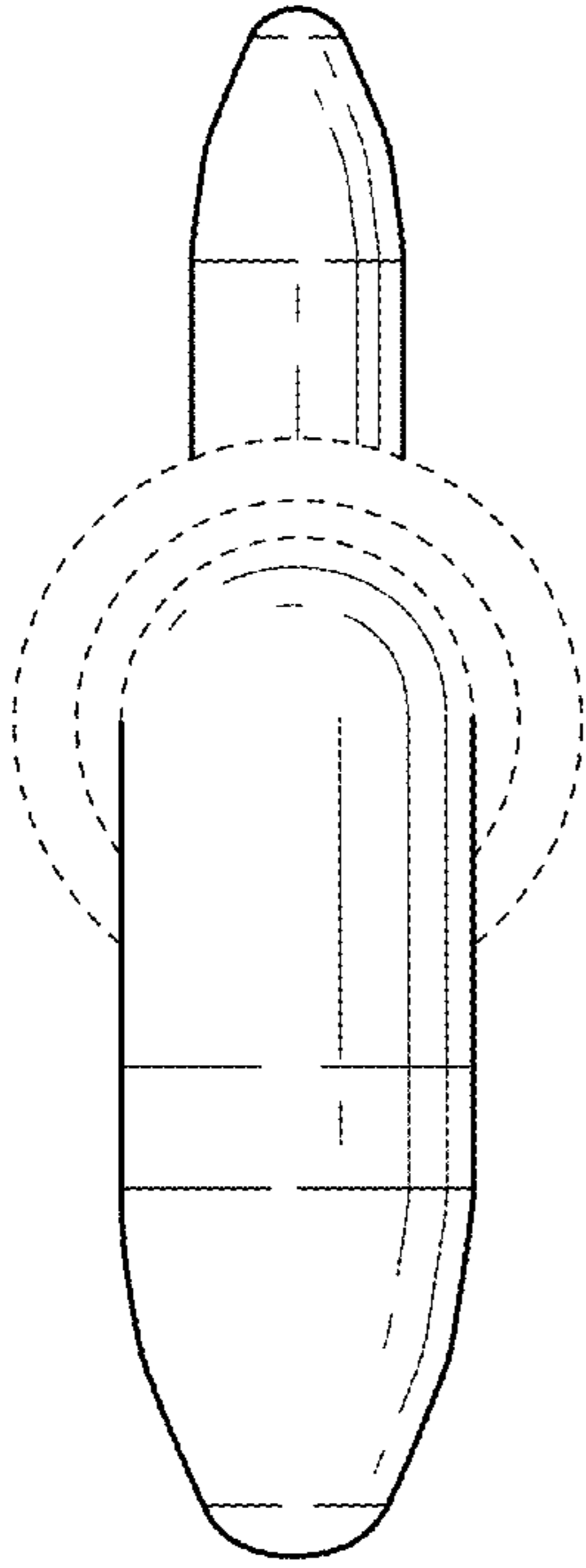


FIG. 14

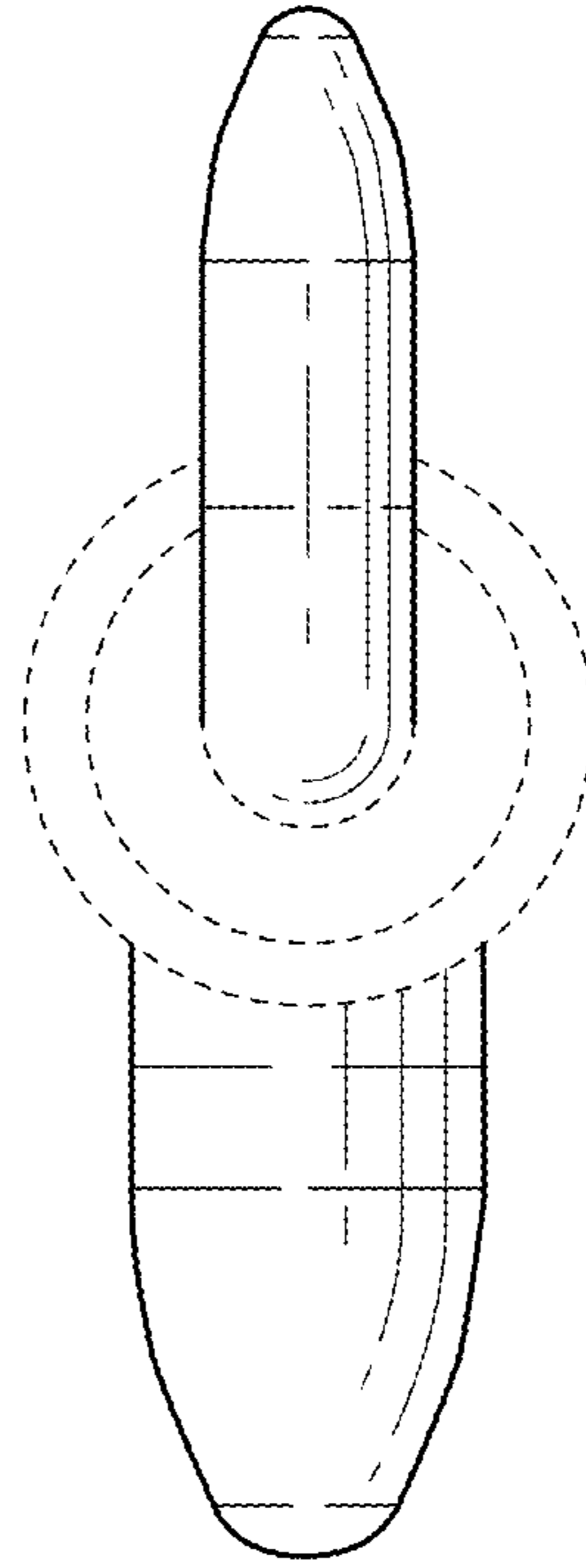


FIG. 16



FIG. 13



FIG. 15