



US00D951442S

(12) **United States Design Patent** (10) **Patent No.:** **US D951,442 S**  
**Lee et al.** (45) **Date of Patent:** **\*\* May 10, 2022**

(54) **HANDLE FOR SURGICAL INSTRUMENT**

(56) **References Cited**

(71) Applicant: **LIVSMED INC.**, Seongnam-si (KR)

U.S. PATENT DOCUMENTS

(72) Inventors: **Jung Joo Lee**, Seongnam-si (KR); **Hee Jin Kim**, Seongnam-si (KR); **Jin Ho Kwon**, Seongnam-si (KR); **Dong Hwan Bae**, Seongnam-si (KR); **Dong Kyu Jang**, Seongnam-si (KR)

D546,464 S \* 7/2007 Savoia ..... D24/200  
D738,502 S \* 9/2015 Jian ..... D24/146  
D739,014 S \* 9/2015 Hsu ..... D24/133  
D803,644 S \* 11/2017 Schiff ..... D8/19  
D811,592 S \* 2/2018 Hsu ..... D24/136  
D841,416 S \* 2/2019 Davison ..... D8/14  
D848,806 S \* 5/2019 Lauterbach ..... D8/47  
D897,530 S \* 9/2020 Beer ..... D24/141  
D908,215 S \* 1/2021 Connolly ..... D24/134  
D908,873 S \* 1/2021 Kwon ..... D24/133

(73) Assignee: **LIVSMED INC.**, Seongnam-si (KR)

(Continued)

(\*\*) Term: **15 Years**

(21) Appl. No.: **35/511,147**

OTHER PUBLICATIONS

(22) Filed: **Jul. 9, 2020**

Mobile Health News. Genesis MedTech brings its articulating laparoscopic devices to China, Singapore. May 10, 2021. <https://www.mobihealthnews.com/news/asia/genesis-medtech-brings-its-articulating-laparoscopic-devices-china-singapore> (Year: 2021).\*

(80) **Hague Agreement Data**

Int. Filing Date: **Jul. 9, 2020**  
Int. Reg. No.: **DM/209574**  
Int. Reg. Date: **Jul. 9, 2020**  
Int. Reg. Pub. Date: **Jan. 15, 2021**

*Primary Examiner* — Darcey E Gottschalk  
(74) *Attorney, Agent, or Firm* — Novick, Kim & Lee, PLLC; Sang Ho Lee; Hyun Woo Shin

(30) **Foreign Application Priority Data**

(57) **CLAIM**

Jan. 10, 2020 (KR) ..... 30-2020-0001304

The ornamental design for a handle for surgical instrument, as shown and described.

(51) **LOC (13) Cl.** ..... **24-02**

**DESCRIPTION**

(52) **U.S. Cl.**

USPC ..... **D24/133**

1. Handle for surgical instrument

(58) **Field of Classification Search**

USPC ..... D24/112–115, 129–131, 133, 137, 140, D24/141, 144, 146, 147, 14, 16, 19, 21, D24/34, 77, 82–86, 107, 300, 303, 314, D24/372, 374, 394; D8/106, 108, 109, D8/116, 117, 127, 134, 136, 196, 200, D8/210, 214

1.1 : Perspective

1.2 : Front

1.3 : Back

1.4 : Left

1.5 : Right

1.6 : Top

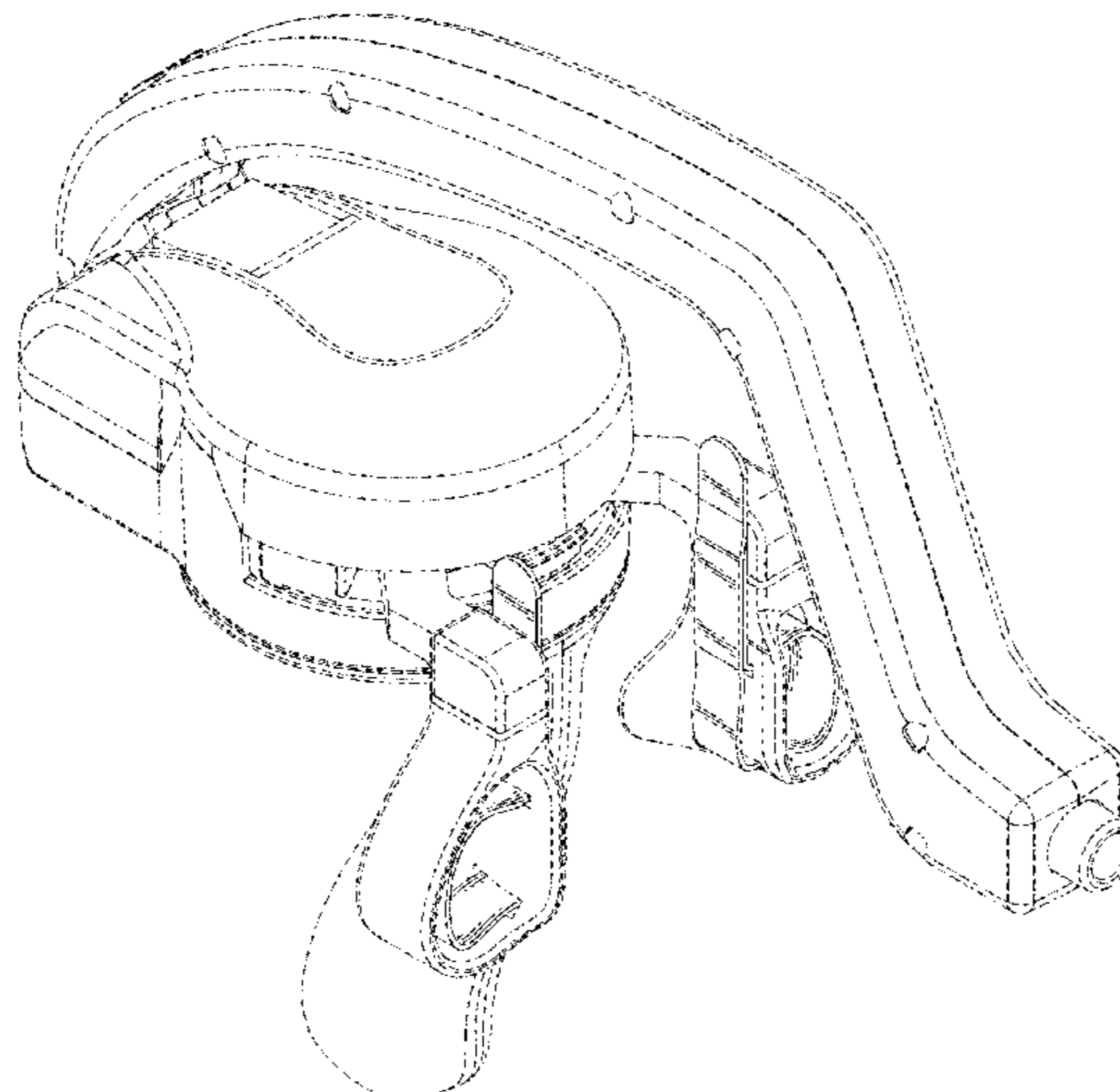
1.7 : Bottom

CPC . A61B 34/71; A61B 17/0234; A61B 17/2909; A61B 2017/00323; A61B 2017/00424; A61B 2017/00477; A61B 2017/00738; A61B 2017/2908; A61B 2017/2923

The dashed broken lines in the drawings show portions of the handle for surgical instrument that form no part of the claimed design.

See application file for complete search history.

**1 Claim, 7 Drawing Sheets**



(56)

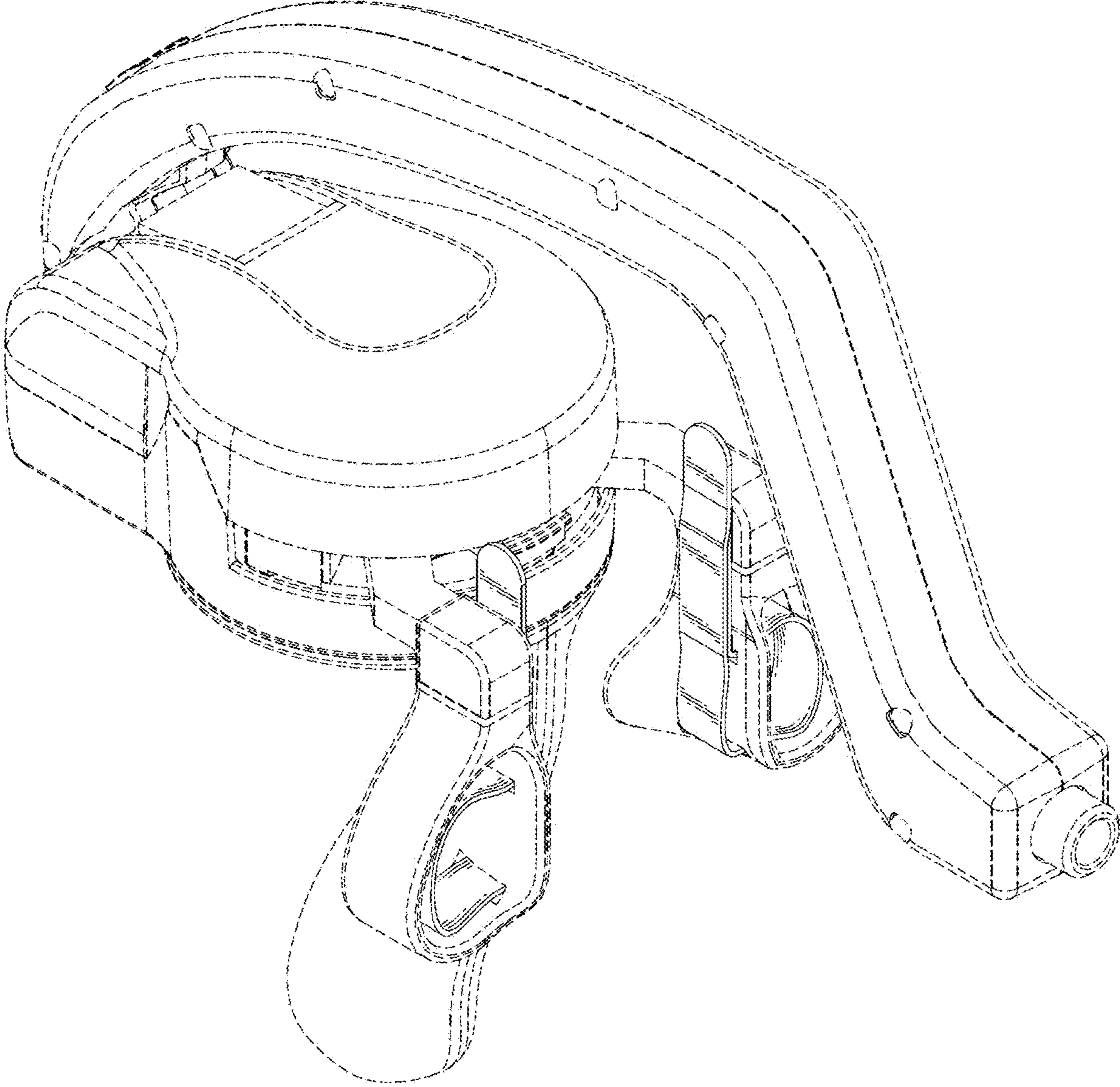
**References Cited**

U.S. PATENT DOCUMENTS

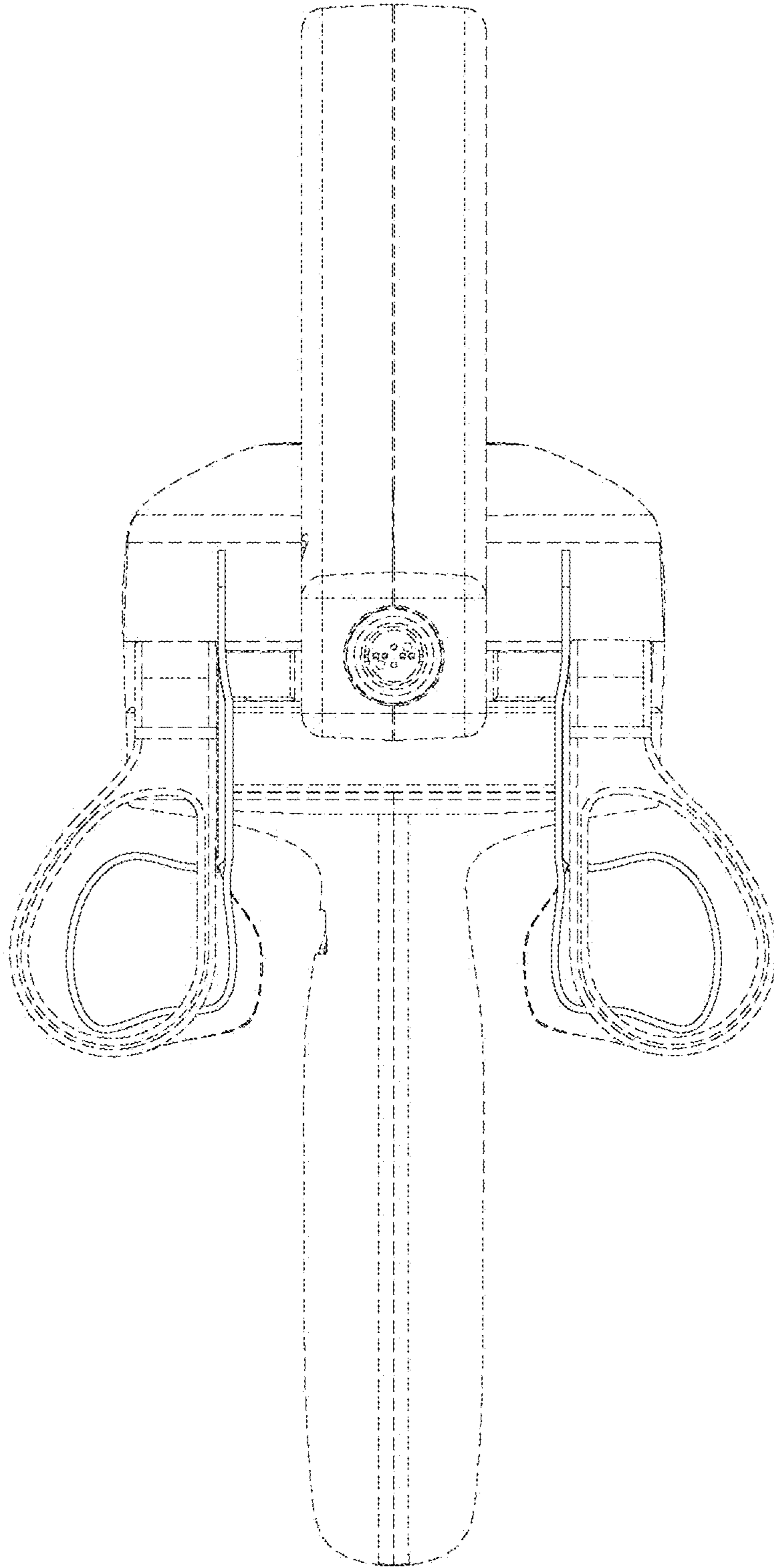
D910,172 S \* 2/2021 Kwon ..... D24/133  
D910,845 S \* 2/2021 Kwon ..... D24/133  
D932,883 S \* 10/2021 Diehl ..... D8/394  
D933,213 S \* 10/2021 Charbonneau ..... D24/133  
11,154,316 B2 \* 10/2021 Lee ..... A61B 17/29  
2017/0042560 A1 \* 2/2017 Lee ..... A61B 34/71

\* cited by examiner

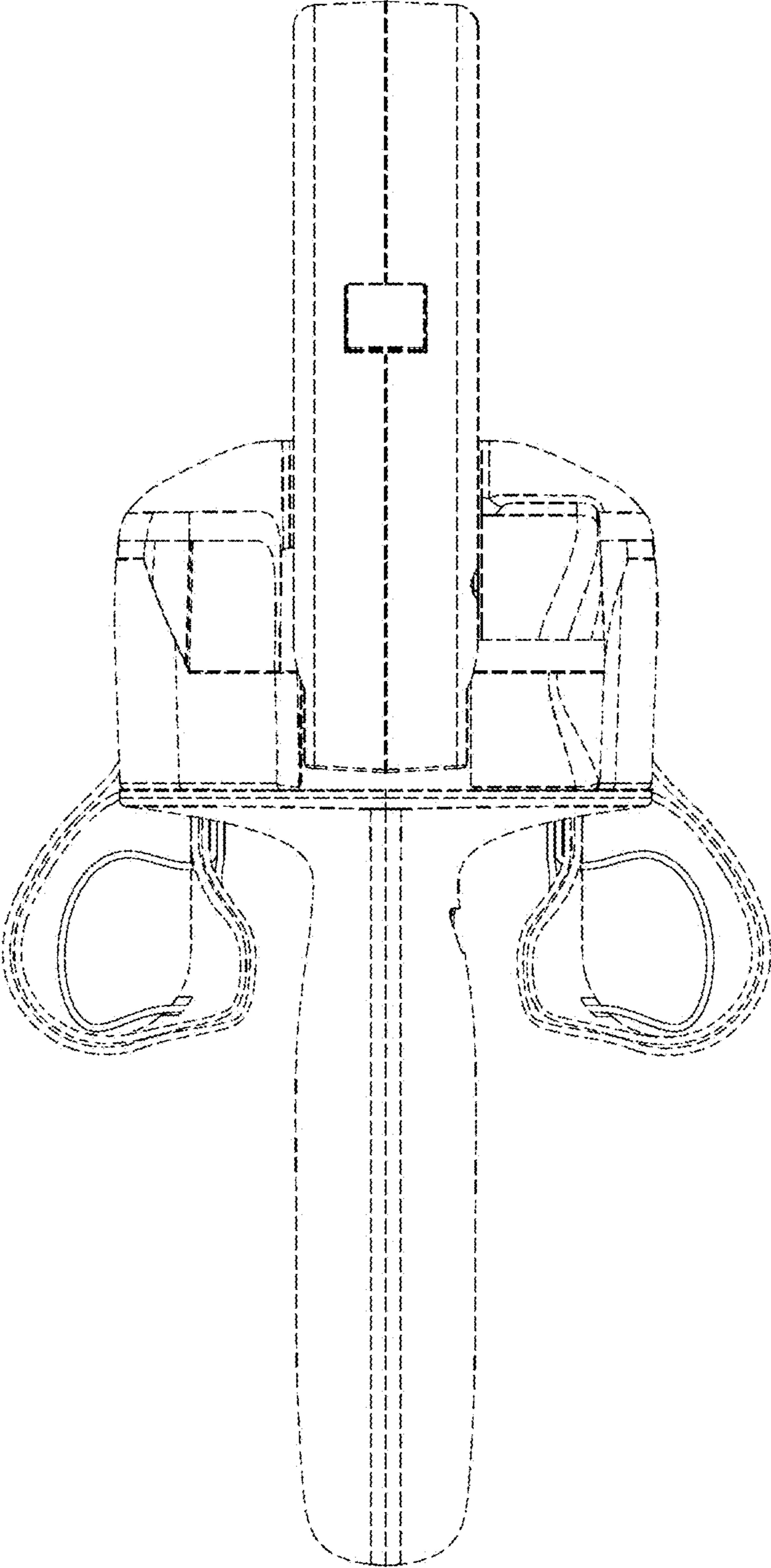
1.1



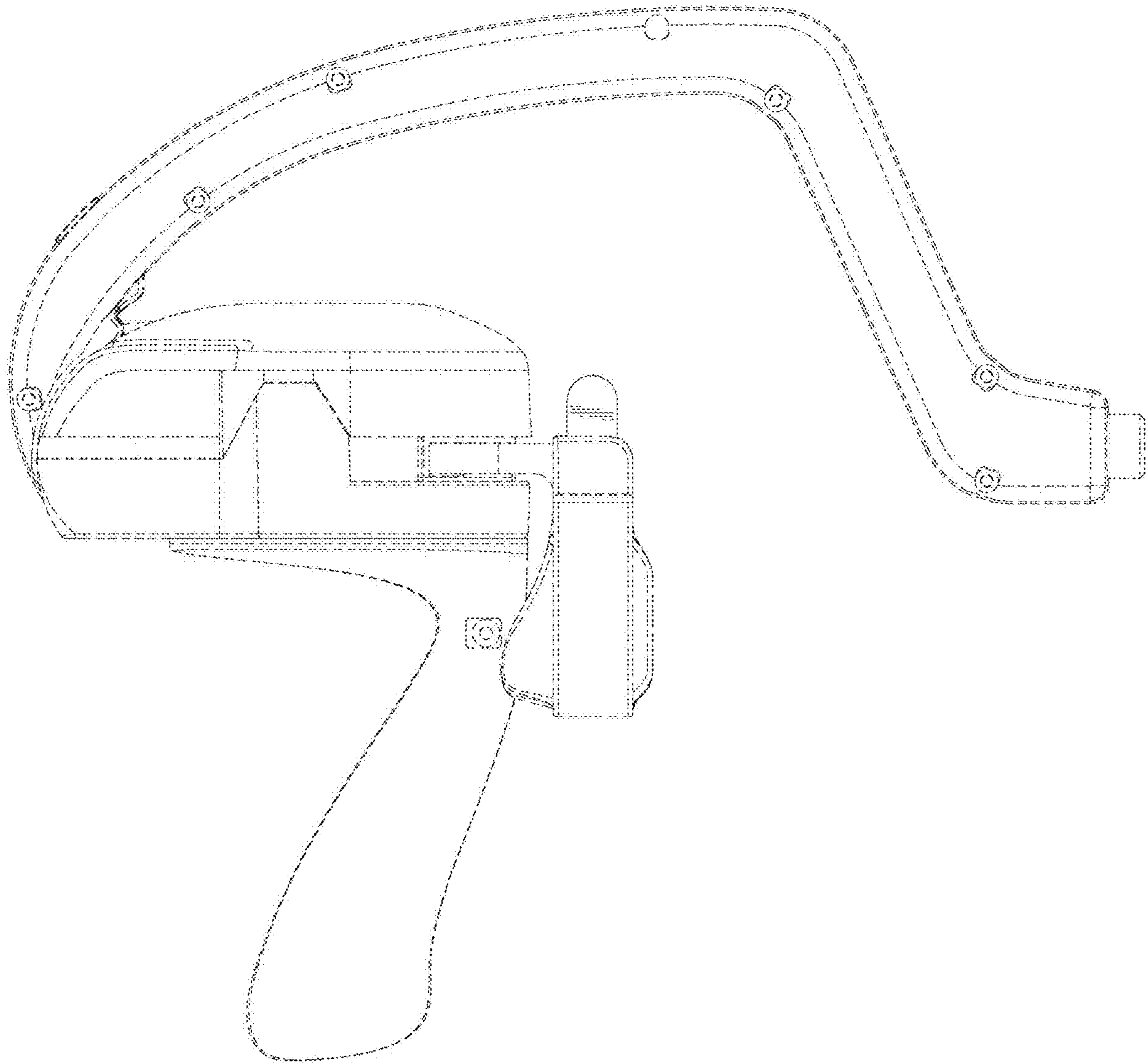
1.2



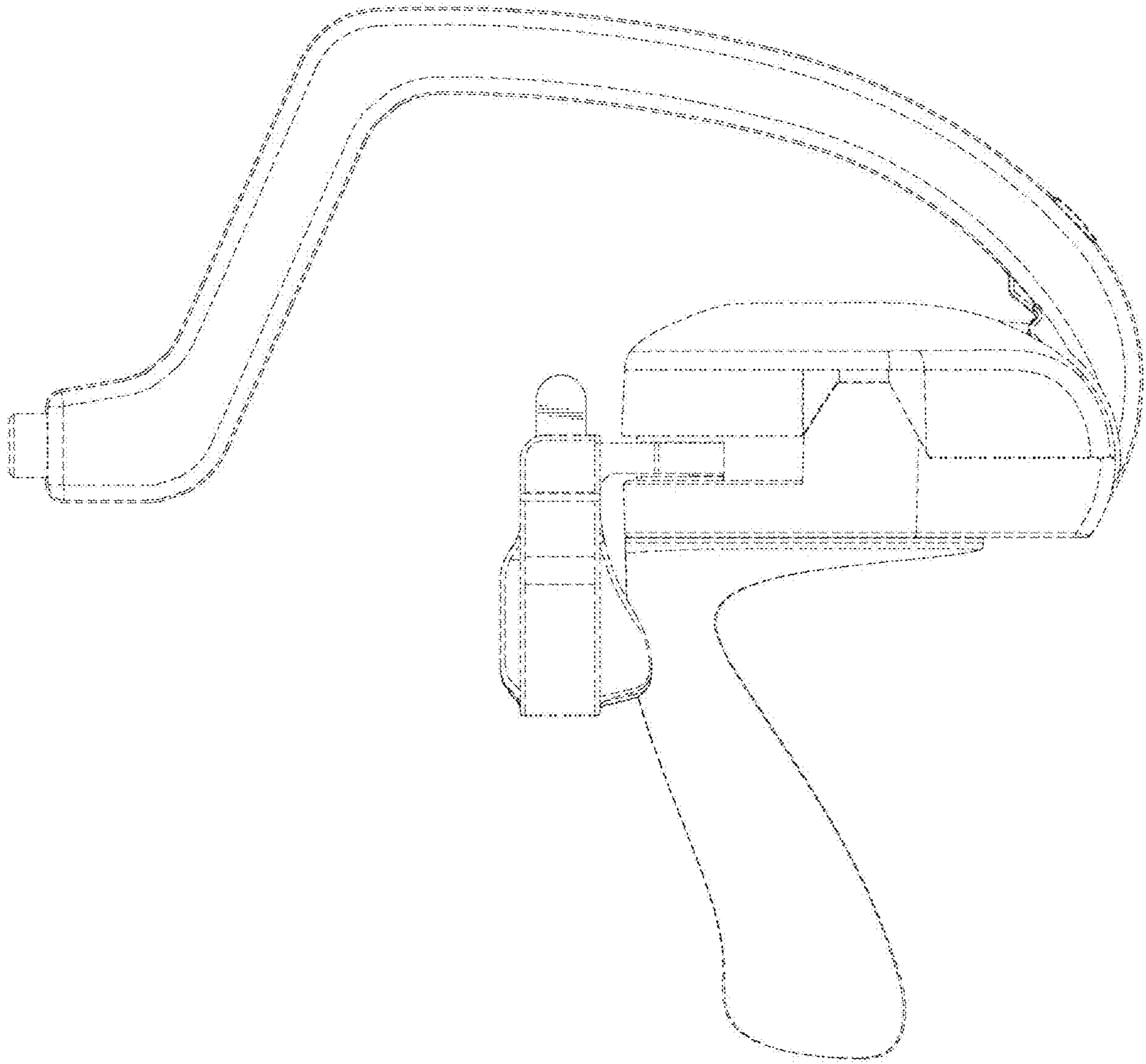
1.3



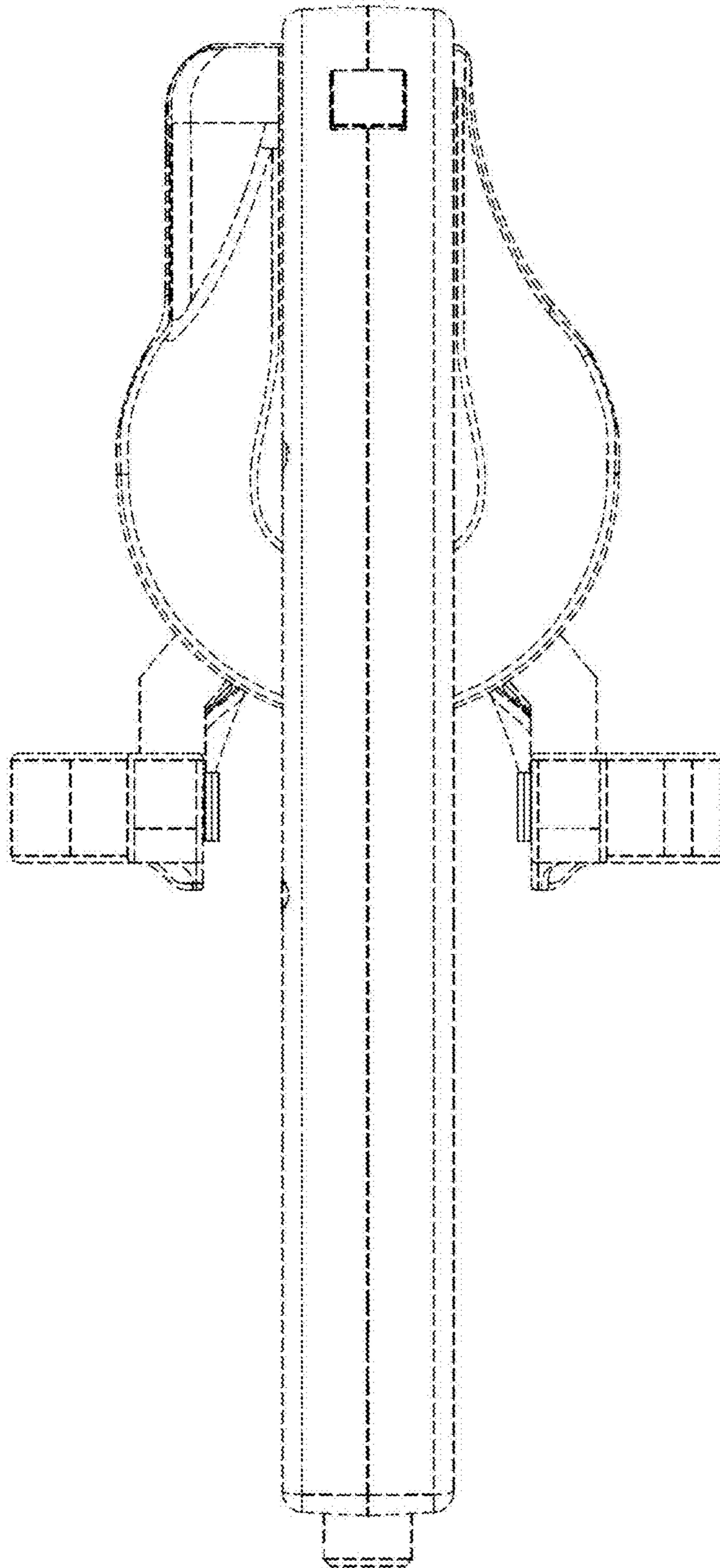
1.4



1.5



1.6





1.7

