



US00D951441S

(12) **United States Design Patent**
Murakami et al.

(10) **Patent No.:** **US D951,441 S**

(45) **Date of Patent:** **** May 10, 2022**

(54) **CARTRIDGE FOR MEDICINE INJECTOR**

D757,255 S 5/2016 Wohlfahrt et al.
D758,567 S 6/2016 Wohlfahrt et al.
D780,909 S 3/2017 Burkett et al.
D797,281 S 9/2017 Ohashi et al.

(71) Applicant: **PHC Holdings Corporation**, Tokyo (JP)

(Continued)

(72) Inventors: **Kenji Murakami**, Ehime (JP); **Koji Miyata**, Ehime (JP); **Ryosuke Tani**, Ehime (JP)

Primary Examiner — David G Muller

(74) *Attorney, Agent, or Firm* — Crowell & Moring LLP

(73) Assignee: **PHC Holdings Corporation**, Tokyo (JP)

(**) Term: **15 Years**

(21) Appl. No.: **29/780,595**

(22) Filed: **Apr. 26, 2021**

(57) **CLAIM**

The ornamental design for a cartridge for medicine injector, as shown and described.

Related U.S. Application Data

(62) Division of application No. 29/680,111, filed on Feb. 13, 2019, now Pat. No. Des. 926,975.

DESCRIPTION

(30) **Foreign Application Priority Data**

Sep. 27, 2018 (JP) 2018-020988
Nov. 5, 2018 (JP) 2018-024295

FIG. 1 is a front perspective view of a cartridge for medicine injector of the present invention, showing a cap attached thereon;
FIG. 2 is a rear perspective view thereof, showing the cap attached thereon;
FIG. 3 is a front perspective view thereof, dispensing with the cap;
FIG. 4 is a front view thereof, showing the cap attached thereon;
FIG. 5 is a rear side view thereof, showing the cap attached thereon;
FIG. 6 is a left side view thereof, showing the cap attached thereon;
FIG. 7 is a right side view thereof, showing the cap attached thereon;
FIG. 8 is a top view thereof, showing the cap attached thereon; and,
FIG. 9 is a bottom view thereof, showing the cap attached thereon.

(51) **LOC (13) Cl.** **24-02**

(52) **U.S. Cl.**
USPC **D24/133**

(58) **Field of Classification Search**
USPC D24/112–114, 108, 133, 130, 127, 186;
606/181, 185; 604/264, 272, 187, 181,
604/184, 227

CPC A61M 5/178; A61M 3/00; A61M 5/20;
A61M 5/31; A61M 5/3146; A61M
5/3129; A61M 5/3148; A61M 5/315

See application file for complete search history.

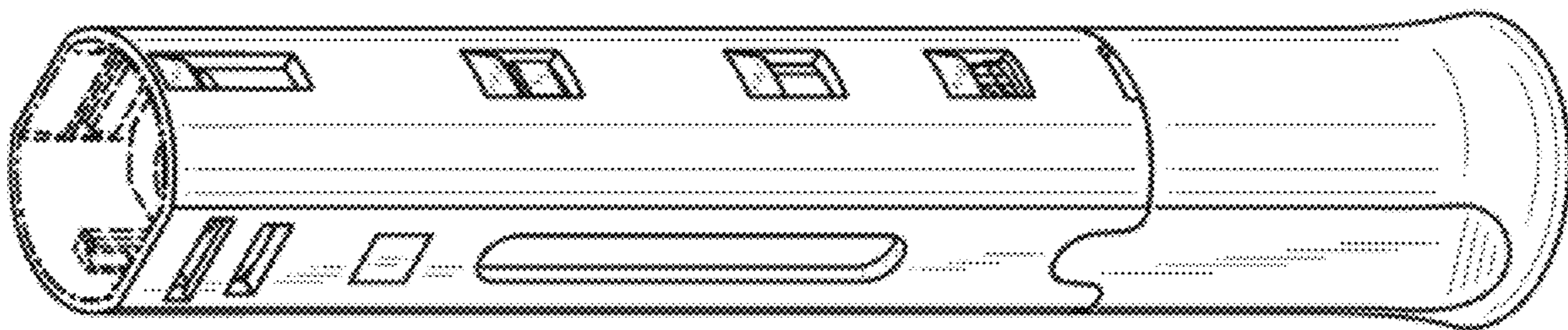
The broken lines depict portions of the cartridge for medicine injector in which the design is embodied that form no part of the claimed design. Additionally, the dash-dot lines denote the boundary of the claim and form no part of the claimed design.

(56) **References Cited**

U.S. PATENT DOCUMENTS

6,530,937 B1 * 3/2003 Schraga A61M 3/00
606/182
D660,958 S 5/2012 McLoughlin et al.

1 Claim, 3 Drawing Sheets



(56)

References Cited

U.S. PATENT DOCUMENTS

9,867,940	B2 *	1/2018	Holmqvist	A61M 5/24
9,987,436	B2 *	6/2018	Giambattista	A61M 5/2033
D827,127	S	8/2018	Donnelly	
10,350,356	B2 *	7/2019	Hirschel	A61M 5/3157
10,850,044	B2 *	12/2020	Lewkonya	A61M 5/2033
10,857,300	B2 *	12/2020	Daniel	A61M 5/2033
11,058,819	B2 *	7/2021	Wendland	A61M 5/14248
11,071,832	B2 *	7/2021	Schader	A61M 5/3243
11,077,255	B2 *	8/2021	Dahmani	A61M 5/24

* cited by examiner

Fig. 1

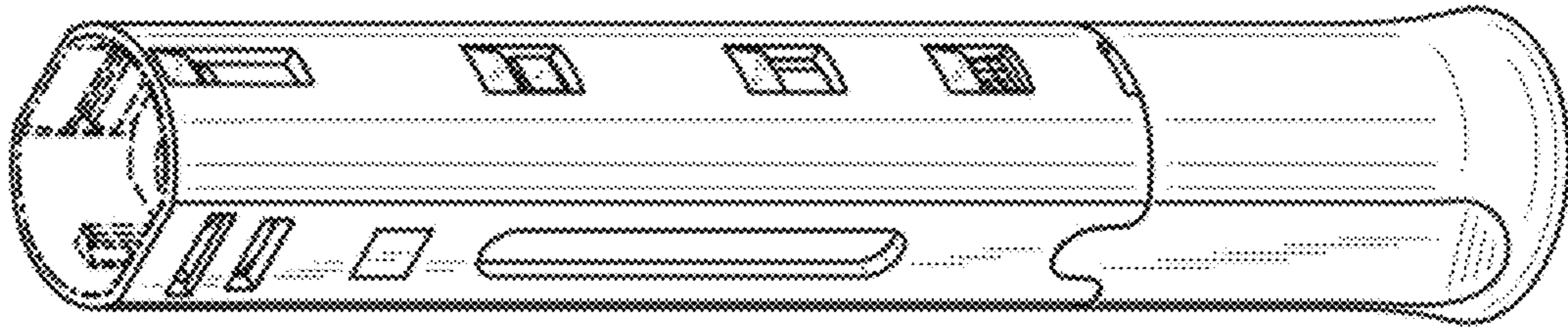


Fig. 2

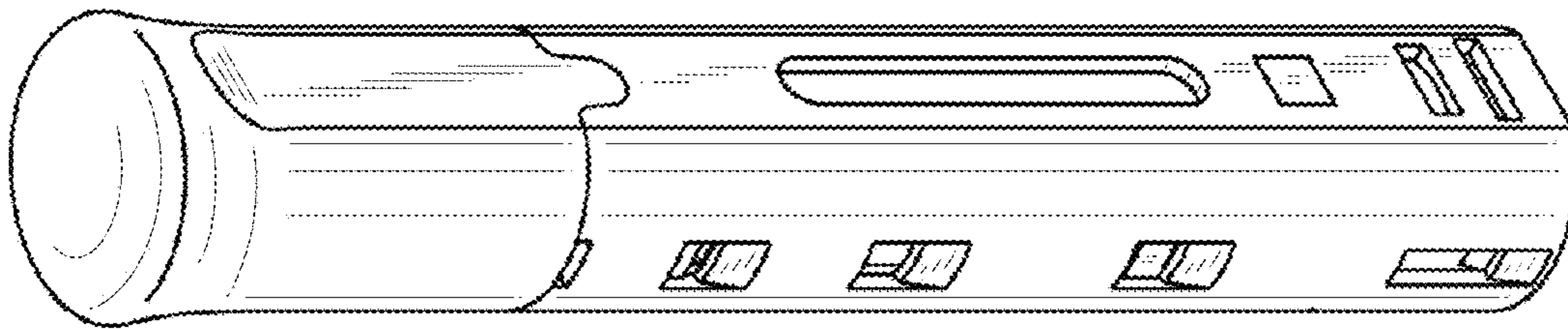


Fig. 3

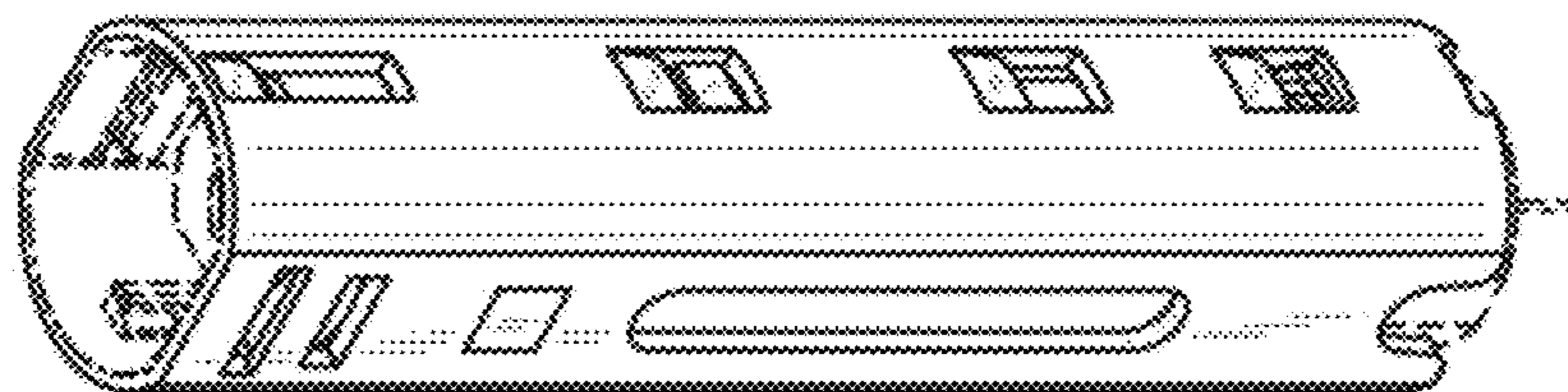


Fig. 4

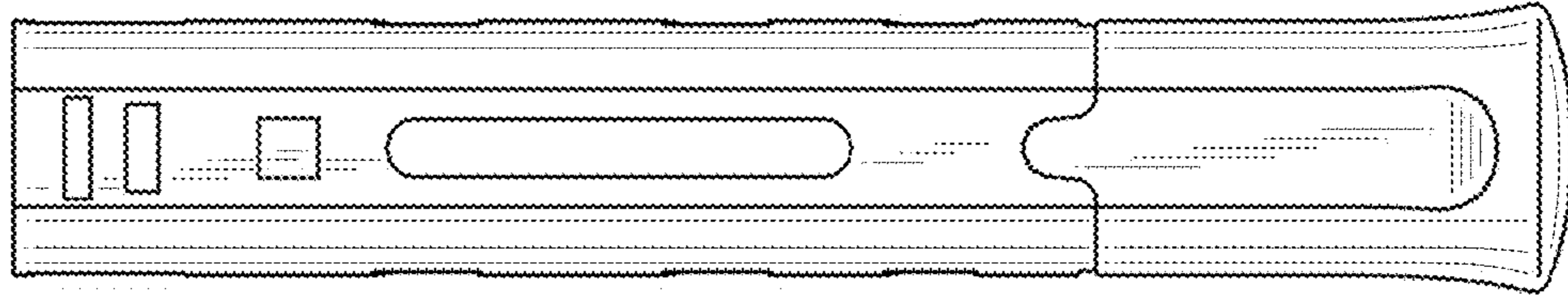


Fig. 5

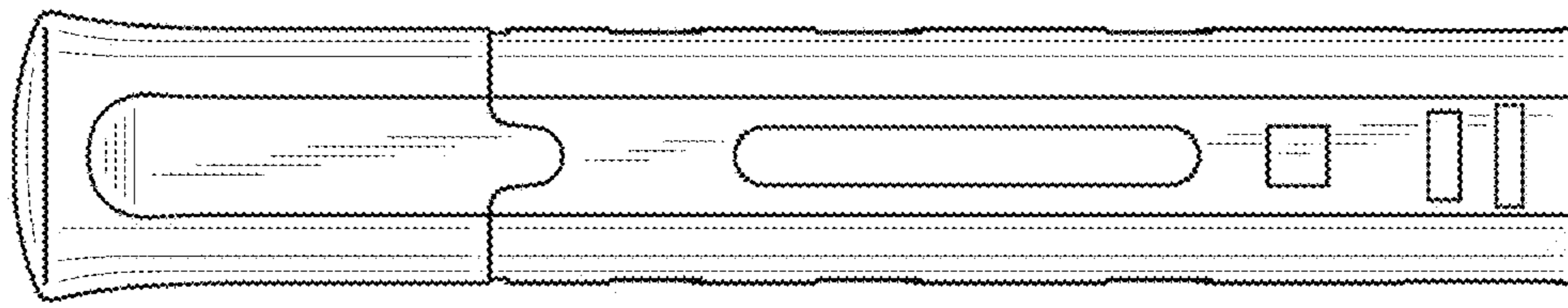


Fig. 6

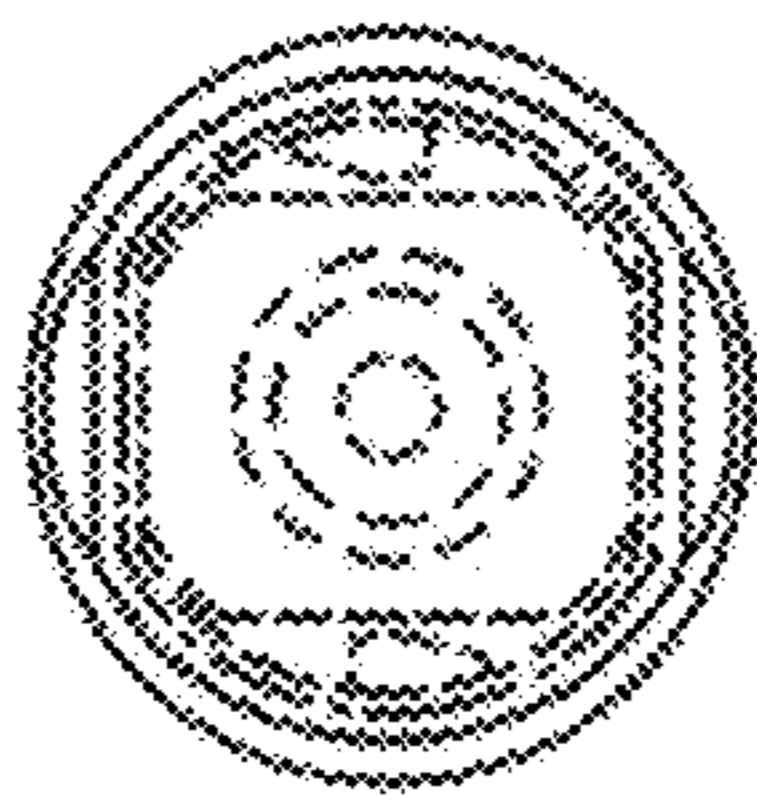


Fig. 7

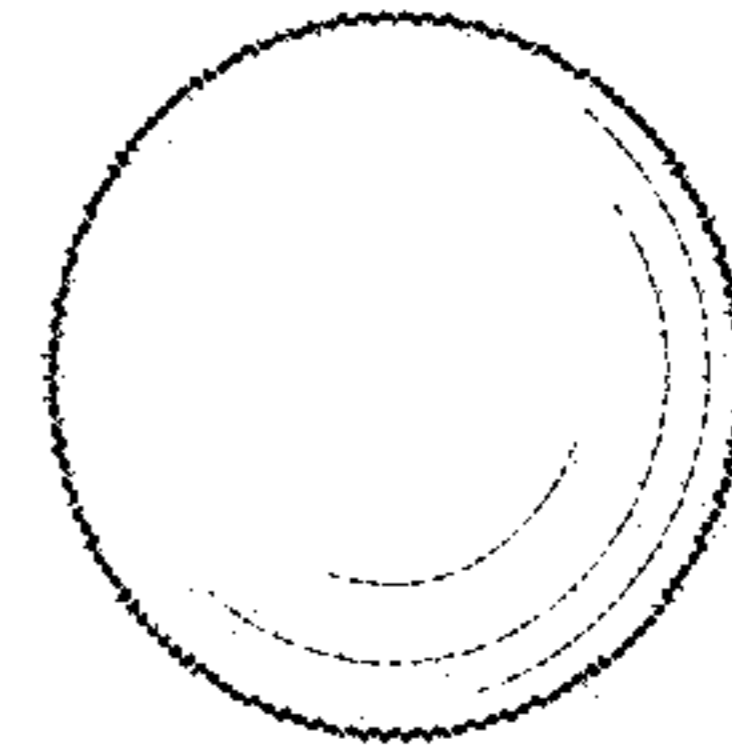


Fig. 8

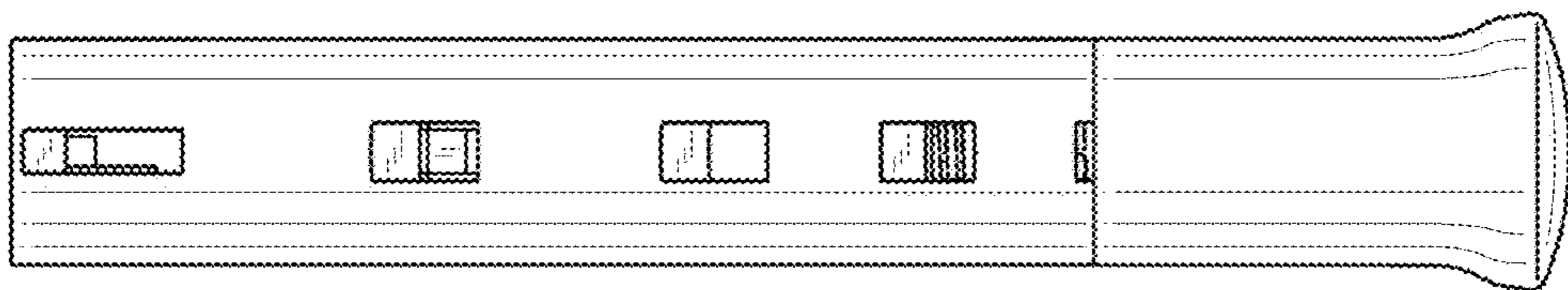


Fig. 9

