

US00D951439S

(12) **United States Design Patent** (10) **Patent No.:** **US D951,439 S**
Refua (45) **Date of Patent:** **** May 10, 2022**

(54) **MULTI-LUMEN SPIKE**
(71) Applicant: **SIRE Industries, LLC**, Torrance, CA (US)
(72) Inventor: **Sina M. Refua**, Torrance, CA (US)
(73) Assignee: **SIRE Industries, LLC**, Torrance, CA (US)

D778,174 S * 2/2017 Zhang D24/133
D842,468 S * 3/2019 Juan A61M 37/0076
D851,753 S * 6/2019 Green D24/144
D879,951 S * 3/2020 Kucklick D24/112
D881,384 S * 4/2020 Jing D24/112
D904,604 S * 12/2020 Tsai D24/129
D925,035 S * 7/2021 Zhang D24/144
D931,455 S * 9/2021 Wang D24/144
2015/0367118 A1 * 12/2015 Scherkowski A61M 37/0076
606/186

(**) Term: **15 Years**

* cited by examiner

(21) Appl. No.: **29/768,507**

Primary Examiner — David G Muller

(22) Filed: **Jan. 29, 2021**

(74) *Attorney, Agent, or Firm* — Mauriel Kapouytian Woods LLP; Benjamin Charkow

(51) **LOC (13) Cl.** **24-02**

(52) **U.S. Cl.**
USPC **D24/130**

(57) **CLAIM**

(58) **Field of Classification Search**
USPC D24/112–114, 108, 133, 130, 127, 186;
606/181, 185; 604/264, 272, 187, 181,
604/184, 227
CPC A61M 5/178; A61M 3/00; A61M 5/20;
A61M 5/31; A61M 5/3146; A61M
5/3129; A61M 5/3148; A61M 5/315
See application file for complete search history.

The ornamental design for a multi-lumen spike, as shown and described.

DESCRIPTION

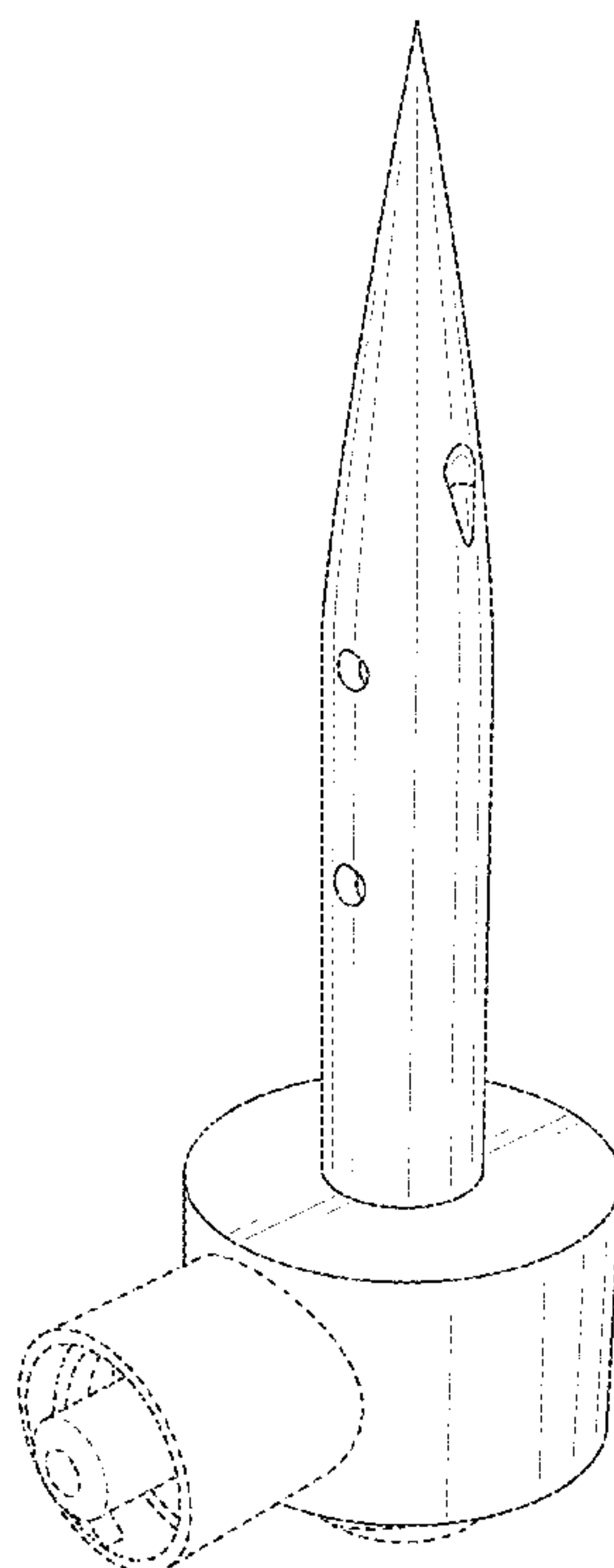
(56) **References Cited**

U.S. PATENT DOCUMENTS

6,162,236 A * 12/2000 Osada A61B 17/3439
606/191
D467,340 S * 12/2002 Mayer D24/146
D631,153 S * 1/2011 McGlothlin D24/130
8,790,308 B2 * 7/2014 Melvin A61B 17/34
604/170.01

FIG. 1 is a front perspective view of the multi-lumen spike showing my new design;
FIG. 2 is a front elevation view thereof;
FIG. 3 is a rear elevation view thereof;
FIG. 4 is a right side view thereof;
FIG. 5 is a left side view thereof;
FIG. 6 is a top plan view thereof; and,
FIG. 7 is a bottom plan view thereof.
The broken lines illustrate portions of the multi-lumen spike and form no part of the claimed design.

1 Claim, 6 Drawing Sheets



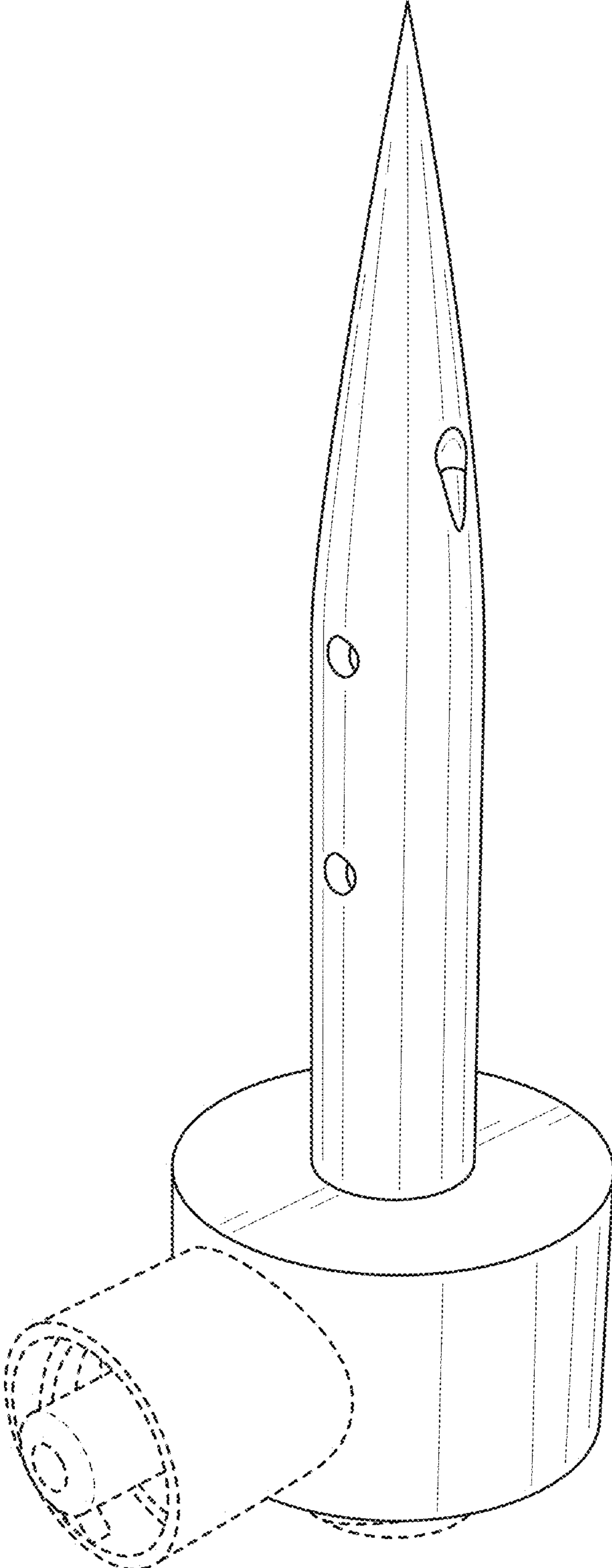


FIG. 1

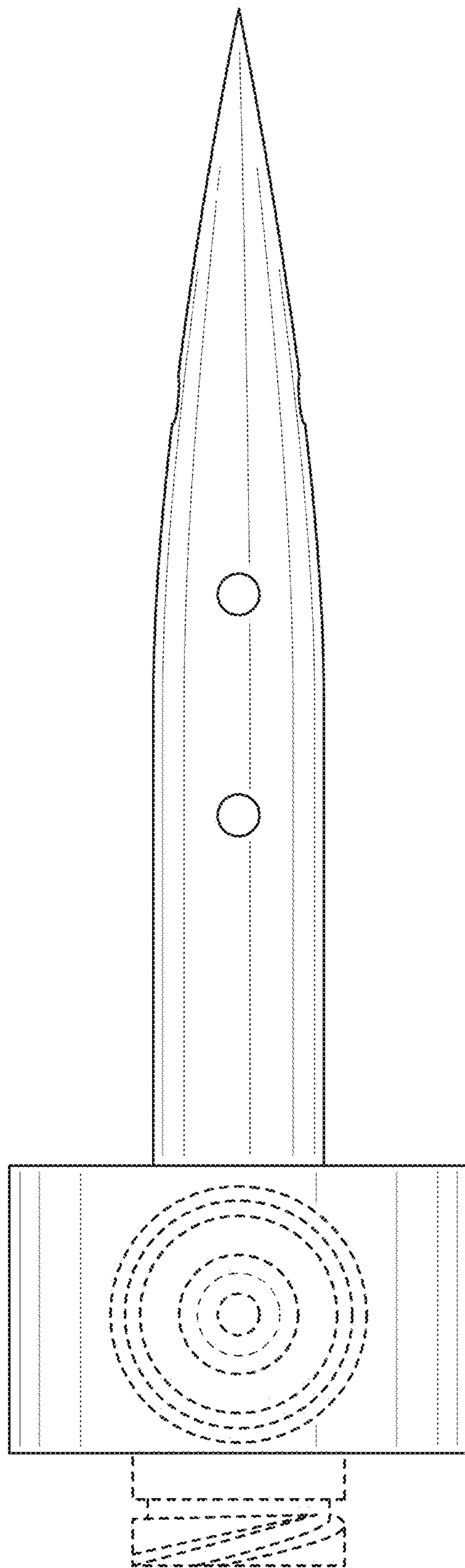


FIG. 2

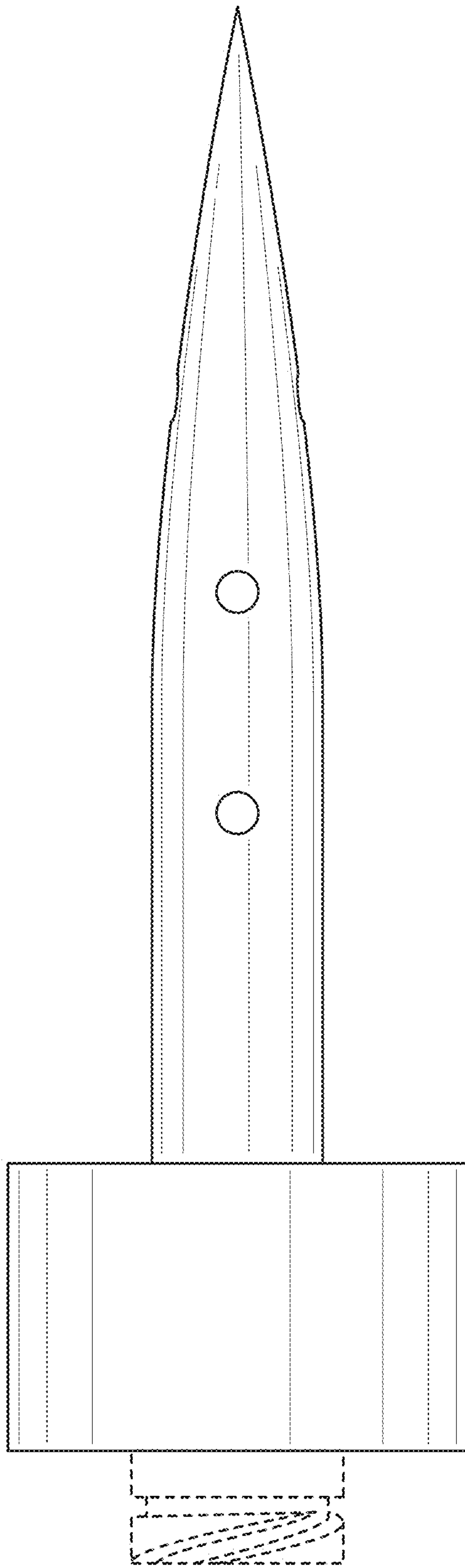


FIG. 3

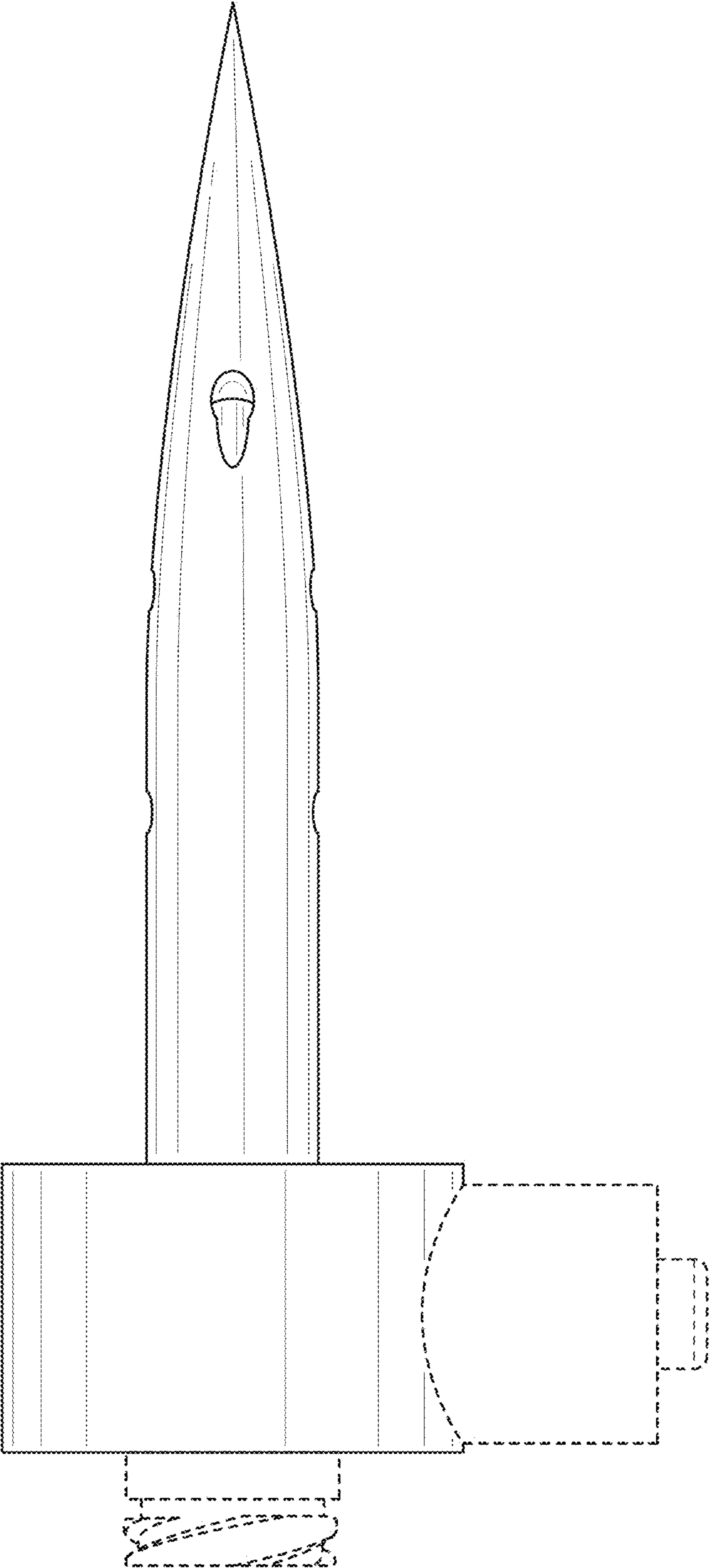


FIG. 4

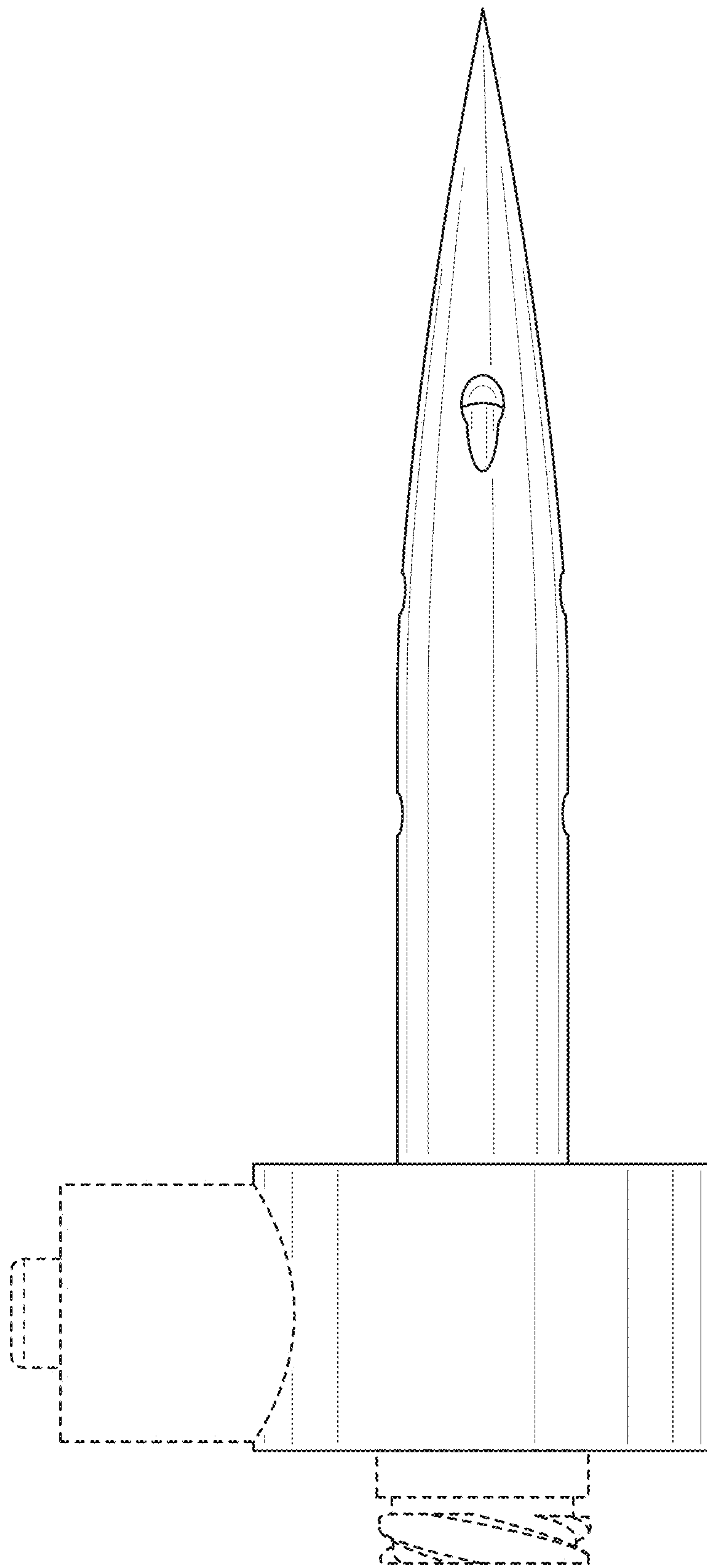


FIG. 5

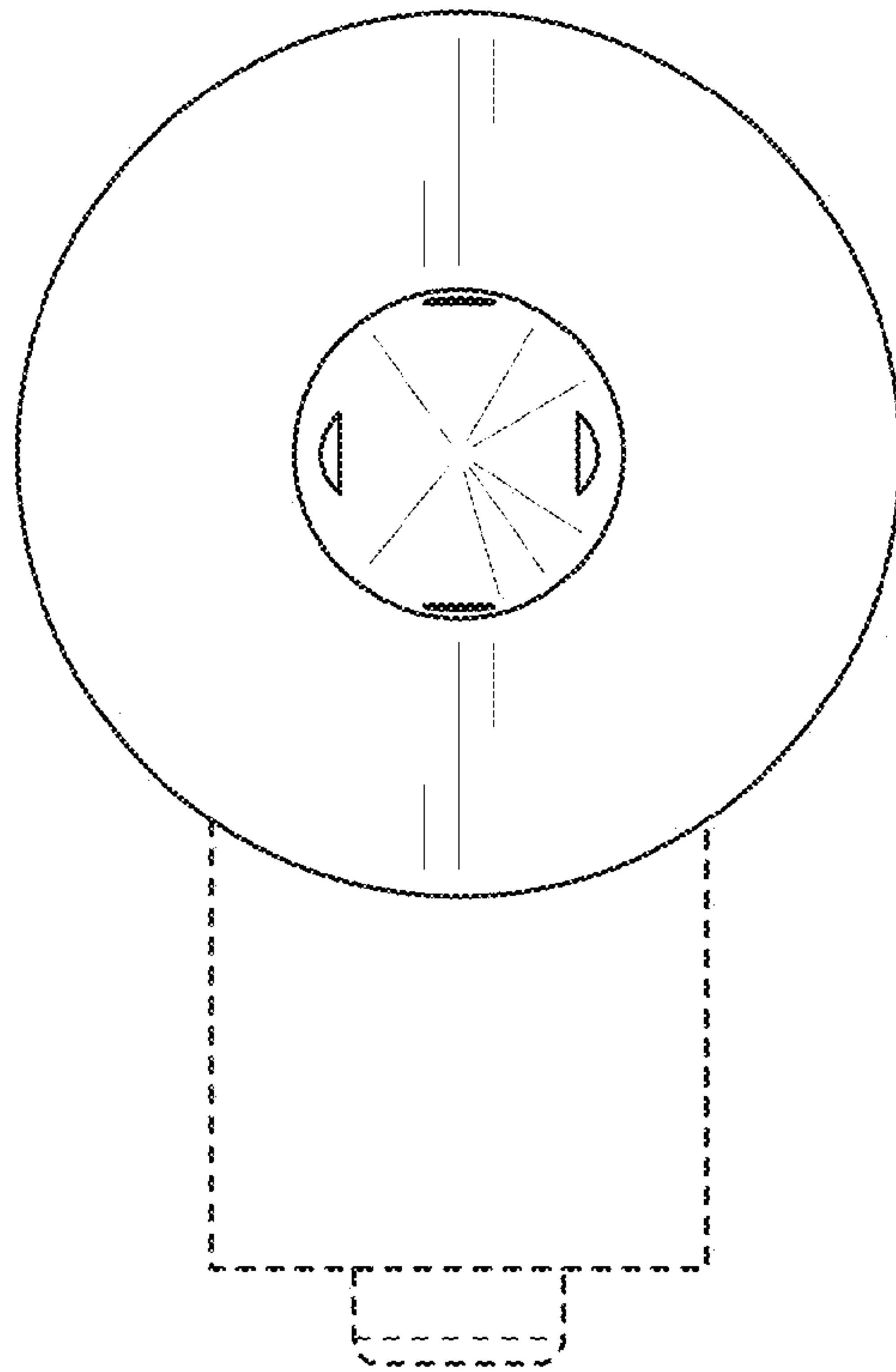


FIG. 6

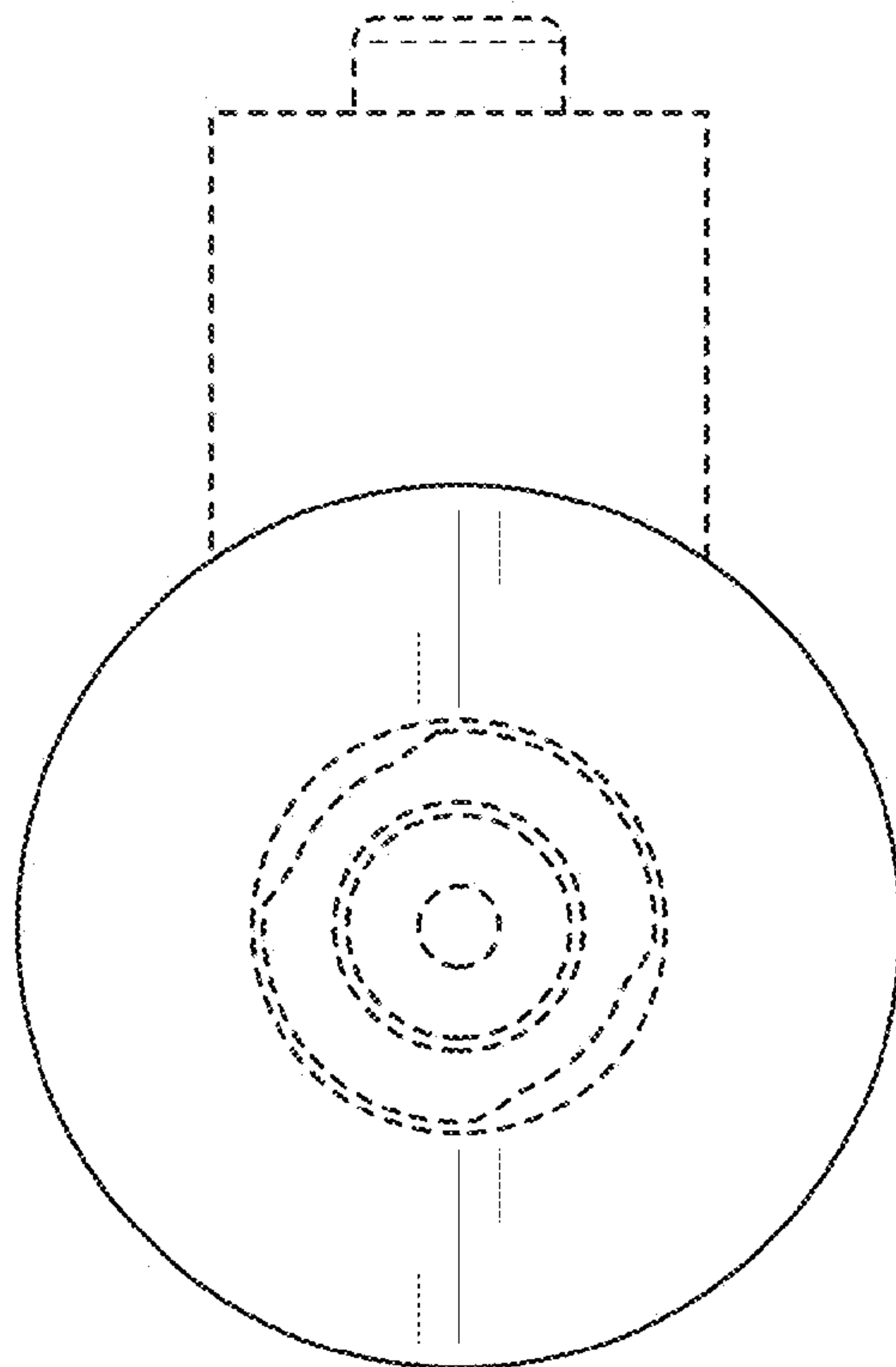


FIG. 7