



US00D951437S

(12) **United States Design Patent** (10) **Patent No.:** **US D951,437 S**  
**Siarkowski et al.** (45) **Date of Patent:** **\*\* May 10, 2022**

(54) **FLUID DISPENSER** 605,161 A 6/1898 Clement  
774,848 A 11/1904 Lindsay  
(71) Applicant: **PresentCare Inc.**, Marlborough, MA 996,330 A 6/1911 Haines  
(US) 2,093,942 A 9/1937 Stuff  
2,219,604 A 10/1940 Trotter  
(72) Inventors: **Bret Siarkowski**, Marlborough, MA 2,689,066 A 9/1954 Budnik  
(US); **Thomas R. Olsen**, Natick, MA 2,736,468 A 2/1956 Hills  
(US) 2,772,817 A 12/1956 Jauch  
3,029,001 A 4/1962 Blish  
(Continued)

(73) Assignee: **PresentCare, Inc.**, Marlborough, MA  
(US)

(\*\*) Term: **15 Years**

(21) Appl. No.: **29/667,494**

(22) Filed: **Oct. 22, 2018**

**Related U.S. Application Data**

(63) Continuation of application No. 29/666,932, filed on Oct. 17, 2018, now abandoned.

(51) **LOC (13) Cl.** ..... **24-02**

(52) **U.S. Cl.**  
USPC ..... **D24/129**

(58) **Field of Classification Search**  
USPC ..... D24/112-114, 108, 130, 127, 133, 186;  
606/181, 185; 604/264, 523-528, 272,  
604/164.01-164.11, 187, 93.01; 600/101,  
600/139, 143; 128/200.24, 207.14,  
128/207.15  
CPC .. A61M 25/065; A61M 5/42; A61M 25/0612;  
A61M 25/00; A61M 39/00; A61M 27/00;  
A61M 25/0043; A61M 25/0067; A61M  
25/0097; A61F 2/958  
See application file for complete search history.

(56) **References Cited**

**U.S. PATENT DOCUMENTS**

148,069 A 3/1874 Kennish  
151,066 A 5/1874 Warner  
537,111 A 4/1895 Henderson

**FOREIGN PATENT DOCUMENTS**

EP 1047327 B1 5/2003  
KR 2020130006407 U 11/2013

*Primary Examiner* — David G Muller

(74) *Attorney, Agent, or Firm* — Loginov & Associates, PLLC; William A. Loginov

(57) **CLAIM**

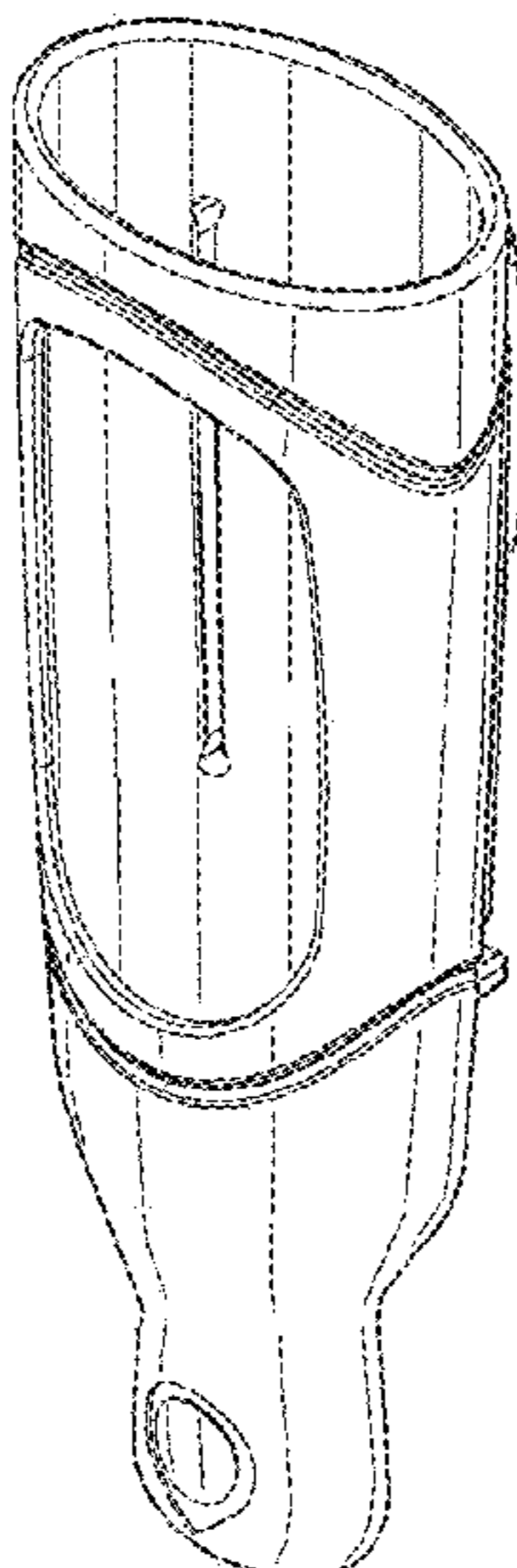
The ornamental design for a fluid dispenser, substantially as shown.

**DESCRIPTION**

FIG. 1 is a perspective view of a fluid dispenser, according to an embodiment;  
FIG. 2 is a front view of the fluid dispenser, according to the embodiment;  
FIG. 3 is a rear view of the fluid dispenser, according to the embodiment;  
FIG. 4 is a right side view of the fluid dispenser, according to the embodiment;  
FIG. 5 is a left side view of the fluid dispenser, according to the embodiment;  
FIG. 6 is a top view of the fluid dispenser, according to the embodiment; and,  
FIG. 7 is a bottom view of the fluid dispenser, according to the embodiment.

The broken lines in the figures show portions of the fluid dispenser that form no part of the claimed design.

**1 Claim, 3 Drawing Sheets**



(56)

References Cited

U.S. PATENT DOCUMENTS

3,220,611 A 11/1965 Zander  
 3,300,099 A 1/1967 Marona  
 4,085,867 A 4/1978 Heller  
 4,330,071 A 5/1982 Ohlson  
 4,646,945 A 3/1987 Steiner  
 4,776,495 A 10/1988 Vignot  
 4,793,517 A 12/1988 Washut  
 4,880,161 A 11/1989 Wright  
 5,005,737 A 4/1991 Rohr  
 5,067,680 A 11/1991 Miller  
 5,348,188 A 9/1994 Bohler  
 5,697,525 A 12/1997 O'Reilly  
 5,810,203 A 9/1998 Brennan  
 6,341,718 B1 1/2002 Schilthuisen  
 6,343,712 B1 2/2002 Flackett  
 D612,263 S 3/2010 Miksovsky  
 D612,264 S 3/2010 Miksovsky  
 D612,741 S 3/2010 Miksovsky  
 7,959,036 B2 6/2011 Koh  
 8,172,115 B1 5/2012 Mulhauser  
 8,783,520 B2 7/2014 Hagleitner

D888,941 S \* 6/2020 Scrimgeour ..... D24/113  
 D902,391 S \* 11/2020 Scrimgeour ..... D24/113  
 D902,392 S \* 11/2020 Scrimgeour ..... D24/113  
 D903,108 S \* 11/2020 Scrimgeour ..... D24/113  
 D905,232 S \* 12/2020 Schifano ..... D24/112  
 D912,804 S \* 3/2021 Sato ..... D24/114  
 D912,810 S \* 3/2021 Harry ..... D24/133  
 D917,694 S \* 4/2021 Schneider ..... D24/130  
 D919,800 S \* 5/2021 Hezkiahu ..... D24/130  
 D919,801 S \* 5/2021 Hezkiahu ..... D24/130  
 2007/0114246 A1 5/2007 Awbrey  
 2007/0157991 A1 7/2007 Robertson  
 2007/0187430 A1 8/2007 Chen  
 2008/0156829 A1 7/2008 Chen  
 2011/0290825 A1 12/2011 Gordon  
 2012/0193376 A1 8/2012 Evans  
 2012/0199609 A1 8/2012 Schwenkenberg  
 2013/0092708 A1 4/2013 Geiberger  
 2014/0034677 A1 2/2014 Pagliarulo  
 2014/0367422 A1 12/2014 Drennow  
 2015/0048119 A1 2/2015 Boehm  
 2015/0306622 A1 10/2015 Ashworth  
 2017/0232121 A1 8/2017 Chiu  
 2019/0091708 A1 3/2019 O'Brien

\* cited by examiner

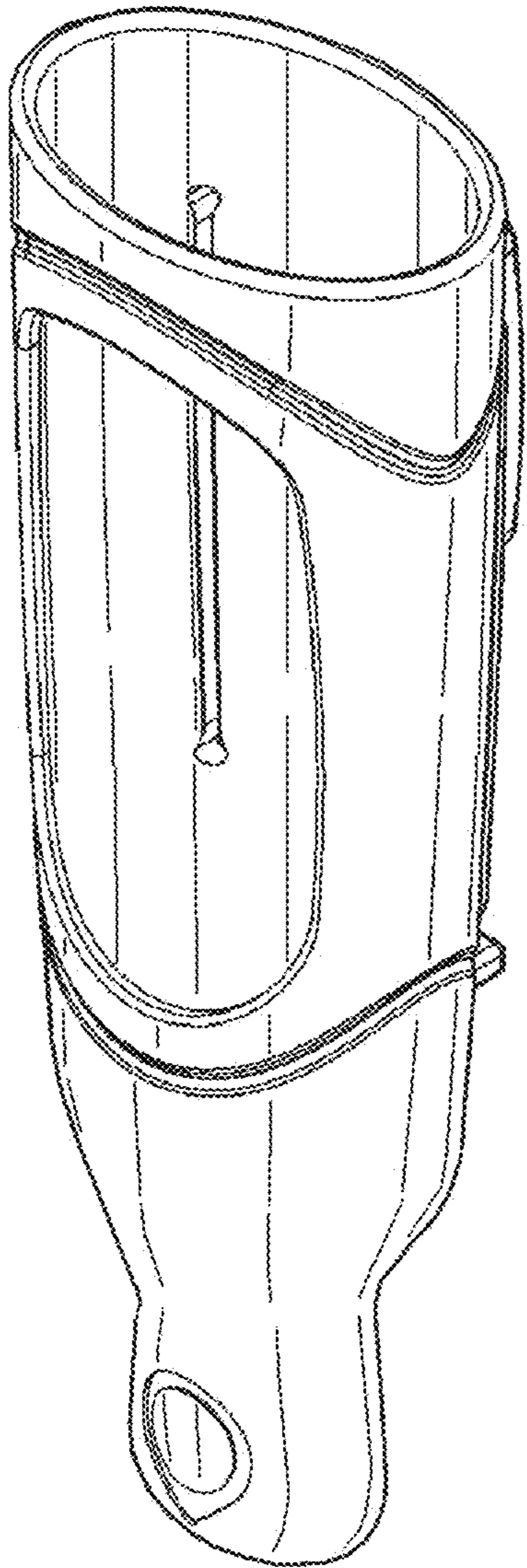


Fig. 1

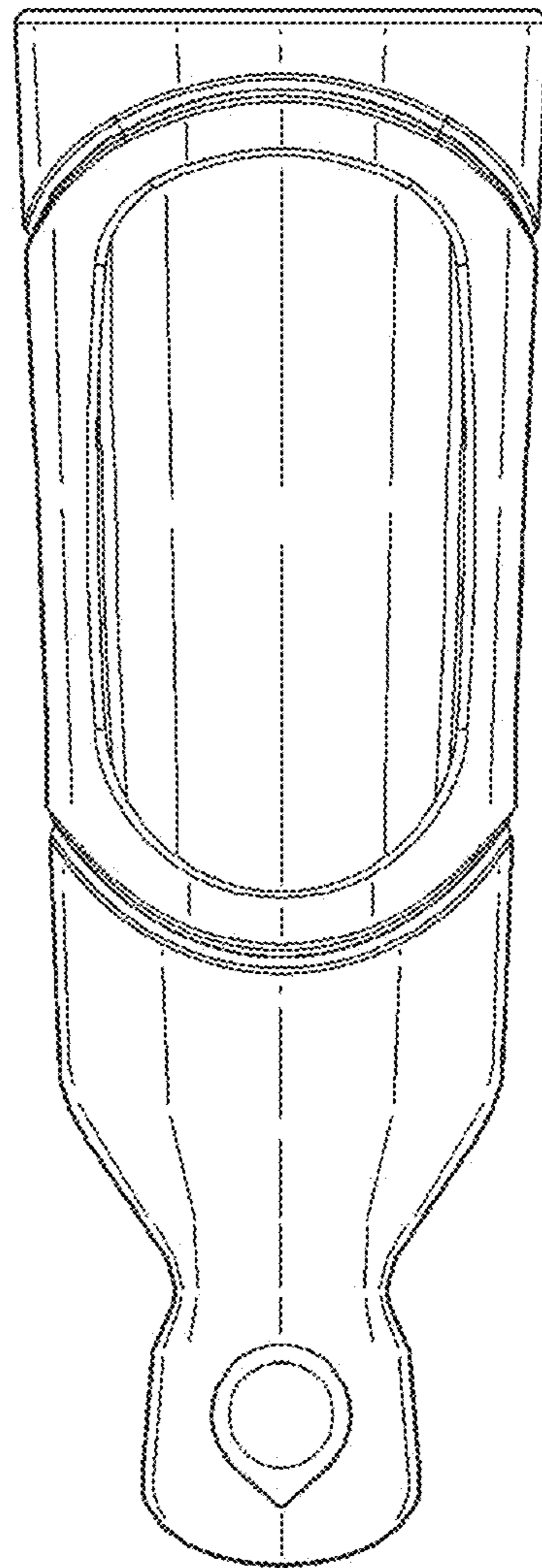


Fig. 2

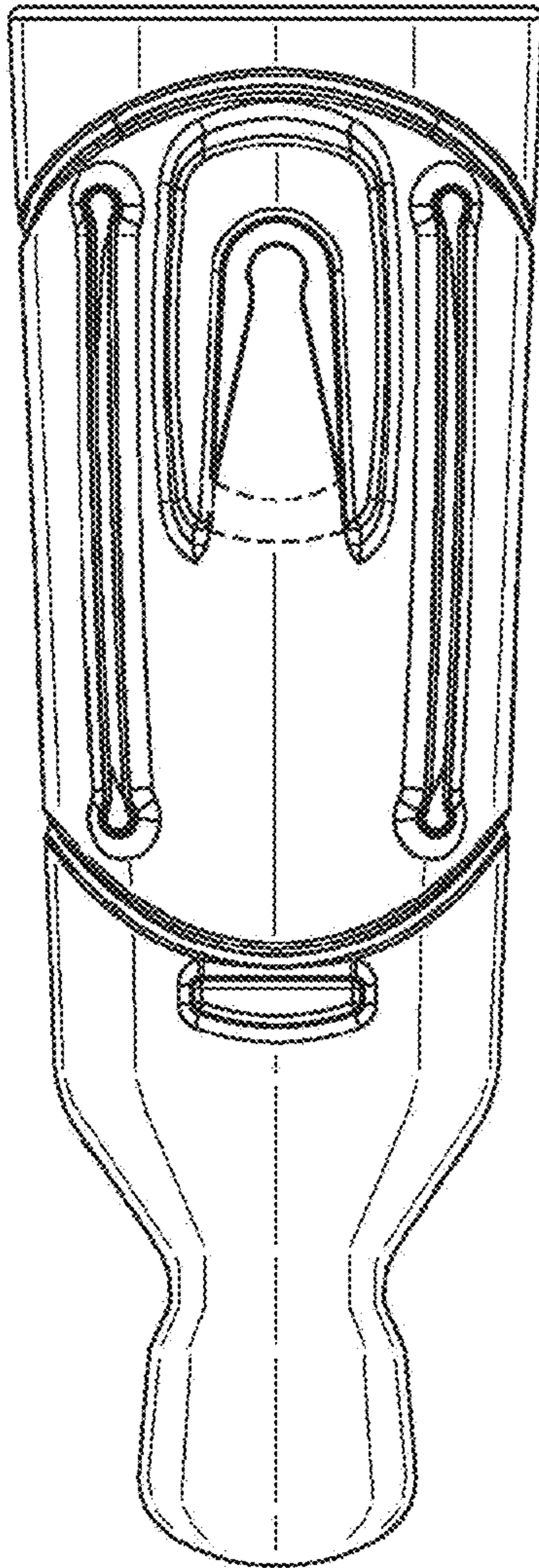


Fig. 3

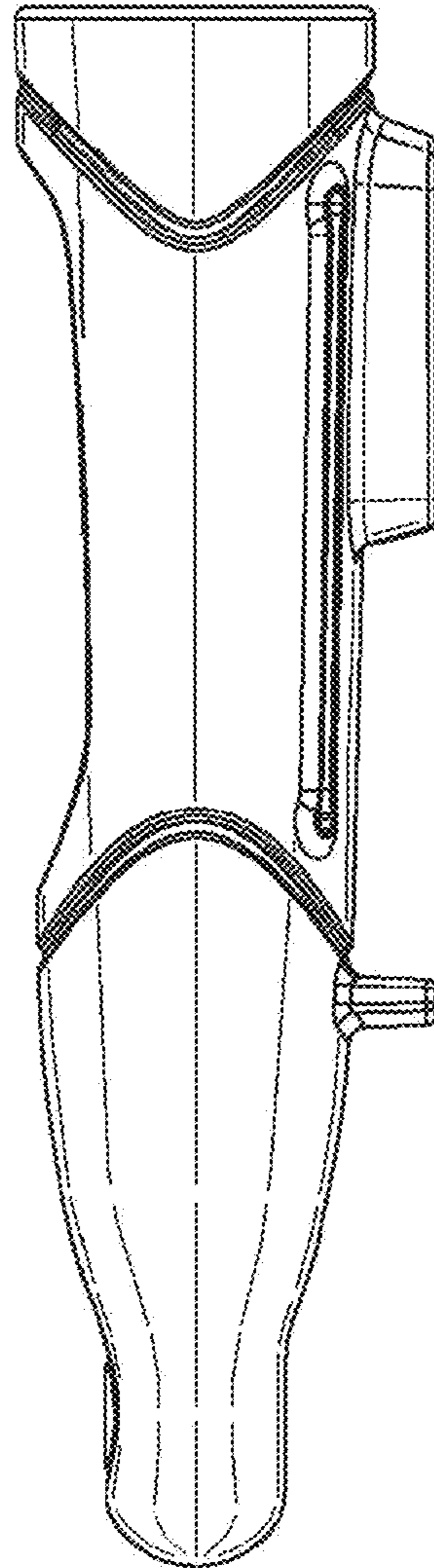


Fig. 4

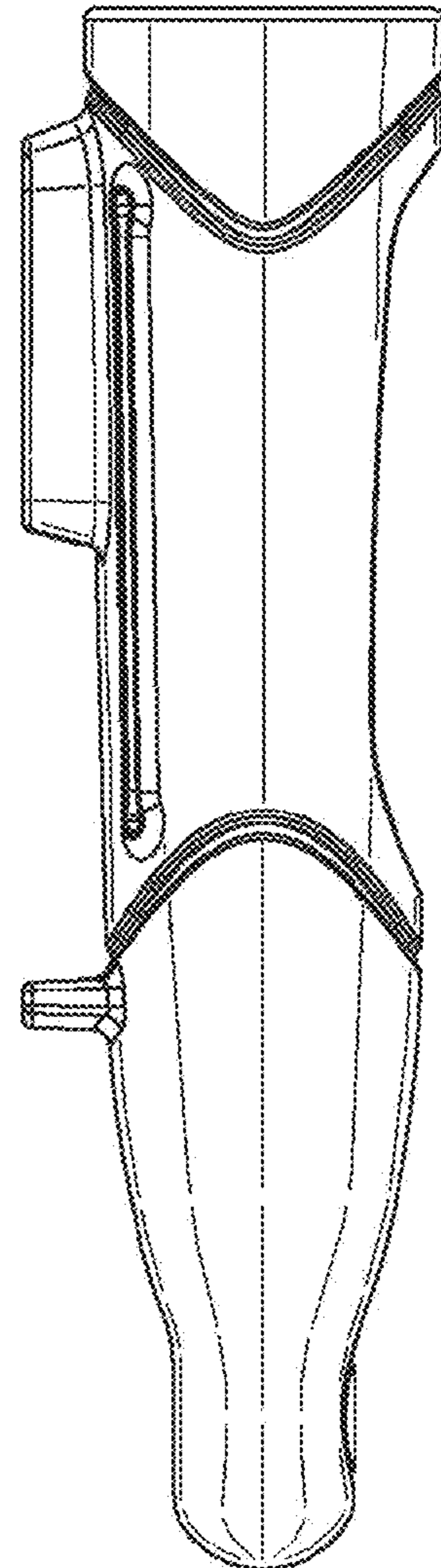


Fig. 5

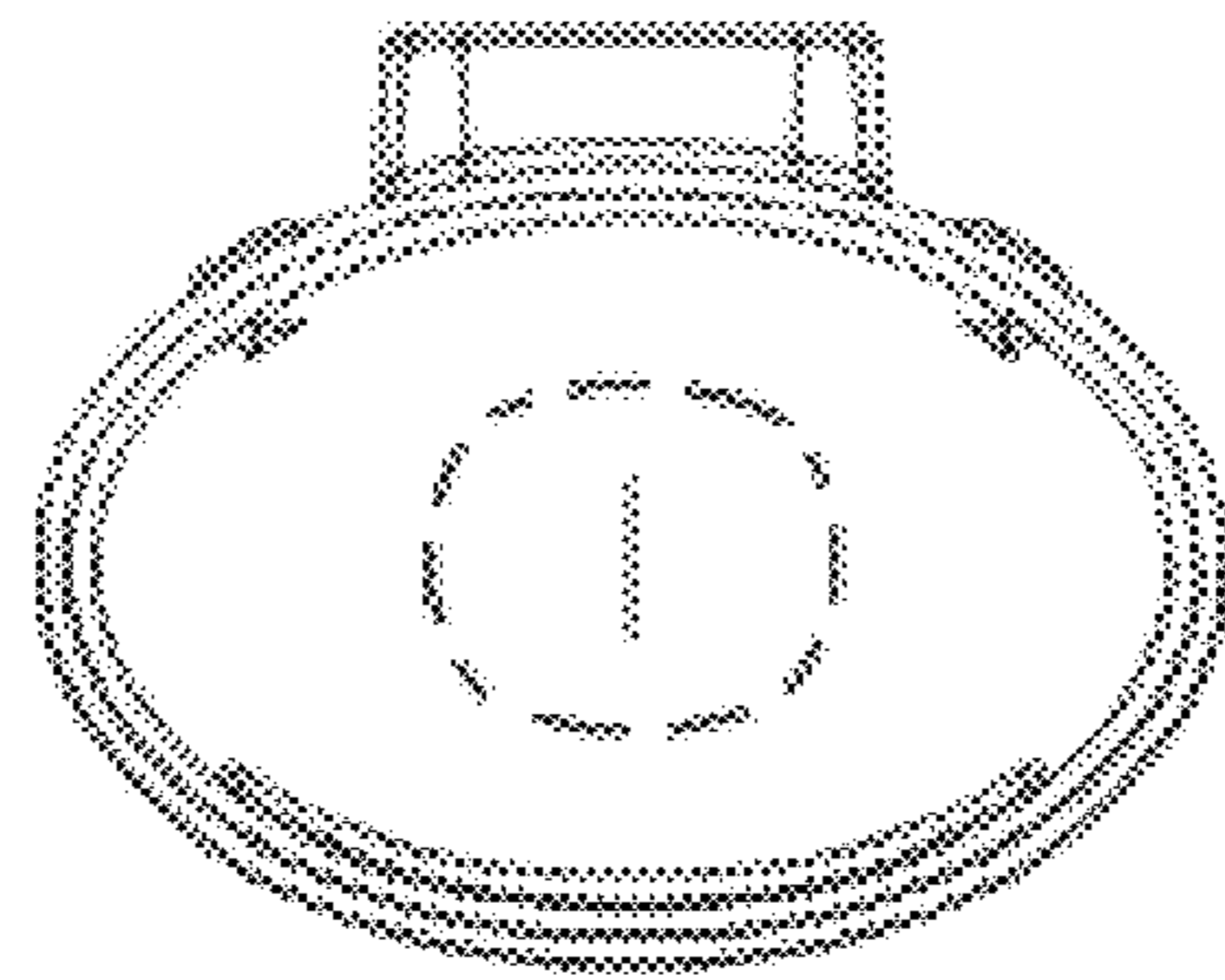


Fig. 6

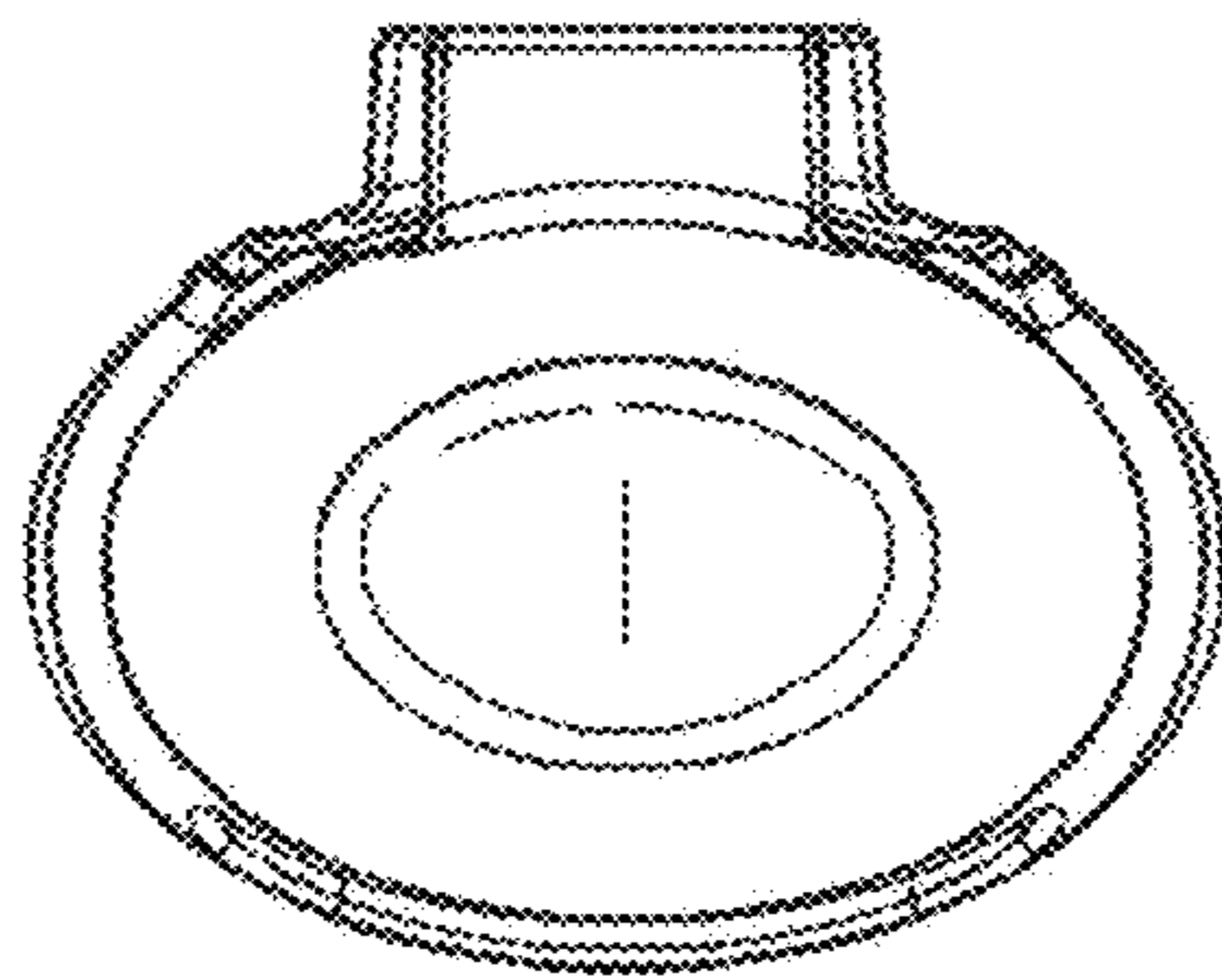


Fig. 7