



US00D951435S

(12) **United States Design Patent** (10) **Patent No.:** **US D951,435 S**
Motomura et al. (45) **Date of Patent:** **** May 10, 2022**

(54) **CANNULA**

(56) **References Cited**

(71) Applicant: **Evaheart, Inc.**, Houston, TX (US)

U.S. PATENT DOCUMENTS

(72) Inventors: **Tadashi Motomura**, Houston, TX (US); **Robert Benkowski**, Fort Worth, TX (US)

6,517,477 B1 * 2/2003 Wendlandt A61B 1/00147
604/95.01
D749,725 S * 2/2016 Sauer D24/133
D785,161 S * 4/2017 Dravitzki D24/127
D810,280 S * 2/2018 Tharp D24/112
D830,523 S * 10/2018 Vranish D23/262
D830,524 S * 10/2018 Vranish D23/262
D870,264 S * 12/2019 Fedor D24/108

(73) Assignee: **Evaheart, Inc.**, Houston, TX (US)

(**) Term: **15 Years**

* cited by examiner

(21) Appl. No.: **29/805,763**

Primary Examiner — David G Muller

(22) Filed: **Aug. 30, 2021**

(74) *Attorney, Agent, or Firm* — Merchant & Gould P.C.

(57) **CLAIM**

The ornamental design for a cannula, as shown and described.

Related U.S. Application Data

DESCRIPTION

(62) Division of application No. 29/657,632, filed on Jul. 24, 2018, now Pat. No. Des. 929,576.

(51) **LOC (13) Cl.** **24-02**

(52) **U.S. Cl.**
USPC **D24/112**

(58) **Field of Classification Search**
USPC D24/112–114, 108, 130, 127, 133, 186;
606/181, 185; 604/264, 523–528, 272,
604/164.01–164.11, 187, 93.01; 600/101,
600/139, 143; 128/200.24, 207.14,
128/207.15
CPC A61M 25/00; A61M 39/00; A61M 27/00;
A61M 25/0043; A61M 25/0067; A61M
25/0097; A61F 2/958

FIG. 1 is a first perspective view of the cannula.
FIG. 2 is a second perspective view of the cannula.
FIG. 3 is a front view of the cannula.
FIG. 4 is a rear view of the cannula.
FIG. 5 is a first side view of the cannula.
FIG. 6 is a second side view of the cannula, illustrating a side opposite that shown in FIG. 5.
FIG. 7 is a top view of the cannula; and,
FIG. 8 is a bottom view of the cannula.
The broken line showing of parts of the drawings is included for the purpose of illustrating use and environment and forms no part of the claimed design.

See application file for complete search history.

1 Claim, 8 Drawing Sheets

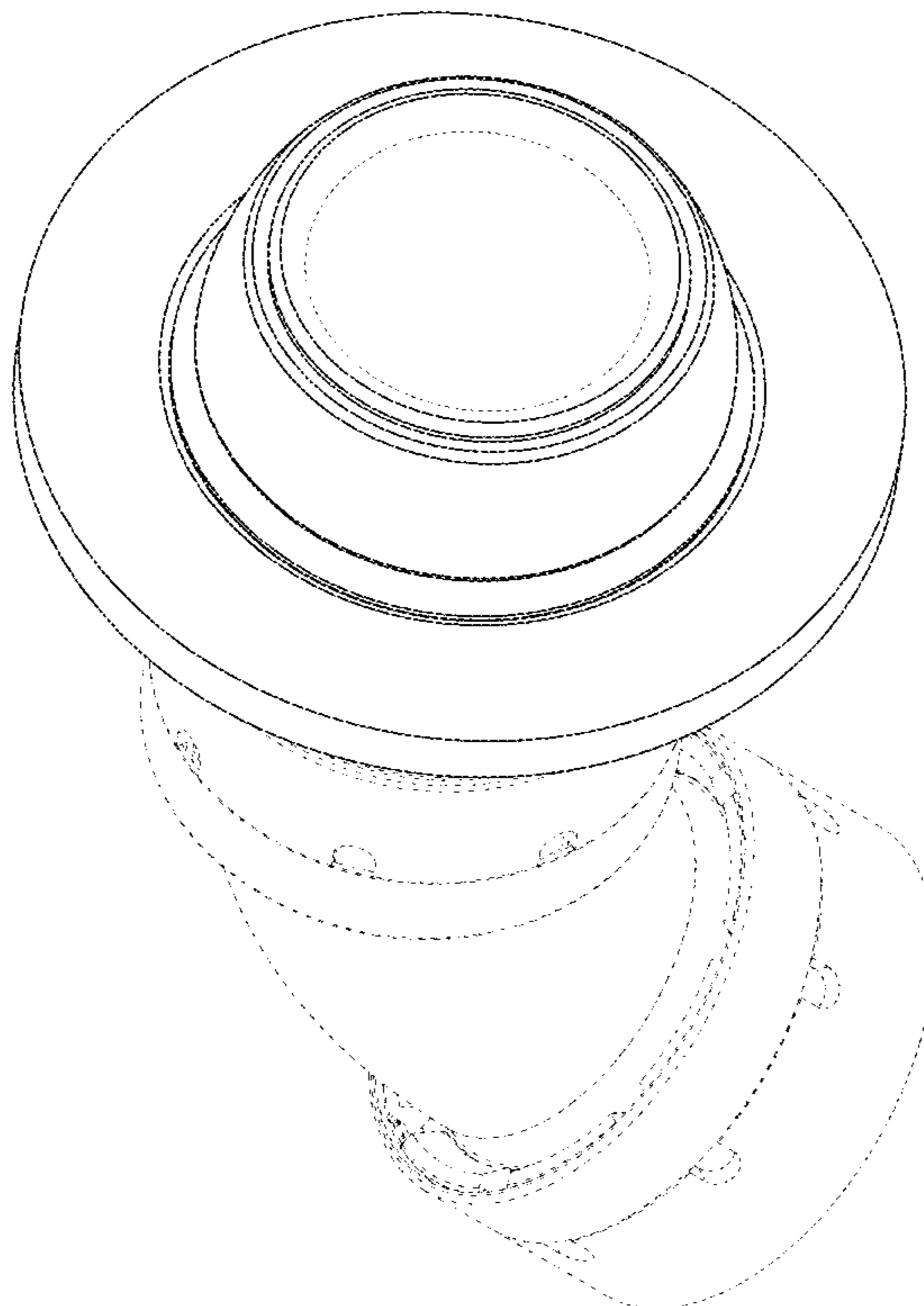


FIG. 1

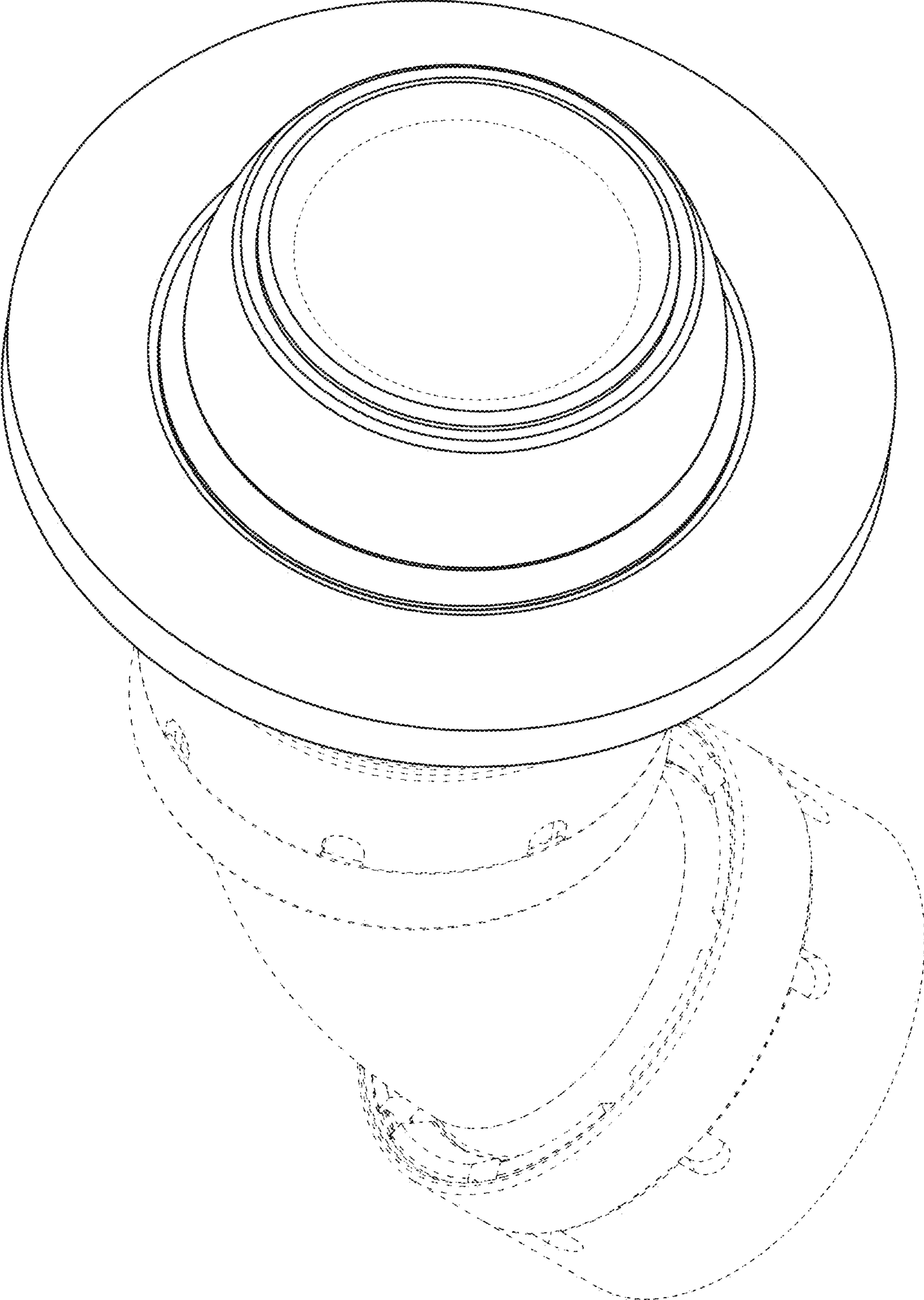


FIG. 2

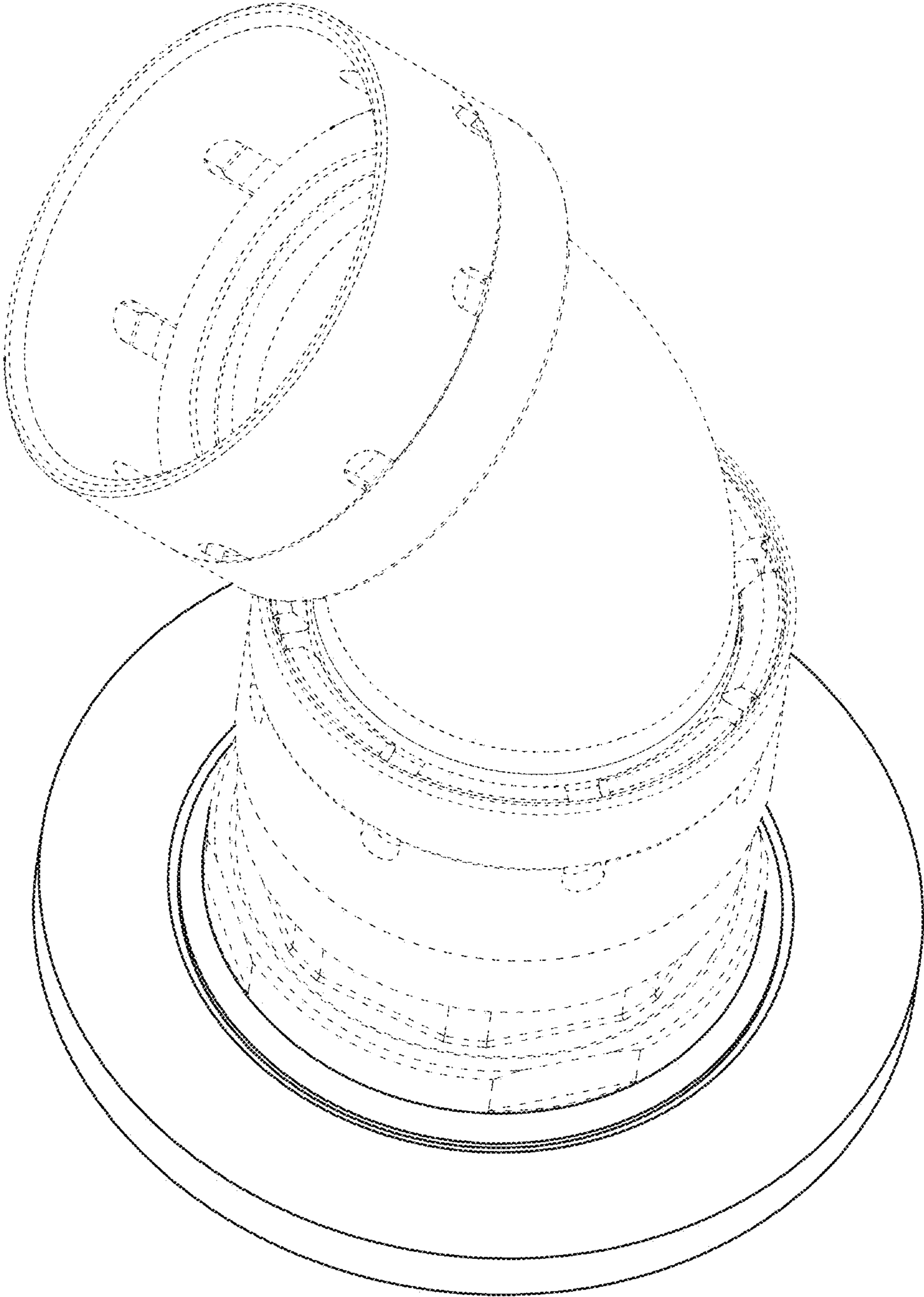


FIG. 3

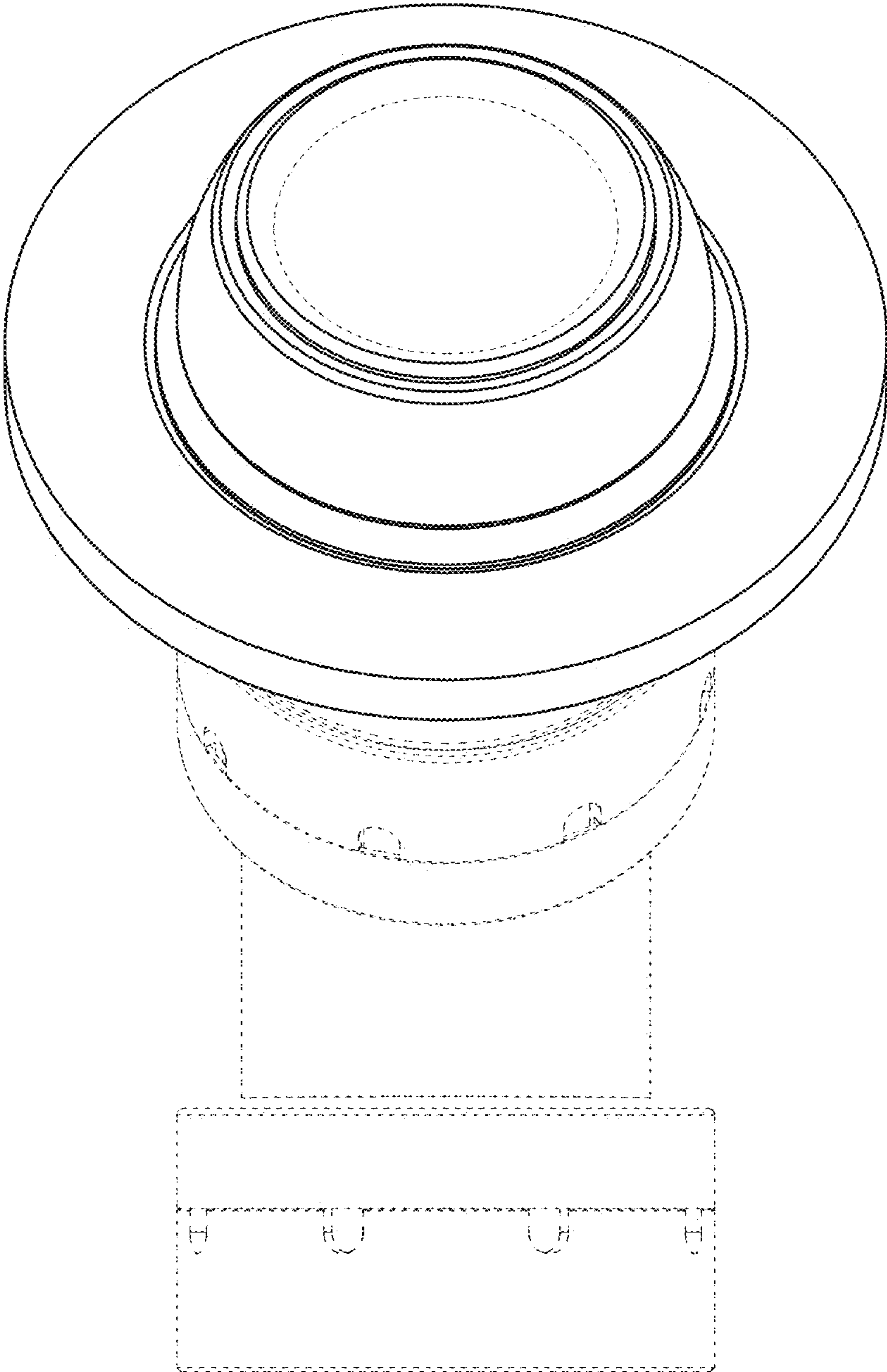


FIG. 4

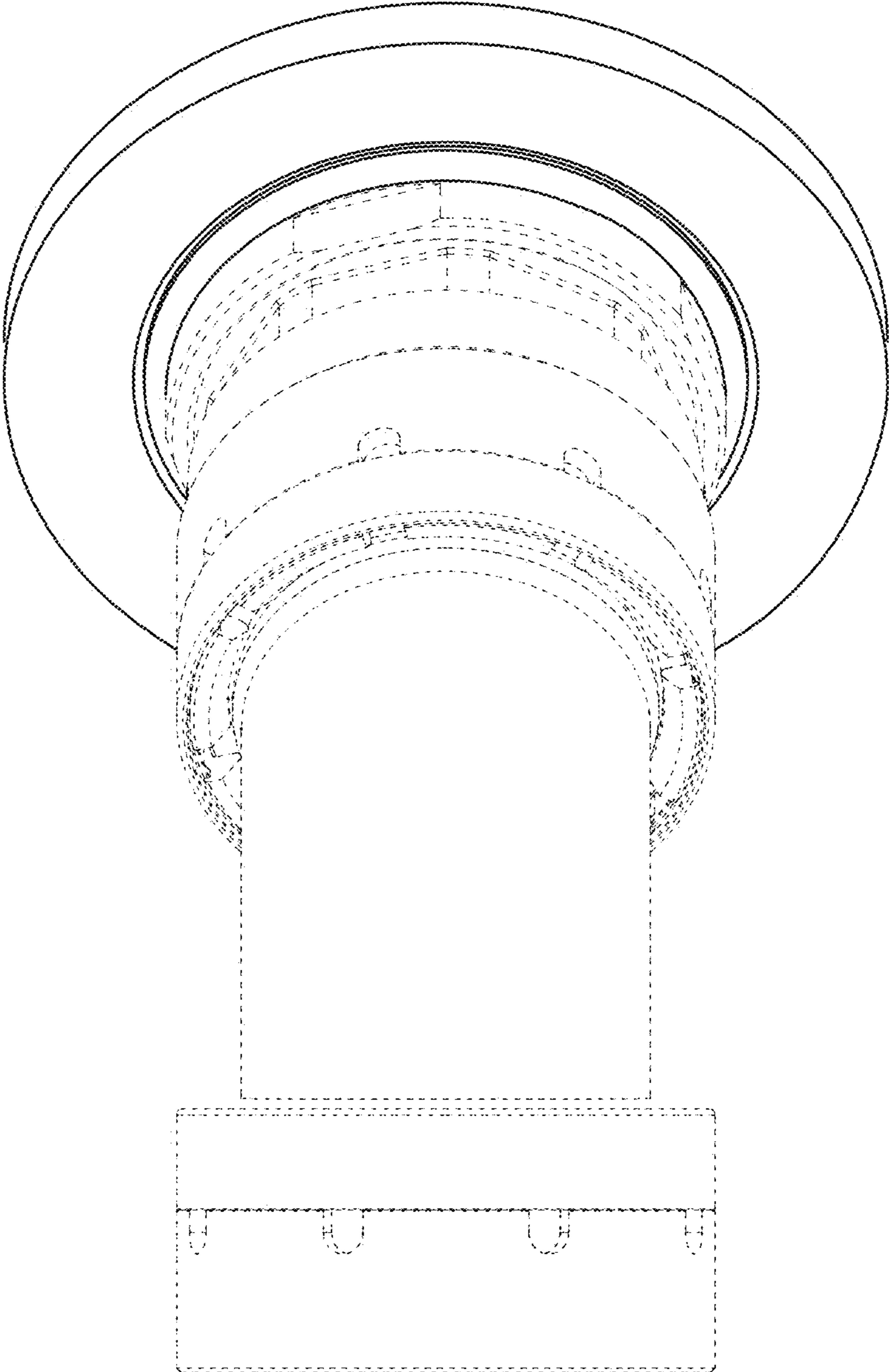


FIG. 5

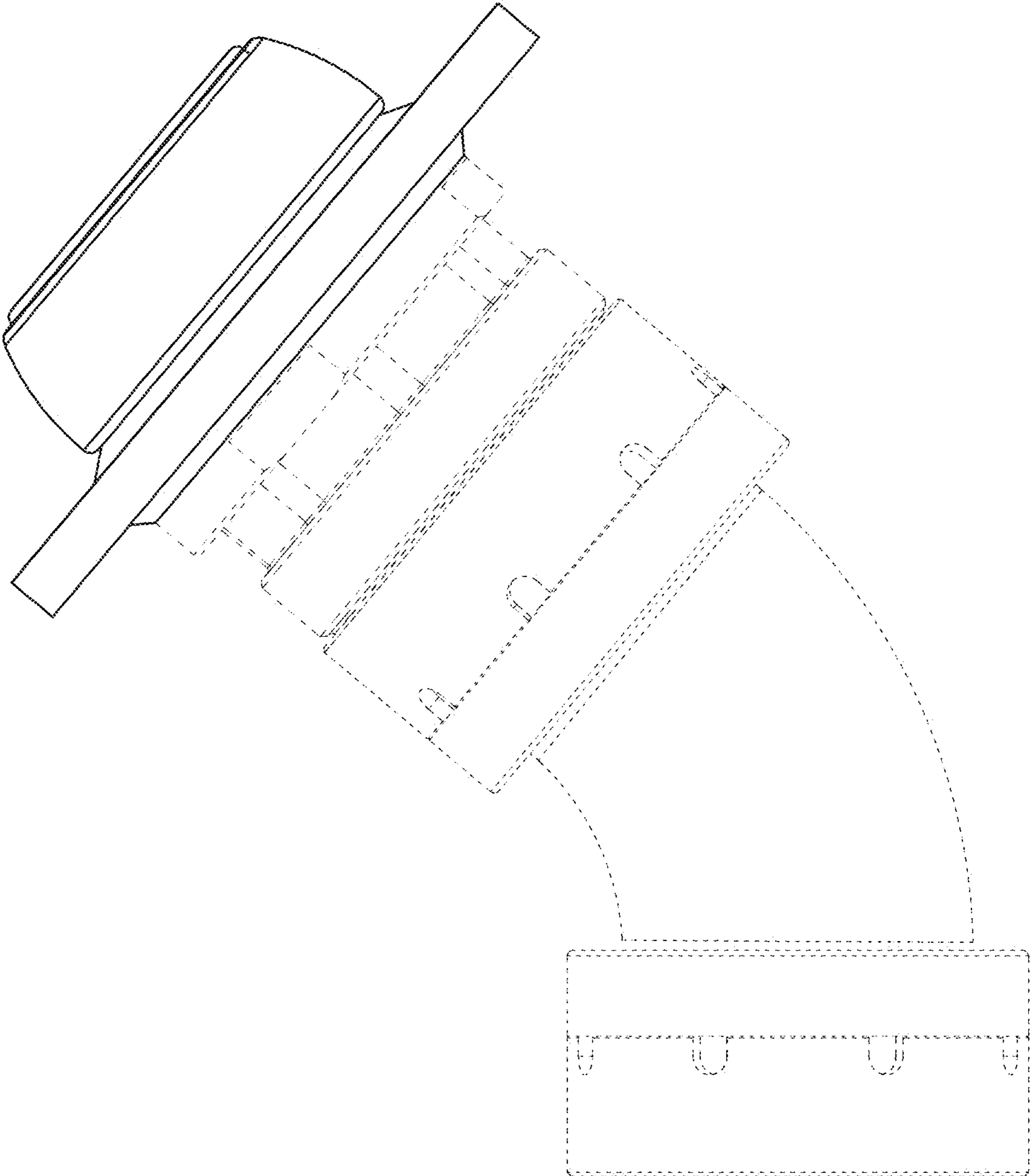
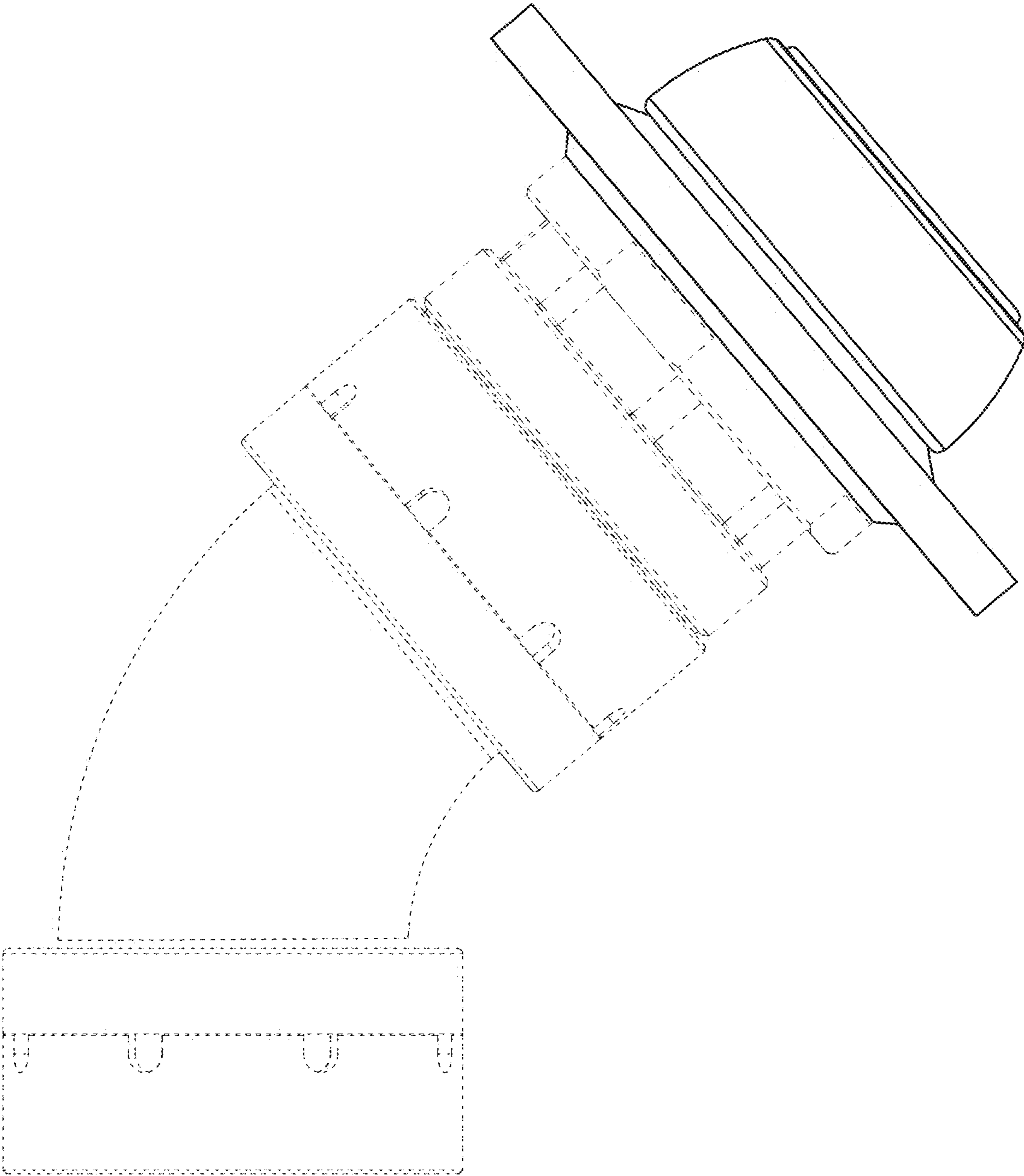


FIG. 6



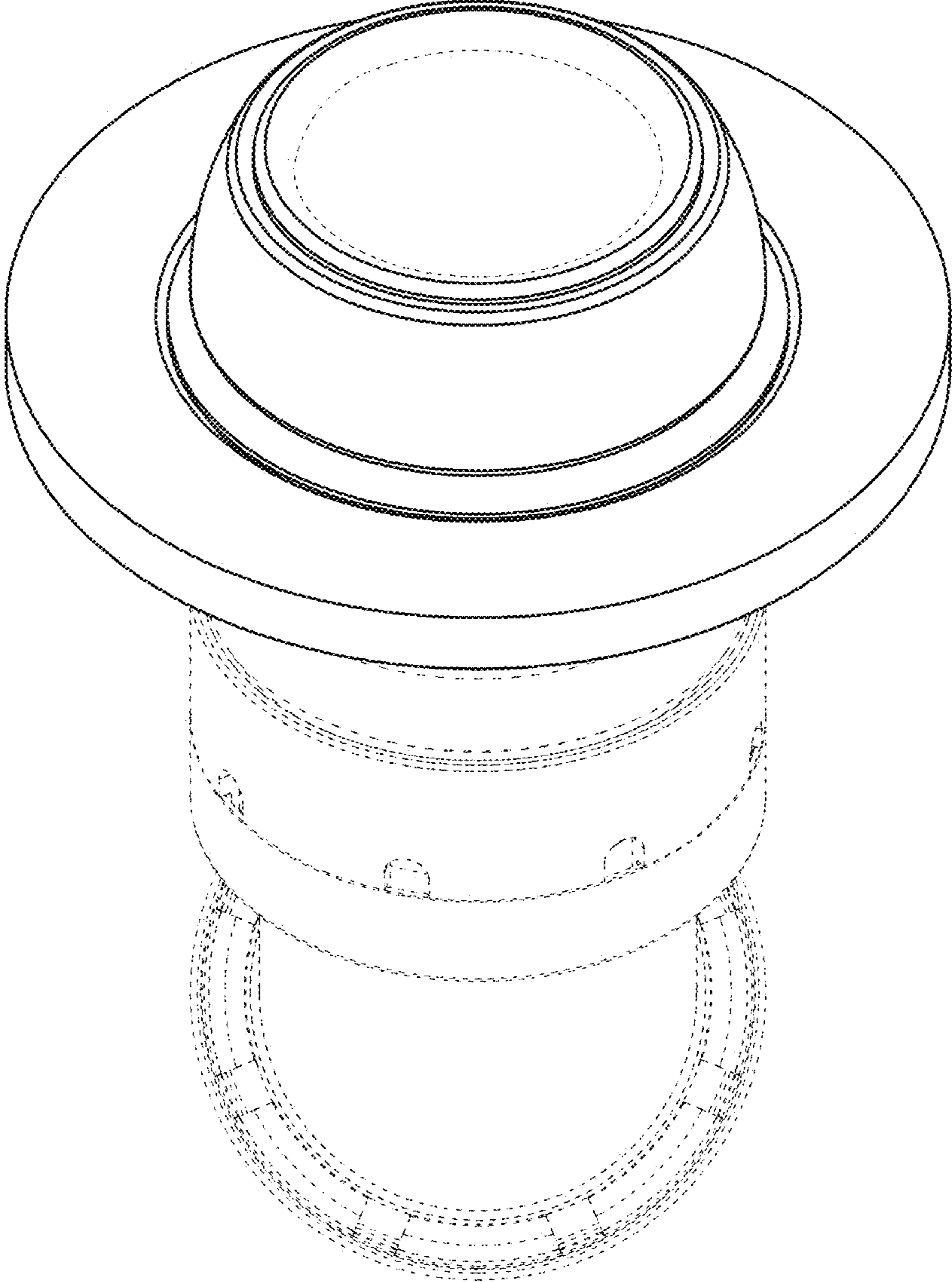


FIG. 7

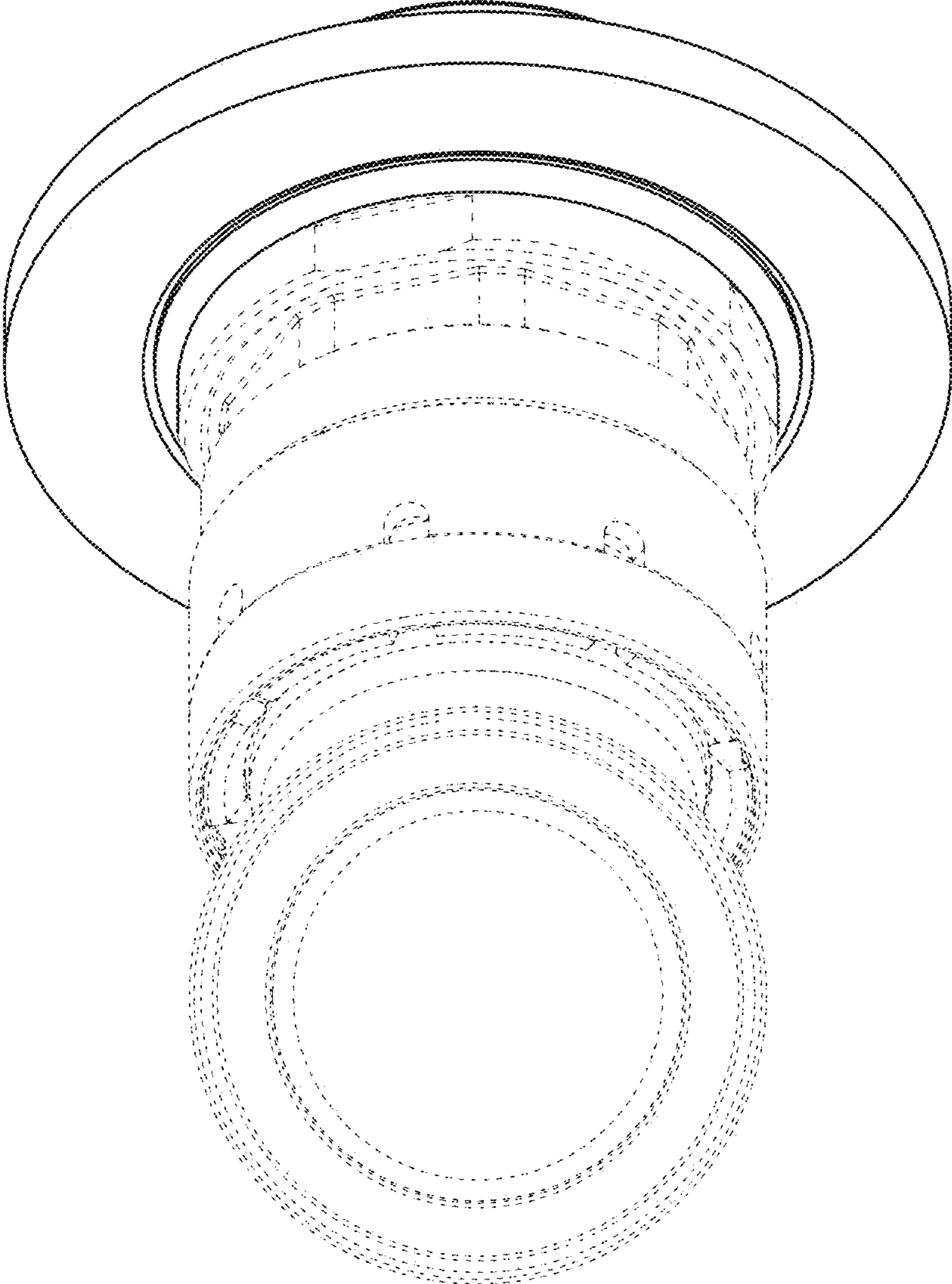


FIG. 8