



US00D951427S

(12) **United States Design Patent**  
**Tosun**

(10) **Patent No.:** **US D951,427 S**

(45) **Date of Patent:** **\*\* May 10, 2022**

(54) **VENTILATOR BLADE**

(71) Applicant: **GT KARBON IZLEME VE ENERJI VERIMLILIGI SANAYI TICARET LIMITED SIRKETI, Istanbul (TR)**

(72) Inventor: **Savas Tosun, Istanbul (TR)**

(\*\*) Term: **15 Years**

(21) Appl. No.: **35/509,970**

(22) Filed: **Jul. 14, 2020**

(80) **Hague Agreement Data**

Int. Filing Date: **Jul. 14, 2020**

Int. Reg. No.: **DM/209391**

Int. Reg. Date: **Jul. 14, 2020**

Int. Reg. Pub. Date: **Jul. 31, 2020**

(30) **Foreign Application Priority Data**

Jul. 6, 2020 (TR) ..... 2020/04661

(51) **LOC (13) Cl.** ..... **23-03**

(52) **U.S. Cl.**

USPC ..... **D23/413; D23/370; D23/379**

(58) **Field of Classification Search**

USPC ..... D23/209, 233, 314, 318, 330, 341, 355, D23/365, 370, 371, 375, 377, 379, 386, D23/393, 411, 412, 413; D12/163, 166, D12/171, 172, 216; D6/703.5

CPC ..... F04D 25/088; F21V 33/0096

See application file for complete search history.

(56) **References Cited**

**U.S. PATENT DOCUMENTS**

6,146,097 A \* 11/2000 Bradt ..... F04D 25/088  
416/169 R

D477,865 S \* 7/2003 Huang ..... D23/413

D509,295 S *	9/2005	Stauffer	.....	D23/413
D582,030 S *	12/2008	Pickett	.....	D23/411
D634,419 S *	3/2011	Lambertson	.....	D23/393
D644,316 S *	8/2011	Spaggiari	.....	D23/413
D665,492 S *	8/2012	Romero Carreras	.....	D23/413
D667,104 S *	9/2012	Shiraichi	.....	D23/413
D670,802 S *	11/2012	Wang	.....	D23/413
D742,496 S *	11/2015	Carter	.....	D23/365
D745,658 S *	12/2015	Wang	.....	D23/413
D755,948 S *	5/2016	Ertze	.....	D23/413
D776,251 S *	1/2017	Pickett	.....	D23/413
D787,656 S *	5/2017	Yoo	.....	D23/351
D791,928 S *	7/2017	Yang	.....	D23/377
9,869,325 B2 *	1/2018	Witt	.....	F04D 29/388
D874,358 S *	2/2020	Kezha	.....	D12/163
D898,177 S *	10/2020	Guo	.....	D23/365
D926,643 S *	8/2021	Forrest	.....	D12/163
D928,301 S *	8/2021	Hanson	.....	D23/365
2011/0305581 A1 *	12/2011	Shih-Chung	.....	F04D 25/088 416/232
2015/0345824 A1 *	12/2015	Hentges	.....	F24F 13/06 454/301

\* cited by examiner

*Primary Examiner* — Mojtaba Tehrani

(57) **CLAIM**

The ornamental design for a ventilator blade, as shown and described.

**DESCRIPTION**

1.-2. Ventilator blade

1.1 : Top view;

1.2 : Front view;

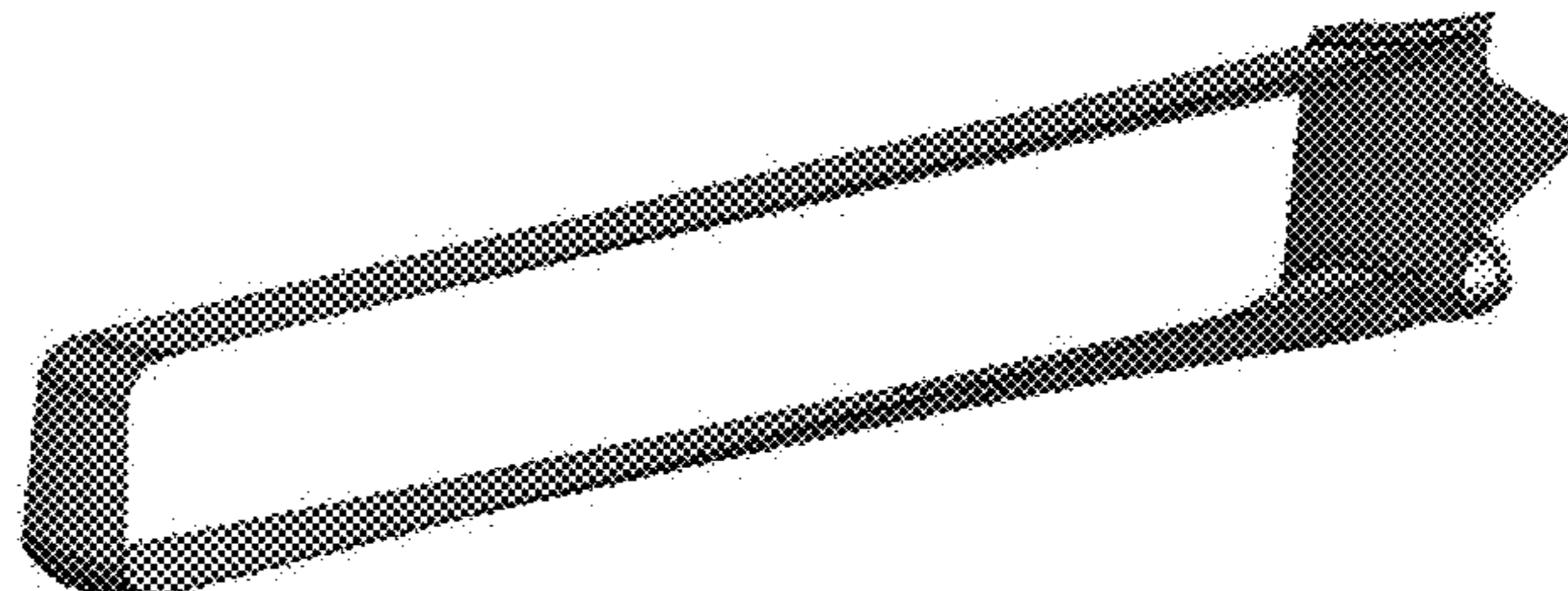
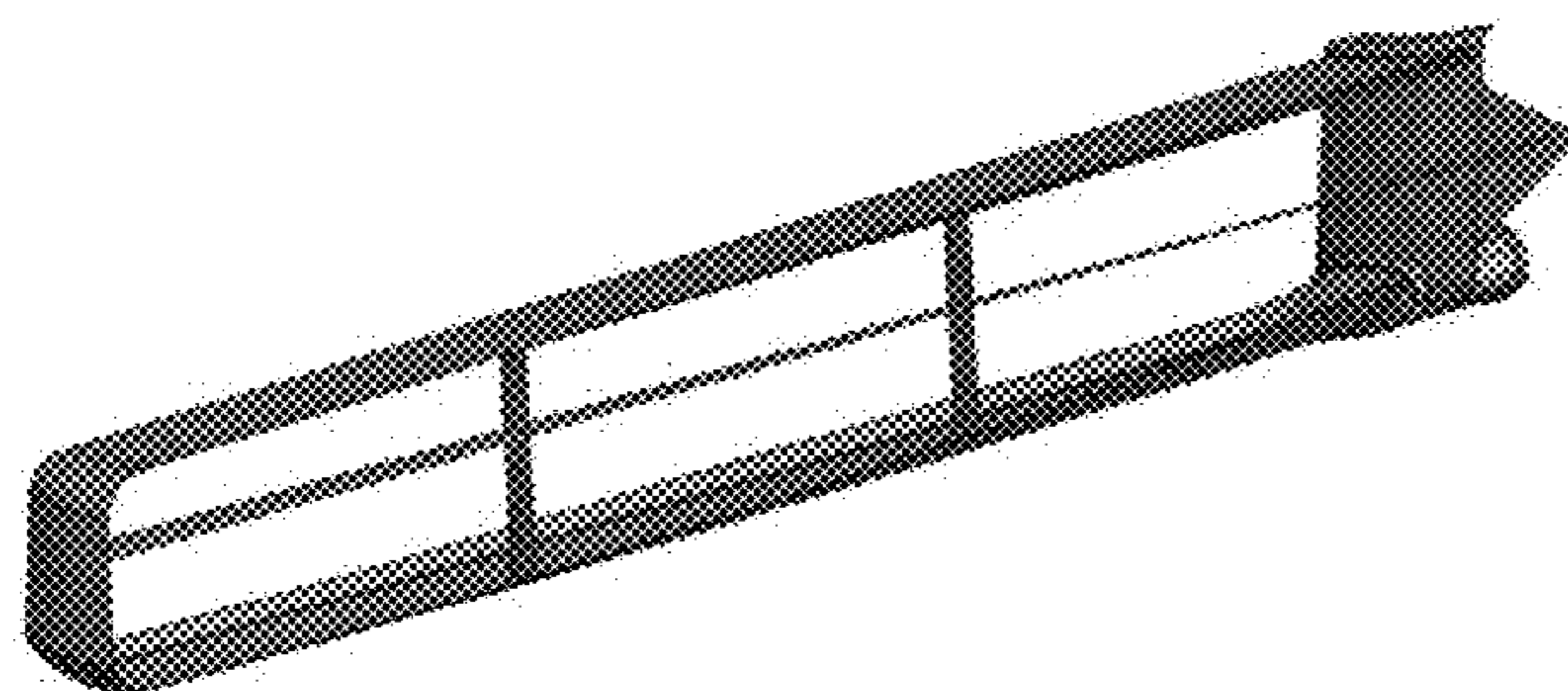
1.3 : Left side view;

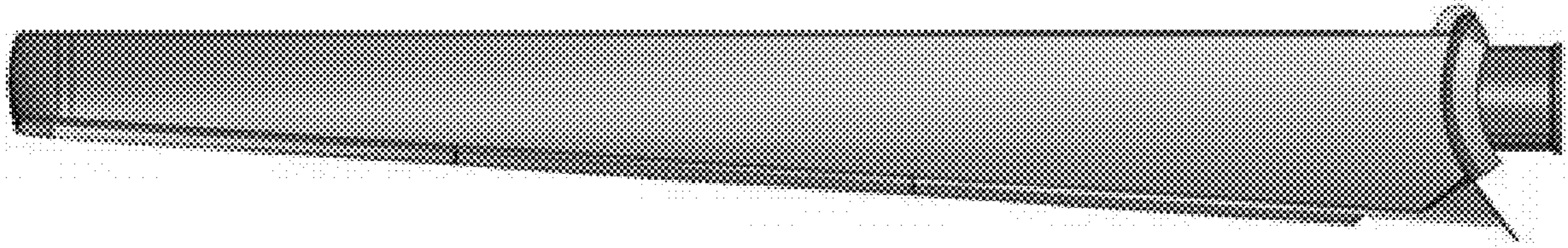
1.4 : Perspective view;

2.1 : Perspective view;

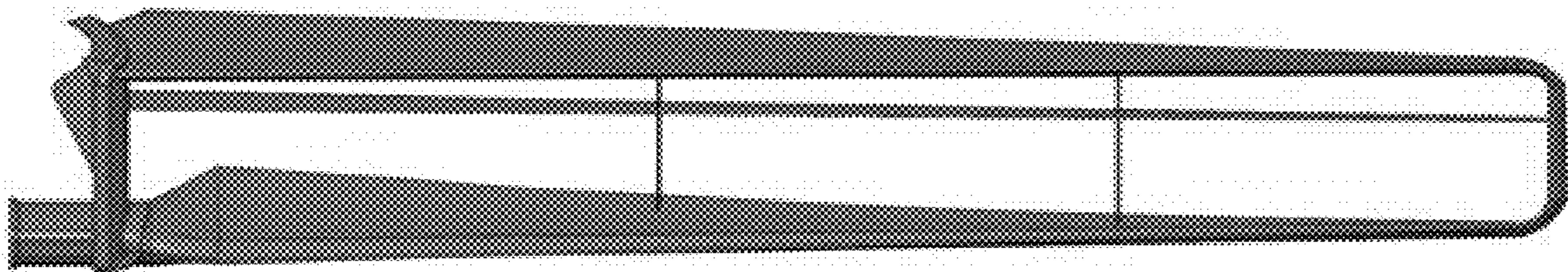
2.2 : Front view.

**1 Claim, 2 Drawing Sheets**

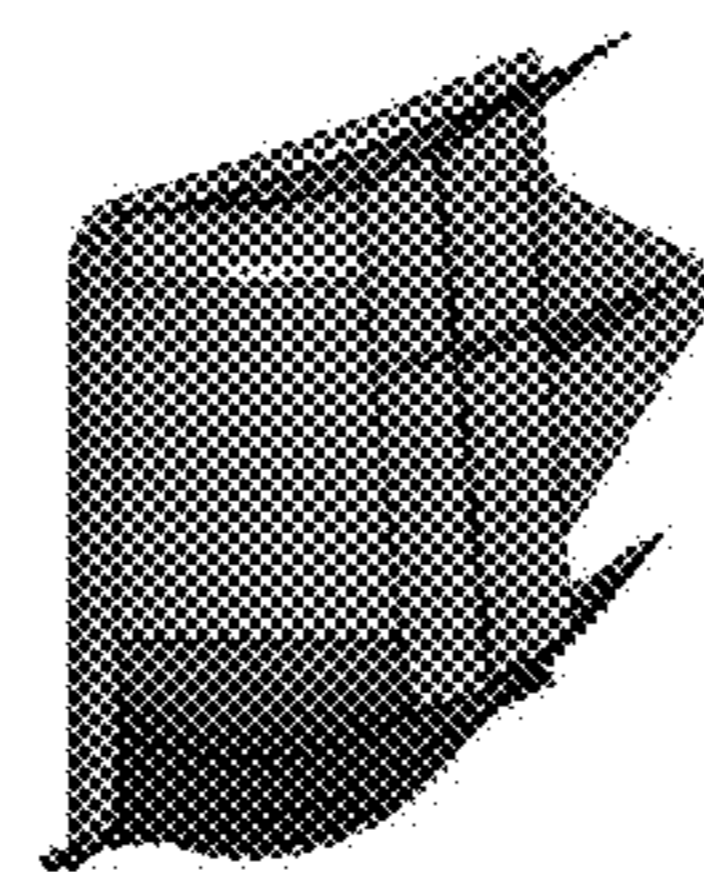




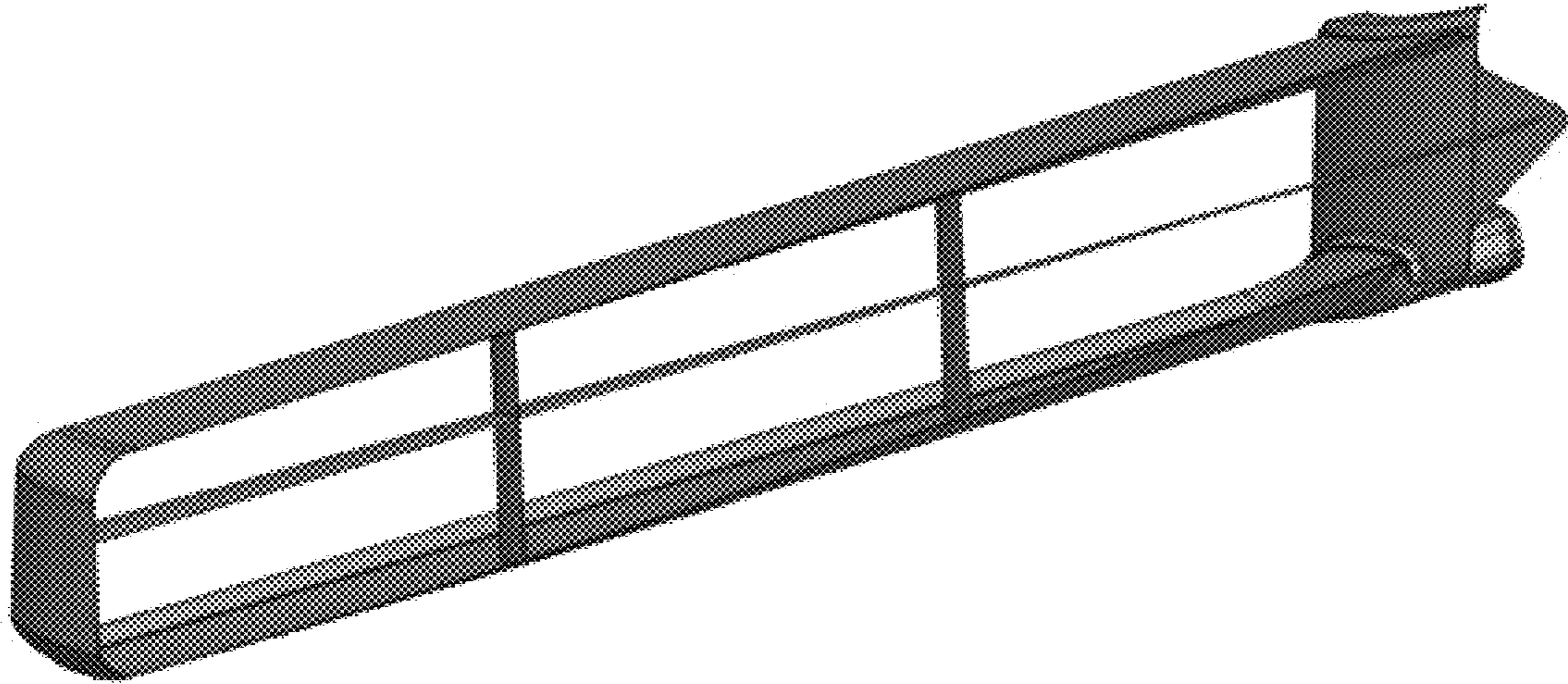
1.1



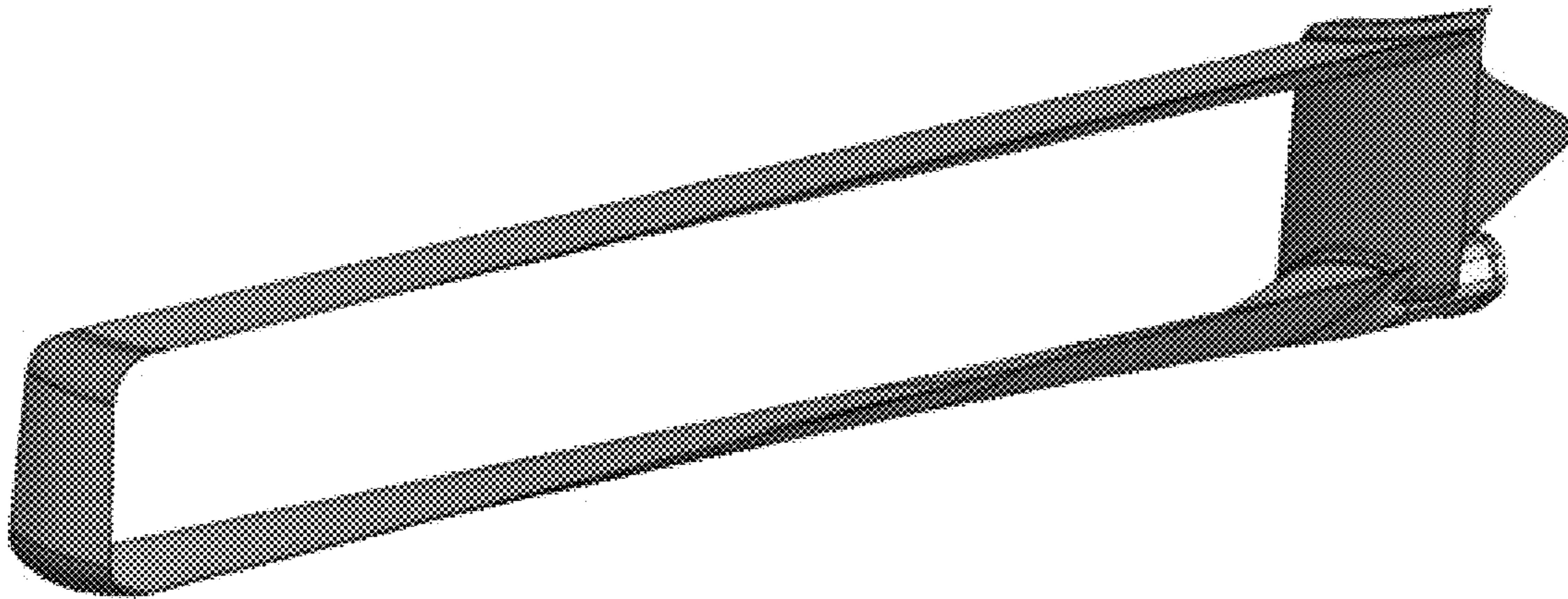
1.2



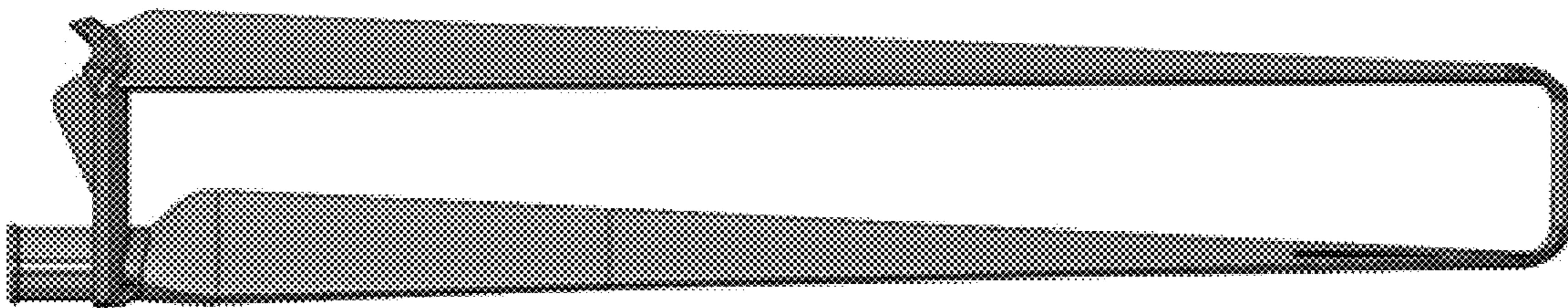
1.3



1.4



2.1



2.2