



US00D951426S

(12) **United States Design Patent**
Butters

(10) **Patent No.:** **US D951,426 S**

(45) **Date of Patent:** **** May 10, 2022**

(54) **VENT COVER**

(71) Applicant: **Vent Clean LLC**, Murray, UT (US)

(72) Inventor: **Erik Thompson Butters**, Salt Lake City, UT (US)

(73) Assignee: **Vent Clean LLC**, Murray, UT (US)

(**) Term: **15 Years**

(21) Appl. No.: **29/706,305**

(22) Filed: **Sep. 19, 2019**

(51) **LOC (13) Cl.** **23-03**

(52) **U.S. Cl.**
USPC **D23/393**

(58) **Field of Classification Search**
USPC D23/259, 260, 354, 355, 370, 371, 373,
D23/381, 382, 385-389, 390, 392, 393;
D7/354, 354.3, 354.4
CPC F24F 13/00; F24F 13/02; F24F 13/0209;
F24F 13/06; F24F 13/0604; F24F 13/08;
F24F 13/082; F24F 13/084; F24F 13/10;
F24F 13/12; F24F 13/14; F24F 13/15;
F24F 13/16; F24F 13/18; F24F 13/20;
F24F 7/02; A47J 27/16; A47J 27/18
See application file for complete search history.

(56) **References Cited**

U.S. PATENT DOCUMENTS

4,502,368	A *	3/1985	Hempel	F24F 13/00 248/222.41
D291,526	S *	8/1987	Heaney	D7/354
5,381,729	A *	1/1995	Hennessy	A47J 27/17 126/33
D380,259	S *	6/1997	Artz	D23/370
D390,943	S *	2/1998	Kelly	D23/373
D394,901	S *	6/1998	Governale	D23/351
D415,935	S *	11/1999	Martinez	D7/602
6,461,235	B2 *	10/2002	Rutler	F24F 13/085 454/289

D489,226	S *	5/2004	De Neubourg	D7/554.3
D569,676	S *	5/2008	Millsap	D7/354
D607,098	S *	12/2009	Sykes	D23/393
D654,162	S *	2/2012	Sykes	D23/393
D915,857	S *	4/2021	Brigham	D8/72

OTHER PUBLICATIONS

Vent Clean USA picture, Jul. 21, 2019, Facebook, site visited Jan. 14, 2022: <https://www.facebook.com/Vent-Clean-USA-695260380917484/photos/695338280909694> (Year: 2019).*
Crawl Space Recessed Foundation Vent Cover, Aug. 21, 2017, Amazon, site visited Jan. 14, 2022: <https://www.amazon.ca/dp/B074SVXP2H/> (Year: 2017).*
Chill Stop'R Universal AC Cover, Nov. 13, 2018, Amazon, site visited Jan. 14, 2022: <https://www.amazon.com/dp/B000LDK6EG/> (Year: 2018).*
Tiger Chef Third Size Stainless Steel Steam Table Water Pan, Mar. 28, 2017, Amazon (Year: 2017).*

* cited by examiner

Primary Examiner — Jack Reickel
Assistant Examiner — Bobby W Jones, II
(74) *Attorney, Agent, or Firm* — Kirton McConkie; Brian Tucker

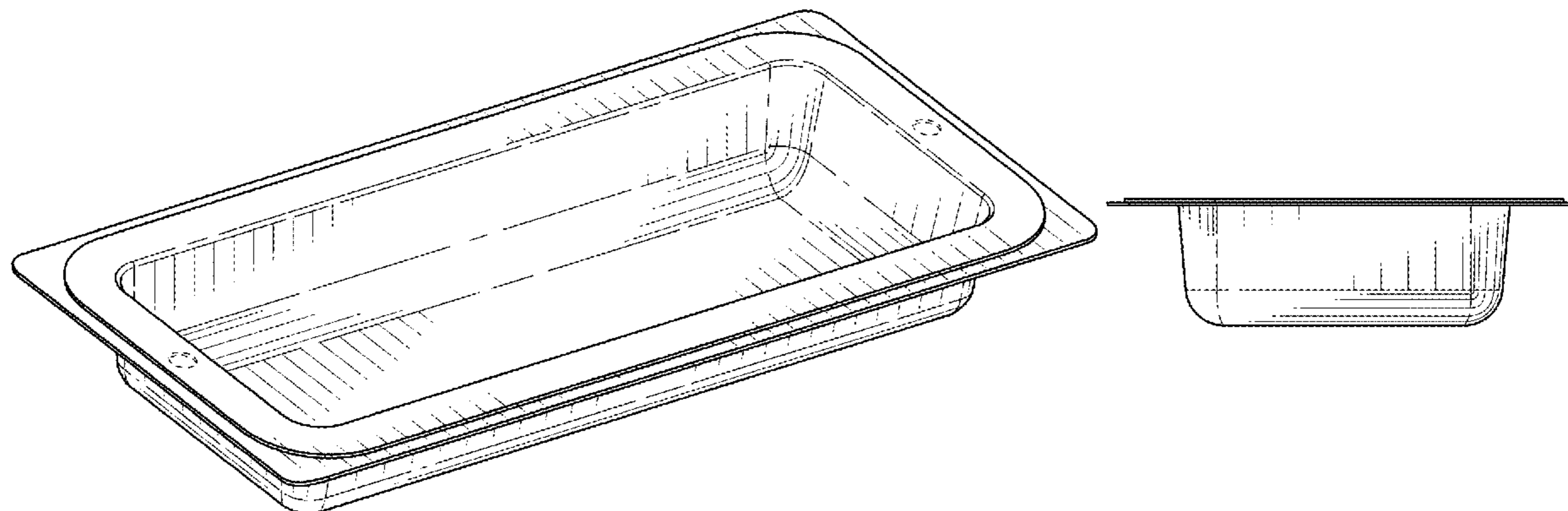
(57) **CLAIM**

The ornamental design for a vent cover, as shown and described.

DESCRIPTION

FIG. 1 is a front perspective view thereof;
FIG. 2 is a front elevation view thereof;
FIG. 3 is a rear elevation view thereof;
FIG. 4 is a left elevation view thereof;
FIG. 5 is a right elevation view thereof;
FIG. 6 is a top plan view thereof; and,
FIG. 7 is a bottom plan view thereof.
The broken lines represent openings that form no part of the claimed design.

1 Claim, 3 Drawing Sheets



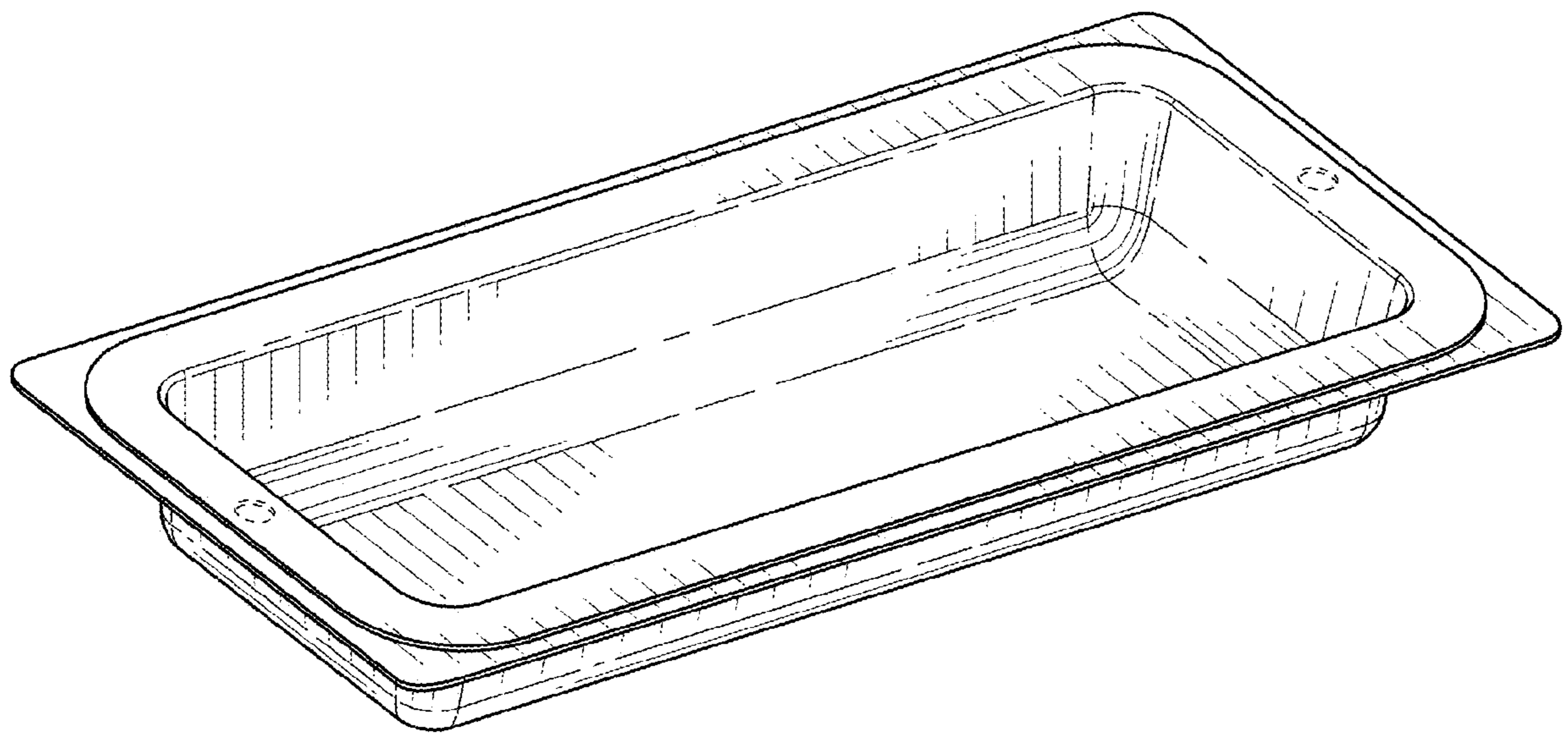


FIG. 1

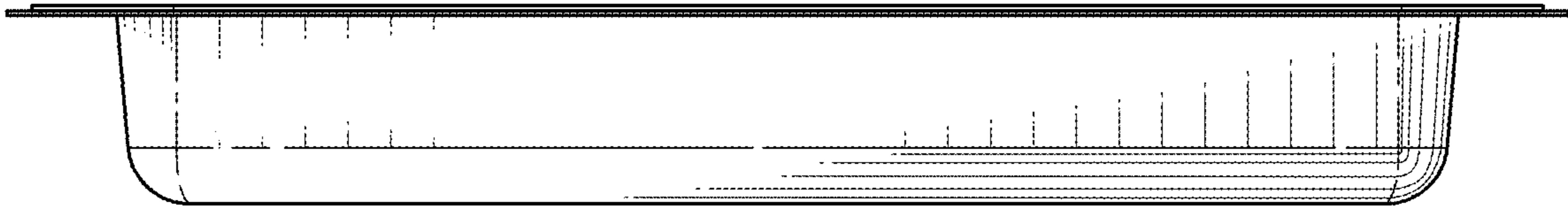


FIG. 2



FIG. 3

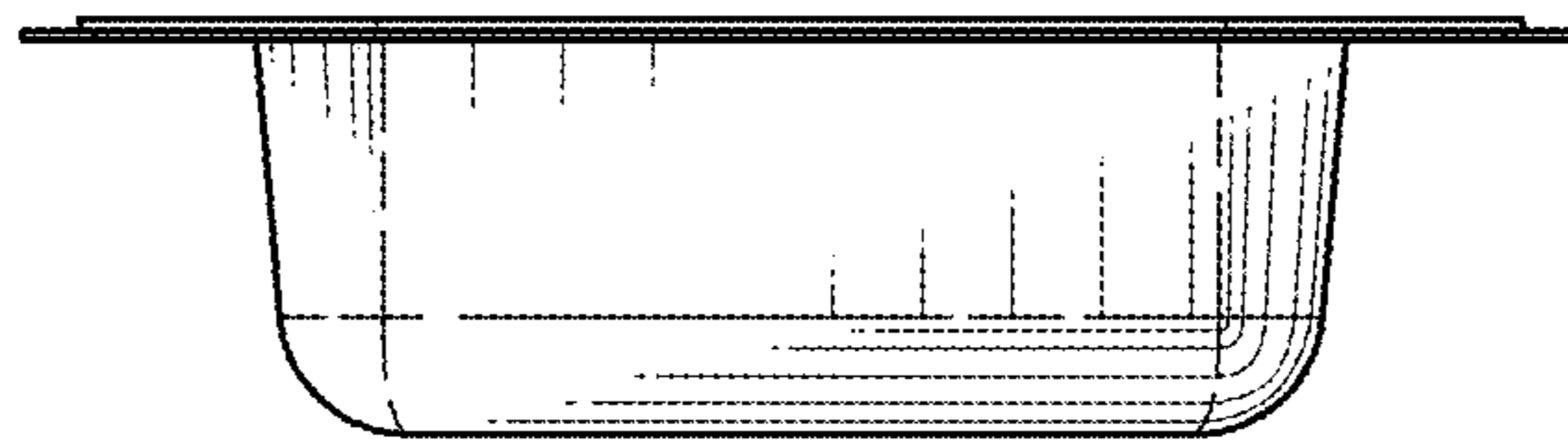


FIG. 4

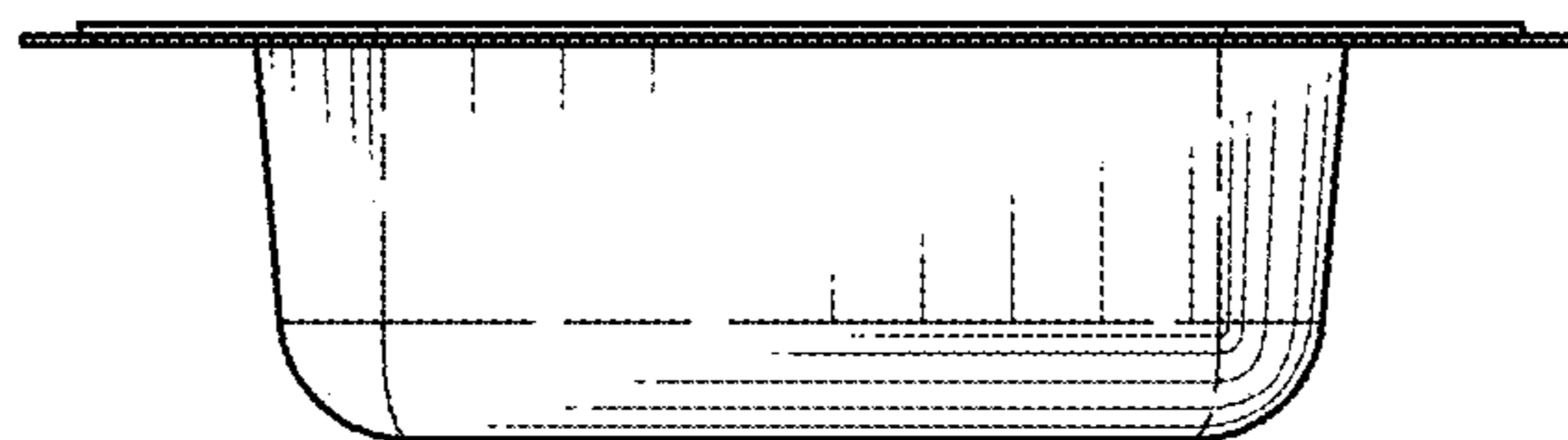


FIG. 5

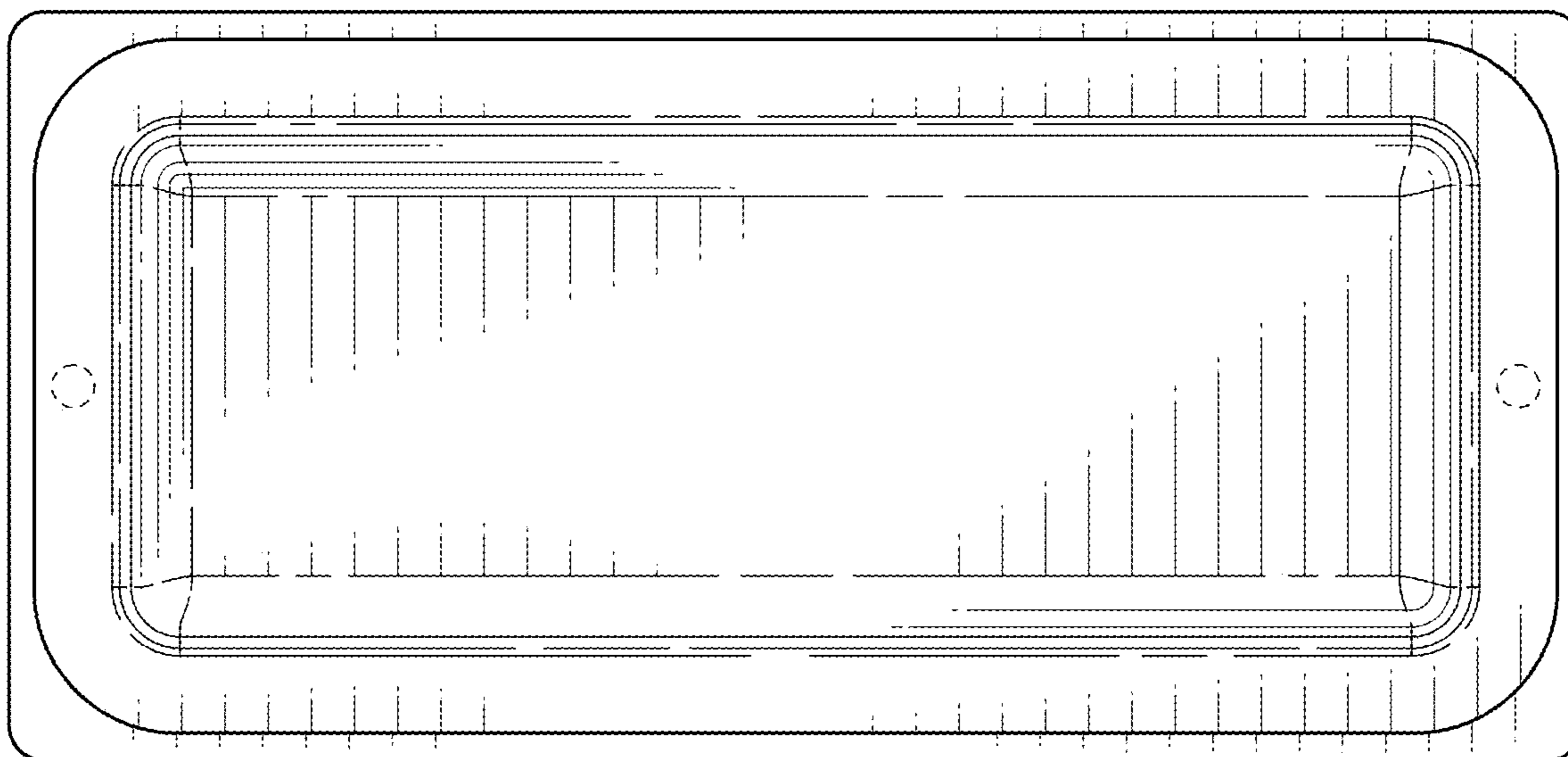


FIG. 6

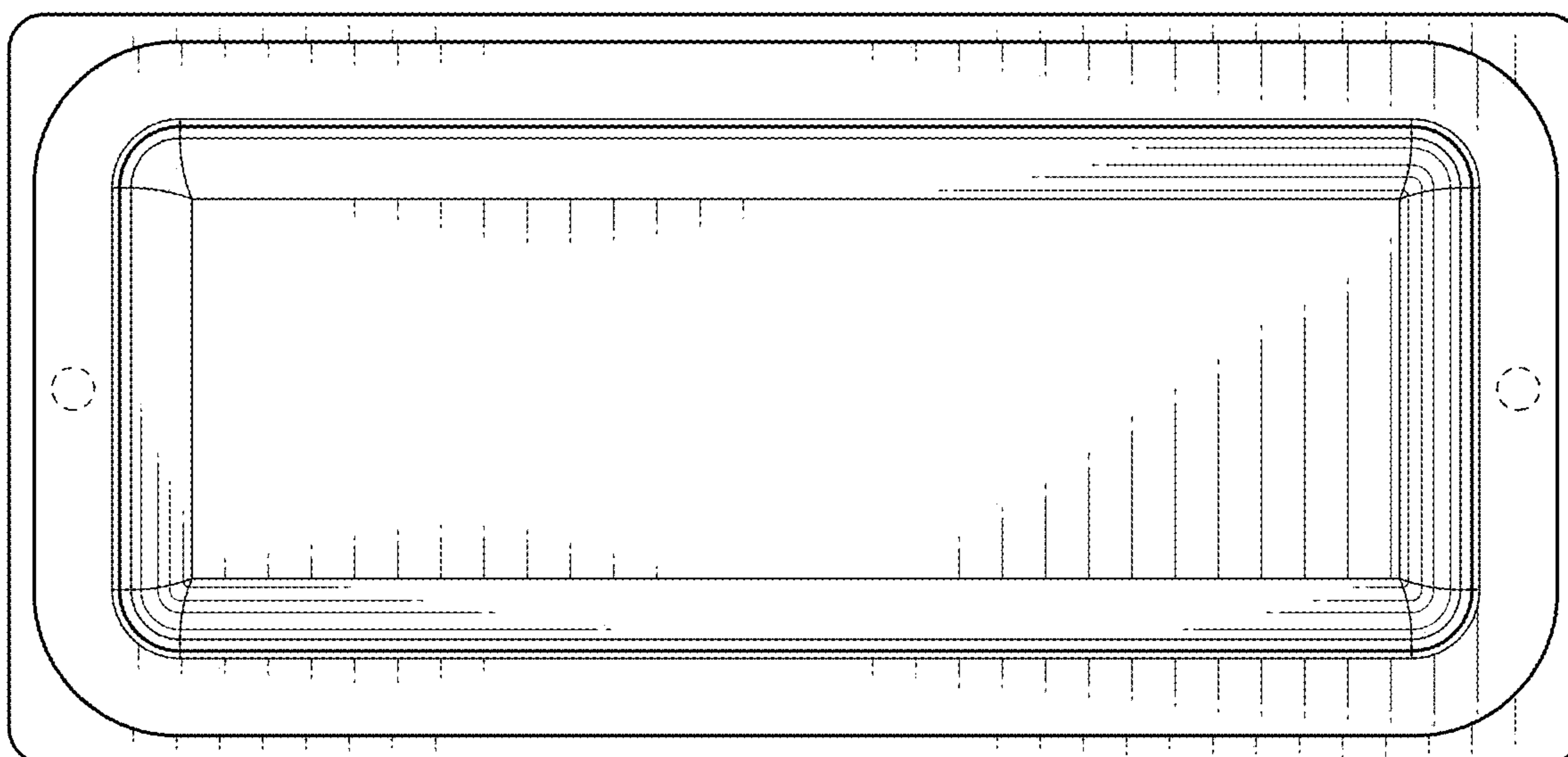


FIG. 7