



US00D951420S

(12) **United States Design Patent** (10) **Patent No.:** **US D951,420 S**  
**Funk** (45) **Date of Patent:** **\*\* May 10, 2022**

(54) **HOME FRAGRANCE DISPENSER**  
(71) Applicant: **Bath & Body Works Brand Management, Inc.**, Reynoldsburg, OH (US)  
(72) Inventor: **Tobias Funk**, Columbus, OH (US)  
(73) Assignee: **Bath & Body Works Brand Management, Inc.**, Reynoldsburg, OH (US)  
(\*\*) Term: **15 Years**

(21) Appl. No.: **29/713,048**

(22) Filed: **Nov. 13, 2019**

**Related U.S. Application Data**

(63) Continuation-in-part of application No. 29/697,834, filed on Jul. 11, 2019, now abandoned.

(51) **LOC (13) Cl.** ..... **28-99**

(52) **U.S. Cl.**  
USPC ..... **D23/366**

(58) **Field of Classification Search**  
USPC ..... D23/209, 355, 356, 358, 359, 360, 364, D23/365, 366, 367; D7/533, 536  
(Continued)

(56) **References Cited**

**U.S. PATENT DOCUMENTS**

D106,802 S \* 11/1937 Levy ..... D5/46  
D379,687 S \* 6/1997 Curtis ..... D30/144  
(Continued)

**OTHER PUBLICATIONS**

Gingham—The Daily Trio Gift Set Full Size—Shower Gel, Fine Fragrance Mist and Super Smooth Body Lotion—2019 Brand: Bath and BodyWorks [Dec. 29, 2021] found online [Dec. 29, 2021]—[https://www.amazon.com/Bath-Body-Works-Gingham-Fragrance/dp/B07RSP4CZB/ref=pd\\_sbs\\_5/140-9842484-1556522?pd\\_rd\\_w=lmxhx&pf\\_rd\\_p=0a3ad2.\\*](https://www.amazon.com/Bath-Body-Works-Gingham-Fragrance/dp/B07RSP4CZB/ref=pd_sbs_5/140-9842484-1556522?pd_rd_w=lmxhx&pf_rd_p=0a3ad2.*)

(Continued)

*Primary Examiner* — John A Voytek  
(74) *Attorney, Agent, or Firm* — Andrus Intellectual Property Law, LLP

(57) **CLAIM**

The ornamental design for a home fragrance dispenser, as shown and described.

**DESCRIPTION**

The file of this patent contains at least one drawing executed in color. Copies of this patent with color drawings will be provided by the United States Patent and Trademark Office upon request and payment of the necessary fee.

FIG. 1 is a perspective view of a first embodiment of a home fragrance dispenser according to my new and ornamental design;

FIG. 2 is a front elevation view thereof;

FIG. 3 is a rear elevation view thereof;

FIG. 4 is a left side elevation view thereof;

FIG. 5 is a right side elevation view thereof;

FIG. 6 is a top plan view thereof;

FIG. 7 is a bottom plan view thereof;

FIG. 8 is a perspective view of a second embodiment of a home fragrance dispenser according to my new and ornamental design;

FIG. 9 is a front elevation view thereof;

FIG. 10 is a rear elevation view thereof;

FIG. 11 is a left side elevation view thereof;

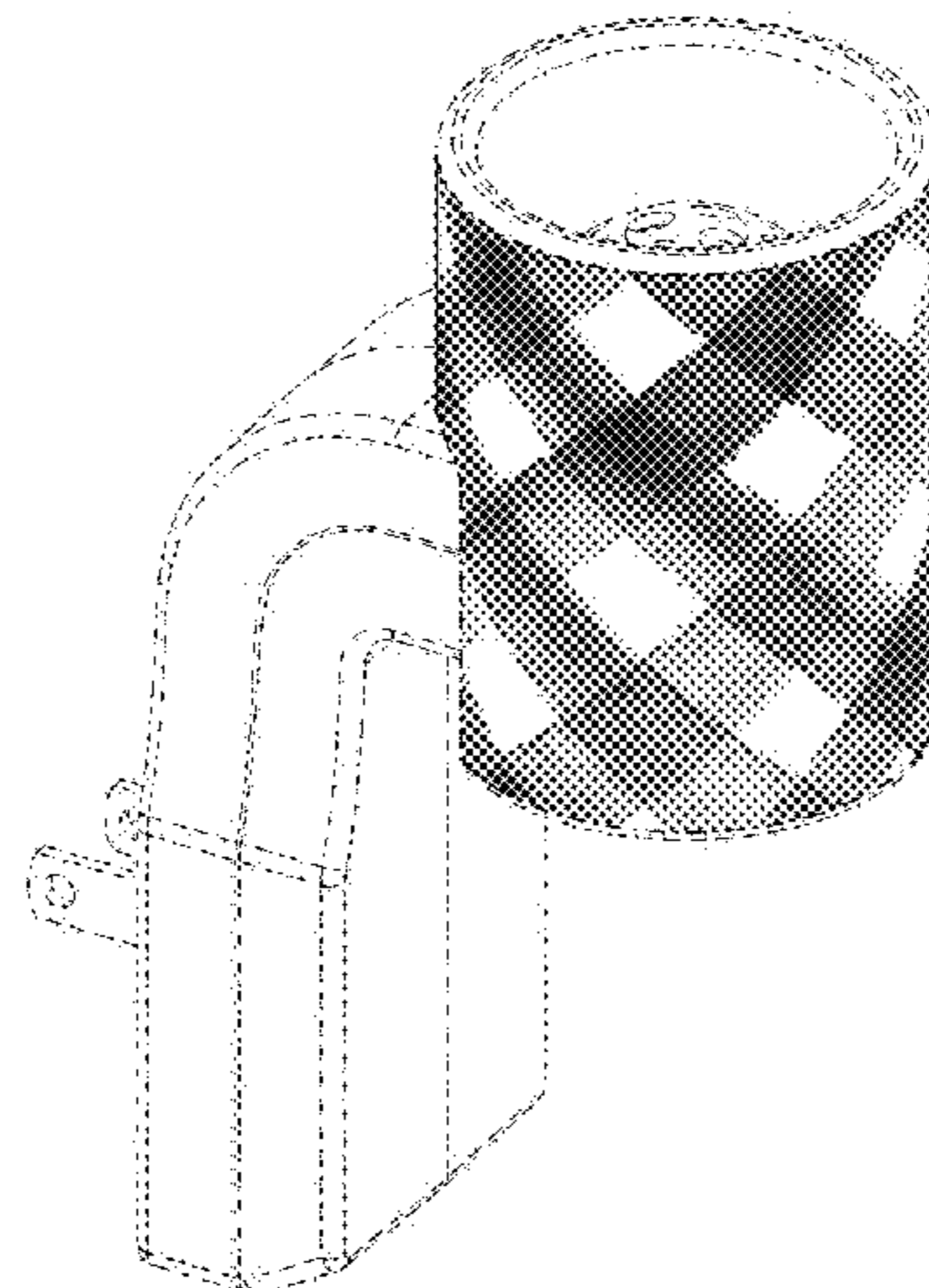
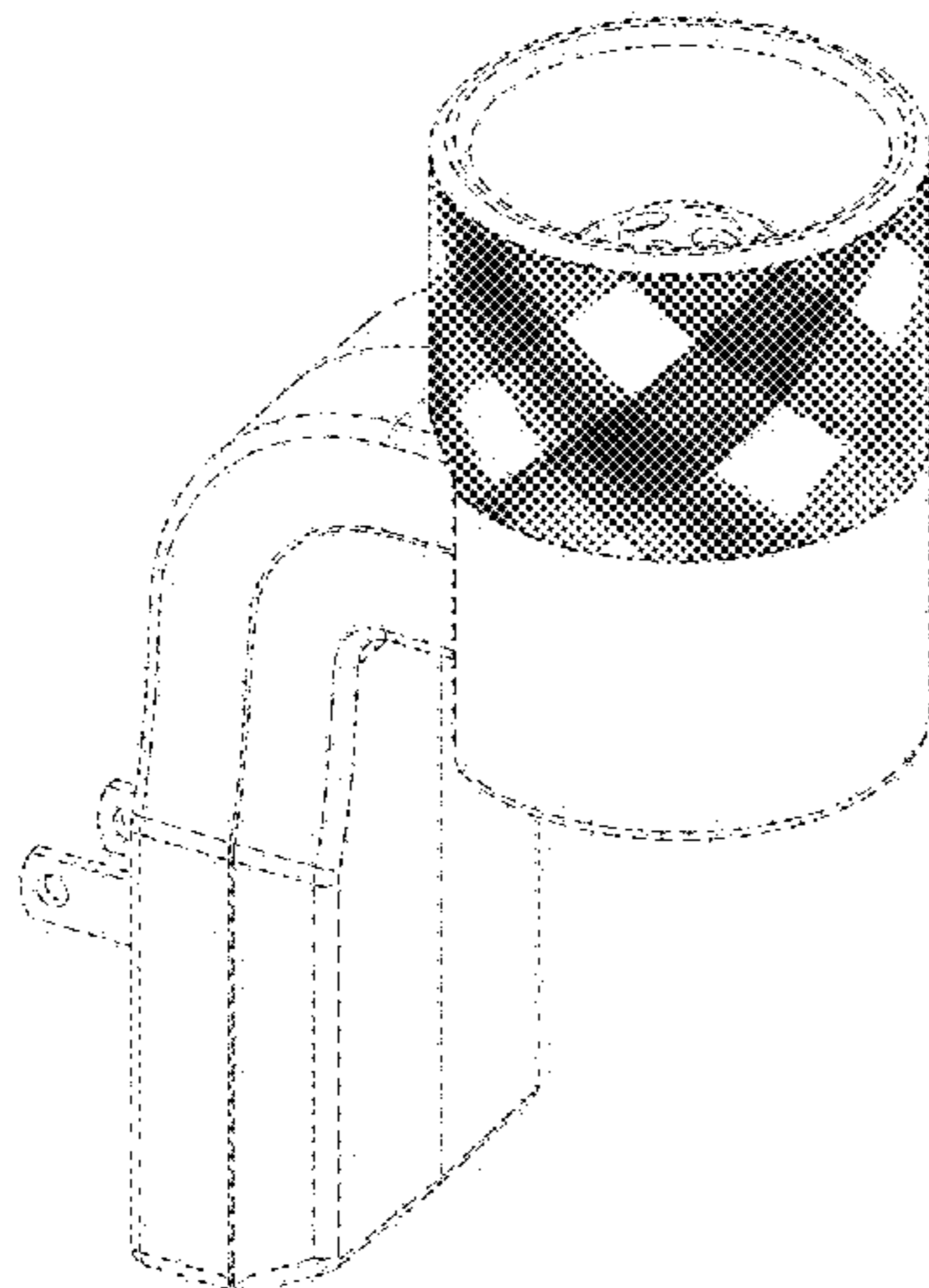
FIG. 12 is a right side elevation view thereof;

FIG. 13 is a top plan view thereof; and,

FIG. 14 is a bottom plan view thereof.

The dash-dot broken lines represent the boundaries of the claimed design and form no part of the claimed design. The broken lines outside of the boundaries represent portions of the home fragrance dispenser that form no part of the claimed design.

**1 Claim, 14 Drawing Sheets**  
**(10 of 14 Drawing Sheet(s) Filed in Color)**



(58) **Field of Classification Search**  
 CPC . A61L 9/03; A61L 9/012; A61L 9/015; A61L  
 9/037  
 See application file for complete search history.

(56) **References Cited**

U.S. PATENT DOCUMENTS

5,733,625 A \* 3/1998 Tsuchiya ..... D04H 1/74  
 428/113  
 D439,749 S \* 4/2001 Anderson ..... D5/46  
 6,236,807 B1 5/2001 Ruffolo et al.  
 D450,934 S \* 11/2001 Duritsch ..... D5/58  
 6,909,840 B2 6/2005 Harwig et al.  
 D507,636 S \* 7/2005 Baraky ..... D23/366  
 D522,119 S 5/2006 Baraky et al.  
 D544,087 S 6/2007 Baraky et al.  
 7,277,626 B2 10/2007 Pesu et al.  
 7,932,482 B2 4/2011 Norwood et al.  
 D657,040 S 4/2012 Young et al.  
 8,197,762 B2 6/2012 Gasper

8,293,172 B2 10/2012 Gasper  
 8,301,019 B2 10/2012 Smith et al.  
 D671,991 S \* 12/2012 Hagglund ..... D19/69  
 8,891,947 B2 11/2014 Neumann et al.  
 8,983,279 B2 3/2015 Adair et al.  
 D751,301 S \* 3/2016 Sullivan ..... D5/46  
 D765,369 S \* 9/2016 Silverman ..... D2/950  
 9,453,652 B2 9/2016 Neumann et al.  
 D884,361 S \* 5/2020 Karatzis ..... D5/47  
 D891,925 S \* 8/2020 Kosnick ..... D9/456  
 2017/0252476 A1 9/2017 Koontz et al.

OTHER PUBLICATIONS

Zelenina, Olga, "Gingham Pattern," Sep. 2017, Kiev, Ukraine.  
 Funk et al., "Electric Fragrance Diffuser," U.S. Appl. No. 29/698,525,  
 filed Jul. 17, 2019.  
 BATH & Body Works, Mirrored Wallflower Topper, assorted colors,  
 at least as early as Jun. 2017.

\* cited by examiner



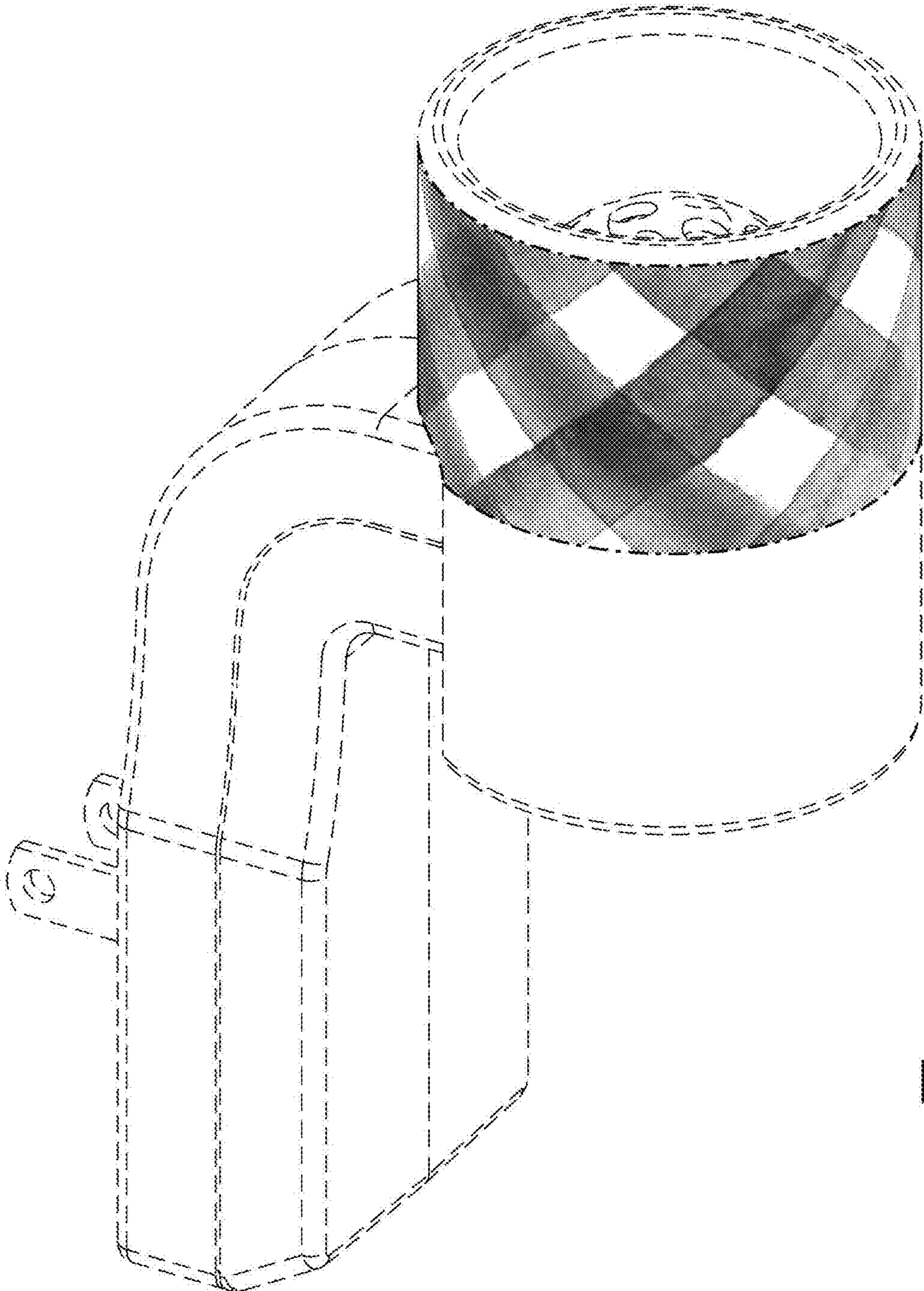


FIG. 1

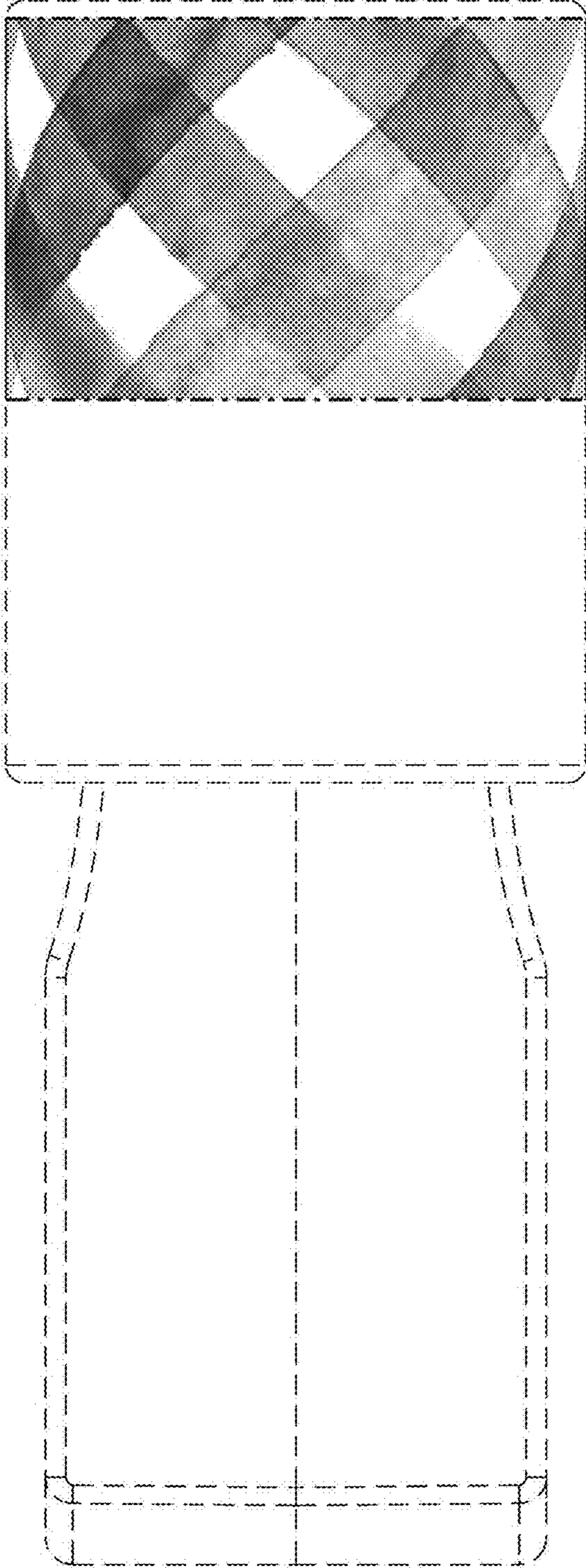


FIG. 2



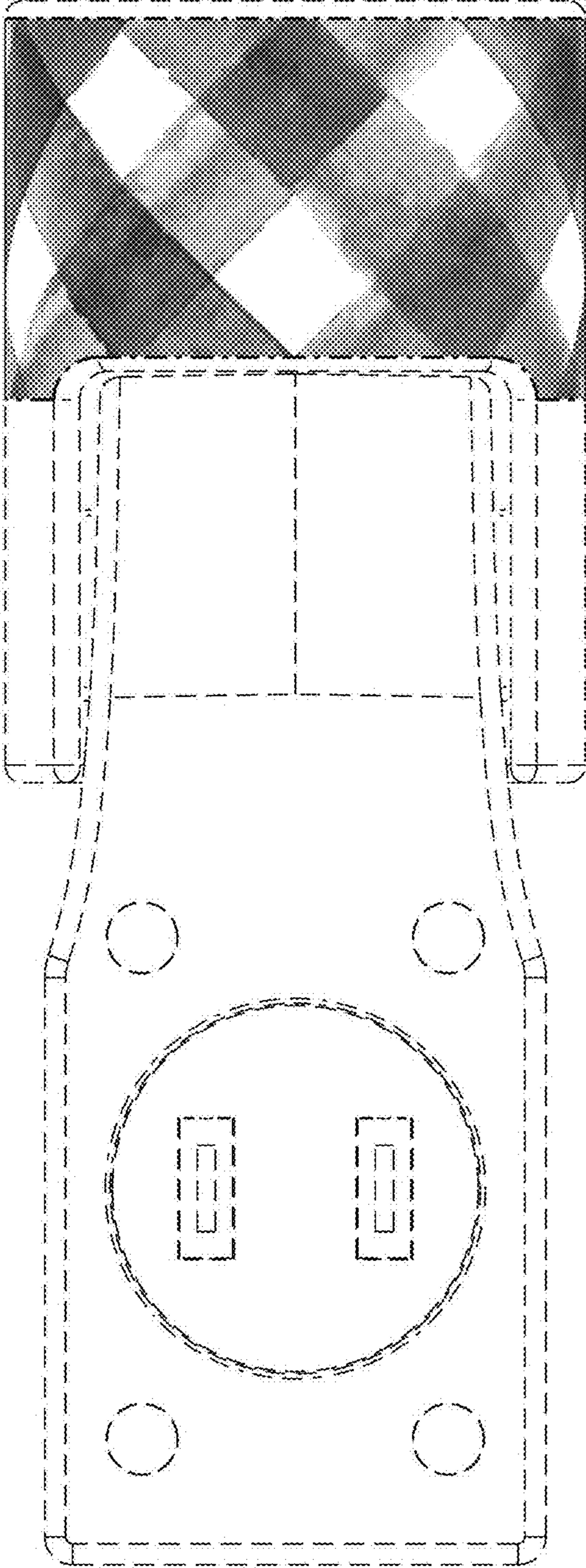


FIG. 3

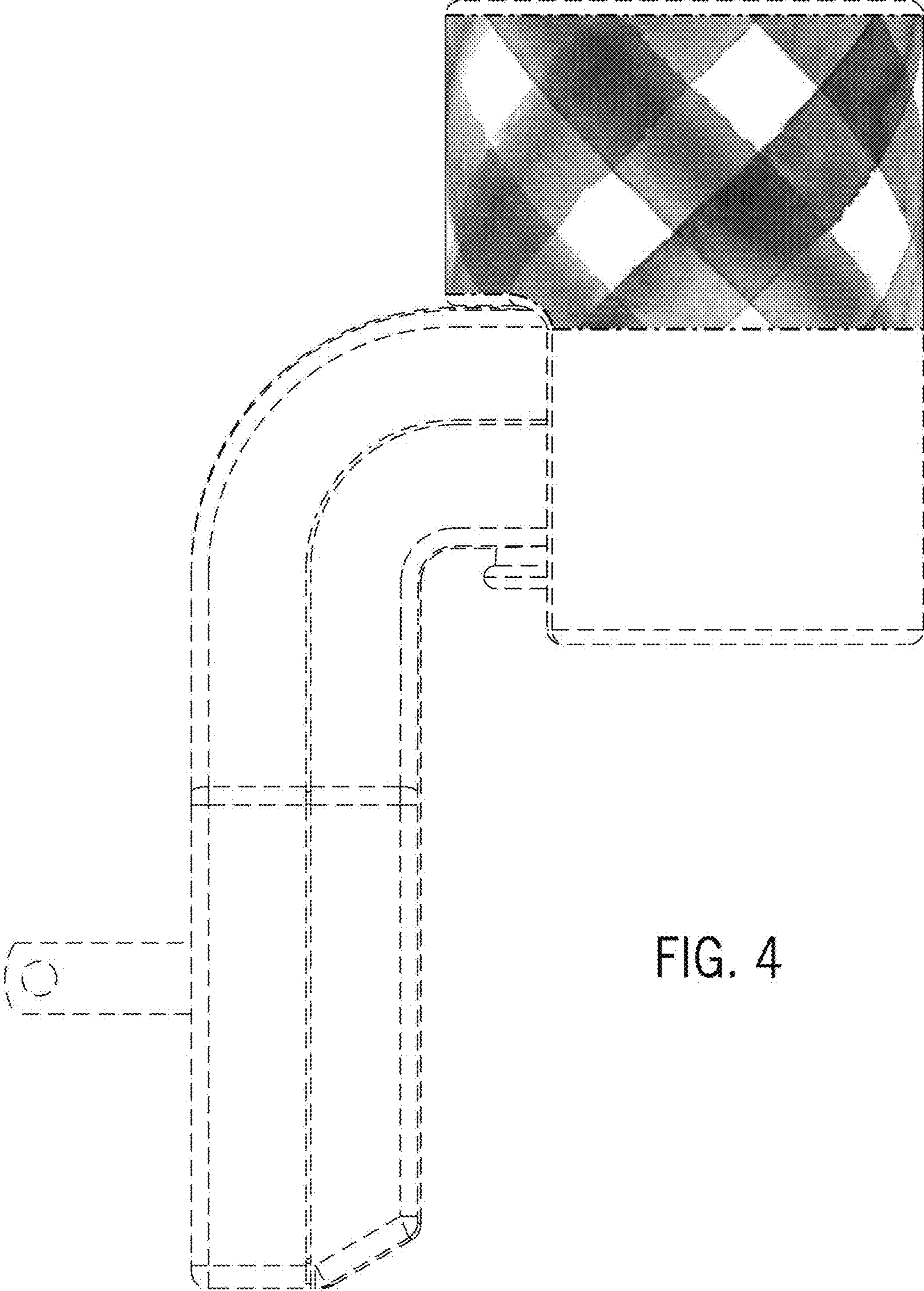


FIG. 4



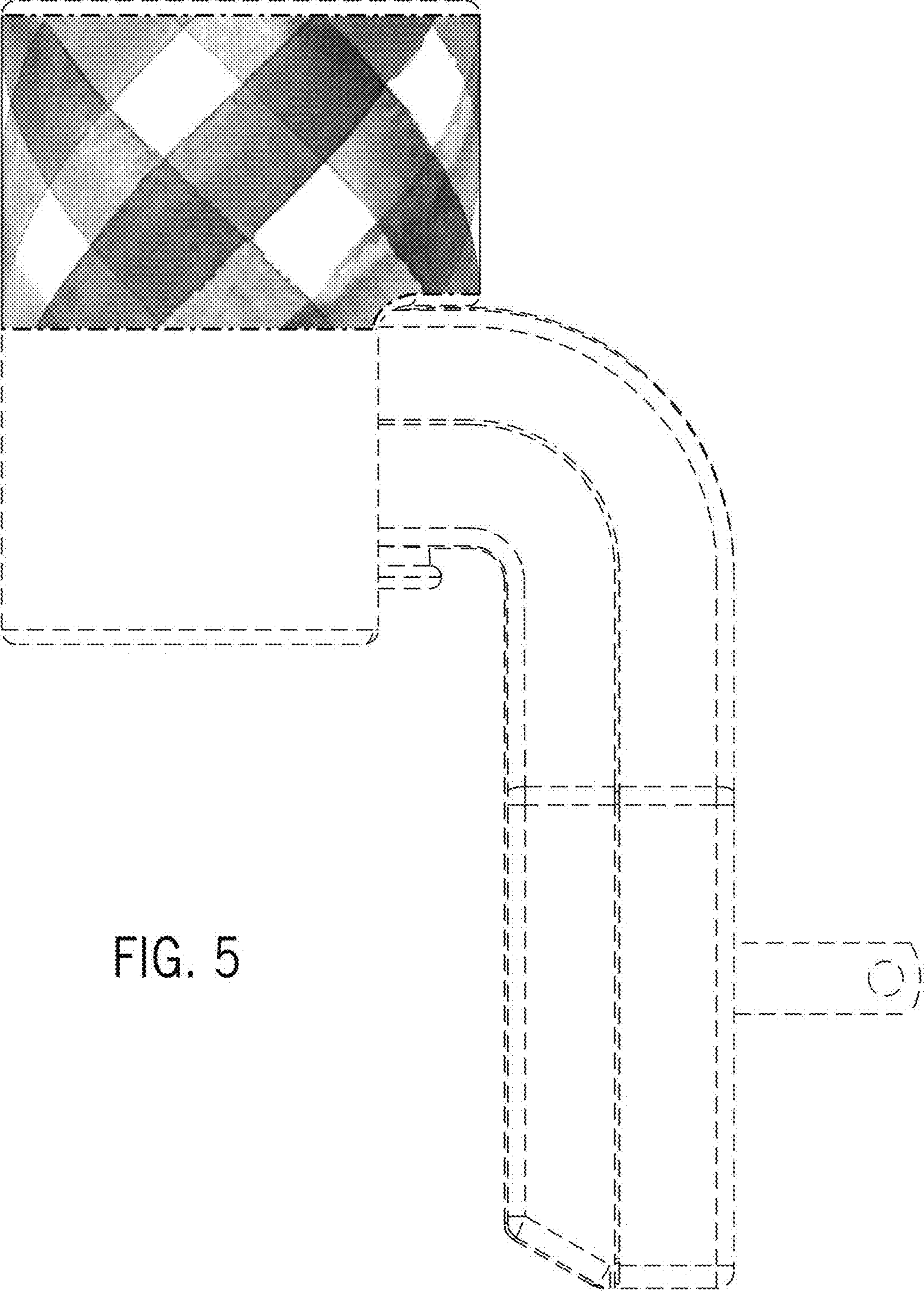


FIG. 5

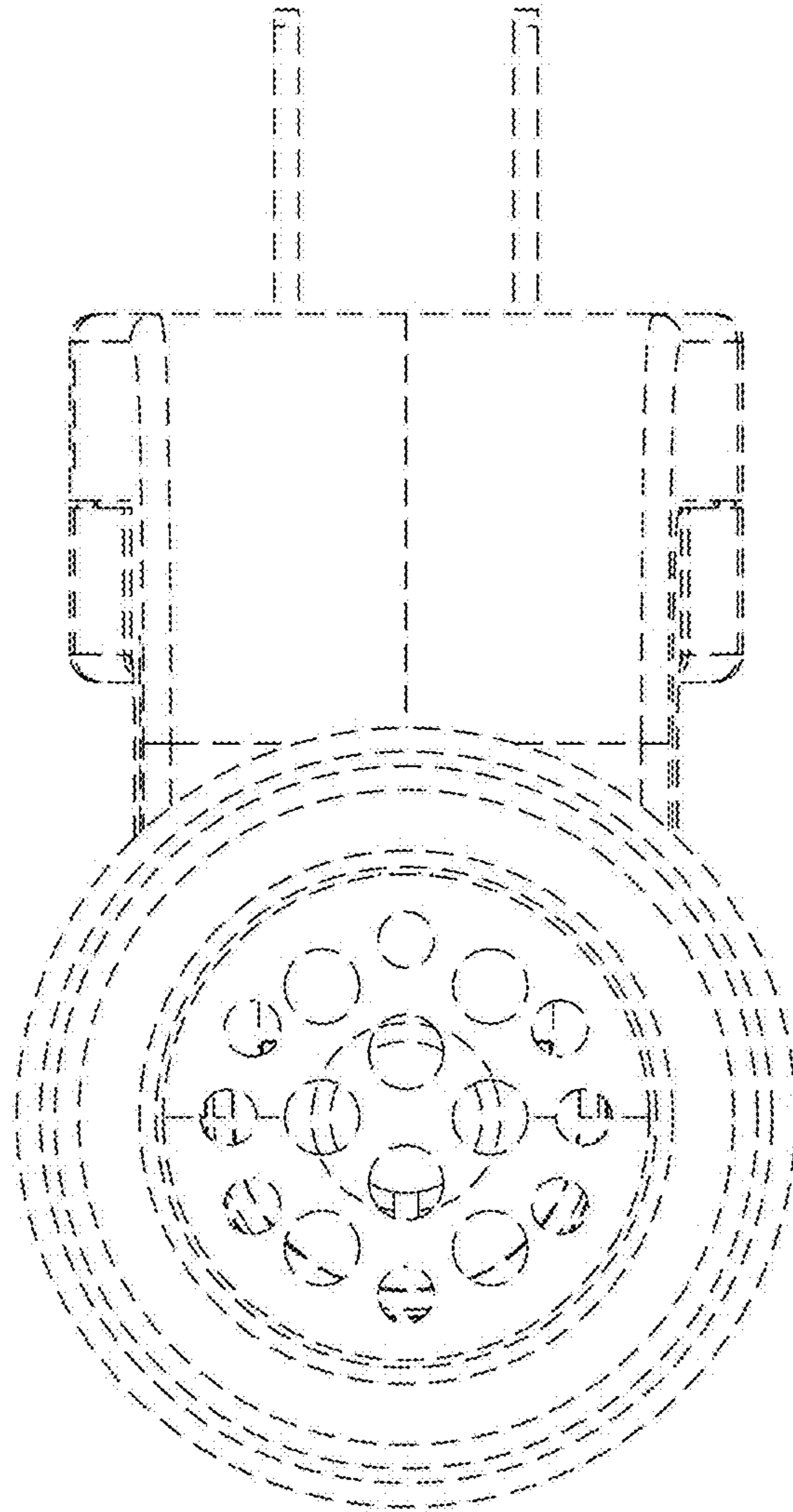


FIG. 6



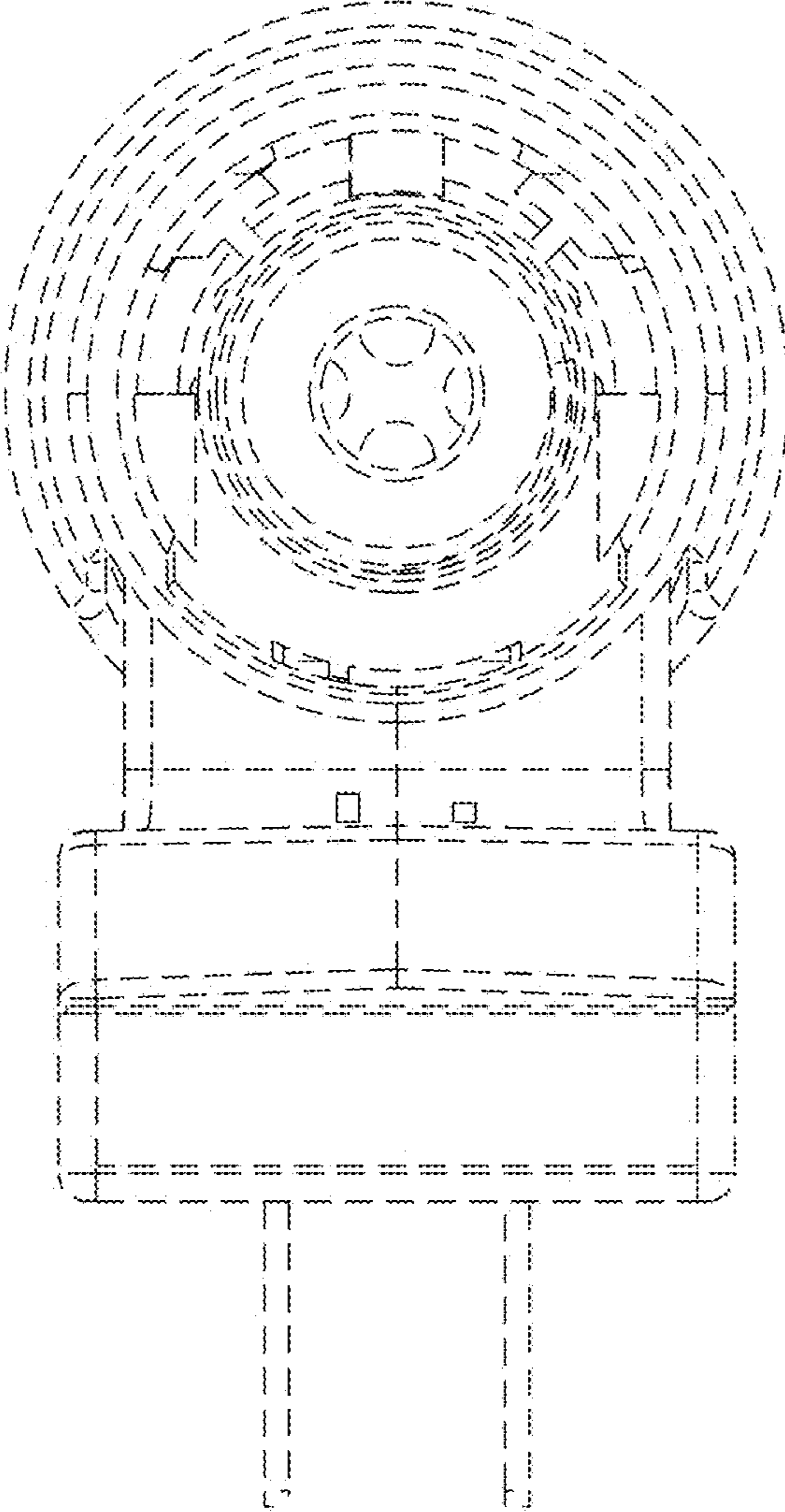


FIG. 7

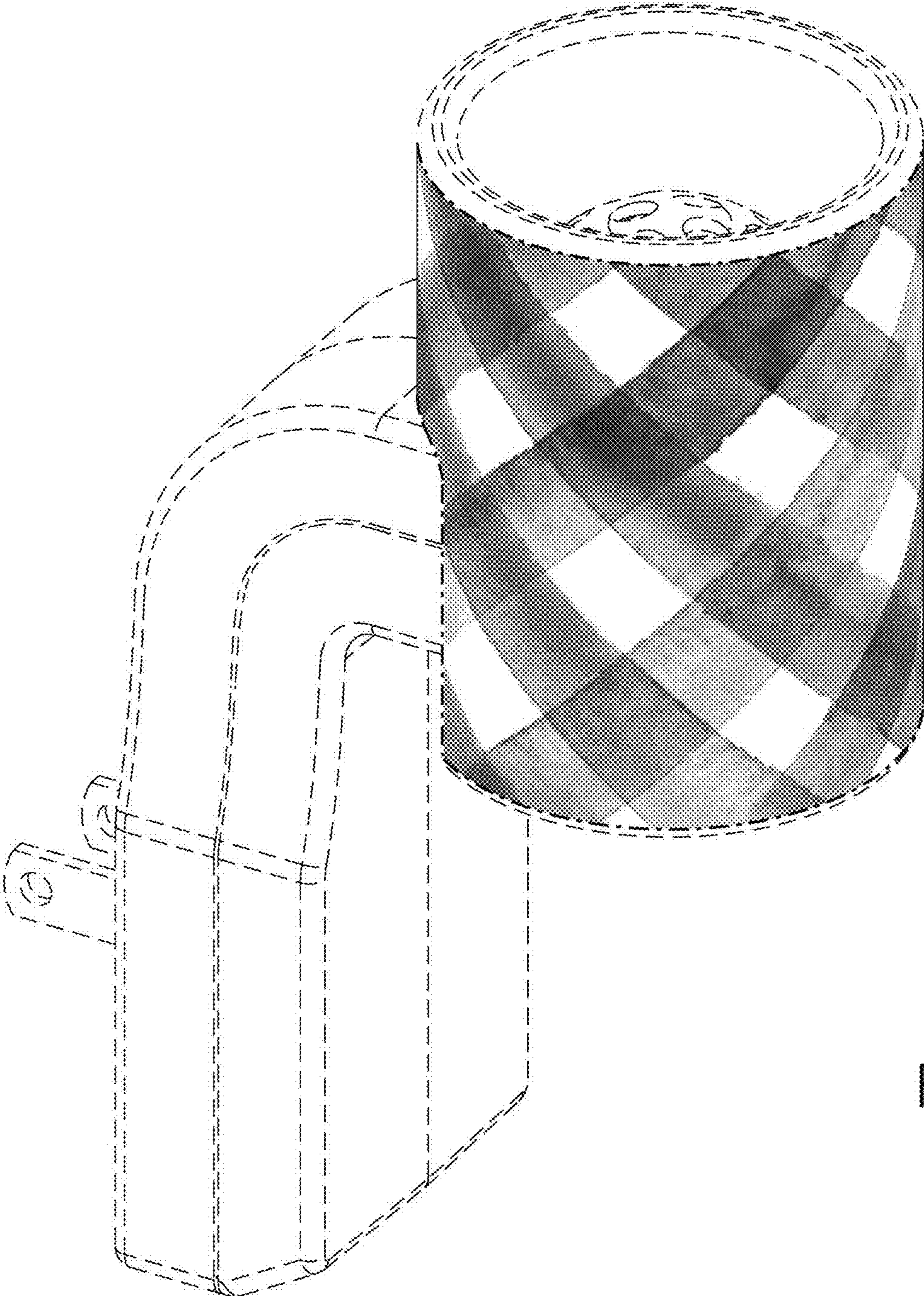


FIG. 8



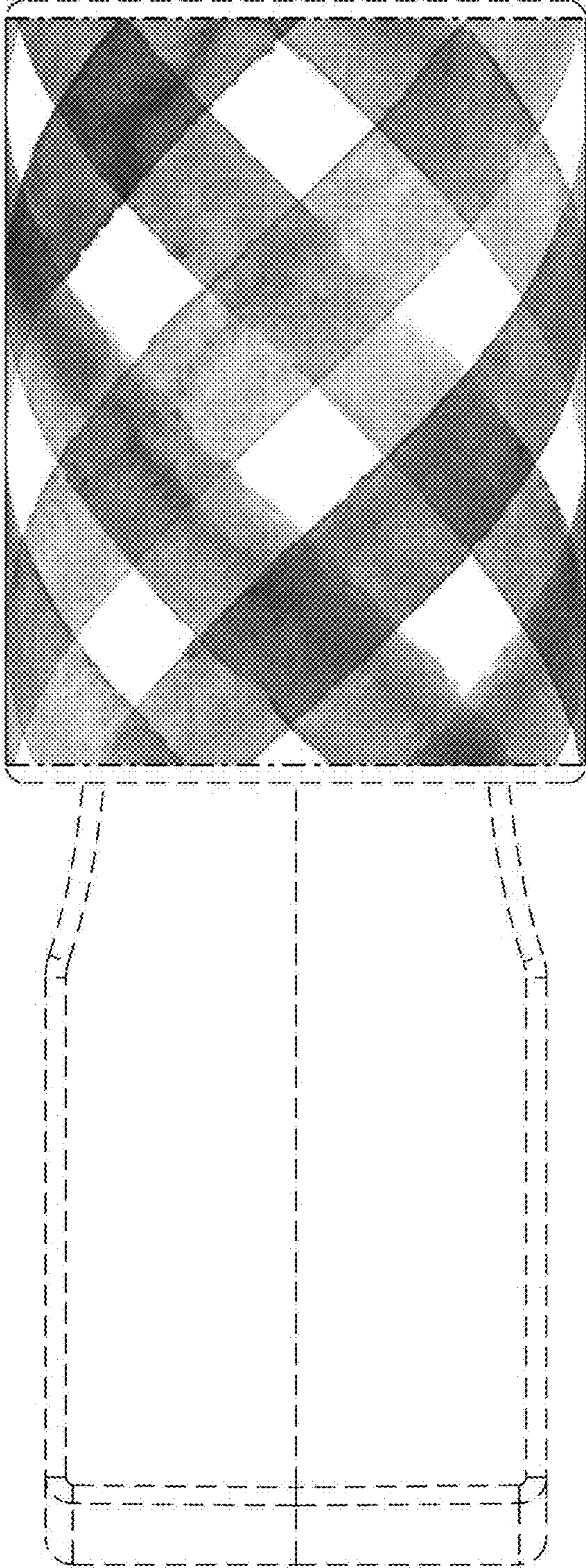


FIG. 9



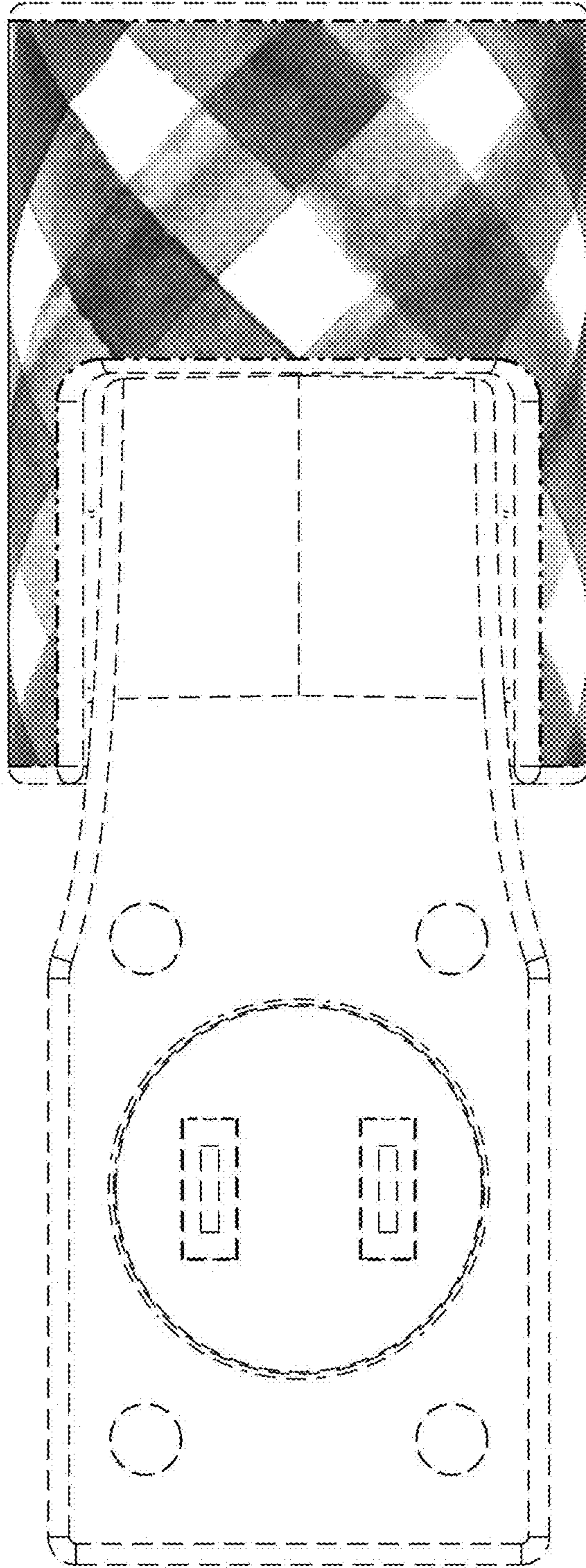


FIG. 10

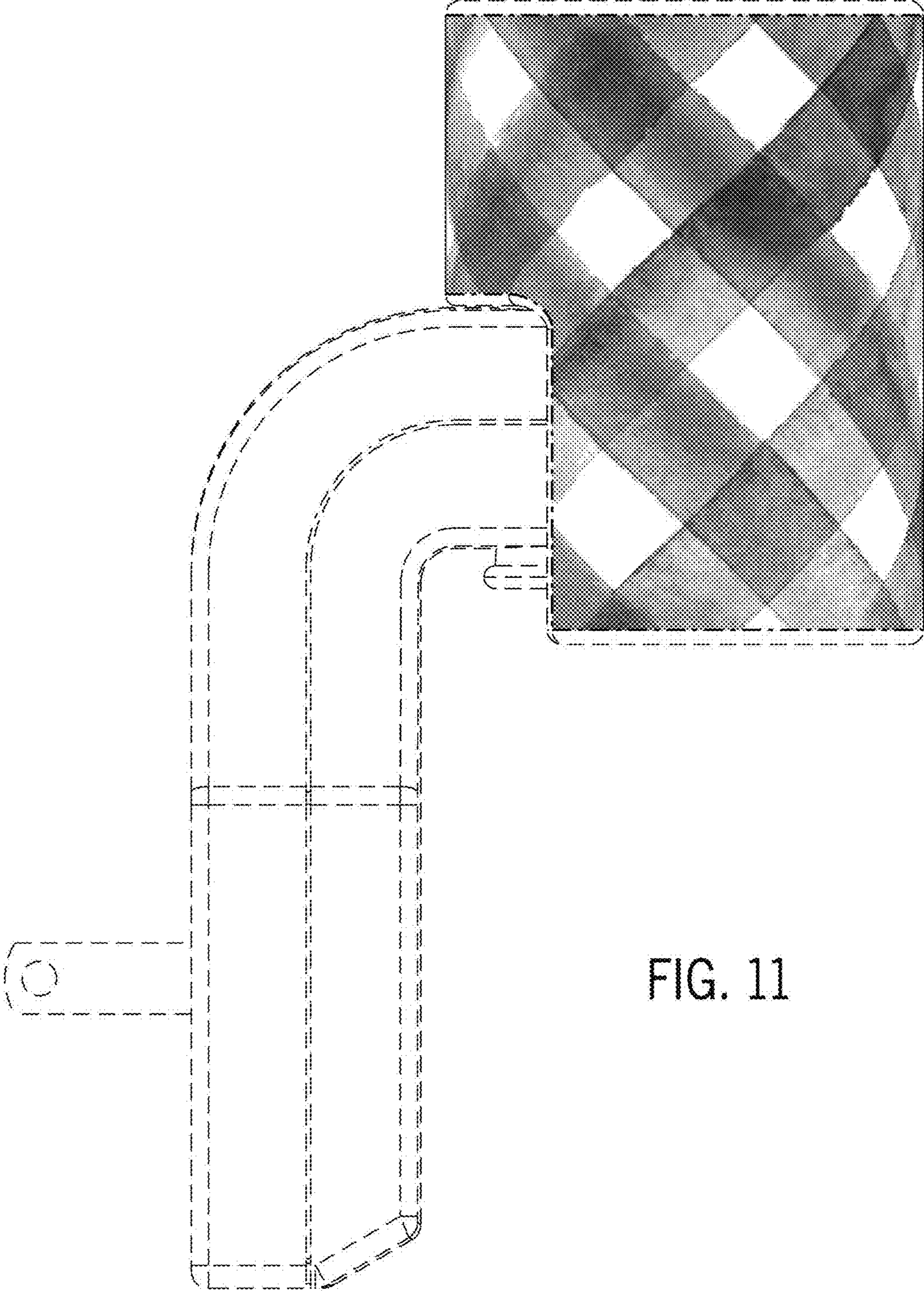


FIG. 11



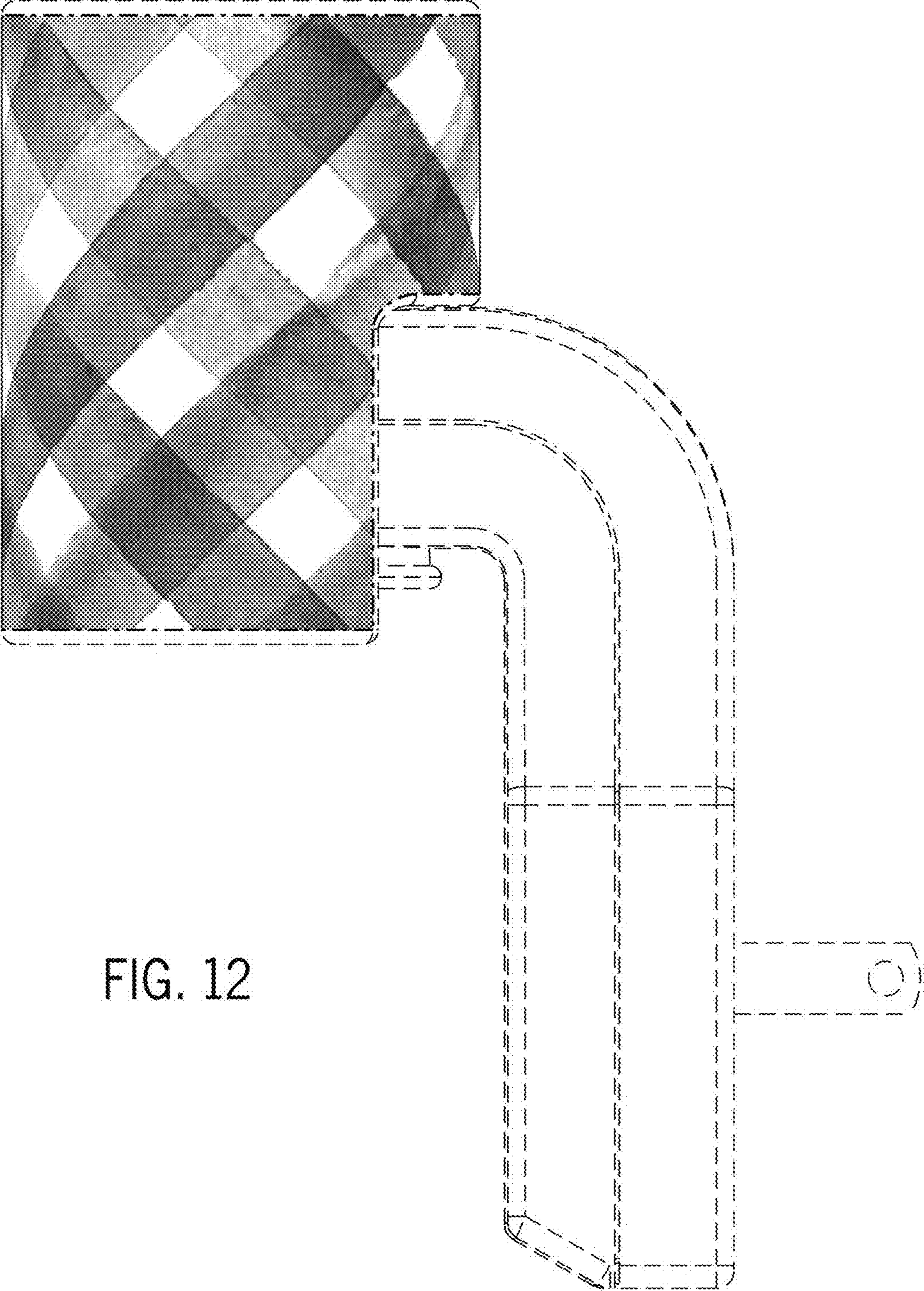


FIG. 12



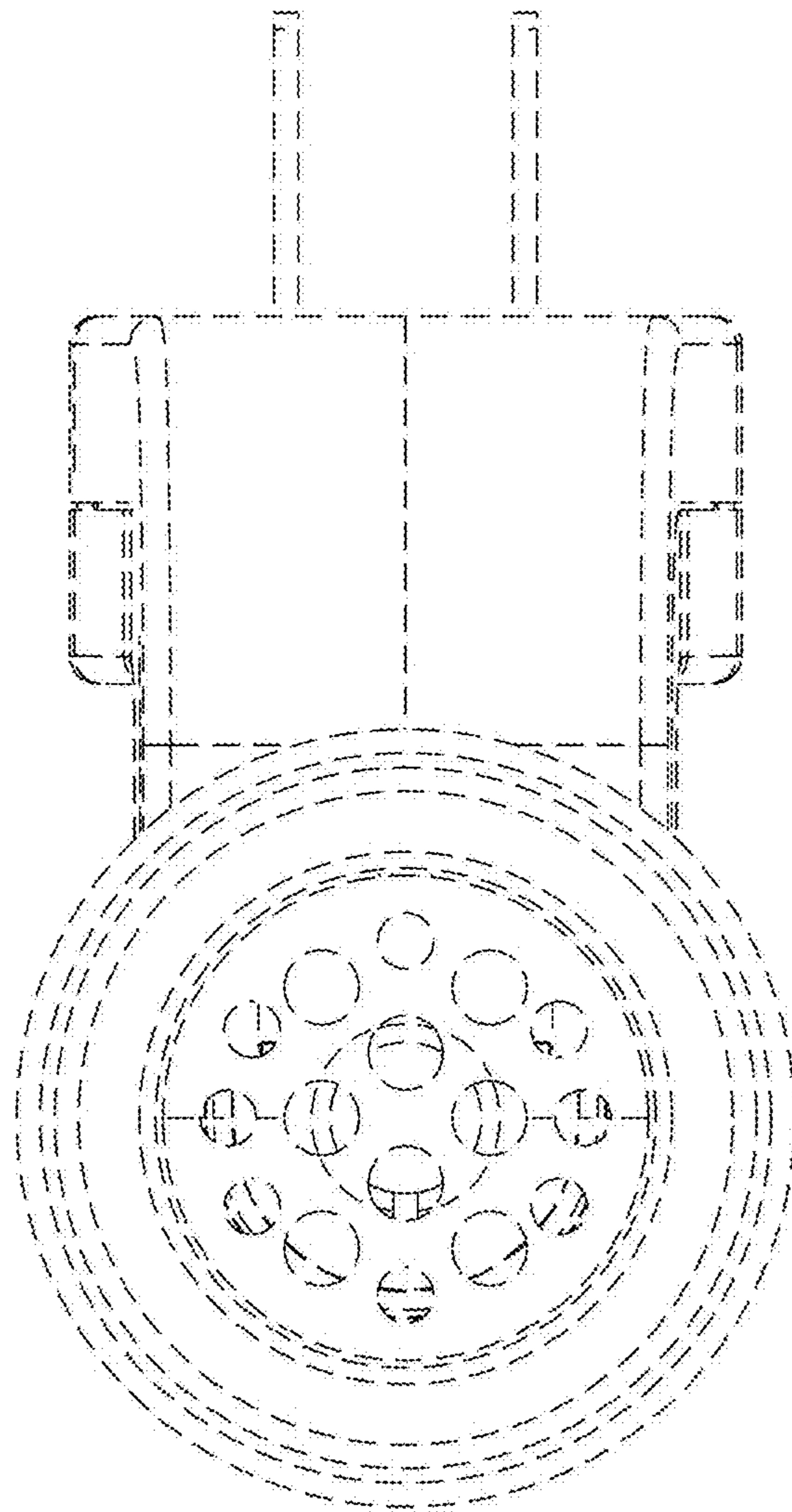


FIG. 13

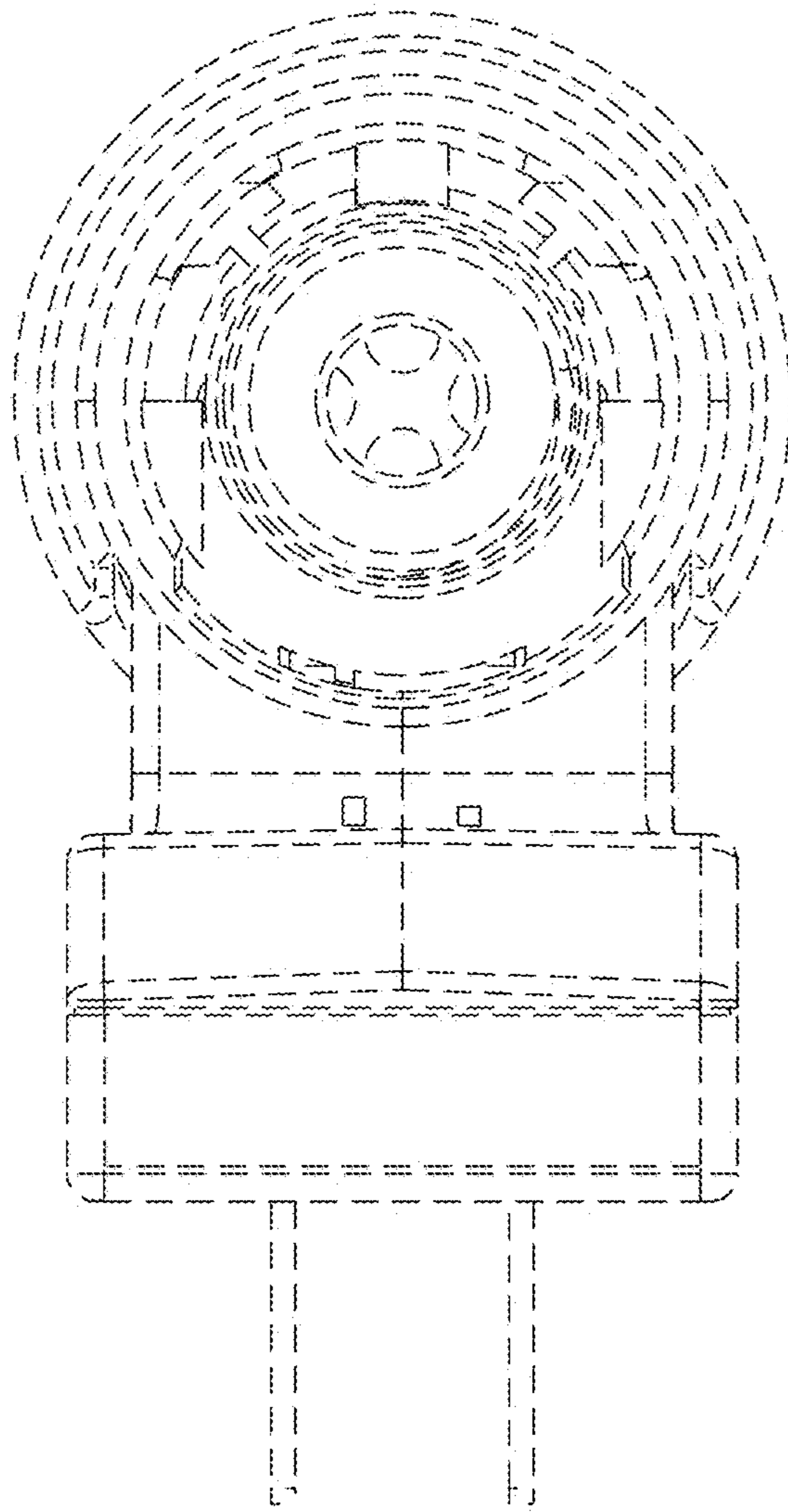


FIG. 14