



US00D951419S

(12) **United States Design Patent**
Ha et al.

(10) **Patent No.:** **US D951,419 S**

(45) **Date of Patent:** **** May 10, 2022**

(54) **AIR PURIFIER**

(71) Applicant: **LG ELECTRONICS INC.**, Seoul (KR)

(72) Inventors: **Jiug Ha**, Seoul (KR); **Seungho Baek**, Seoul (KR); **Kangeui Cho**, Seoul (KR); **Sungkyong Han**, Seoul (KR); **Sehwan Bae**, Seoul (KR); **Myungwhoon Lee**, Seoul (KR)

(73) Assignee: **LG ELECTRONICS INC.**, Seoul (KR)

(**) Term: **15 Years**

(21) Appl. No.: **29/772,492**

(22) Filed: **Mar. 2, 2021**

(30) **Foreign Application Priority Data**

Sep. 3, 2020 (KR) 30-2020-0041767

(51) **LOC (13) Cl.** **23-01**

(52) **U.S. Cl.**
USPC **D23/364**

(58) **Field of Classification Search**
USPC .. D7/536, 538, 553.8, 554.2, 602-604, 612;
D9/428, 545, 738, 763-764, 767;
(Continued)

(56) **References Cited**

U.S. PATENT DOCUMENTS

D818,095 S * 5/2018 Cho D23/364
D818,097 S * 5/2018 Cho D23/364
(Continued)

FOREIGN PATENT DOCUMENTS

CN 305631922 * 10/2019
CN 306649802 * 2/2021

OTHER PUBLICATIONS

Levoit Air Purifier Aug. 26, 2019 found on Jan. 21, 2022 at <https://www.amazon.com/LEVOIT-Purifier-Home-Allergies-Pets/dp/B07VVK39F7/?th=1> (Year: 2019).*

(Continued)

Primary Examiner — Karen S Acker

Assistant Examiner — Jonathan E Fiencke

(74) *Attorney, Agent, or Firm* — Birch, Stewart, Kolasch & Birch, LLP

(57) **CLAIM**

We claim the ornamental design for an air purifier, as shown and described.

DESCRIPTION

FIG. 1 is a perspective view of an air purifier, showing the new design:

FIG. 2 is a front elevation view thereof;

FIG. 3 is a rear elevation view thereof;

FIG. 4 is a left-side elevation view thereof;

FIG. 5 is a right-side elevation view thereof

FIG. 6 is a top plan view thereof;

FIG. 7 is a bottom plan view thereof;

FIG. 8 is a front perspective view of an air purifier thereof showing the air outlet in a standing state;

FIG. 9 is a rear perspective view thereof;

FIG. 10 is a front elevation view thereof;

FIG. 11 is a rear elevation view thereof;

FIG. 12 is a left-side elevation view thereof;

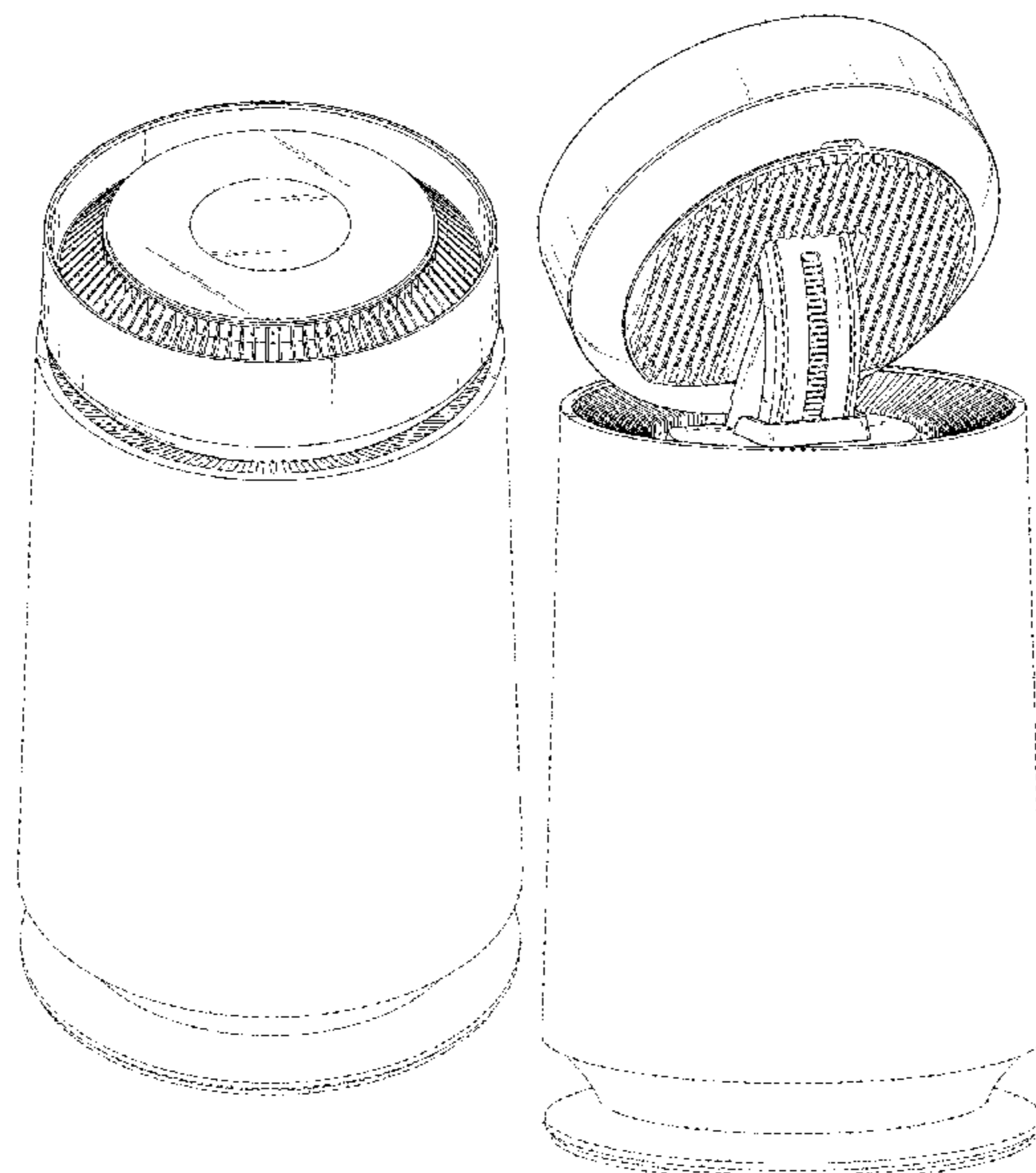
FIG. 13 is a right-side elevation view thereof;

FIG. 14 is a top plan view thereof; and,

FIG. 15 is a bottom plan view thereof.

The evenly spaced broken lines and unshaded areas depict portions of the air purifier that form no part of the claimed design.

1 Claim, 15 Drawing Sheets



US D951,419 S

Page 2

(58) **Field of Classification Search**

USPC D23/332-335, 337, 342, 352, 355-366,
D23/369-370

CPC .. A61L 9/00; A61L 9/22; B01D 47/00; B01D
47/027; B01D 2259/4508; B03C 3/155;
B03C 3/368; F24F 3/16; F24F 13/20;
F24F 13/28

See application file for complete search history.

(56) **References Cited**

U.S. PATENT DOCUMENTS

D818,098 S * 5/2018 Cho D23/364
D818,099 S * 5/2018 Cho A47L 7/04
D829,314 S * 9/2018 Cho D23/364
D831,810 S * 10/2018 Cho D23/364
D831,811 S * 10/2018 Cho D23/364
D835,766 S * 12/2018 Chen D23/364

D838,355 S * 1/2019 Cho D23/390
D882,056 S * 4/2020 Baillie D23/364
D884,138 S * 5/2020 Chen B01D 47/18
D886,975 S * 6/2020 Yang D23/366
D888,923 S * 6/2020 Zhong D23/364
D906,501 S * 12/2020 Lim D23/364
D925,716 S * 7/2021 Qin D23/356
D934,403 S * 10/2021 Lei D23/356
D938,566 S * 12/2021 Yang D23/364
2018/0147523 A1* 5/2018 Oh B01D 47/18
2018/0256770 A1* 9/2018 Jang A61L 9/18
2020/0298162 A1* 9/2020 Jeon A47L 7/04

OTHER PUBLICATIONS

Okaysou Air Purifier Oct. 8, 2021 found on Jan. 21, 2022 at
<https://www.amazon.com/dp/B09CDH8HXF/I> (Year: 2021).*

* cited by examiner

Fig. 1

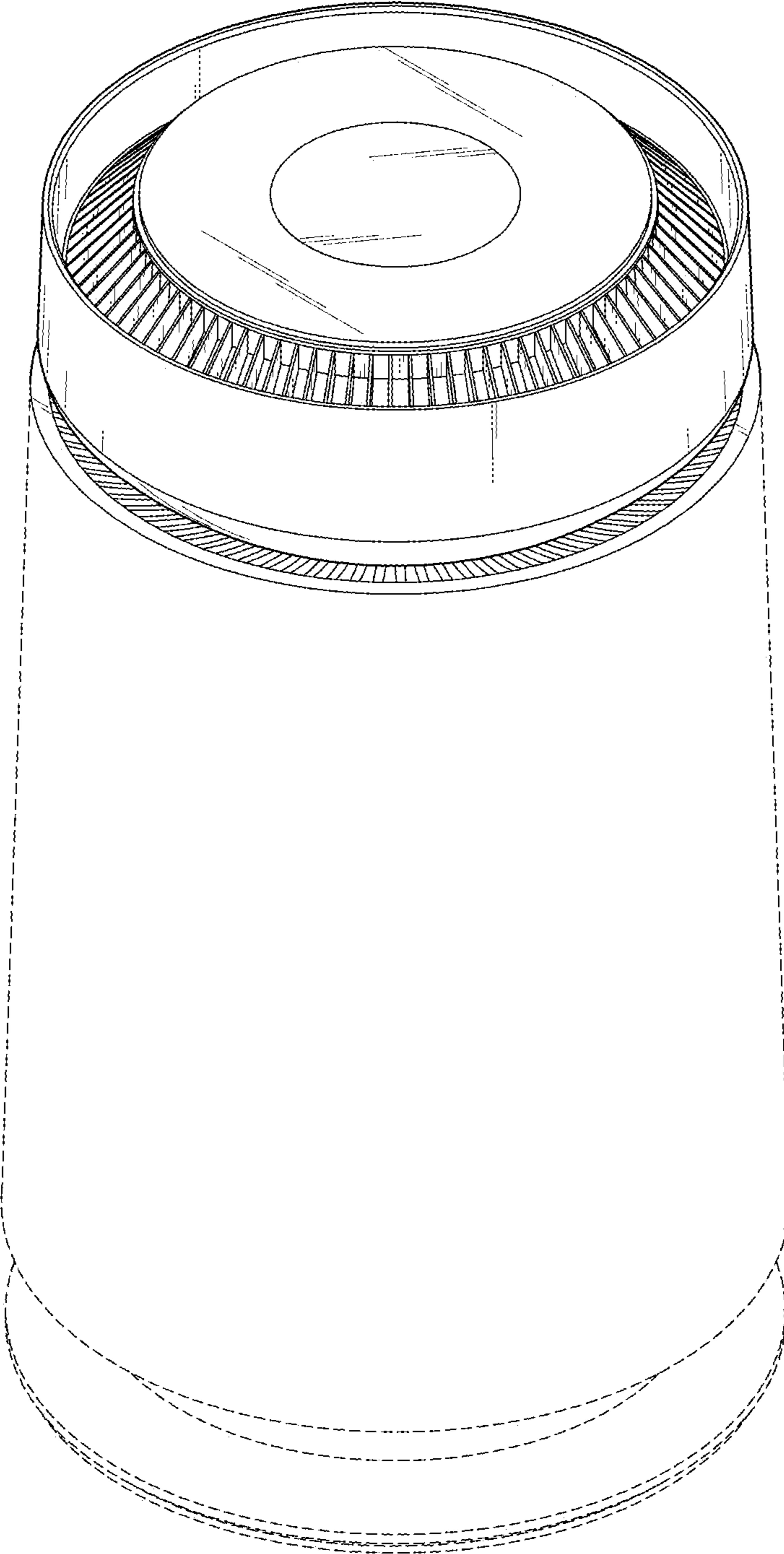


Fig. 2

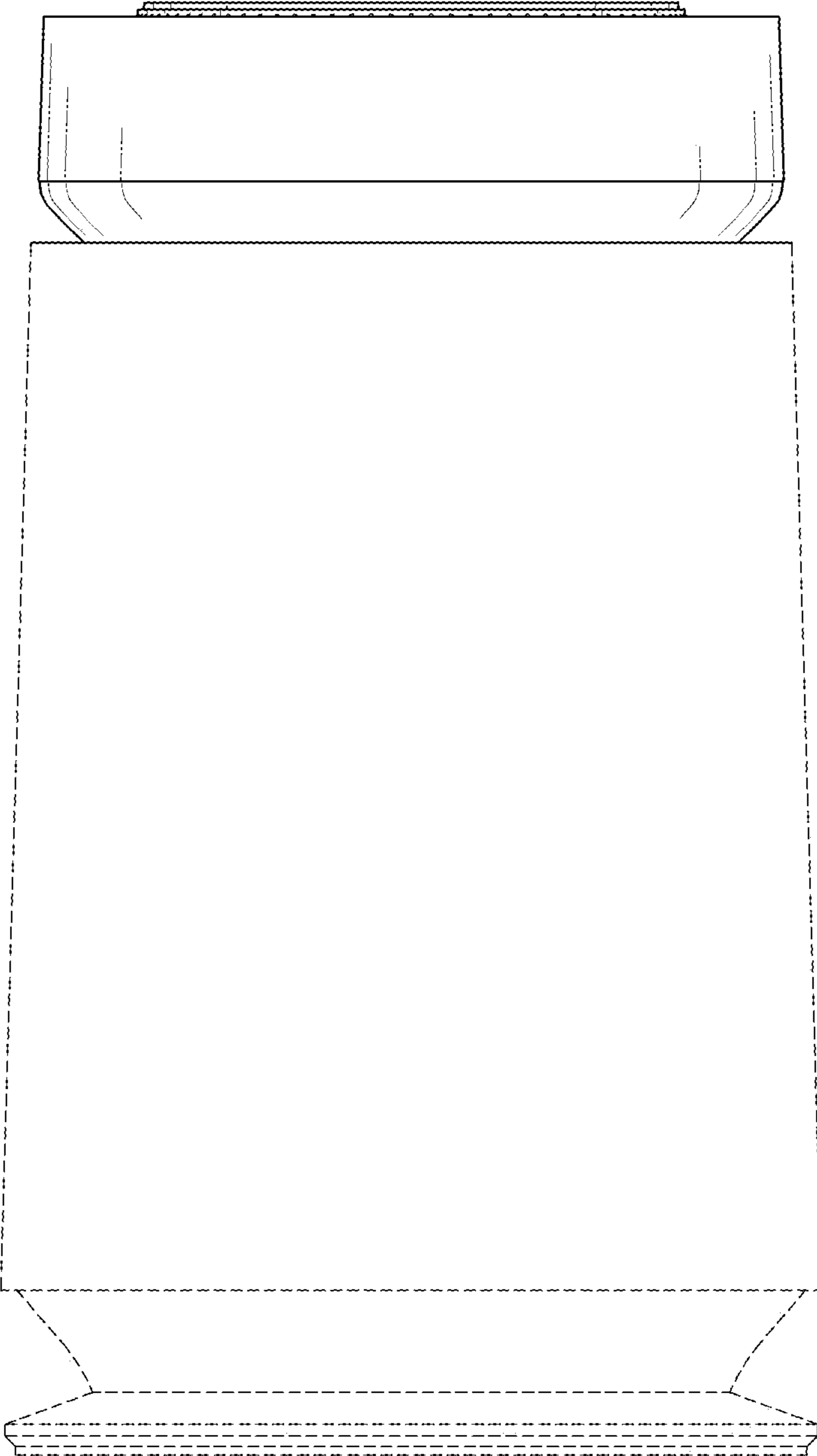


Fig. 3

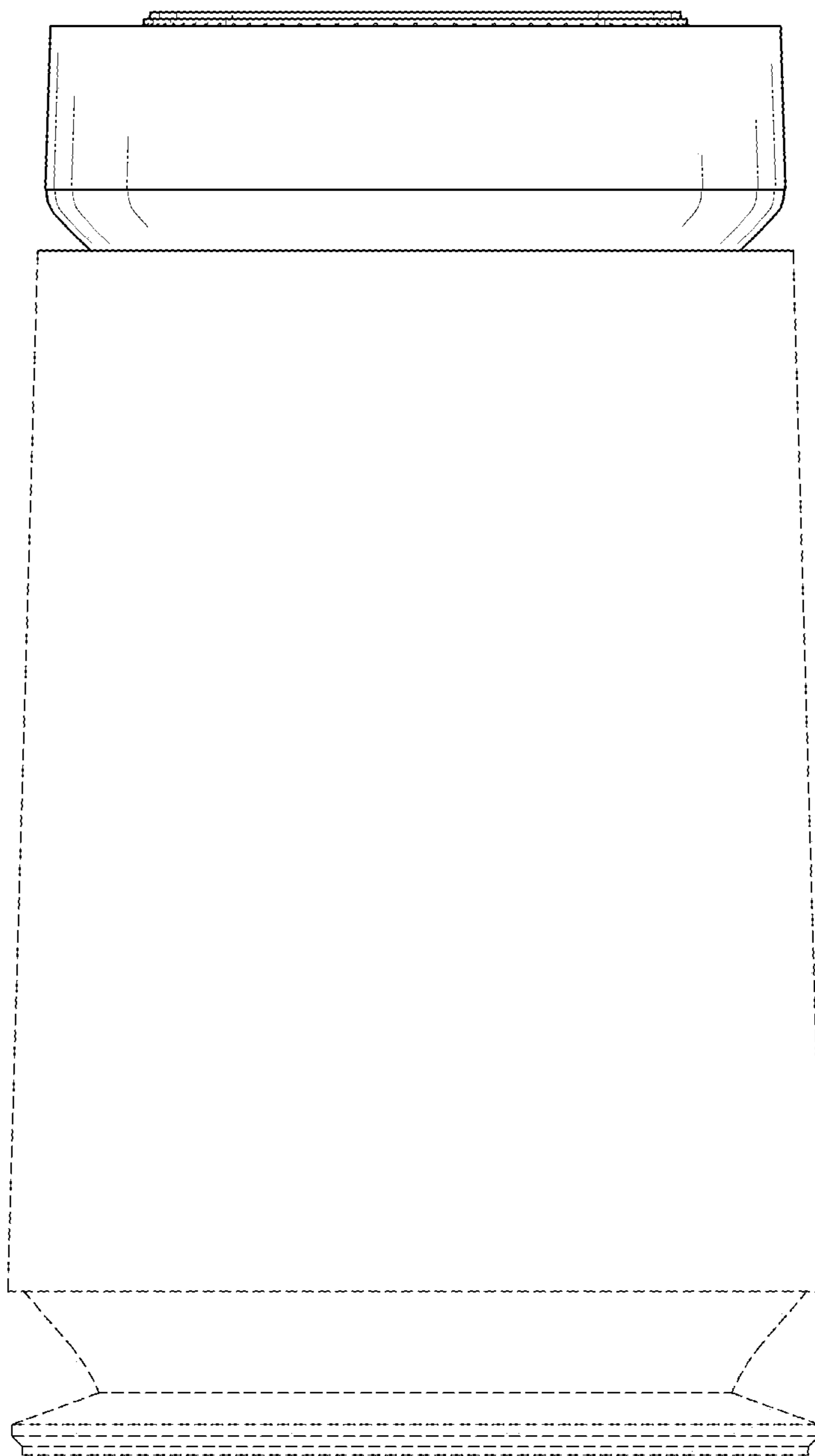


Fig. 4

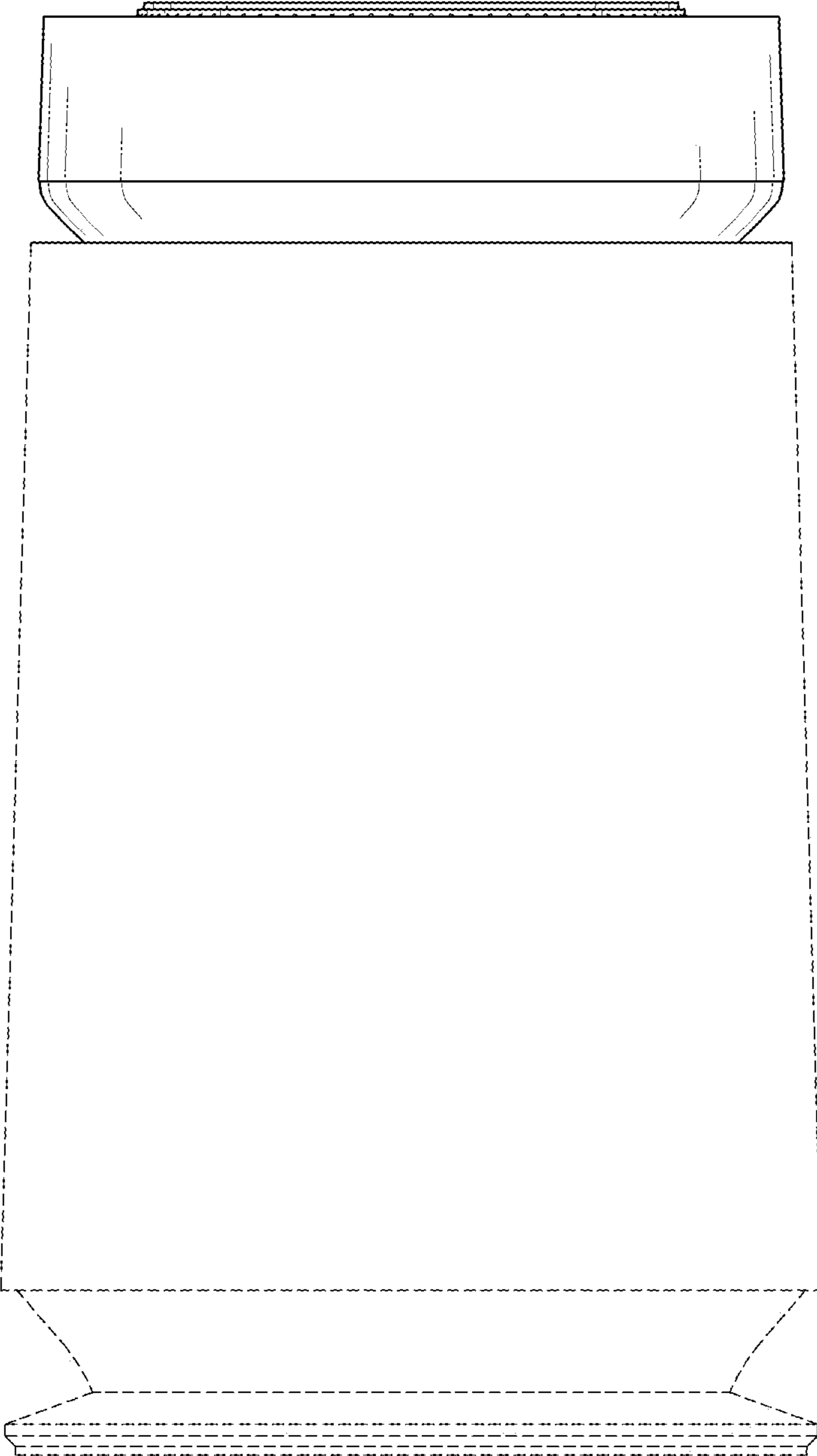


Fig. 5

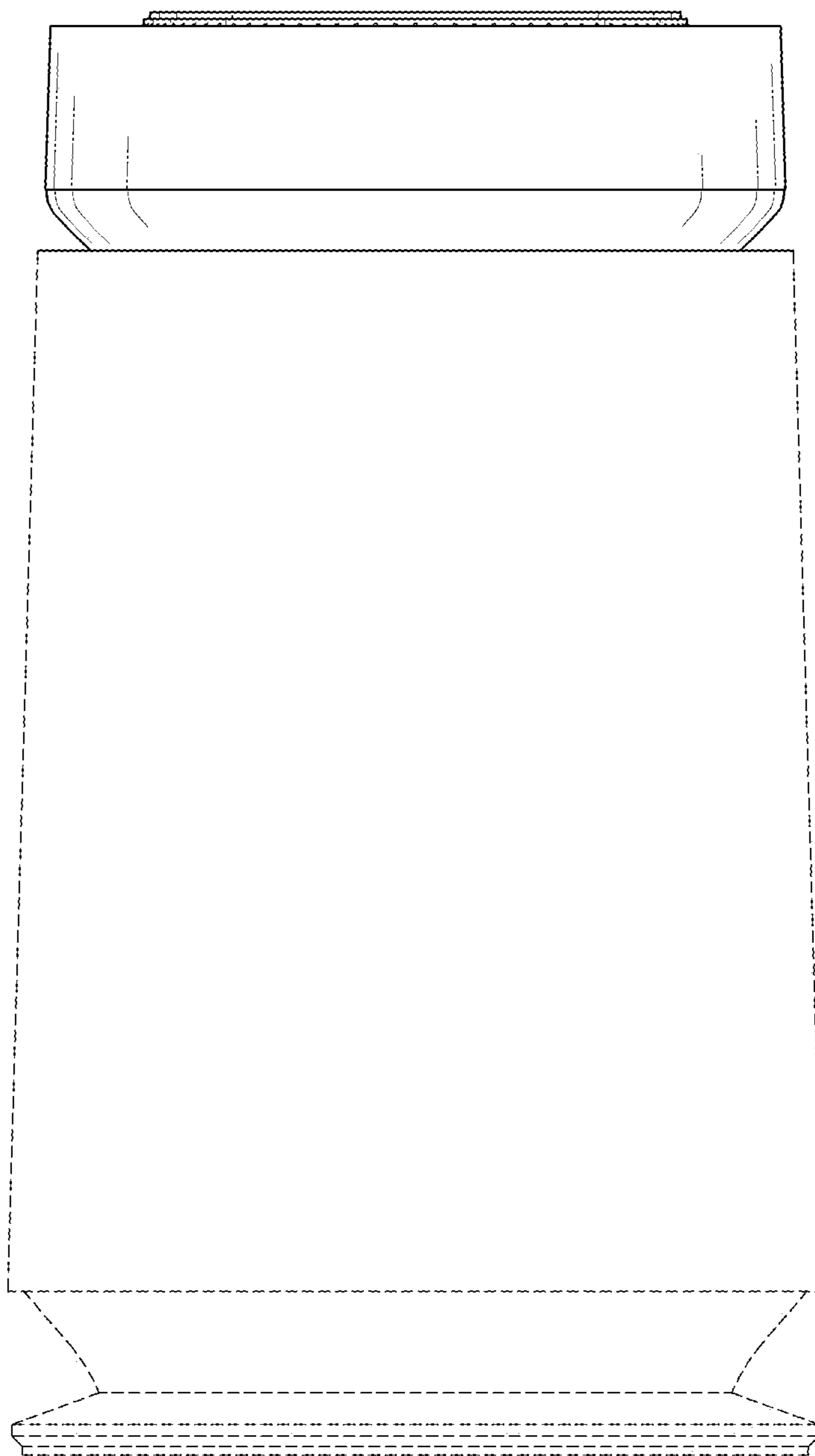


Fig. 6

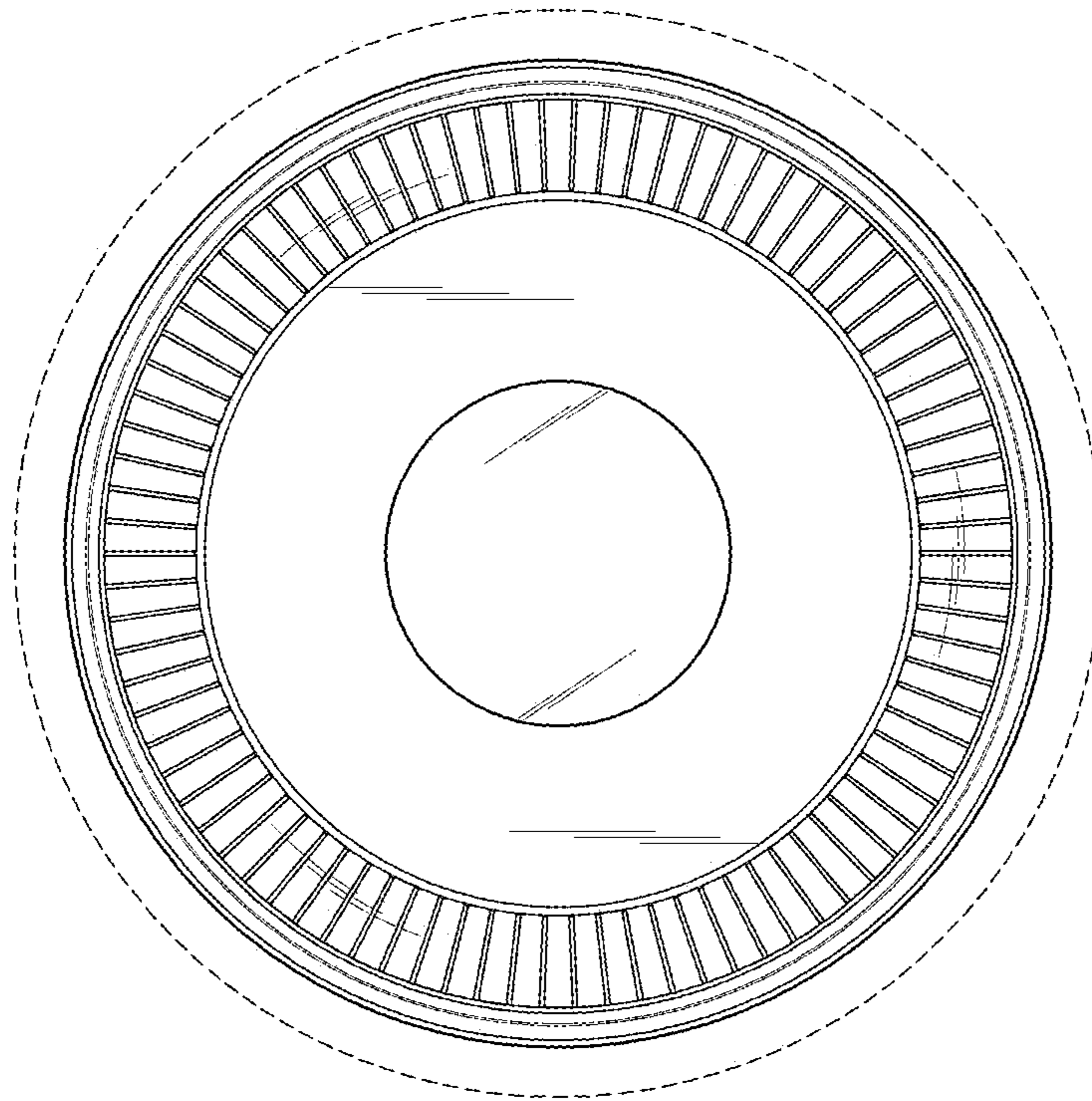


Fig. 7

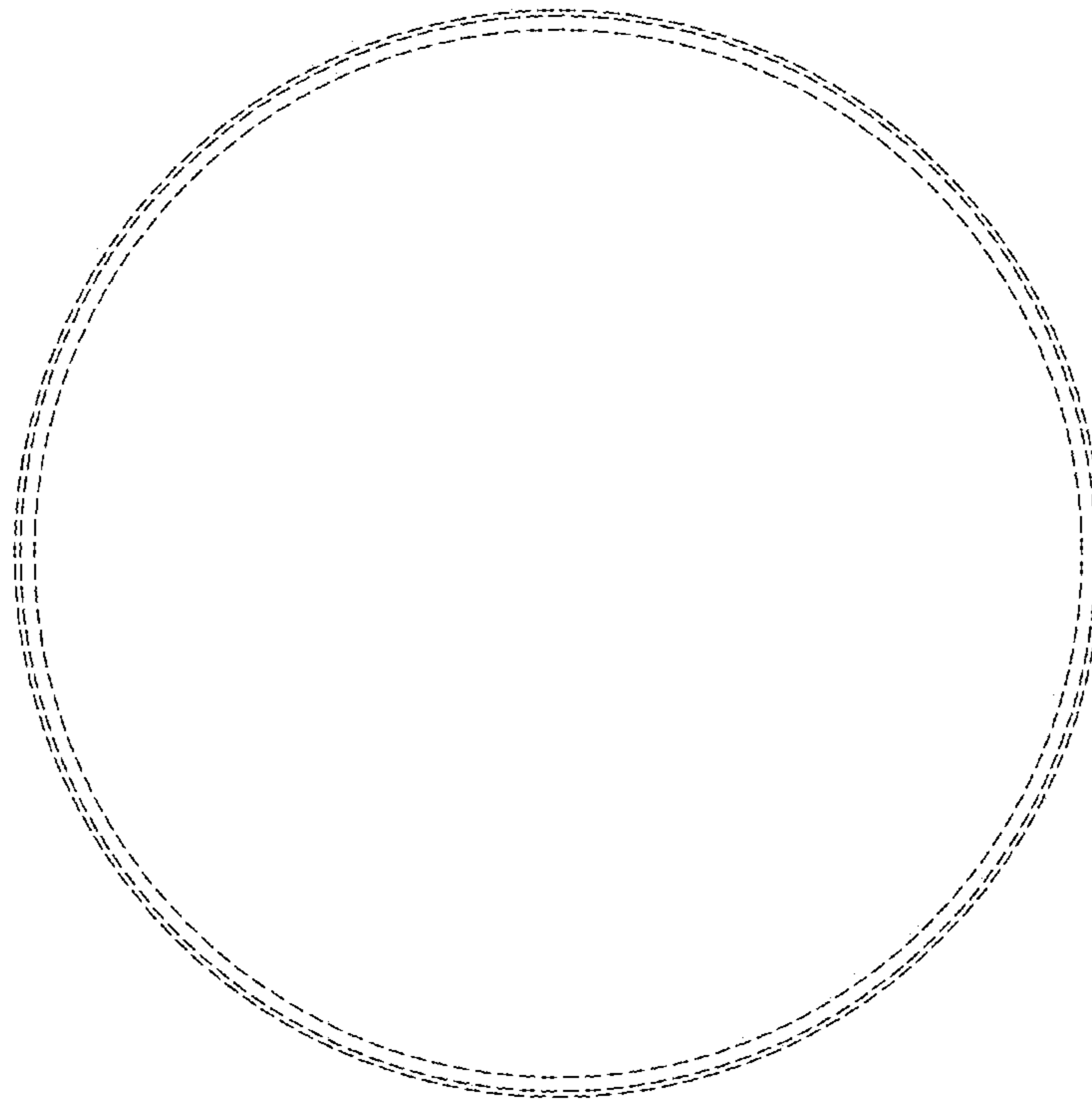


Fig. 8

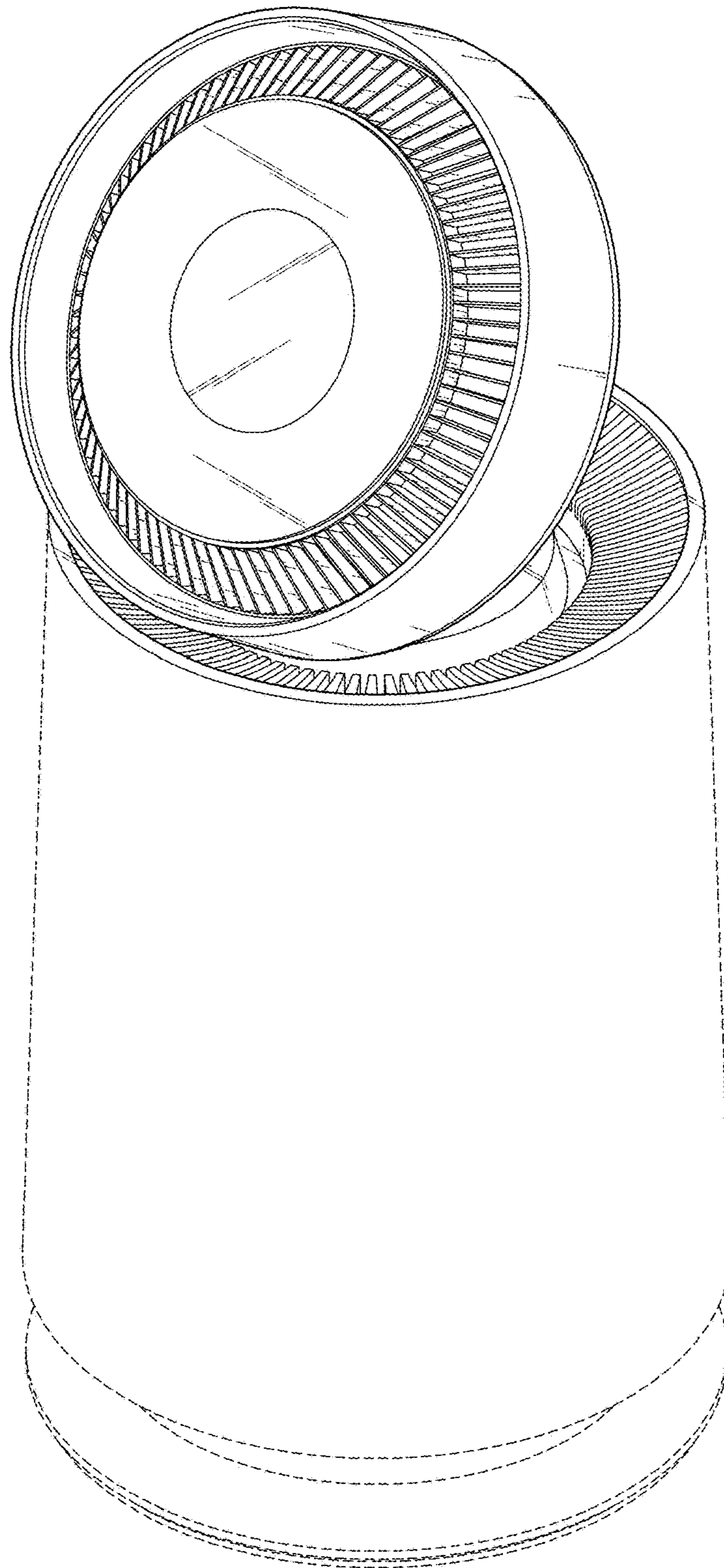


Fig. 9

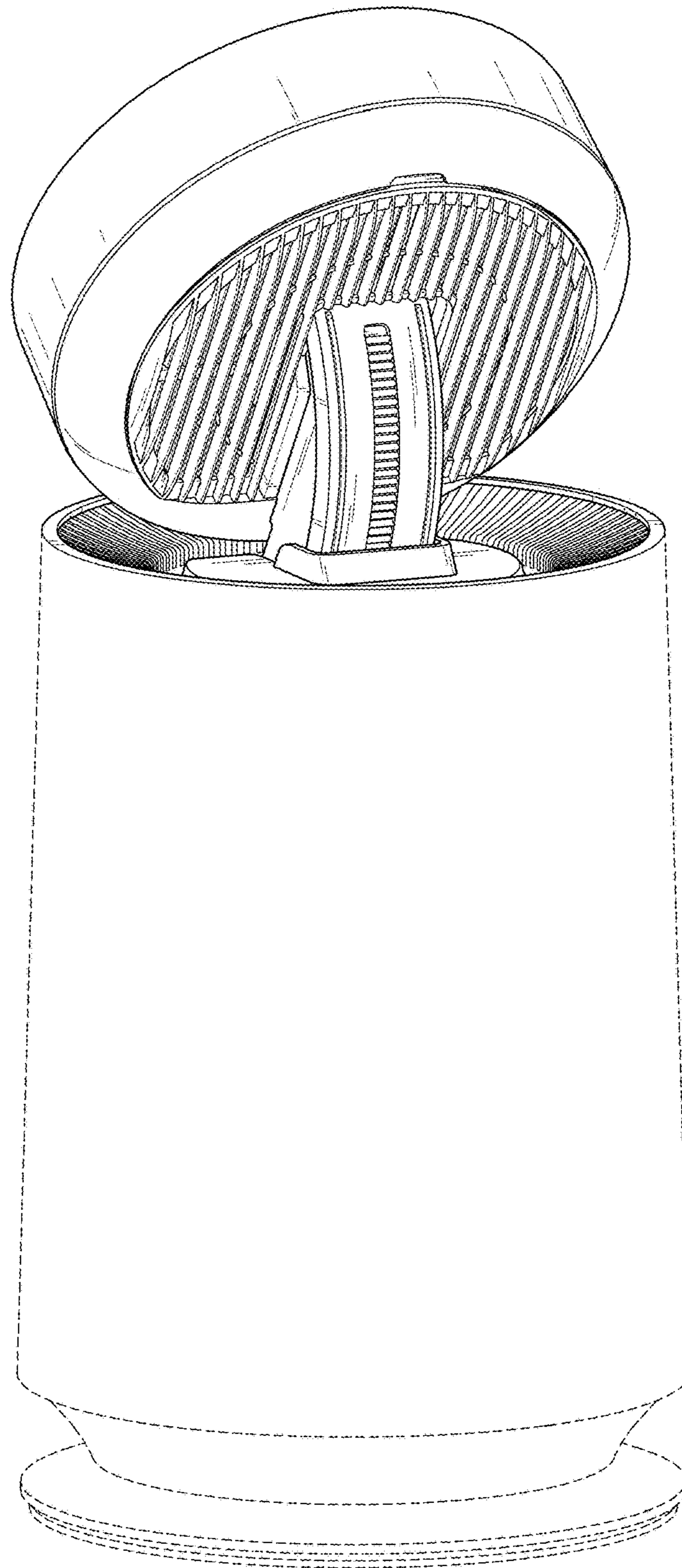


Fig. 10

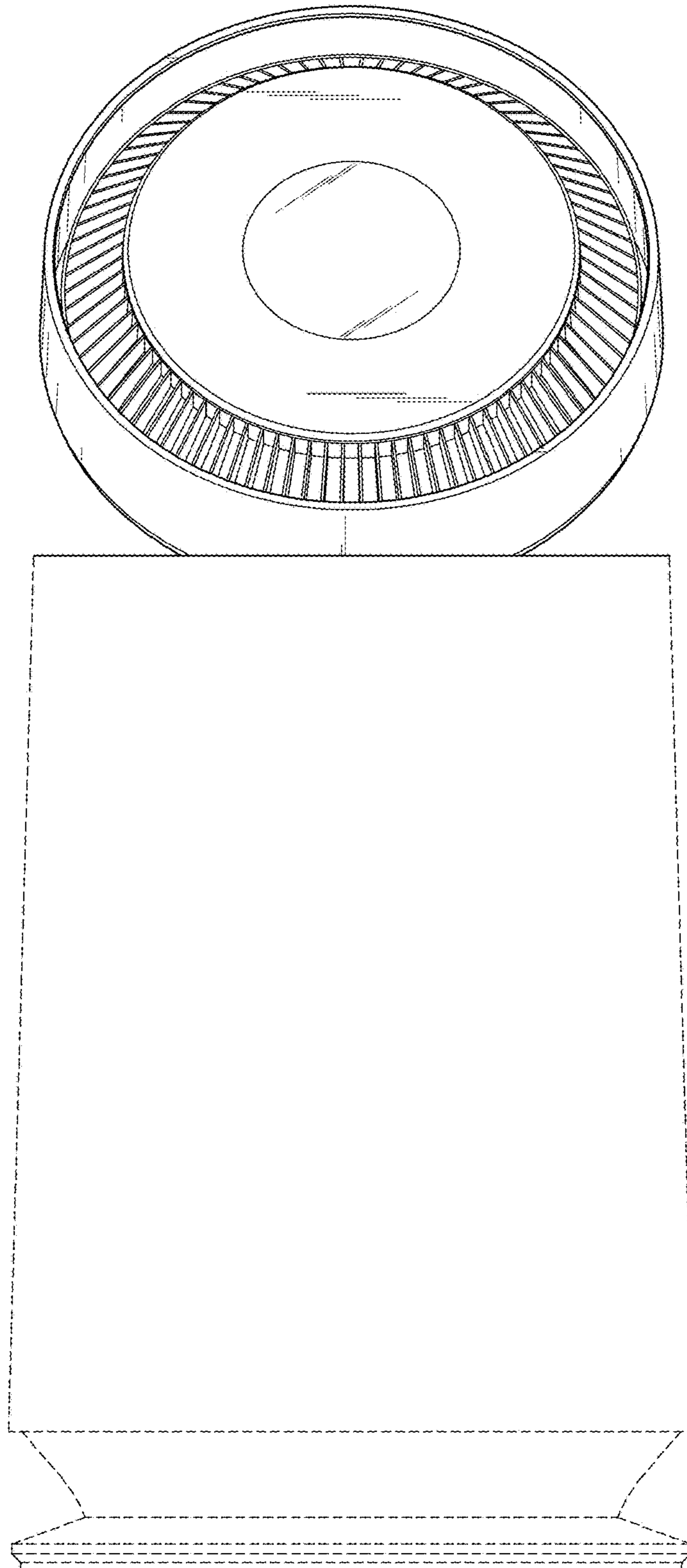


Fig. 11

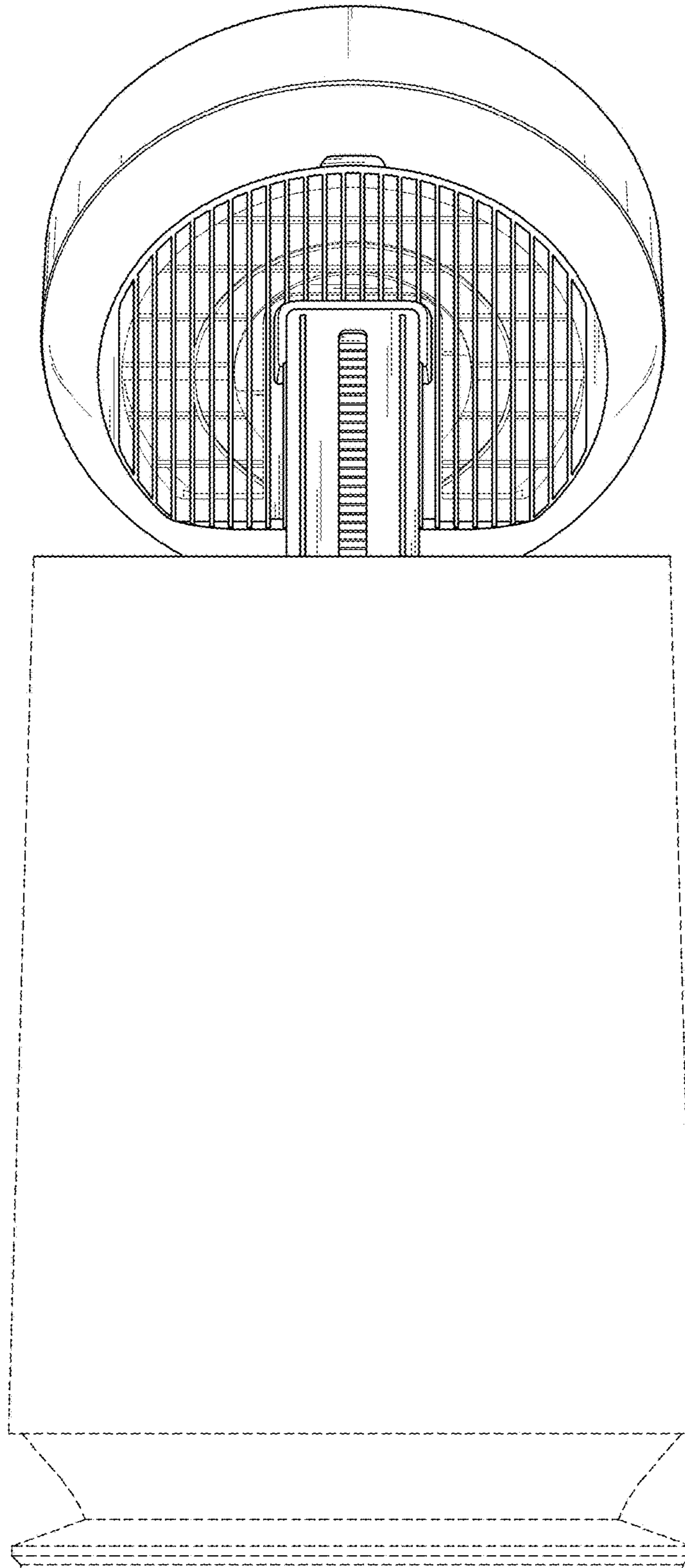


Fig. 12

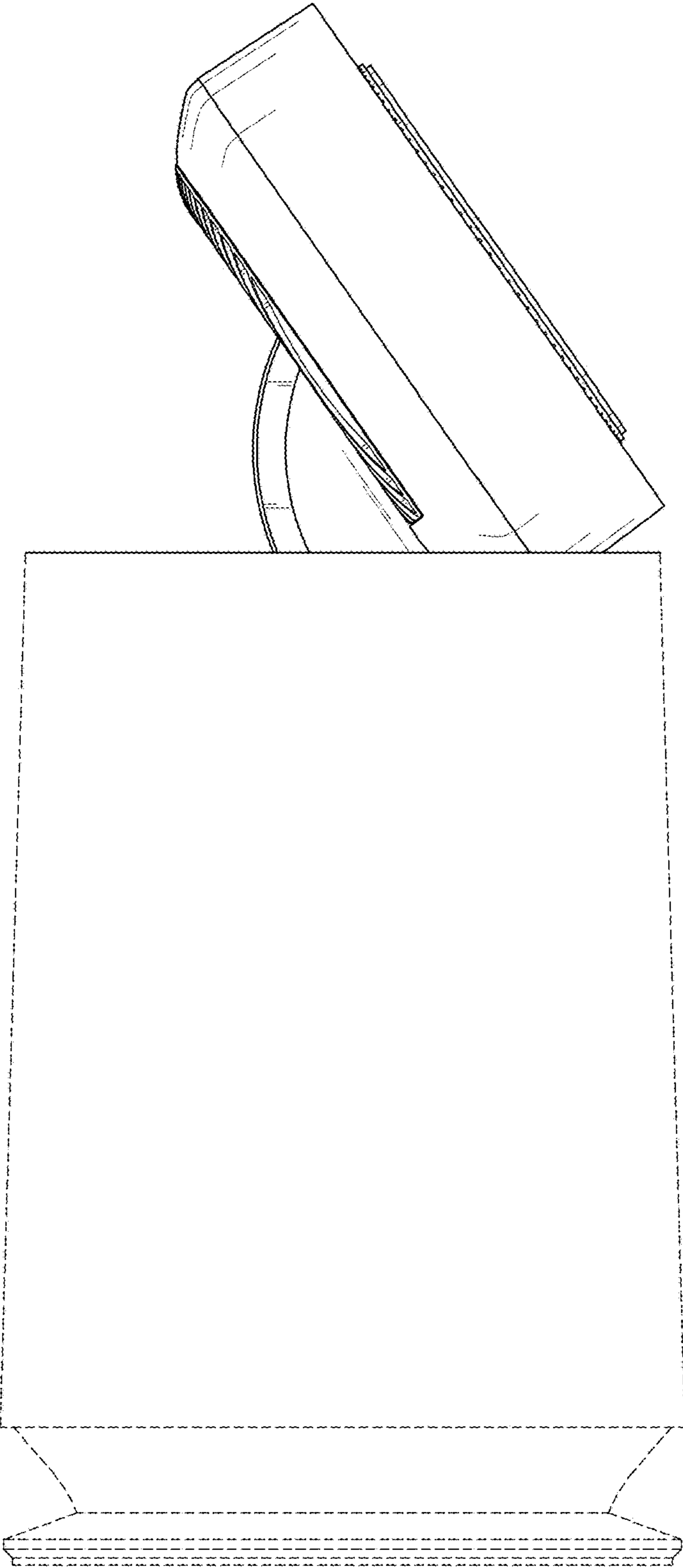


Fig. 13

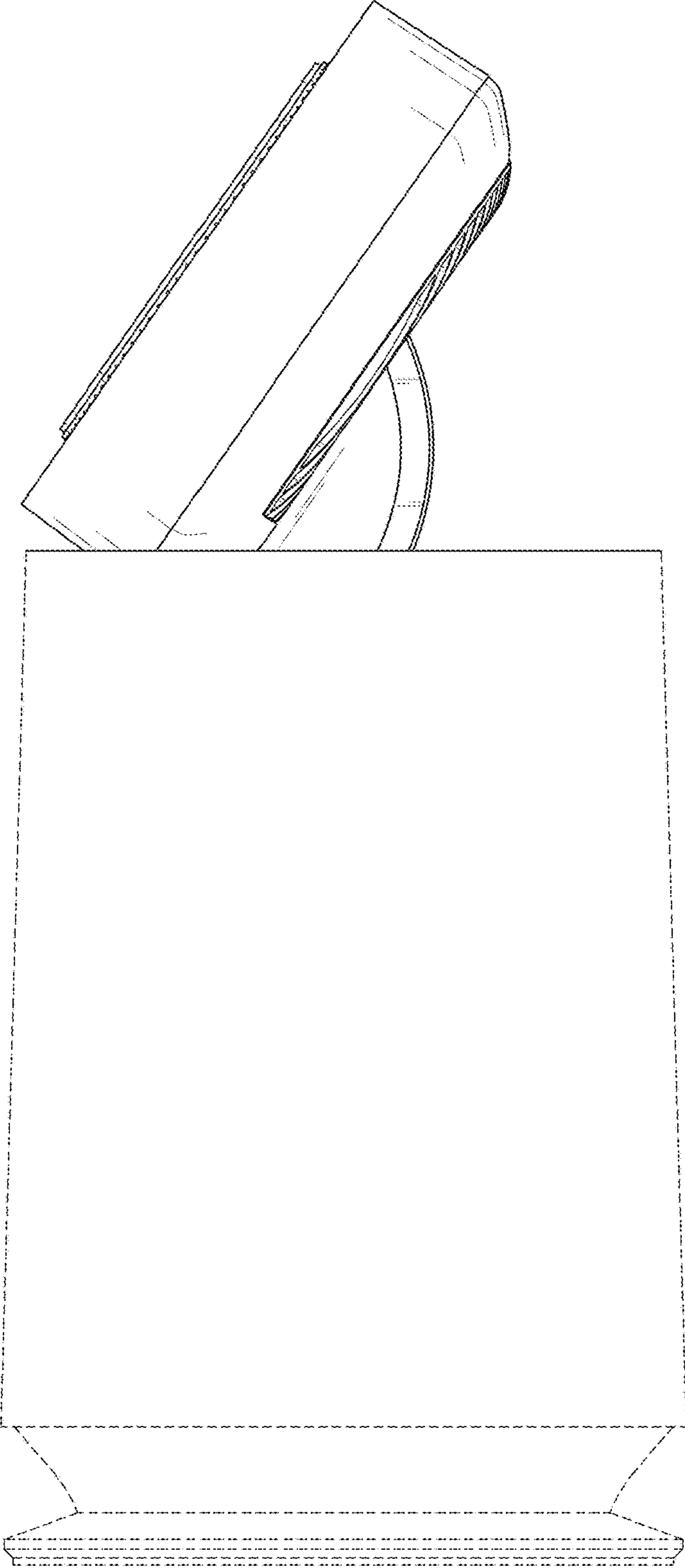


Fig. 14

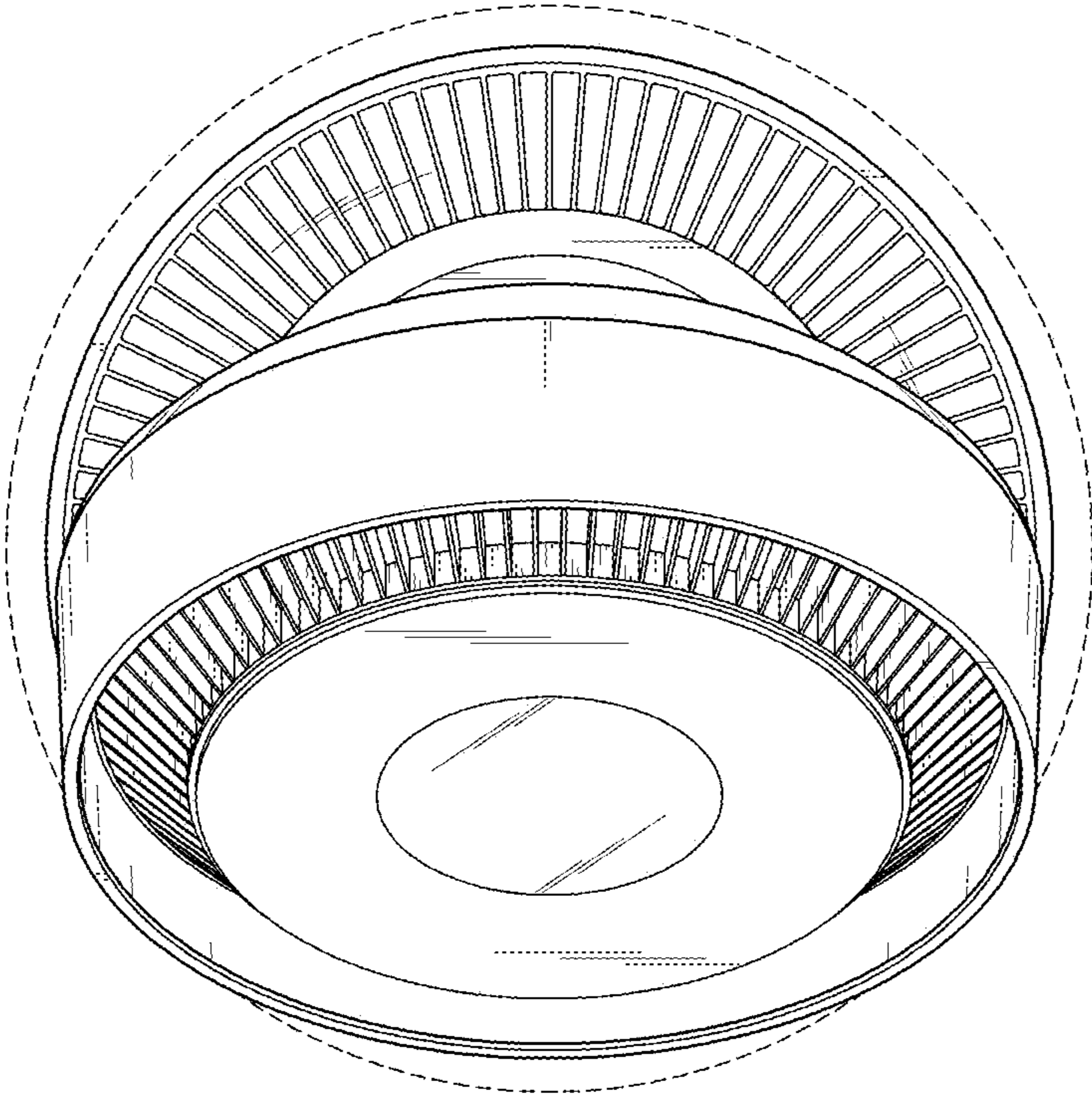


Fig. 15

