



US00D951418S

(12) **United States Design Patent**
Yan

(10) **Patent No.:** **US D951,418 S**

(45) **Date of Patent:** **** May 10, 2022**

(54) **AIR PURIFIER**

(71) Applicant: **Shenzhen Puremate Technology Co., Ltd.**, Shenzhen (CN)

(72) Inventor: **Yiqing Yan**, Shenzhen (CN)

(73) Assignee: **SHENZHEN PUREMATE TECHNOLOGY CO., LTD.**, Shenzhen (CN)

(**) Term: **15 Years**

(21) Appl. No.: **29/764,457**

(22) Filed: **Dec. 30, 2020**

(30) **Foreign Application Priority Data**

Dec. 11, 2020 (CN) 202030765923.2

(51) **LOC (13) Cl.** **23-04**

(52) **U.S. Cl.**
USPC **D23/364**

(58) **Field of Classification Search**
USPC D23/356, 359, 364–365, 378, 499;
D14/204, 214, 240, 314, 496
(Continued)

(56) **References Cited**

U.S. PATENT DOCUMENTS

D258,759 S * 3/1981 Johnson D23/366
D570,464 S * 6/2008 Normark D23/364
(Continued)

FOREIGN PATENT DOCUMENTS

JP D1547861 * 4/2016
JP D1592254 * 12/2017

OTHER PUBLICATIONS

Medify MA-25 Air Purifier, first available Apr. 9, 2020[online], [site visited Feb. 10, 2022]. Available from internet, URL:<<https://www.amazon.ca/dp/B086WQ2RZ4>> (Year: 2020).*

(Continued)

Primary Examiner — Barbara Fox

Assistant Examiner — Jamaal Rasheed

(74) *Attorney, Agent, or Firm* — Westbridge IP LLC

(57) **CLAIM**

The ornamental design for an air purifier, as shown and described.

DESCRIPTION

FIG. 1 is a top perspective view of an air purifier showing my new design according to a first embodiment;
FIG. 2 is a bottom perspective view thereof;
FIG. 3 is a front elevational view thereof;
FIG. 4 is a rear elevational view thereof;
FIG. 5 is a left side elevational view thereof;
FIG. 6 is a right side elevational view thereof;
FIG. 7 is a top plan view thereof;
FIG. 8 is a bottom plan view thereof;
FIG. 9 is an enlarged view of portion 9 of FIG. 1;
FIG. 10 is an enlarged view of portion 10 of FIG. 1;
FIG. 11 is a top perspective view of an air purifier showing my new design according to a second embodiment;
FIG. 12 is a bottom perspective view of FIG. 11;
FIG. 13 is a front elevational view of FIG. 11;
FIG. 14 is a rear elevational view of FIG. 11;
FIG. 15 is a left side elevational view of FIG. 11;
FIG. 16 is a right side elevational view of FIG. 11;
FIG. 17 is a top plan view of FIG. 11;
FIG. 18 is a bottom plan view of FIG. 11;
FIG. 19 is an enlarged view of portion 19 of FIG. 11;
FIG. 20 is an enlarged view of portion 20 of FIG. 11;
FIG. 21 is a top perspective view of an air purifier showing my new design according to a third embodiment;
FIG. 22 is a bottom perspective view of FIG. 21;
FIG. 23 is a front elevational view of FIG. 21;
FIG. 24 is a rear elevational view of FIG. 21;
FIG. 25 is a left side elevational view of FIG. 21;

(Continued)

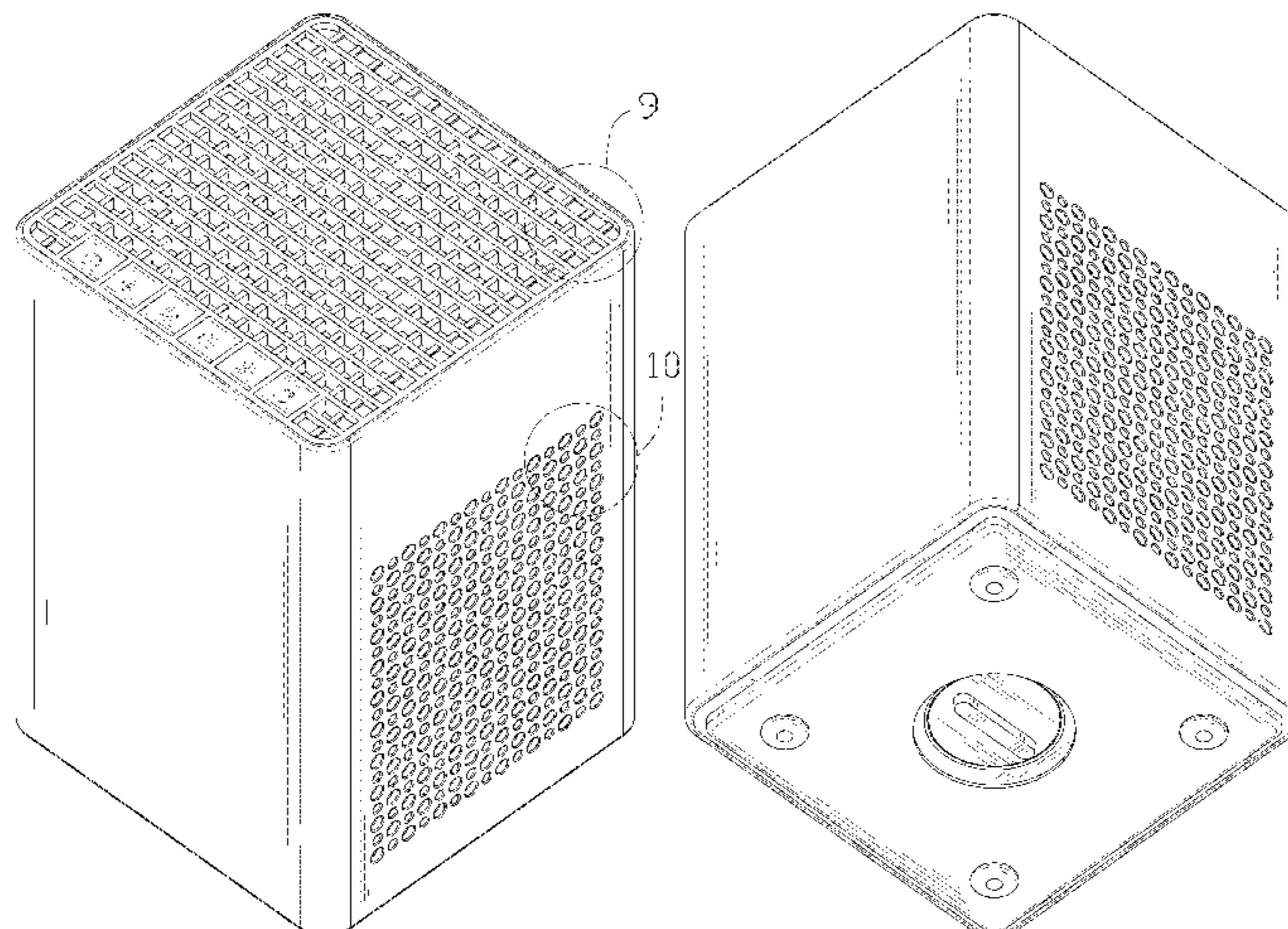


FIG. 26 is a right side elevational view of FIG. 21;
 FIG. 27 is a top plan view of FIG. 21;
 FIG. 28 is a bottom plan view of FIG. 21;
 FIG. 29 is an enlarged view of portion 29 of FIG. 21;
 FIG. 30 is an enlarged view of portion 30 of FIG. 21;
 FIG. 31 is a top perspective view of an air purifier showing my new design according to a fourth embodiment;
 FIG. 32 is a bottom perspective view of FIG. 31;
 FIG. 33 is a front elevational view of FIG. 31;
 FIG. 34 is a rear elevational view of FIG. 31;
 FIG. 35 is a left side elevational view of FIG. 31;
 FIG. 36 is a right side elevational view of FIG. 31;
 FIG. 37 is a top plan view of FIG. 31;
 FIG. 38 is a bottom plan view of FIG. 31;
 FIG. 39 is an enlarged view of portion 39 of FIG. 31;
 FIG. 40 is an enlarged view of portion 40 of FIG. 31;
 FIG. 41 is a top perspective view of an air purifier showing my new design according to a fifth embodiment;
 FIG. 42 is a bottom perspective view of FIG. 41;
 FIG. 43 is a front elevational view of FIG. 41;
 FIG. 44 is a rear elevational view of FIG. 41;
 FIG. 45 is a left side elevational view of FIG. 41;
 FIG. 46 is a right side elevational view of FIG. 41;
 FIG. 47 is a top plan view of FIG. 41;
 FIG. 48 is a bottom plan view of FIG. 41;
 FIG. 49 is an enlarged view of portion 49 of FIG. 41;
 FIG. 50 is an enlarged view of portion 50 of FIG. 41;
 FIG. 51 is a top perspective view of an air purifier showing my new design according to a sixth embodiment;
 FIG. 52 is a bottom perspective view of FIG. 51;
 FIG. 53 is a front elevational view of FIG. 51;
 FIG. 54 is a rear elevational view of FIG. 51;
 FIG. 55 is a left side elevational view of FIG. 51;
 FIG. 56 is a right side elevational view of FIG. 51;
 FIG. 57 is a top plan view of FIG. 51;
 FIG. 58 is a bottom plan view of FIG. 51;

FIG. 59 is an enlarged view of portion 59 of FIG. 51; and, FIG. 60 is an enlarged view of portion 60 of FIG. 51. The broken lines in the drawings illustrate the portions of the air purifier which form no part of the claimed design.

1 Claim, 60 Drawing Sheets

(58) **Field of Classification Search**

CPC F24F 1/029; F24F 1/035; F24F 1/0287; F24F 6/06; F24F 6/14; F24F 13/06; F24F 13/20; F24F 13/222; F24F 3/16; F24F 3/1405; F24F 3/1603; B05B 17/06
 See application file for complete search history.

(56) **References Cited**

U.S. PATENT DOCUMENTS

D728,089	S	*	4/2015	Crisa'	D23/366
D754,102	S	*	4/2016	Sun	D14/214
D791,297	S	*	7/2017	Ljungstrom	D23/364
9,694,369	B2	*	7/2017	Engberg	B03C 3/368
D862,673	S	*	10/2019	Tang	D23/364
D865,148	S	*	10/2019	Yoon	D23/364
D889,447	S	*	7/2020	Biddle	D14/240
D891,406	S	*	7/2020	Hulick	D14/240
D917,683	S	*	4/2021	Xie	D23/359
D928,298	S	*	8/2021	Zuo	D23/364
D935,588	S	*	11/2021	LaPorte	D23/364
D940,707	S	*	1/2022	Ledbetter	D14/349
D942,447	S	*	2/2022	Ledbetter	D14/349

OTHER PUBLICATIONS

Germ Guardian AP5800W 19 Hi-Performance Air Purifier, first available Jan. 22, 2021 [online], [site visited Feb. 8, 2022]. Available from internet, URL:<<https://www.amazon.ca/dp/B08FTJNMSZ>> (Year: 2021).*

* cited by examiner

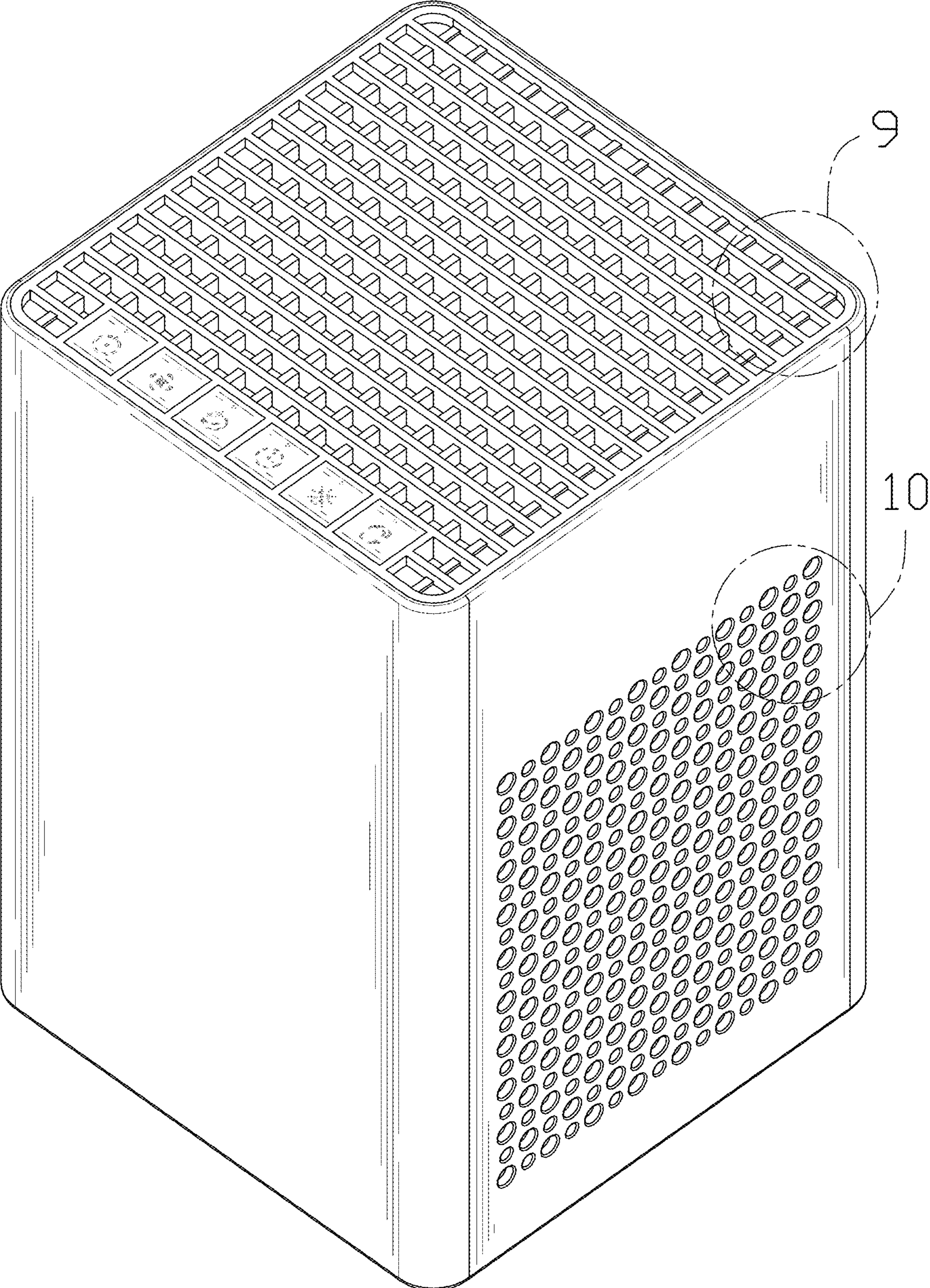


FIG. 1

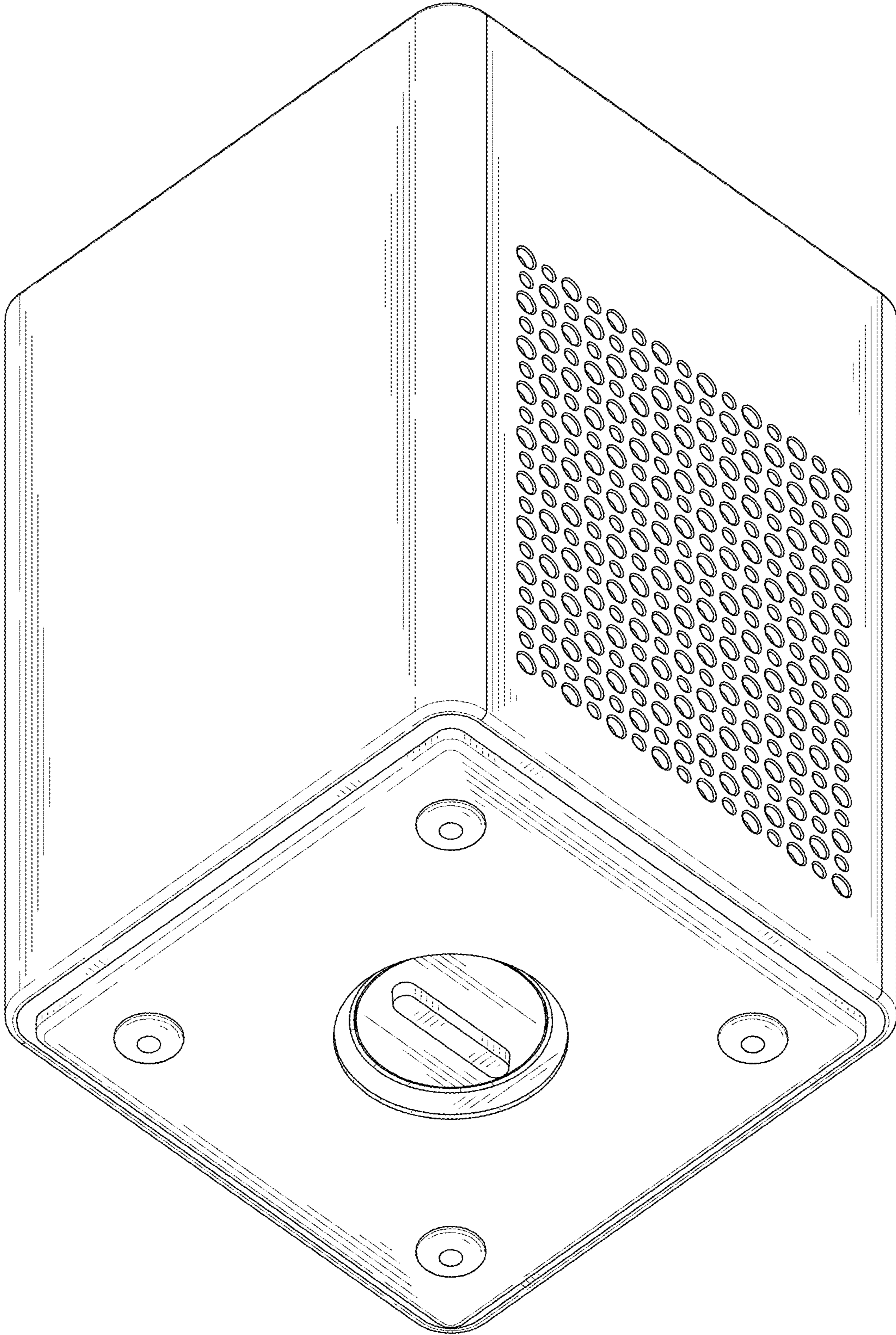


FIG. 2

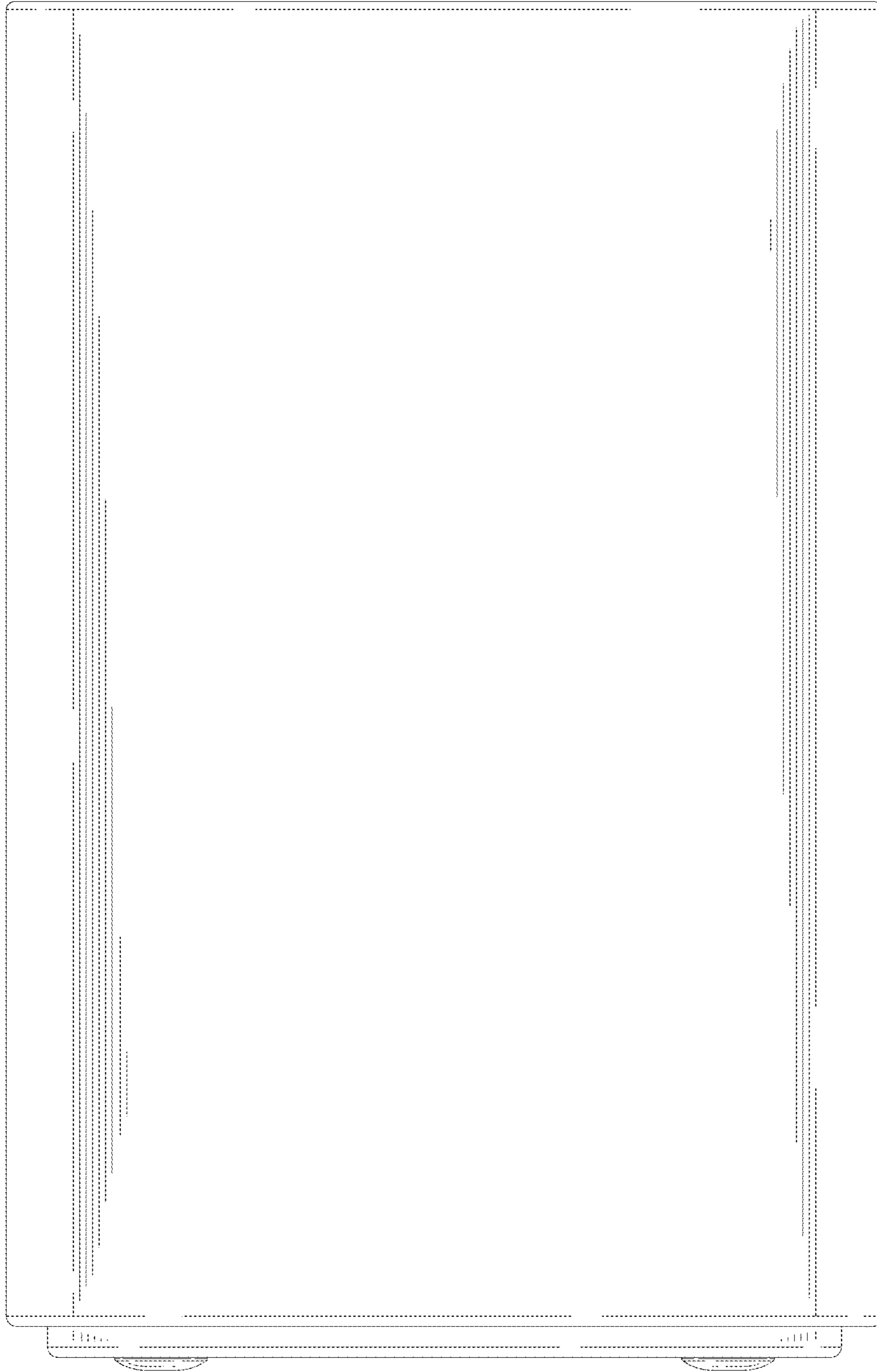


FIG. 3

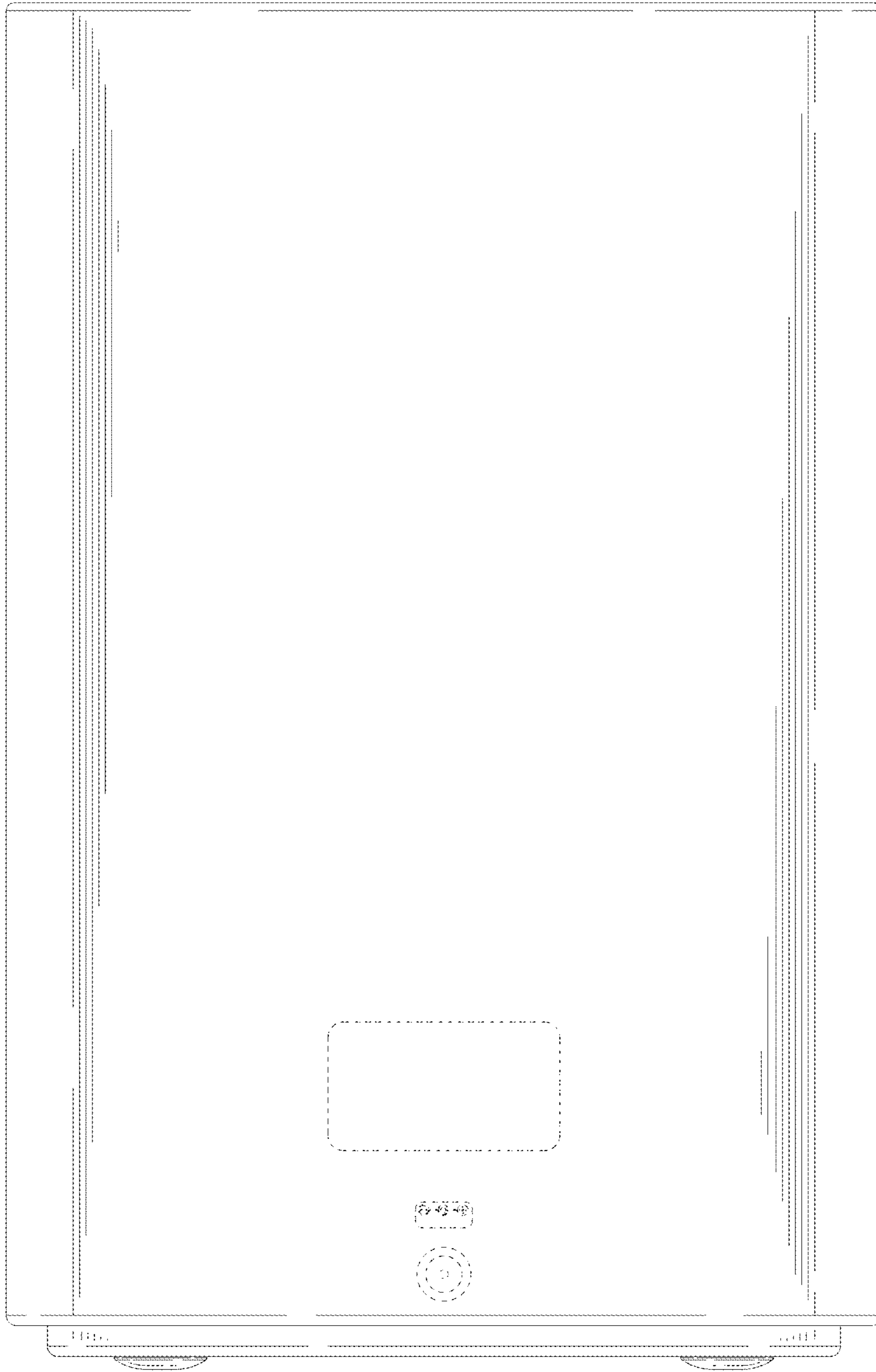


FIG. 4

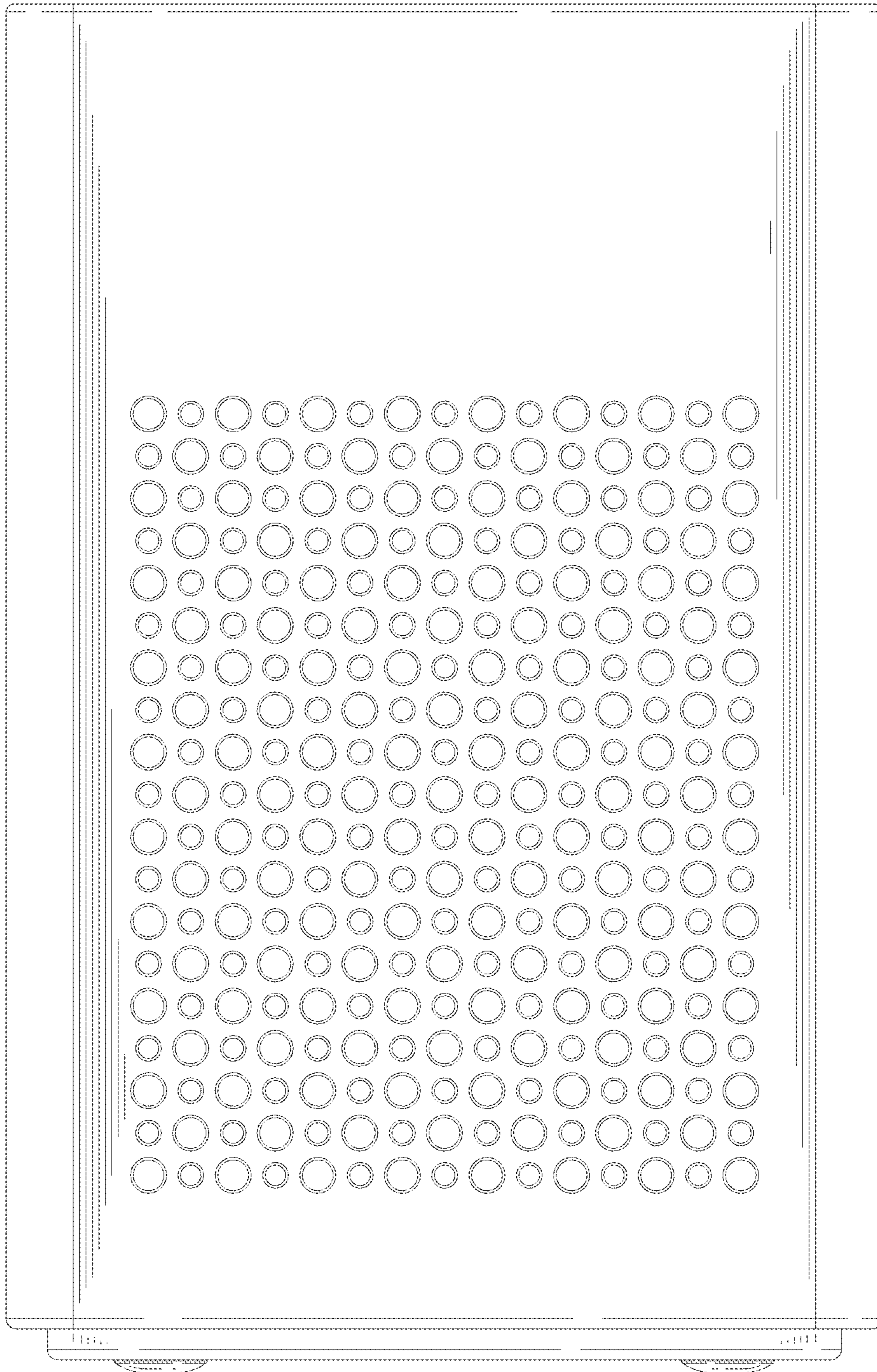


FIG. 5

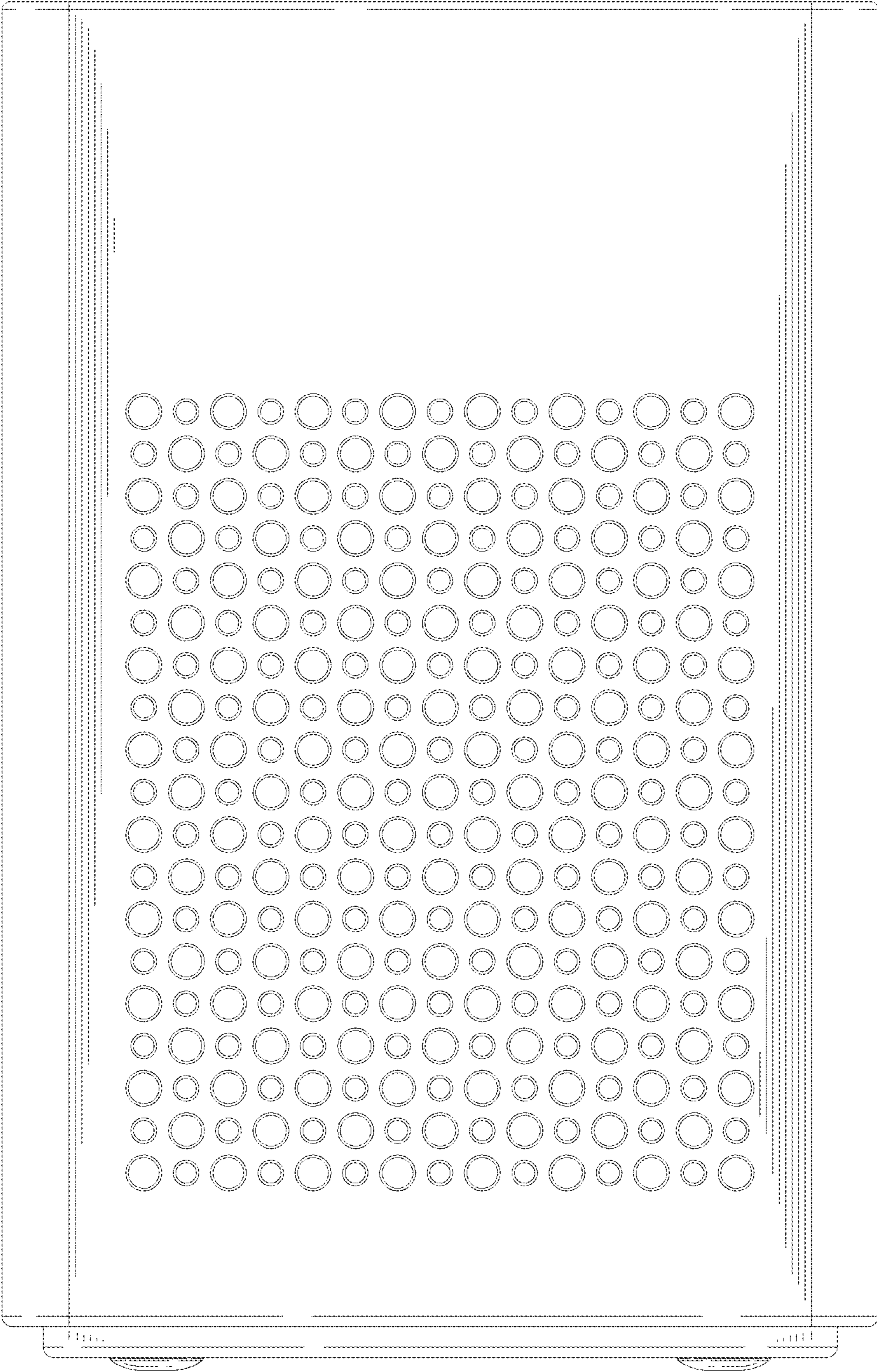


FIG. 6

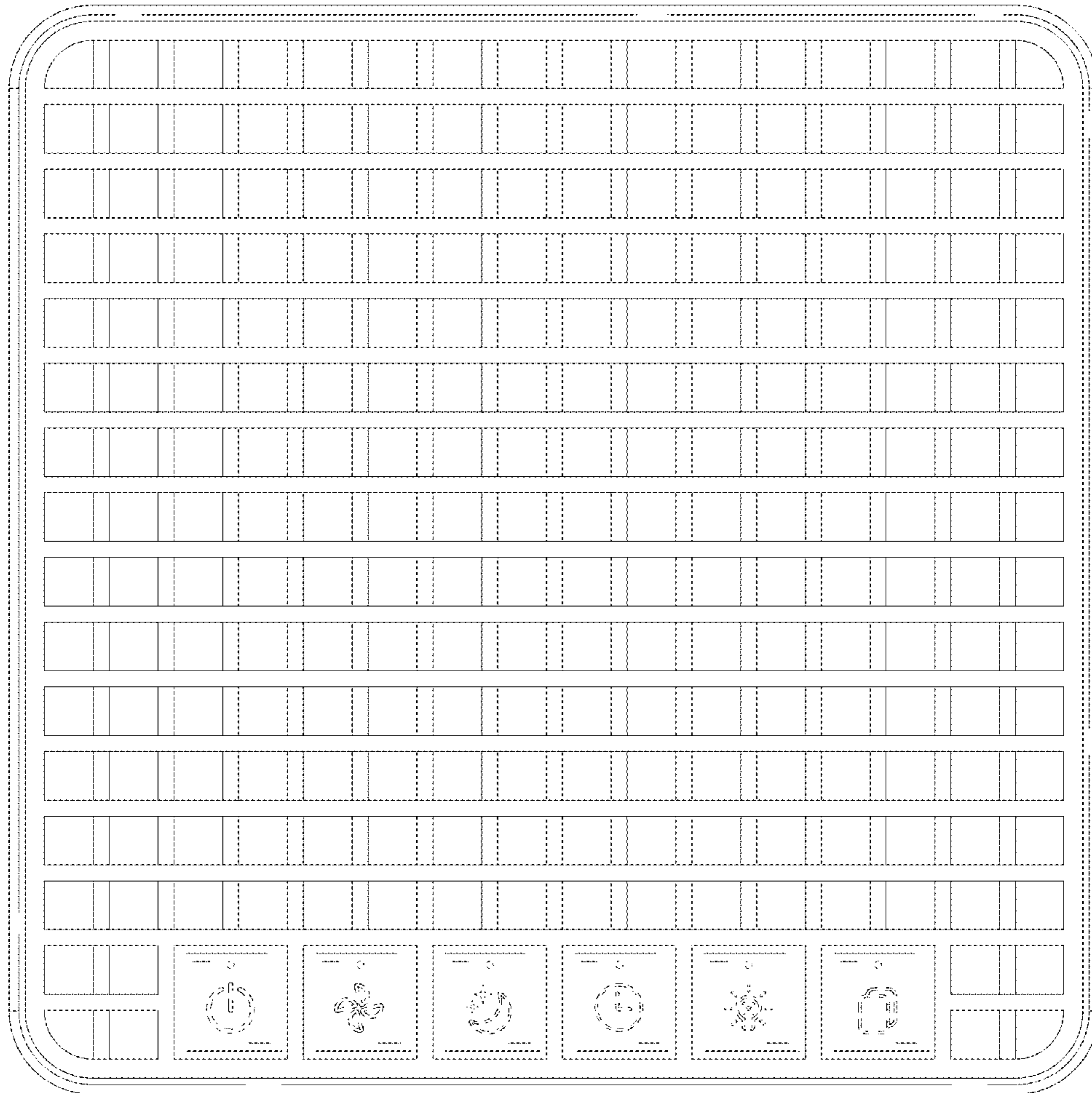


FIG. 7

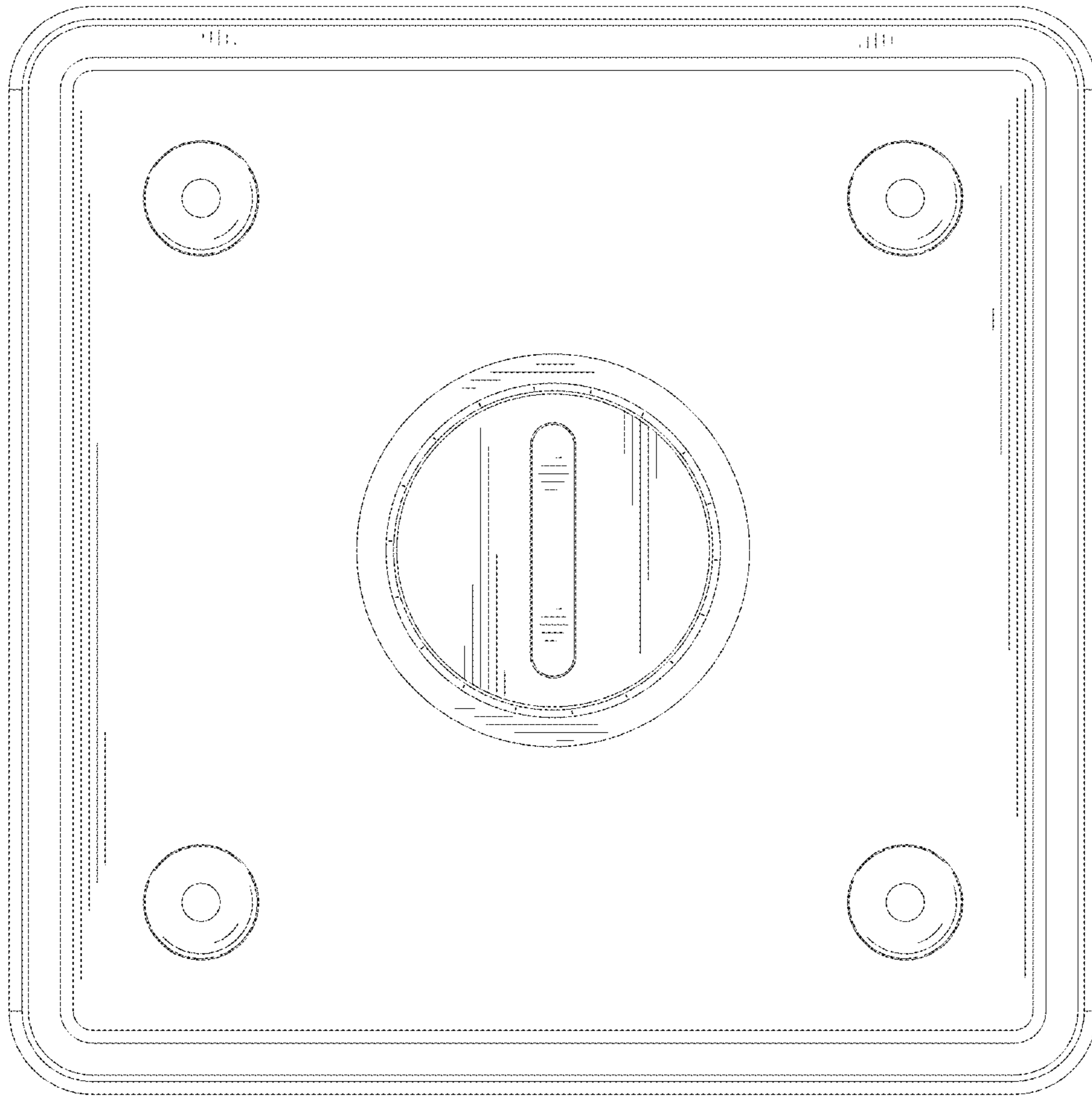


FIG. 8

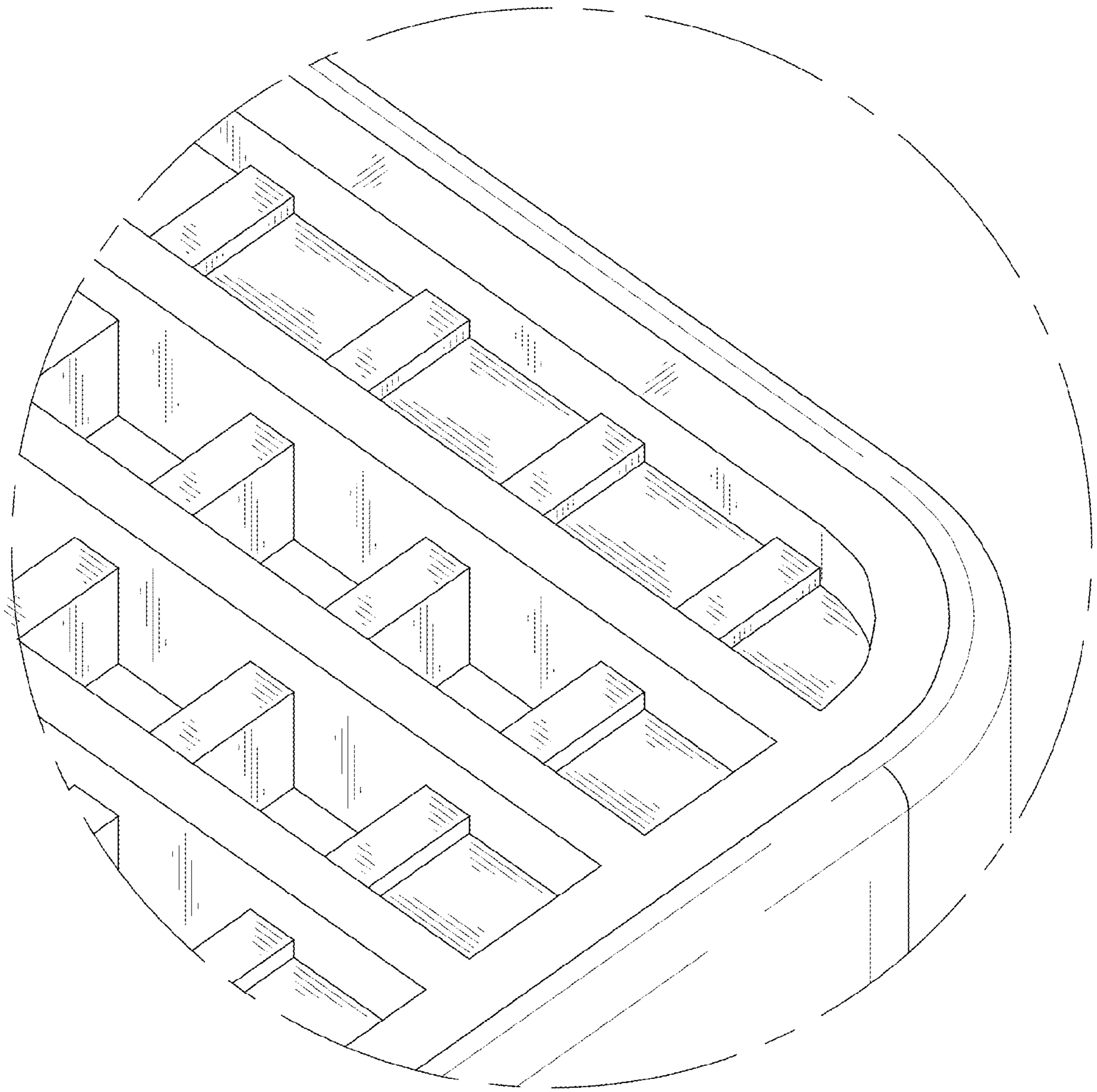


FIG. 9

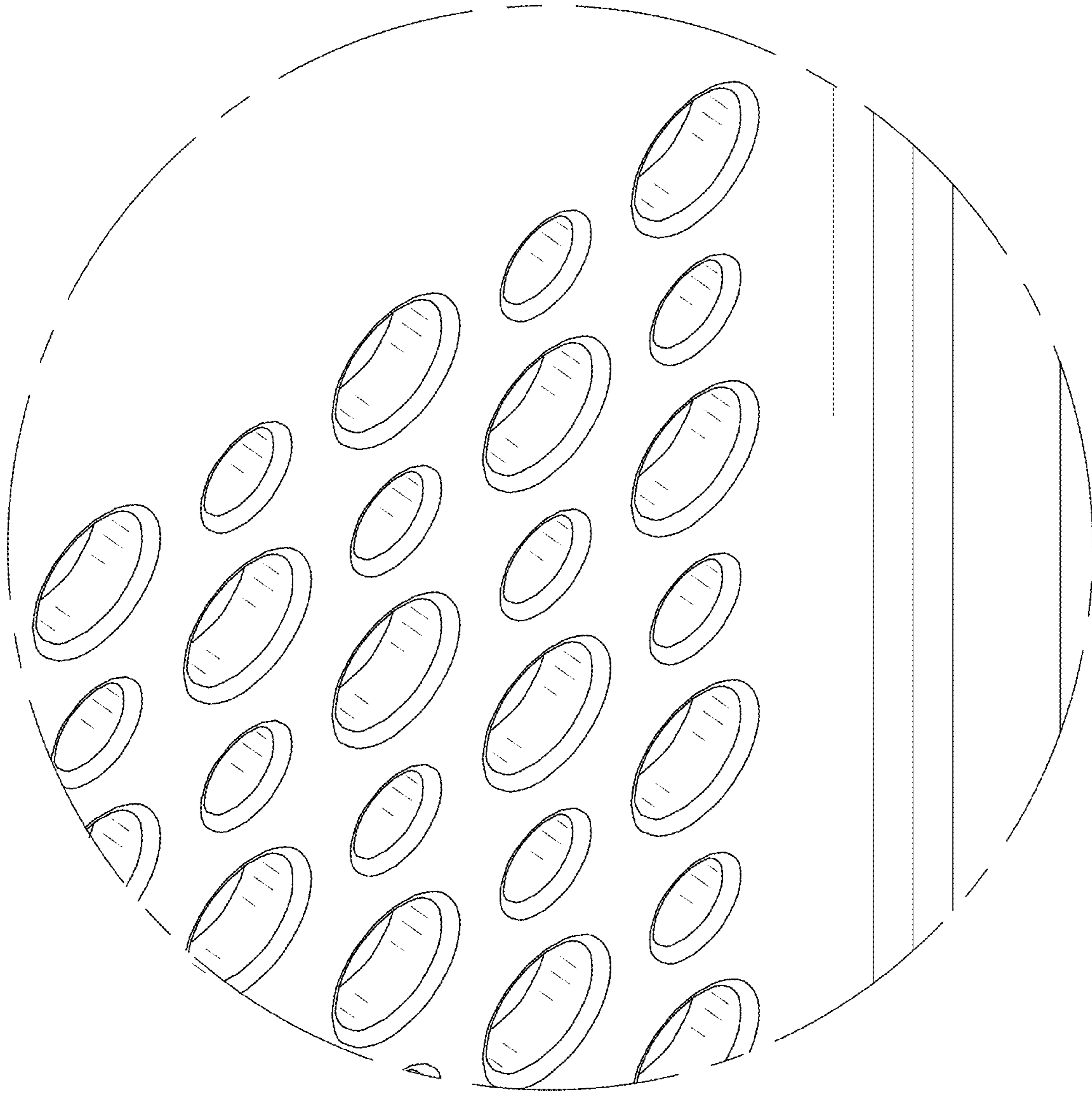


FIG. 10

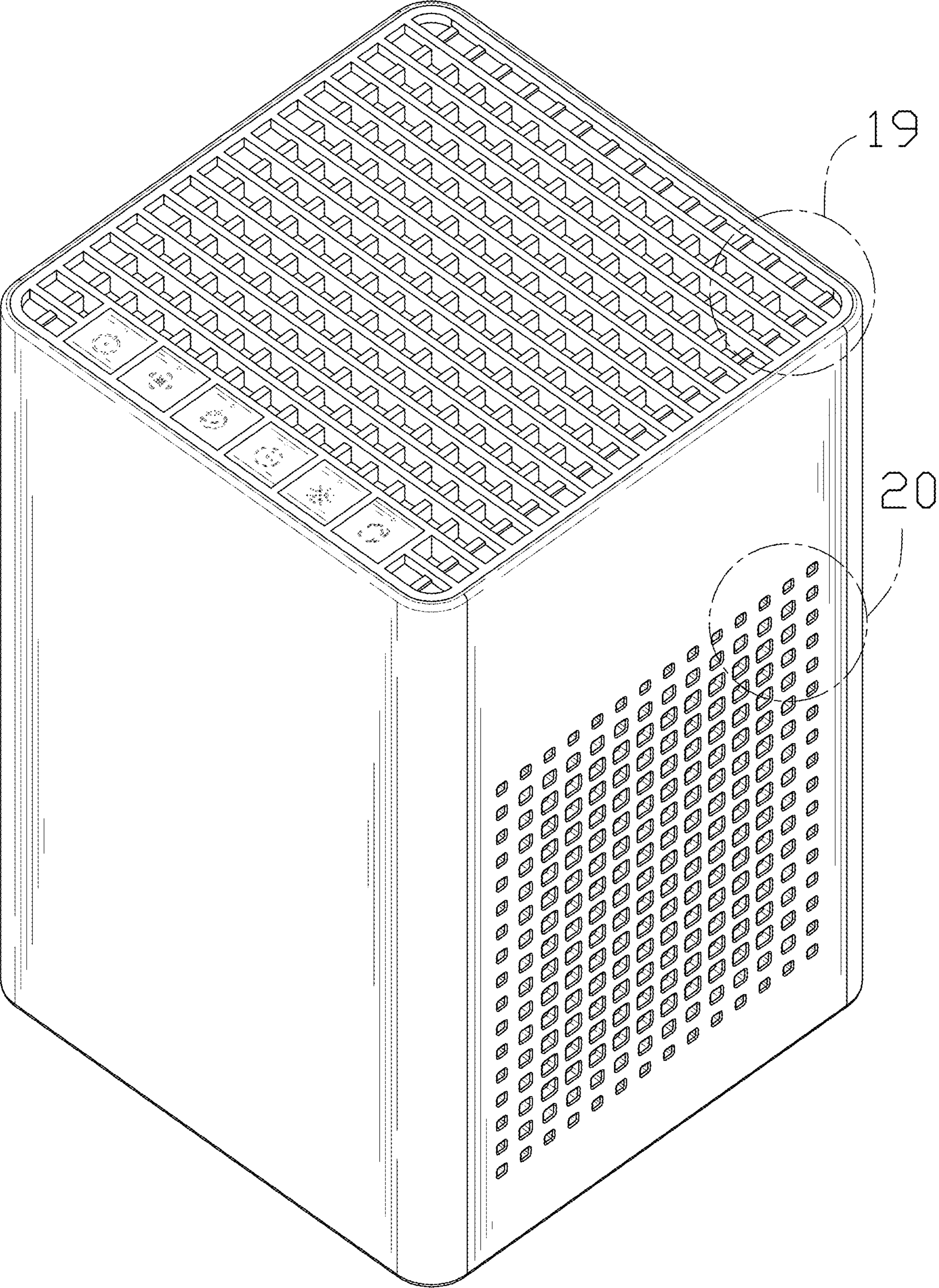


FIG. 11

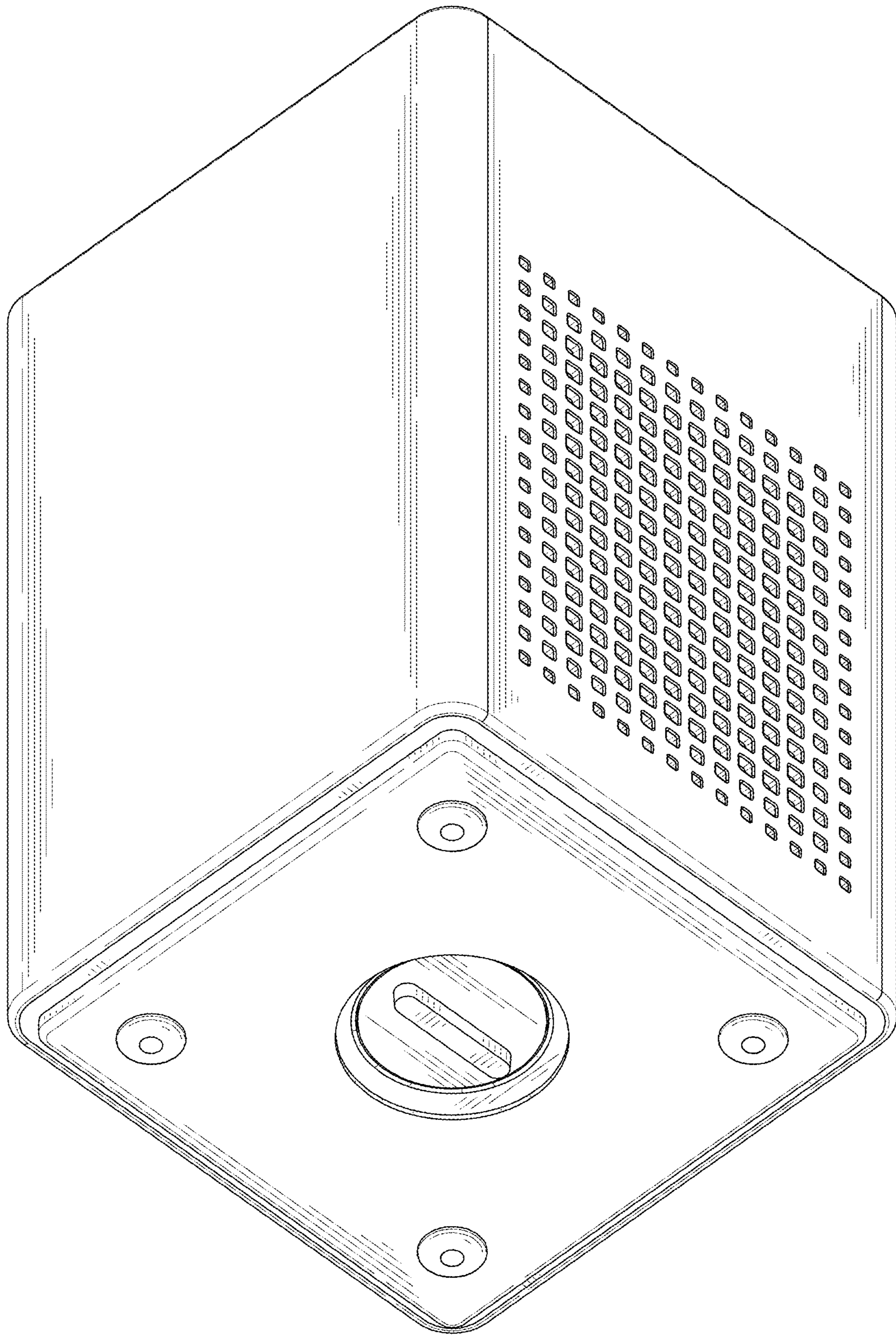


FIG. 12

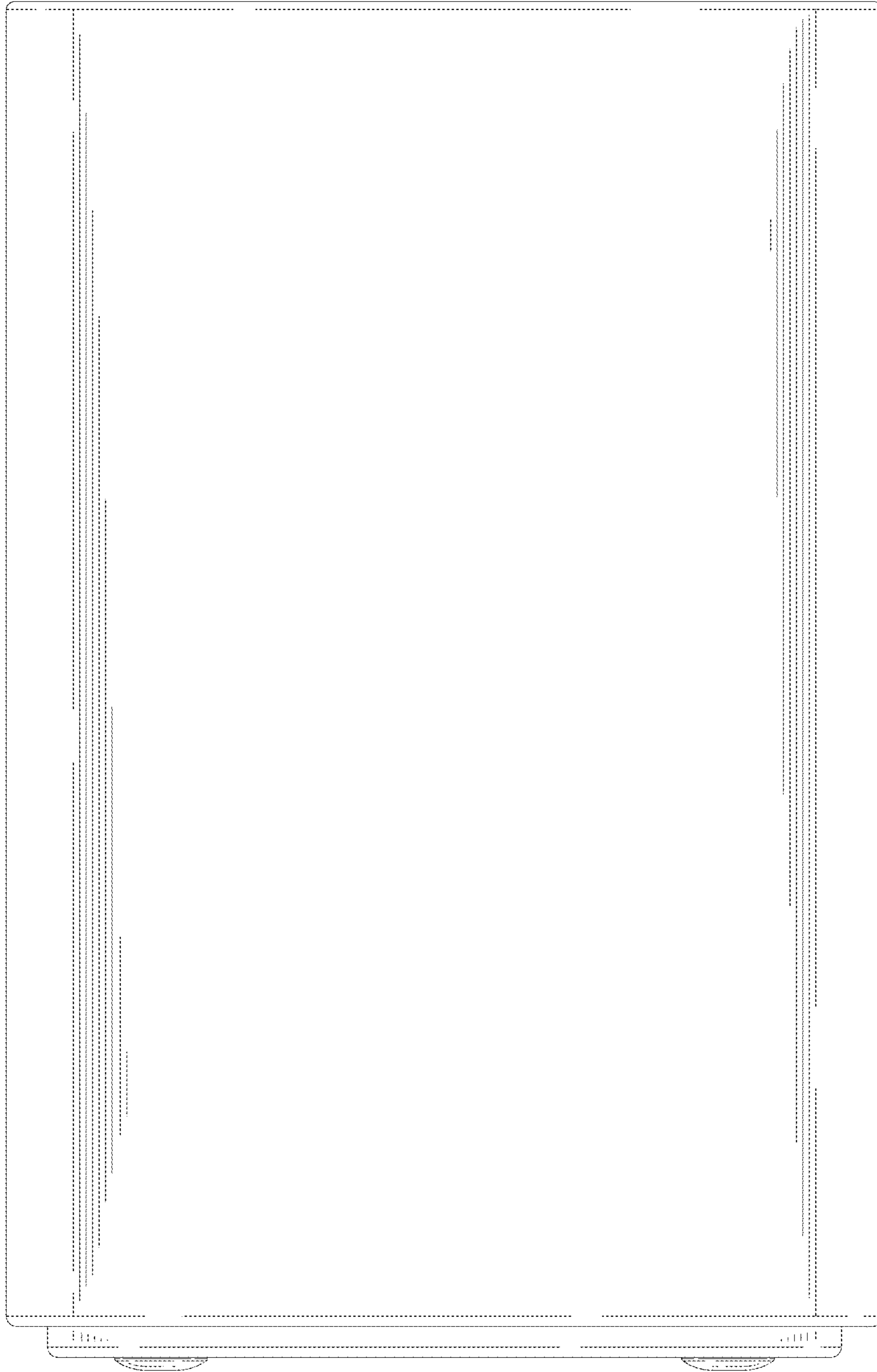


FIG. 13

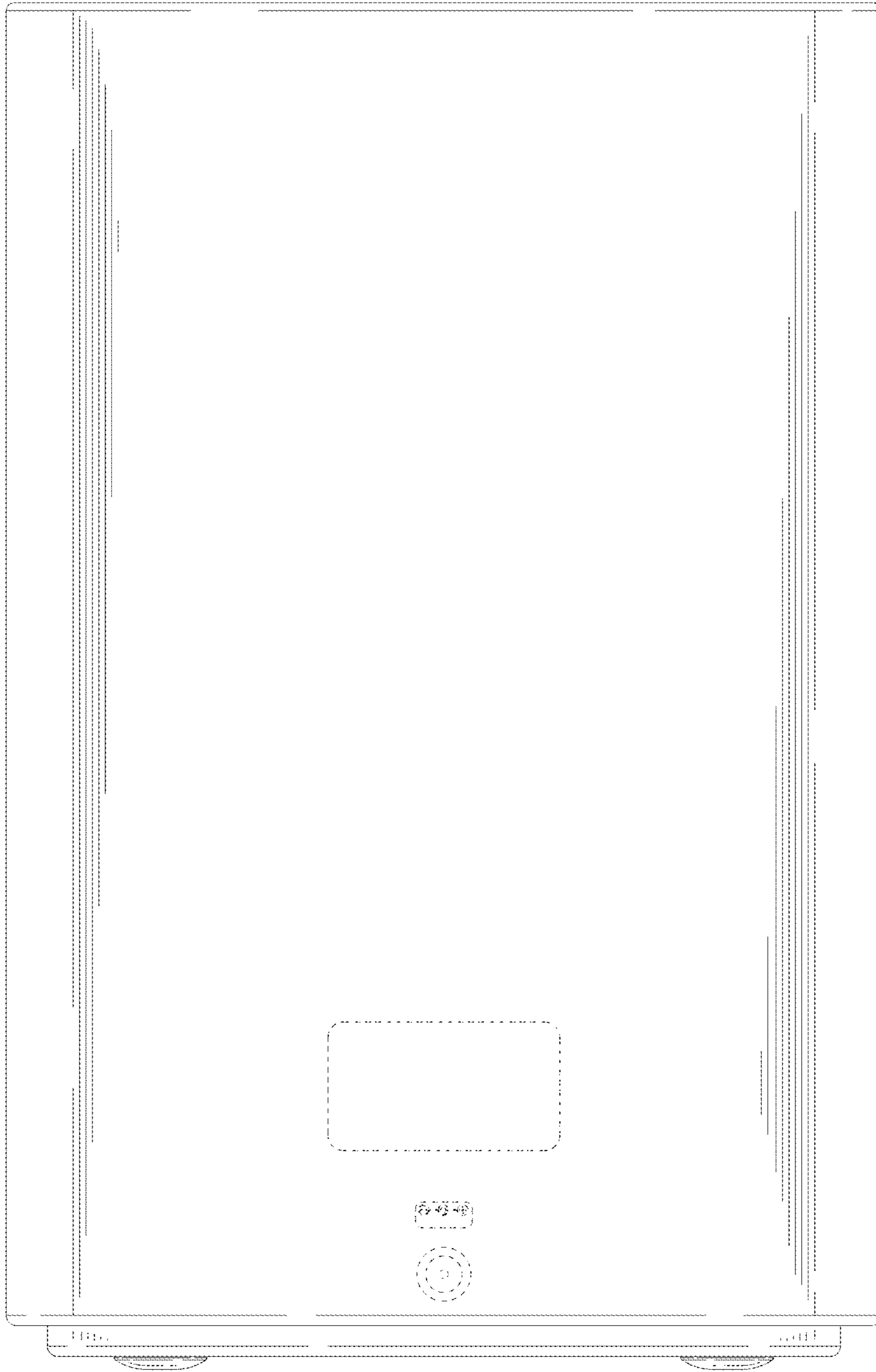


FIG. 14

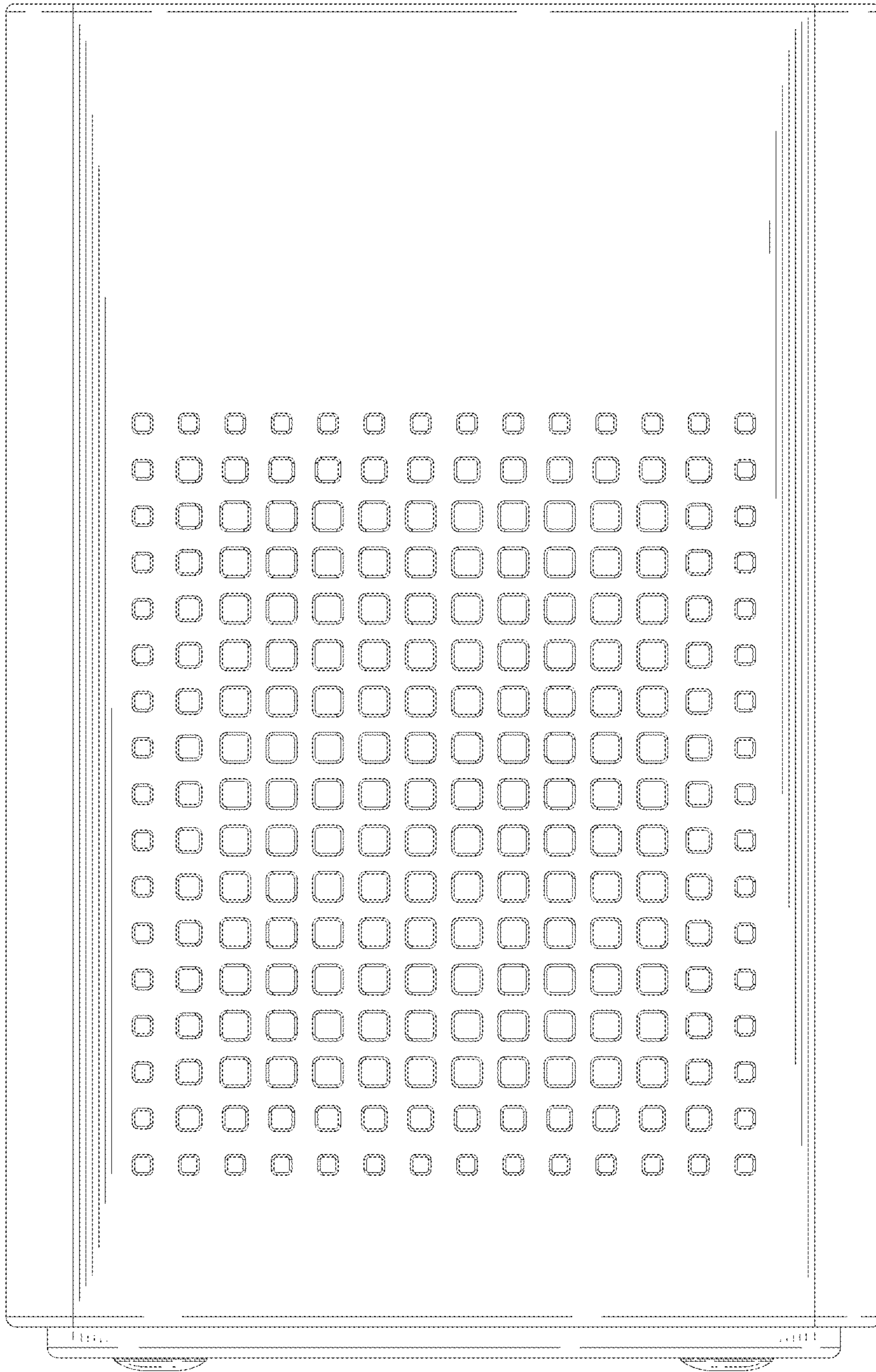


FIG. 15

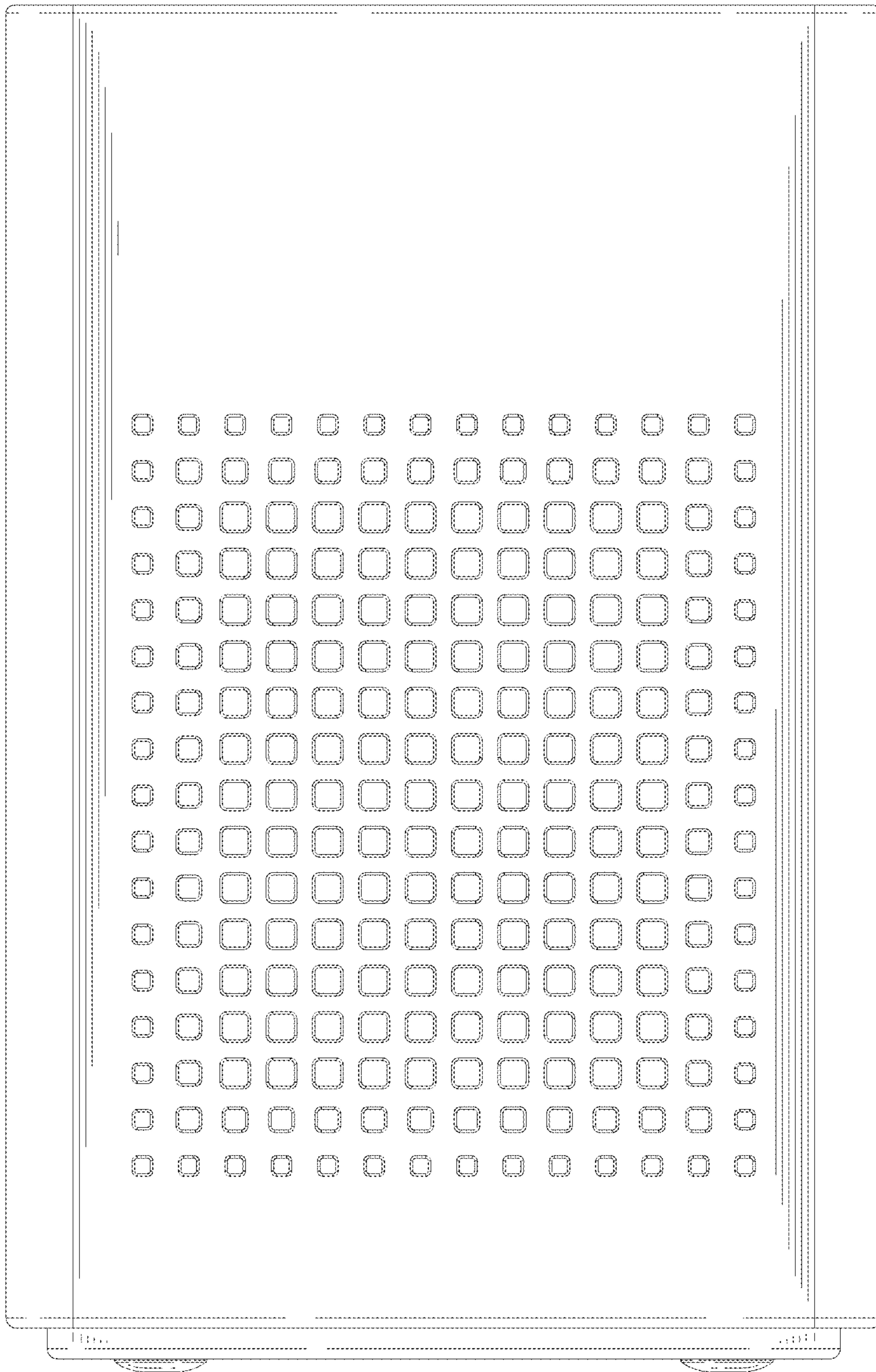


FIG. 16

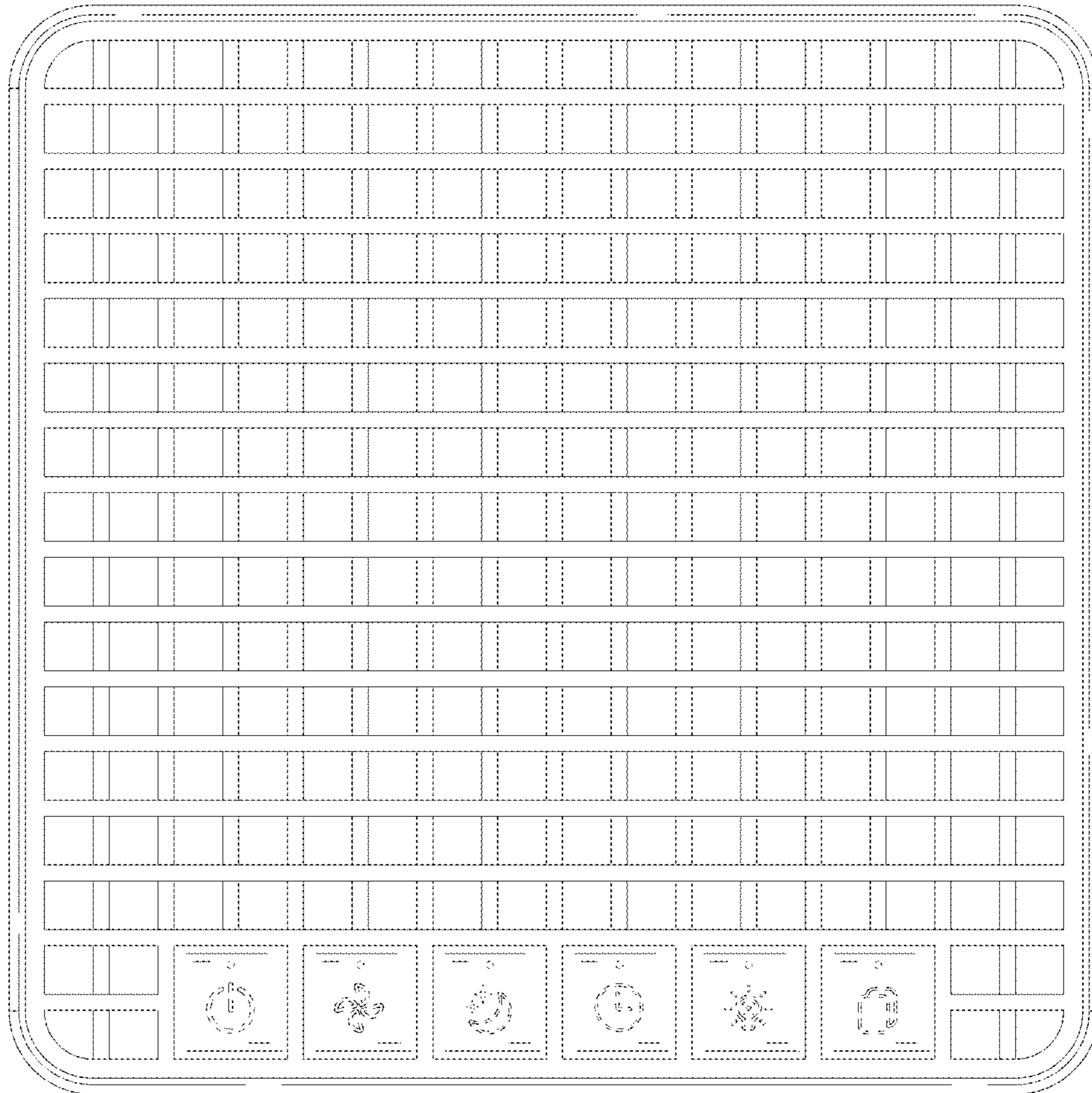


FIG. 17

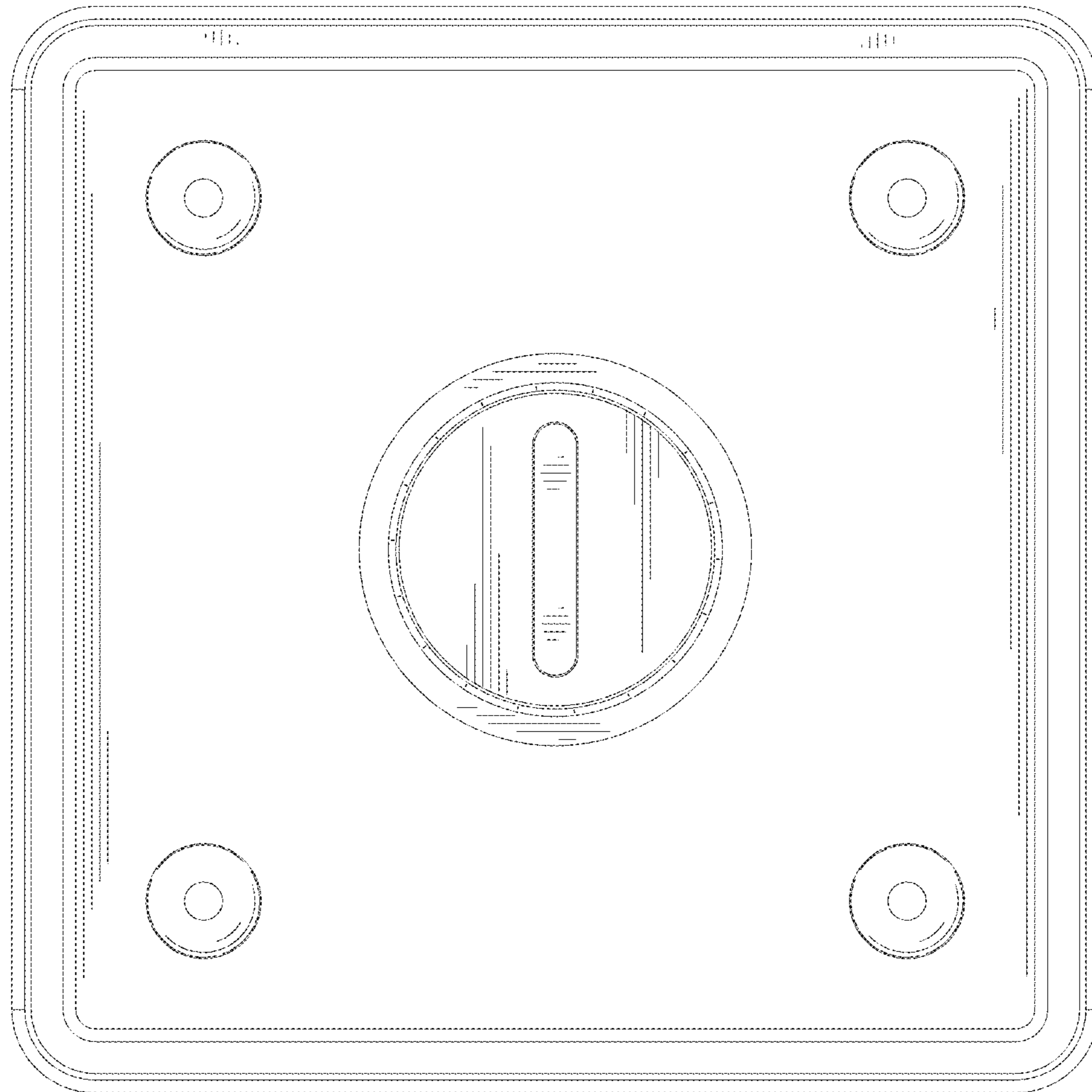


FIG. 18

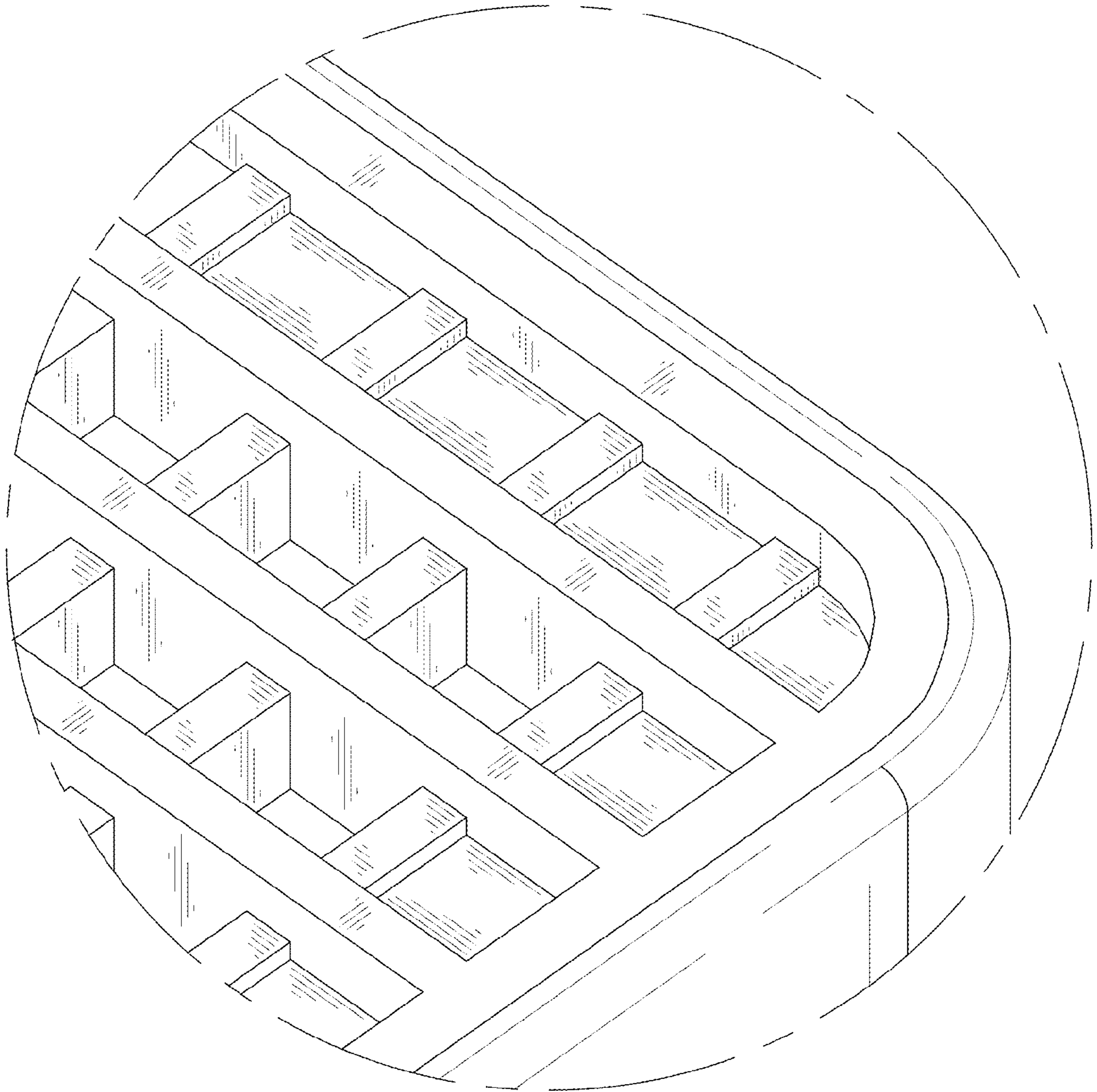


FIG. 19

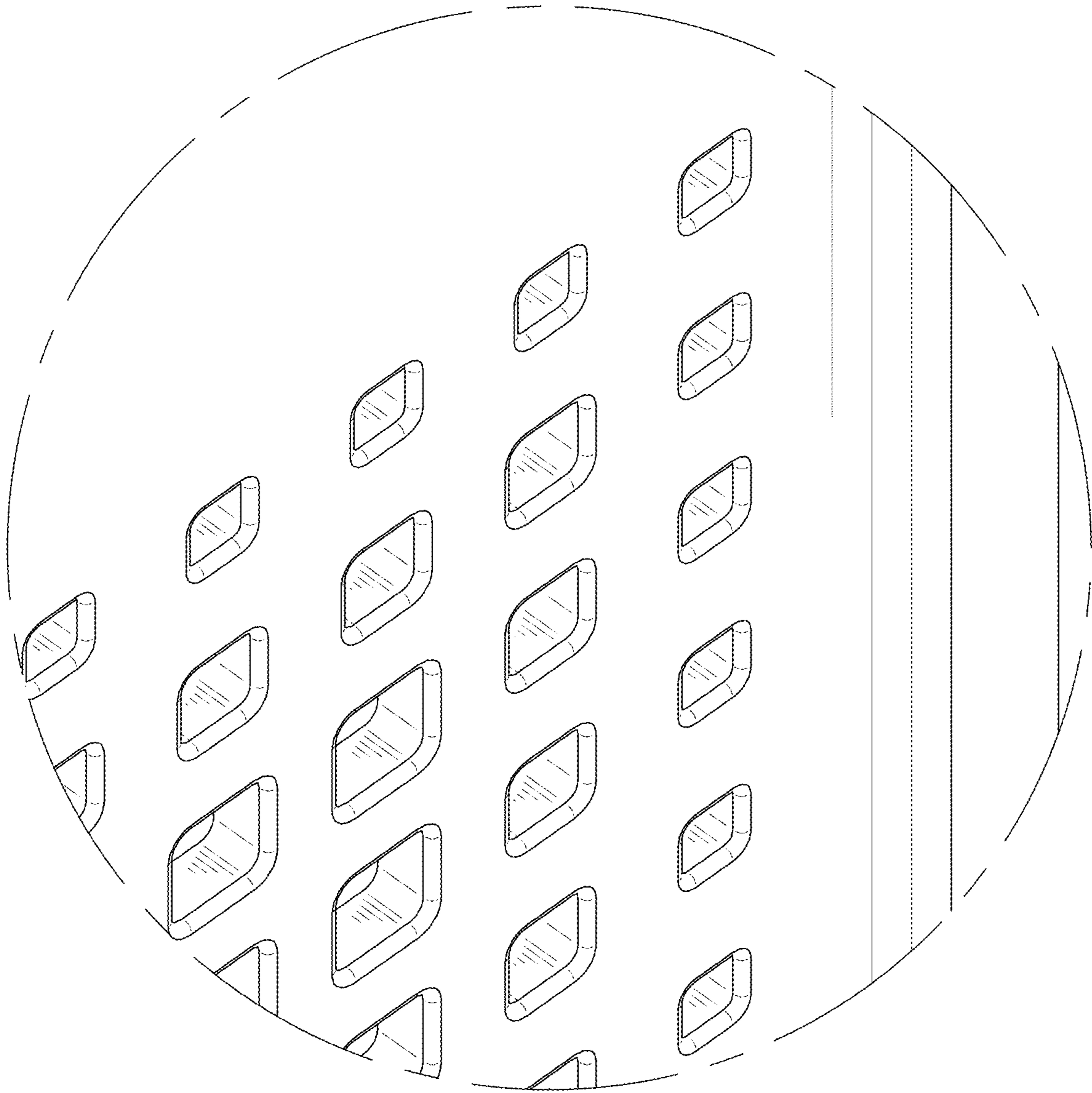


FIG. 20

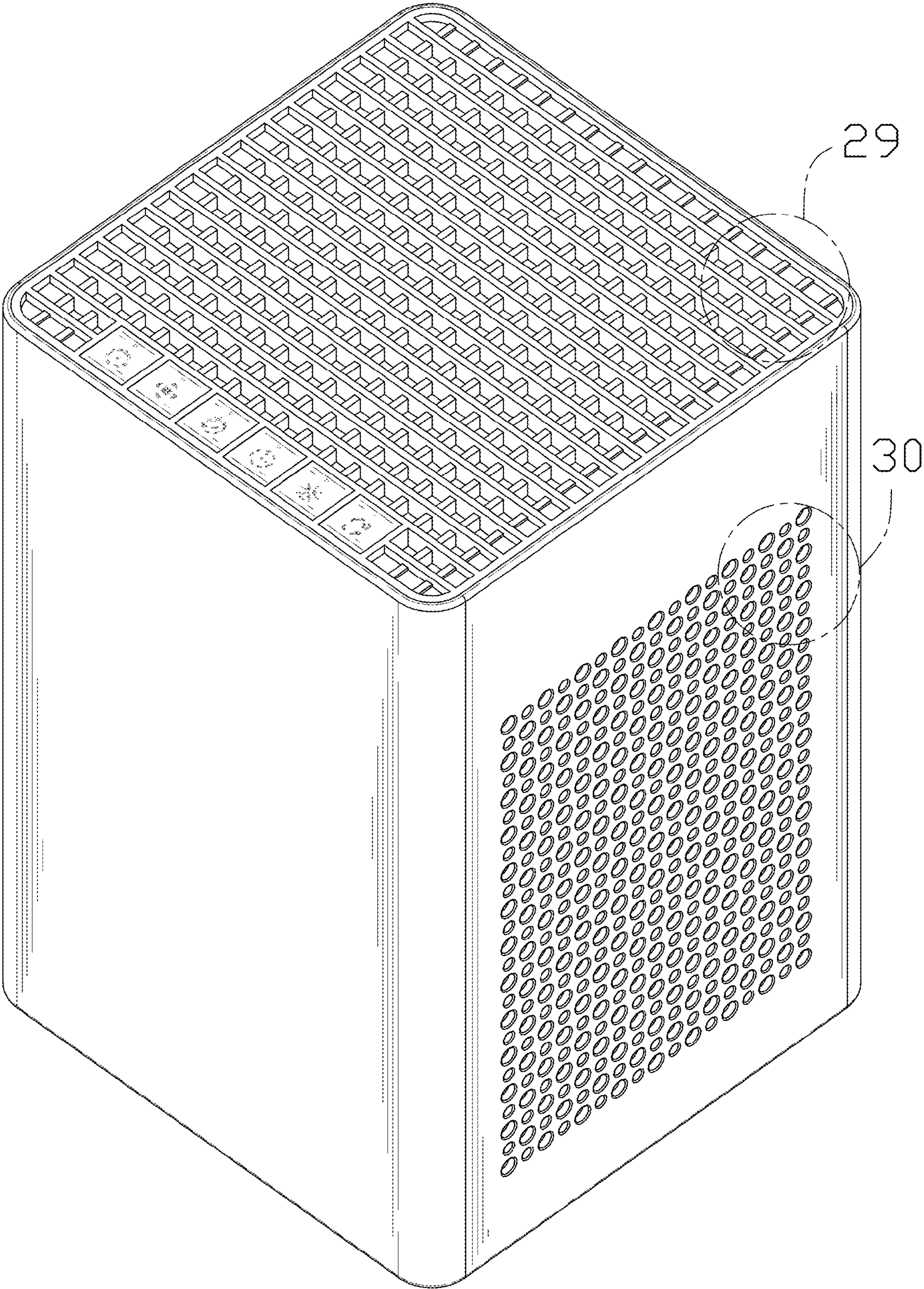


FIG. 21

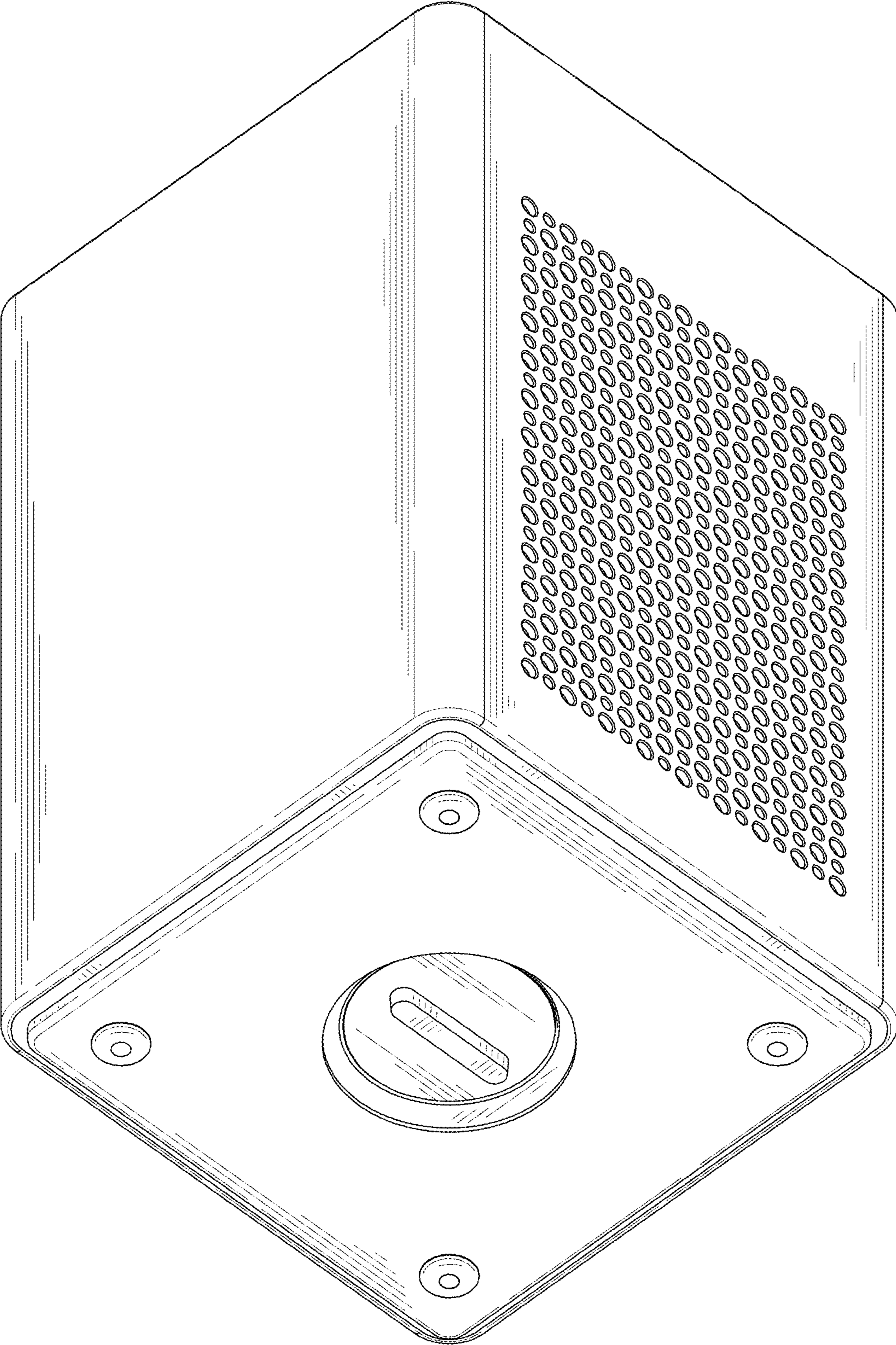


FIG. 22

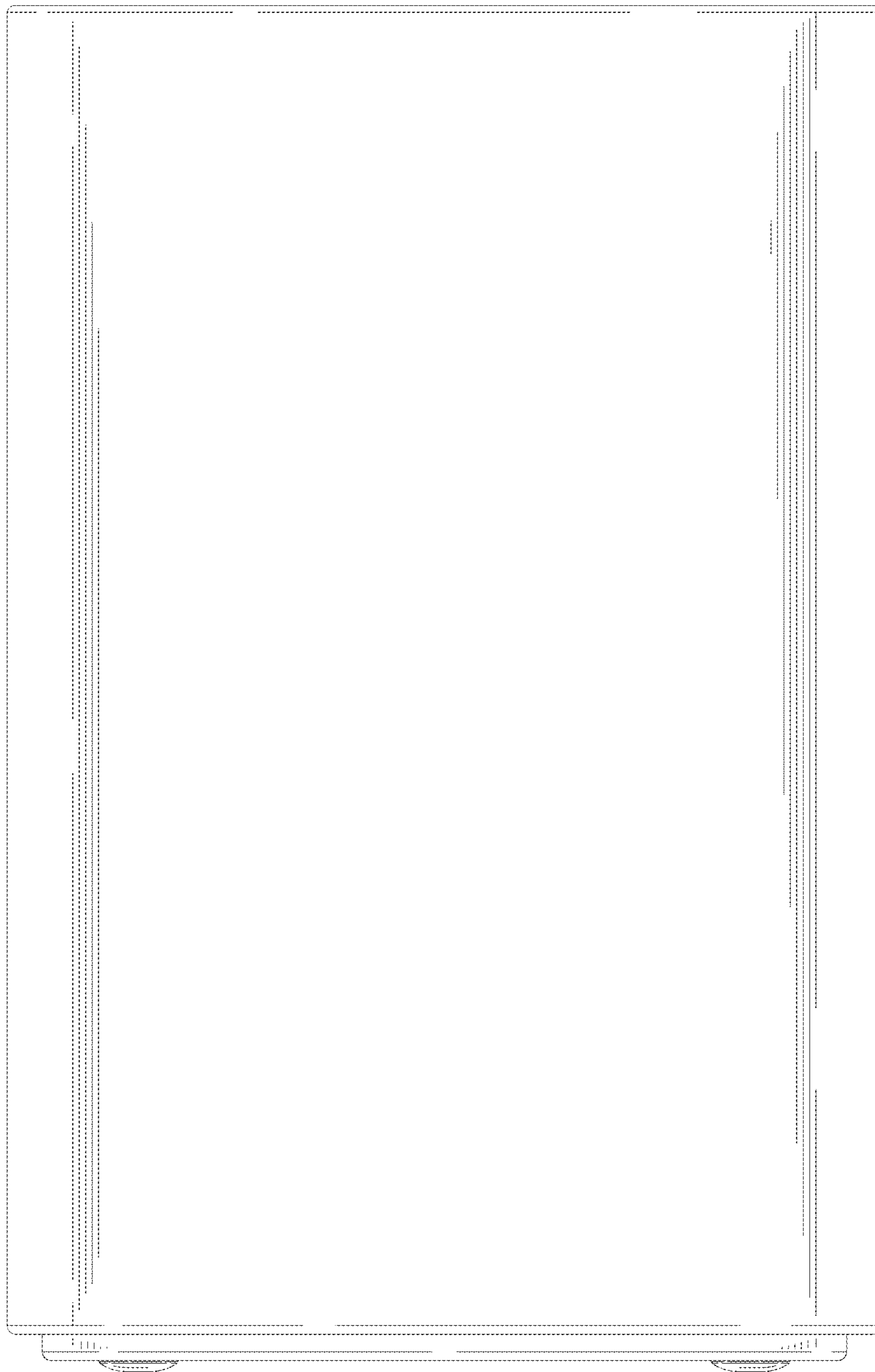


FIG. 23

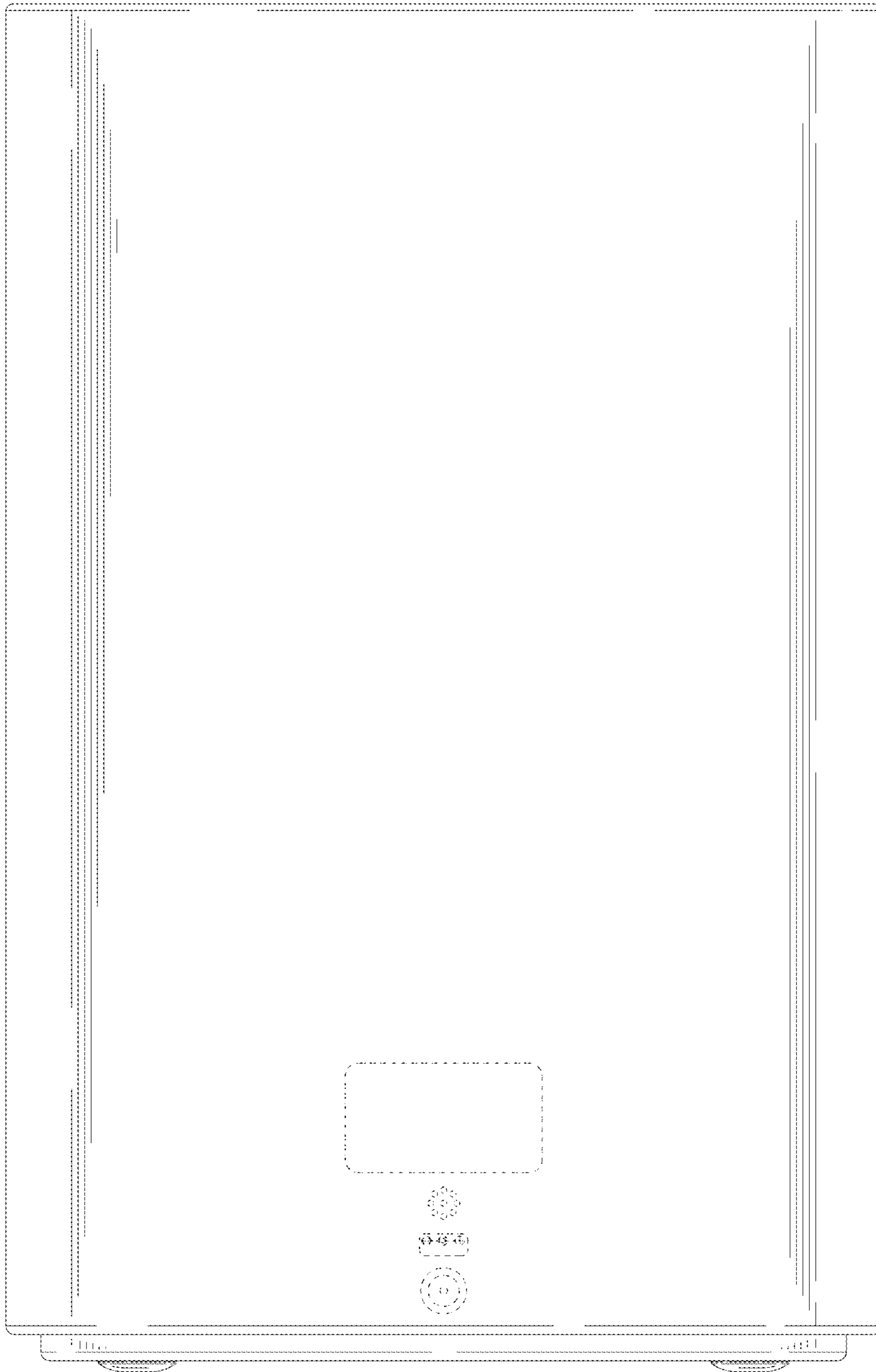


FIG. 24

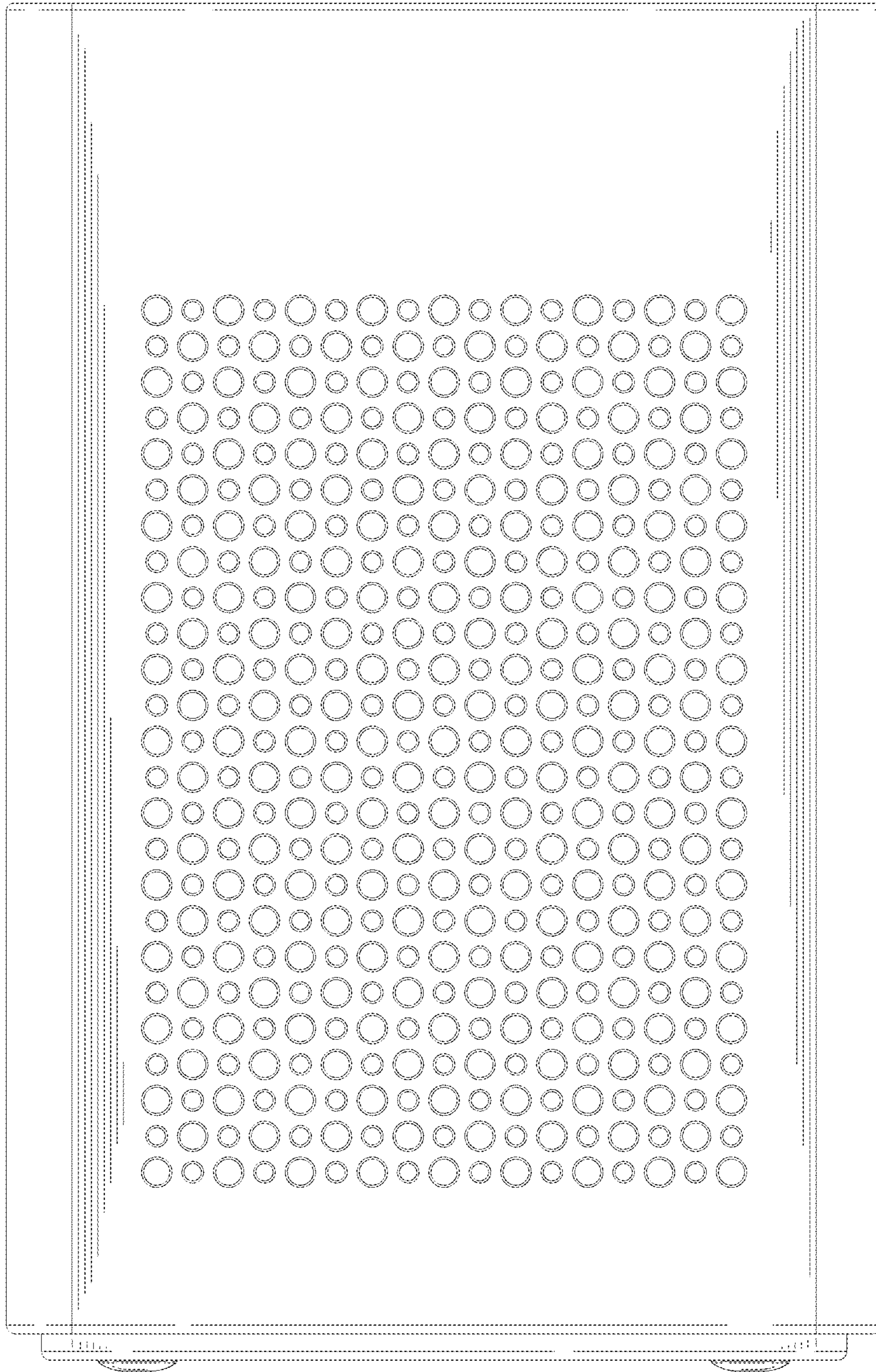


FIG. 25

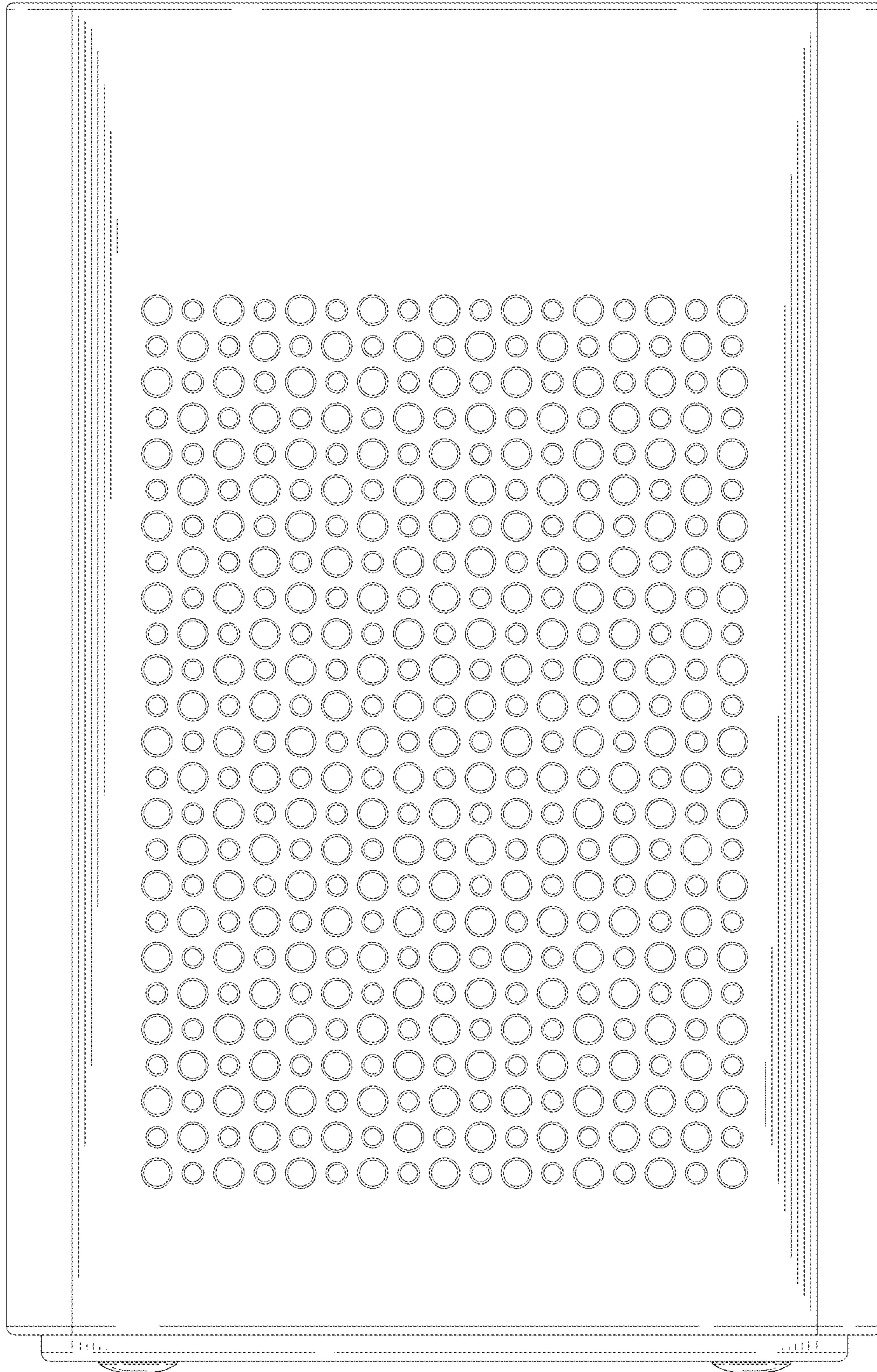


FIG. 26

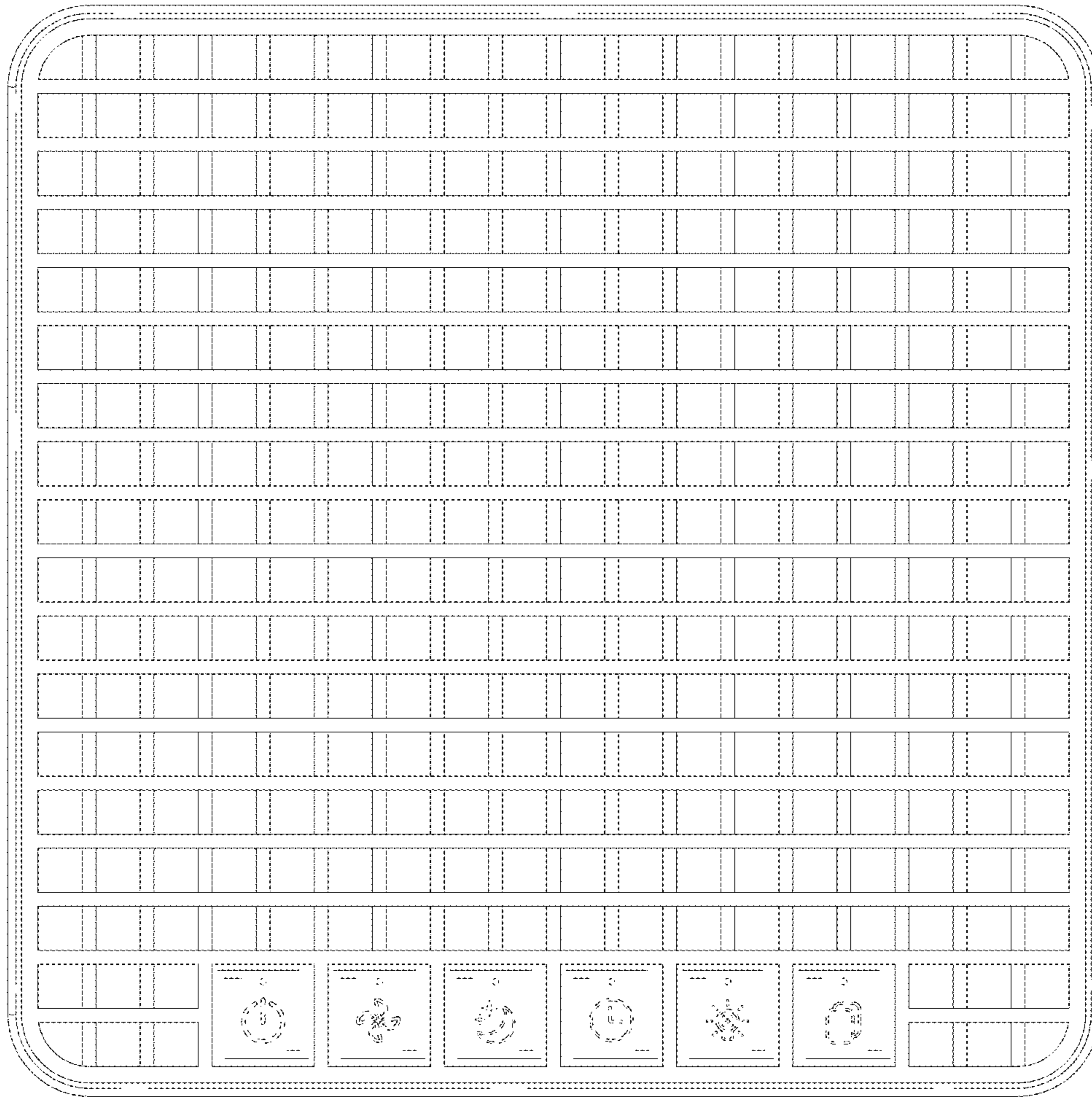


FIG. 27

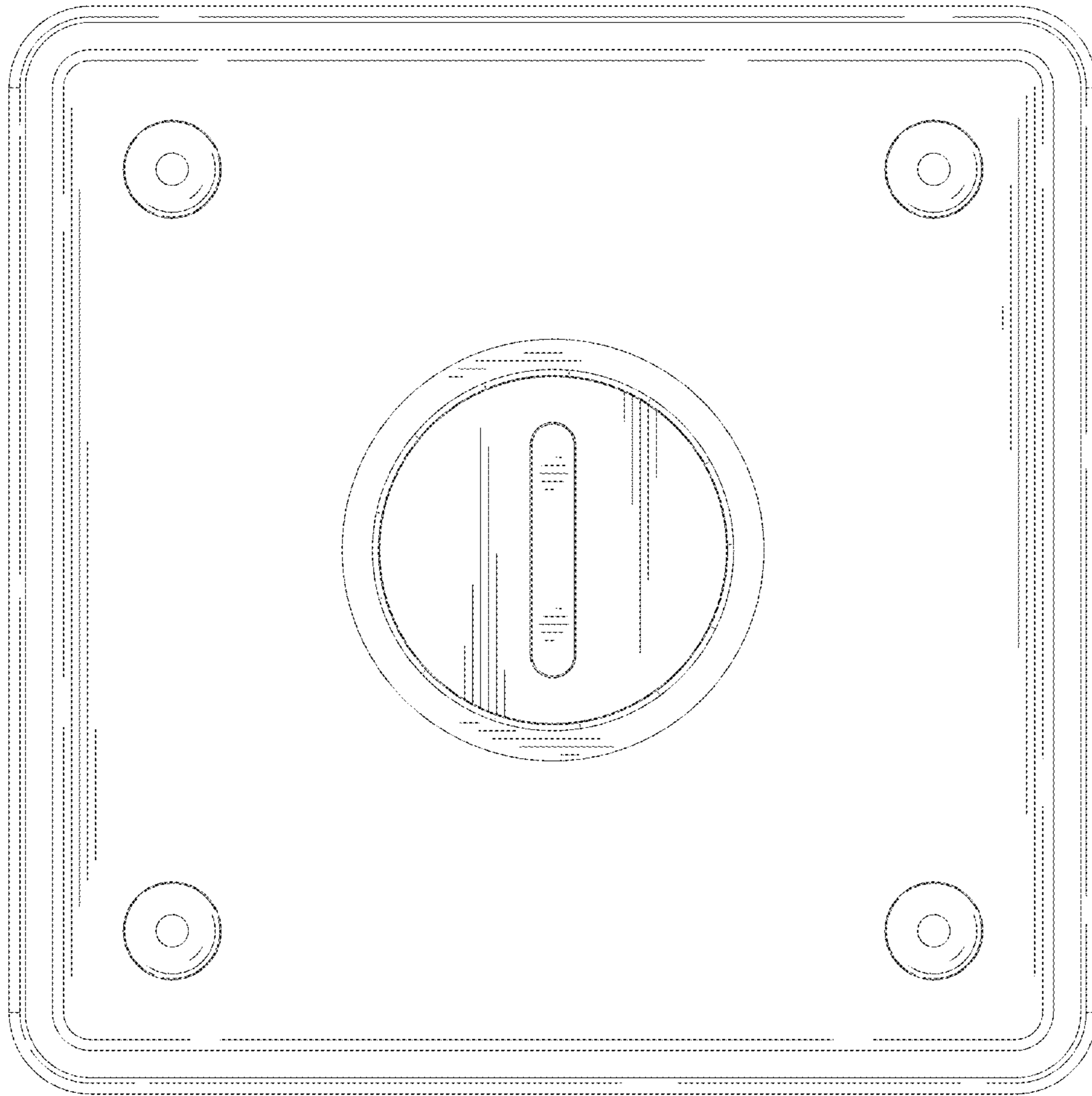


FIG. 28

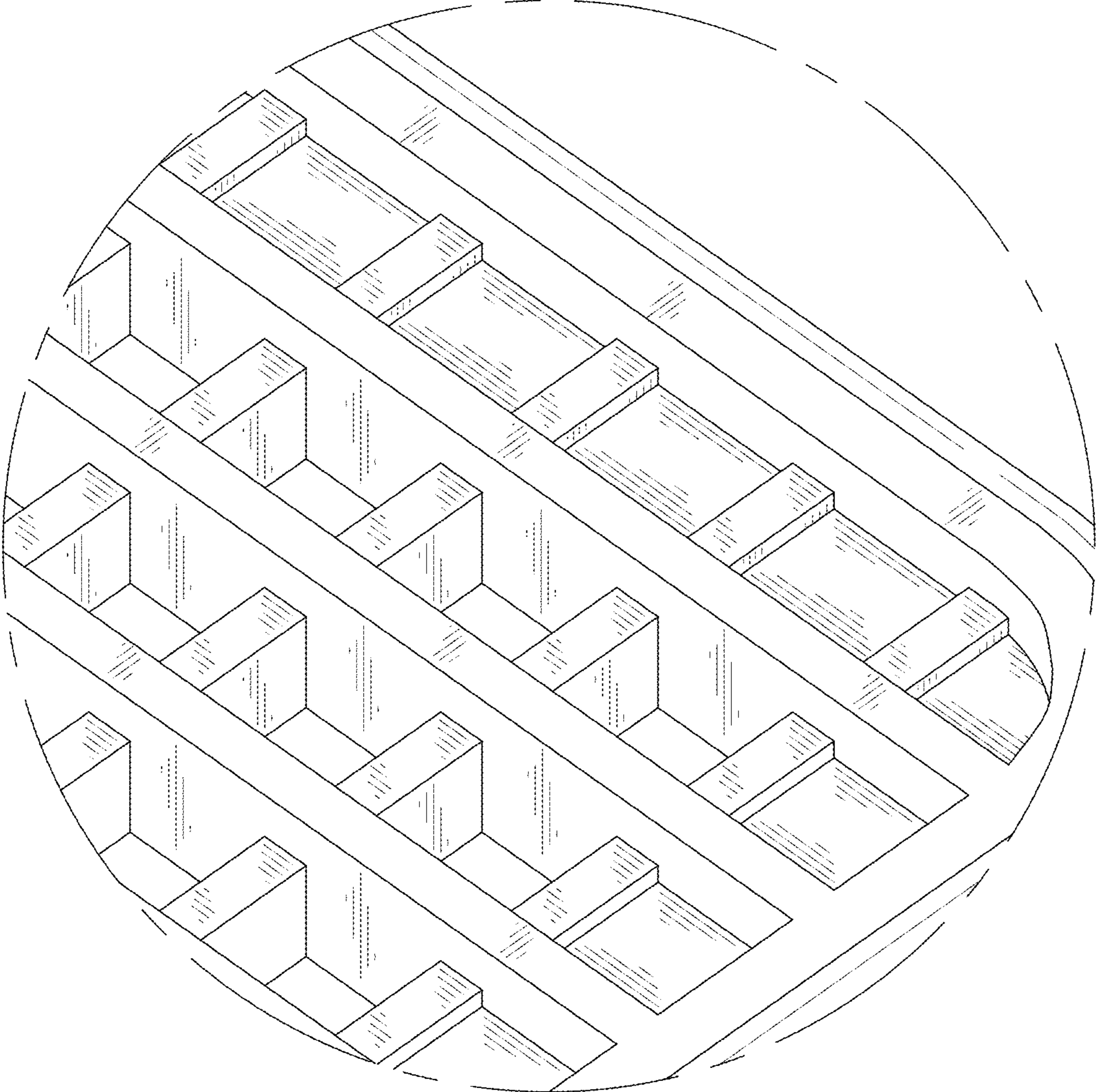


FIG. 29

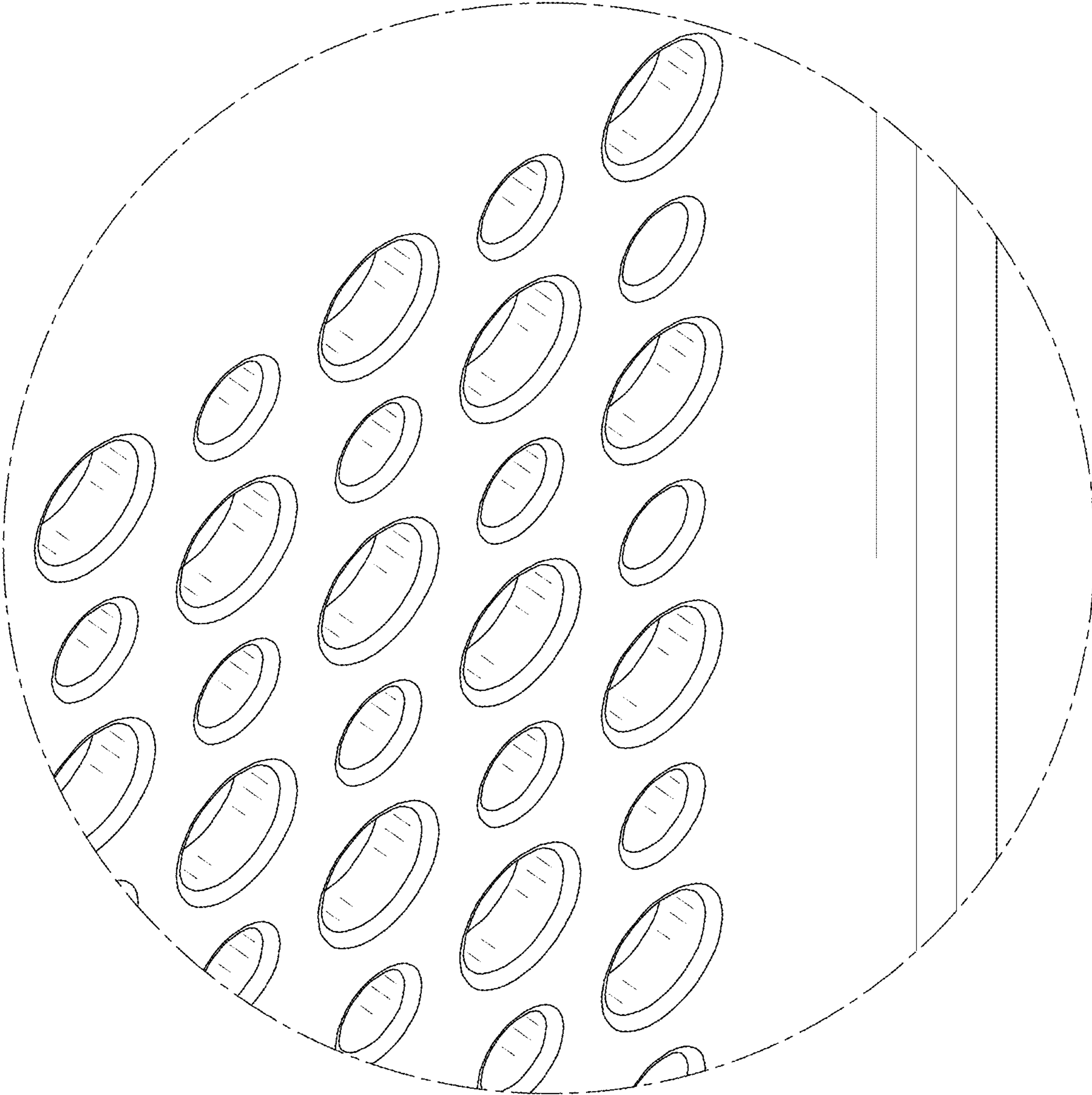


FIG. 30

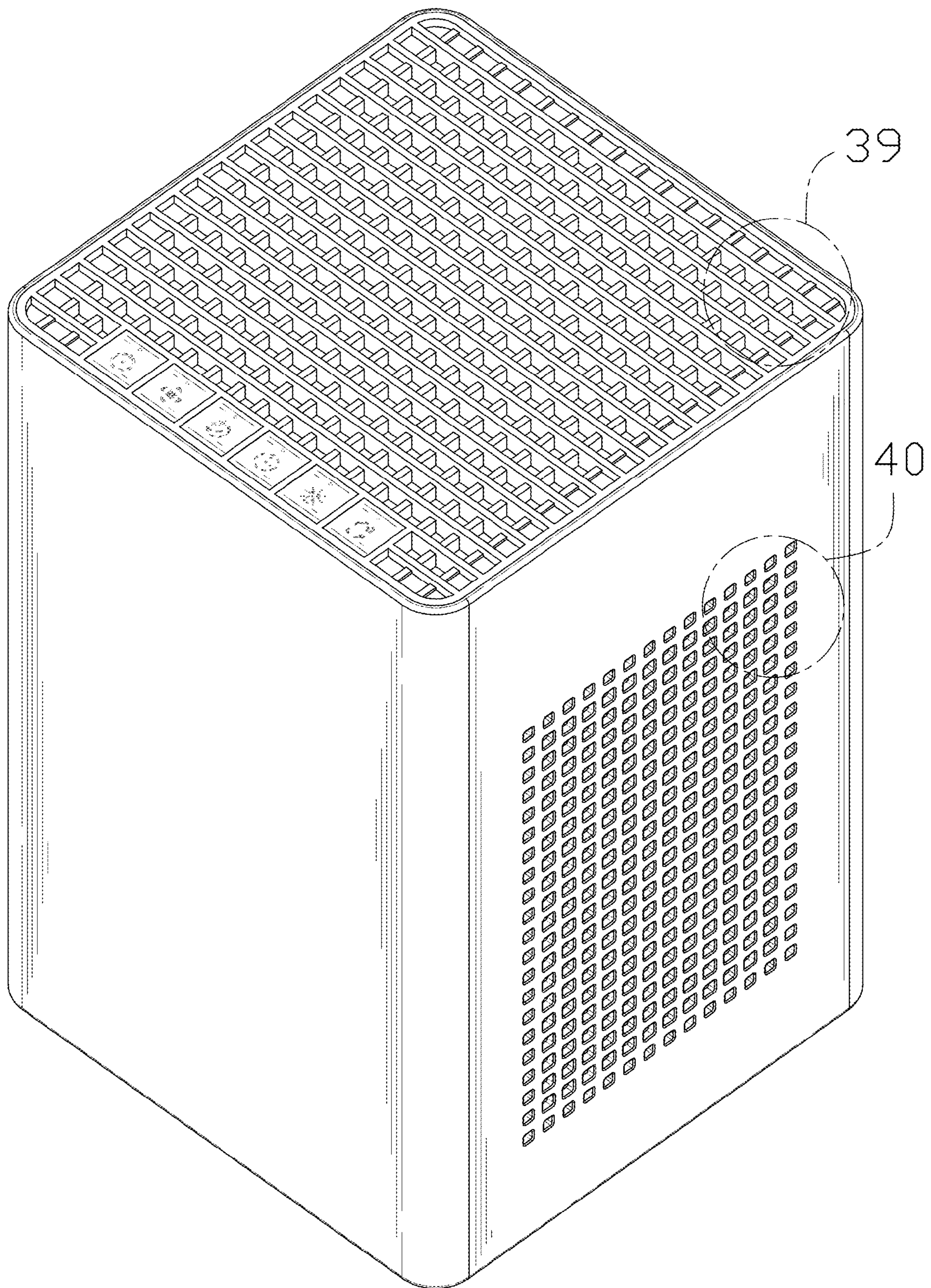


FIG. 31

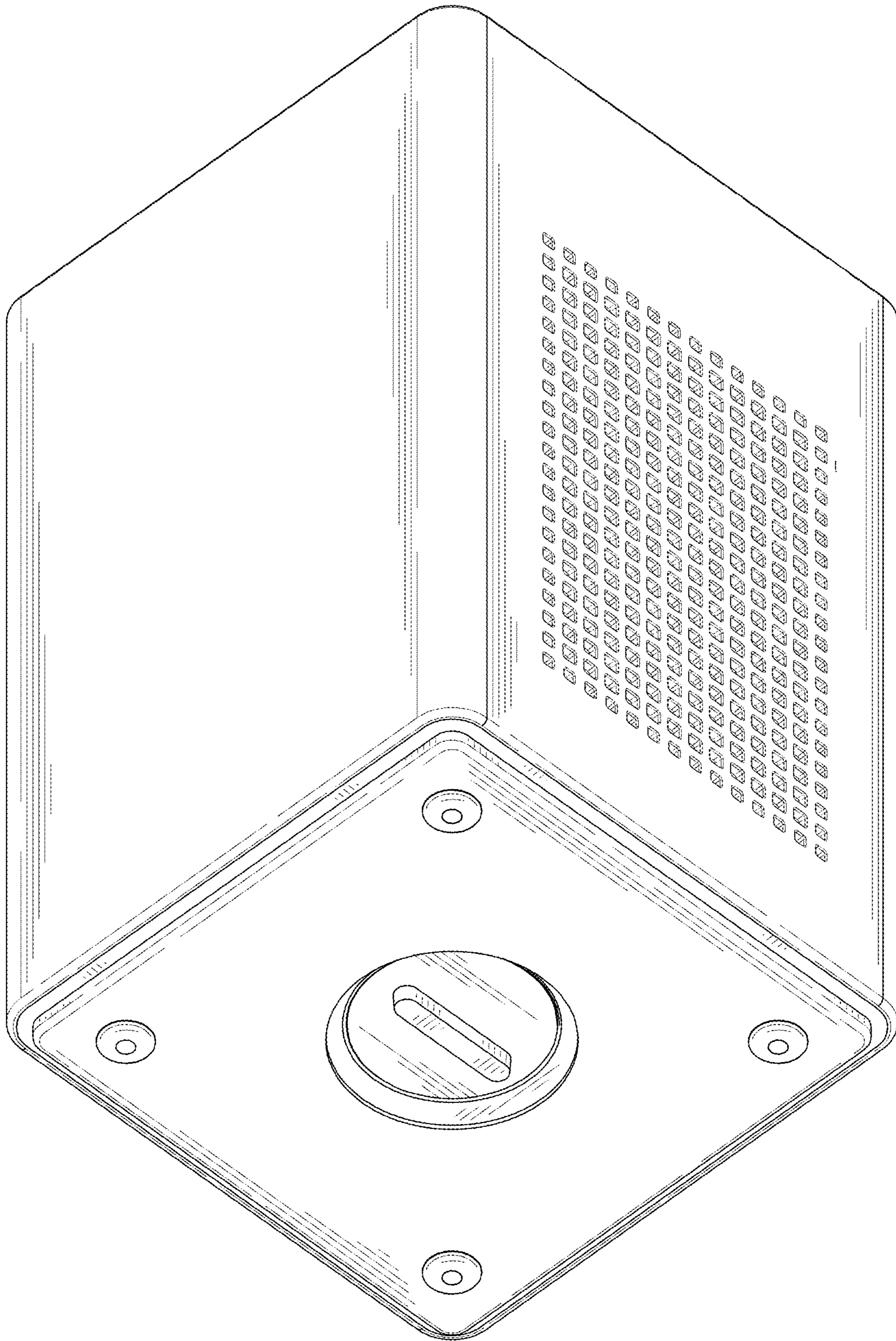


FIG. 32

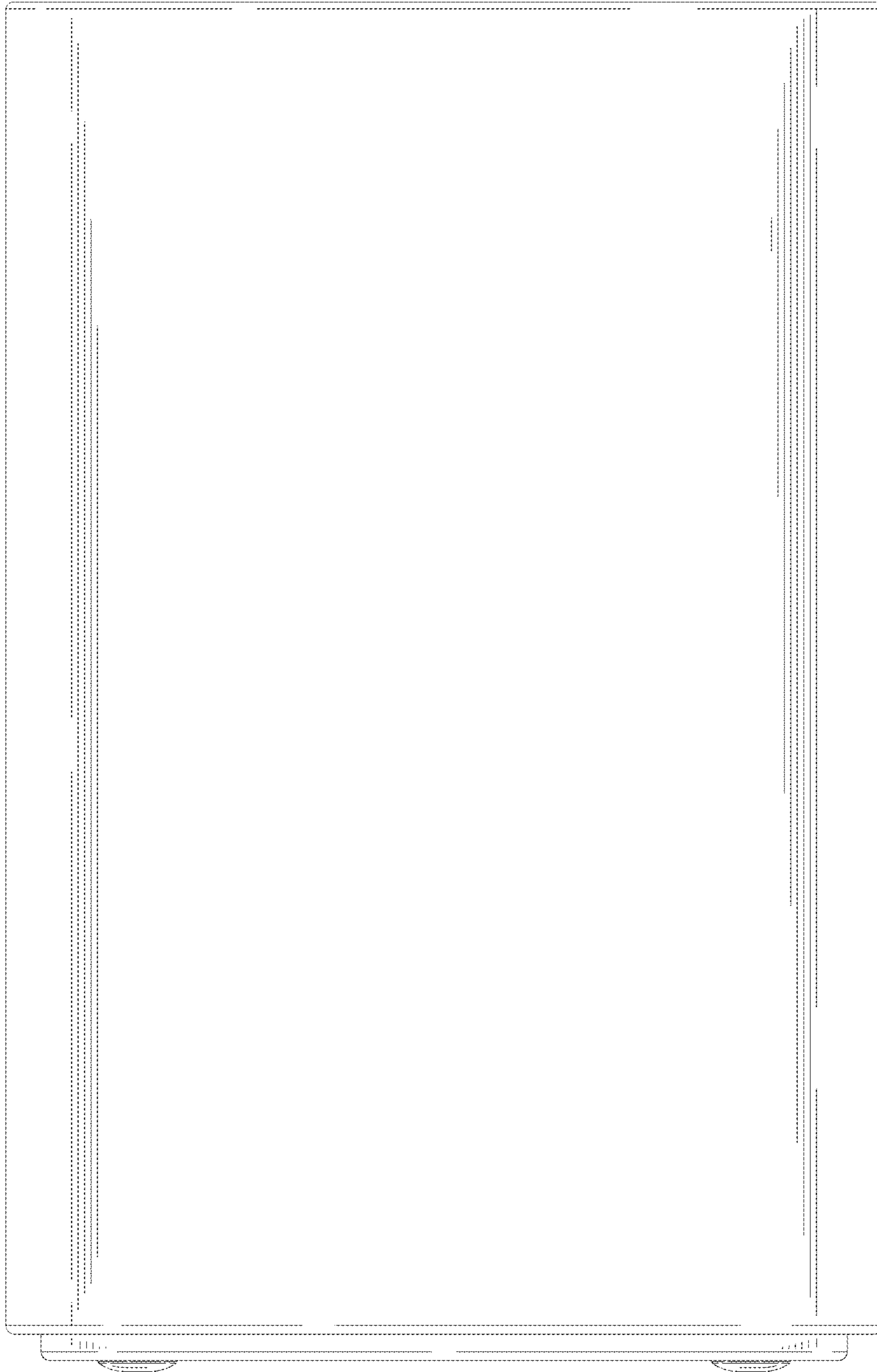


FIG. 33

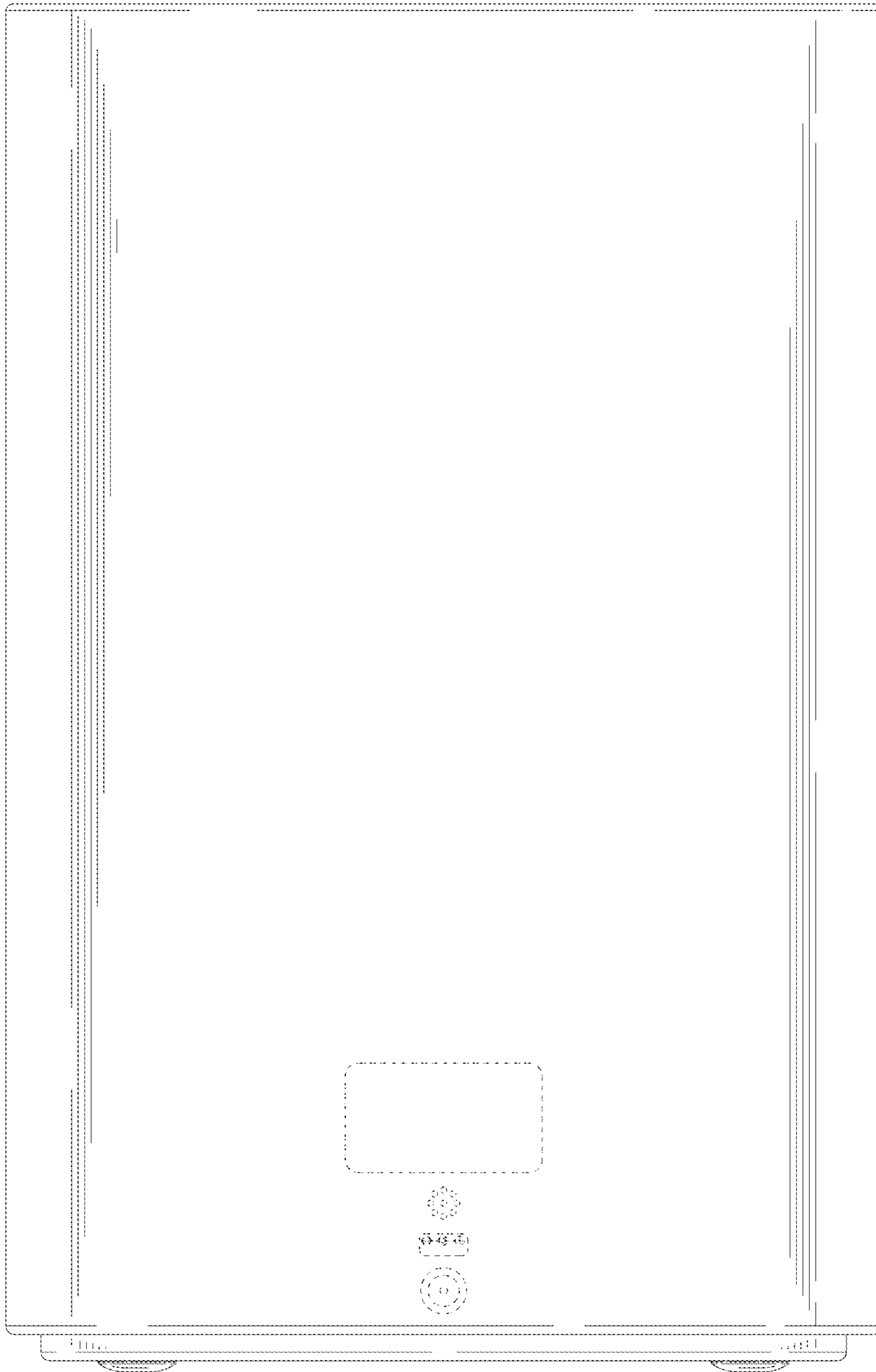


FIG. 34

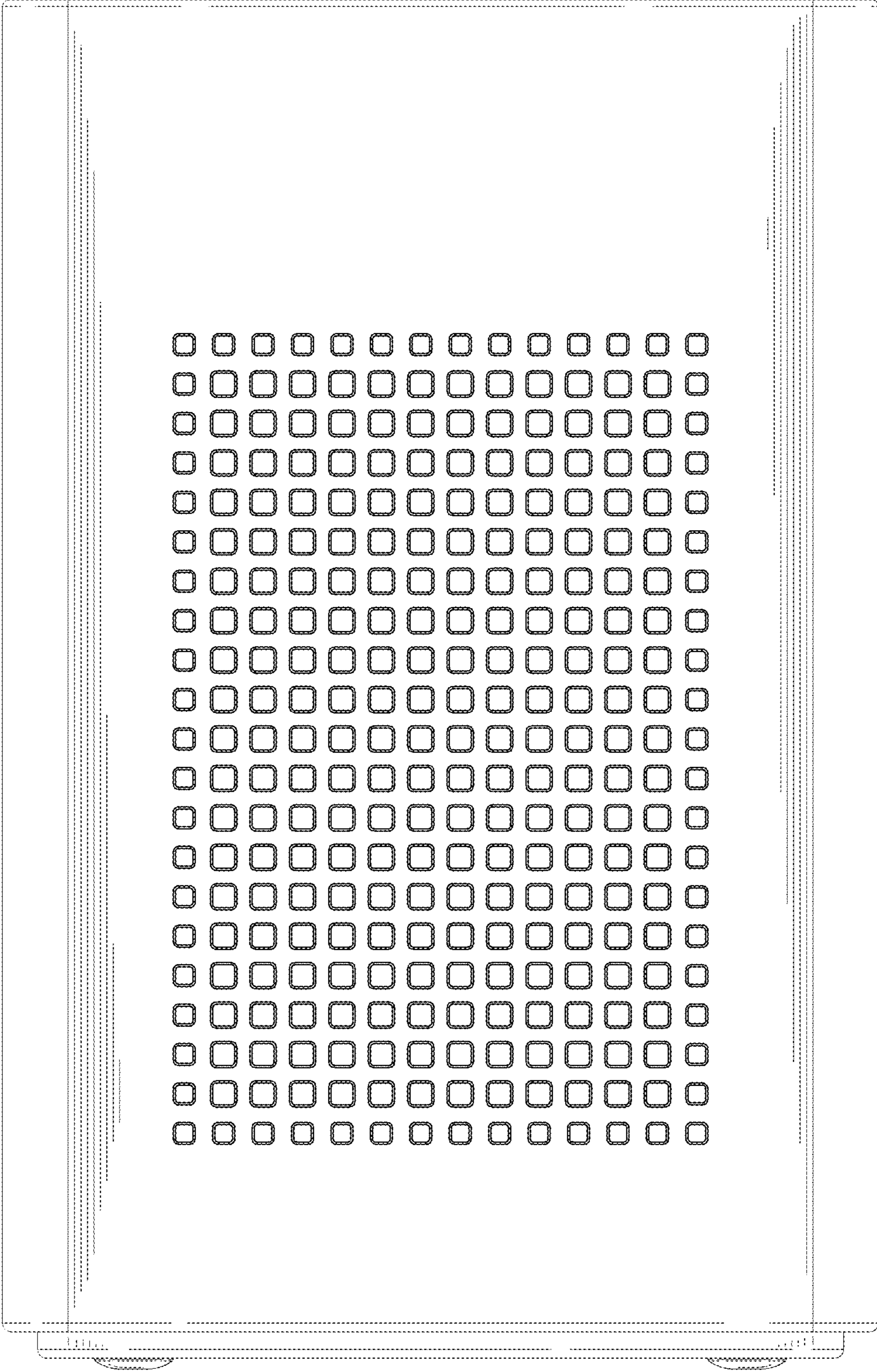


FIG. 35

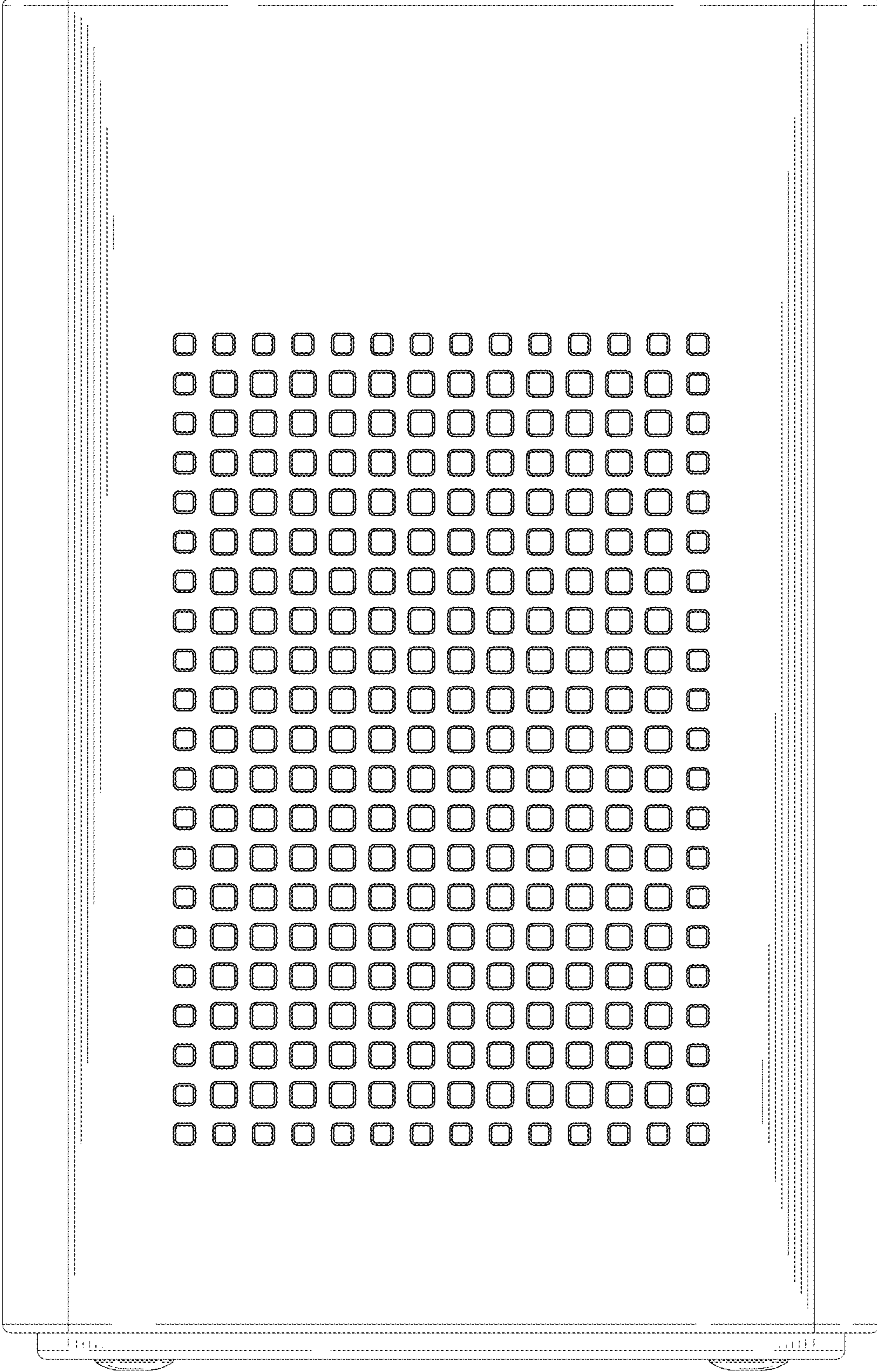


FIG. 36

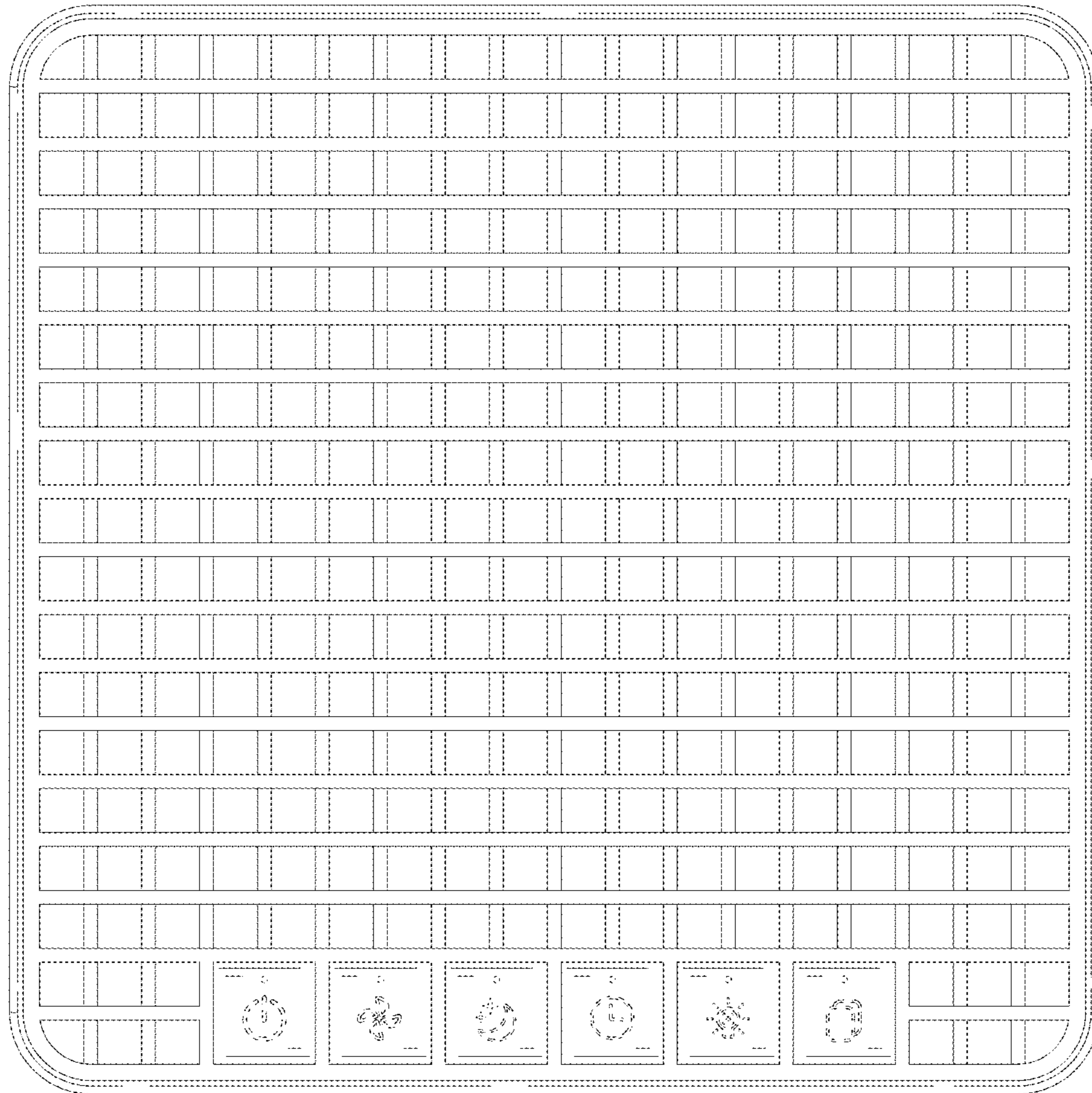


FIG. 37

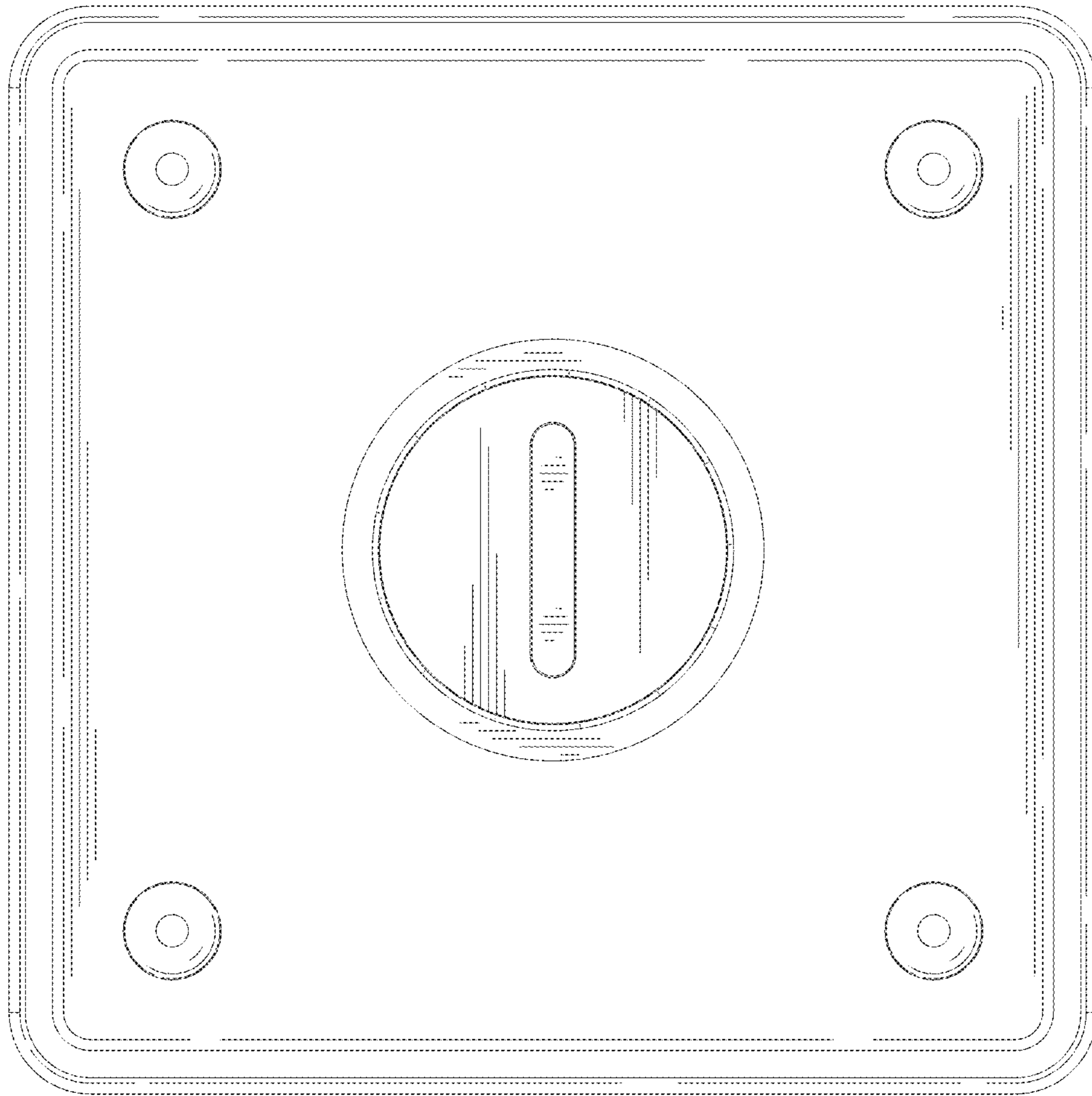


FIG. 38

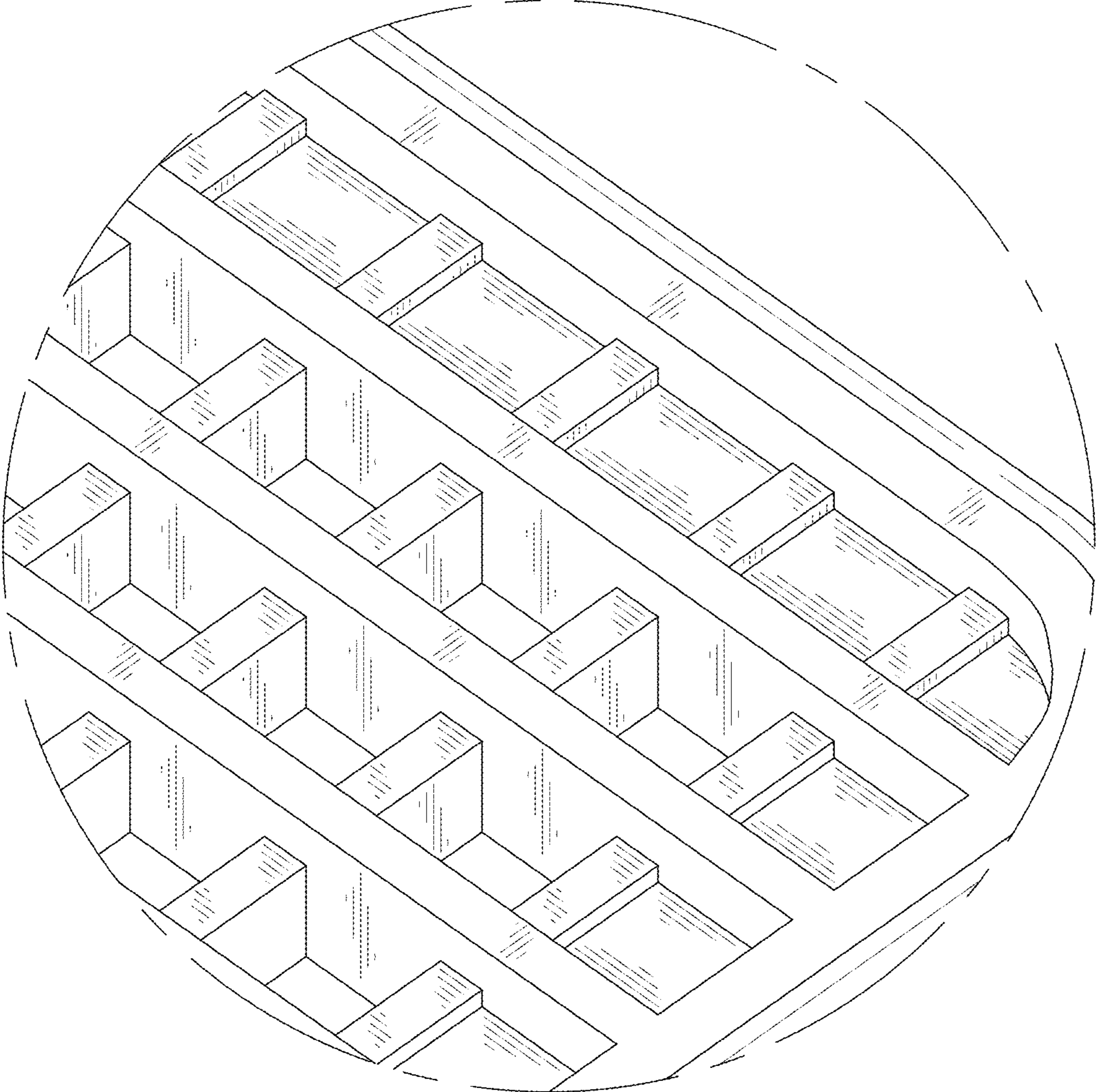


FIG. 39

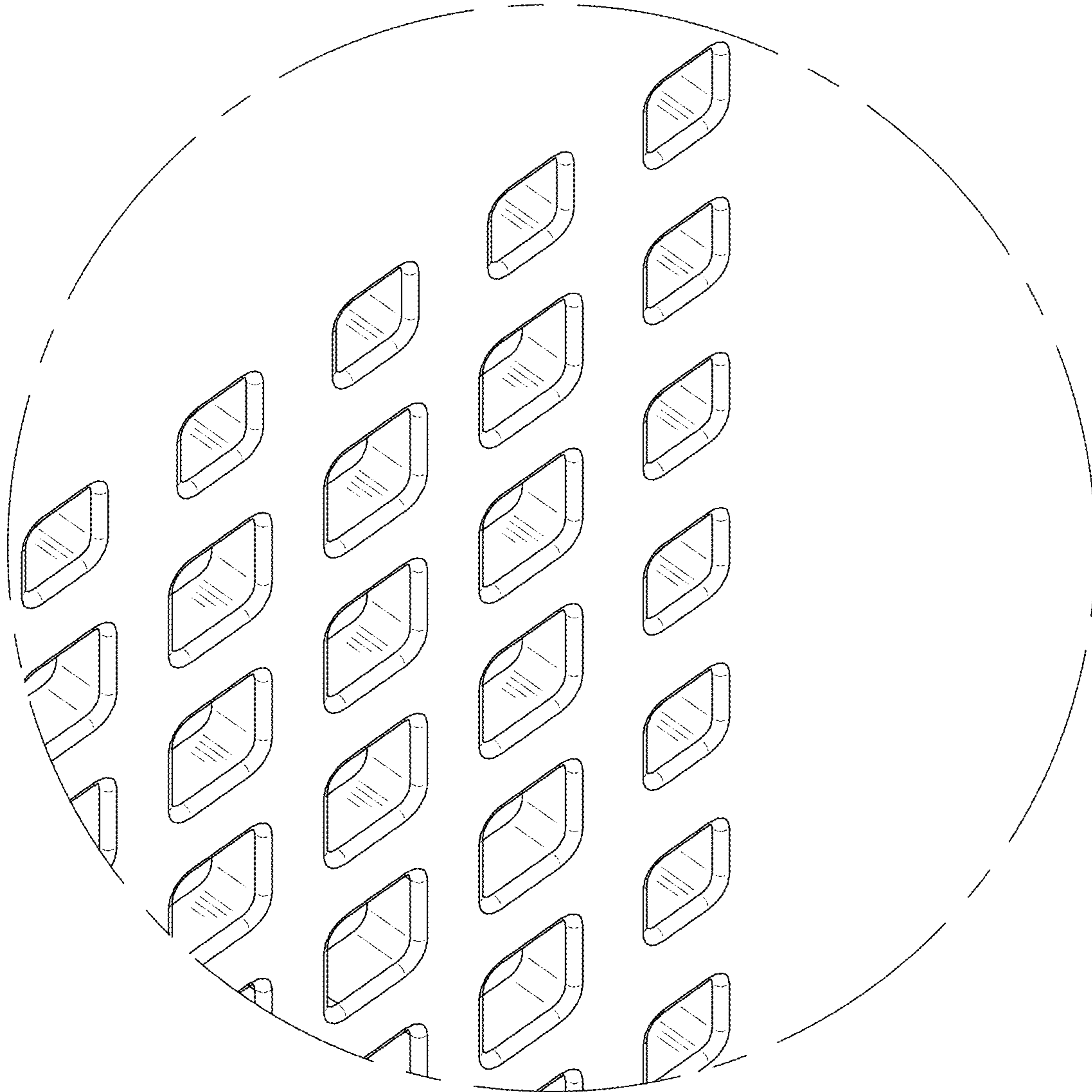


FIG. 40

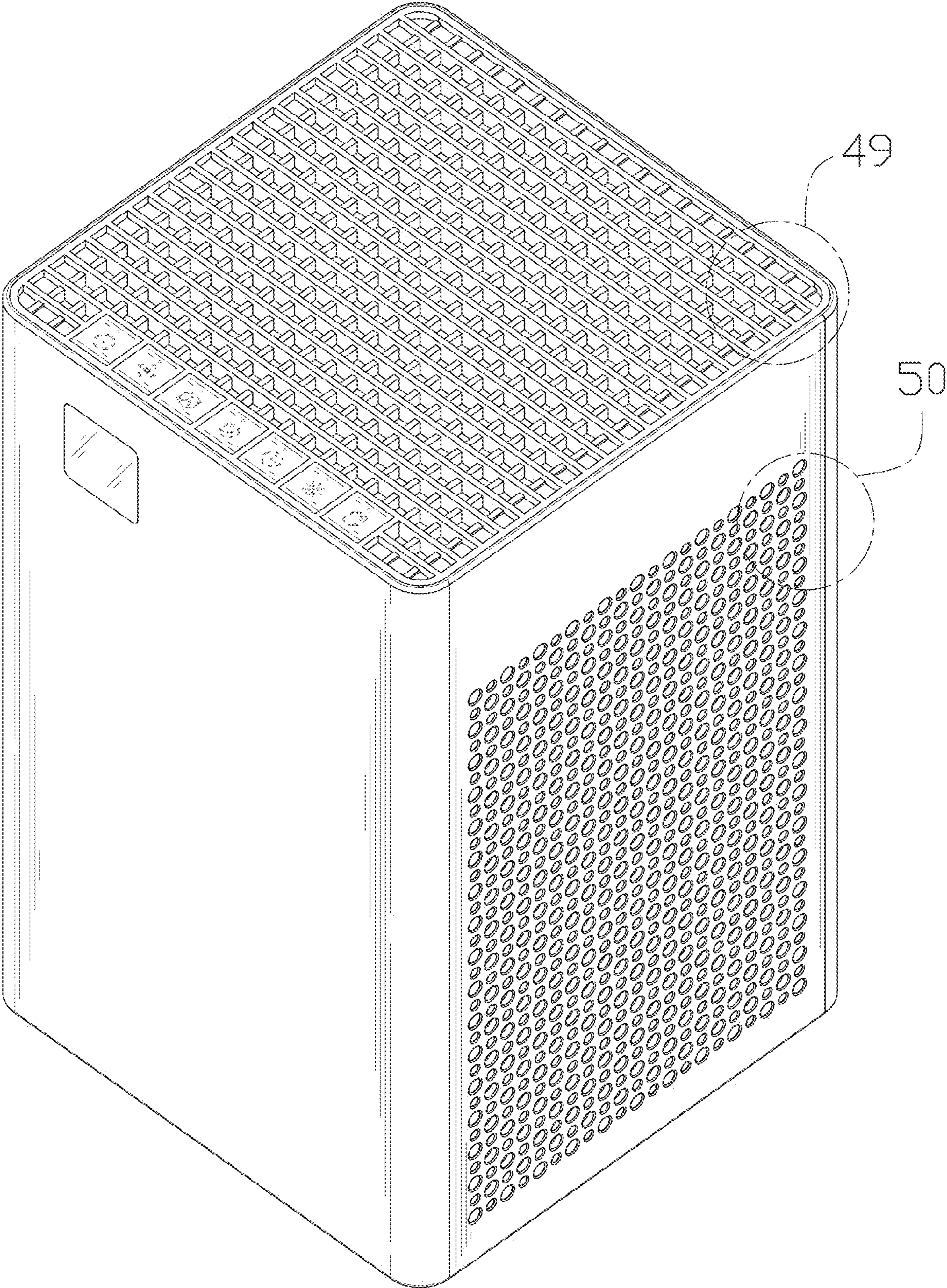


FIG. 41

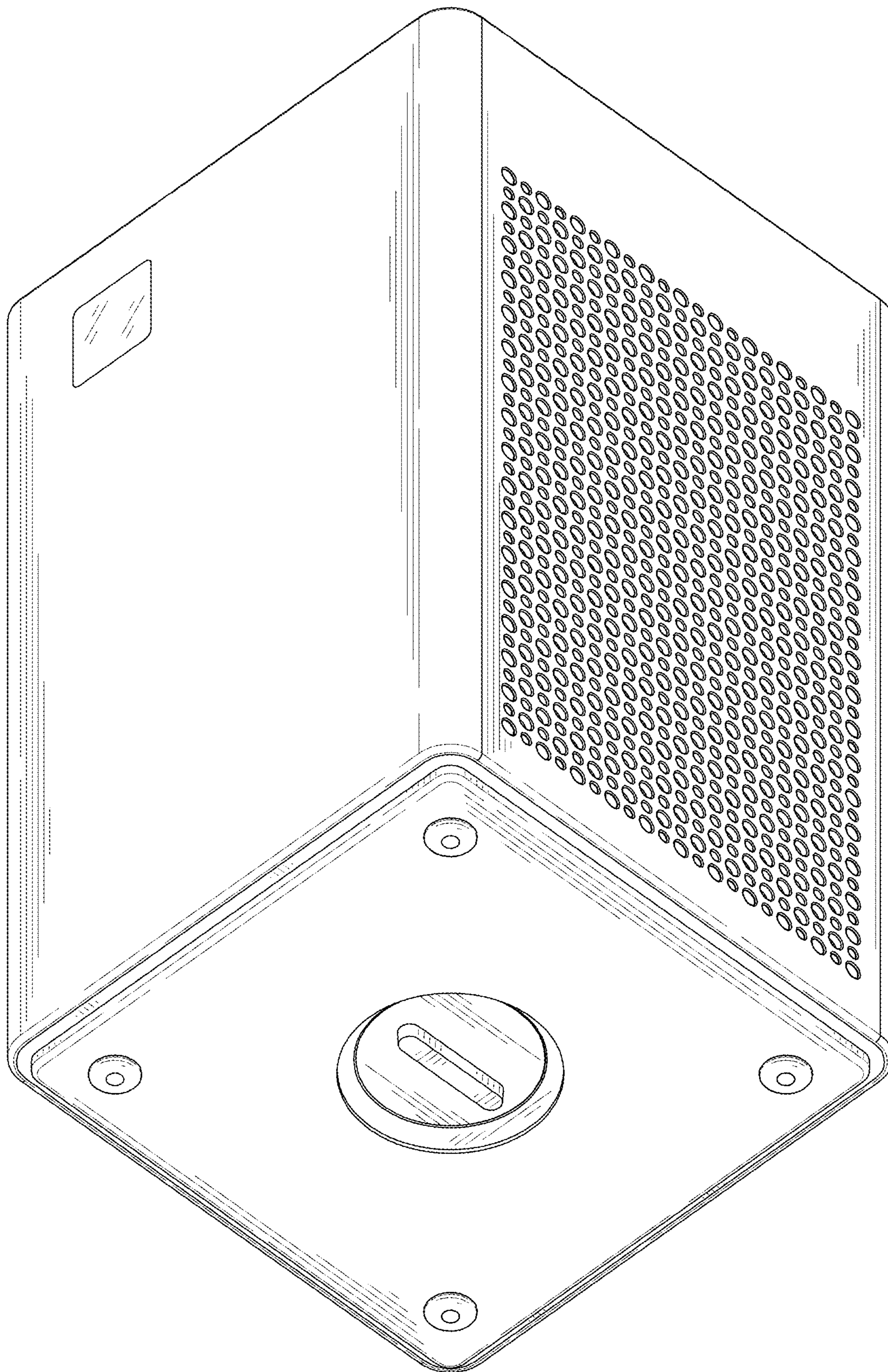


FIG. 42

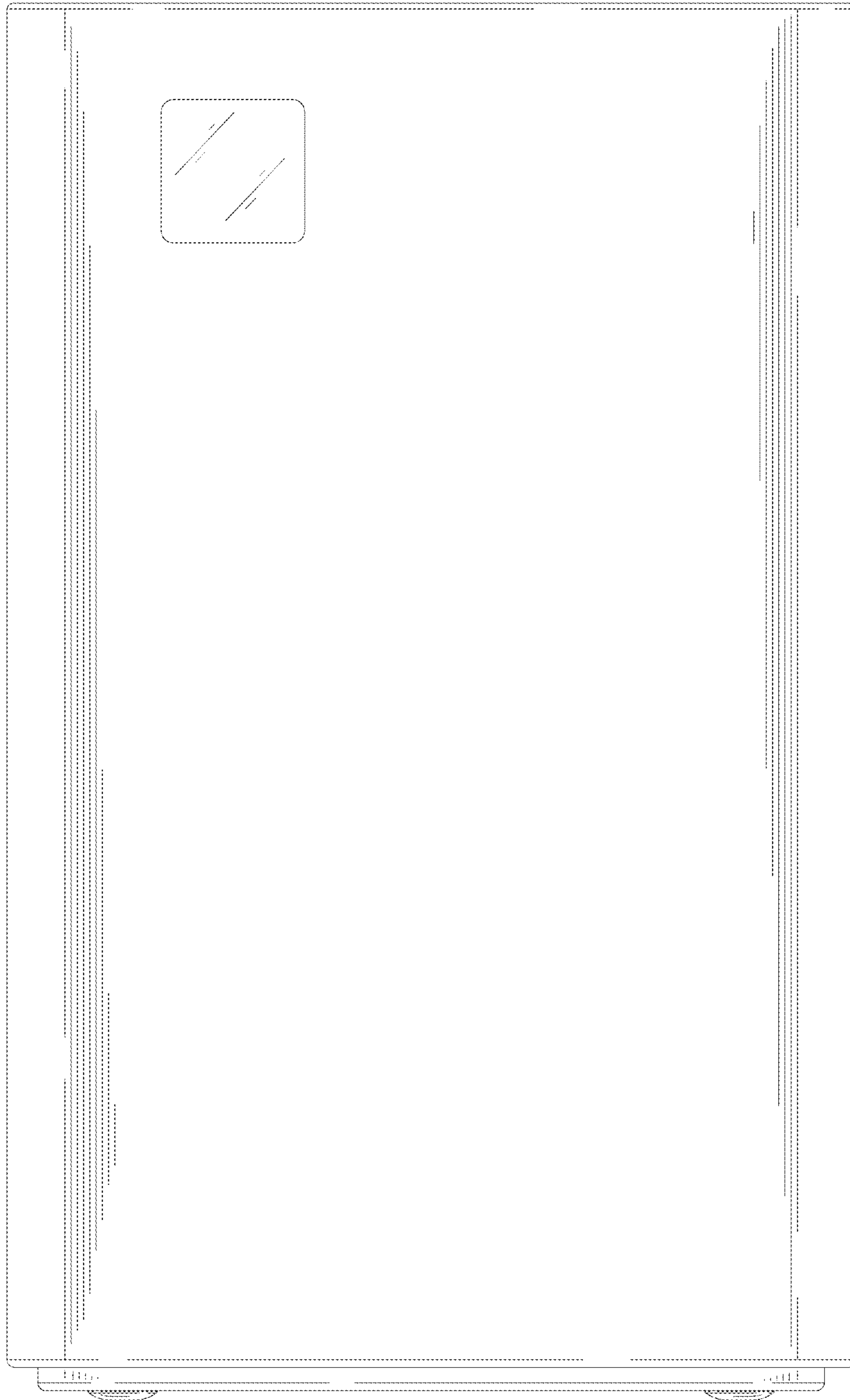


FIG. 43

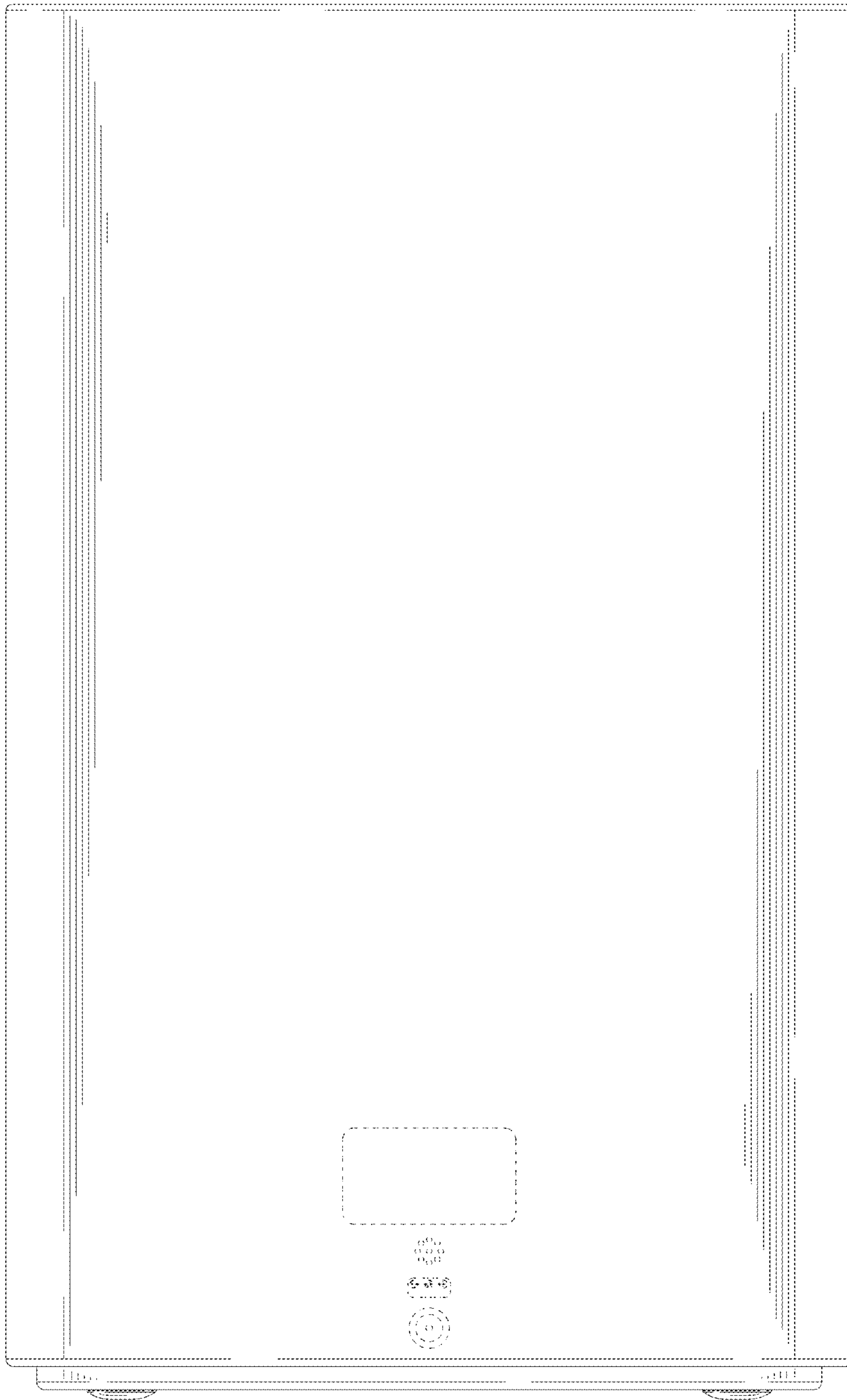


FIG. 44

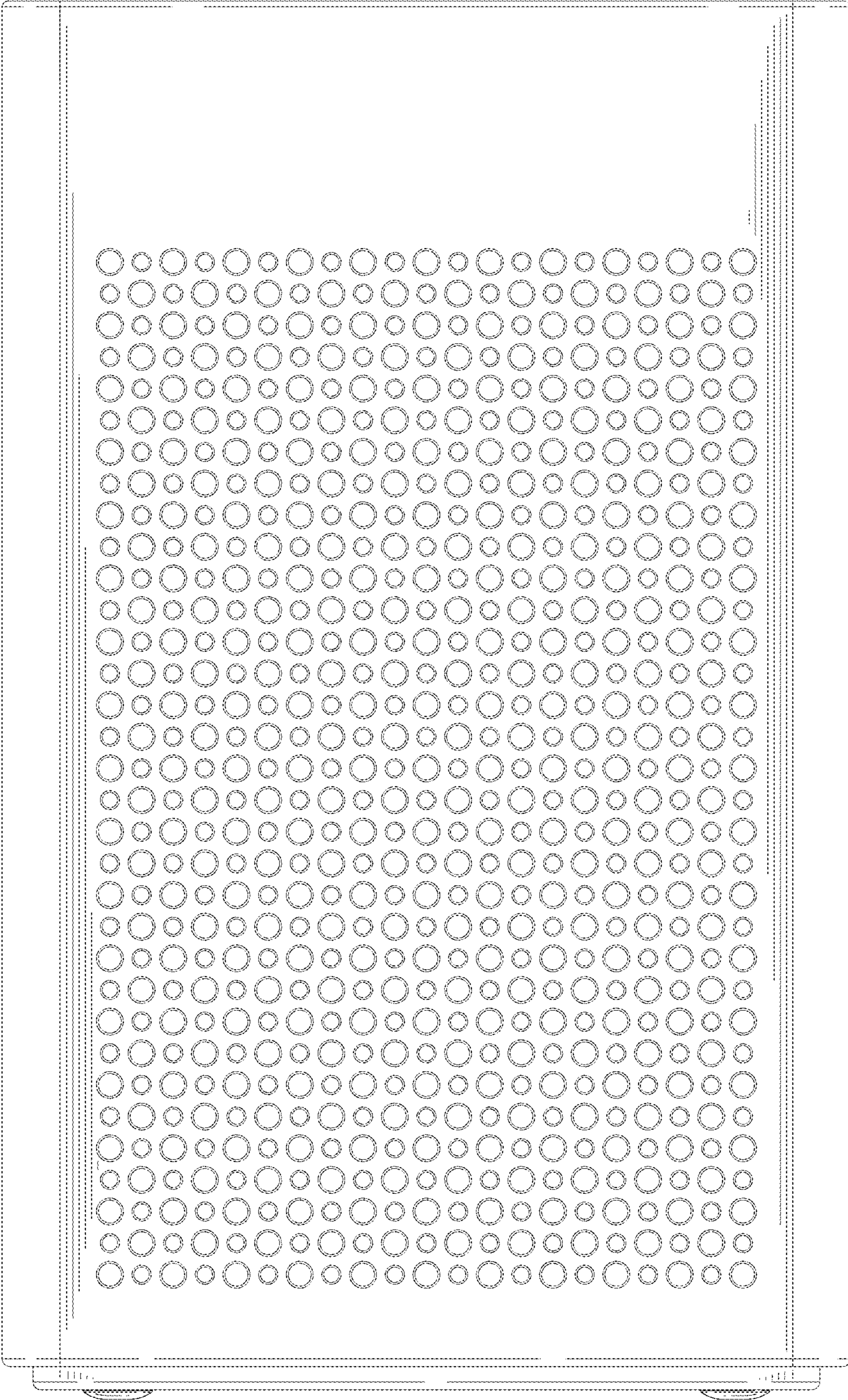


FIG. 45

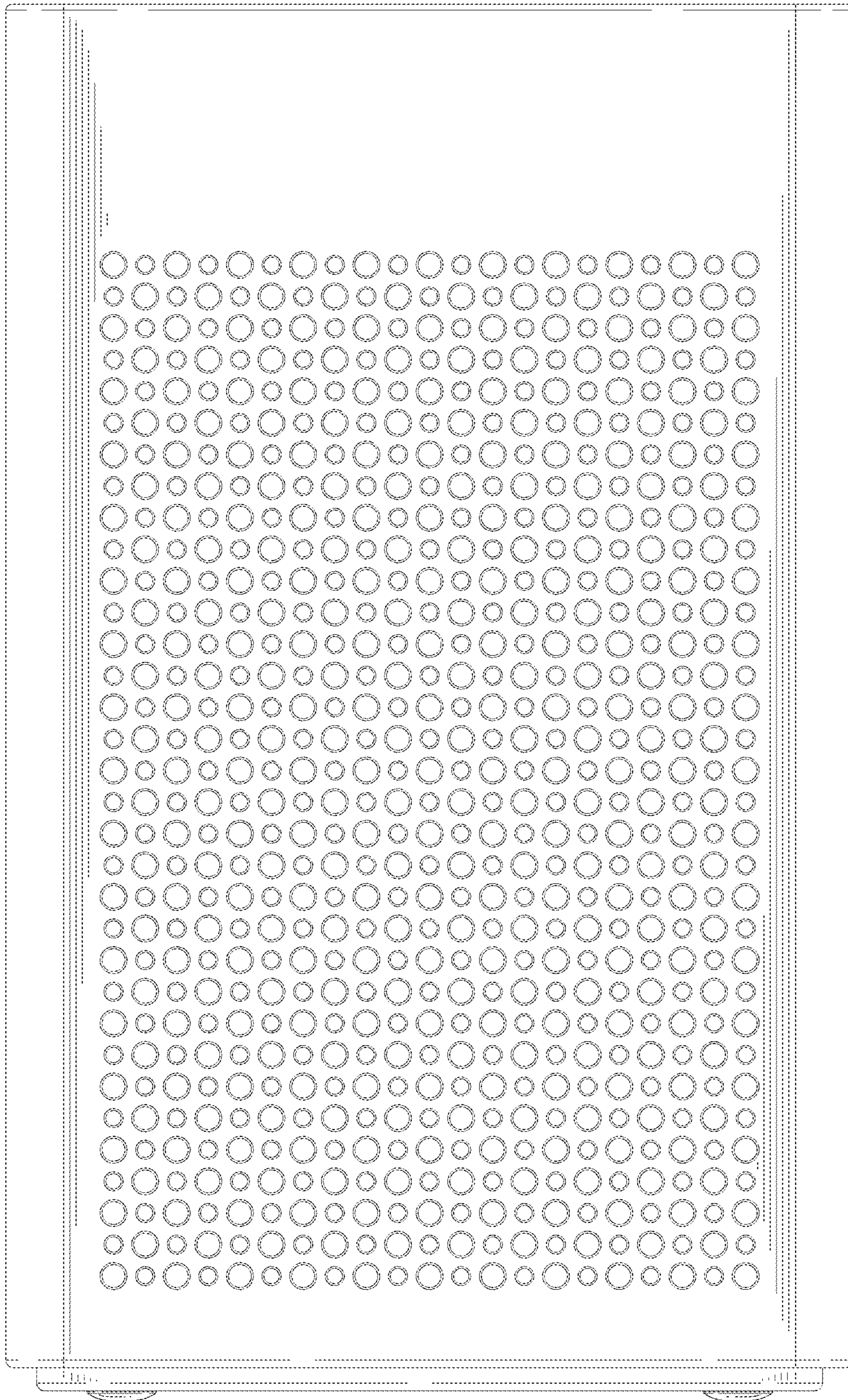


FIG. 46

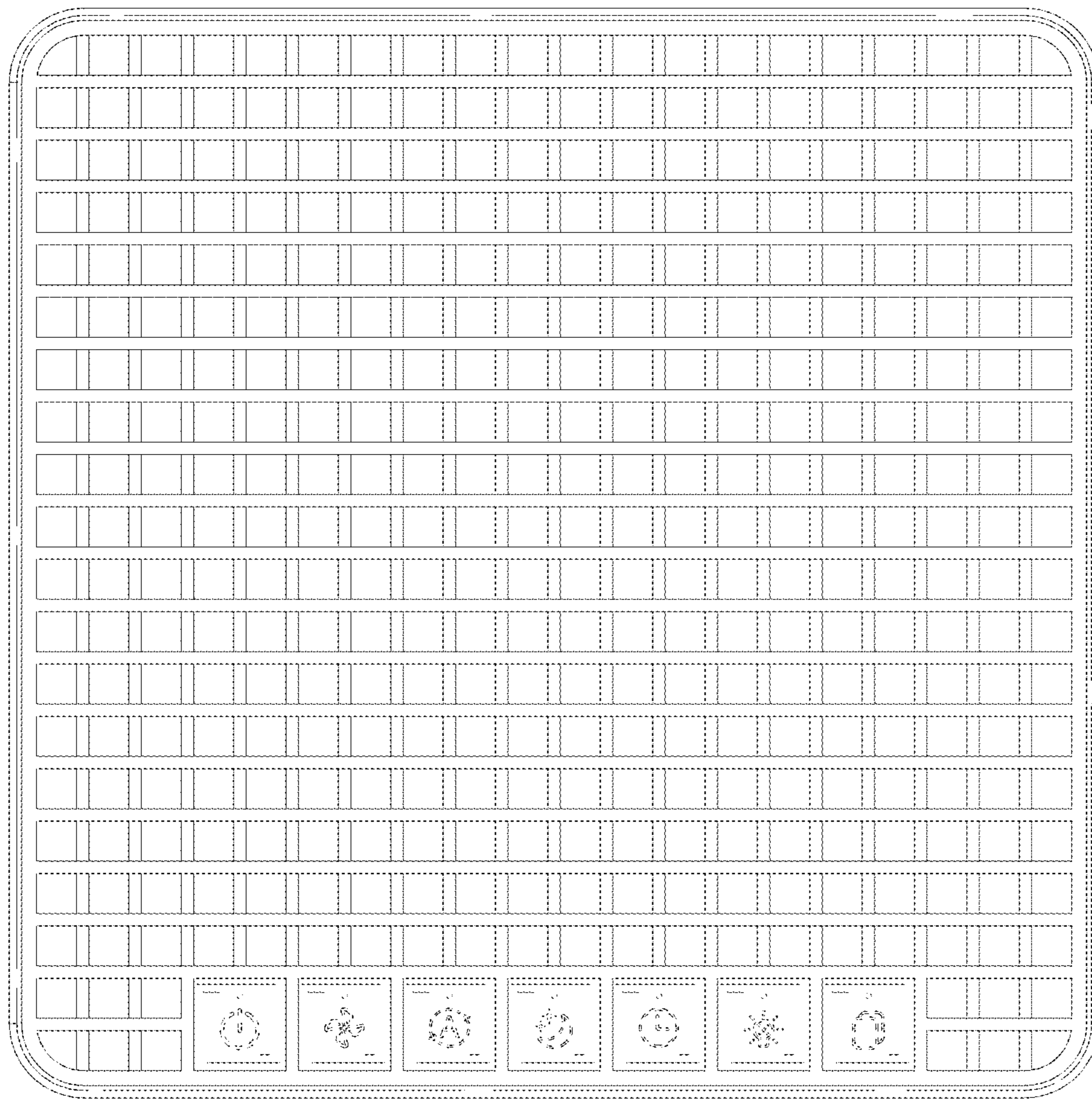


FIG. 47

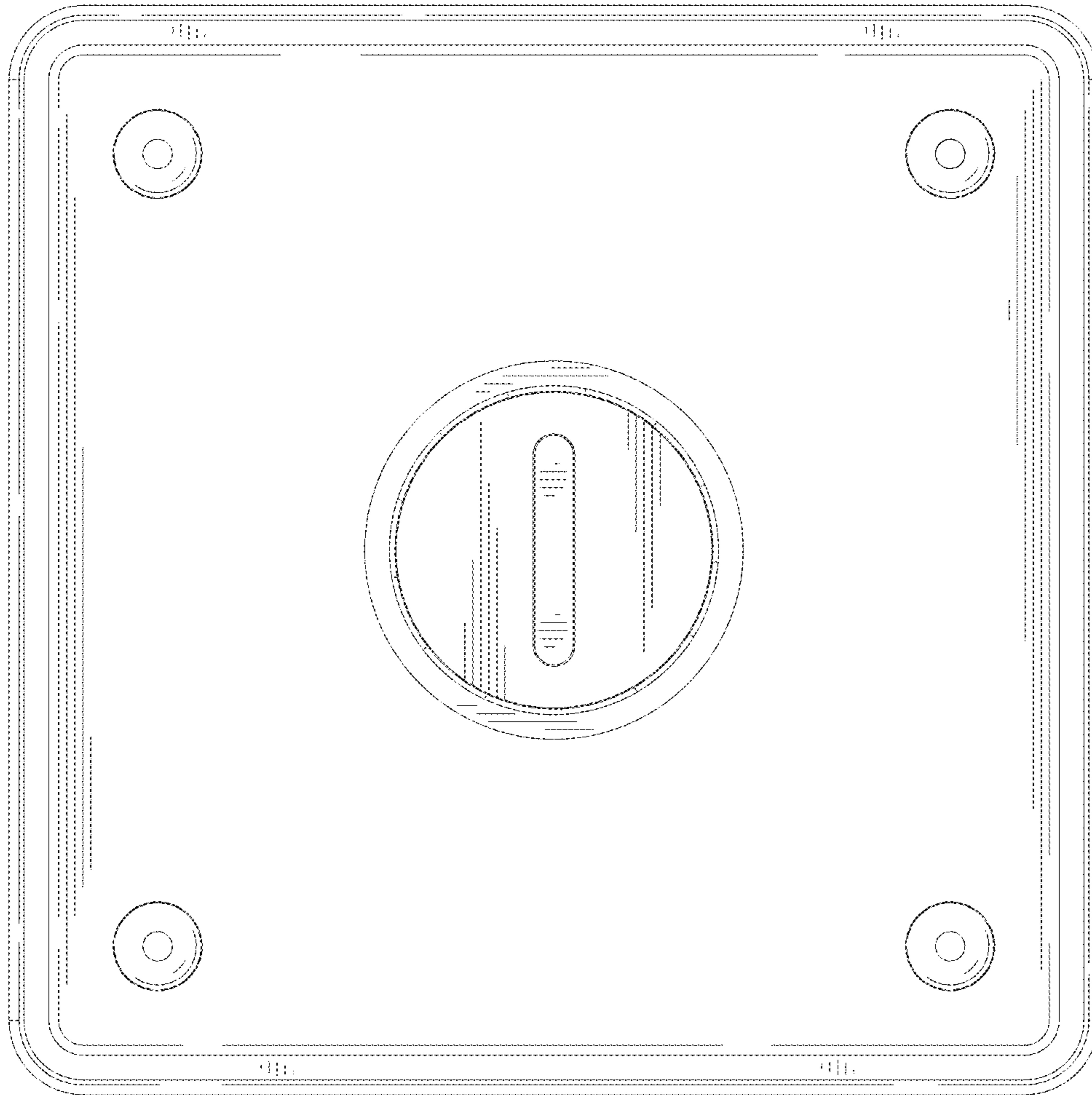


FIG. 48

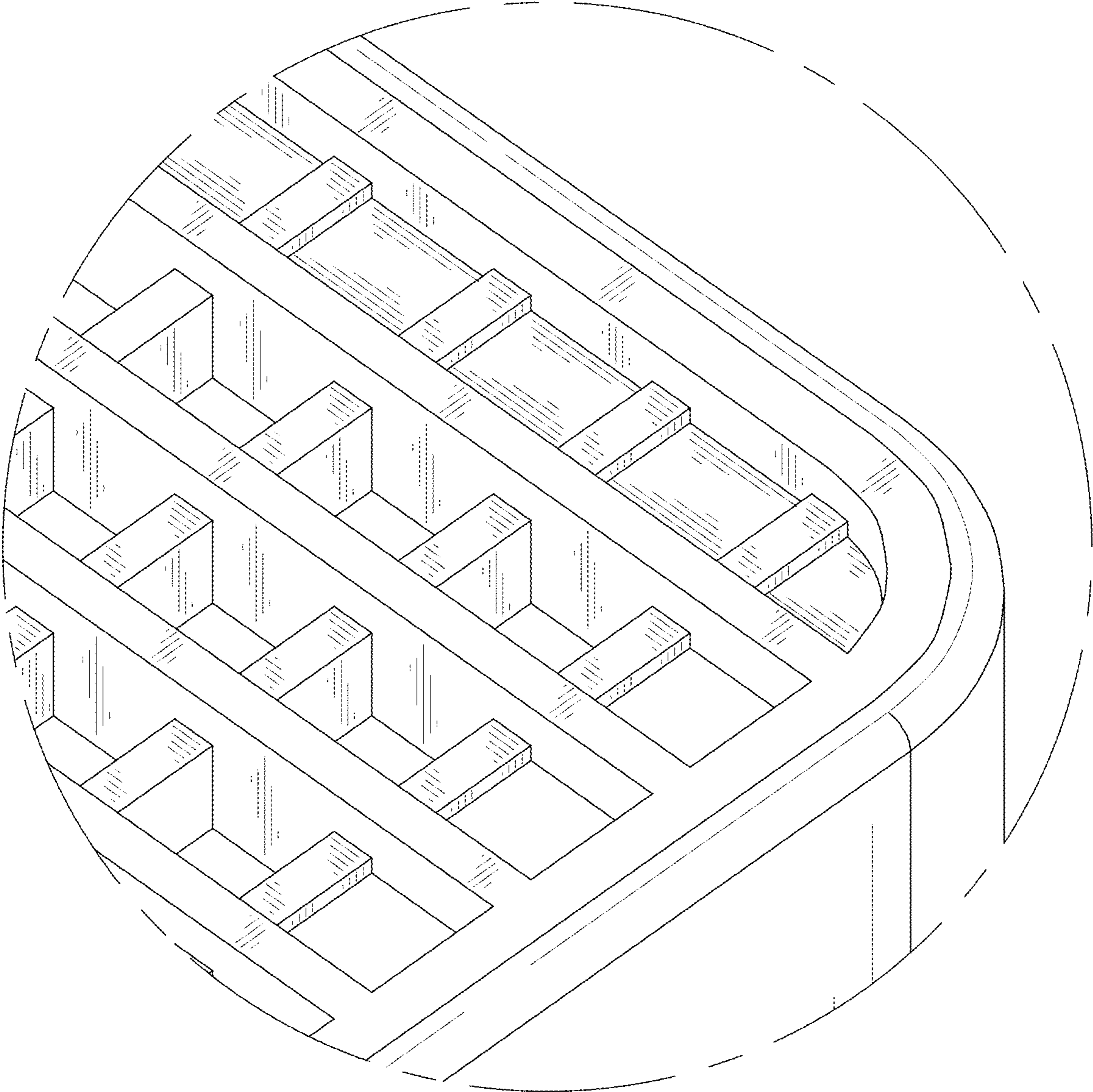


FIG. 49

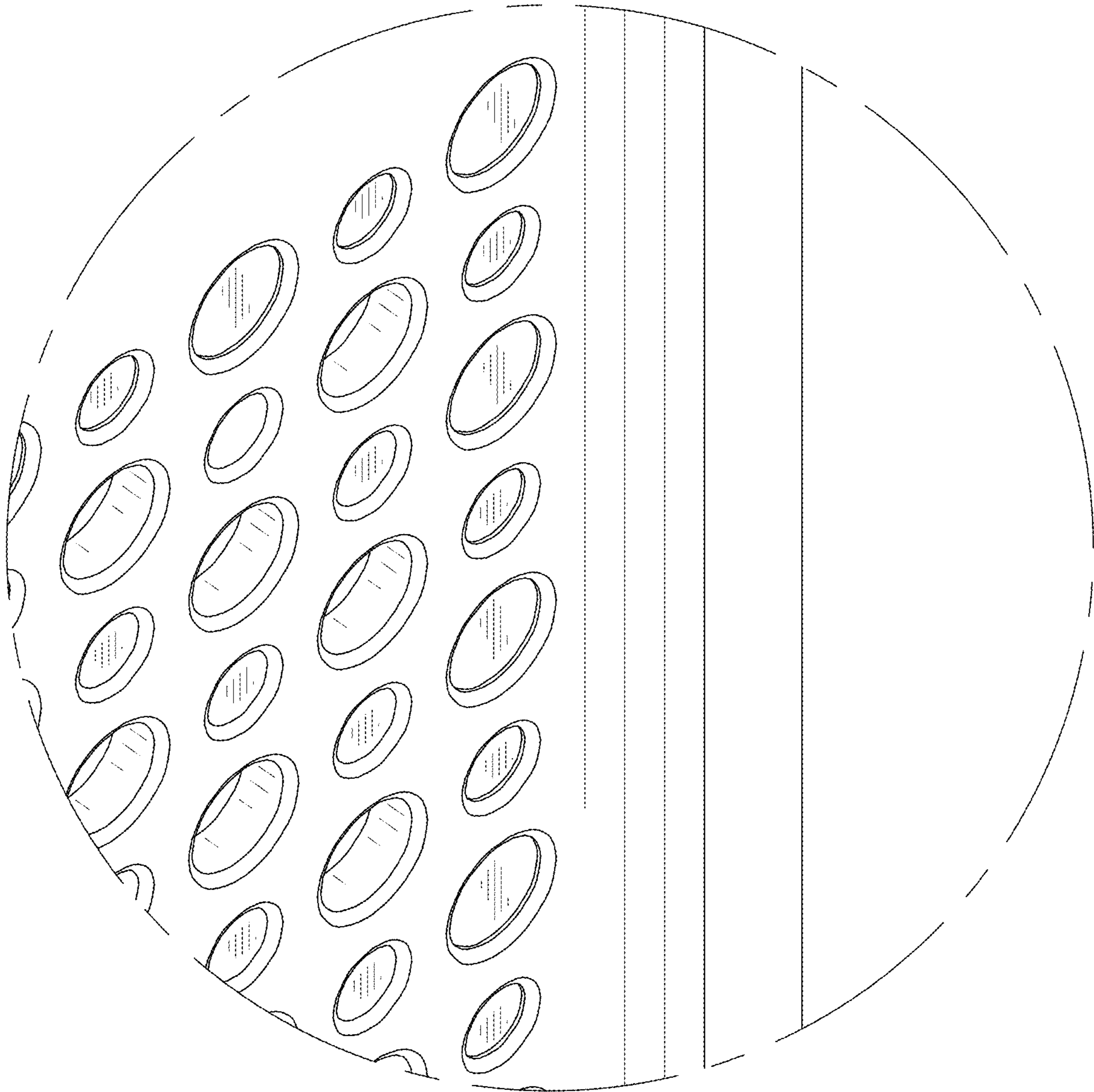


FIG. 50

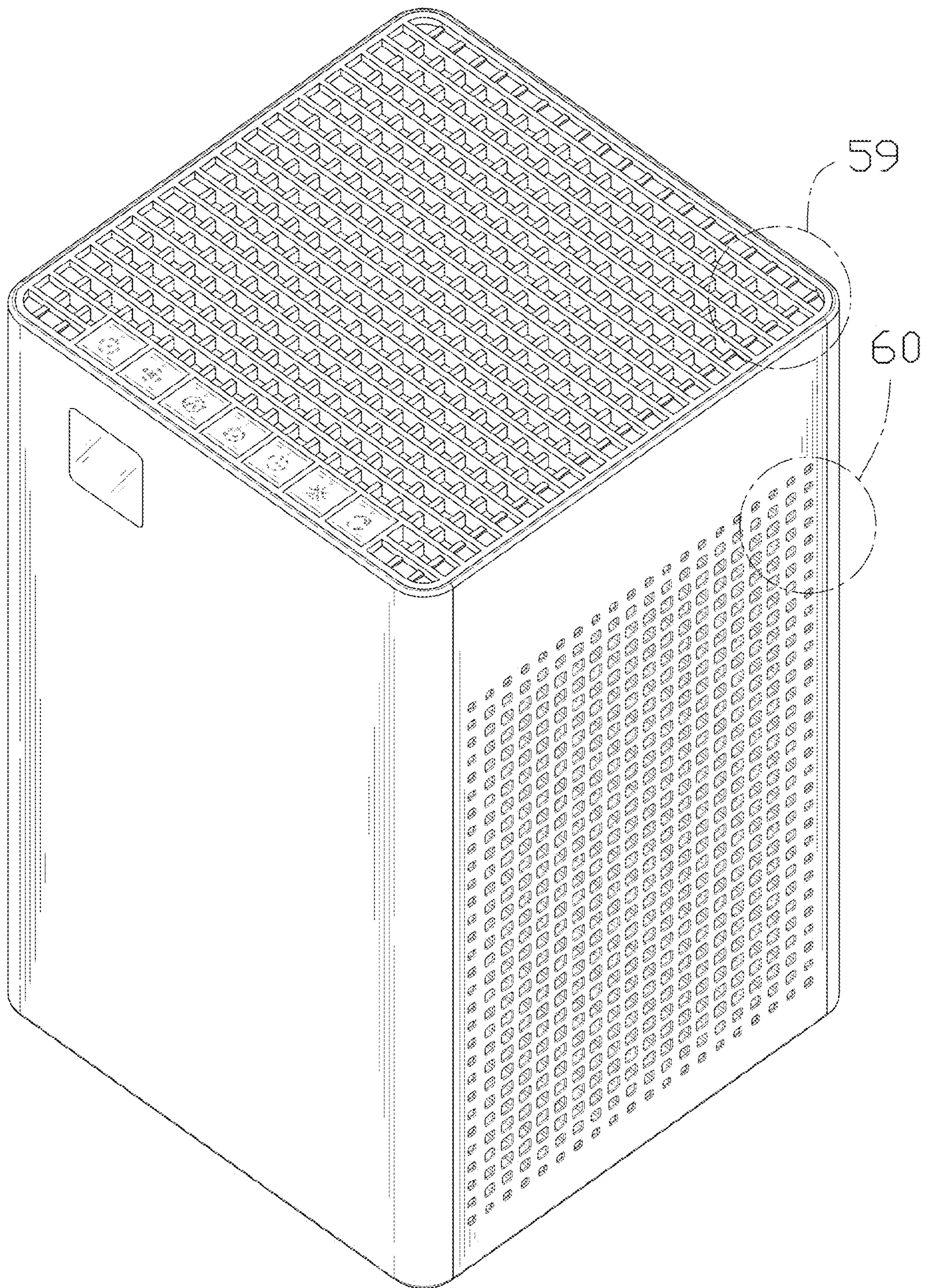


FIG. 51

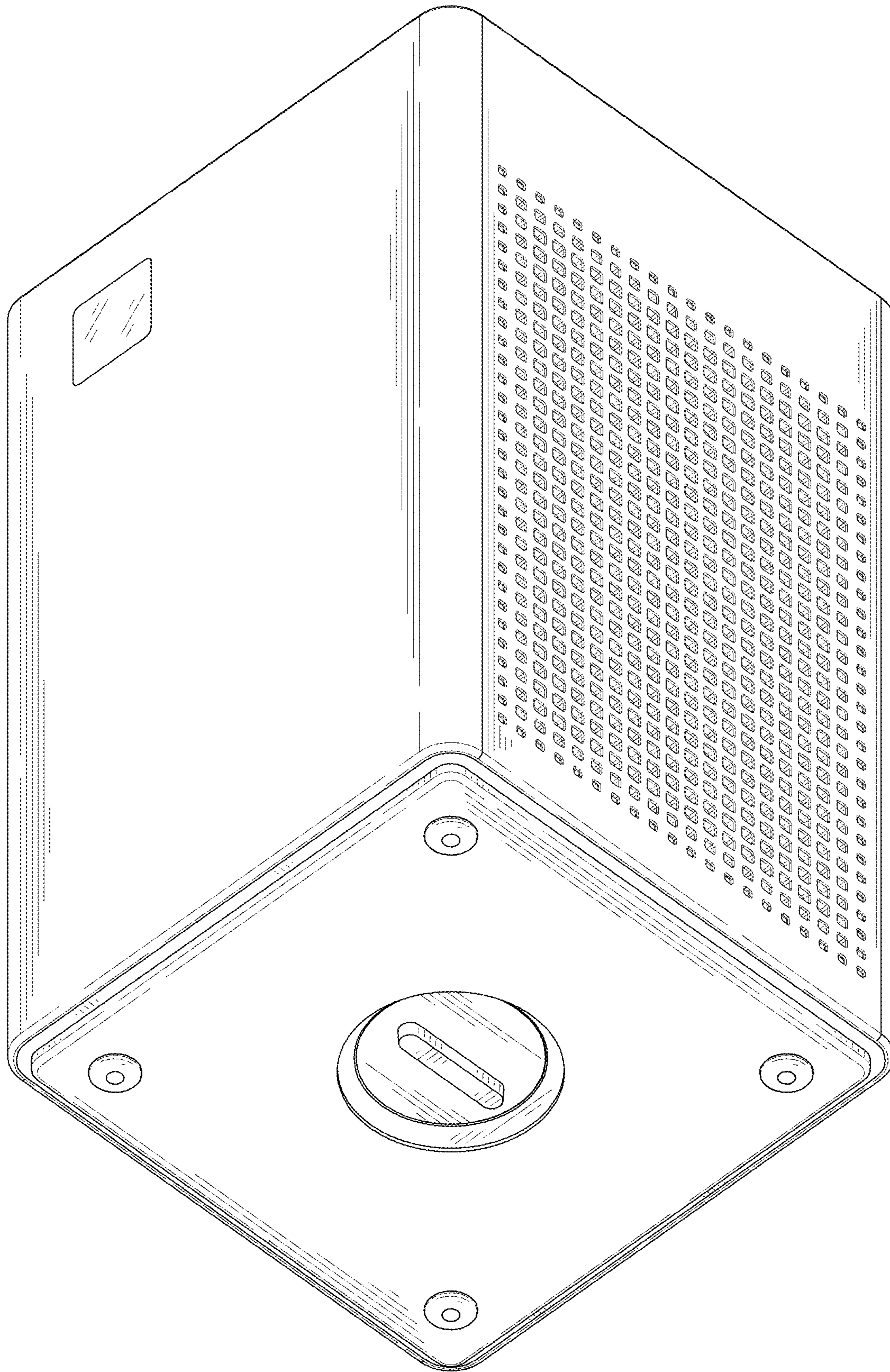


FIG. 52

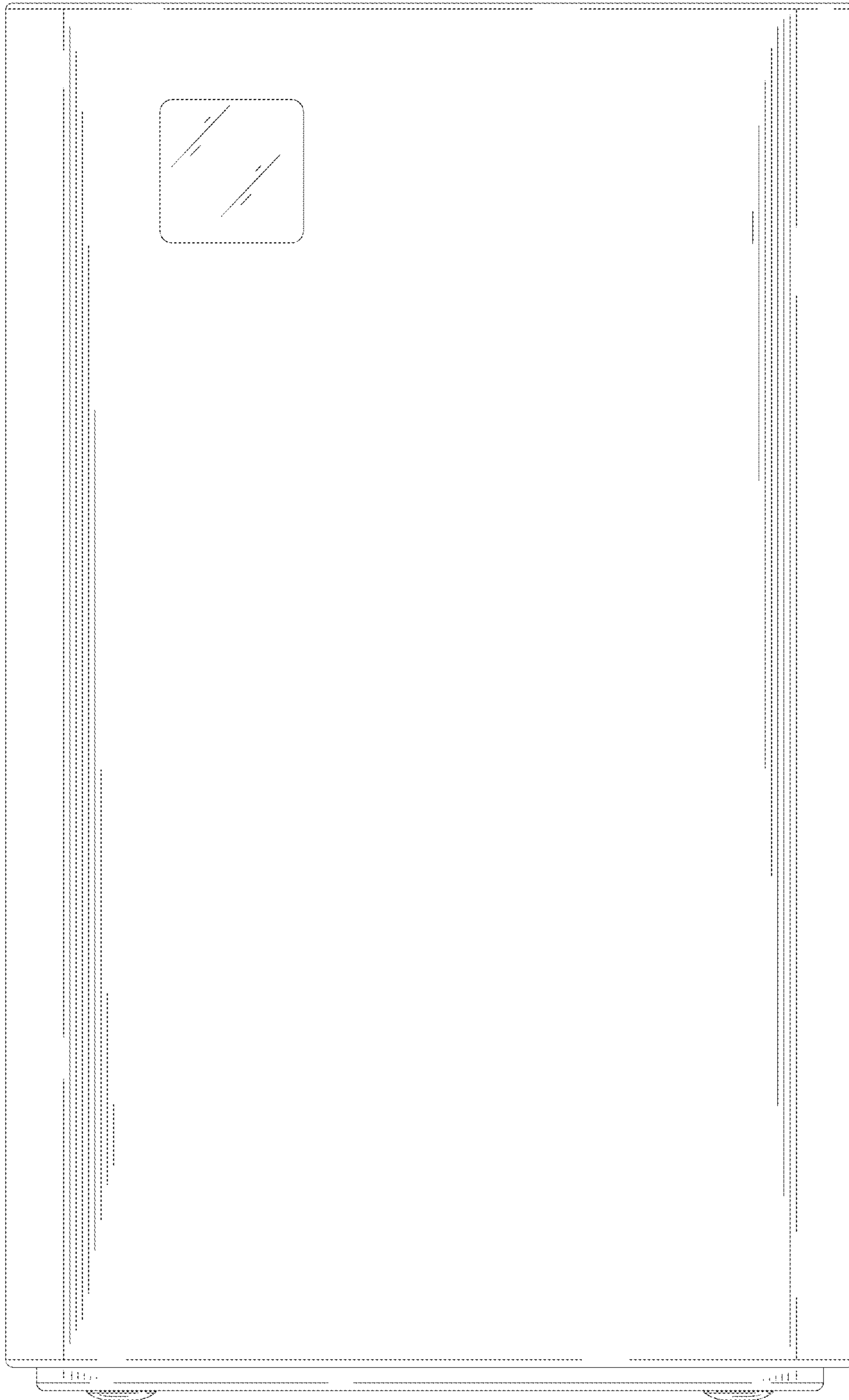


FIG. 53

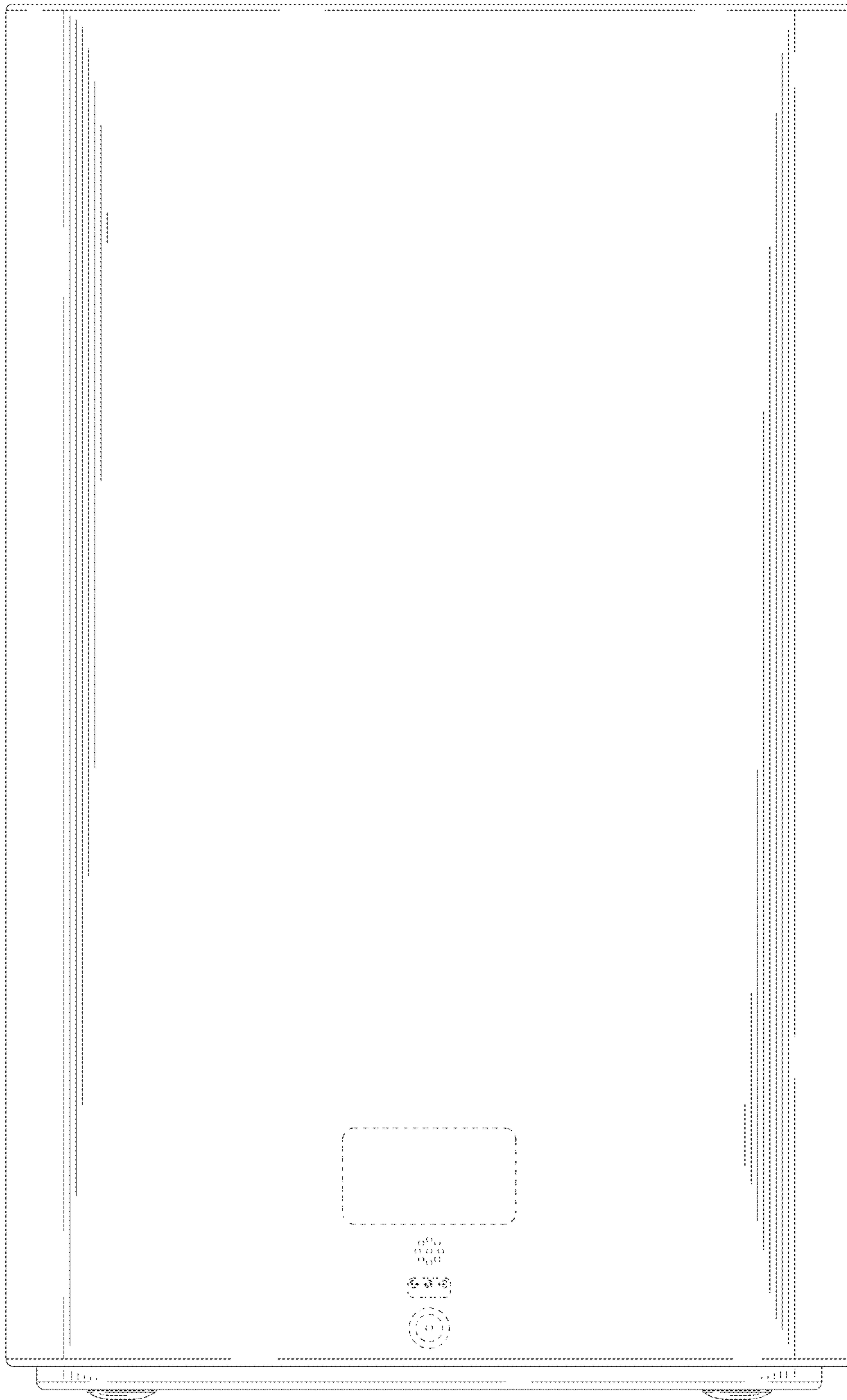


FIG. 54

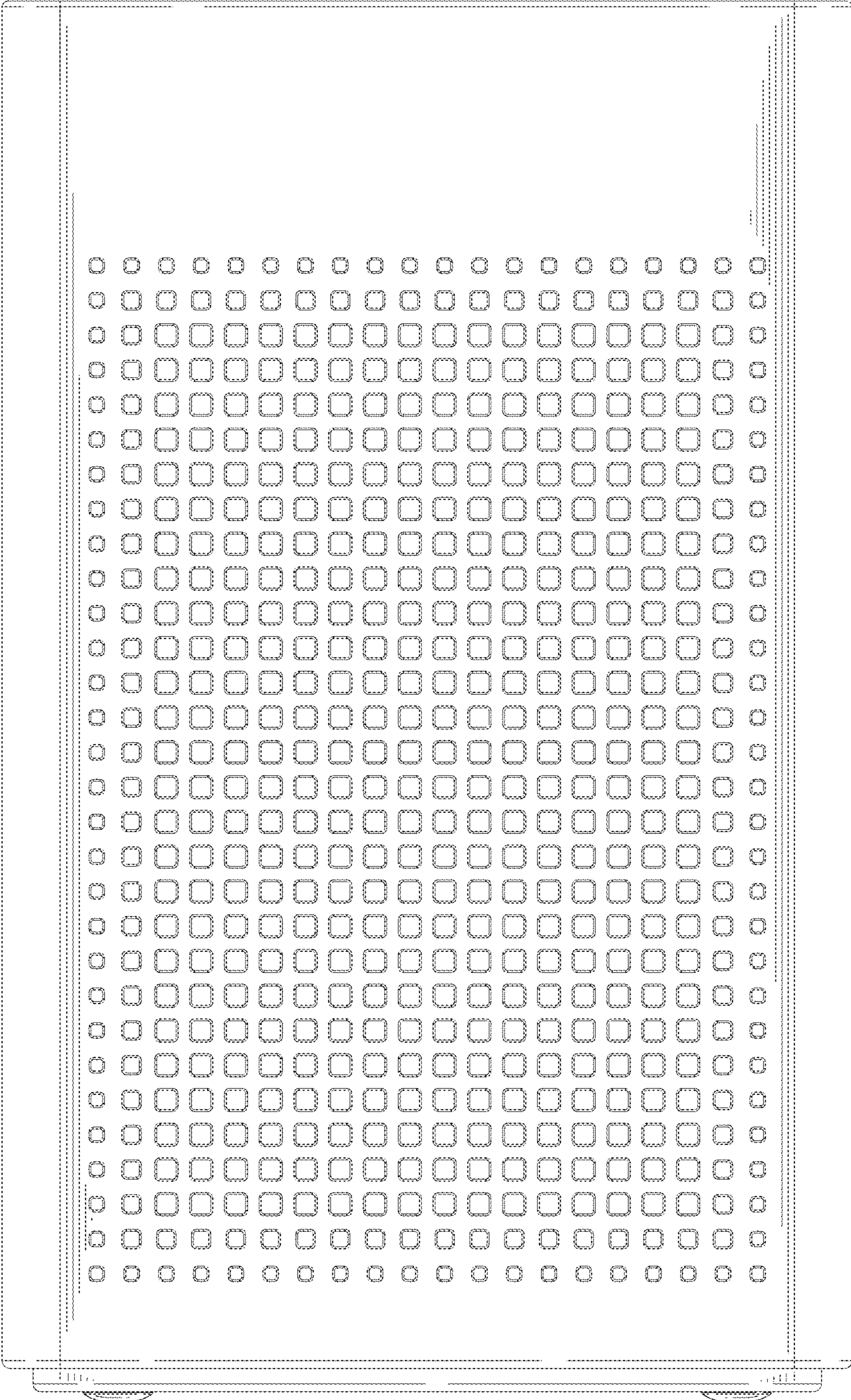


FIG. 55

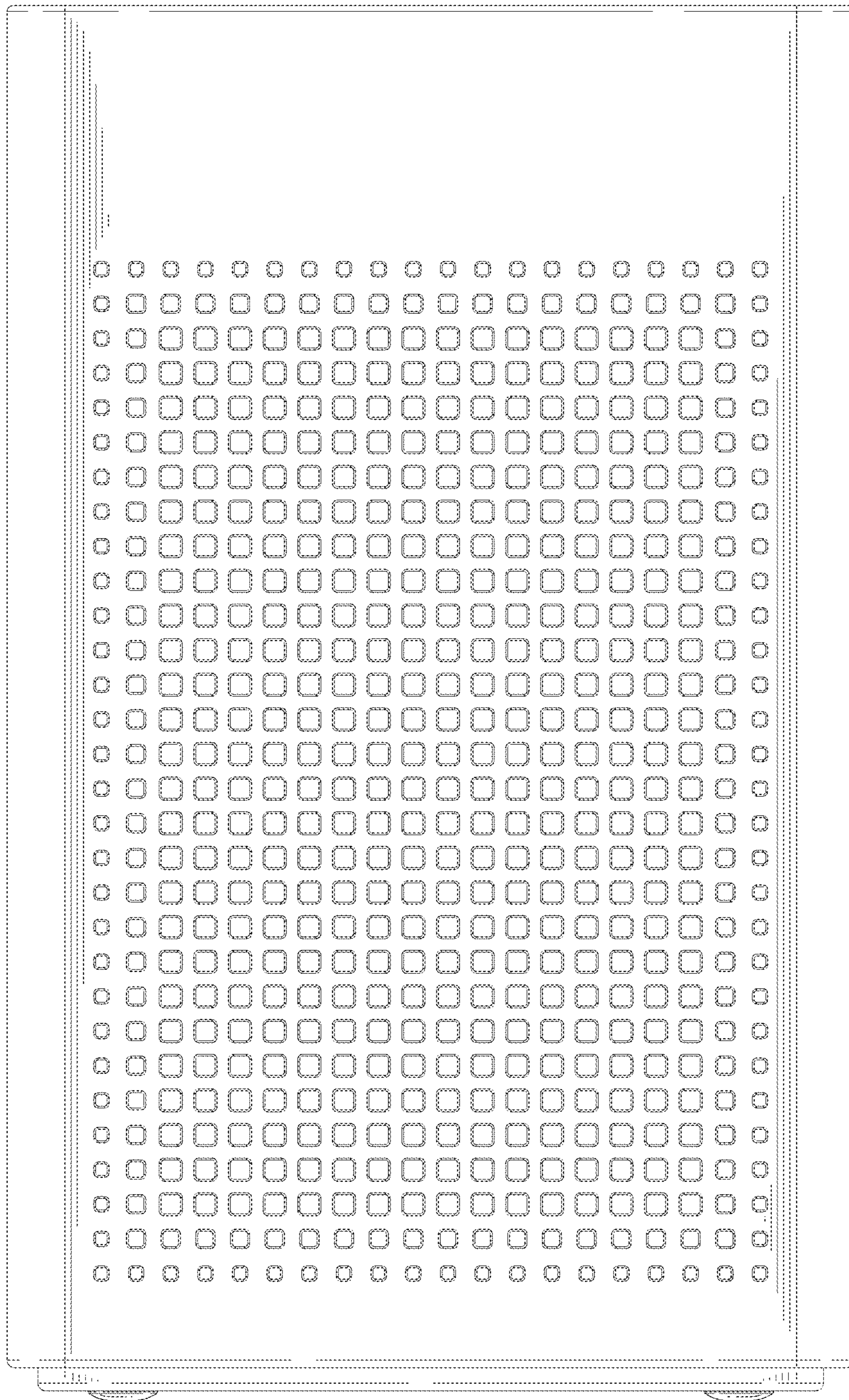


FIG. 56

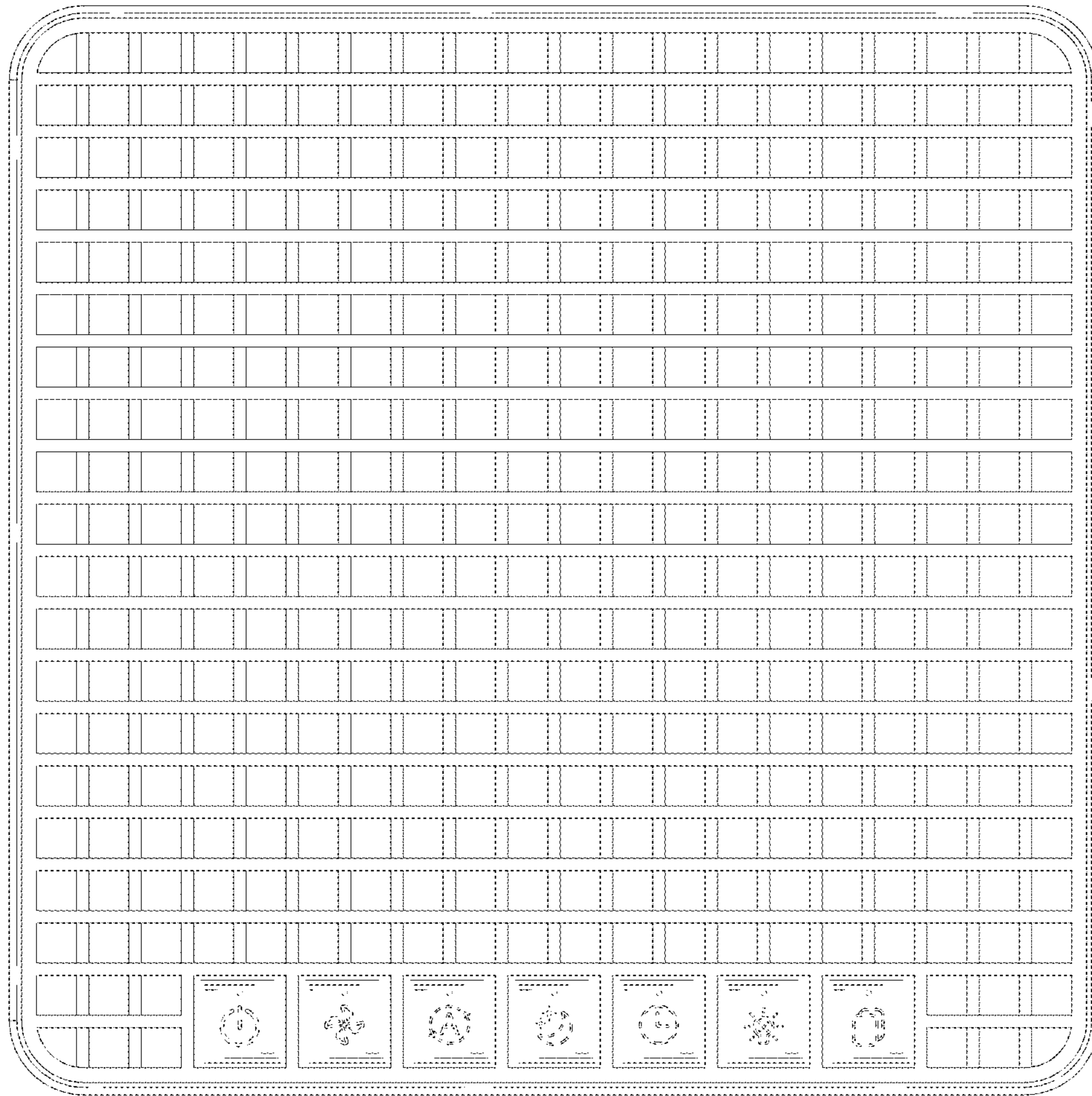


FIG. 57

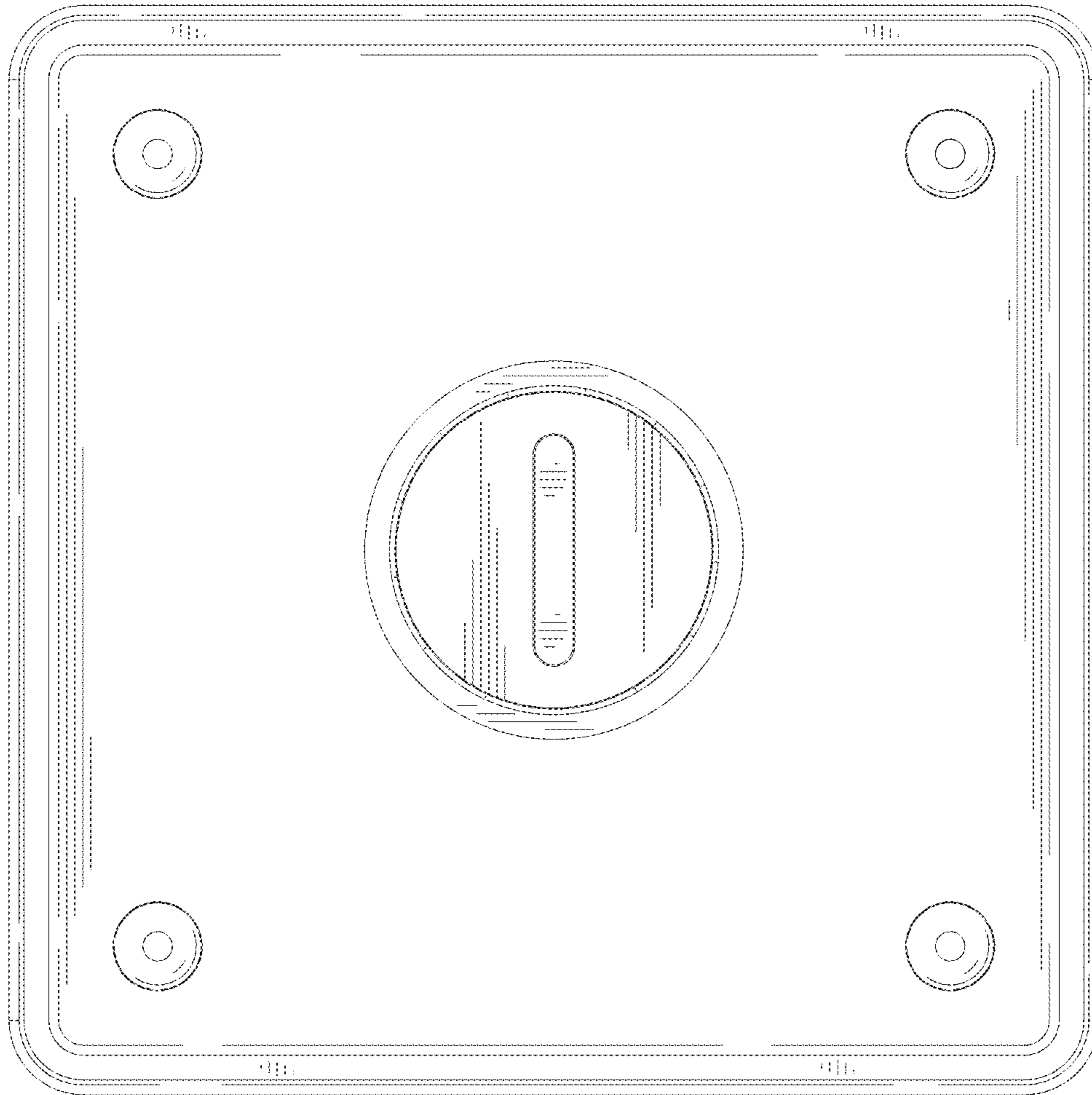


FIG. 58

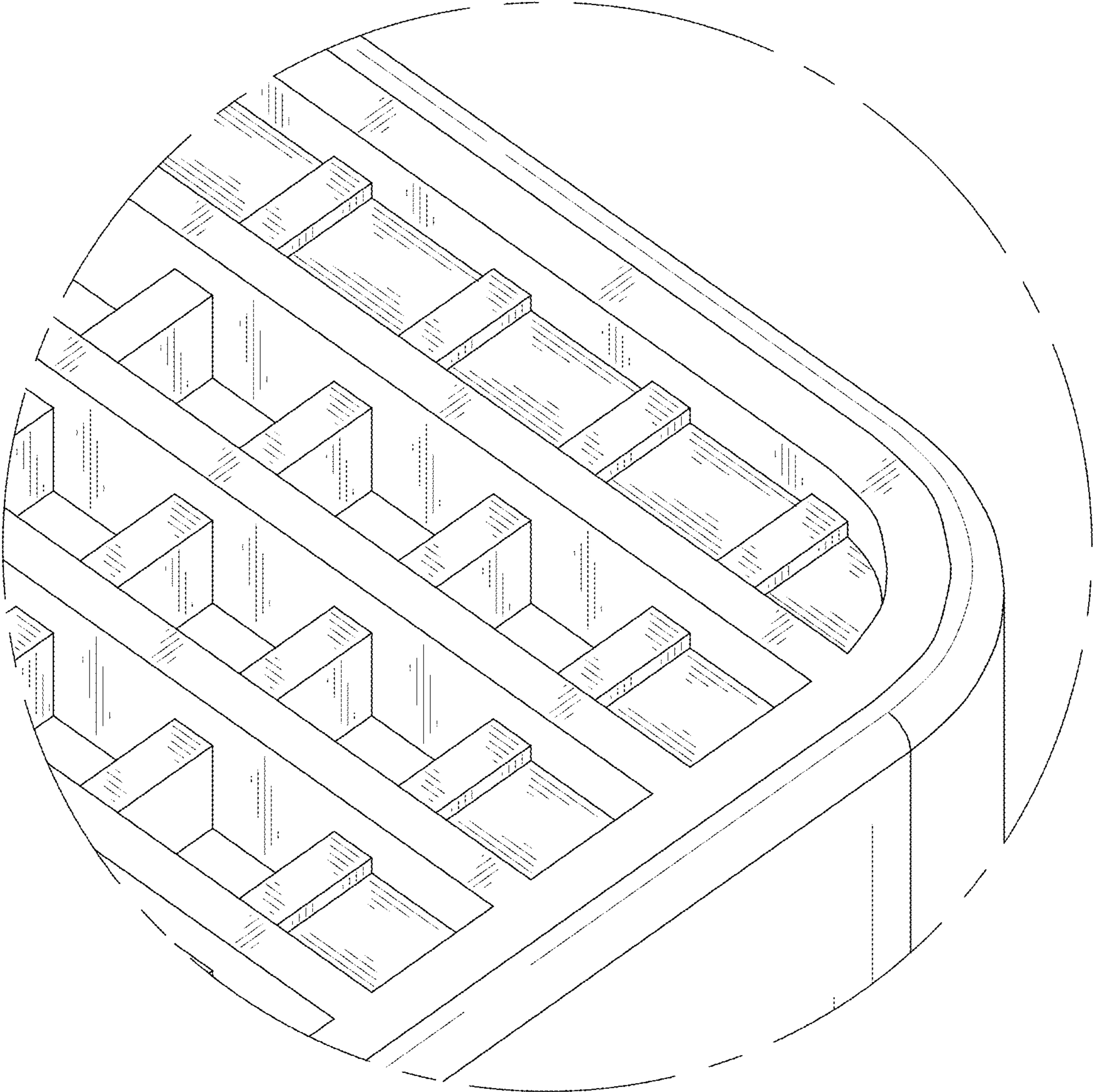


FIG. 59

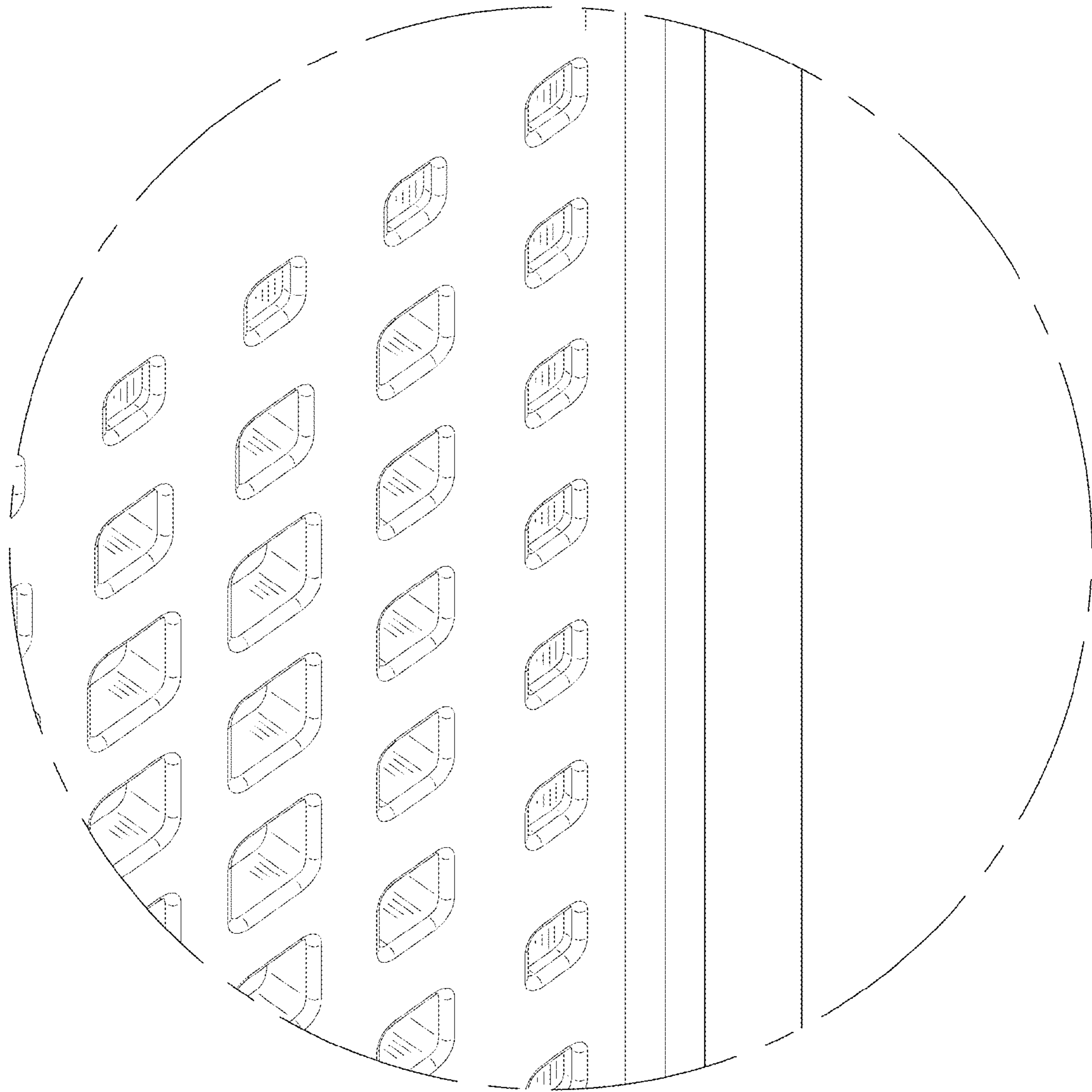


FIG. 60