



US00D951416S

(12) **United States Design Patent** (10) **Patent No.:** **US D951,416 S**
Yan (45) **Date of Patent:** **** May 10, 2022**

(54) **AIR PURIFIER**

(71) Applicant: **Shenzhen Puremate Technology Co., Ltd., Shenzhen (CN)**

(72) Inventor: **Yiqing Yan, Shenzhen (CN)**

(73) Assignee: **SHENZHEN PUREMATE TECHNOLOGY CO., LTD., Shenzhen (CN)**

(**) Term: **15 Years**

(21) Appl. No.: **29/758,924**

(22) Filed: **Nov. 19, 2020**

(30) **Foreign Application Priority Data**

Jun. 24, 2020 (CN) 202030333063.5

(51) **LOC (13) Cl.** **23-04**

(52) **U.S. Cl.**
USPC **D23/364**

(58) **Field of Classification Search**
USPC D23/356, 359, 364-365, 378, 499
CPC F24F 1/029; F24F 1/035; F24F 1/0287;
F24F 6/14; B05B 17/06

See application file for complete search history.

(56) **References Cited**

U.S. PATENT DOCUMENTS

D837,354 S *	1/2019	Su	D23/364
D852,344 S *	6/2019	Hua	D23/364
D862,673 S *	10/2019	Tang	D23/364
D865,148 S *	10/2019	Yoon	D23/364
D898,889 S *	10/2020	Yu	D23/364
D905,840 S *	12/2020	Cao	D23/364
D912,796 S *	3/2021	Huang	D23/364
D918,371 S *	5/2021	Zeng	D23/364
D921,869 S *	6/2021	Han	D23/364

D928,298 S *	8/2021	Zuo	D23/364
D933,797 S *	10/2021	Liu	D23/364
D933,798 S *	10/2021	Wang	D23/364
D935,588 S *	11/2021	LaPorte	D23/364

FOREIGN PATENT DOCUMENTS

CN	305251308	*	7/2019
CN	306143274	*	10/2020
KR	301075520.0000	*	9/2020

OTHER PUBLICATIONS

Colzer Ultra Quiet Essential Oil Air Purifier, first available Sep. 10, 2020[online], [site visited Dec. 13, 2021]. Available from internet, URL: <https://www.amazon.com/COLZER-Purifier-Intelligent-Control-Filtration/dp/B08HSFGC6S> (Year: 2020).*

(Continued)

Primary Examiner — Barbara Fox

Assistant Examiner — Jamaal Rasheed

(74) *Attorney, Agent, or Firm* — Westbridge IP LLC

(57) **CLAIM**

The ornamental design for an air purifier, as shown and described.

DESCRIPTION

FIG. 1 is a front perspective view of an air purifier showing my new design;

FIG. 2 is a rear perspective view thereof;

FIG. 3 is a front elevational view thereof;

FIG. 4 is a rear elevational view thereof;

FIG. 5 is a left side elevational view thereof;

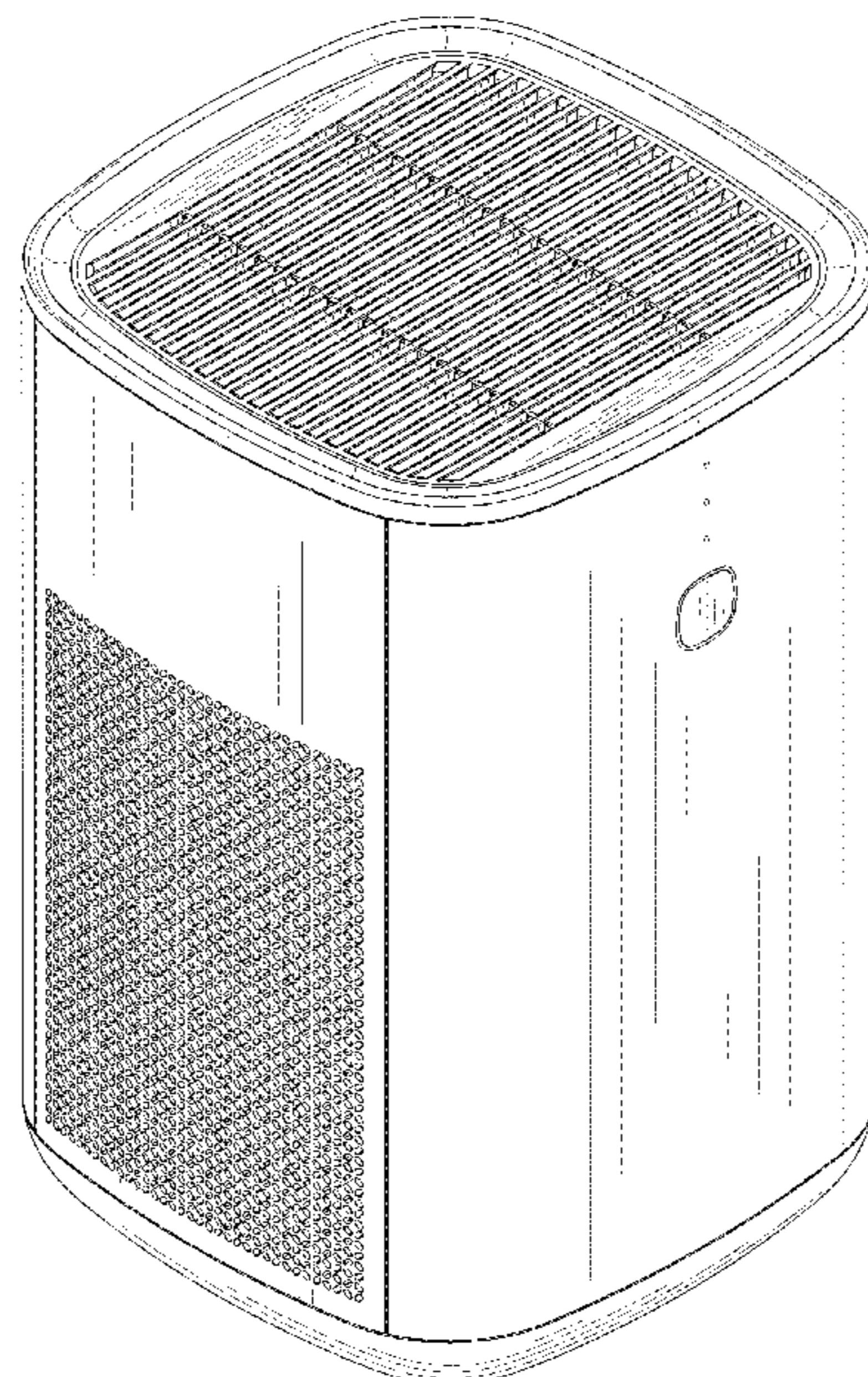
FIG. 6 is a right side elevational view thereof;

FIG. 7 is a top plan view thereof; and,

FIG. 8 is a bottom plan view thereof.

The broken lines in the drawings illustrate the portions of the air purifier which form no part of the claimed design.

1 Claim, 8 Drawing Sheets



(56)

References Cited

OTHER PUBLICATIONS

ROVACS Air Purifiers, first available Oct. 22, 2020[online], [site visited Dec. 13, 2021]. Available from internet, URL:<<https://www.amazon.com/ROVACS-Purifiers-Allergies-Available-California/dp/B08LN85H7Z>> (Year: 2020).*

LEVOIT Air Purifiers, first available Jun. 24, 2020[online], [site visited Dec. 13, 2021]. Available from internet, URL:<<https://www.amazon.ca/dp/B08BR1CR78>> (Year: 2020).*

* cited by examiner

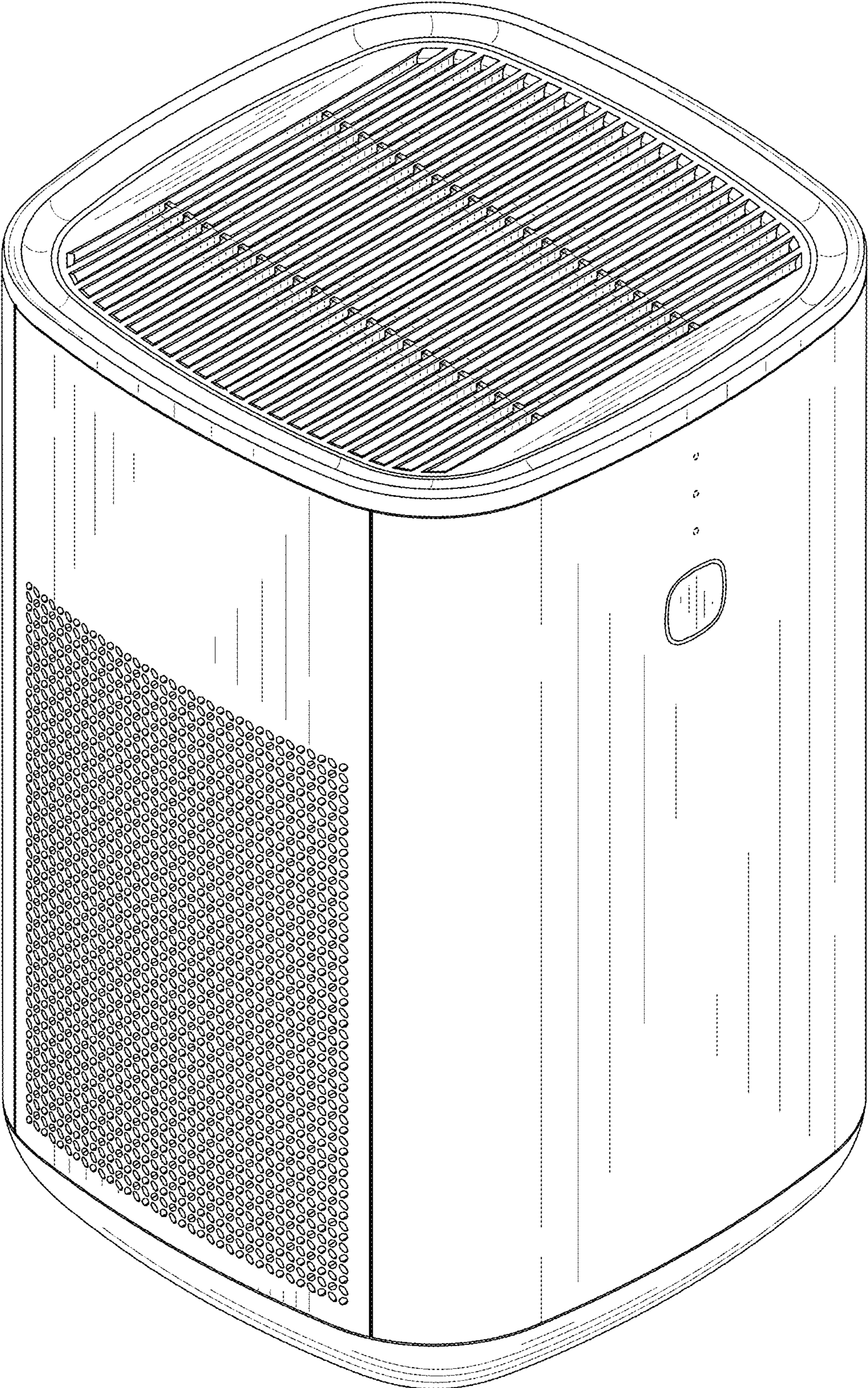


FIG.1

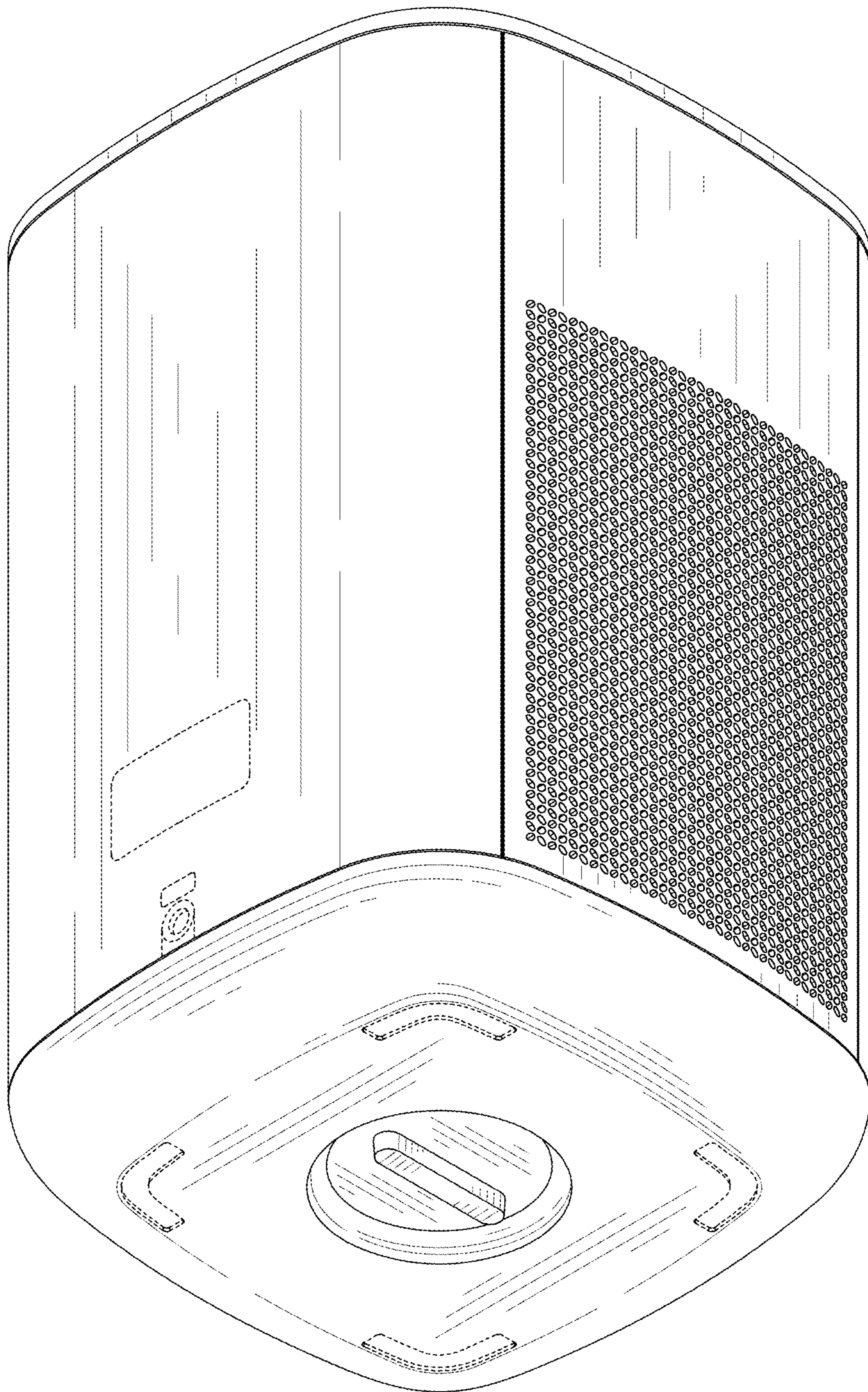


FIG.2

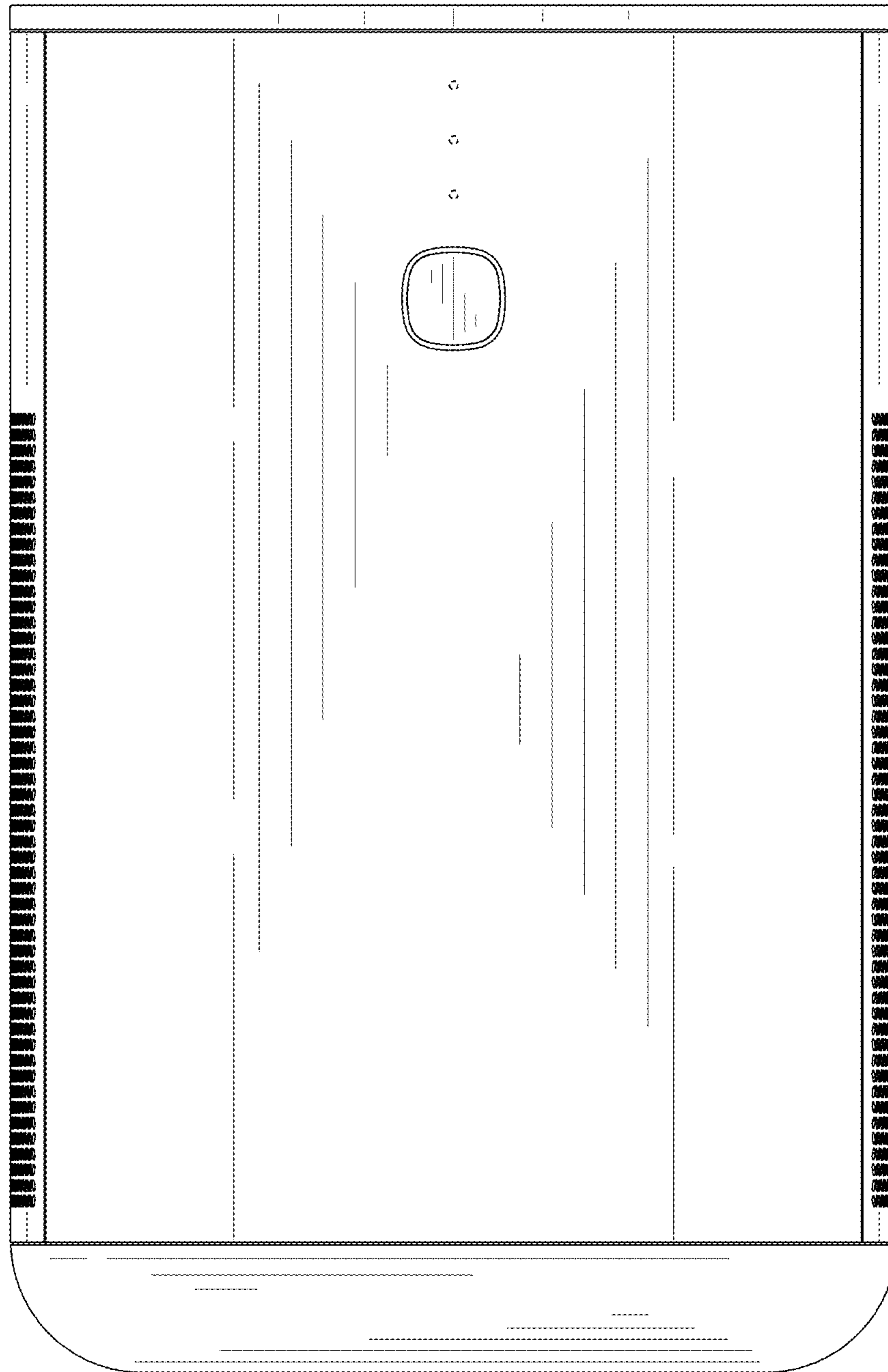


FIG. 3

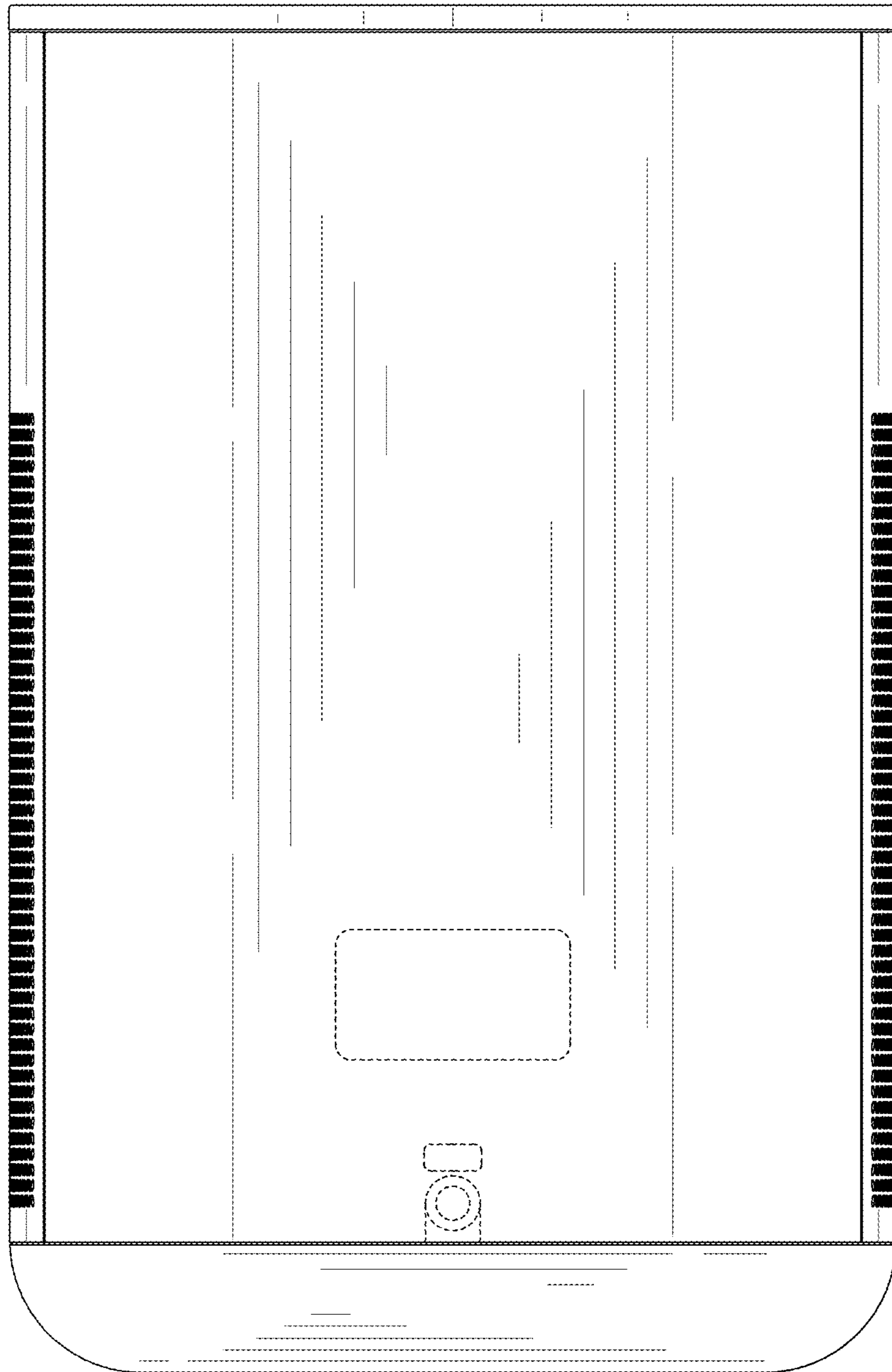


FIG. 4

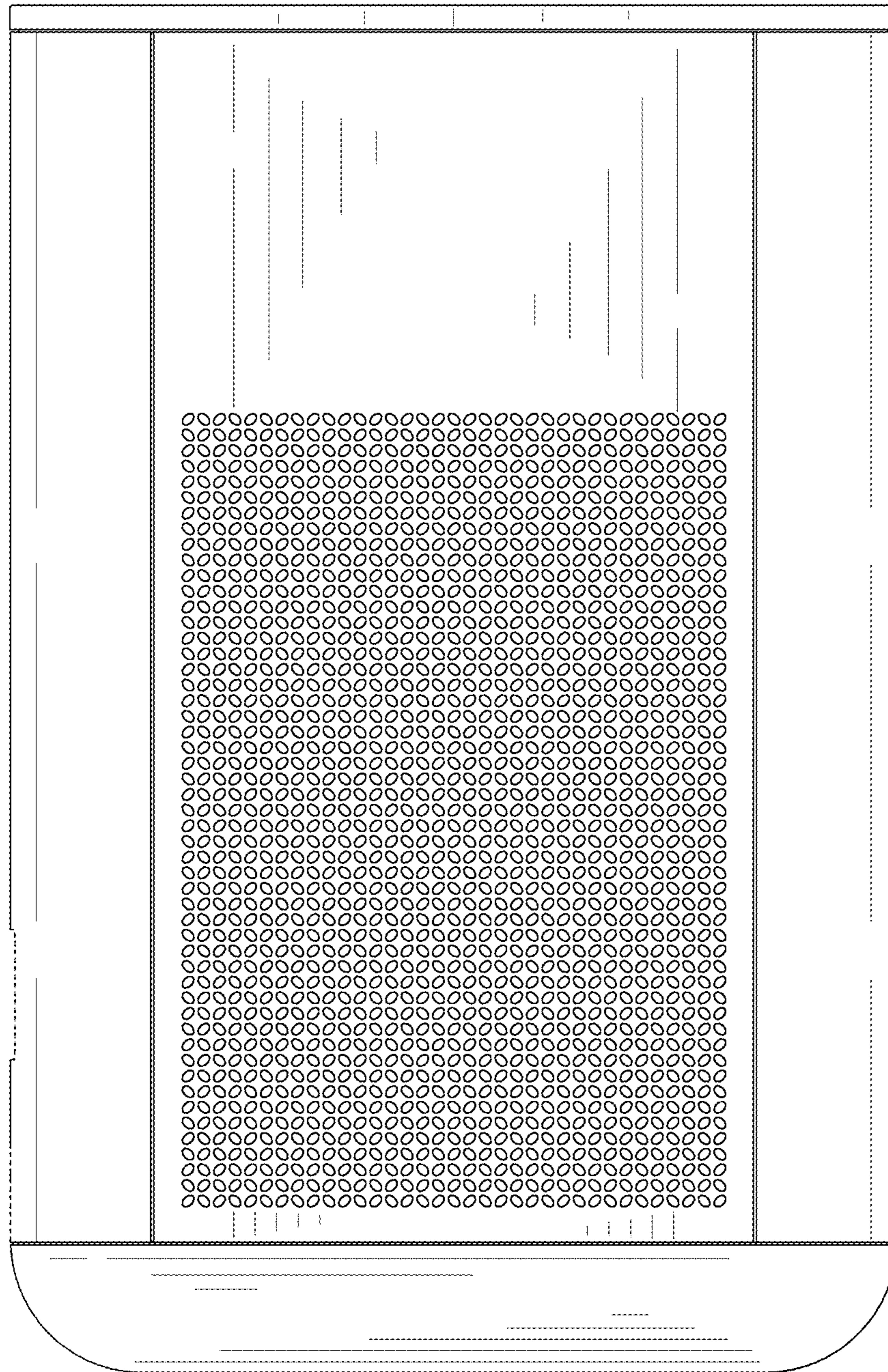


FIG.5

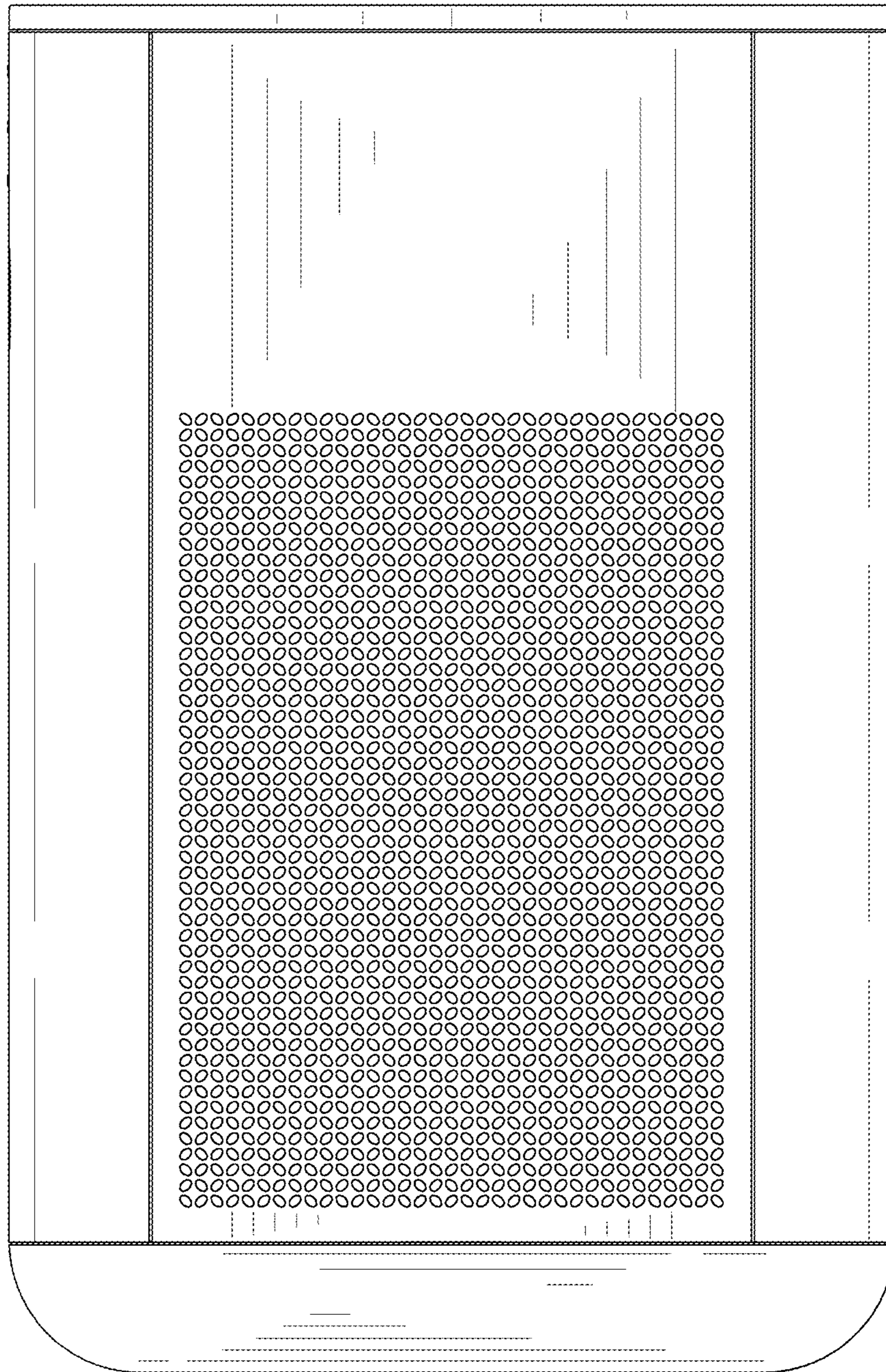


FIG.6

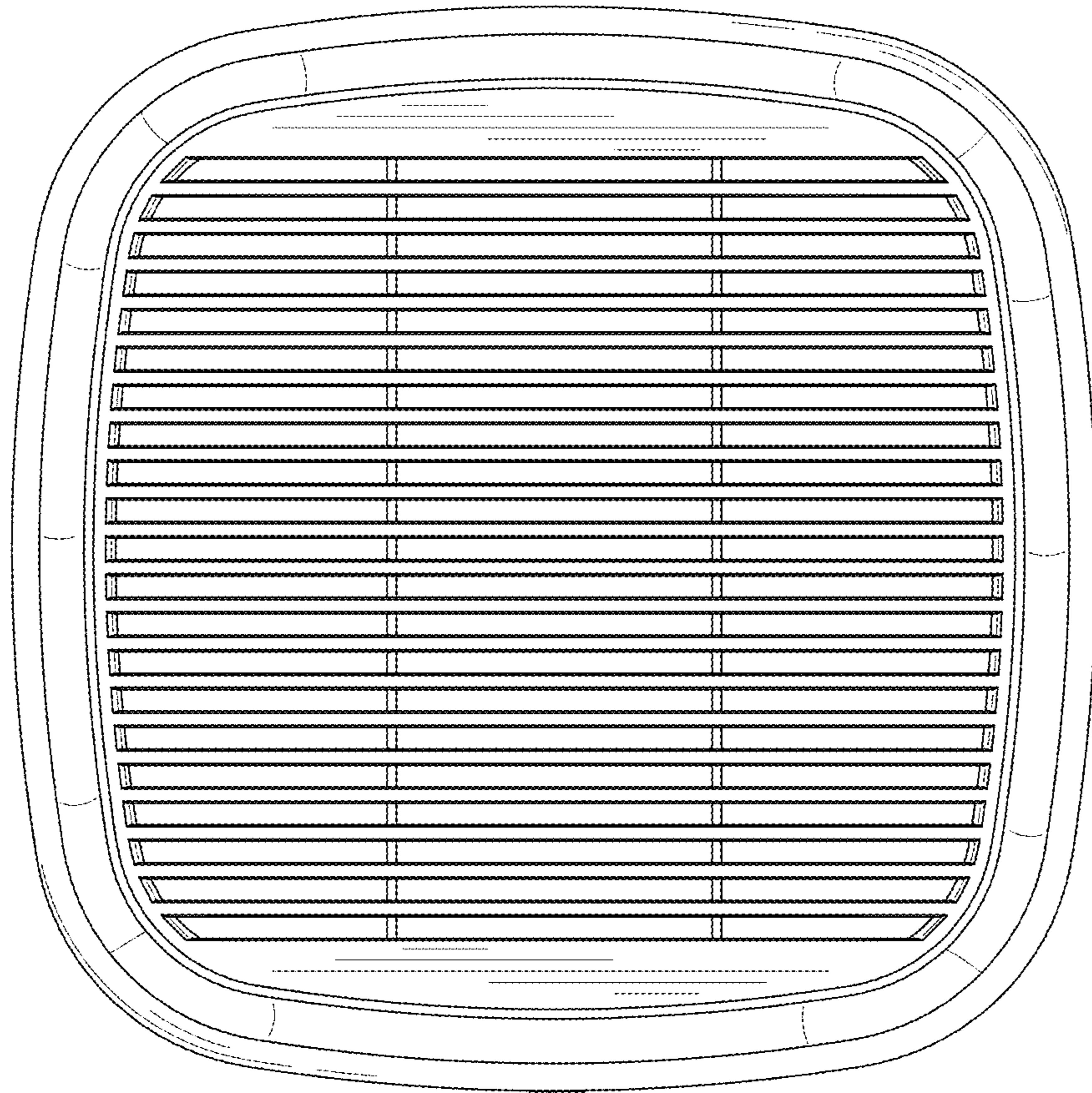


FIG. 7

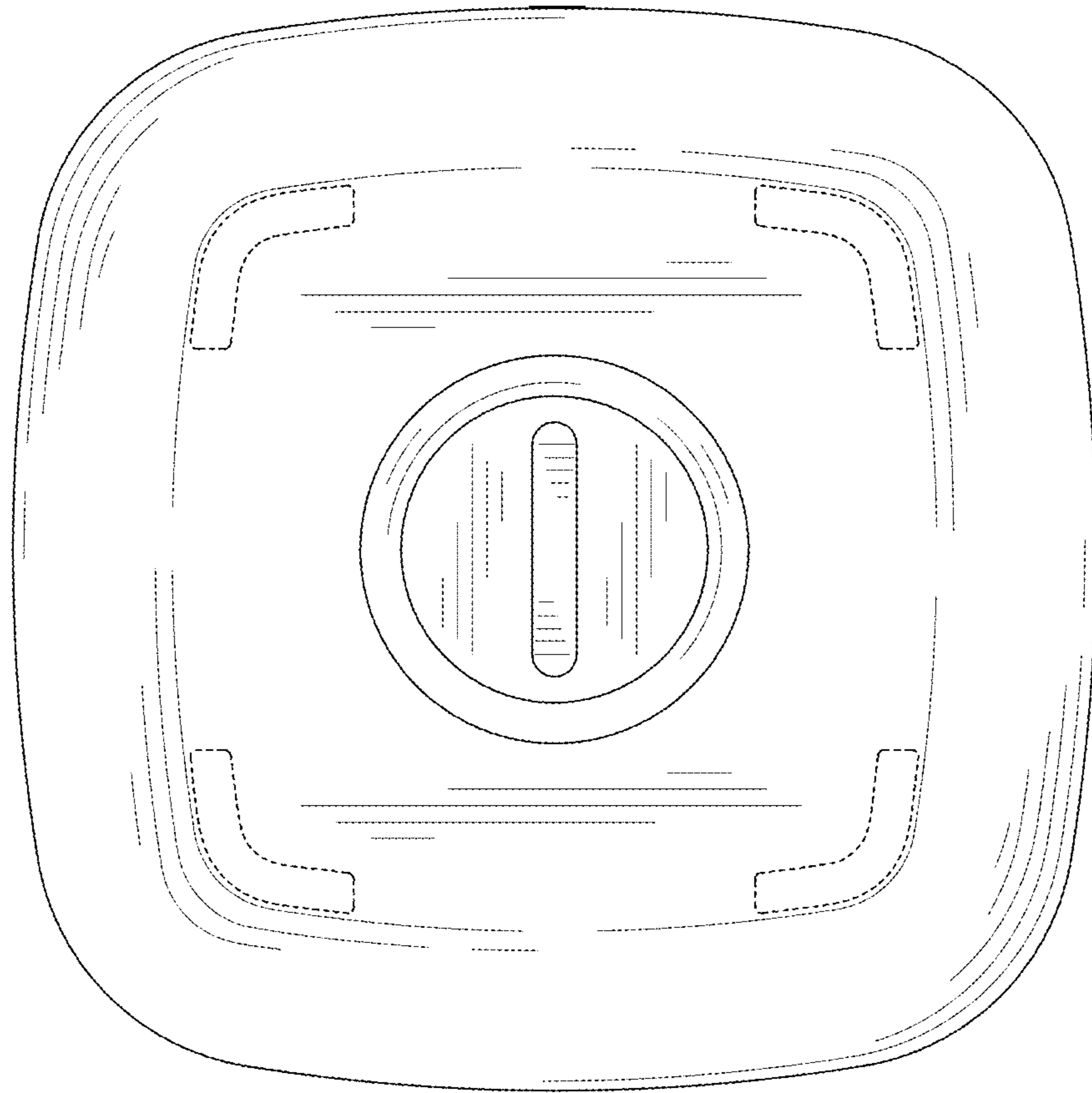


FIG.8