



US00D951413S

(12) **United States Design Patent**  
**Han et al.**

(10) **Patent No.:** **US D951,413 S**

(45) **Date of Patent:** **\*\* May 10, 2022**

(54) **AIR CIRCULATOR**

(71) Applicant: **LG ELECTRONICS INC.**, Seoul (KR)

(72) Inventors: **Sungkyong Han**, Seoul (KR); **Sehwan Bae**, Seoul (KR); **Myungwhoon Lee**, Seoul (KR); **Kangeui Cho**, Seoul (KR); **Jiug Ha**, Seoul (KR)

(73) Assignee: **LG ELECTRONICS INC.**, Seoul (KR)

(\*\*) Term: **15 Years**

(21) Appl. No.: **29/721,819**

(22) Filed: **Jan. 23, 2020**

(30) **Foreign Application Priority Data**

Jul. 25, 2019 (KR) ..... 30-2019-0035867

(51) **LOC (13) Cl.** ..... **23-04**

(52) **U.S. Cl.**  
USPC ..... **D23/364**

(58) **Field of Classification Search**  
USPC .. D7/536, 538, 553.8, 554.2, 602-604, 612;  
D9/428, 545, 738, 763-764, 767;  
D23/332-335, 337, 342, 352, 355-366,  
D23/369-370  
CPC .. A61L 9/00; A61L 9/22; B01D 47/00; B01D  
47/027; B01D 2259/4508; B03C 3/155;  
B03C 3/368; F24F 3/16; F24F 13/20;  
F24F 13/28

See application file for complete search history.

(56) **References Cited**

**U.S. PATENT DOCUMENTS**

D688,368 S \* 8/2013 Ediger ..... D23/382  
D762,833 S \* 8/2016 Ogg ..... D23/365  
D861,845 S \* 10/2019 Chen ..... D23/364

(Continued)

*Primary Examiner* — Karen S Acker  
*Assistant Examiner* — Jonathan E Fiencke

(74) *Attorney, Agent, or Firm* — Birch, Stewart, Kolasch & Birch, LLP

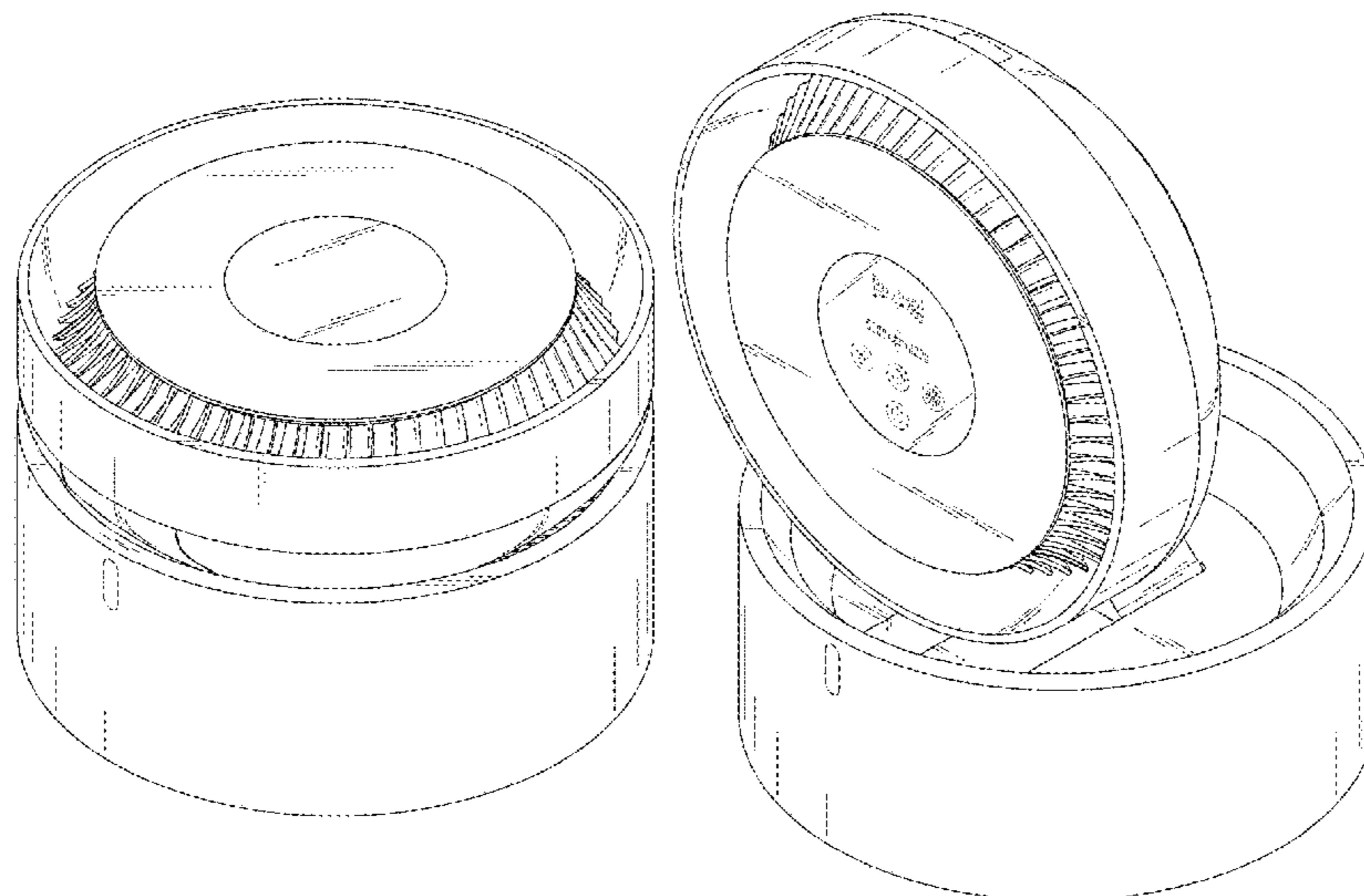
(57) **CLAIM**

We claim the ornamental design for an air circulator, as shown and described.

**DESCRIPTION**

FIG. 1 is a perspective view of an air circulator showing the new design;  
FIG. 2 is a front elevation view thereof;  
FIG. 3 is a rear elevation view thereof;  
FIG. 4 is a left-side elevation view thereof;  
FIG. 5 is a right-side view thereof;  
FIG. 6 is a top plan view thereof;  
FIG. 7 is a bottom plan view thereof;  
FIG. 8 is a perspective view thereof showing the circulator part at an angle;  
FIG. 9 is a front elevation view thereof;  
FIG. 10 is a rear elevation view thereof;  
FIG. 11 is a left-side elevation view thereof;  
FIG. 12 is a right-side elevation view thereof;  
FIG. 13 is a top plan view thereof;  
FIG. 14 is a bottom plan view thereof.  
FIG. 15 is a perspective view thereof showing the circulator part at another angle;  
FIG. 16 is a front elevation view thereof;  
FIG. 17 is a rear elevation view thereof;  
FIG. 18 is a left-side elevation view thereof;  
FIG. 19 is a right-side elevation view thereof;  
FIG. 20 is a top plan view thereof;  
FIG. 21 is a bottom plan view thereof; and,  
FIG. 22 is a perspective view thereof showing the air circulator in a state of use.  
The evenly spaced broken lines and unshaded areas depict portions of the air circulator that form no part of the claimed design.

**1 Claim, 22 Drawing Sheets**



(56)

**References Cited**

U.S. PATENT DOCUMENTS

D872,846 S *	1/2020	Jessup .....	D23/364
D879,564 S *	3/2020	Adams, Jr. ....	D7/612
D889,434 S *	7/2020	Xie .....	D14/216
D891,597 S *	7/2020	Carling .....	D23/364
D899,570 S *	10/2020	Kuhlman .....	D23/356
D905,841 S *	12/2020	Cao .....	D23/364
D906,500 S *	12/2020	Seo .....	D23/356
D908,854 S *	1/2021	Fitzsimmons .....	D23/364
D910,825 S *	2/2021	Jung .....	D23/364
D913,475 S *	3/2021	Wu .....	D23/366
D917,684 S *	4/2021	Jung .....	D23/364
D929,554 S *	8/2021	Lee .....	D23/364
D931,063 S *	9/2021	Miksovsky .....	D7/629
D936,809 S *	11/2021	Shen .....	D23/364

\* cited by examiner

FIG. 1

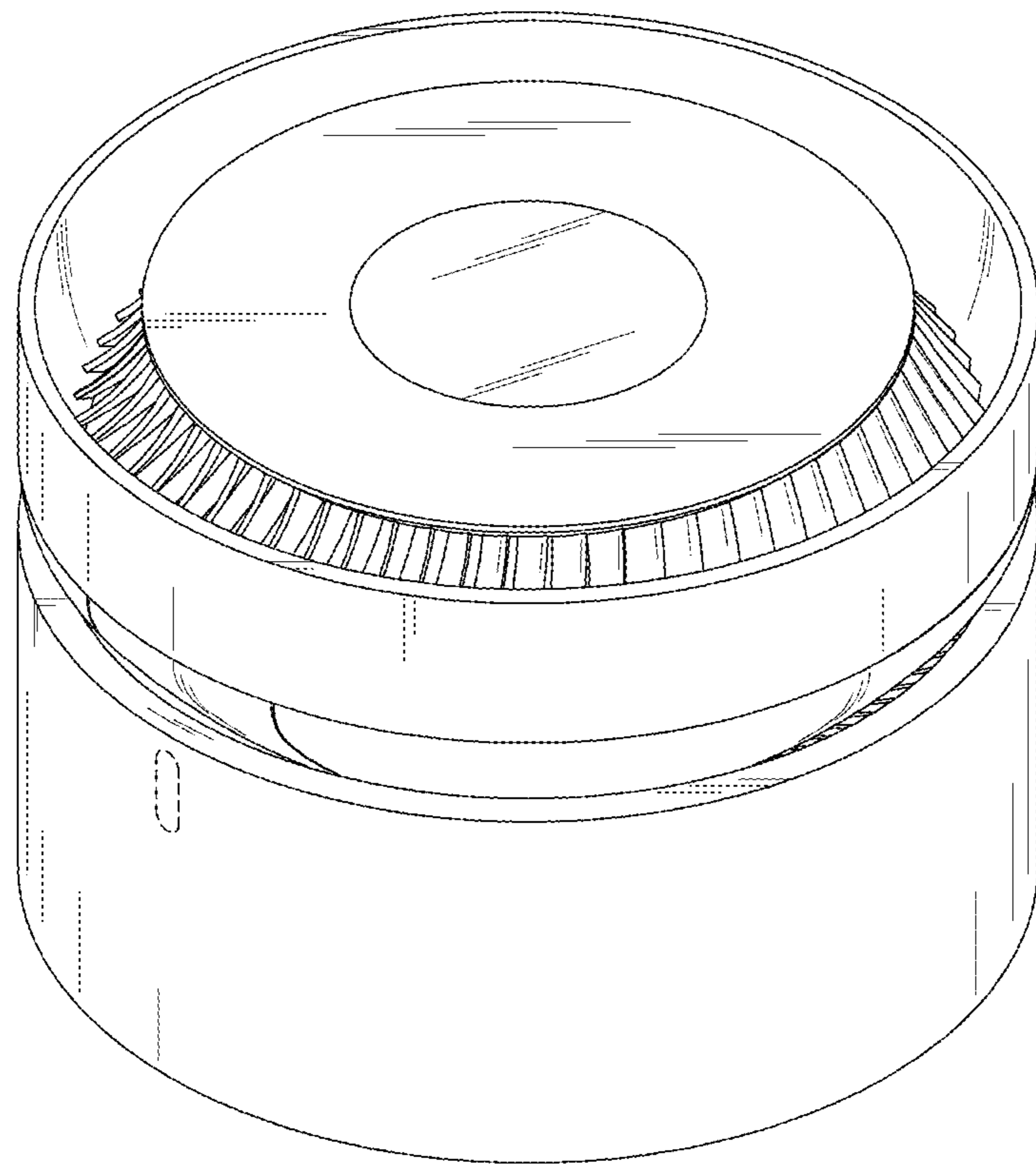


FIG. 2

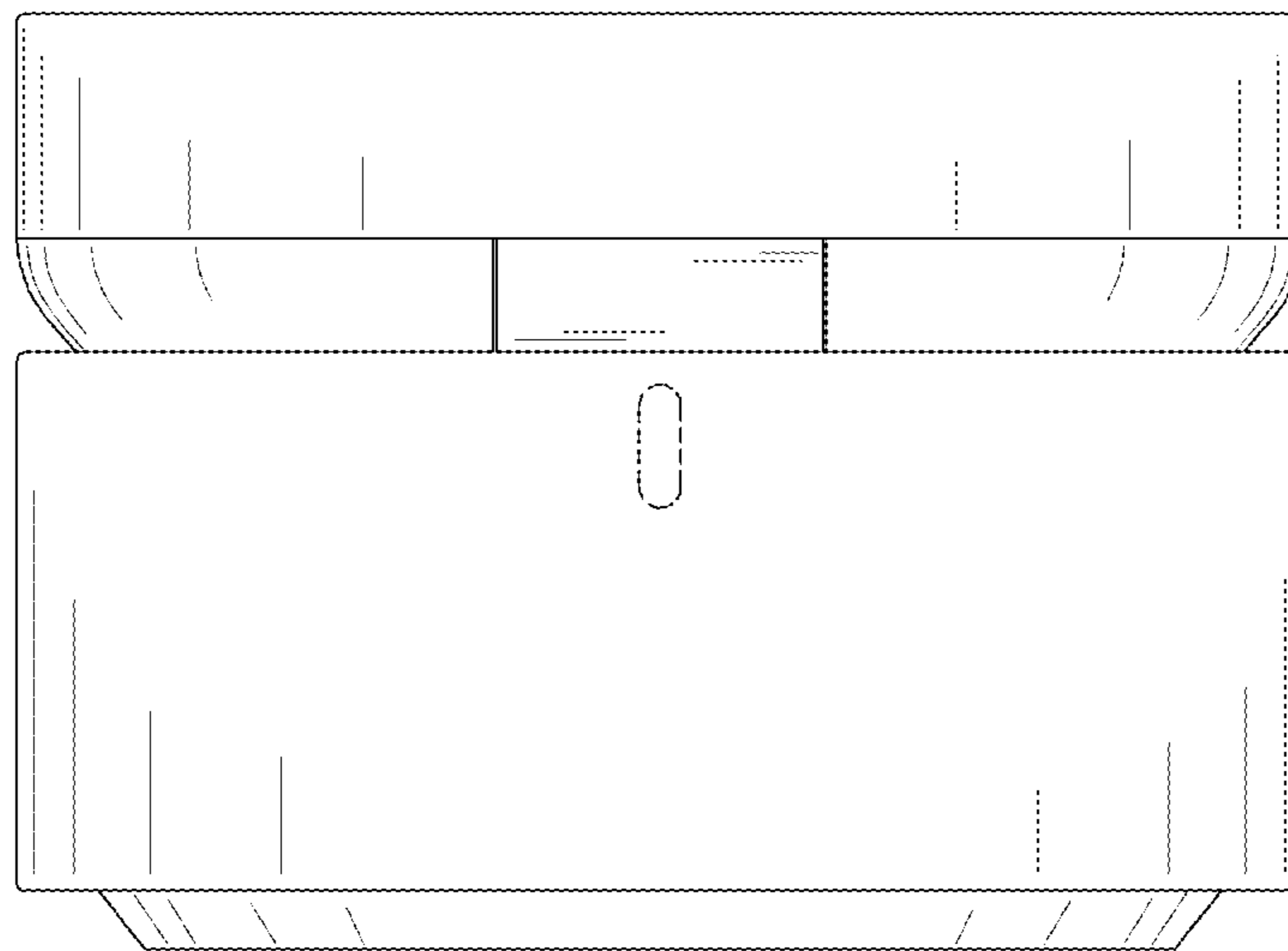


FIG. 3

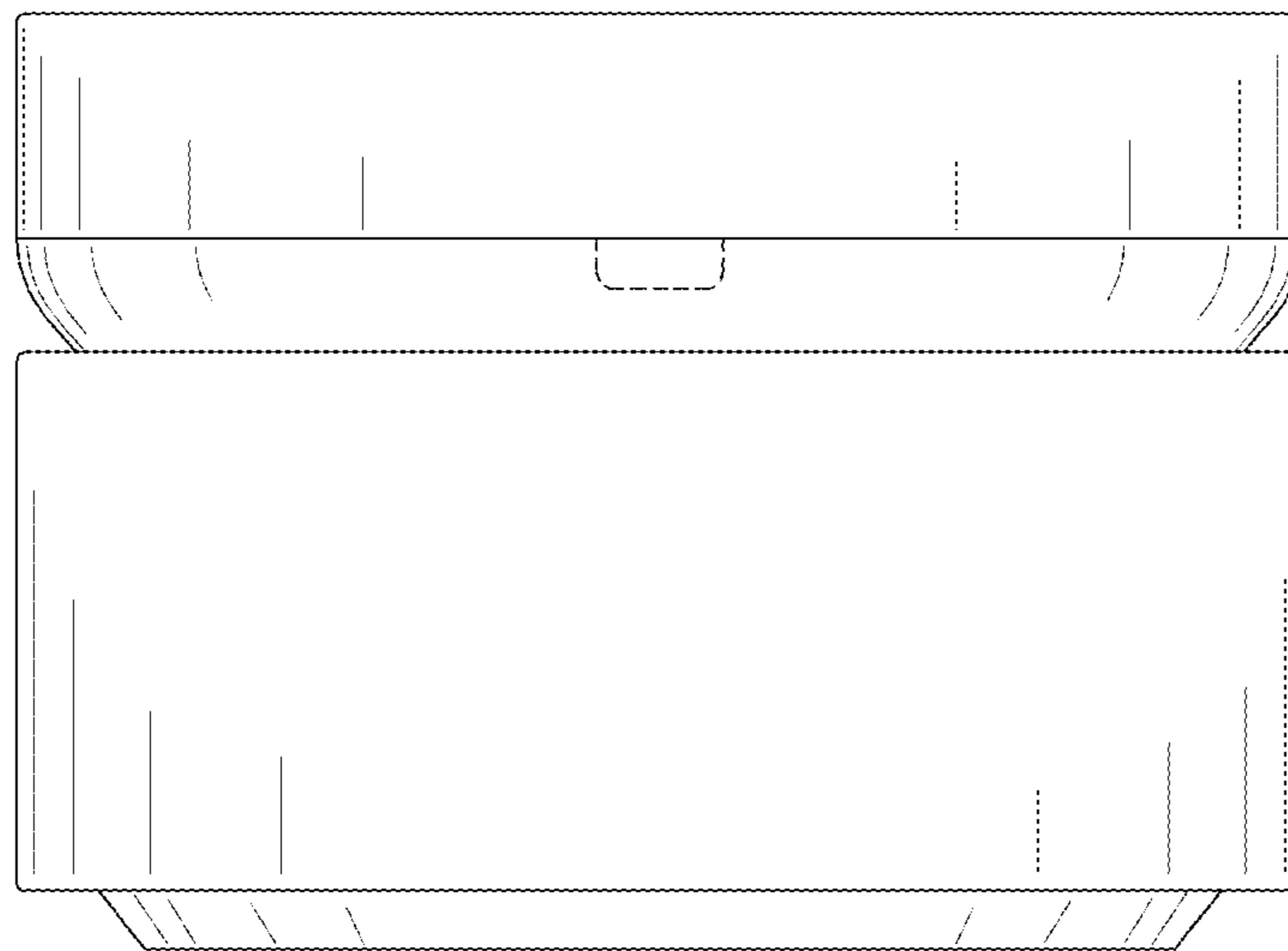


FIG. 4

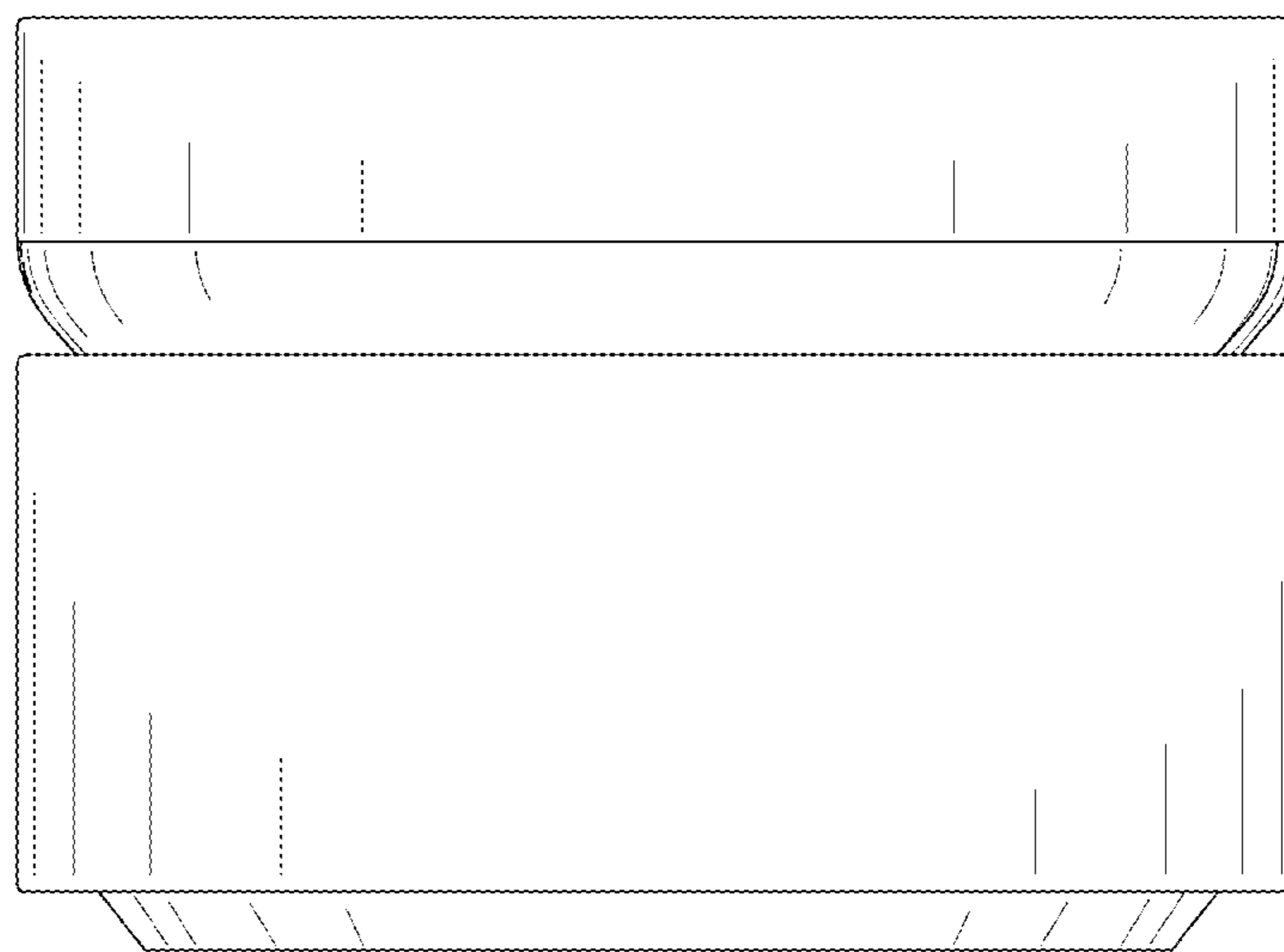


FIG. 5

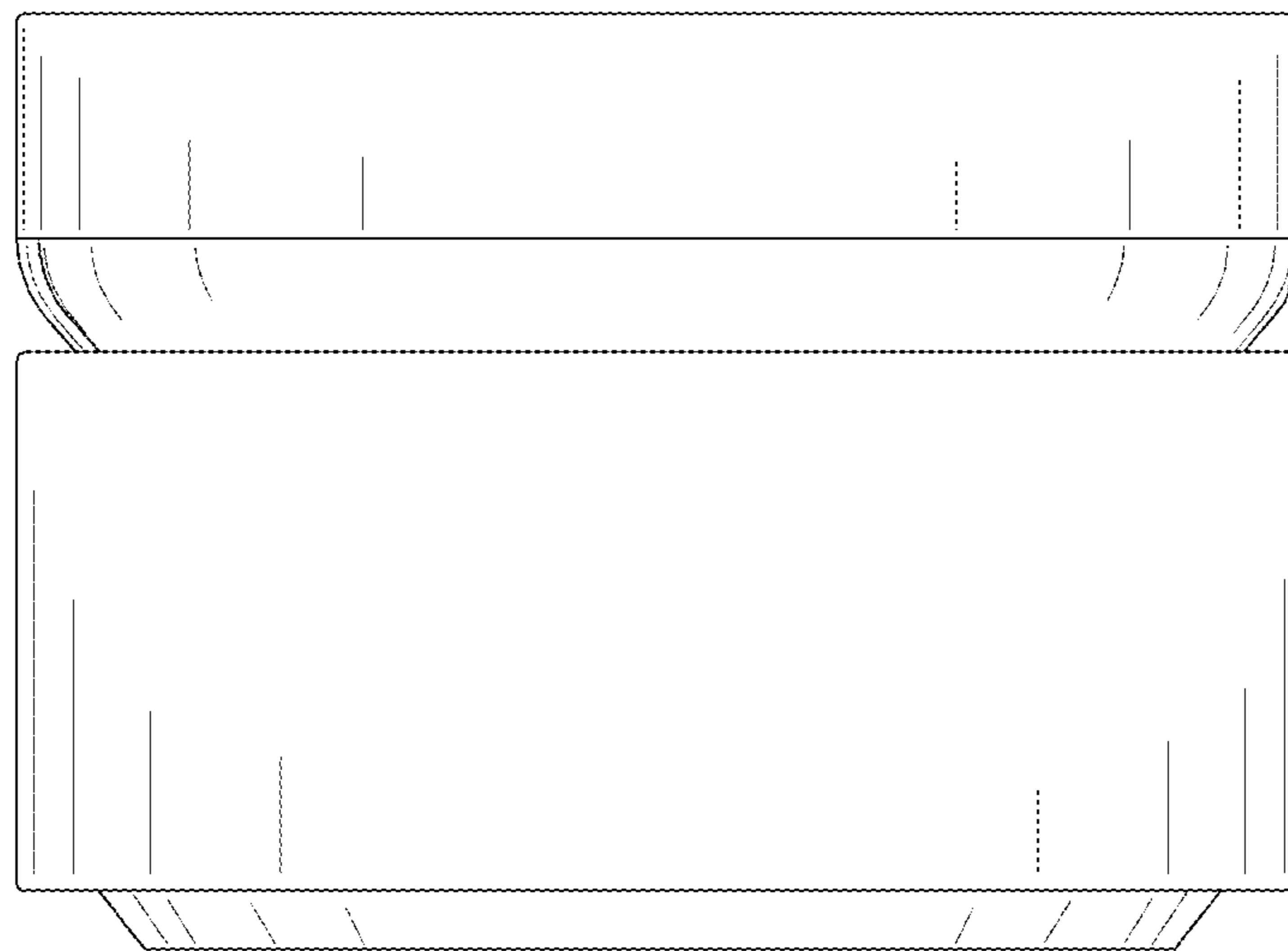


FIG. 6

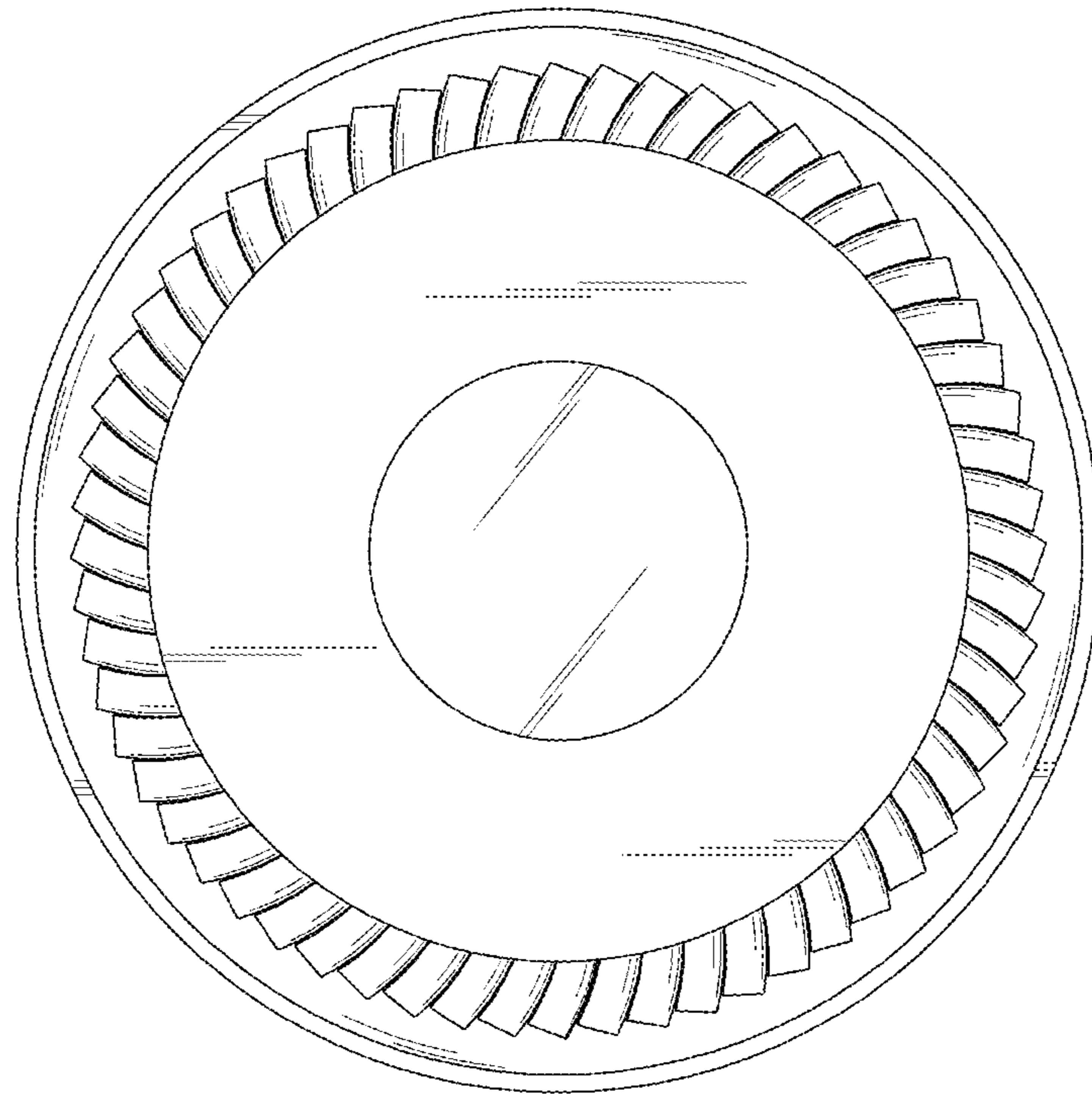




FIG. 7

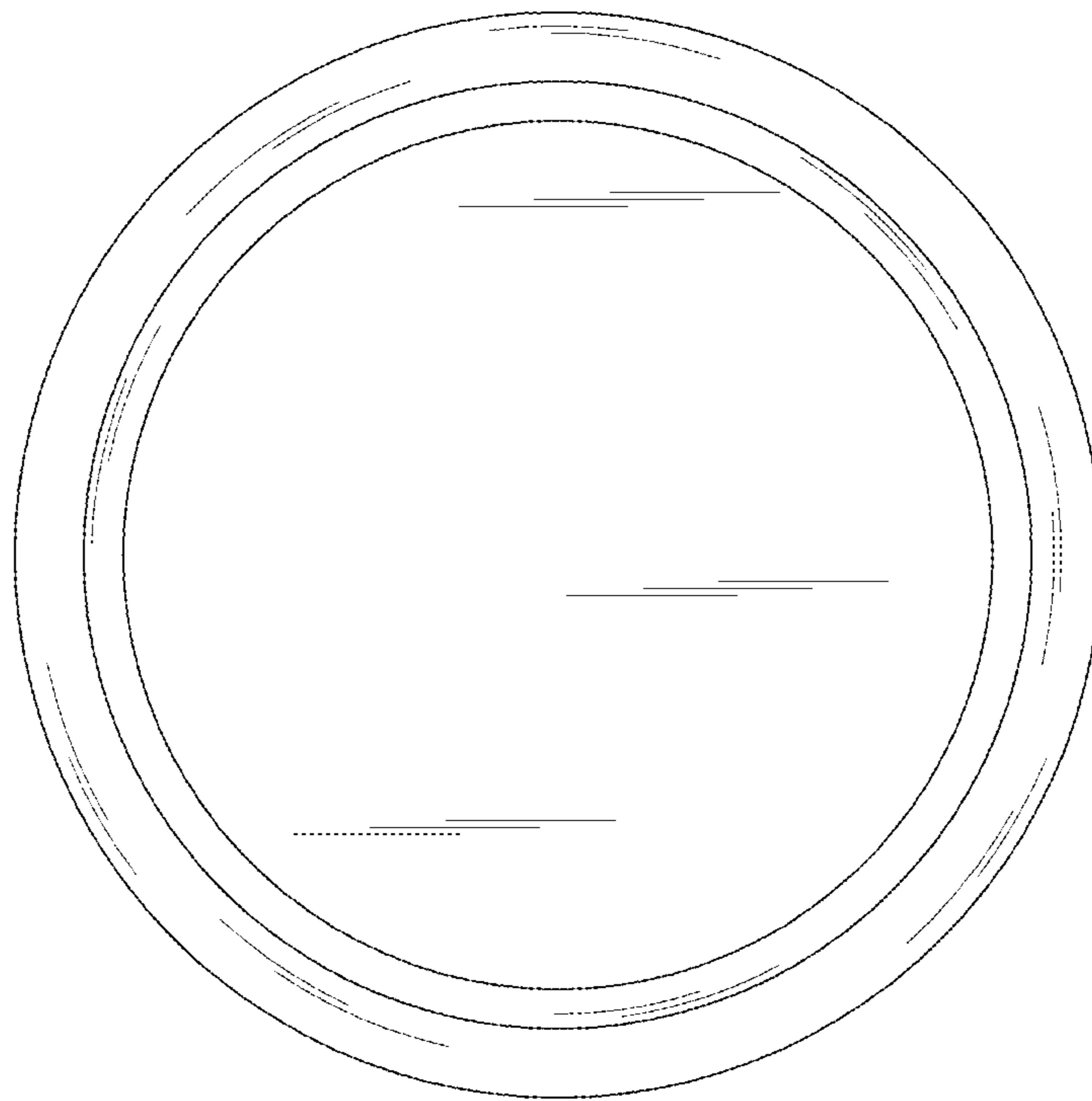


FIG. 8

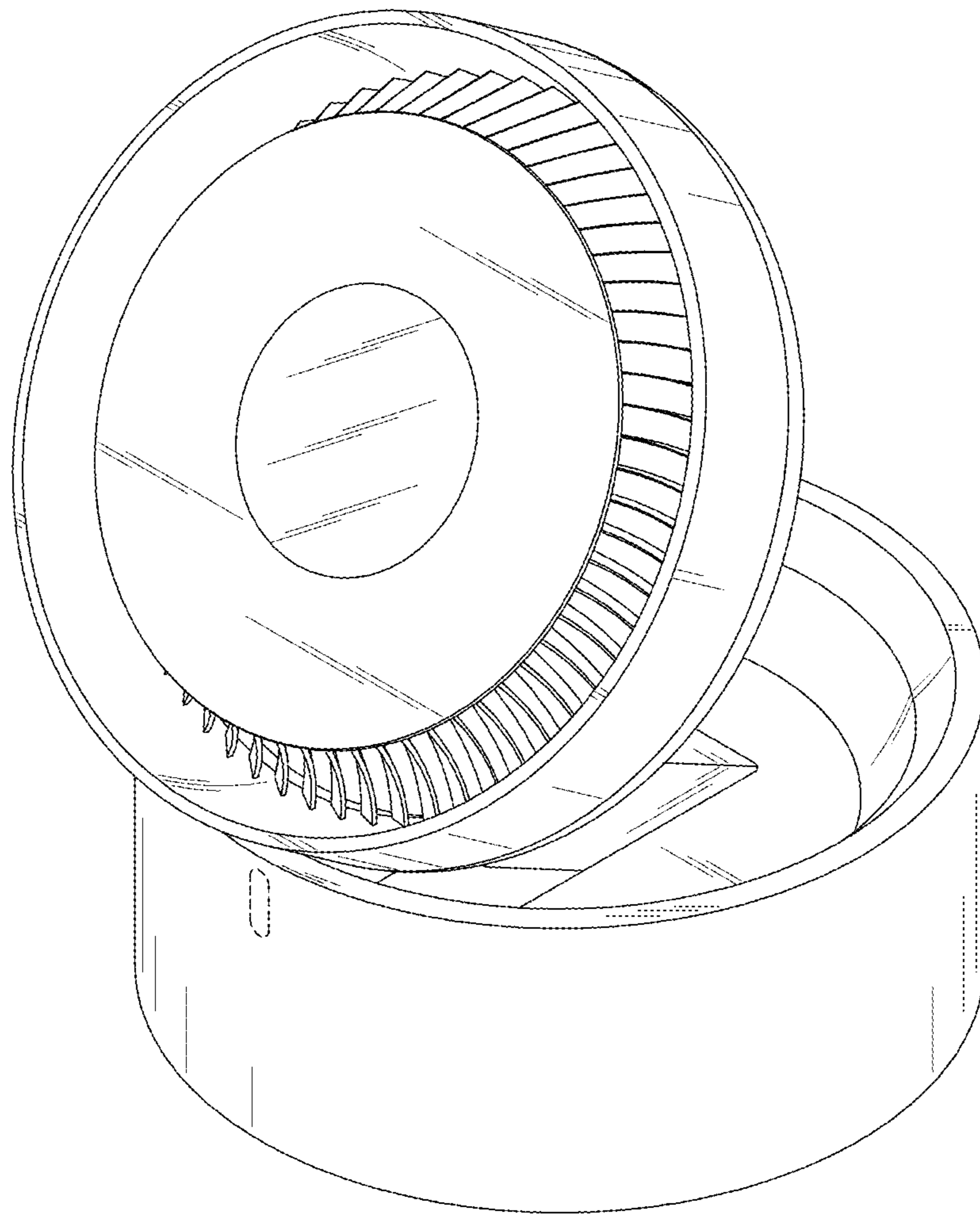


FIG. 9

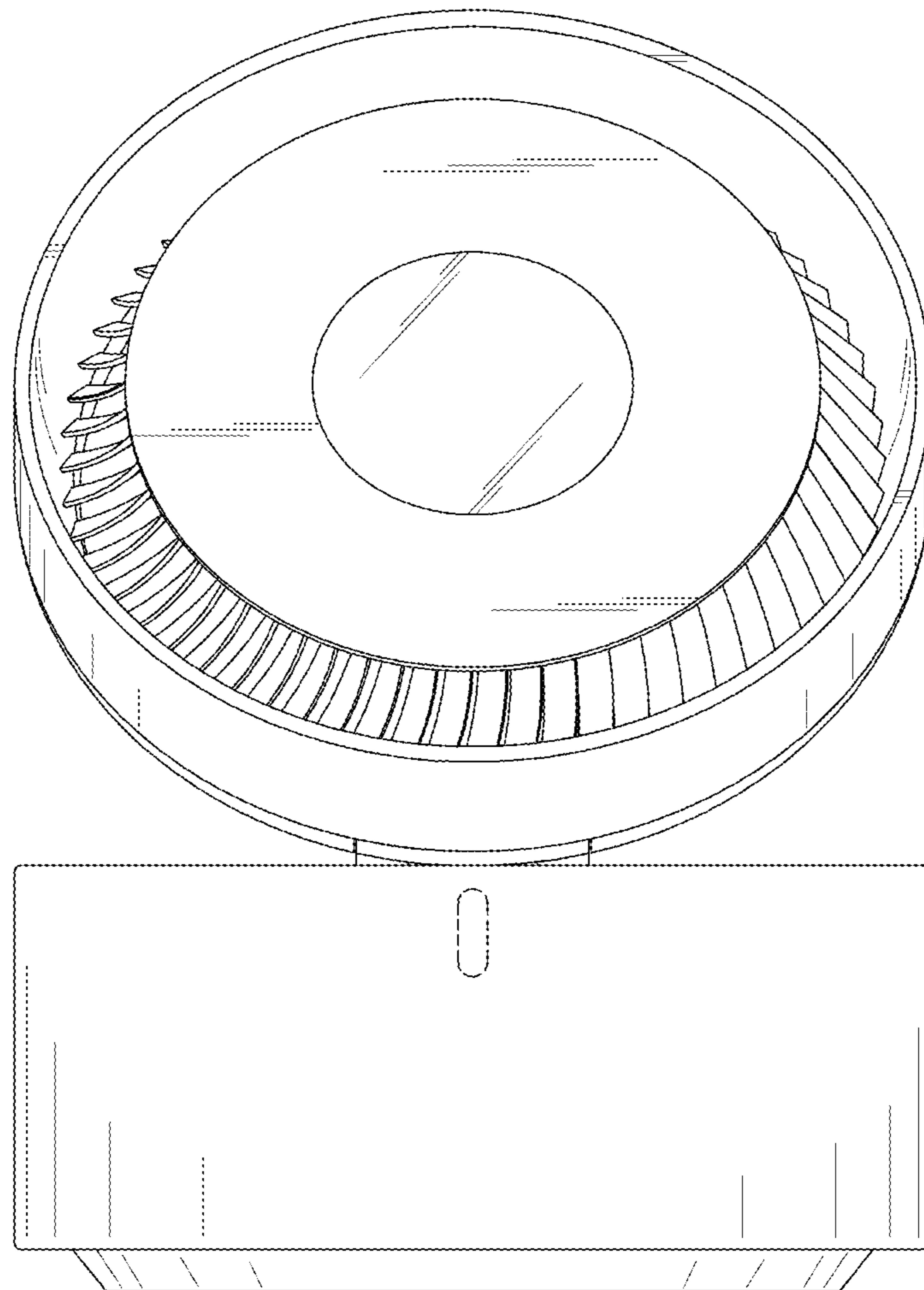


FIG. 10

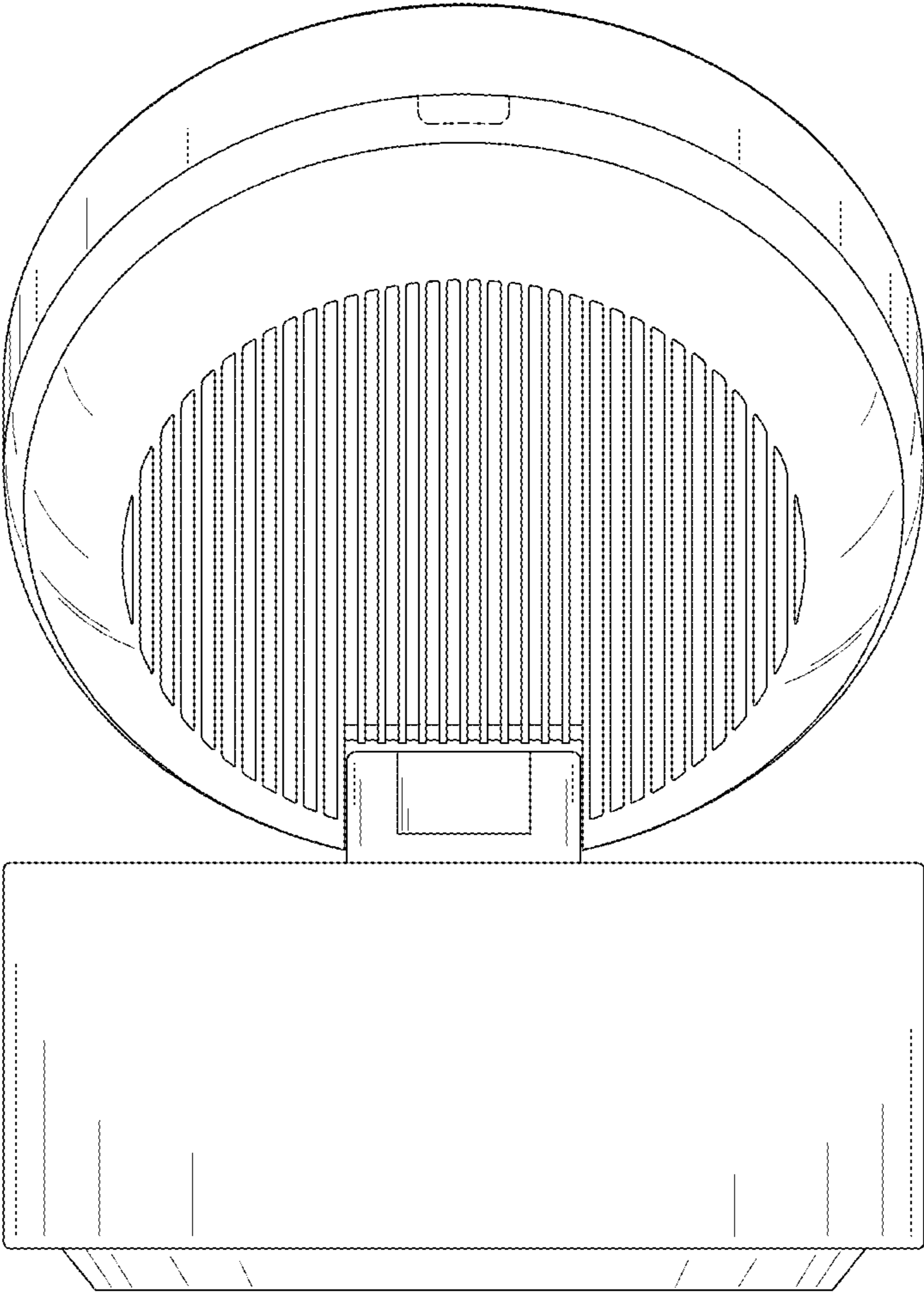


FIG. 11

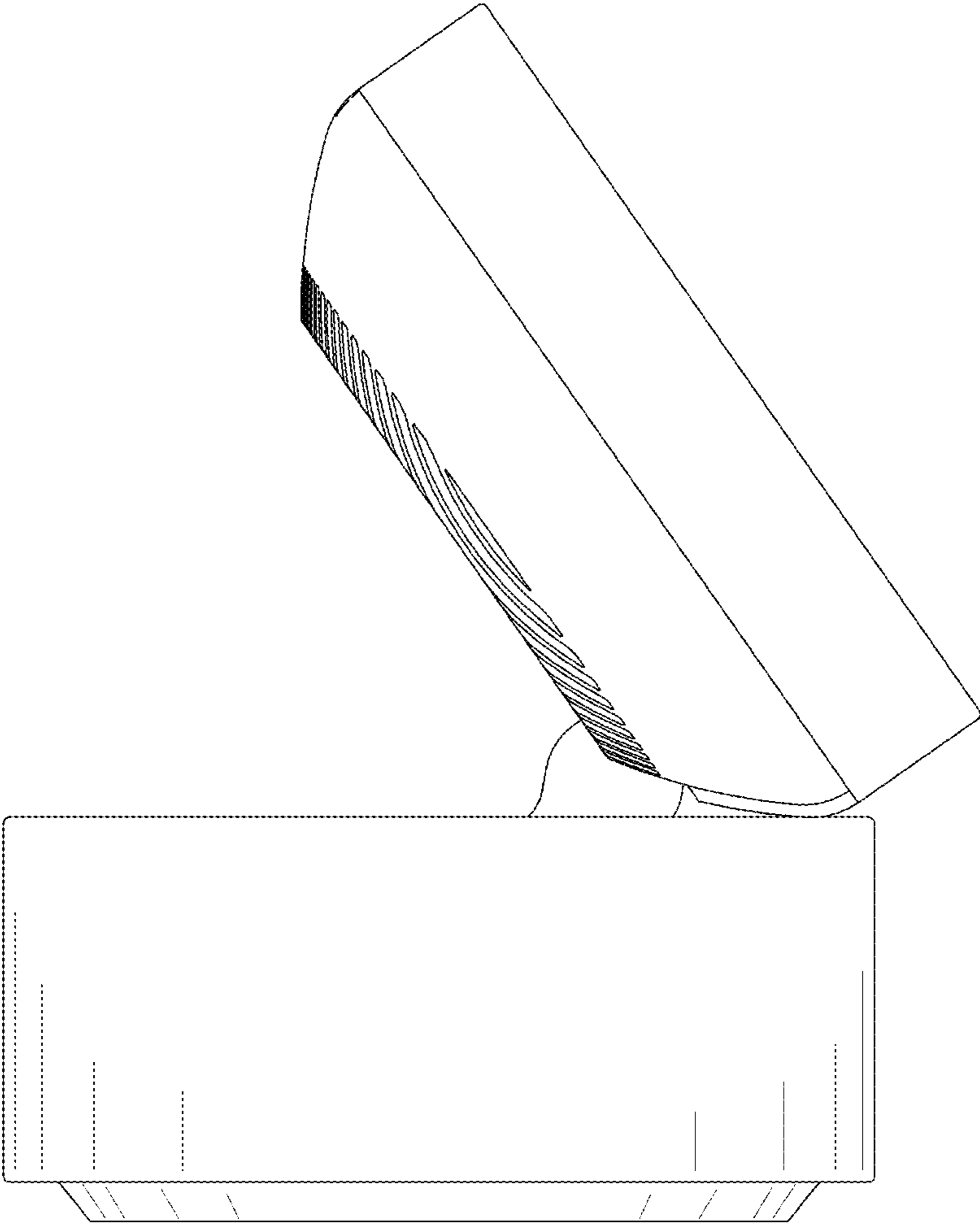


FIG. 12

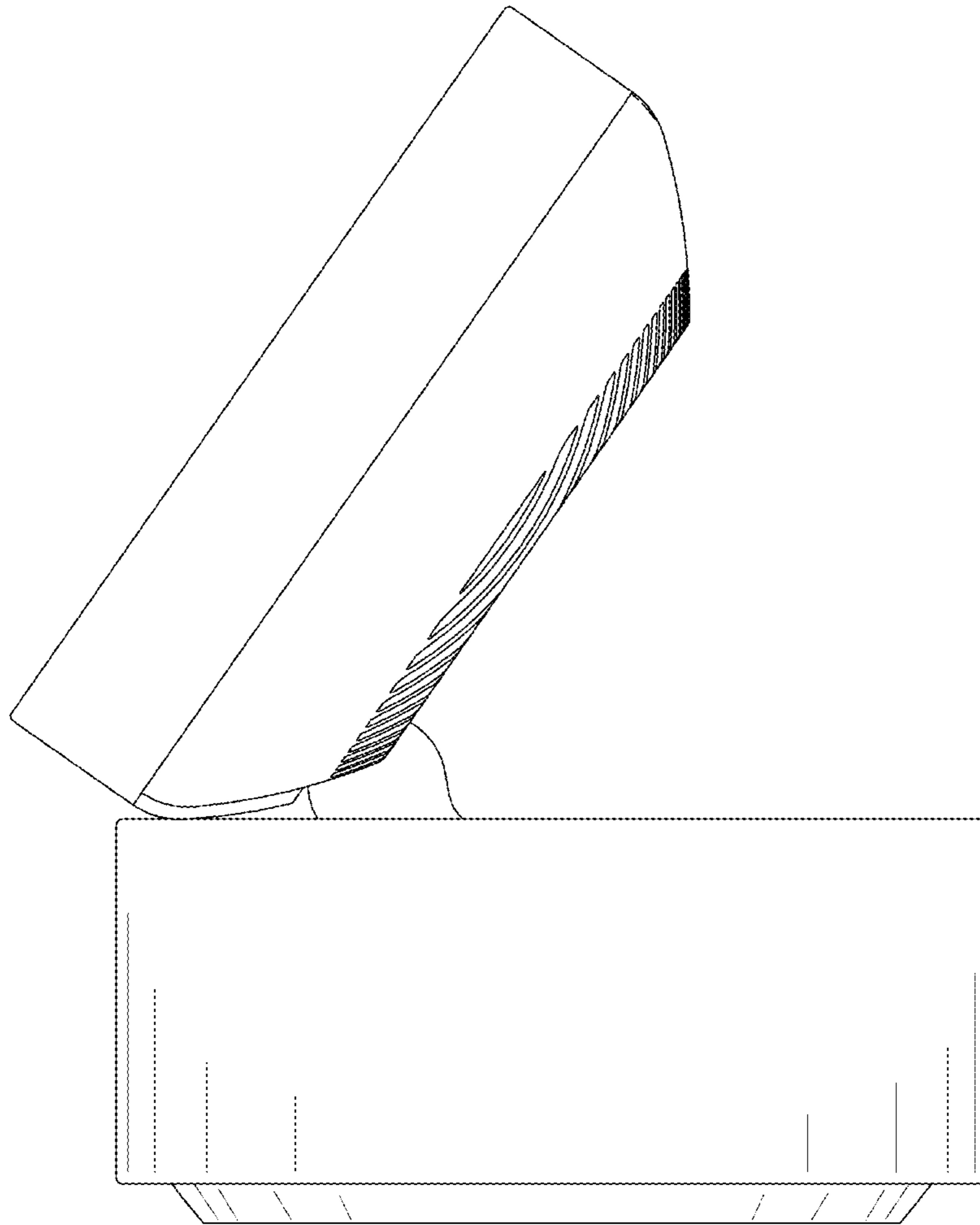


FIG. 13

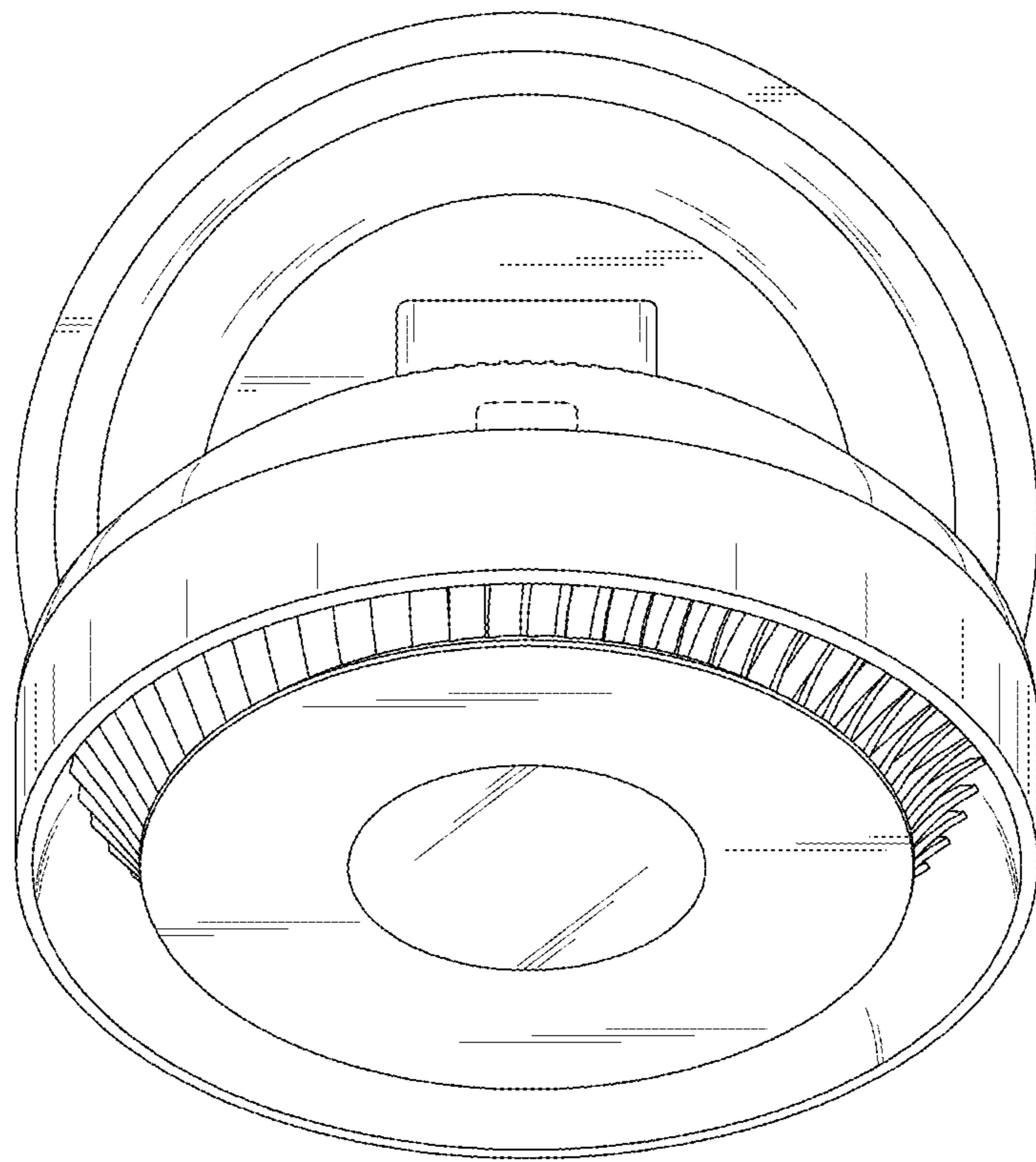


FIG. 14

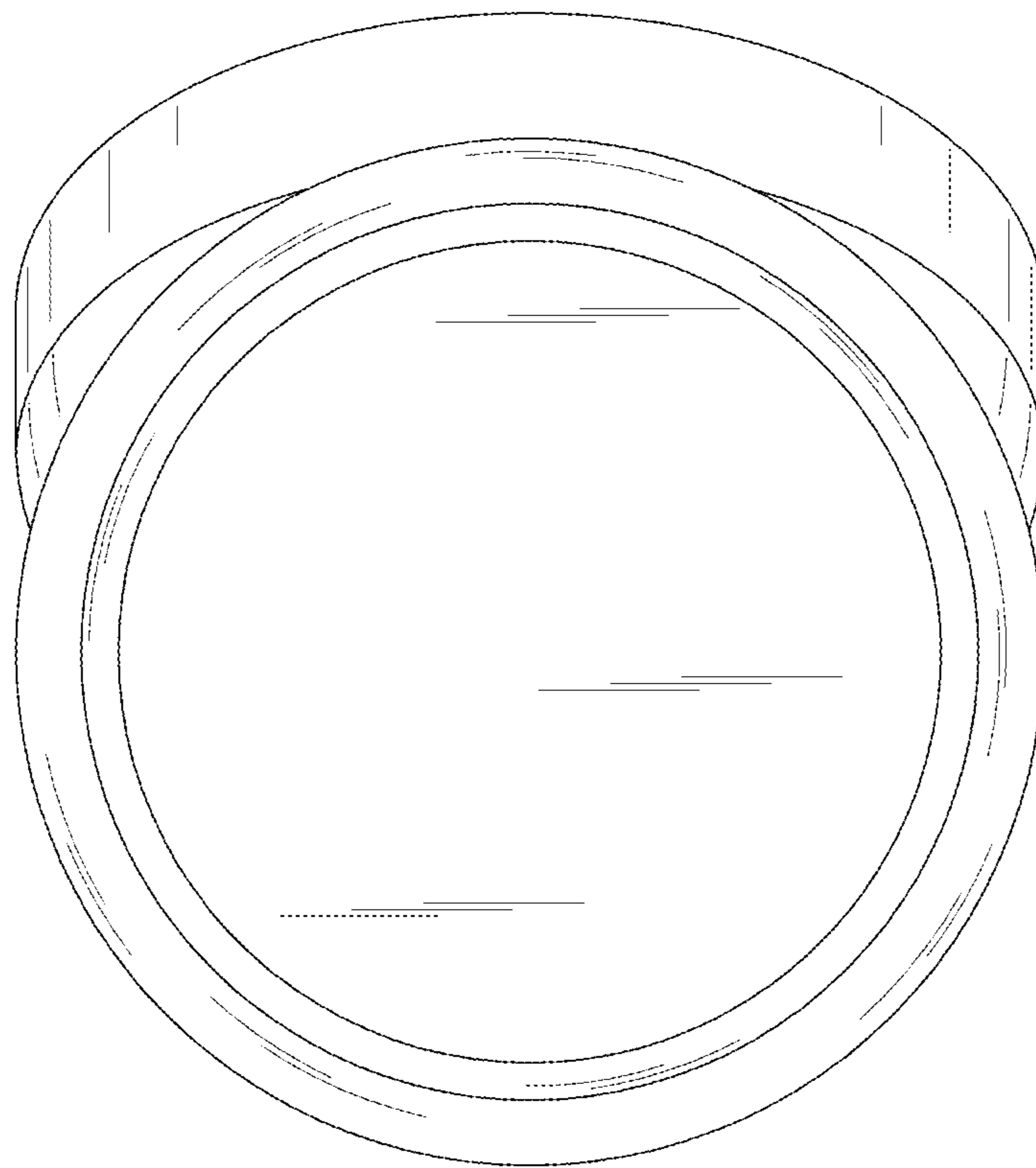




FIG. 15

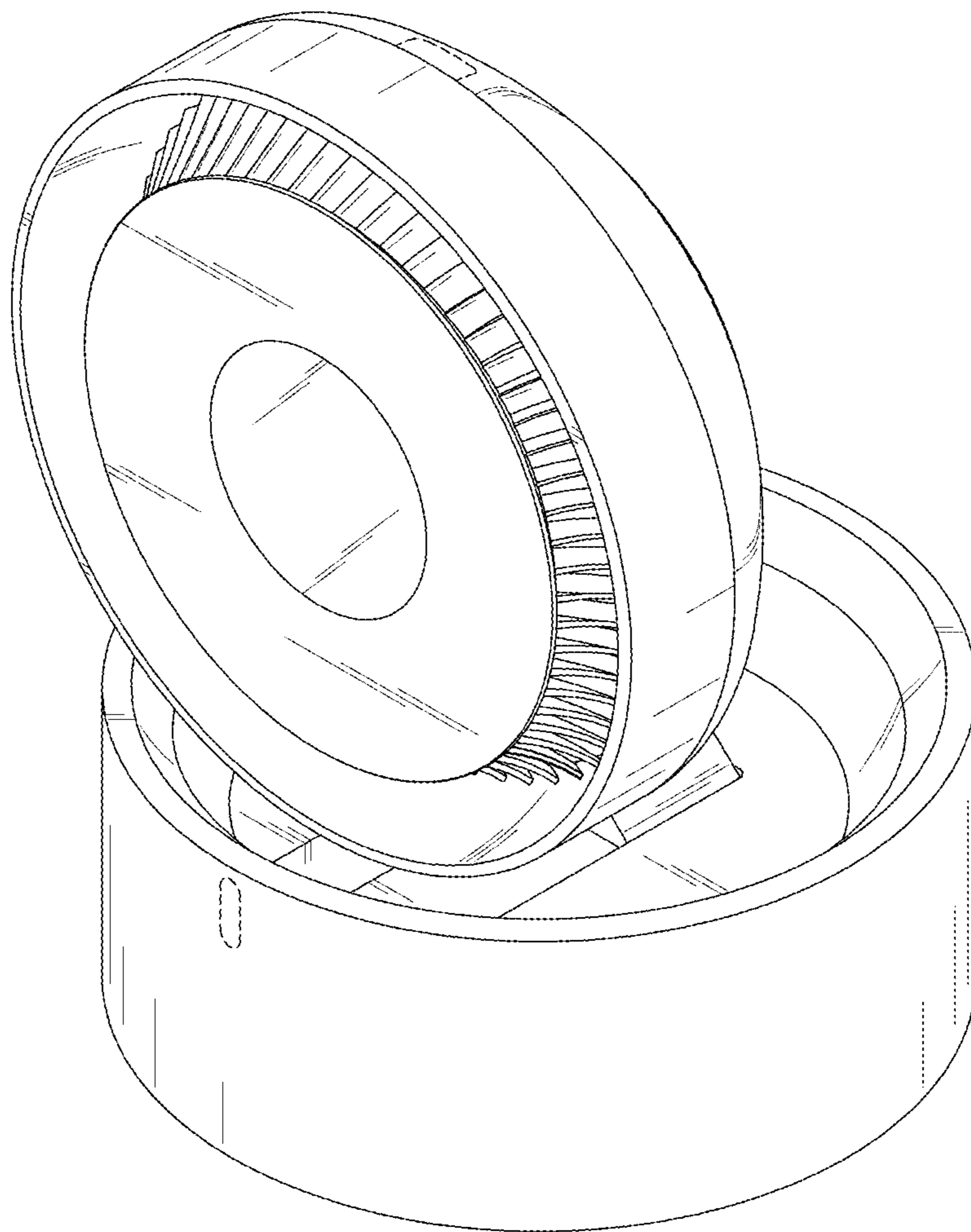


FIG. 16

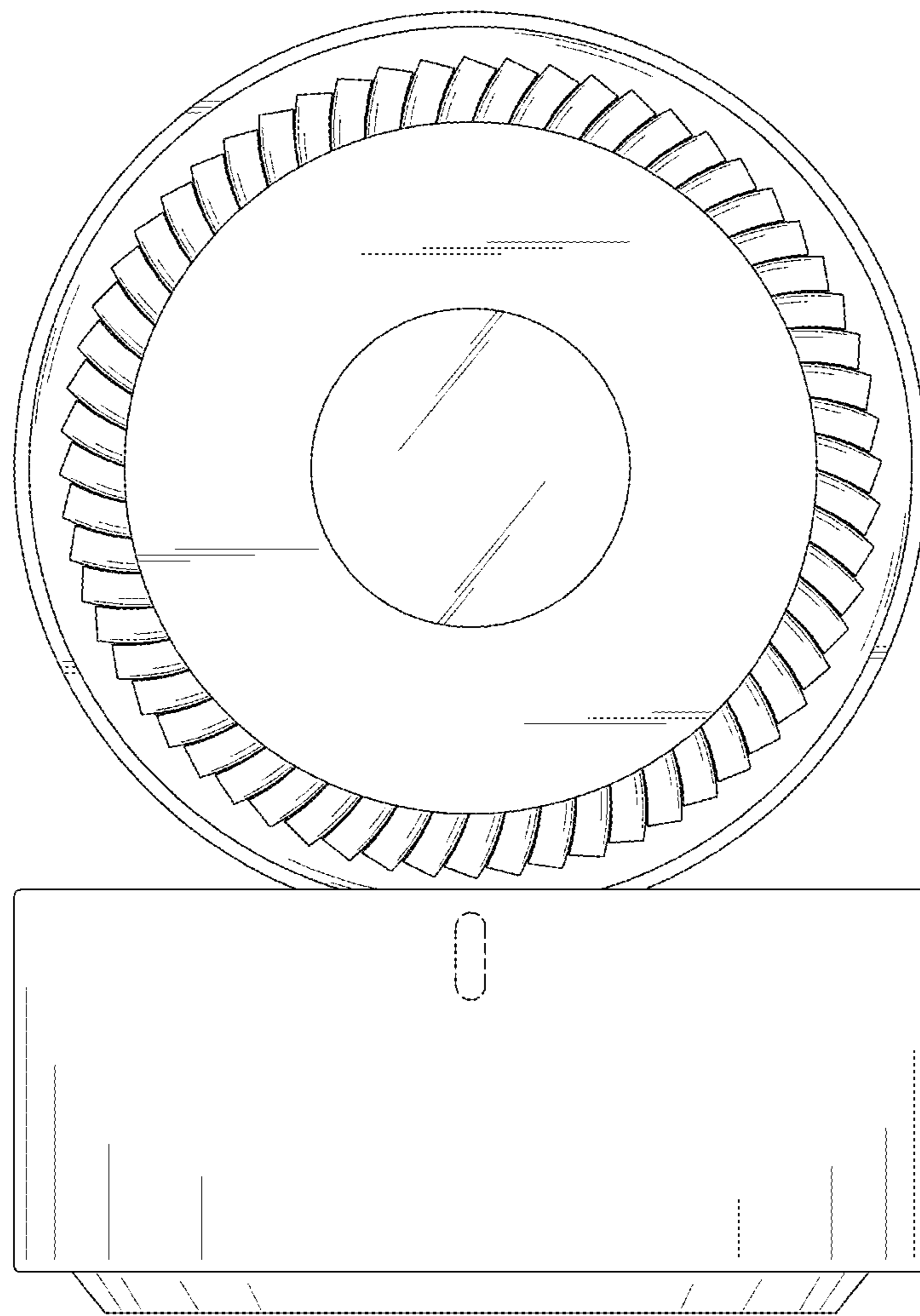


FIG. 17

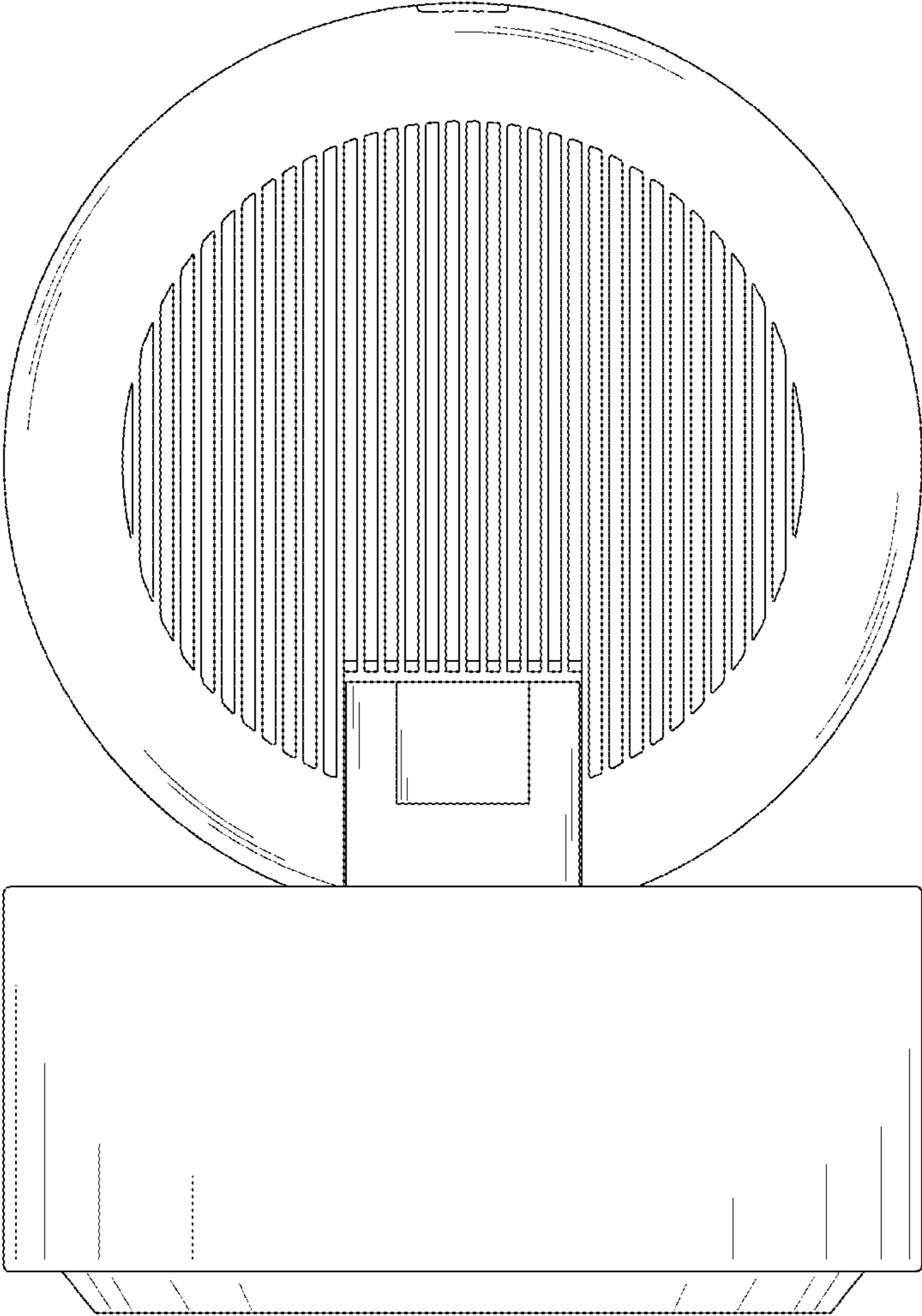


FIG. 18

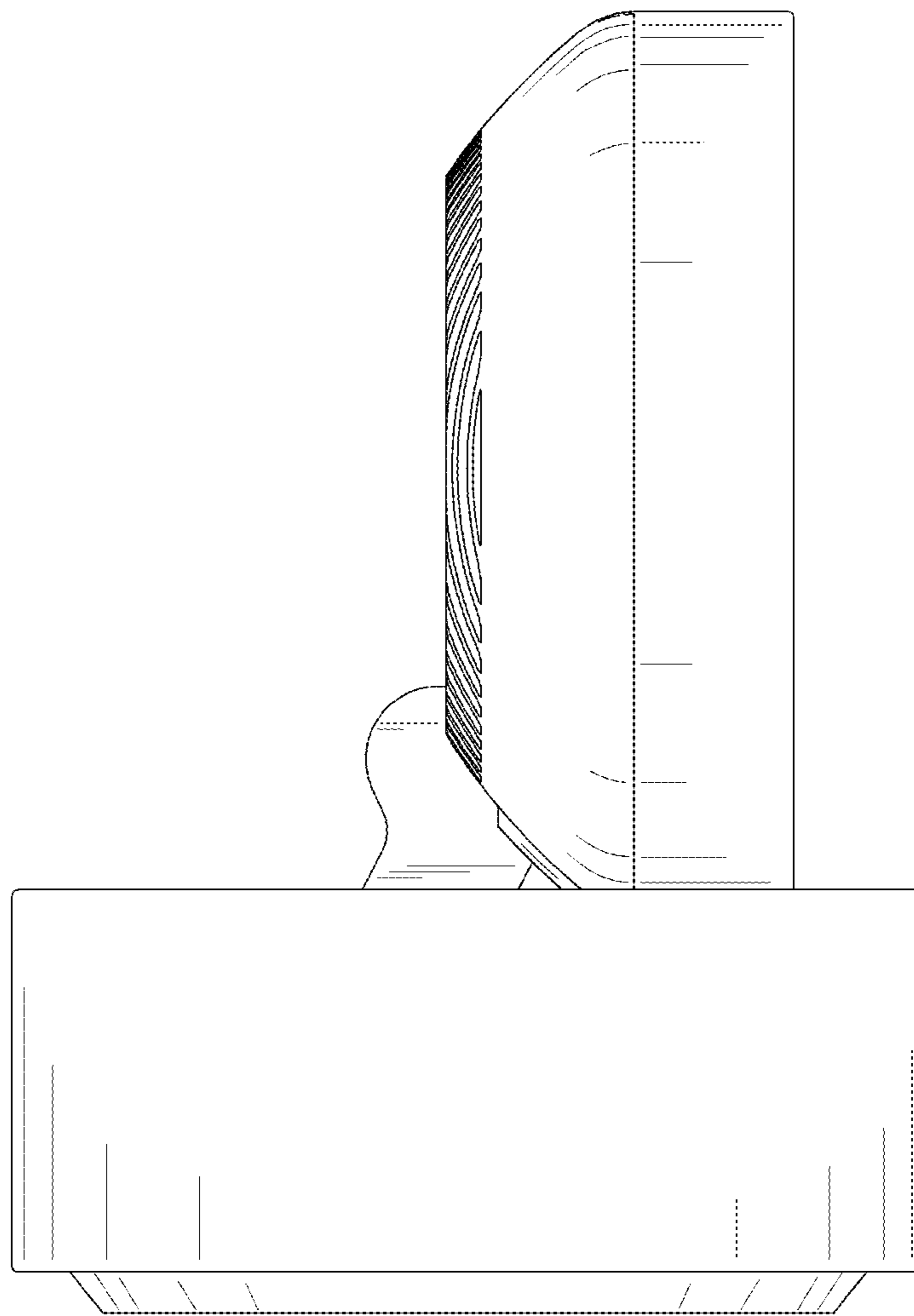


FIG. 19

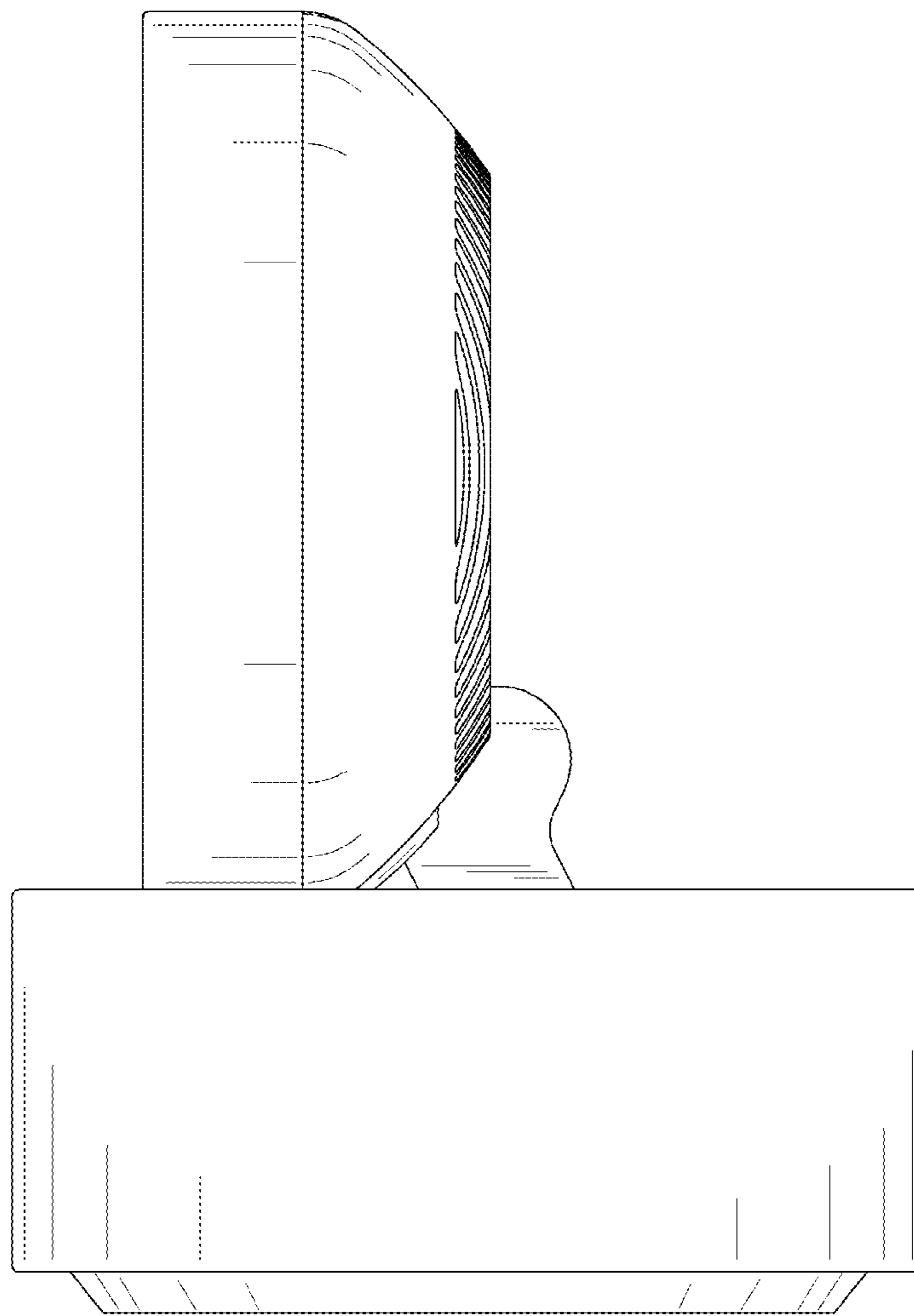


FIG. 20

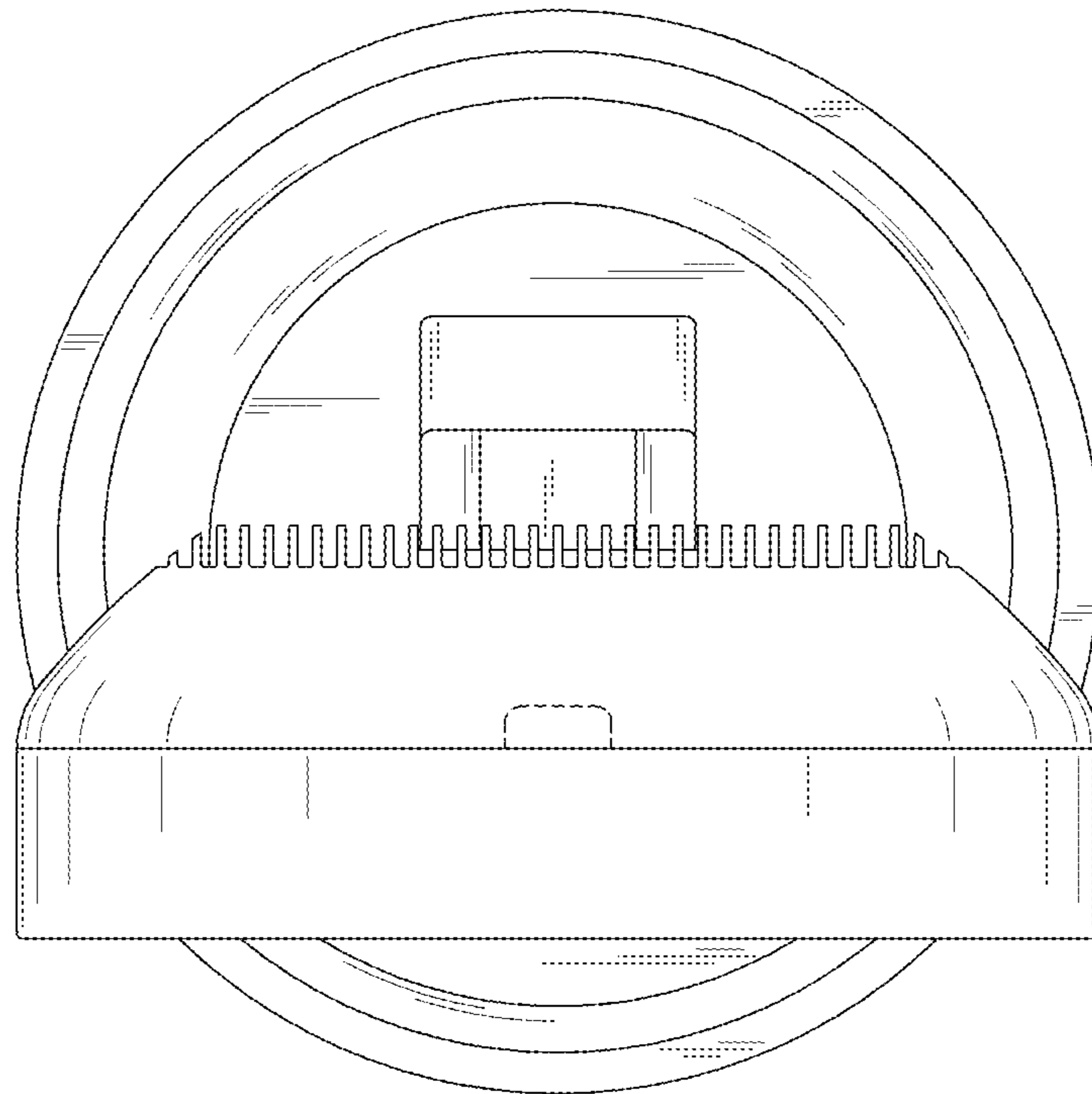


FIG. 21

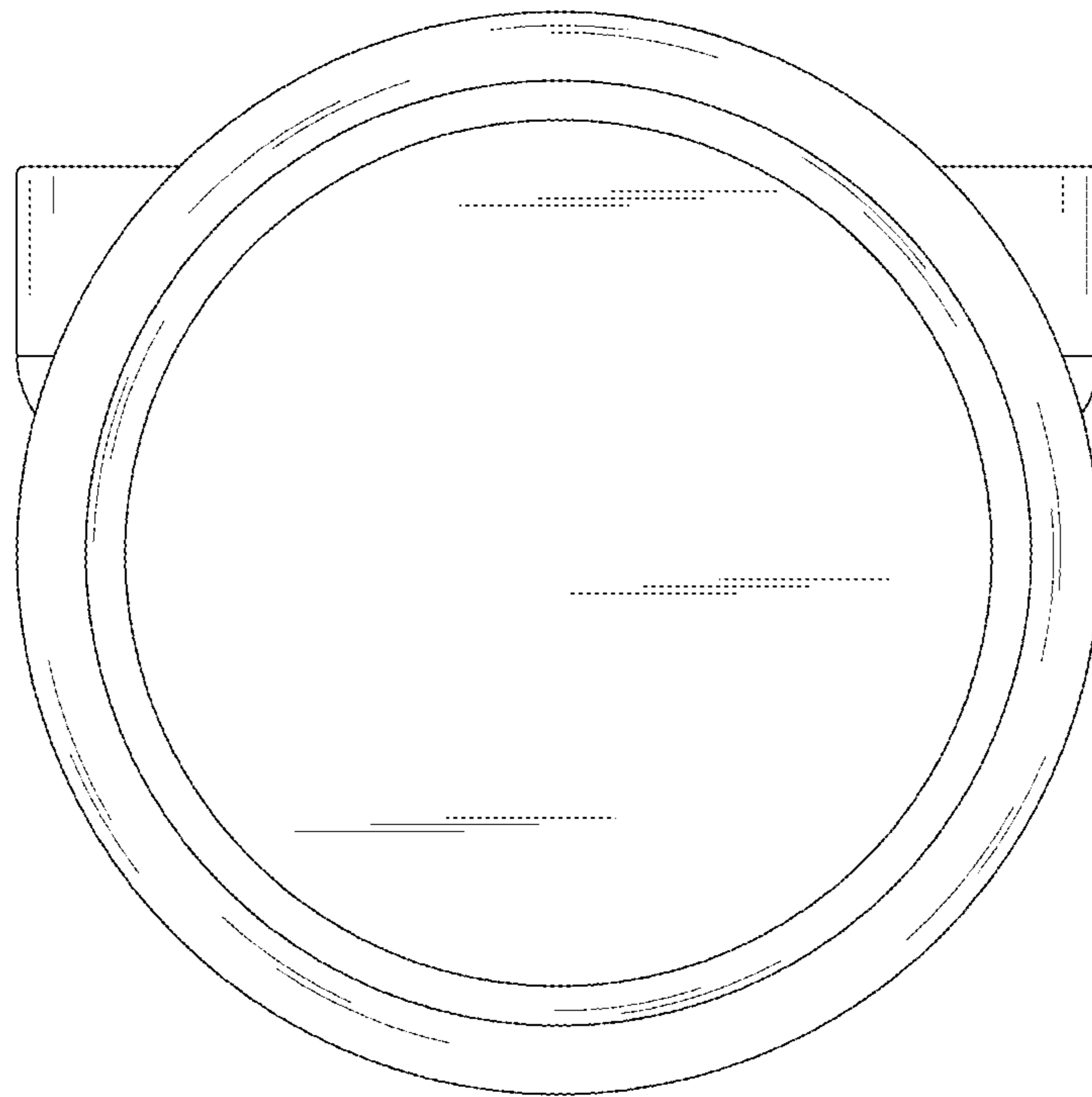


FIG. 22

