



US00D951410S

(12) **United States Design Patent** (10) **Patent No.:** **US D951,410 S**  
**Wang** (45) **Date of Patent:** **\*\* May 10, 2022**

- (54) **HEATER**
- (71) Applicant: **XIAMEN ECOTOP INDUSTRIAL CO., LTD**, Xiamen (CN)
- (72) Inventor: **Hongbin Wang**, Xiamen (CN)
- (\*\*) Term: **15 Years**
- (21) Appl. No.: **29/798,464**
- (22) Filed: **Jul. 8, 2021**
- (51) **LOC (13) Cl.** ..... **23-03**
- (52) **U.S. Cl.**  
USPC ..... **D23/332**
- (58) **Field of Classification Search**  
USPC ..... D23/314, 317, 332, 335, 337, 336, 338, D23/339, 340, 343  
CPC ..... F23D 14/10; F23C 3/002; F23C 3/006  
See application file for complete search history.

- 2004/0261780 A1\* 12/2004 Frink ..... F24C 3/006  
126/519
- 2012/0263443 A1\* 10/2012 Yen ..... F24H 9/14  
392/465
- 2013/0011800 A1\* 1/2013 Chen ..... F23D 5/045  
431/344
- 2013/0252188 A1\* 9/2013 Chen ..... F23D 14/06  
431/355

(Continued)

**FOREIGN PATENT DOCUMENTS**

EM 008608277-0001 \* 7/2021

**OTHER PUBLICATIONS**

[https://www.amazon.com/dp/B08HCYNMND/ref=cm\\_sw\\_r\\_em\\_api\\_glt\\_i\\_85CT95F9D6WPEEX28VFM](https://www.amazon.com/dp/B08HCYNMND/ref=cm_sw_r_em_api_glt_i_85CT95F9D6WPEEX28VFM) first available Jan. 30, 2021 (Year: 2021).\*

(Continued)

*Primary Examiner* — Ania Aman  
(74) *Attorney, Agent, or Firm* — Xiaofang Zhong; Law Office of Xiaofang Zhong, PLLC

(56) **References Cited**

**U.S. PATENT DOCUMENTS**

- 6,461,014 B1\* 10/2002 Lin ..... F21S 10/002  
362/101
- 7,175,424 B2\* 2/2007 Frink ..... F23D 14/28  
239/18
- D675,303 S 1/2013 Raupach et al.
- D791,290 S 7/2017 Shapiro
- D804,001 S 11/2017 Cartwright et al.
- 10,101,036 B2\* 10/2018 Fuller ..... F24C 15/06
- D841,140 S 2/2019 Chen
- D841,783 S 2/2019 Hu
- 10,330,313 B2\* 6/2019 Huang ..... F23D 14/70
- D882,055 S 4/2020 Ediger et al.
- D888,211 S 6/2020 Kim et al.
- D896,937 S 9/2020 Yang
- D903,847 S 12/2020 Hernandez et al.
- D913,466 S 3/2021 Shen et al.
- D917,032 S 4/2021 Nakagawa
- D918,366 S 5/2021 Li
- D930,130 S\* 9/2021 Zioni ..... D23/335
- 11,221,147 B2\* 1/2022 Silverman ..... F24C 3/14

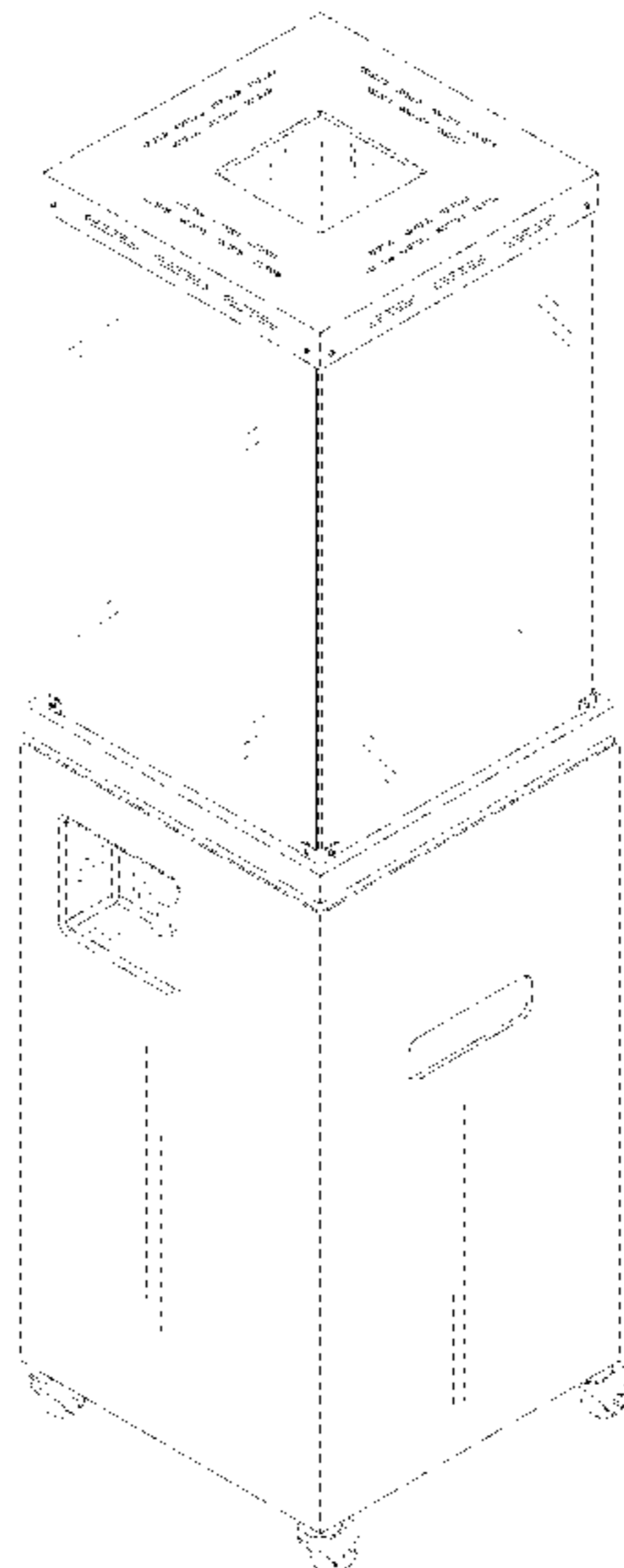
(57) **CLAIM**

The ornamental design for a heater, as shown and described.

**DESCRIPTION**

FIG. 1 is a perspective view of a heater showing my new design;  
FIG. 2 is another perspective view of the heater thereof;  
FIG. 3 is a front elevational view thereof;  
FIG. 4 is a back elevational view thereof;  
FIG. 5 is a left side view thereof;  
FIG. 6 is a right side view thereof;  
FIG. 7 is a top plan view thereof; and,  
FIG. 8 is a bottom plan view thereof.  
The broken lines in the drawings depict portions of the heater that form no part of the claimed design.

**1 Claim, 8 Drawing Sheets**



(56)

**References Cited**

U.S. PATENT DOCUMENTS

2014/0238282 A1\* 8/2014 Zhu ..... F24B 1/024  
110/297  
2015/0354817 A1\* 12/2015 Fuller ..... F24C 15/006  
126/90 R  
2016/0131394 A1\* 5/2016 Liang ..... F24H 9/0073  
126/90 R  
2019/0120501 A1\* 4/2019 Fuller ..... F24H 9/0068  
2021/0207810 A1\* 7/2021 Vlock ..... F24C 3/022

OTHER PUBLICATIONS

[https://www.amazon.com/dp/B09BJBNG8K/ref=sspa\\_dk\\_detail\\_0?spLa=ZW5jcnlwdGVkUXVhbGlmaWVyPUEyNDdlM0gxM0IxSII5JmVuY3J5cHRIZEikPUEwNTUwNDI0M0xDWUIDREJNUVM5MiZlbnNyeXB0ZWRBZEikPUExMDI2ODQ3MVU5VVdOT0gwODJUMiZ3aWRnZXROYW1IPXNwX2RldGFpbDlmYWN0aW9uPWNsaWNrUmVkaXJlY3QmZG9Ob3RMb2dDbGljaz10cnVI&th=1](https://www.amazon.com/dp/B09BJBNG8K/ref=sspa_dk_detail_0?spLa=ZW5jcnlwdGVkUXVhbGlmaWVyPUEyNDdlM0gxM0IxSII5JmVuY3J5cHRIZEikPUEwNTUwNDI0M0xDWUIDREJNUVM5MiZlbnNyeXB0ZWRBZEikPUExMDI2ODQ3MVU5VVdOT0gwODJUMiZ3aWRnZXROYW1IPXNwX2RldGFpbDlmYWN0aW9uPWNsaWNrUmVkaXJlY3QmZG9Ob3RMb2dDbGljaz10cnVI&th=1) (Year: 2021).\*

\* cited by examiner

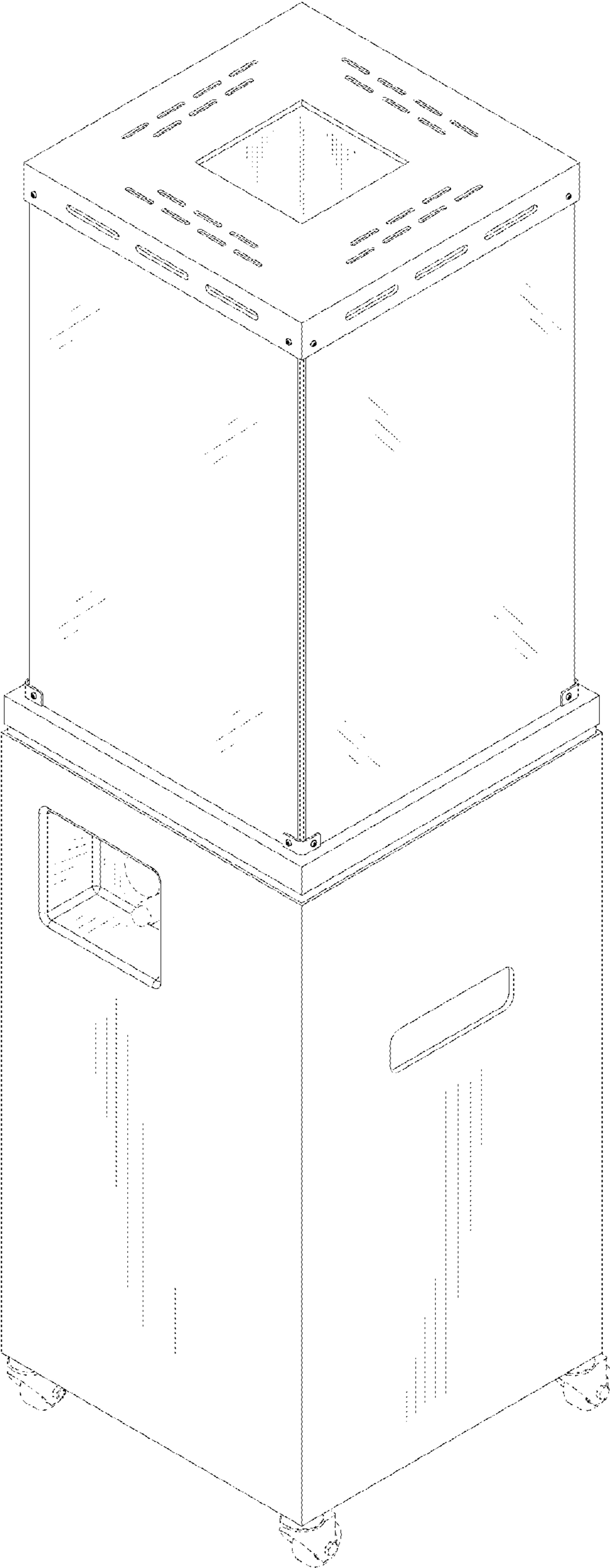


FIG. 1

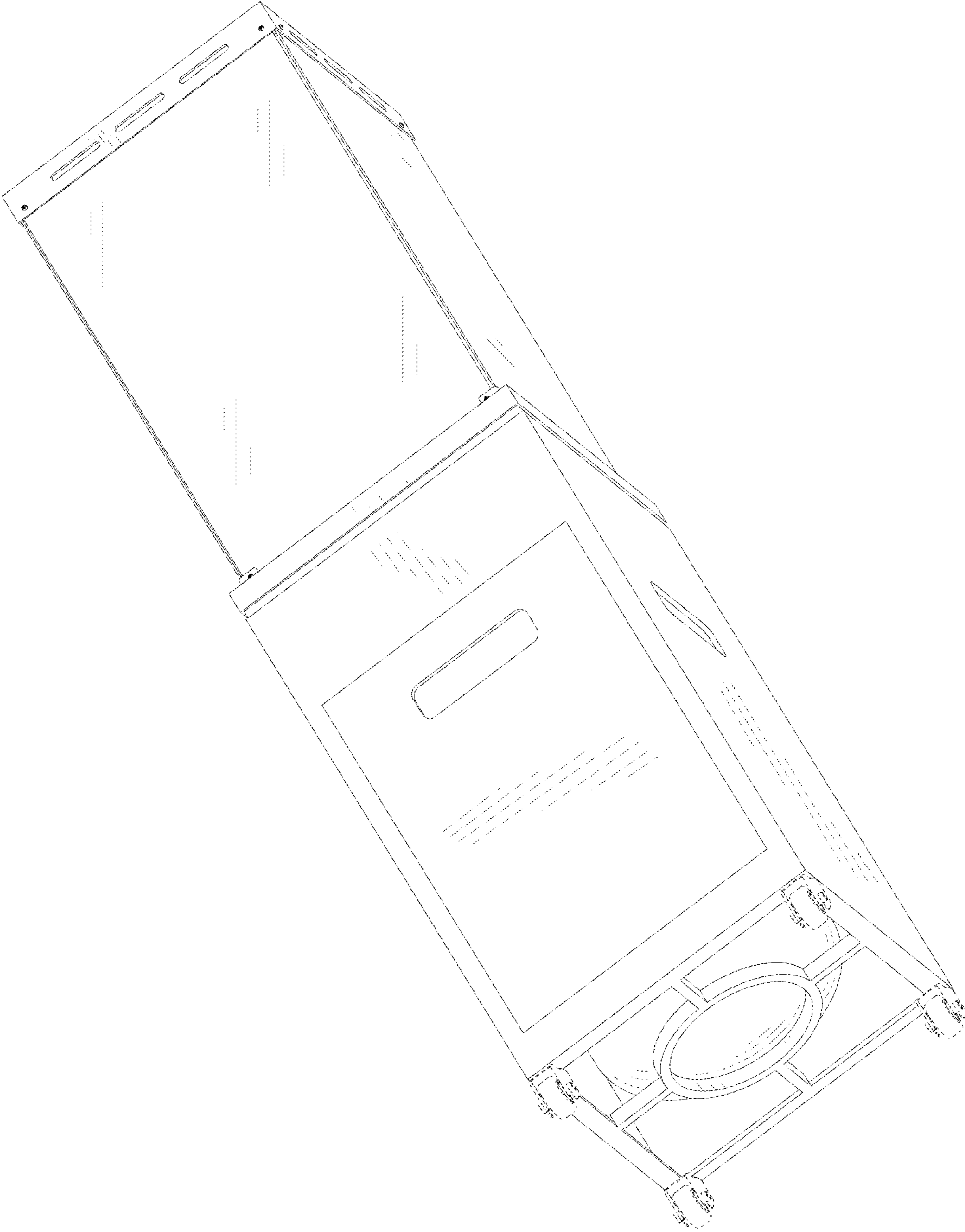


FIG. 2

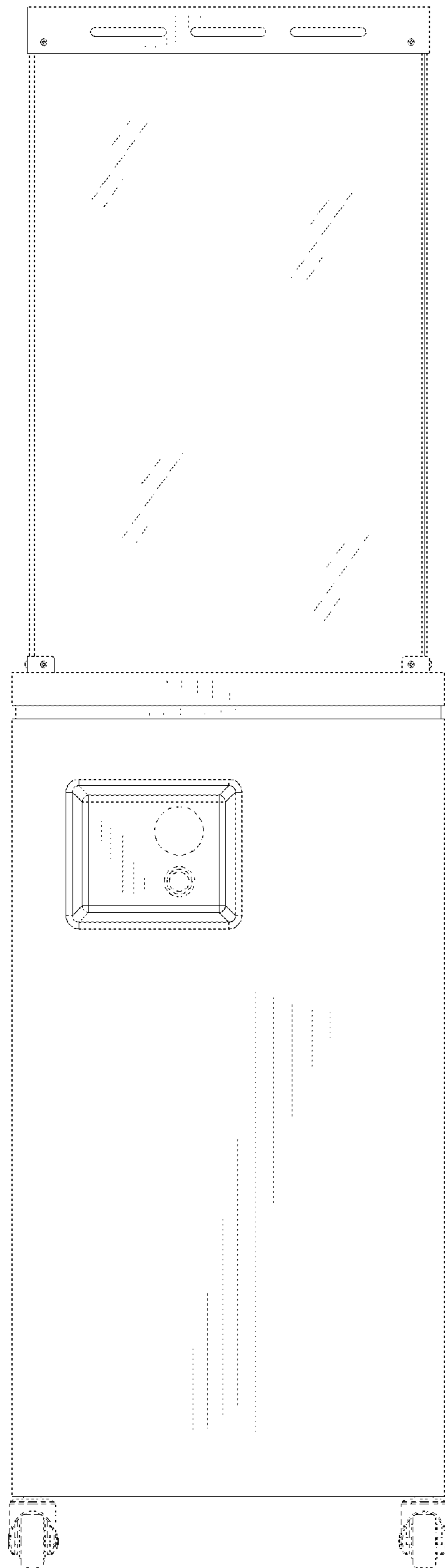


FIG. 3

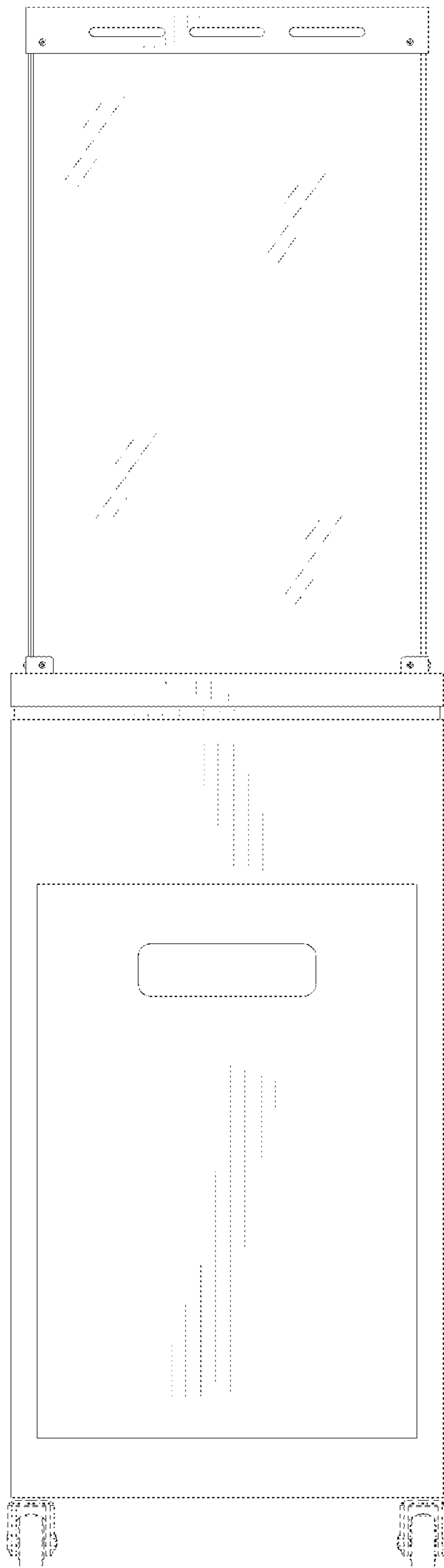


FIG. 4

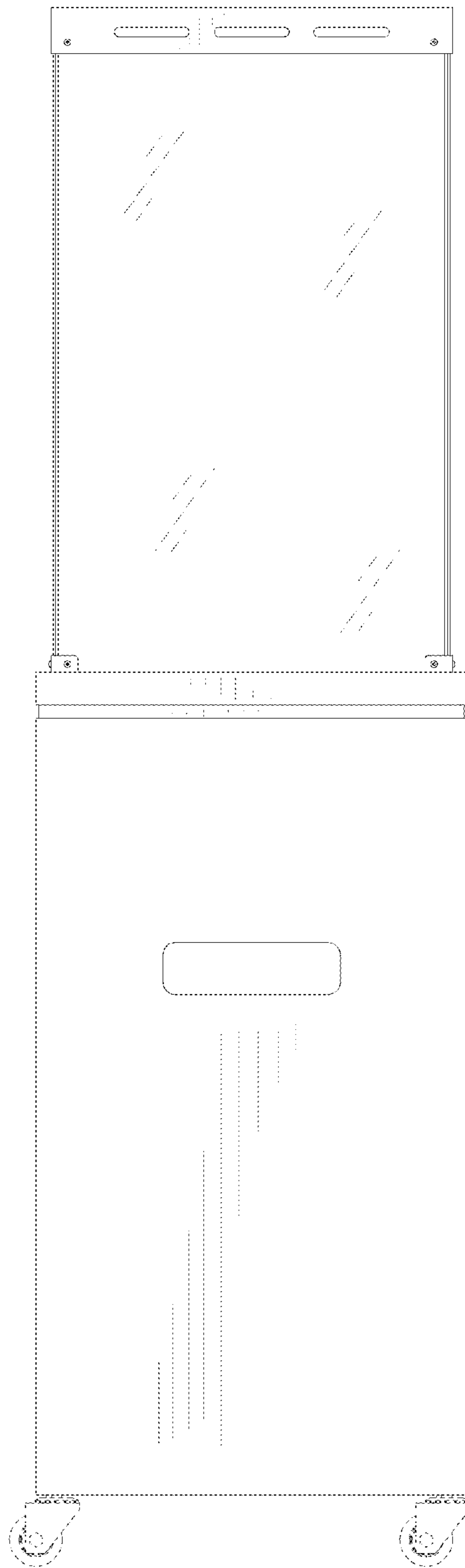


FIG.5

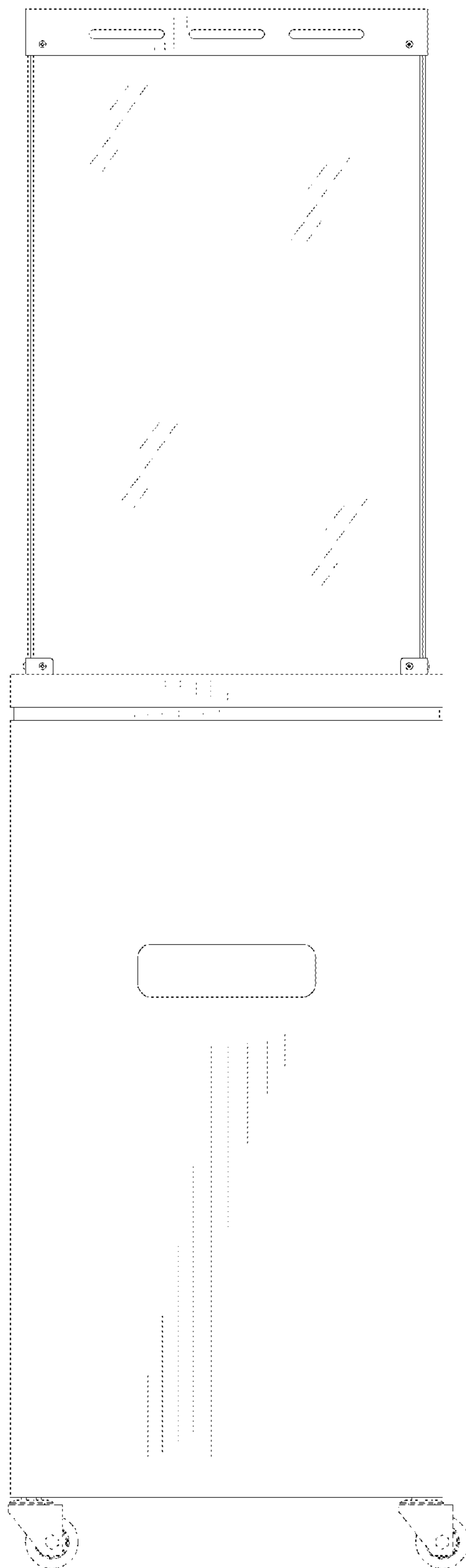


FIG. 6



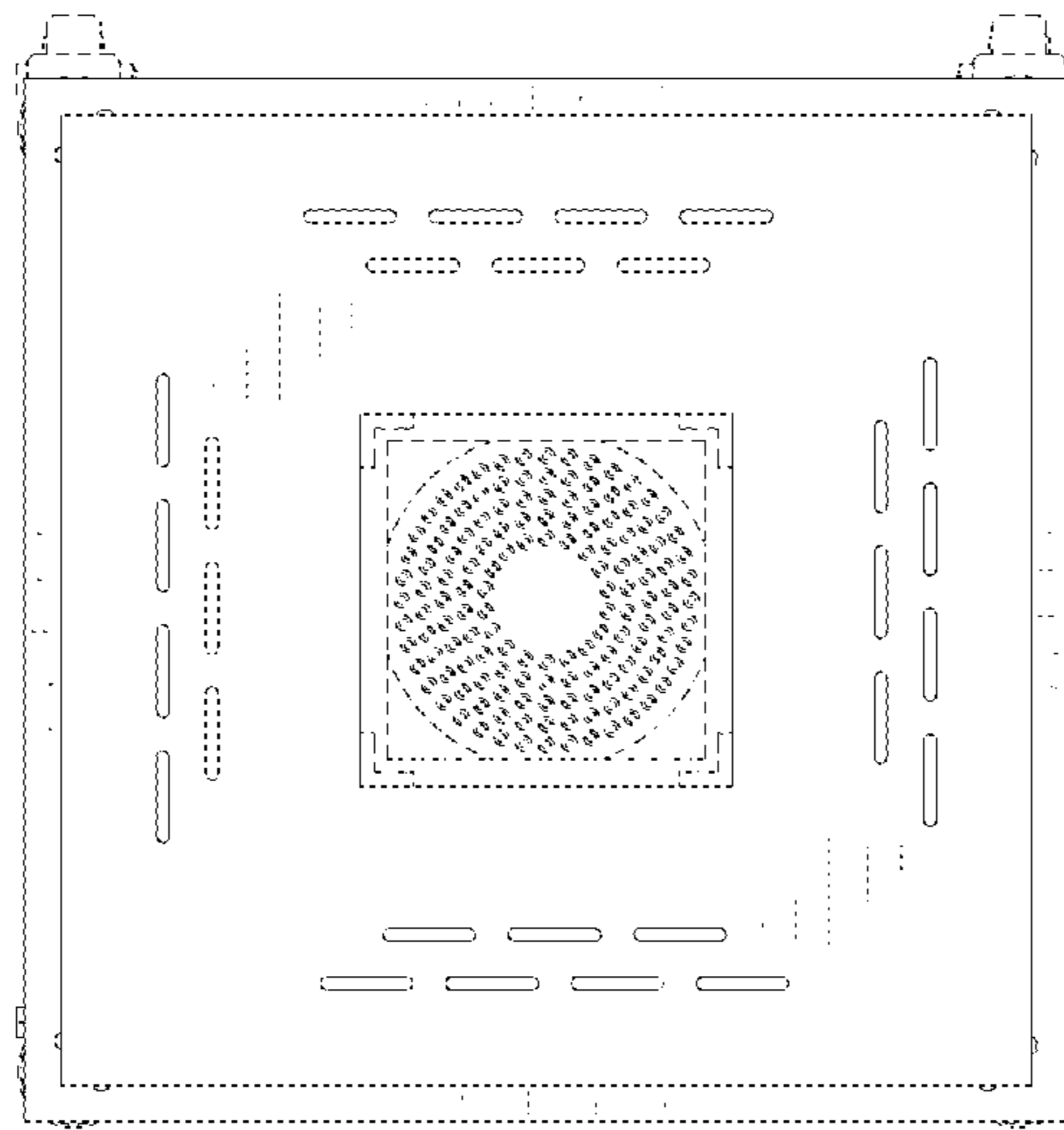


FIG. 7

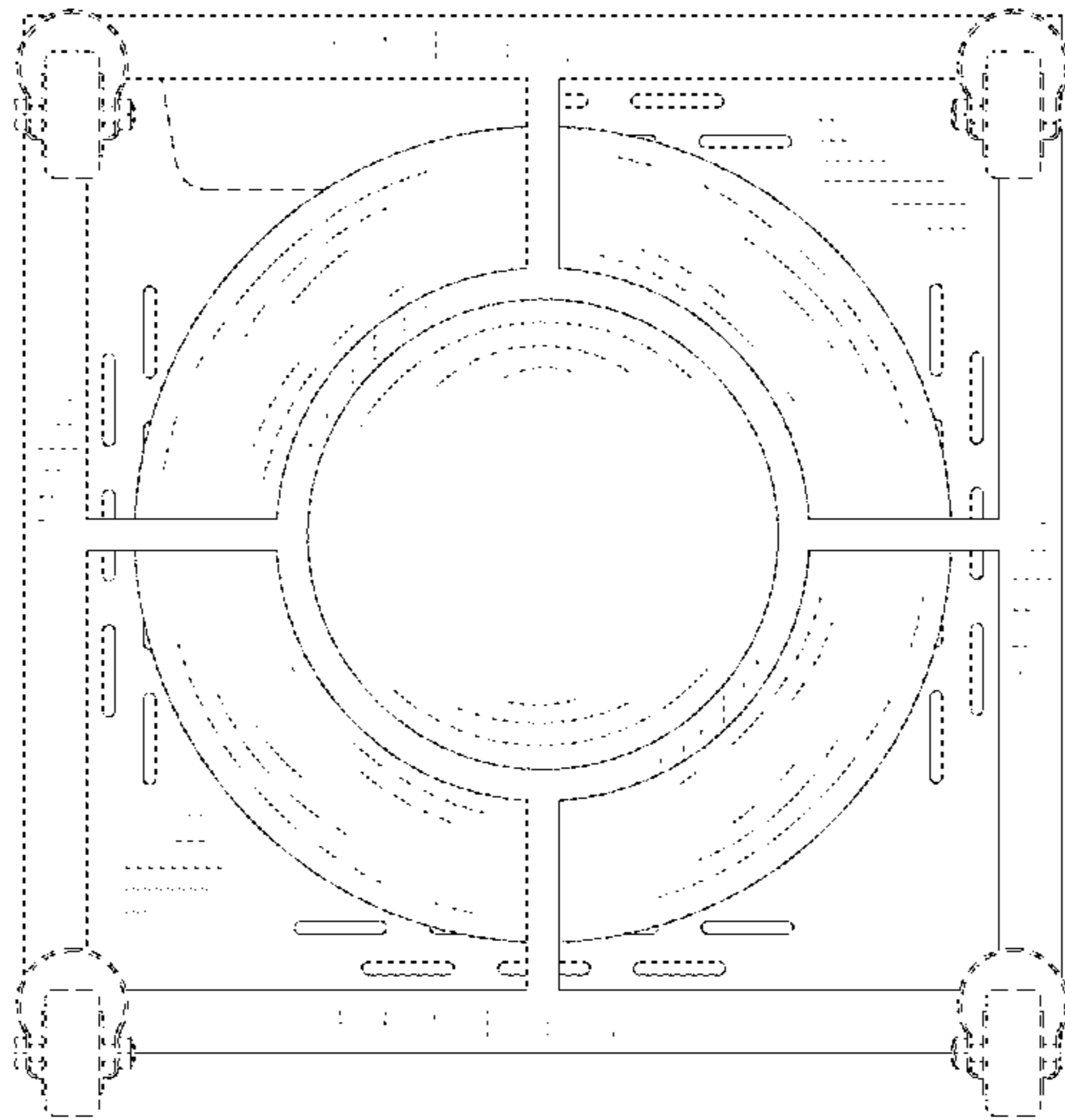


FIG. 8