



US00D951408S

(12) **United States Design Patent**  
**Sun**

(10) **Patent No.:** **US D951,408 S**

(45) **Date of Patent:** **\*\* May 10, 2022**

(54) **TOILET LID**

(71) Applicant: **Moen Incorporated**, North Olmsted,  
OH (US)

(72) Inventor: **Xinyu Sun**, Shanghai (CN)

(73) Assignee: **FB Global Plumbing Group LLC**,  
North Olmsted, OH (US)

(\*\*) Term: **15 Years**

(21) Appl. No.: **29/716,424**

(22) Filed: **Dec. 10, 2019**

(51) **LOC (13) Cl.** ..... **23-02**

(52) **U.S. Cl.**  
USPC ..... **D23/311**

(58) **Field of Classification Search**  
USPC ..... D23/295–296, 300–301, 311–312  
See application file for complete search history.

(56) **References Cited**

**U.S. PATENT DOCUMENTS**

D332,830 S	*	1/1993	Gerlach	.....	D23/311
D382,946 S		8/1997	Kawamura et al.		
D484,223 S		12/2003	Tani et al.		
D600,333 S	*	9/2009	Liu	.....	D23/295
D603,488 S		11/2009	Maruhashi		
D608,426 S		1/2010	Ando et al.		
D610,241 S		2/2010	Giovannoni		
D620,566 S		7/2010	Ogata et al.		
D639,399 S		6/2011	Takeuchi et al.		

D747,449 S		1/2016	Inomoto et al.		
D810,898 S		2/2018	Tsudoku et al.		
D811,565 S	*	2/2018	Dong	.....	D23/311
D862,666 S	*	10/2019	Song	.....	D23/295

\* cited by examiner

*Primary Examiner* — Robert A Delehanty

(74) *Attorney, Agent, or Firm* — Calfee, Halter &  
Griswold LLP

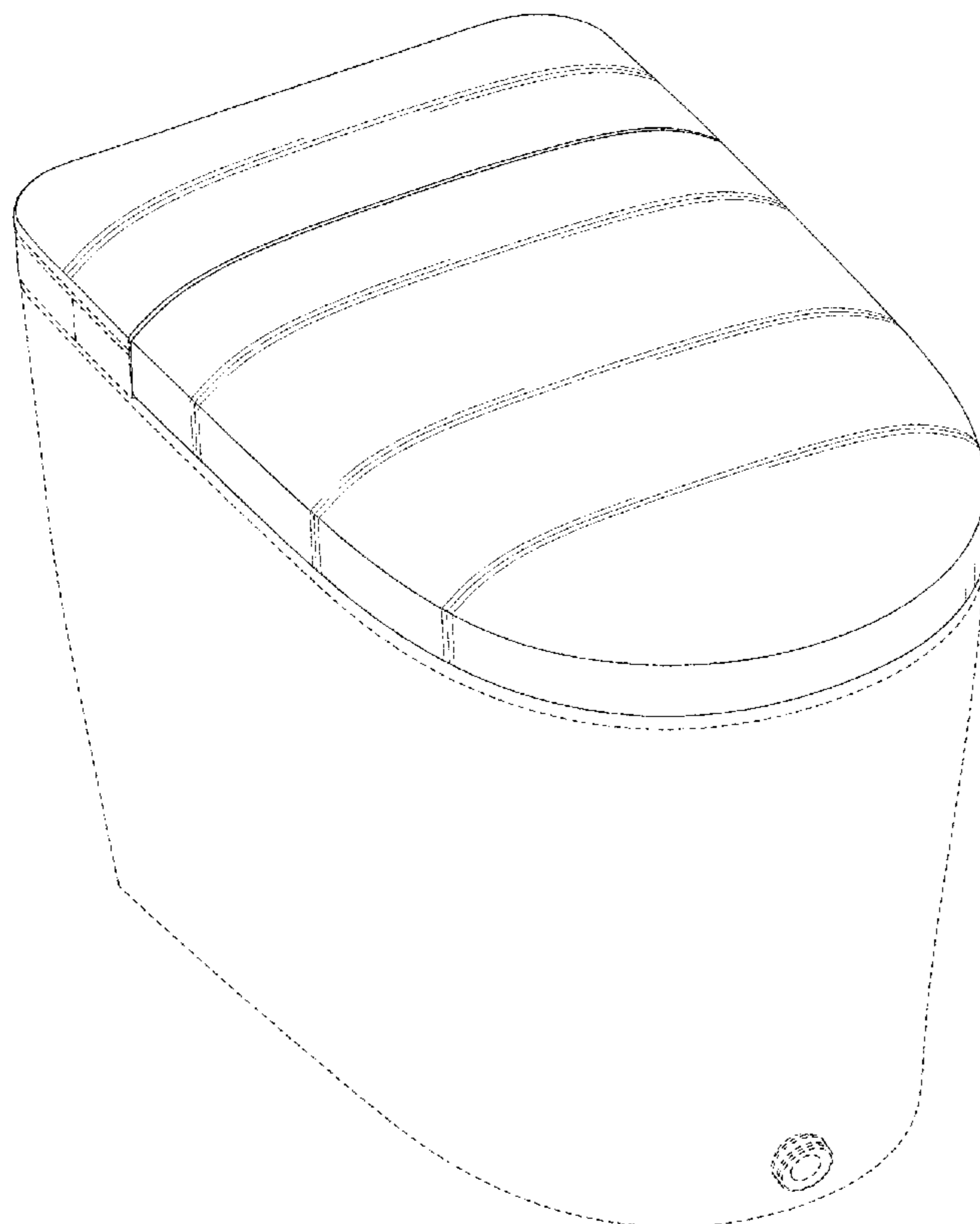
(57) **CLAIM**

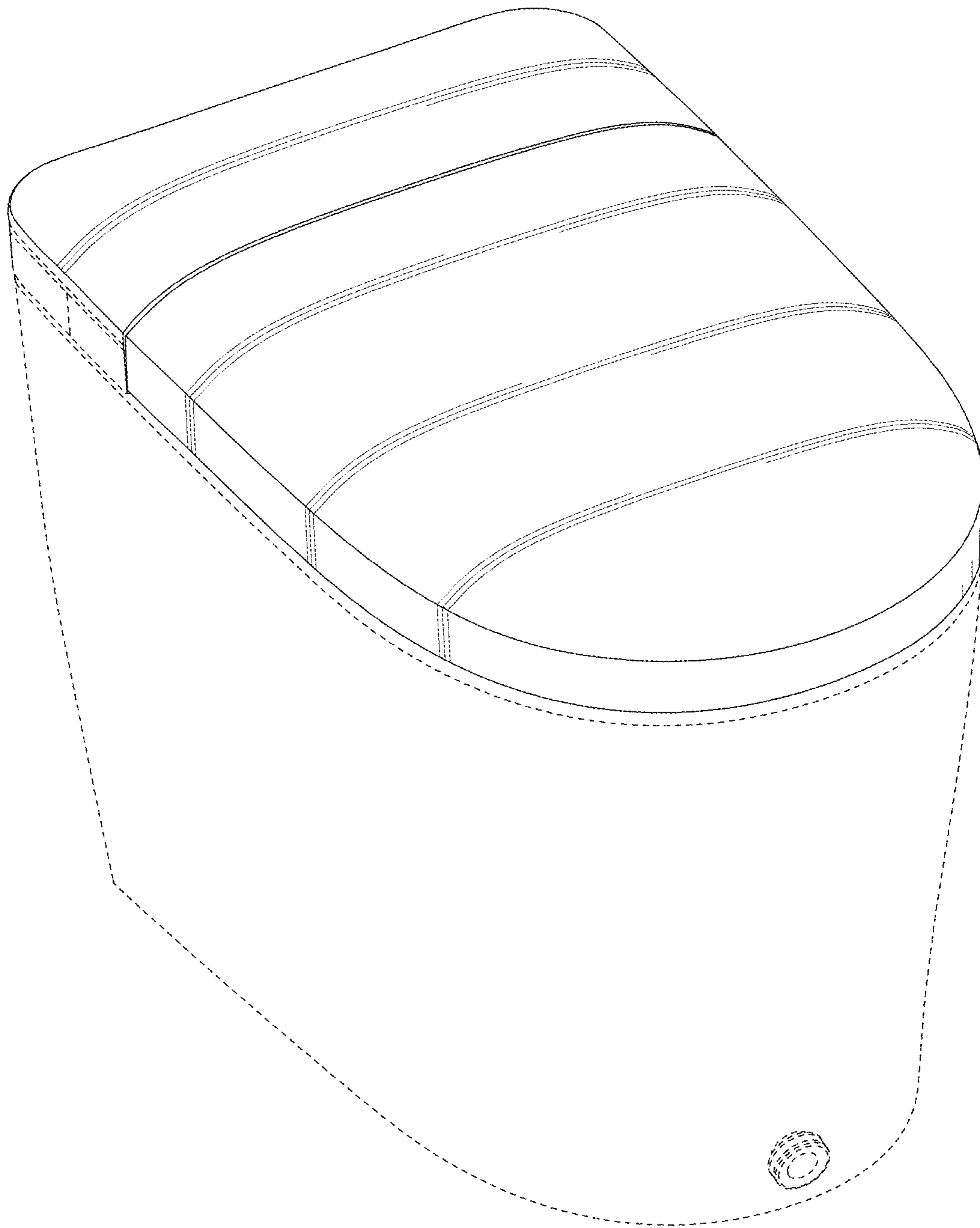
The ornamental design for a toilet lid, as shown and described.

**DESCRIPTION**

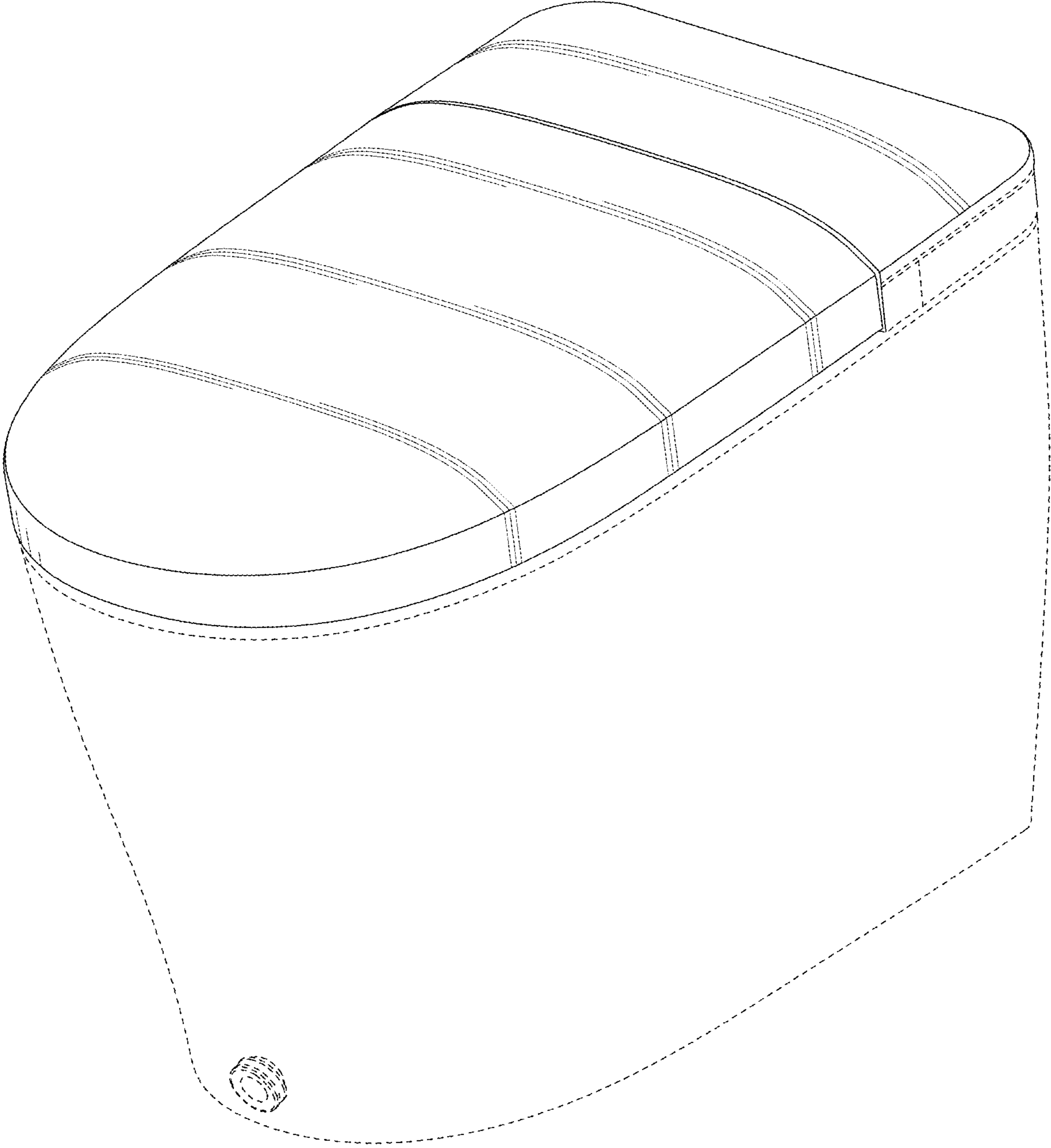
FIG. 1 is a front left perspective view of a toilet lid of the new design;  
FIG. 2 is a front right perspective view of the toilet lid of FIG. 1;  
FIG. 3 is a front elevational view of the toilet lid of FIG. 1;  
FIG. 4 is a left side elevational view of the toilet lid of FIG. 1;  
FIG. 5 is a right side elevational view of the toilet lid of FIG. 1; and,  
FIG. 6 is a top plan view of the toilet lid of FIG. 1.  
The portions of the Figures shown in broken lines are not part of the claimed design and are for illustration only.

**1 Claim, 6 Drawing Sheets**

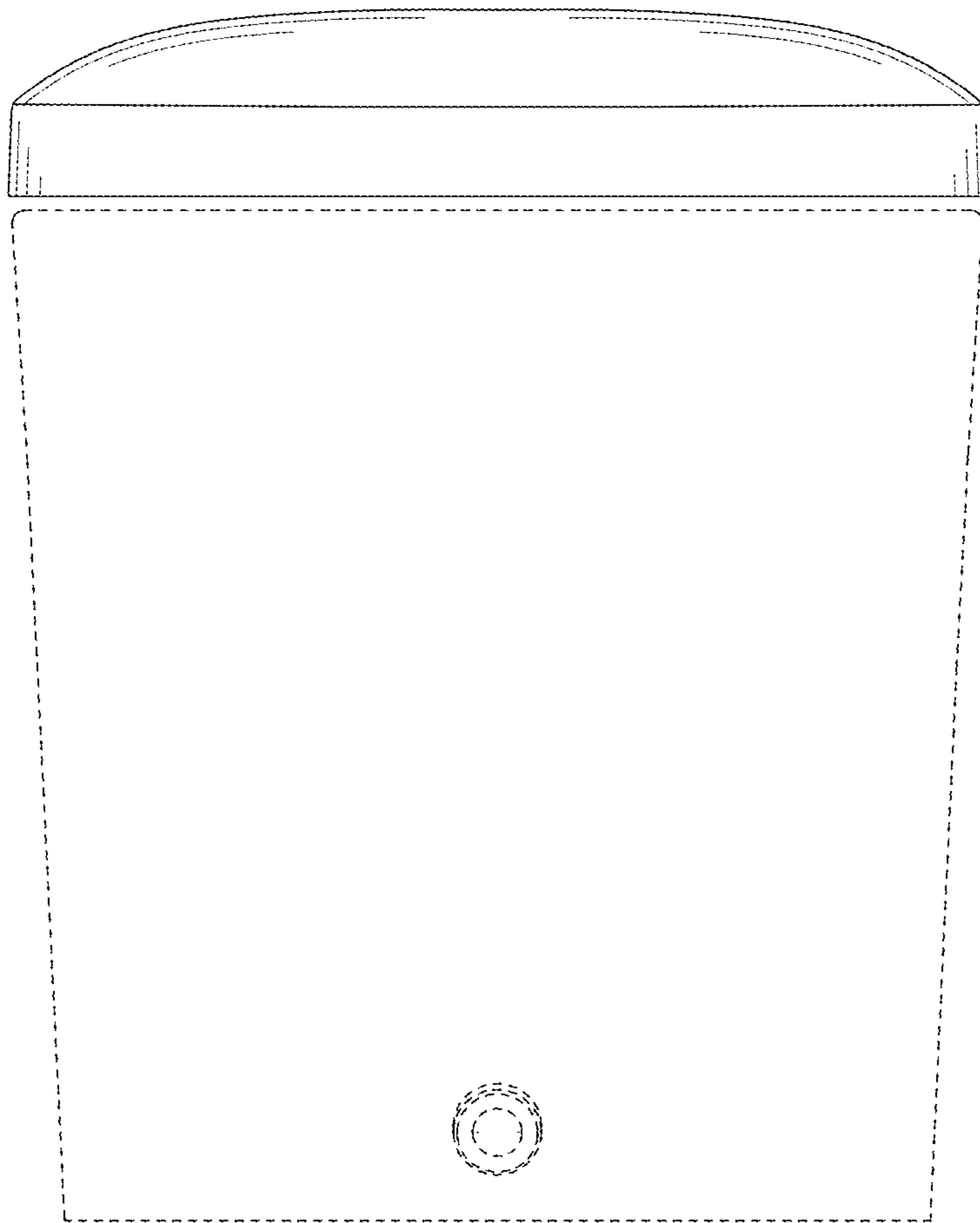




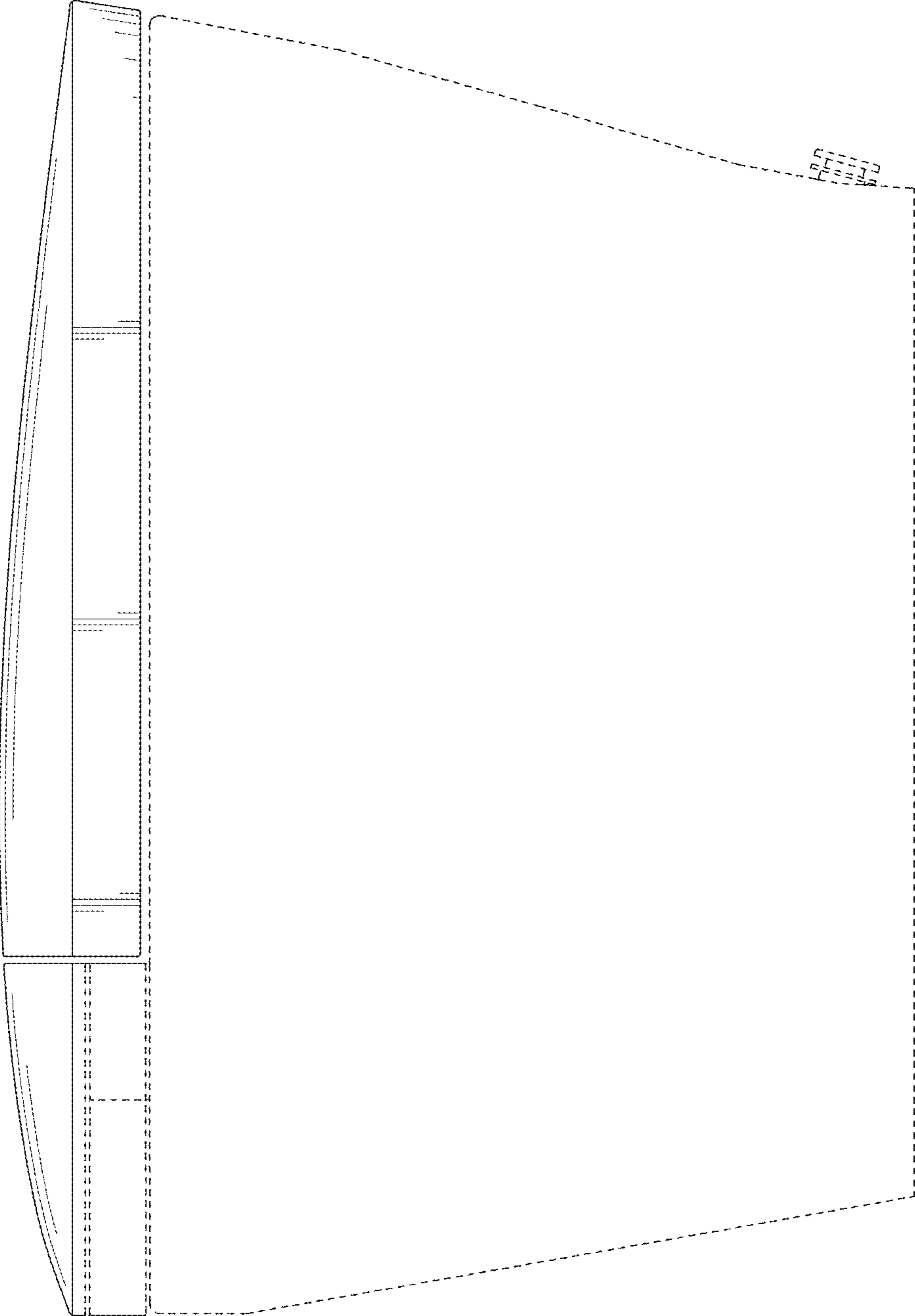
**FIG. 1**



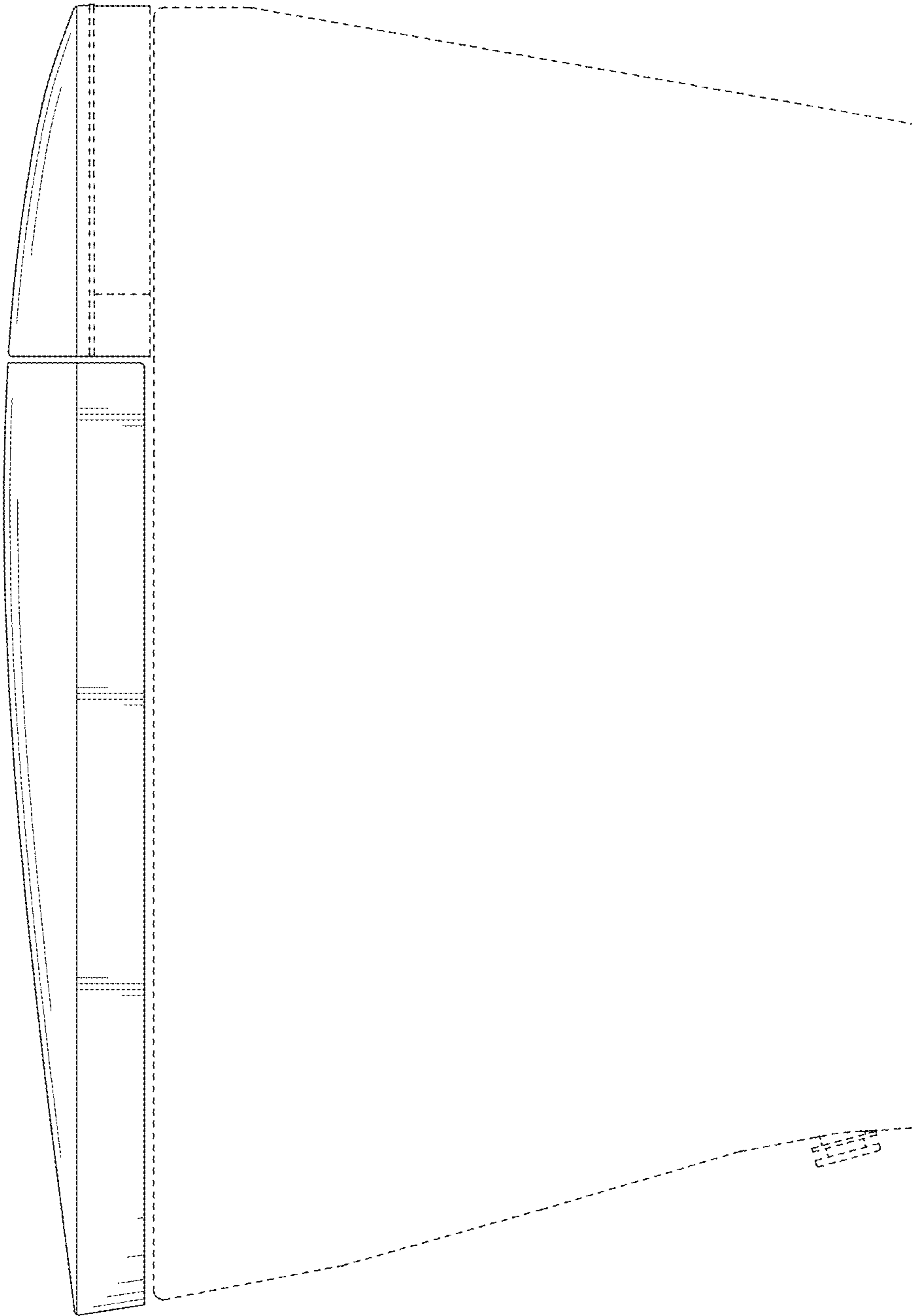
**FIG. 2**



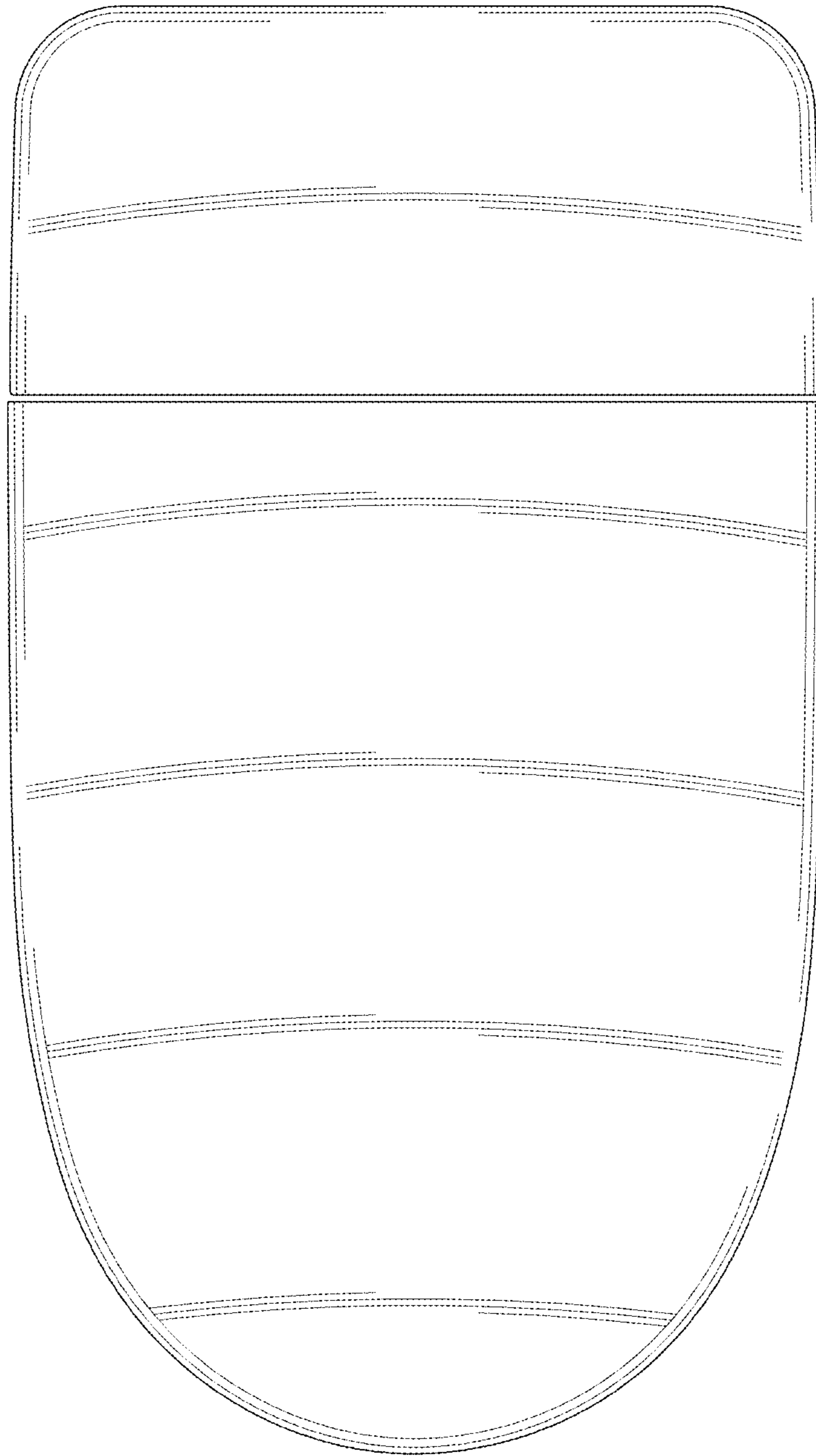
**FIG. 3**



**FIG. 4**



**FIG. 5**



**FIG. 6**