



US00D951407S

(12) **United States Design Patent** (10) **Patent No.:** **US D951,407 S**
Moller et al. (45) **Date of Patent:** **** May 10, 2022**

- (54) **SINK**
- (71) Applicant: **Kohler Co.**, Kohler, WI (US)
- (72) Inventors: **Adam M. Moller**, Grafton, WI (US);
Shawn J. Booth, Sheboygan, WI (US);
Richard C. Kong, Sheboygan, WI (US);
Carlos F. Uceda, Sheboygan, WI (US)
- (73) Assignee: **Kohler Co.**, Kohler, WI (US)
- (**) Term: **15 Years**
- (21) Appl. No.: **29/783,499**
- (22) Filed: **May 13, 2021**

- D405,875 S 2/1999 Reid
- D443,049 S 5/2001 Kuo
- D492,396 S 6/2004 Sutopo
- D507,042 S 7/2005 Sutopo
- D652,492 S 1/2012 Slothower
- D678,991 S 3/2013 Stauffer
- D875,901 S 2/2020 Letourneau

Primary Examiner — Robert A Delehanty
(74) *Attorney, Agent, or Firm* — Lempia Summerfield Katz LLC

(57) **CLAIM**

We claim the ornamental design for a sink, as shown and described.

DESCRIPTION

FIG. 1 is a perspective view of an embodiment of the claimed design;
FIG. 2 is a top view of the embodiment of FIG. 1;
FIG. 3 is a bottom view of the embodiment of FIG. 1;
FIG. 4 is a front view of the embodiment of FIG. 1;
FIG. 5 is a rear view of the embodiment of FIG. 1;
FIG. 6 is a side view of the embodiment of FIG. 1;
FIG. 7 is another side view of the embodiment of FIG. 1;
FIG. 8 is a cross-sectional view taken along line 39-39 in FIG. 2; and,
FIG. 9 is a cross-sectional view taken along line 40-40 in FIG. 2.

The ornamental design that is claimed is shown in the drawings as solid lines and surfaces having surface shading. The broken lines in the drawings are for illustrative purposes only and form no part of the claimed design. For example, broken lines formed by equal length dashes show unclaimed portions of the design. Broken lines formed of unequal length dashes (i.e., dash-dot) show boundaries between either claimed and unclaimed portions of the design or between unclaimed and unclaimed portions of the design.

1 Claim, 6 Drawing Sheets

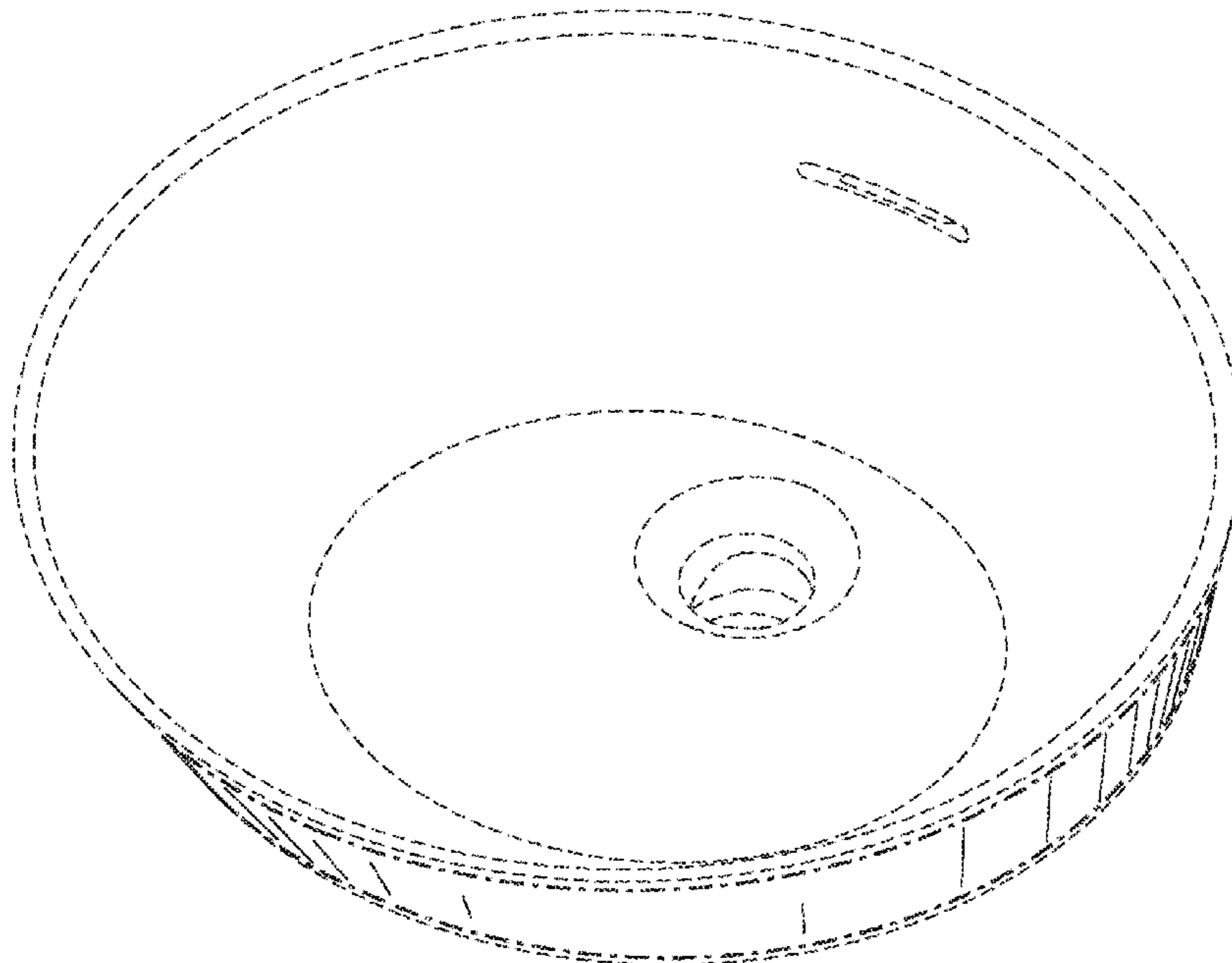
Related U.S. Application Data

- (62) Division of application No. 29/767,734, filed on Jan. 25, 2021, now Pat. No. Des. 922,549, which is a division of application No. 29/692,260, filed on May 23, 2019, now Pat. No. Des. 916,254.
- (51) **LOC (13) Cl.** **23-02**
- (52) **U.S. Cl.**
USPC **D23/308**
- (58) **Field of Classification Search**
USPC D23/284, 286, 293.1, 308
CPC A47B 77/06
See application file for complete search history.

References Cited

U.S. PATENT DOCUMENTS

- D292,609 S 11/1987 Kolada
- D295,671 S 5/1988 Kohler
- D307,964 S 5/1990 Bruni
- D320,263 S 9/1991 Kohler



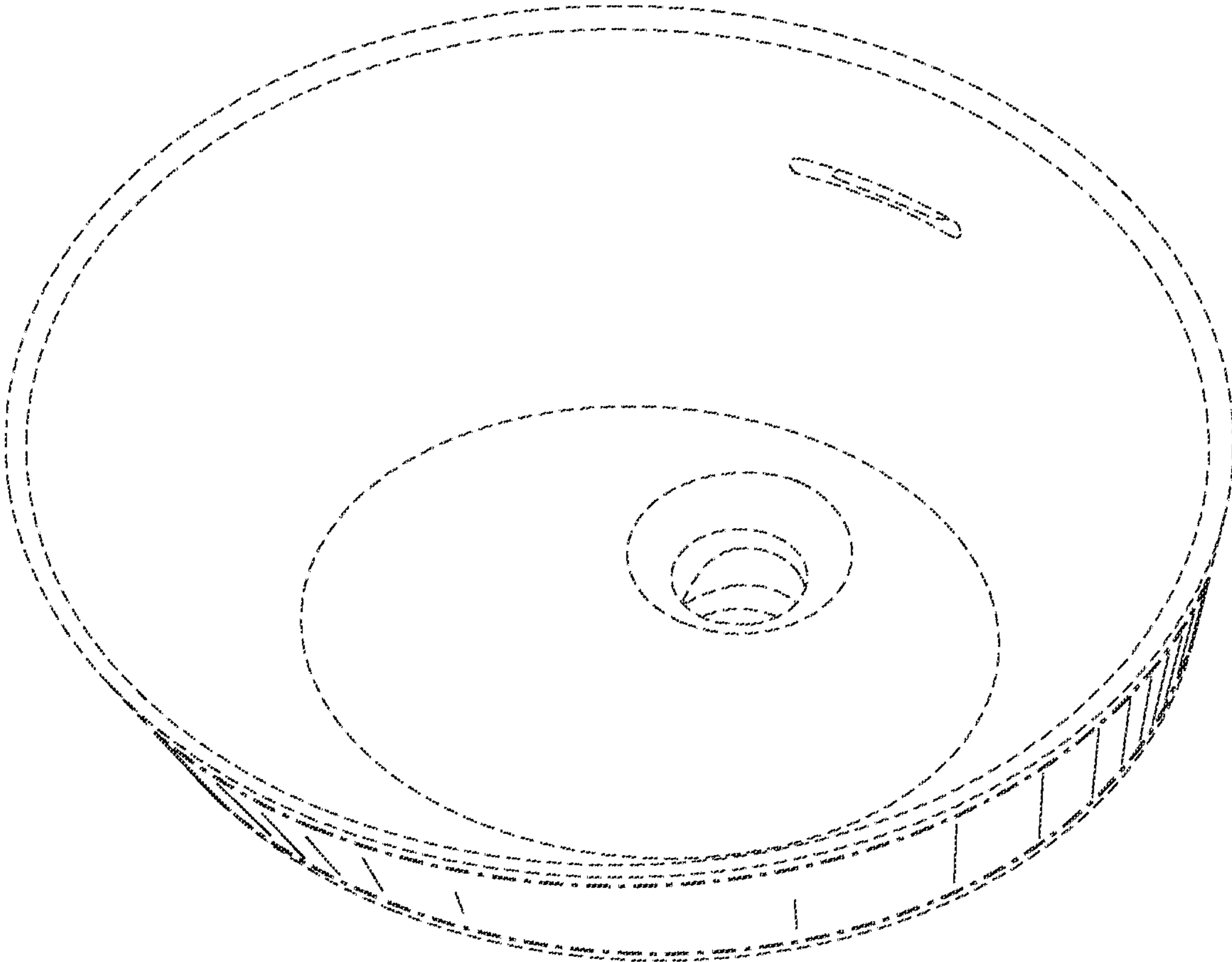


FIG. 1

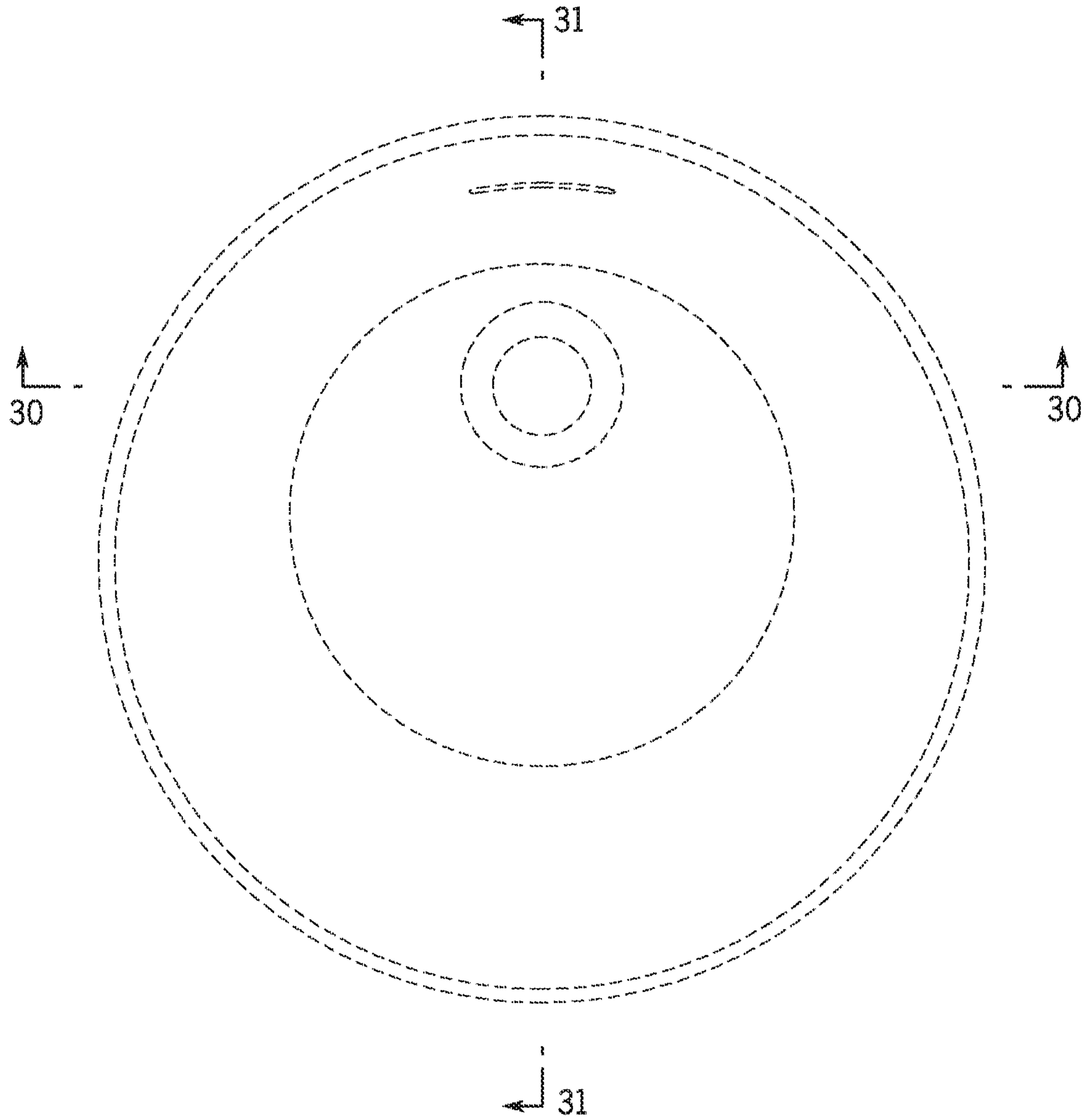


FIG. 2

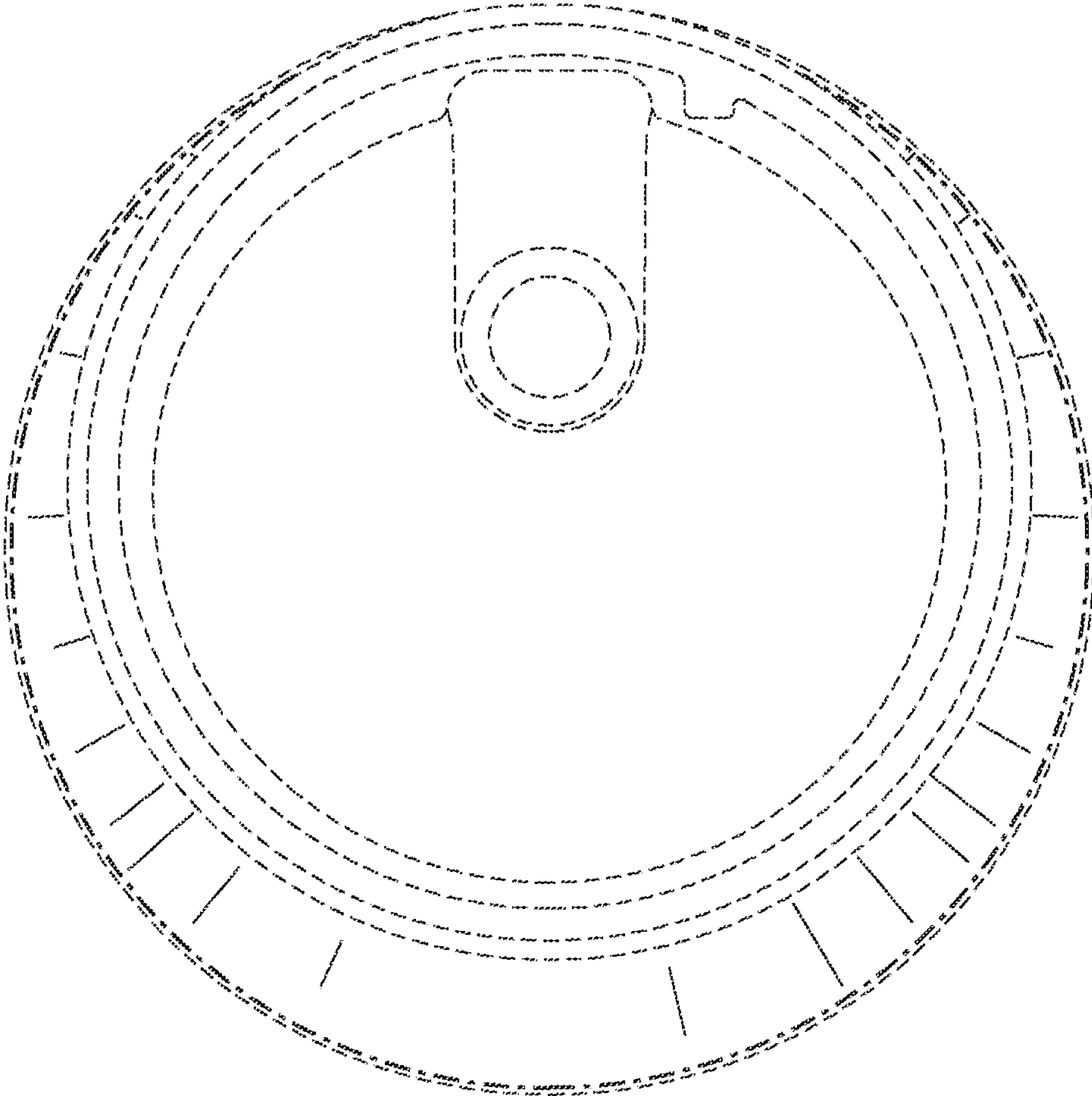


FIG. 3

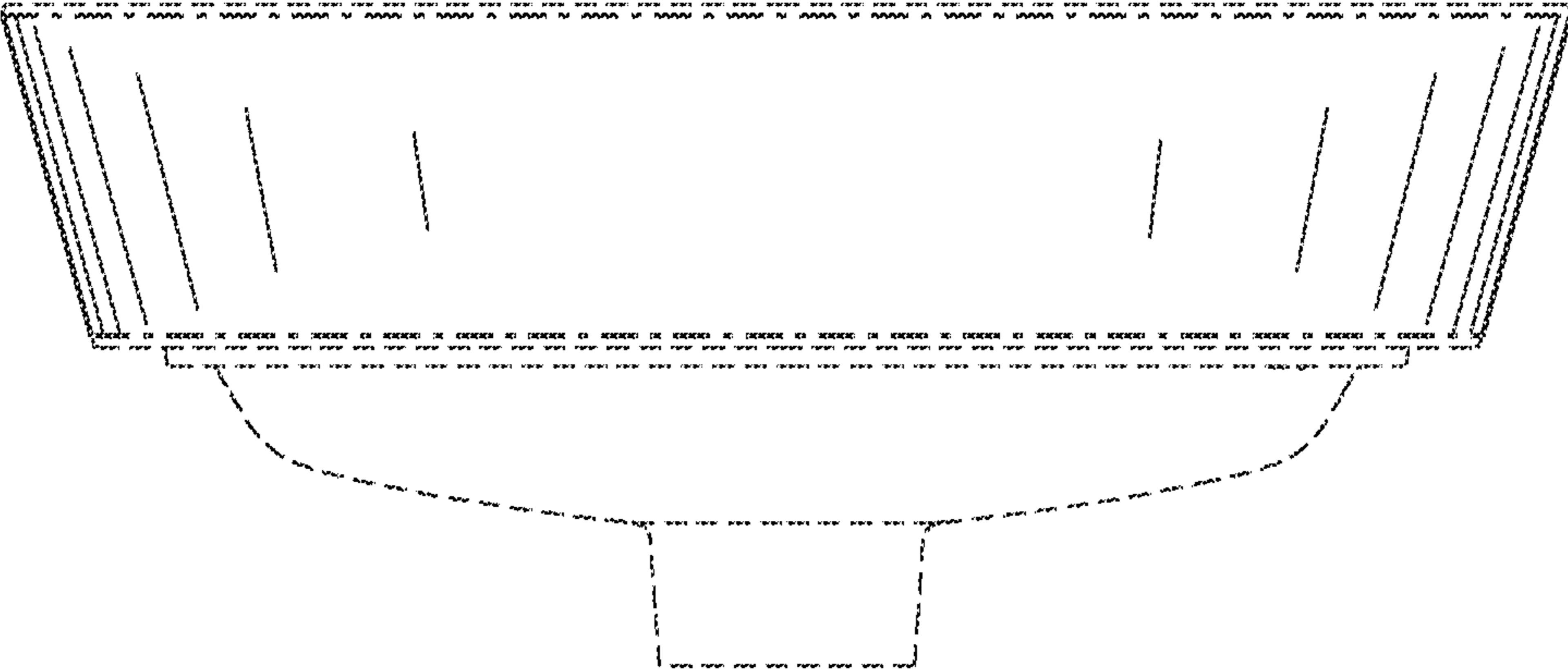


FIG. 4

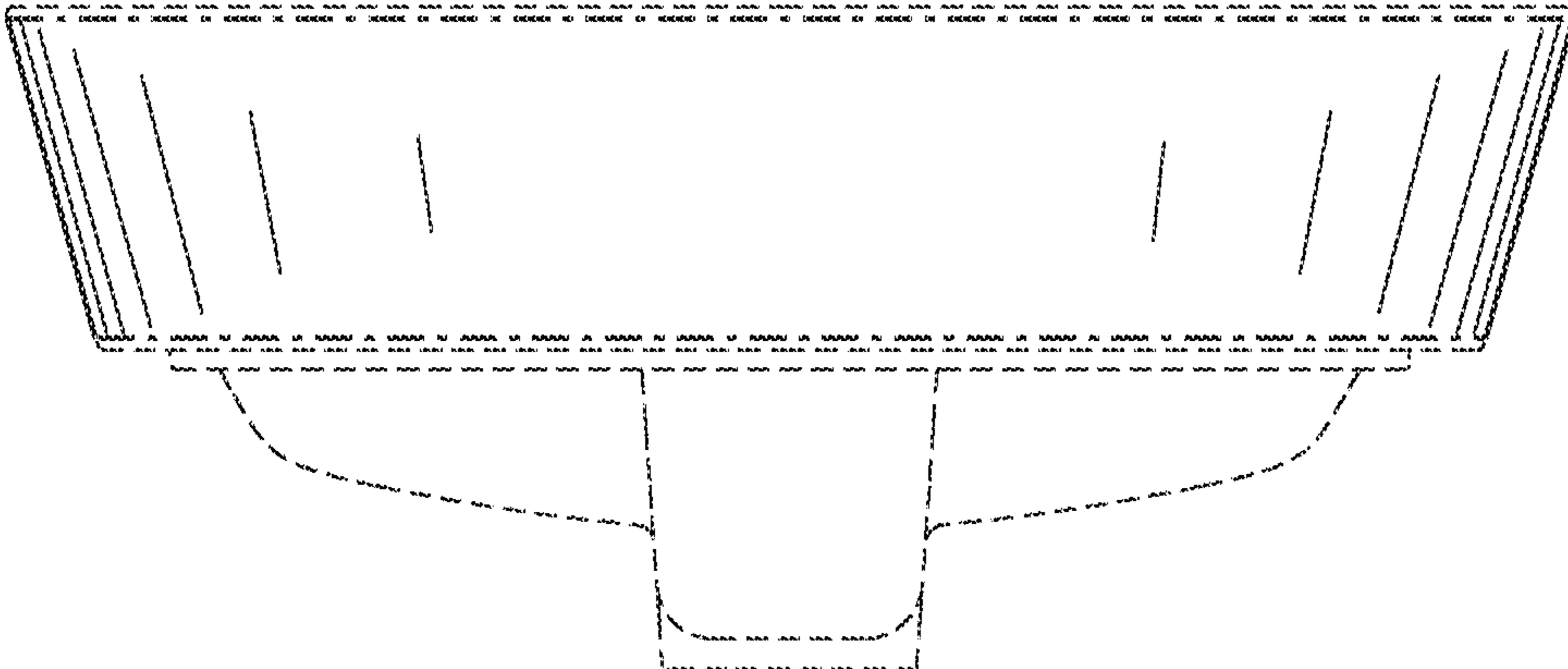


FIG. 5

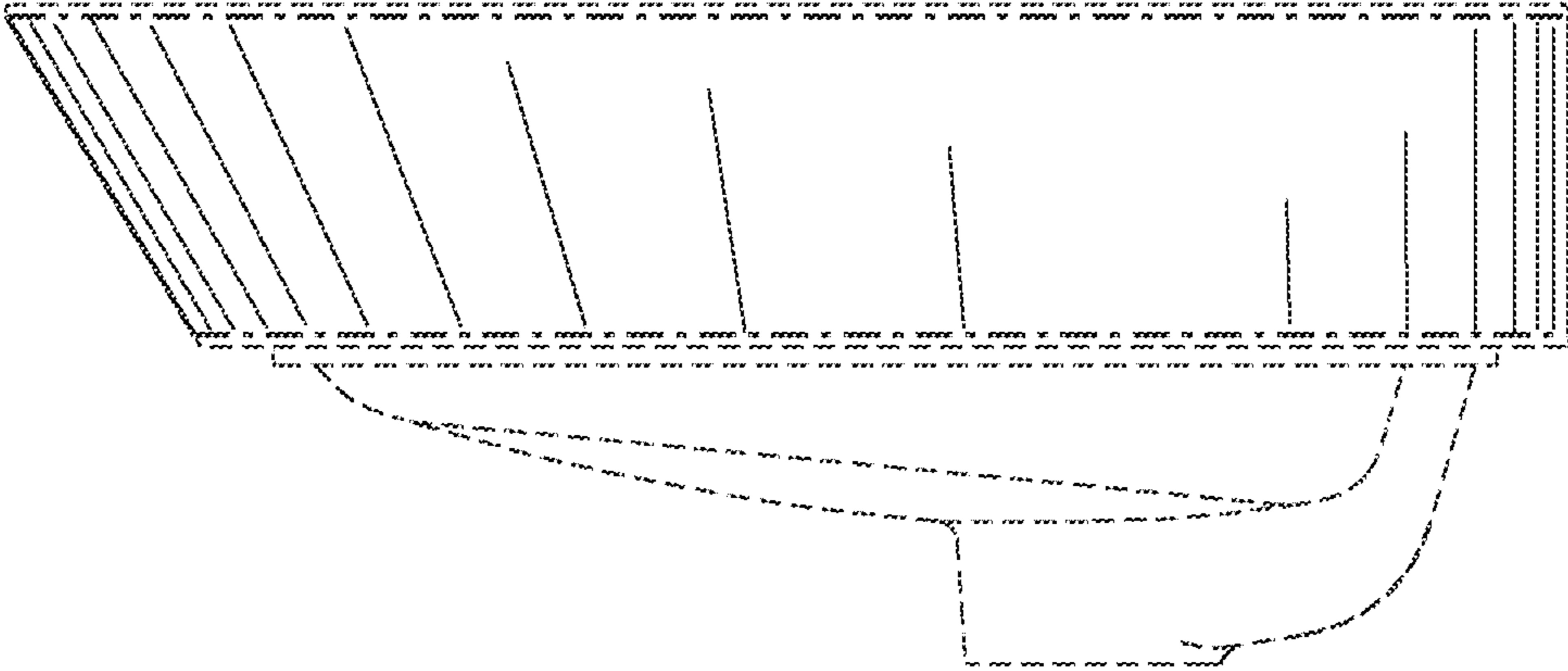


FIG. 6

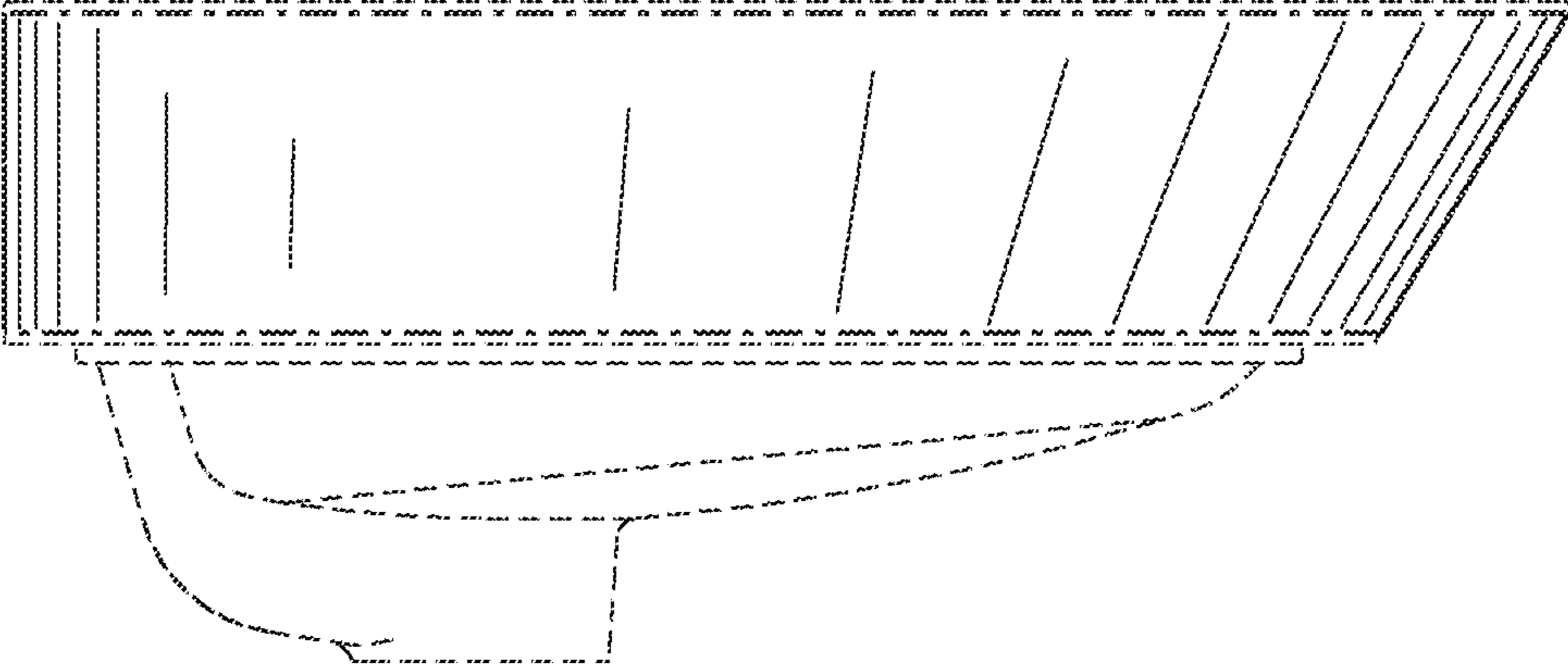


FIG. 7

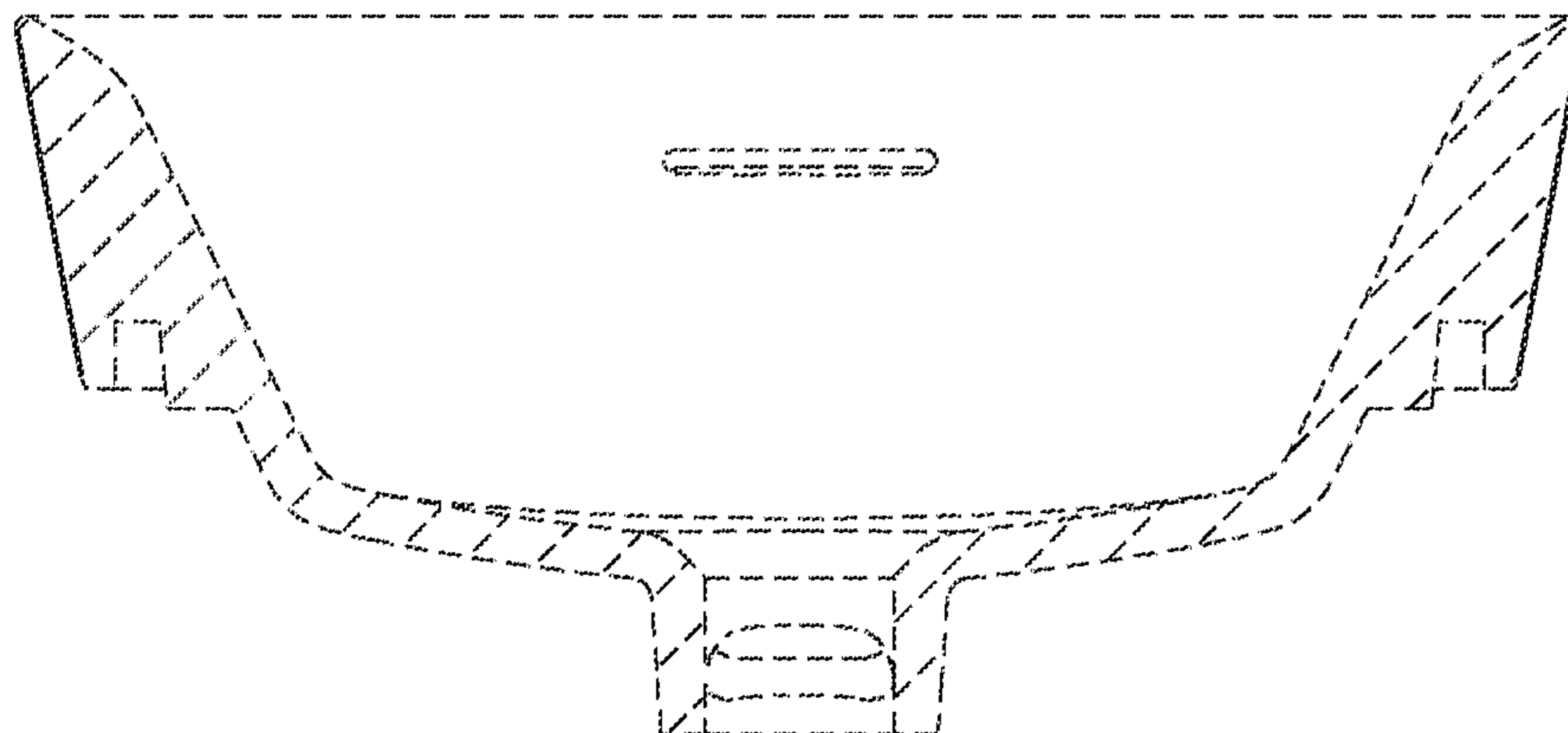


FIG. 8

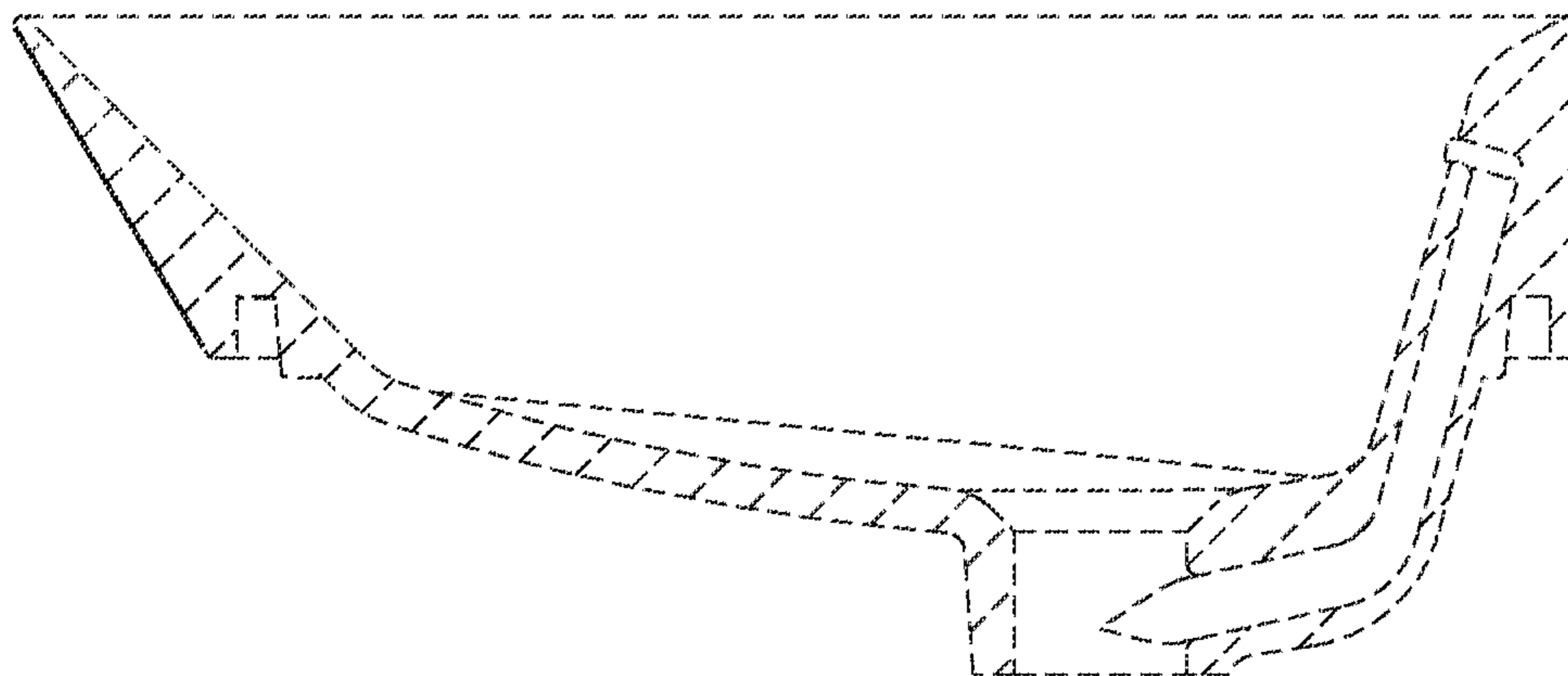


FIG. 9