



US00D951404S

(12) **United States Design Patent** (10) **Patent No.:** **US D951,404 S**  
**Thorne et al.** (45) **Date of Patent:** **\*\* May 10, 2022**

- (54) **LAVATORY BASIN**
- (71) Applicant: **Bradley Fixtures Corporation**,  
Menomonee Falls, WI (US)
- (72) Inventors: **Scott Joseph Thorne**, Chicago, IL  
(US); **Hyunchul Kim**, Chicago, IL  
(US); **William L. Haas**, Richfield, WI  
(US); **Cassandra Anne Schneider**,  
Oconomowoc, WI (US)
- (73) Assignee: **Bradley Fixtures Corporation**,  
Menomonee Falls, WI (US)
- (\*\*) Term: **15 Years**
- (21) Appl. No.: **29/814,978**
- (22) Filed: **Nov. 10, 2021**

**Related U.S. Application Data**

- (62) Division of application No. 29/728,123, filed on Mar. 16, 2020, now Pat. No. Des. 939,678.
- (51) **LOC (13) Cl.** ..... **23-02**
- (52) **U.S. Cl.**  
USPC ..... **D23/284**
- (58) **Field of Classification Search**  
USPC ..... D23/284, 286-287, 290, 292, 293.1, 308  
CPC ..... A47K 1/04; A47B 77/06  
See application file for complete search history.

(56) **References Cited**

**U.S. PATENT DOCUMENTS**

D659,811 S *	5/2012	Licini	.....	D23/293.1
D697,185 S *	1/2014	Spangler	.....	D23/292
D700,686 S *	3/2014	Spangler	.....	D23/293.1
D710,978 S *	8/2014	Spangler	.....	D23/293.1
D721,426 S *	1/2015	Bartlett	.....	D23/290
D735,837 S *	8/2015	Bartlett	.....	D23/290
D745,120 S *	12/2015	Adkison	.....	D23/284
D745,122 S *	12/2015	Schonherr	.....	D23/284

D745,951 S *	12/2015	Schonherr	.....	D23/284
D803,996 S *	11/2017	Brandli	.....	D23/293.1
D804,621 S *	12/2017	Brandli	.....	D23/293.1
D809,634 S *	2/2018	Brandli	.....	D23/284
D810,896 S *	2/2018	Streng	.....	D23/293.1
D810,897 S *	2/2018	Streng	.....	D23/293.1
D813,996 S *	3/2018	Wieser	.....	D23/284
D814,613 S *	4/2018	Taylor	.....	D23/284
D823,445 S *	7/2018	Adkison	.....	D23/290

(Continued)

*Primary Examiner* — Robert A Delehanty

(74) *Attorney, Agent, or Firm* — Bovle Fredrickson, S.C.

(57) **CLAIM**

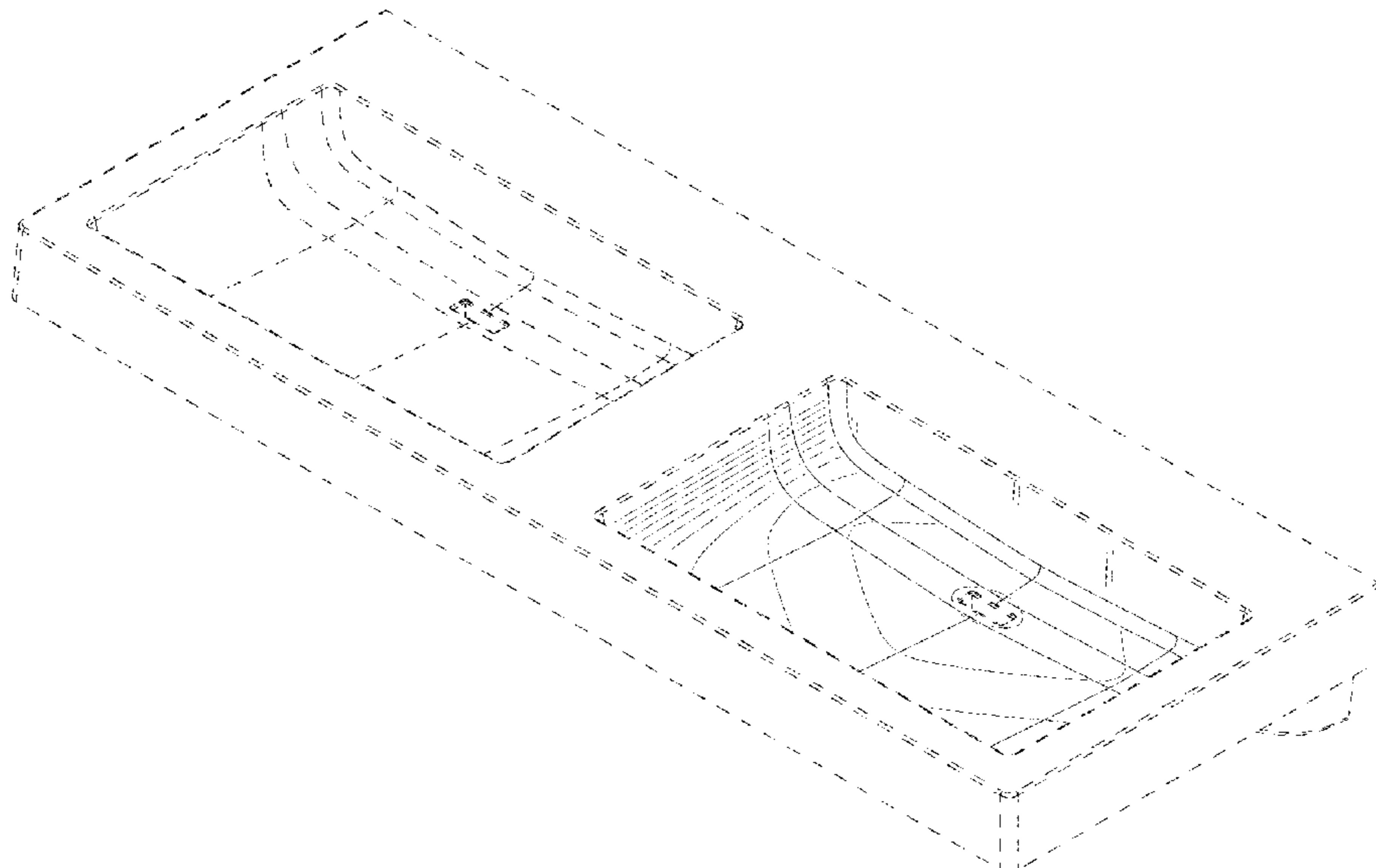
The ornamental design for a lavatory basin, substantially as shown and described.

**DESCRIPTION**

FIG. 1 is a front, raised perspective view of a lavatory basin according to the invention;  
 FIG. 2 is a front view of the lavatory basin according to FIG. 1;  
 FIG. 3 is a rear view of the lavatory system according to FIG. 1;  
 FIG. 4 is a left side view of the lavatory system according to FIG. 1;  
 FIG. 5 is a right side view of the lavatory system according to FIG. 1;  
 FIG. 6 is a top view of the lavatory system according to FIG. 1;  
 FIG. 7 is a bottom view of the lavatory system according to FIG. 1; and,  
 FIG. 8 is a cross-sectional view of the lavatory system according to FIG. 6 taken along line 8-8.

The broken lines shown in the drawings form no part of the claimed design. The surface shading illustrated in the drawings is provided merely to highlight the contour of the design and is not part of the claimed design. All surfaces not shown form no part of the claimed design.

**1 Claim, 7 Drawing Sheets**



(56)

**References Cited**

U.S. PATENT DOCUMENTS

D825,038 S \* 8/2018 Corpuz ..... D23/293.1  
D841,785 S \* 2/2019 Adkison ..... D23/284  
D849,213 S \* 5/2019 Wano ..... D23/293.1  
RE47,467 E \* 7/2019 Bartlett ..... A47K 1/04  
D23/290  
D861,143 S \* 9/2019 Taylor ..... D23/308  
D865,923 S \* 11/2019 Wieser ..... D23/284  
D869,622 S \* 12/2019 Streng ..... D23/290  
D869,623 S \* 12/2019 Belozerova ..... D23/290  
D890,311 S \* 7/2020 Belozerova ..... D23/290

\* cited by examiner

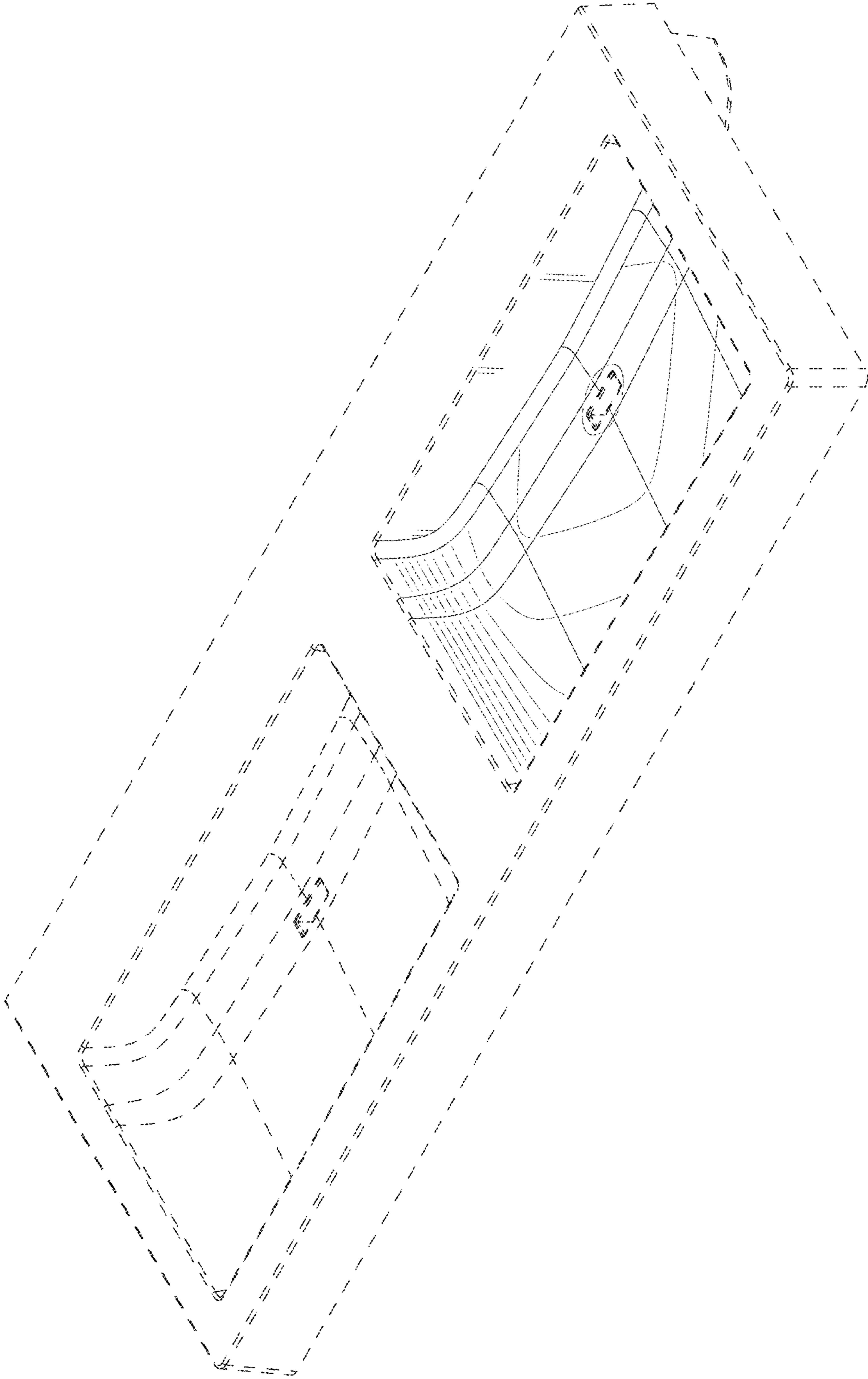


FIG. 1

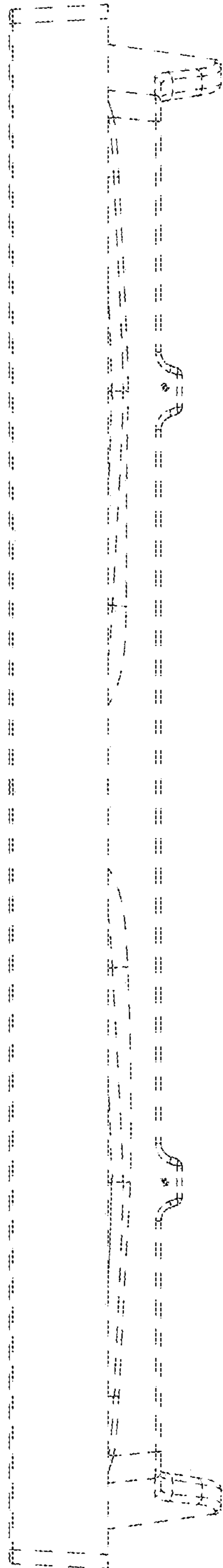


FIG. 2

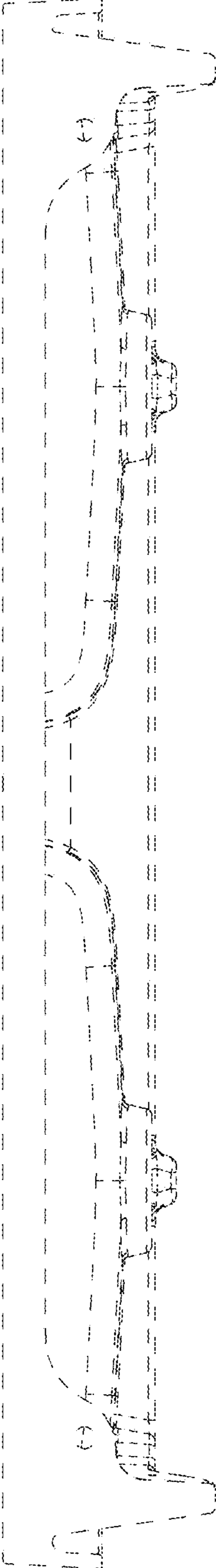


FIG. 3

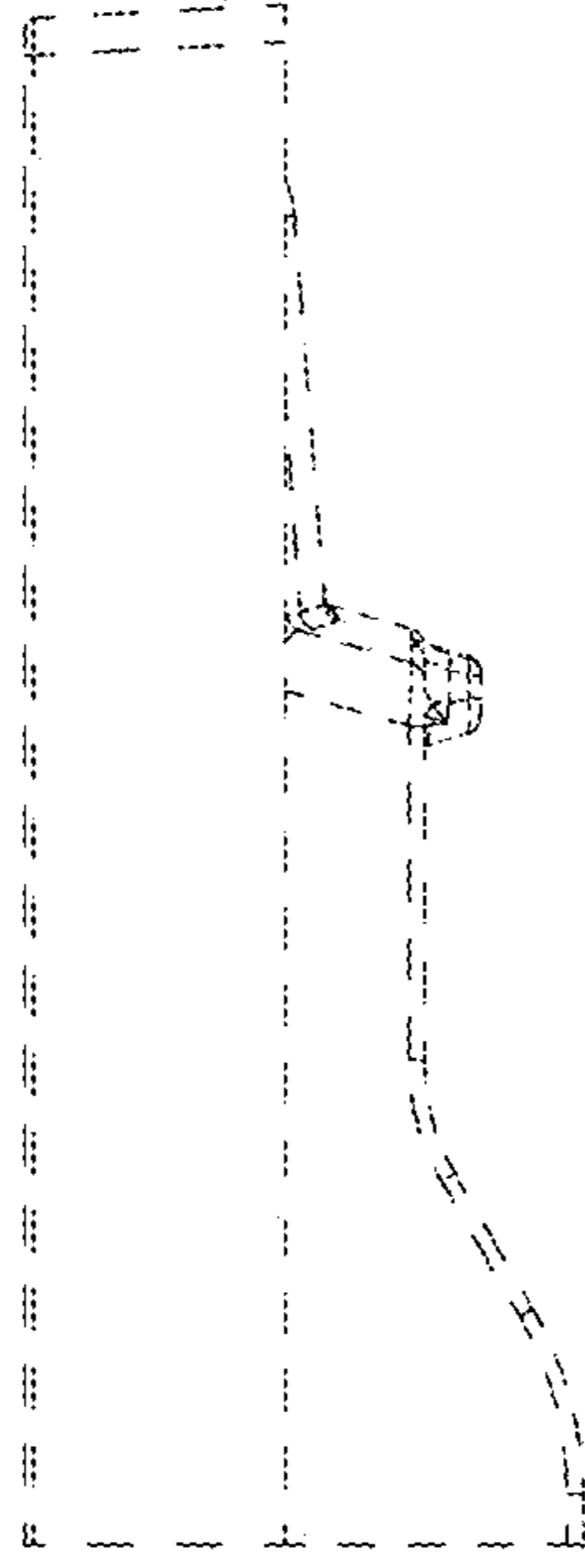


FIG. 4

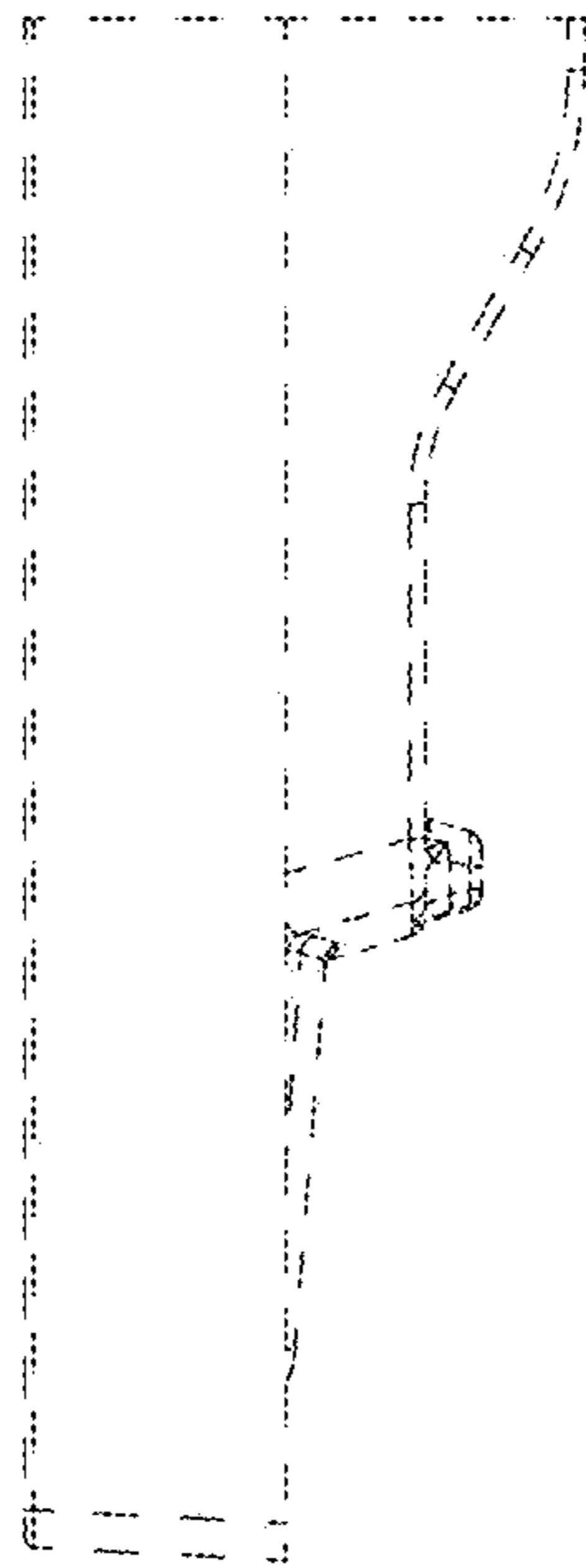


FIG. 5

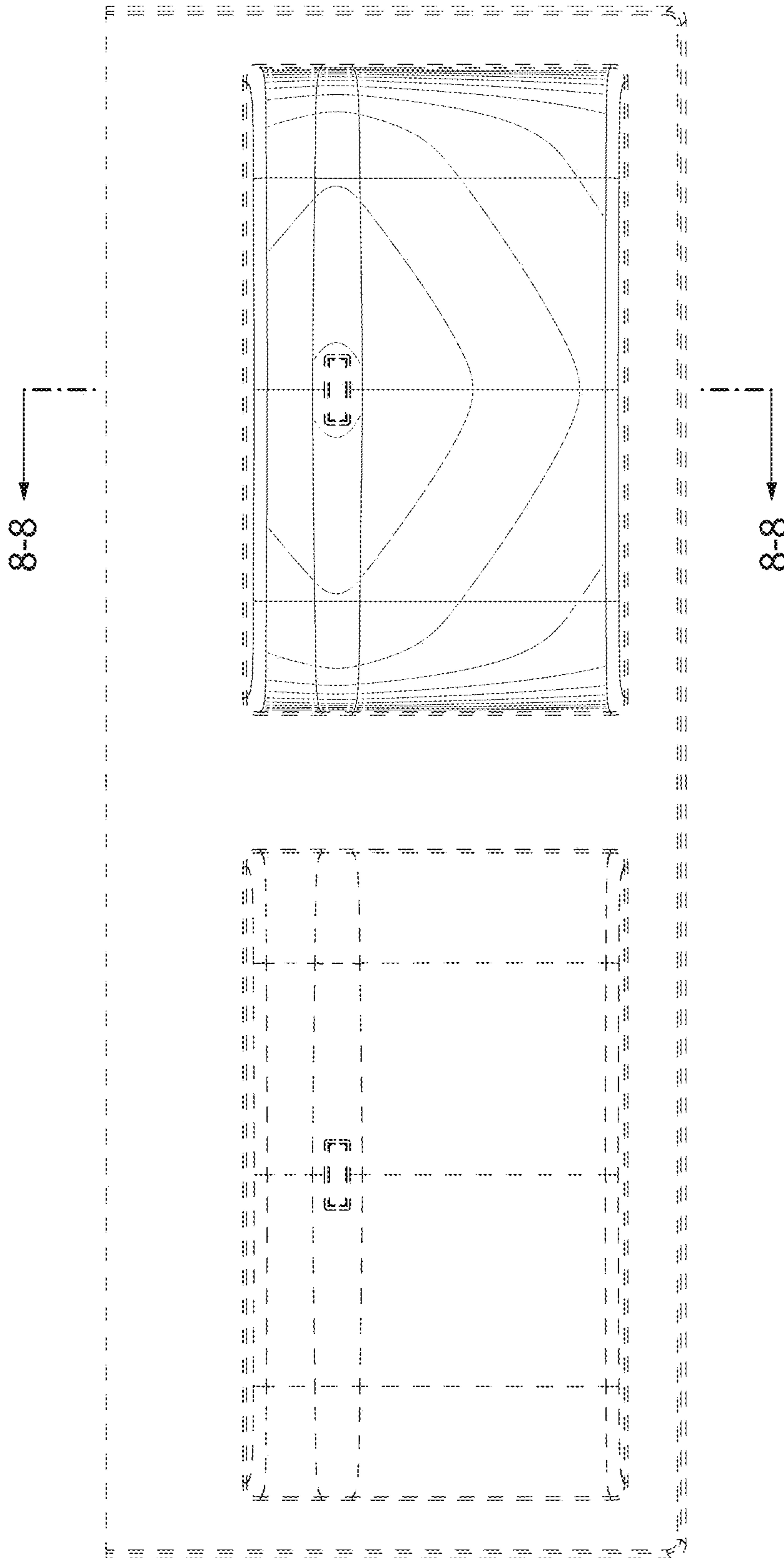


FIG. 6

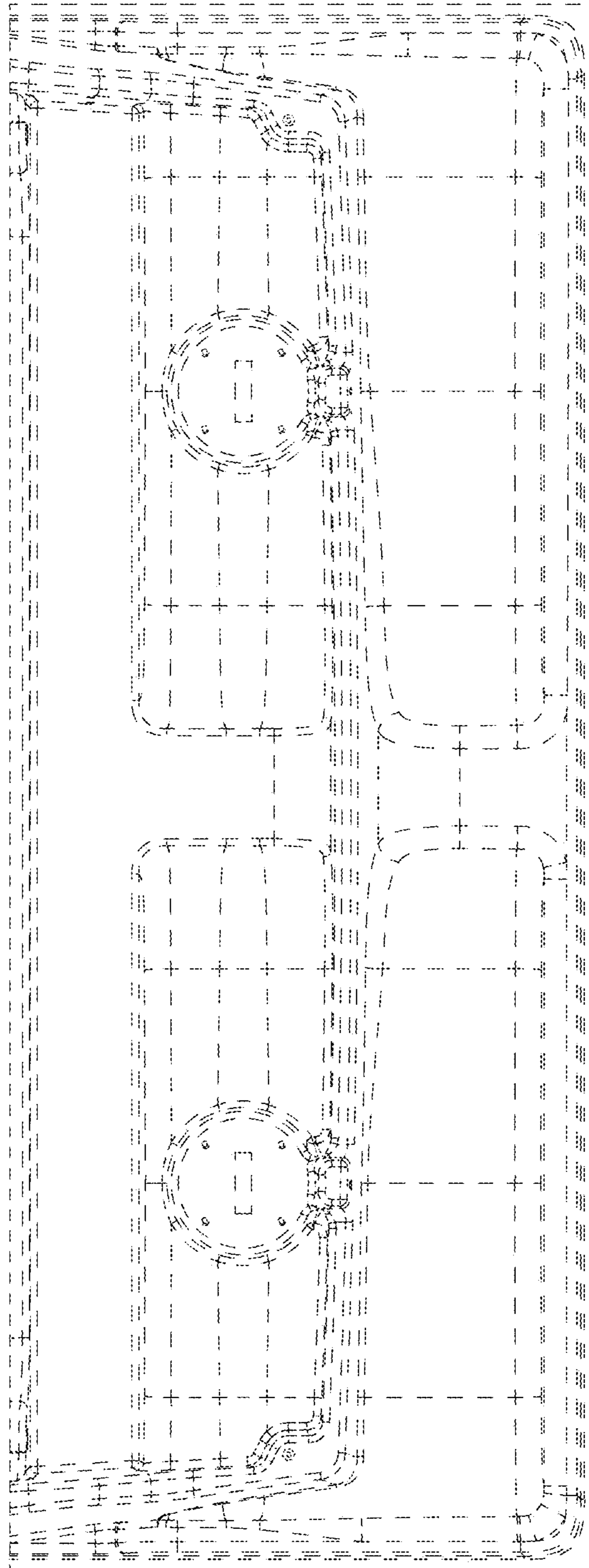


FIG. 7



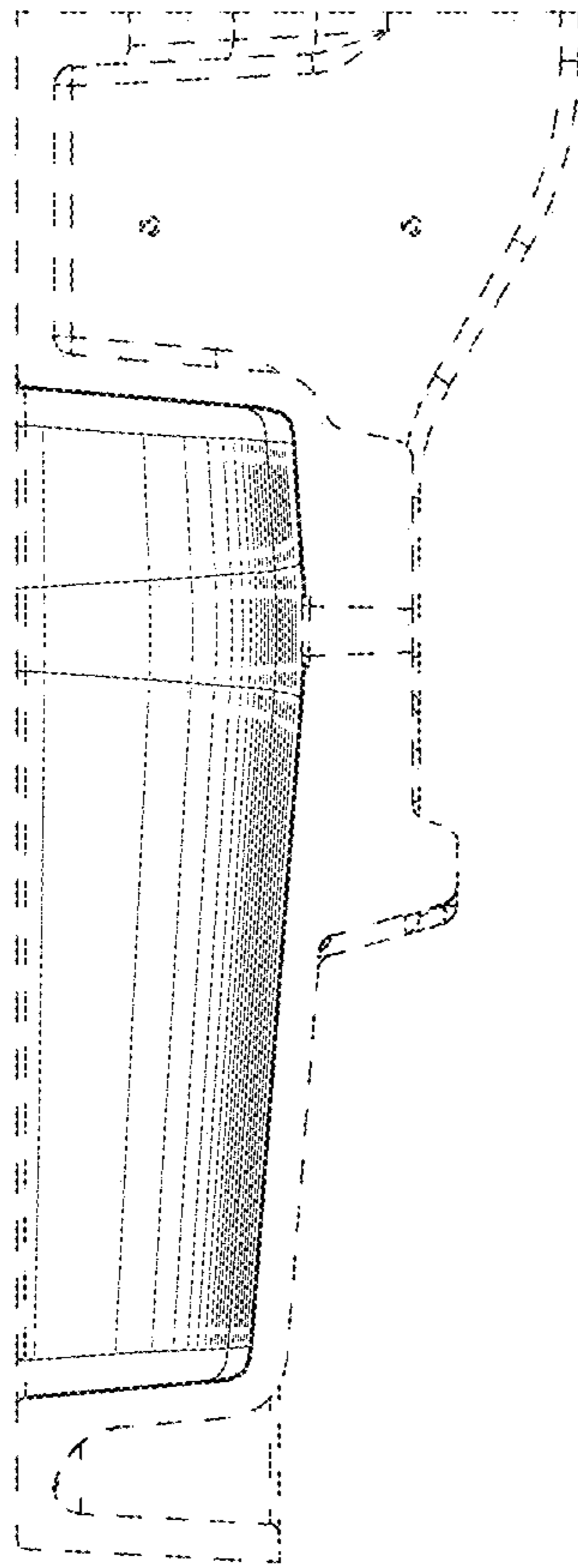


FIG. 8