



US00D951402S

(12) **United States Design Patent**
Wilson et al.

(10) **Patent No.:** **US D951,402 S**
(45) **Date of Patent:** **** May 10, 2022**

(54) **WATER SUPPLY ADAPTER**

FOREIGN PATENT DOCUMENTS

(71) Applicant: **Sloan Valve Company**, Franklin Park, IL (US)

CN 102561502 A 7/2012
DE 202008009465 U1 10/2009

(Continued)

(72) Inventors: **John Wilson**, Naperville, IL (US); **Jon Demczewski**, Batavia, IL (US)

OTHER PUBLICATIONS

(73) Assignee: **Sloan Valve Company**, Franklin Park, IL (US)

Sloan Optima Accessories H-1018-A Offset Adapter Kit Instruction Guide PDF; Revision Date Nov. 2020, Copyright Date 2020; Visited Online Jan. 19, 2022; <https://www.sloan.com/sites/default/files/2020-12/08160006.pdf> (Year: 2020).*

(Continued)

(**) Term: **15 Years**

(21) Appl. No.: **29/701,219**

Primary Examiner — Amy C Wierenga

(22) Filed: **Aug. 9, 2019**

(74) *Attorney, Agent, or Firm* — Banner & Witcoff, Ltd.

(51) **LOC (13) Cl.** **23-01**

(57) **CLAIM**

(52) **U.S. Cl.**

The ornamental design for a water supply adapter, as shown and described.

USPC **D23/259**; D23/233; D23/303

(58) **Field of Classification Search**

DESCRIPTION

USPC D23/233–234, 235–237, 249, 257–259, D23/262–265, 268, 300, 302–303, 386; 4/252.1; 285/179, 179.1

FIG. 1 is a top, front, left perspective view of a water supply adapter showing our new design;

CPC F16L 17/02; F16L 21/025; E03D 2201/30
See application file for complete search history.

FIG. 2 is a front view thereof;

FIG. 3 is a rear view thereof;

FIG. 4 is a left side view thereof;

FIG. 5 is a right side view thereof;

FIG. 6 is a top view thereof;

FIG. 7 is a bottom view thereof; and,

FIG. 8 is a top, front, left perspective view showing our new design of FIGS. 1-7 in an exemplary environment of a urinal.

The broken lines immediately adjacent to the shaded area define the bounds of the claimed design and form no part thereof. The broken lines depicting the remainder of the water supply adapter show features that form no part of the claimed design. The broken lines depicting exemplary environment in FIG. 8 form no part of the claimed design.

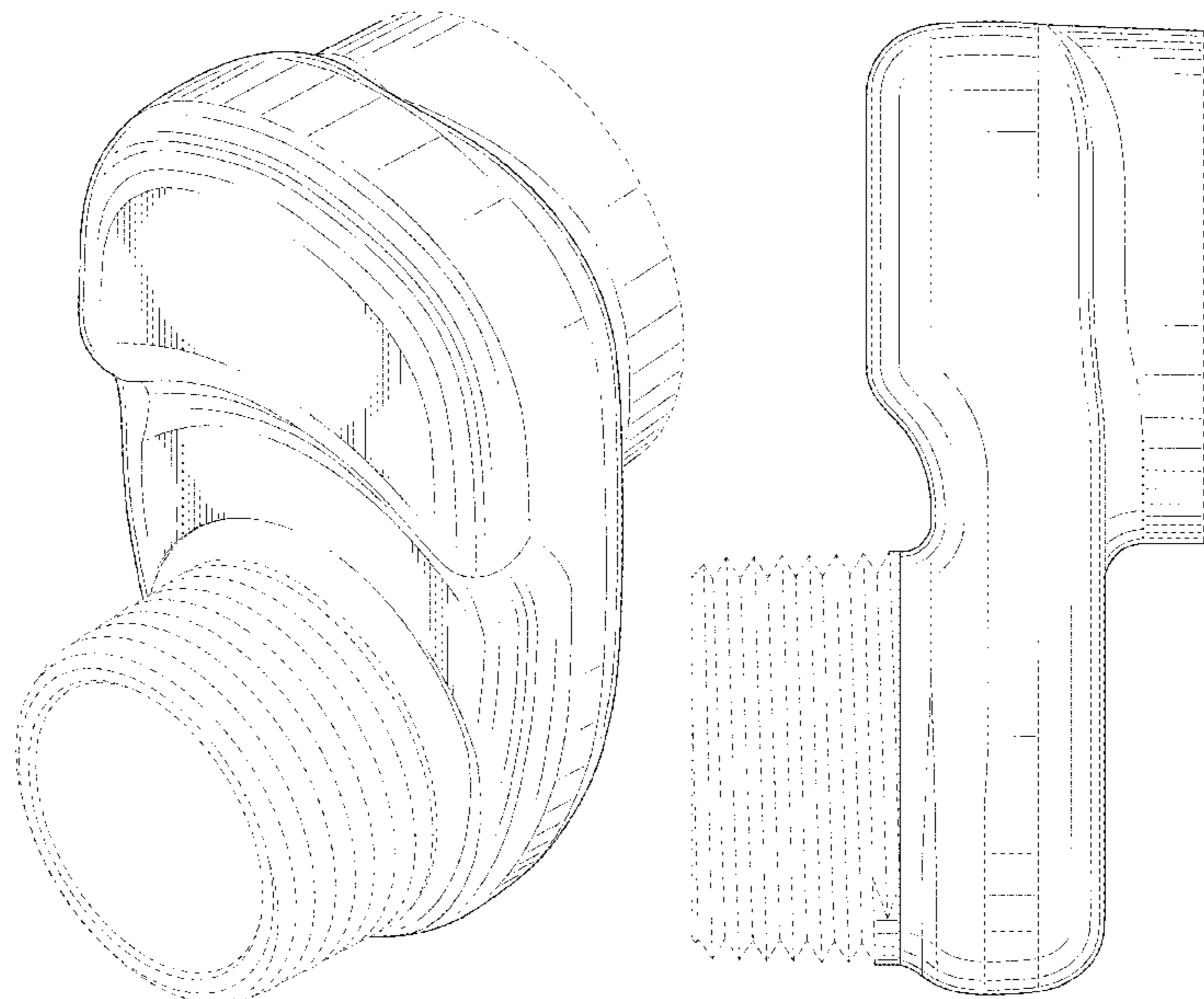
(56) **References Cited**

U.S. PATENT DOCUMENTS

2,027,371	A	1/1936	Davison	
2,055,489	A *	9/1936	Groeniger E03D 11/18 285/180
D218,825	S *	9/1970	Blumer D23/263
D278,651	S *	4/1985	Hornak D23/263
D284,887	S *	7/1986	Milo D23/263
D345,413	S *	3/1994	Brown D23/263
5,819,326	A	10/1998	Kobayashi et al.	
D421,644	S *	3/2000	Andersen D23/263
D425,612	S *	5/2000	Andersen D23/263
D438,938	S *	3/2001	Cleek D23/263

(Continued)

1 Claim, 8 Drawing Sheets



(56)

References Cited

OTHER PUBLICATIONS

U.S. PATENT DOCUMENTS

6,292,956	B1	9/2001	Kayahara	
6,718,564	B2	4/2004	Duncan et al.	
6,783,160	B2	8/2004	Rowley	
6,913,245	B2	7/2005	Jacoway	
7,350,825	B1 *	4/2008	Huang E03C 1/021 285/179
D599,447	S *	9/2009	Cummings D23/268
8,011,029	B2	9/2011	Kamiya et al.	
8,151,821	B2	4/2012	Ball	
D678,484	S *	3/2013	Dietterle D23/263
8,469,403	B2	6/2013	Benit	
8,505,124	B2	8/2013	Eichler et al.	
8,572,768	B2	11/2013	DeWitt et al.	
8,616,229	B2	12/2013	Jacoway	
9,057,460	B2	6/2015	Ismert et al.	
9,856,991	B2	1/2018	Williams	
10,072,770	B2	9/2018	Aykens et al.	
2013/0165828	A1 *	6/2013	Sullivan A61C 17/032 601/165
2015/0330067	A1	11/2015	Lee et al.	
2016/0010774	A1	1/2016	Davidson	
2016/0097191	A1 *	4/2016	Morris E03D 11/14 4/252.1
2018/0149296	A1	5/2018	McNall	
2021/0355669	A1 *	11/2021	Wilson E03D 11/14

FOREIGN PATENT DOCUMENTS

DE	102009048246	A1	4/2010
KR	200453858	Y1	6/2011

Sloan Sales Sheet, Offset Adapter PDF; Copyright Date 2020; Visited Online Jan. 19, 2022; <https://www.sloan.com/sites/default/files/2020-12/SLO1167-ADA-Adapter-SS.pdf> (Year: 2020).*

Sloan Accessory 33080303 Offset AdapterSpec-Sheet.PDF; Publish Date Oct. 20, 2021; Visited Online Jan. 19, 2022; <https://www.sloan.com/spec-sheet/33080101> (Year: 2021).*

Sloan H-1081-A Offset Adapter 1-1/2" on SloanRepair.com; Copyright Date 2022; Visited Online Jan. 19, 2022; <https://sloanrepair.com/products/sloan-h-1018-a-offset-adapter-1-1-2> (Year: 2022).*

Product Spotlight: Sloan Offset Adapter for Sloan Flushometers; Online Blog Posting Date Jan. 27, 2021; Visited Online Jan. 19, 2022; <http://blog.equiparts.net/offset-adapter-sloan-flushometer/> (Year: 2021).*

Quality Plumbing Supply—Sloan 33080101 H1018A Chrome Plated 1" NPT × 1-1/2" Offset Adapter; Website Copyright Date 2021; Visited Online Jan. 19, 2022; <https://qualityplumbingsupply.com/sloan-33080101-h1018a-chrome-plated-1-npt-x-1-1-2-offset-adapter/> (Year: 2021).*

Sloan Offset Adapter H-1018-A; website Copyright Date 2019; Visited Online Jan. 19, 2022; <https://www.simsupply.com/departments/industrial/plumbing/toilets-urinals/sloan-offset-adapter-red-chrome-brass-1-1-2-h-1018-a-cu-373833585837/?wi=off&CATARGETID=120012830002322587&CADevice=c&gclid=EAIaIQobCh> (Year: 2019).*

* cited by examiner

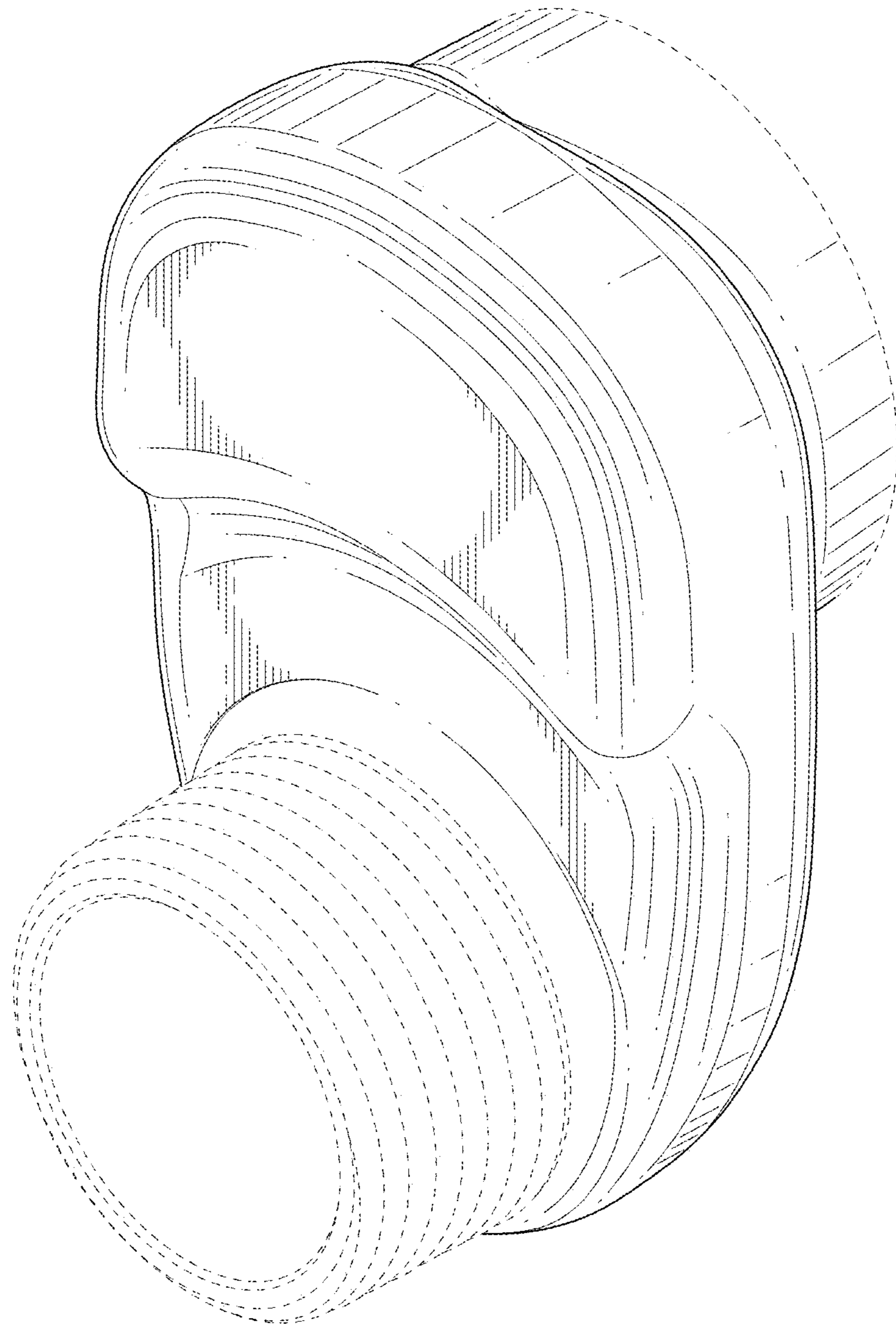


FIG. 1

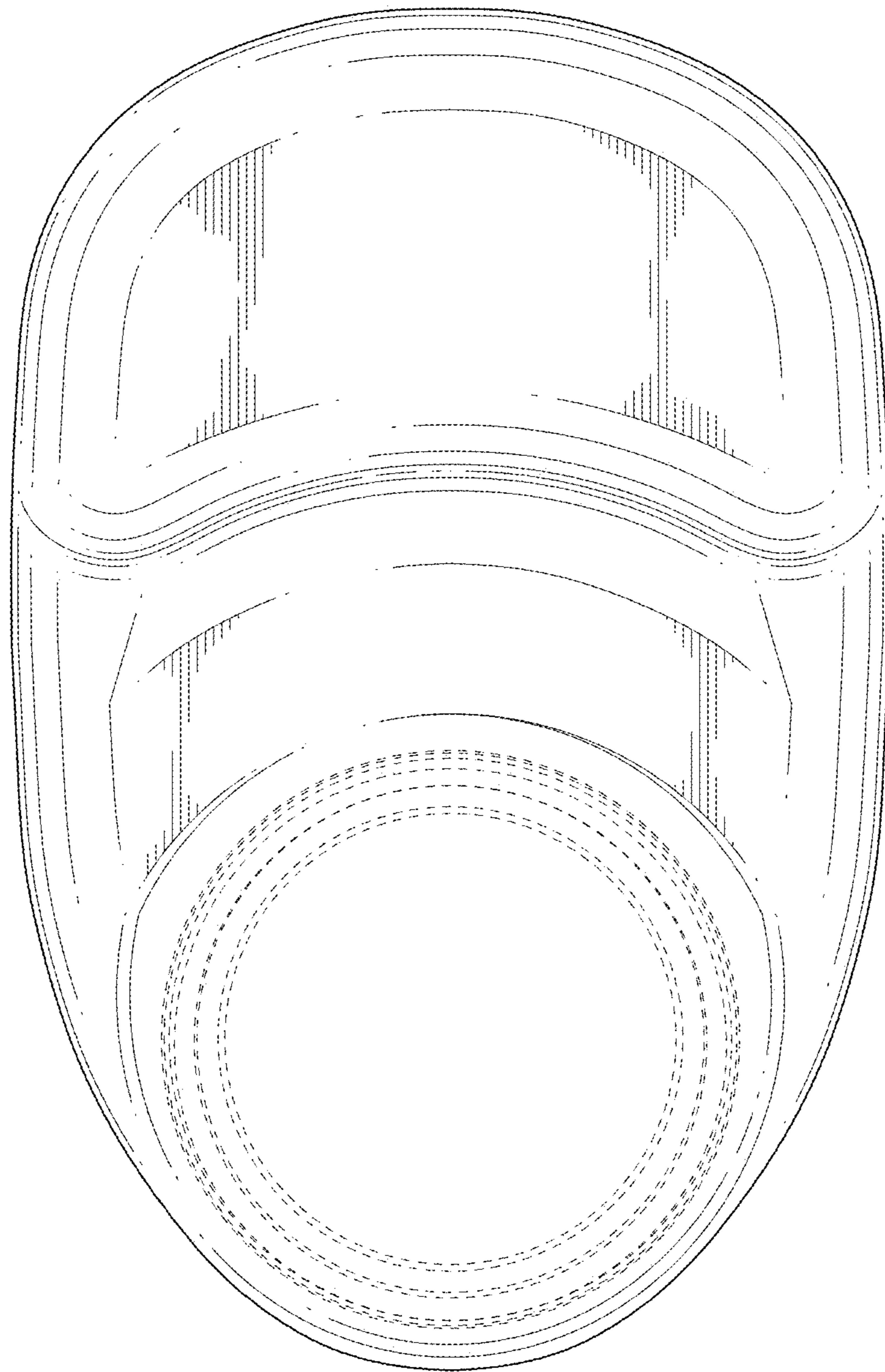


FIG. 2

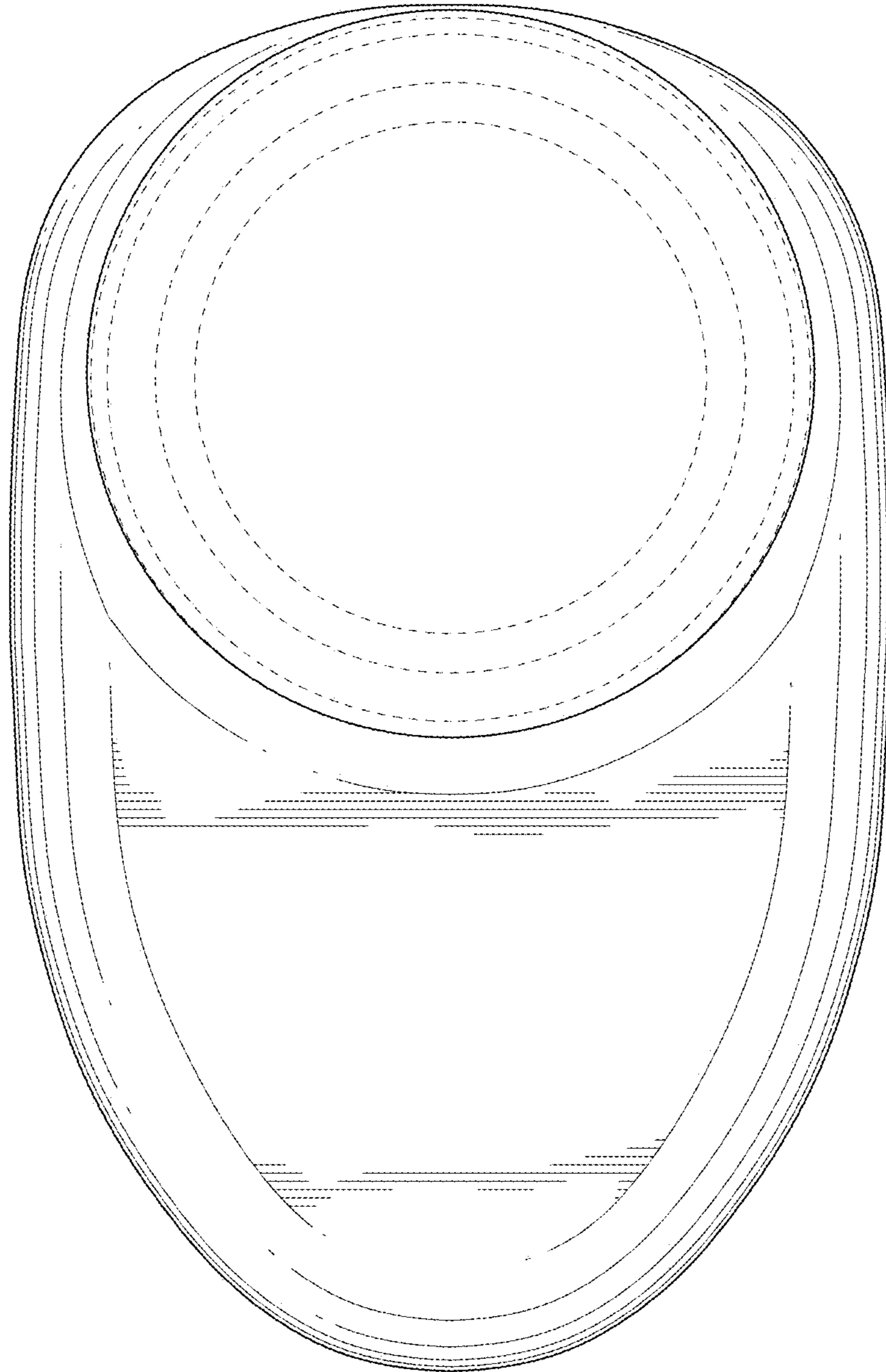


FIG. 3

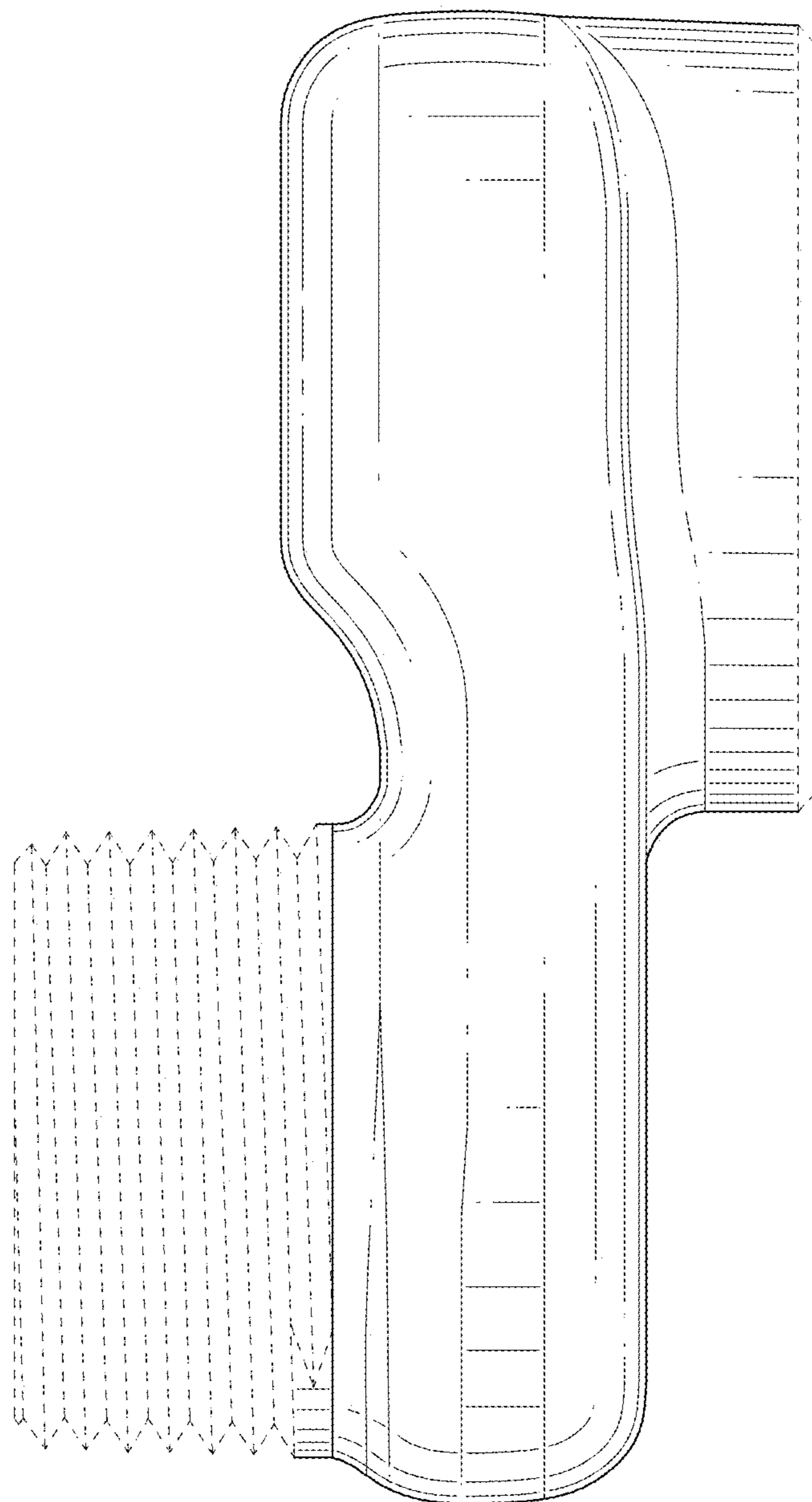


FIG. 4

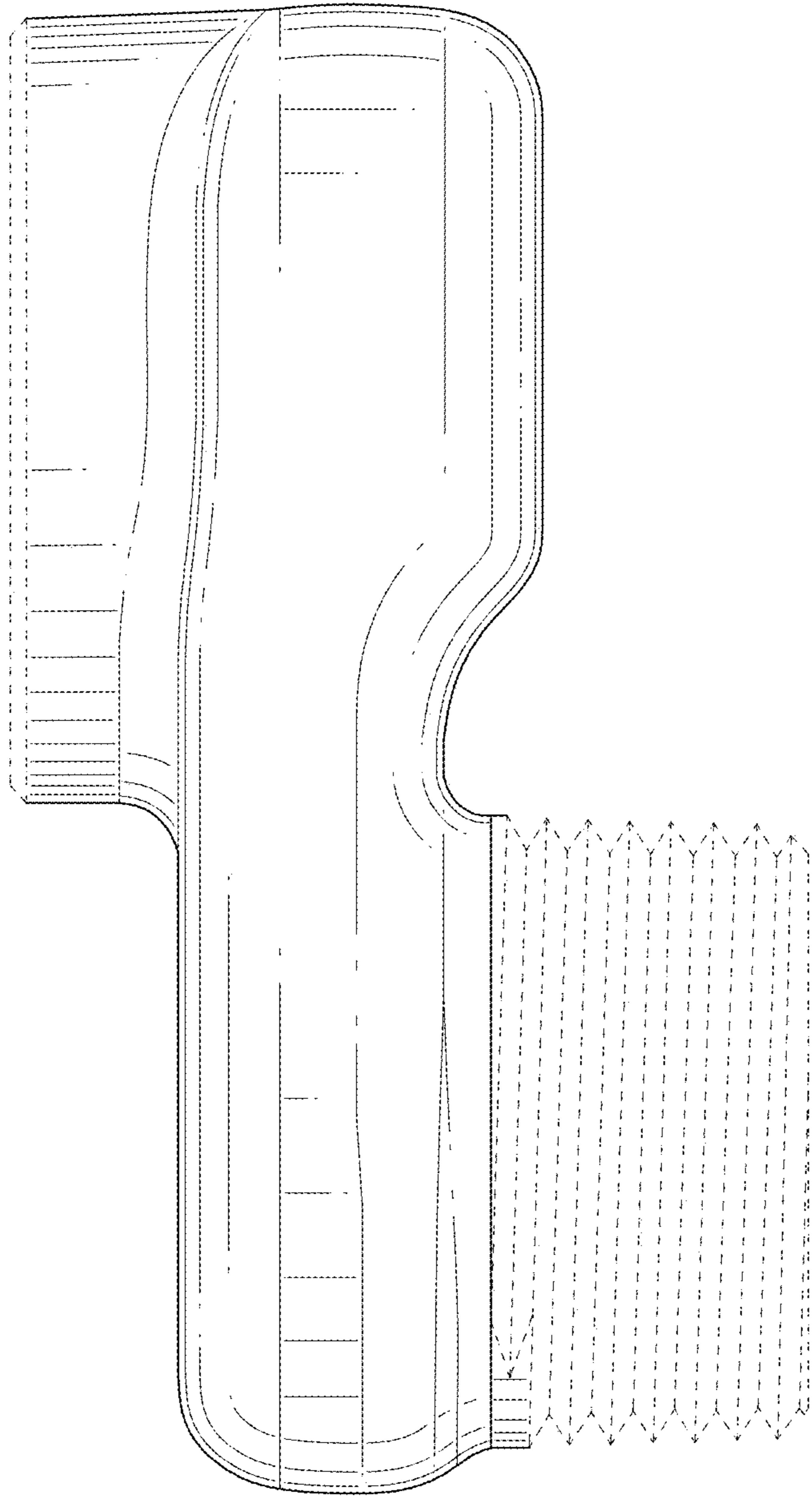


FIG. 5

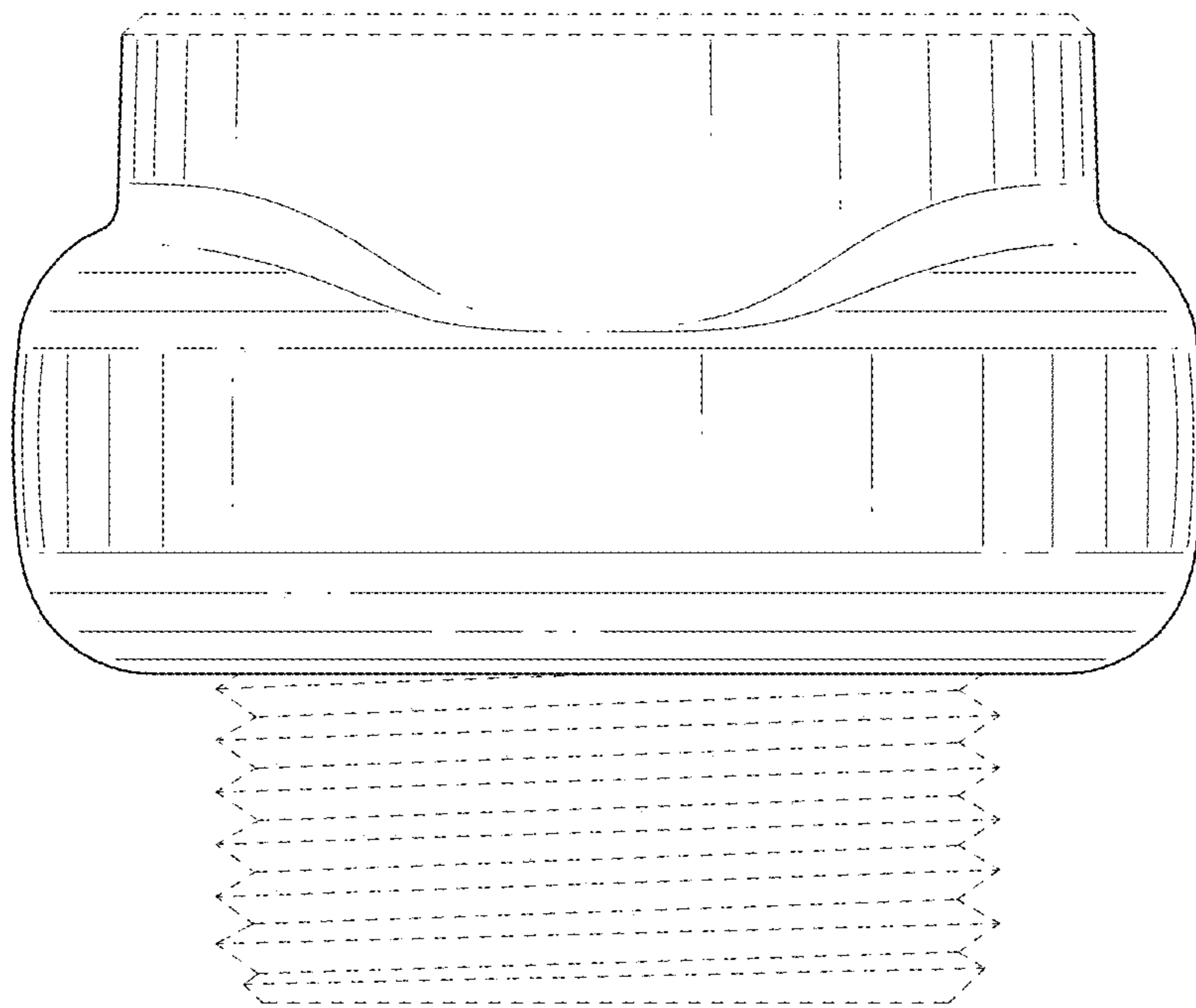


FIG. 6

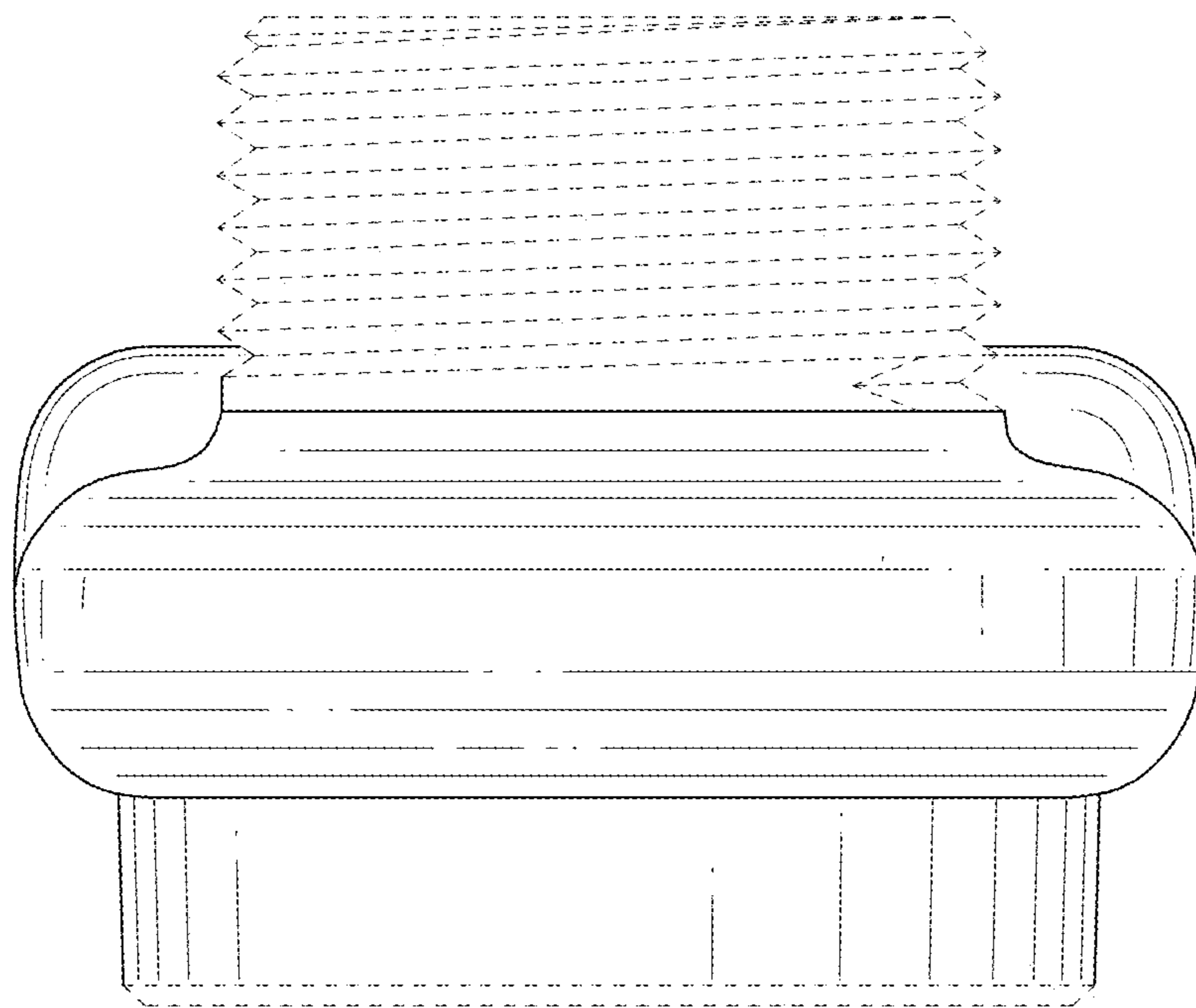


FIG. 7

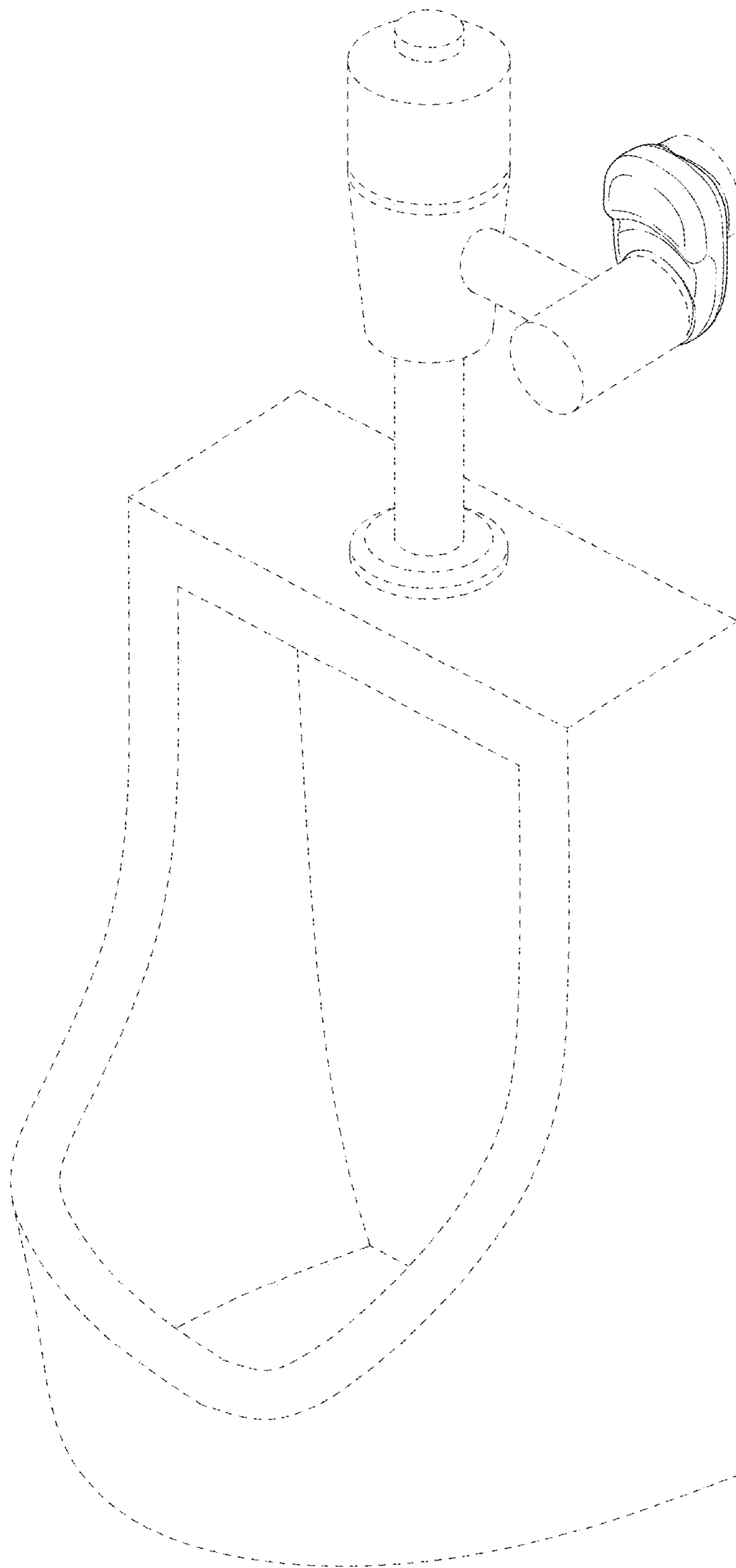


FIG. 8