



US00D951401S

(12) **United States Design Patent** (10) **Patent No.:** **US D951,401 S**
Diefenbach et al. (45) **Date of Patent:** **** May 10, 2022**

(54) **FAUCET BODY**
(71) Applicant: **HANSGROHE SE**, Schiltach (DE)
(72) Inventors: **Andreas Diefenbach**,
Ludwigsburg-Ossweil (DE); **Alvaro Witt**, Stuttgart (DE)
(73) Assignee: **Hansgrohe SE**, Schiltach (DE)
(**) Term: **15 Years**
(21) Appl. No.: **29/727,500**
(22) Filed: **Mar. 11, 2020**

D701,592 S * 3/2014 Zhenqiang D23/238
D712,514 S * 9/2014 Citterio D23/238
D759,203 S * 6/2016 Flowers D23/238
D761,941 S * 7/2016 Flowers D23/255
D773,618 S * 12/2016 Lee D23/255
D797,246 S * 9/2017 Downey D23/242

FOREIGN PATENT DOCUMENTS

CN 201230238321 * 6/2012
CN 304132322 S 5/2017
CN 201830480152.5 * 8/2018

(Continued)

OTHER PUBLICATIONS

Amazon, Luckyhome Waterfall Contemporary Bathroom Basin Single lever tap, posted Jul. 10, 2019, [online], [visited Sep. 20, 2021]. Internet, <URL: <https://www.amazon.co.uk/Luckyhome-Waterfall-Contemporary-Bathroom-Single/dp/B07V6FTPG3/ref>> (Year: 2019).*

Primary Examiner — Samantha Wood

(74) *Attorney, Agent, or Firm* — Lora J. Graentzdoerffer

(30) **Foreign Application Priority Data**

Sep. 12, 2019 (EM) 006862116

(51) **LOC (13) Cl.** **23-01**

(52) **U.S. Cl.**
USPC **D23/255**

(58) **Field of Classification Search**
USPC D23/257, 249, 254, 259, 255, 233, 234,
D23/235, 236, 237, 238, 240, 241, 242,
D23/243, 244, 245, 246, 247, 248, 250,
D23/251, 252, 253, 256
CPC E03C 1/01; E03C 1/0409; E03C 1/025;
E03C 1/0408; Y10T 137/5339; Y10T
137/6014; Y10T 137/6021

See application file for complete search history.

(56) **References Cited**

U.S. PATENT DOCUMENTS

D478,966 S * 8/2003 Citterio D23/238
D503,217 S * 3/2005 Aubry D23/238
D533,630 S * 12/2006 Zetsche D23/238
D557,383 S * 12/2007 Garner D23/255
D575,851 S * 8/2008 Ko D23/241
D601,682 S * 10/2009 Schoenherr D23/328
D677,756 S * 3/2013 Lord D23/238
D680,195 S * 4/2013 Lord D23/255

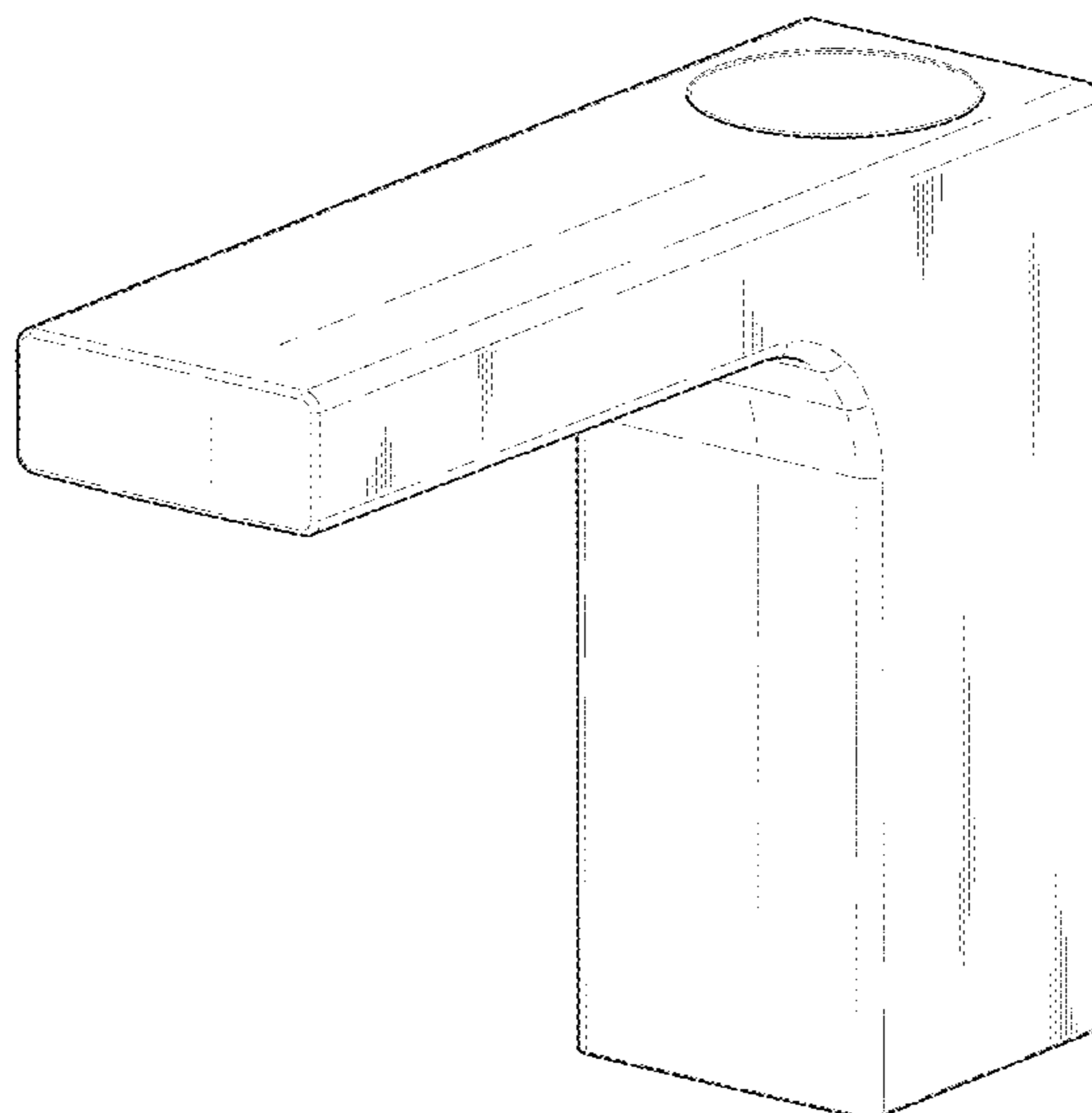
(57) **CLAIM**

The ornamental design for a faucet body, as shown and described.

DESCRIPTION

FIG. 1 is a perspective view of a faucet body showing our design;
FIG. 2 is a front elevational view thereof;
FIG. 3 is a rear elevational view thereof;
FIG. 4 is a side elevational view thereof;
FIG. 5 is a top plan view thereof; and,
FIG. 6 is a bottom plan view thereof.
The broken lines are included for the purpose of illustrating portions of the faucet body that form no part of the claimed design.

1 Claim, 6 Drawing Sheets



(56)

References Cited

FOREIGN PATENT DOCUMENTS

CN	305197136 S	6/2019
EM	001377097-0038	8/2013
EM	001377097-0044	8/2013
EM	003180363-0007	1/2017
EM	003796440-0002	3/2017
KR	3020190002378 *	1/2019

* cited by examiner

FIG. 1

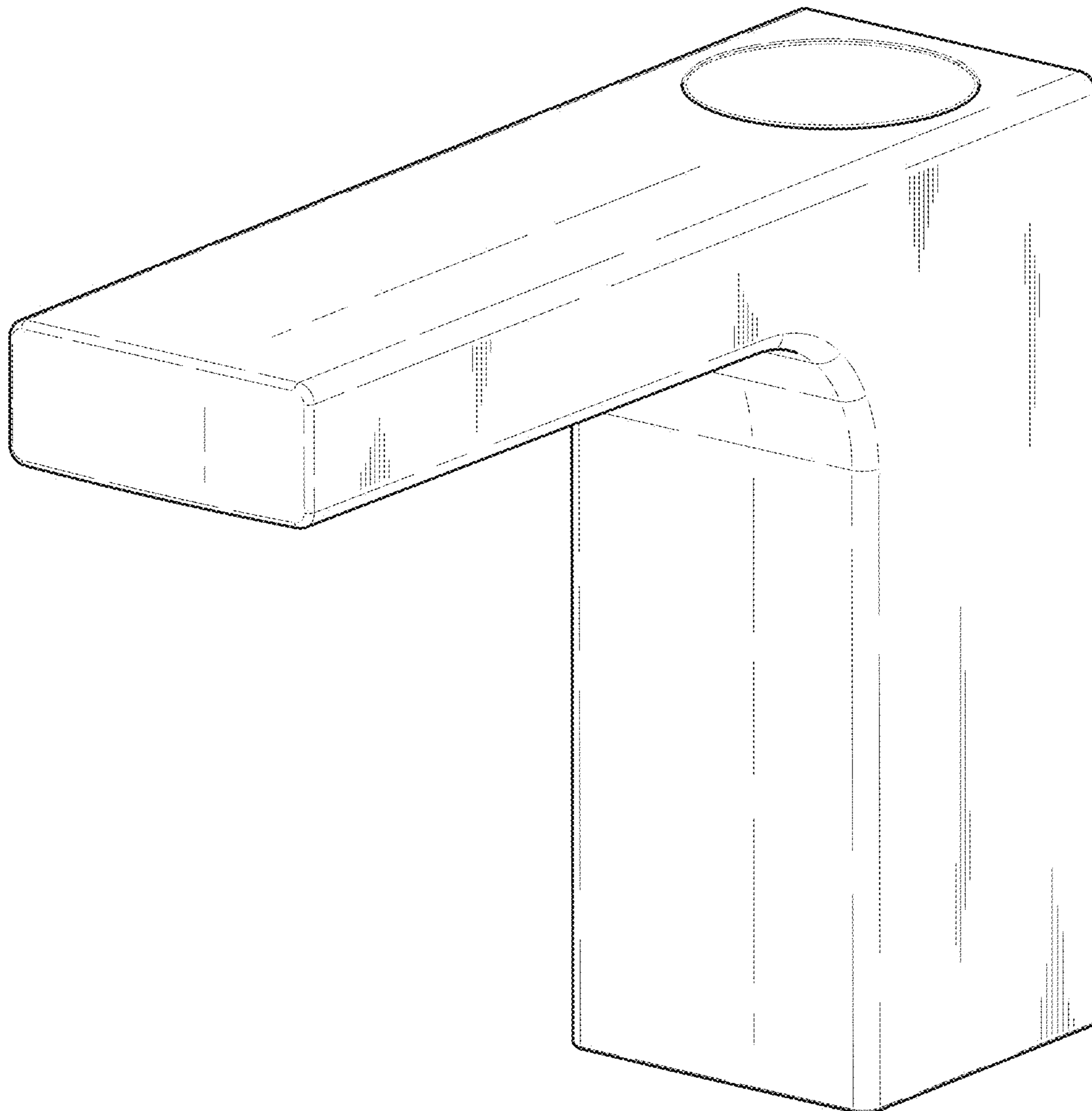


FIG. 2

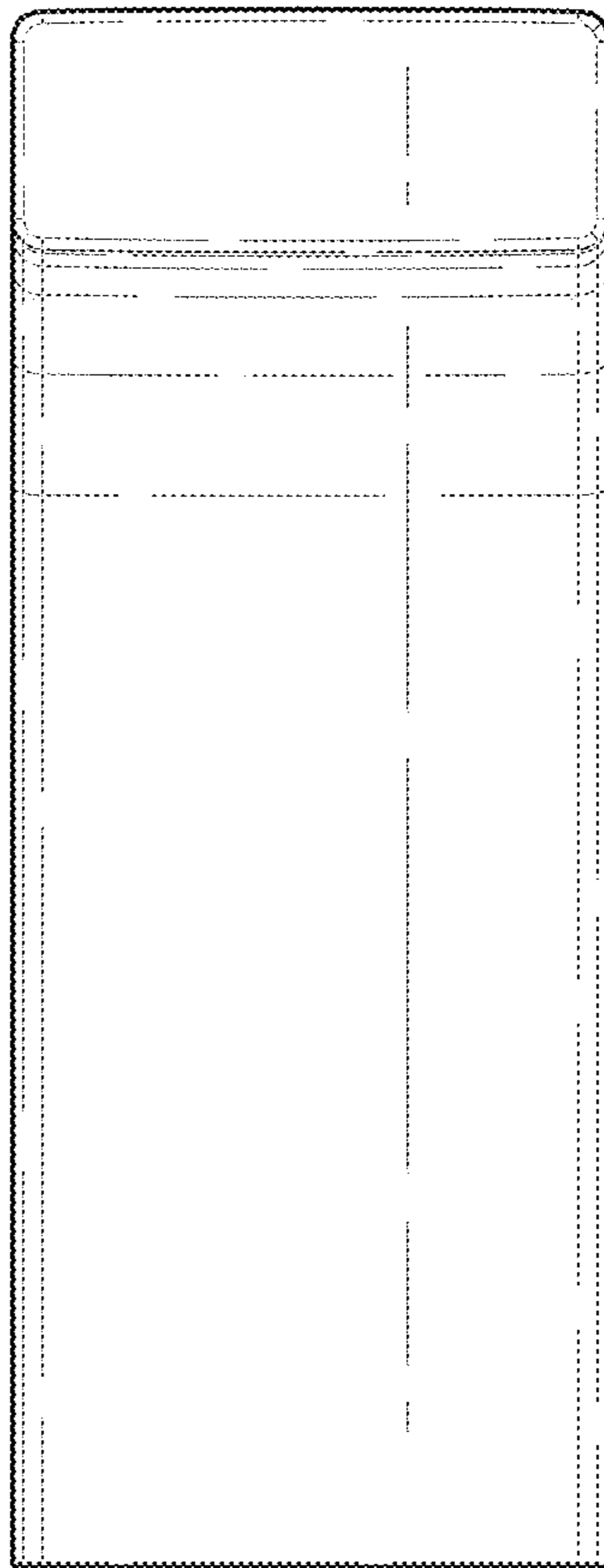


FIG. 3

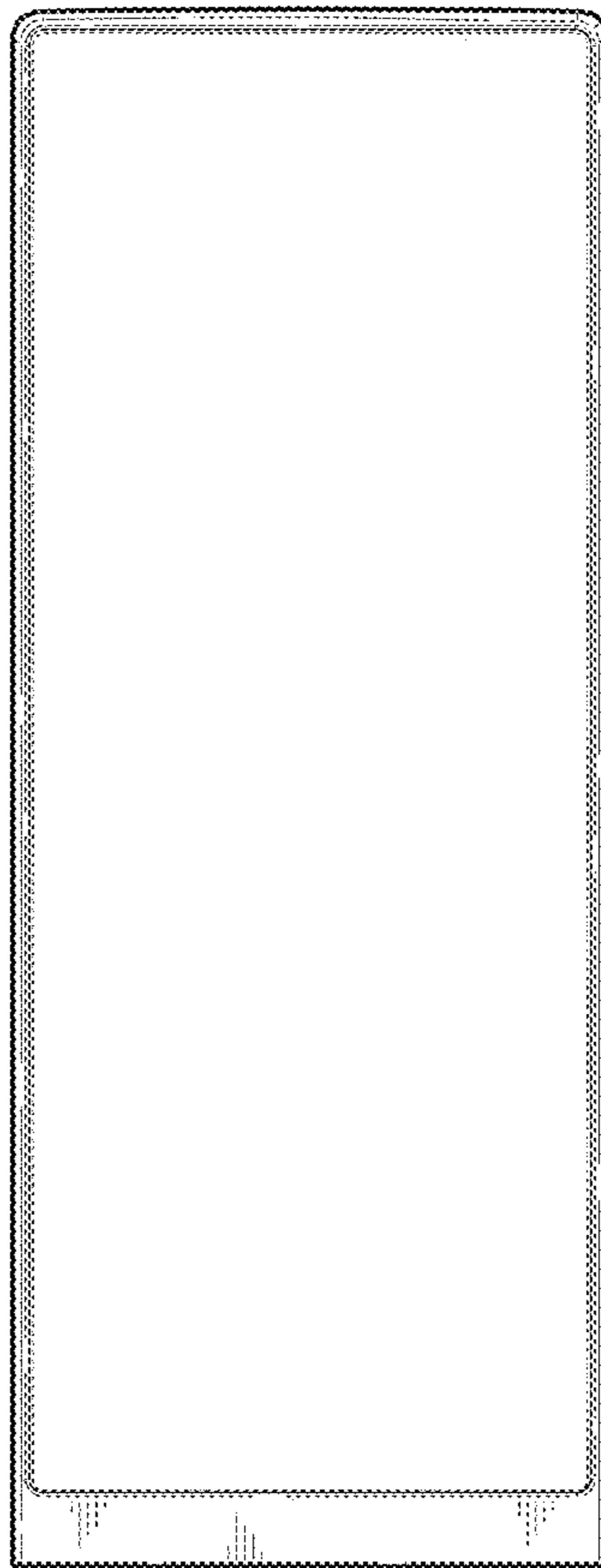


FIG. 4

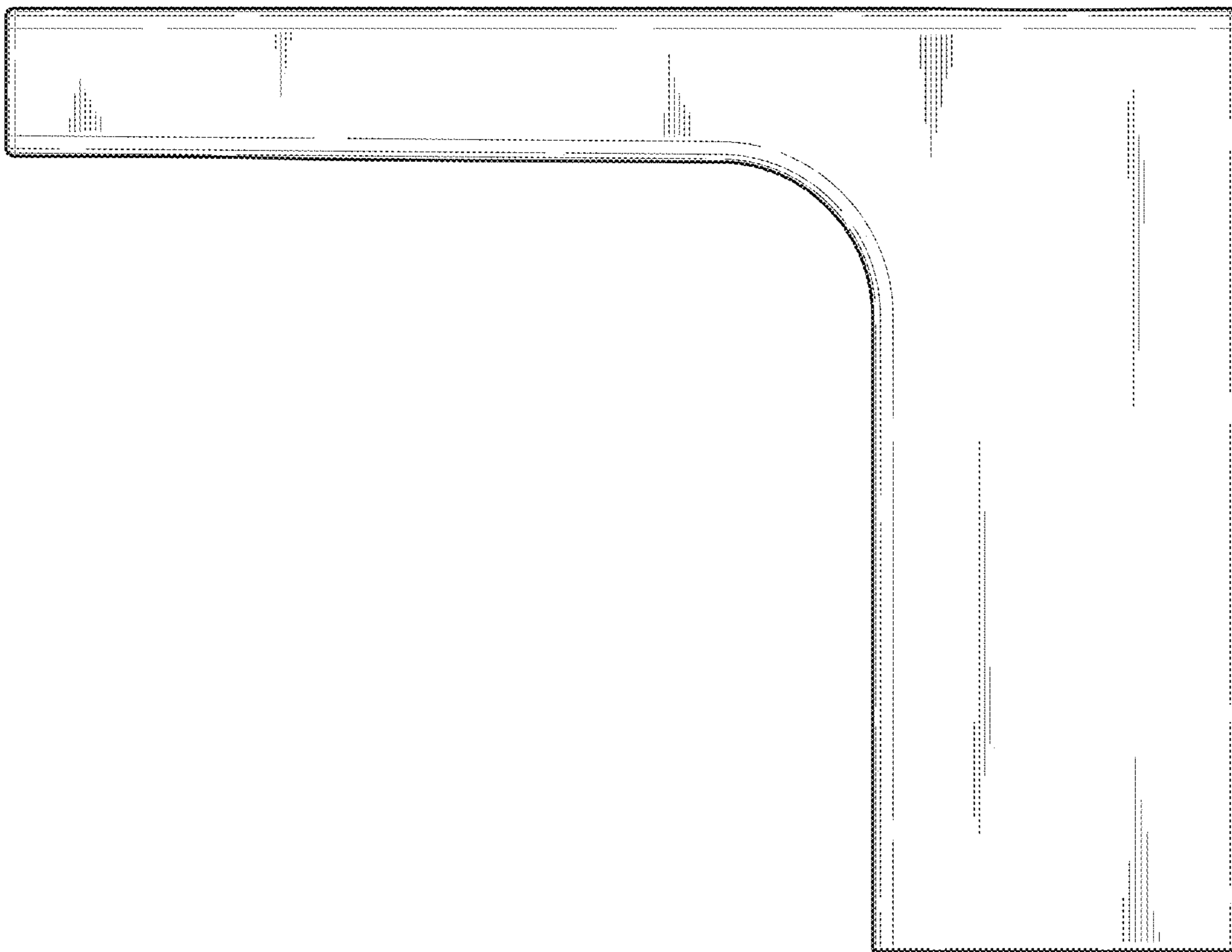


FIG. 5

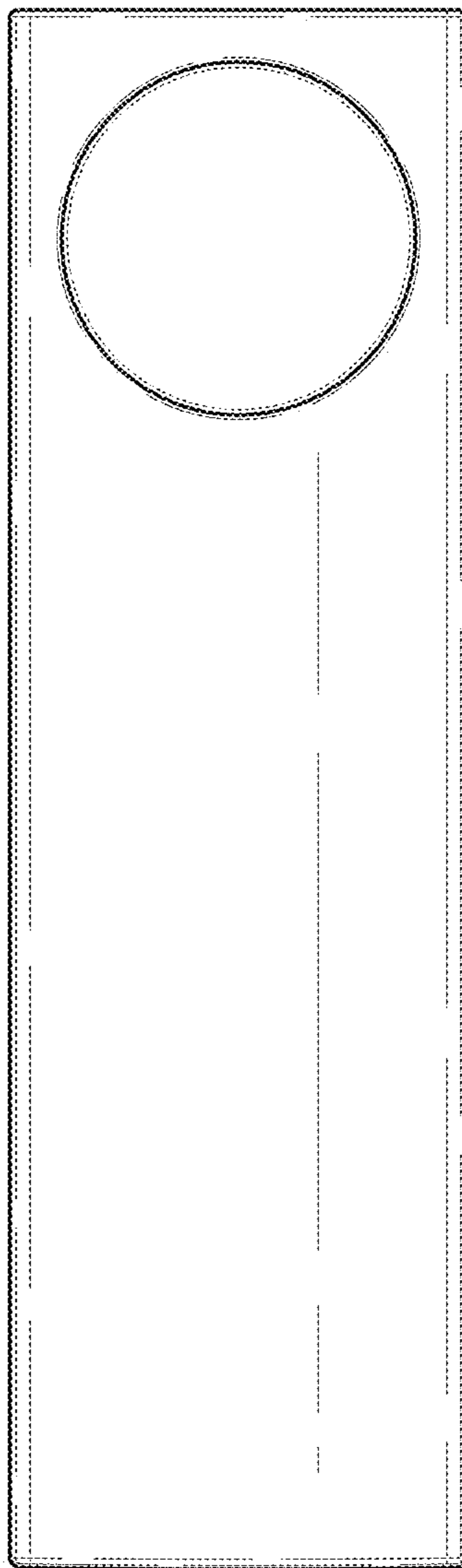


FIG. 6

