



US00D951400S

(12) **United States Design Patent**
Witt et al.

(10) **Patent No.:** **US D951,400 S**

(45) **Date of Patent:** **** May 10, 2022**

(54) **FAUCET BODY**

(71) Applicant: **HANSGROHE SE**, Schiltach (DE)

(72) Inventors: **Alvaro Witt**, Stuttgart (DE); **Andreas Diefenbach**, Ludwigsburg-Ossweil (DE)

(73) Assignee: **Hansgrohe SE**, Schiltach (DE)

(**) Term: **15 Years**

(21) Appl. No.: **29/757,429**

(22) Filed: **Nov. 5, 2020**

(30) **Foreign Application Priority Data**

May 11, 2020 (EM) 007880810

(51) **LOC (13) Cl.** **23-01**

(52) **U.S. Cl.**
USPC **D23/249**

(58) **Field of Classification Search**
USPC D23/257, 249, 254, 259, 255, 233, 234,
D23/235, 236, 237, 238, 240, 241, 242,
D23/243, 250, 251, 252, 253
CPC E03C 1/01; E03C 1/0409; E03C 1/025;
E03C 1/0408; E03C 1/04; E03C 1/0401;
E03C 1/0402; E03C 1/0405; E03C
1/0412; Y10T 137/5339; Y10T 137/6014;
Y10T 137/6021

See application file for complete search history.

(56) **References Cited**

U.S. PATENT DOCUMENTS

D76,904 S * 11/1928 Smith D23/254
D175,819 S * 10/1955 Young D23/252
D300,653 S * 4/1989 Paul D23/255
D522,624 S * 6/2006 Koury D23/252
D524,922 S * 7/2006 Gilbert D23/255
D530,786 S * 10/2006 Gilbert D23/238
D541,388 S * 4/2007 Dolan D23/255

D574,064 S * 7/2008 Hanna D23/257
D574,470 S * 8/2008 Wolf D23/255
D581,027 S * 11/2008 Dolan D23/255
D581,494 S * 11/2008 Dolan D23/255
D582,013 S * 12/2008 Yuan D23/252
D603,023 S * 10/2009 Tippens D23/257
D683,825 S * 6/2013 Sofield D23/255
D718,421 S * 11/2014 Smith D23/252
D718,424 S * 11/2014 Smith D23/255
D829,865 S * 10/2018 Georgeson D23/238
D834,148 S * 11/2018 Thomas D23/242
D867,537 S * 11/2019 Garland D23/242
D868,211 S * 11/2019 Garland D23/238

(Continued)

FOREIGN PATENT DOCUMENTS

CN 03362340.6 * 9/2003
CN 201530293620 * 8/2015
EM 001337620-0001 1/2013

(Continued)

Primary Examiner — Samantha Wood

(74) *Attorney, Agent, or Firm* — Lora J. Graentzdoerffer

(57) **CLAIM**

The ornamental design for a faucet body, as shown and described.

DESCRIPTION

FIG. 1 is a perspective view of a faucet body showing our design;

FIG. 2 is a front elevational view;

FIG. 3 is a rear elevational view;

FIG. 4 is a side elevational view;

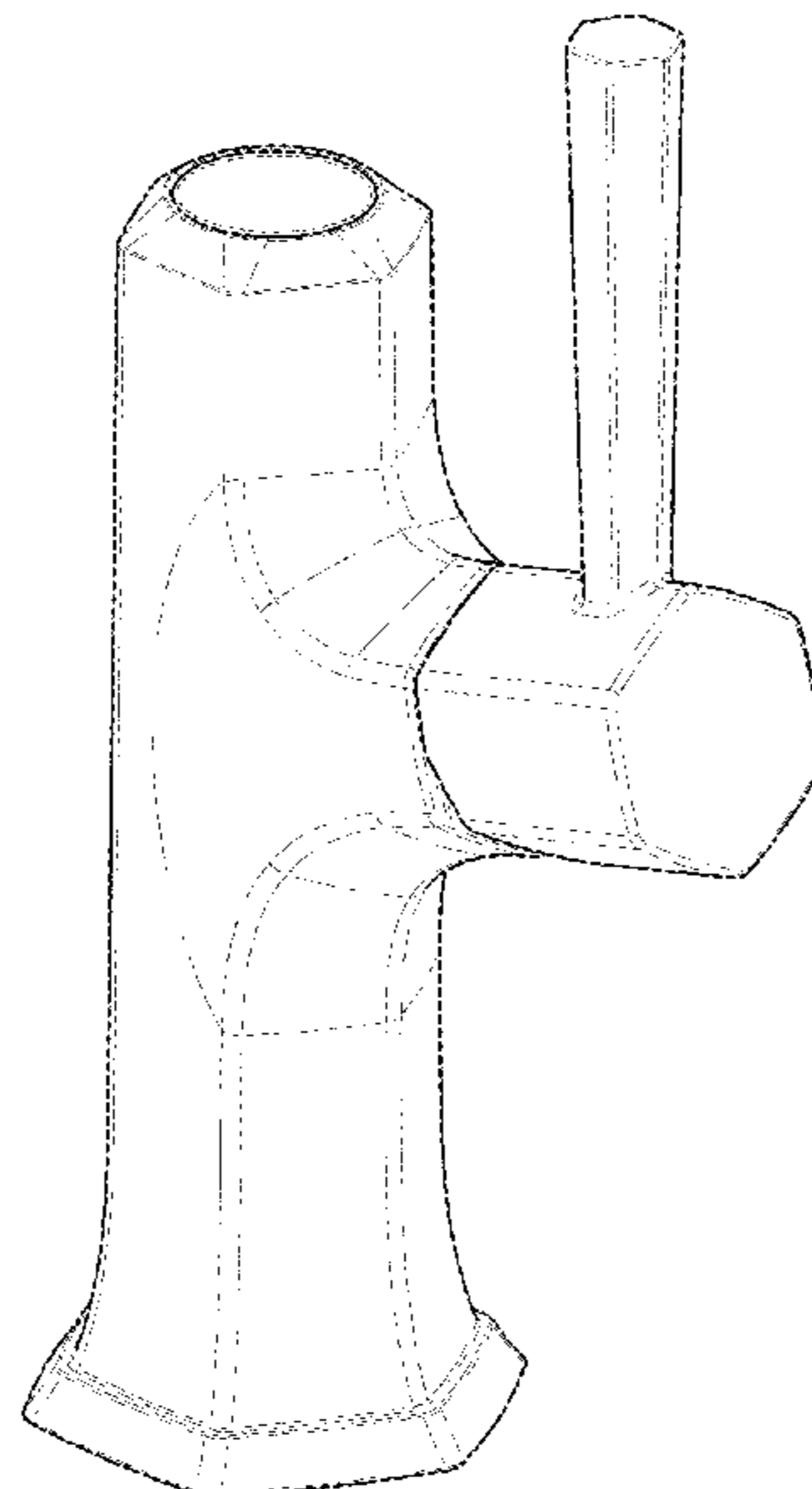
FIG. 5 is a side elevational view;

FIG. 6 is a top plan view; and,

FIG. 7 is a bottom plan view.

The broken lines are included for the purpose of illustrating portions of the article and form no part of the claimed design.

1 Claim, 7 Drawing Sheets



(56)

References Cited

U.S. PATENT DOCUMENTS

D876,588 S * 2/2020 Garland D23/238
 D896,348 S * 9/2020 Zhang D23/238

FOREIGN PATENT DOCUMENTS

EM	001337620-0002	1/2013
EM	001337620-0003	1/2013
EM	001337620-0004	1/2013
EM	001337620-0005	1/2013
EM	001337620-0006	1/2013
EM	002584722-0001	2/2015
EM	002584722-0002	2/2015
EM	002584722-0003	2/2015
EM	002584722-0004	2/2015
EM	002584722-0005	2/2015
EM	002584722-0006	2/2015
EM	002584722-0007	2/2015
EM	002584722-0008	2/2015
EM	002584722-0009	2/2015
EM	002584722-0010	2/2015
EM	004730992-0001	3/2018
EM	004730992-0002	3/2018
EM	004730992-0003	3/2018
EM	004730992-0004	3/2018
EM	004730992-0005	3/2018
EM	004730992-0006	3/2018

EM	004730992-0007	3/2018
EM	004730992-0008	3/2018
EM	004730992-0009	3/2018
EM	004730992-0010	3/2018
EM	004730992-0011	3/2018
EM	004730992-0012	3/2018
EM	006262440-0001	3/2019
EM	006262440-0002	3/2019
EM	006262440-0003	3/2019
EM	006262440-0004	3/2019
EM	006262440-0005	3/2019
EM	006262440-0006	3/2019
EM	006262440-0007	3/2019
EM	006262440-0008	3/2019
EM	006262440-0009	3/2019
EM	006262440-0010	3/2019
EM	006262440-0011	3/2019
EM	006262440-0012	3/2019
EM	006262440-0013	3/2019
EM	006262440-0014	3/2019
EM	006263976-0001	3/2019
EM	006263976-0002	3/2019
EM	006263976-0003	3/2019
EM	006263976-0004	3/2019
EM	006263976-0005	3/2019
EM	006263976-0006	3/2019
EM	006263976-0007	3/2019
EM	006263976-0008	3/2019

* cited by examiner

FIG. 1

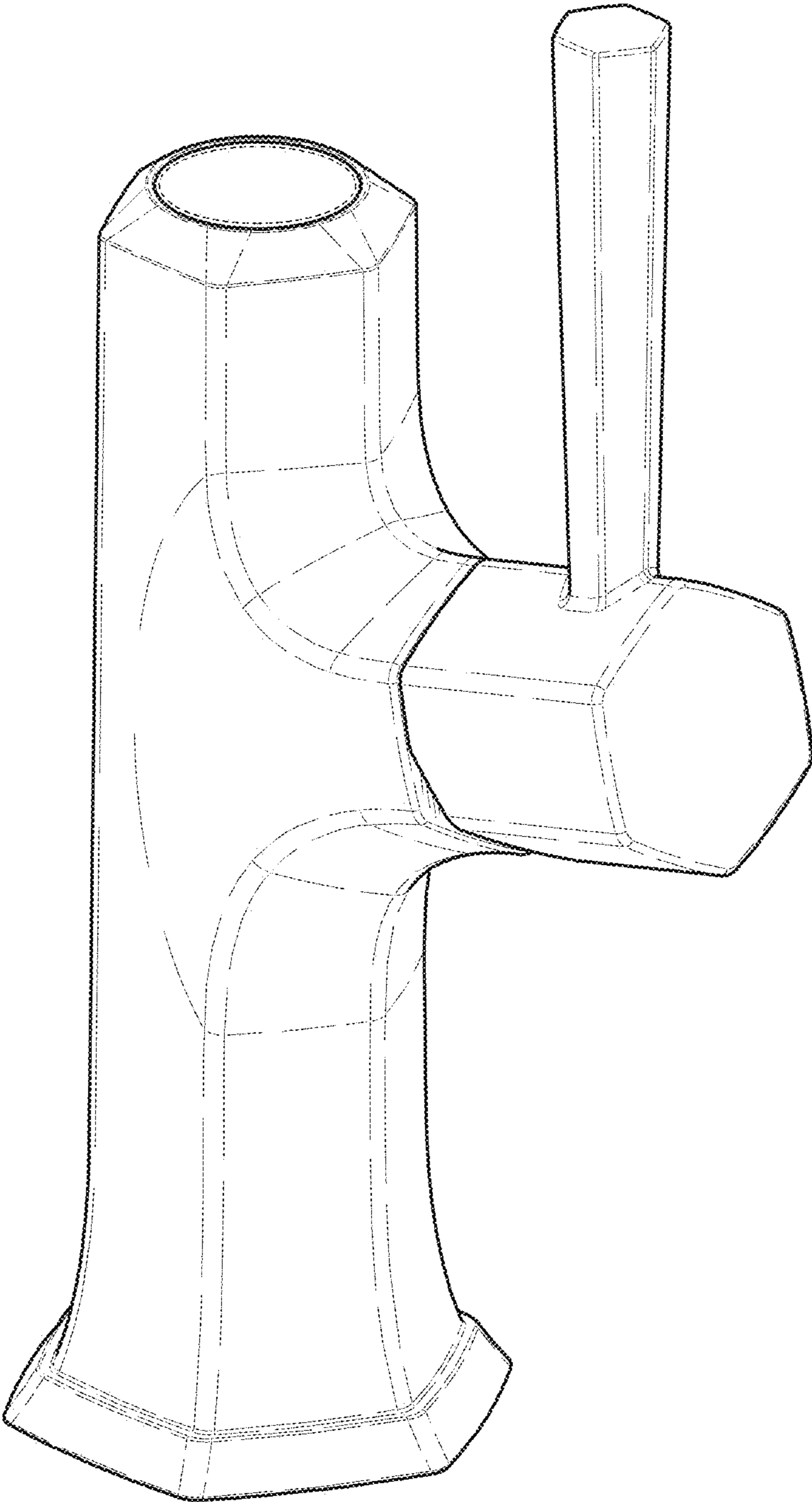


FIG. 2

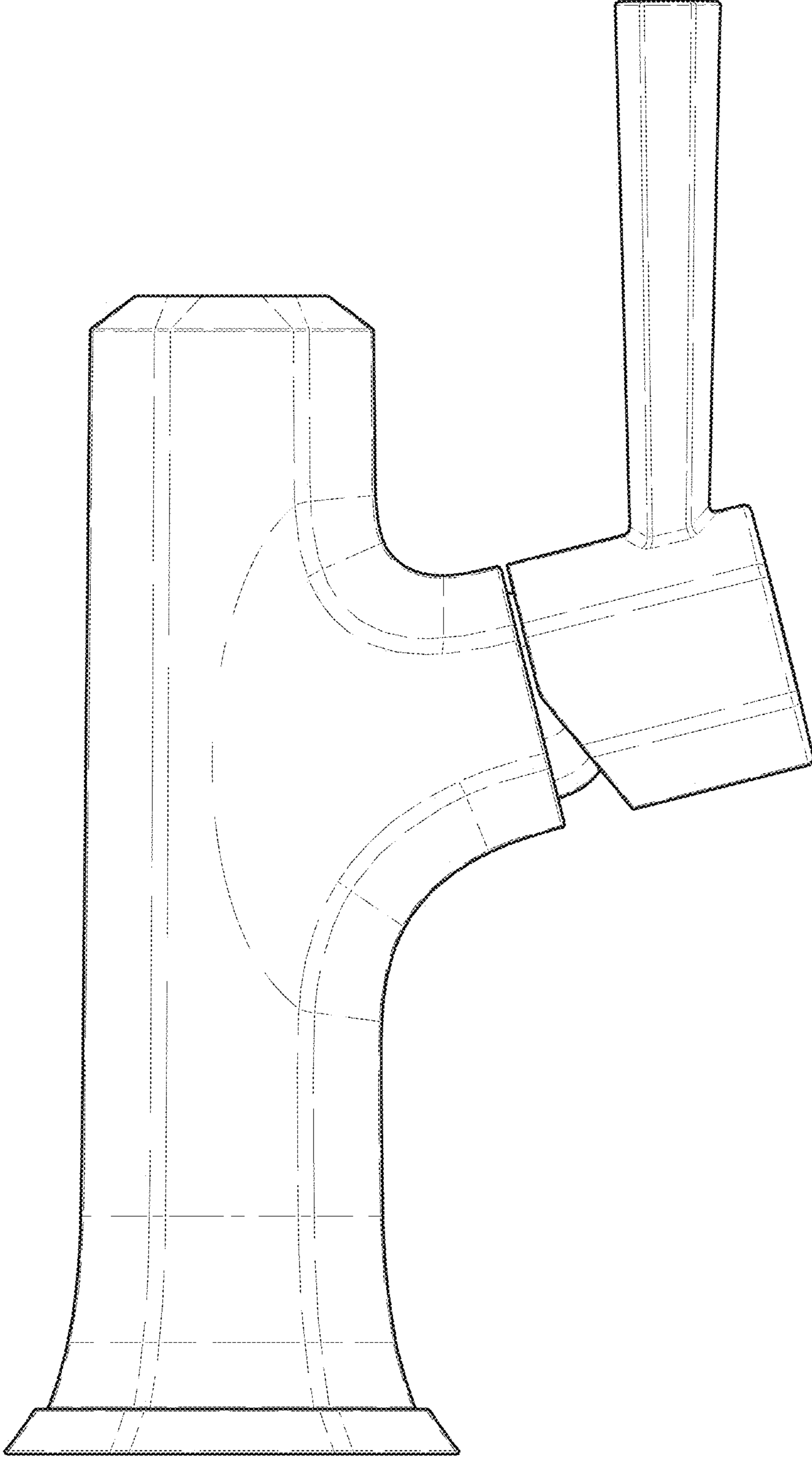


FIG. 3

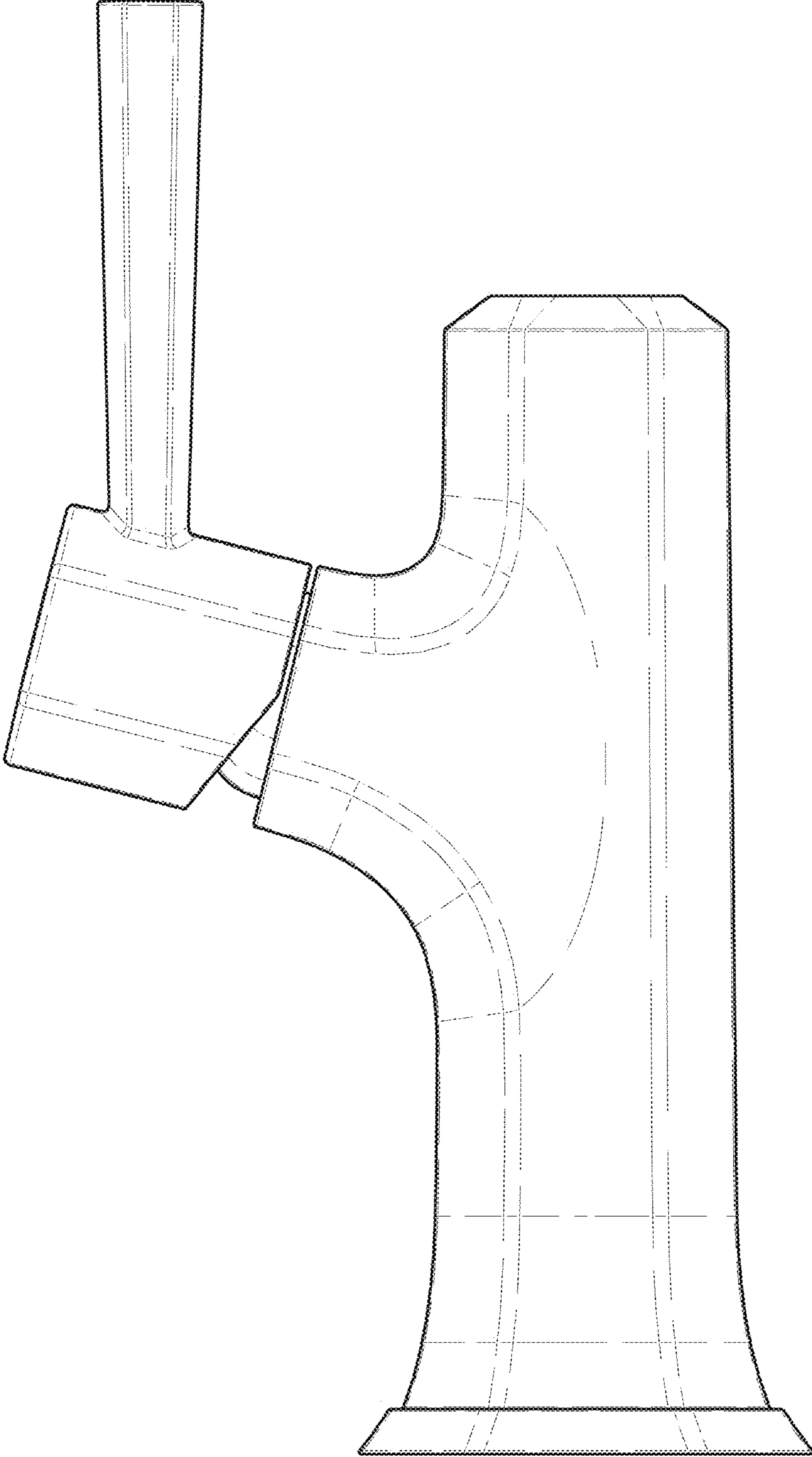


FIG. 4

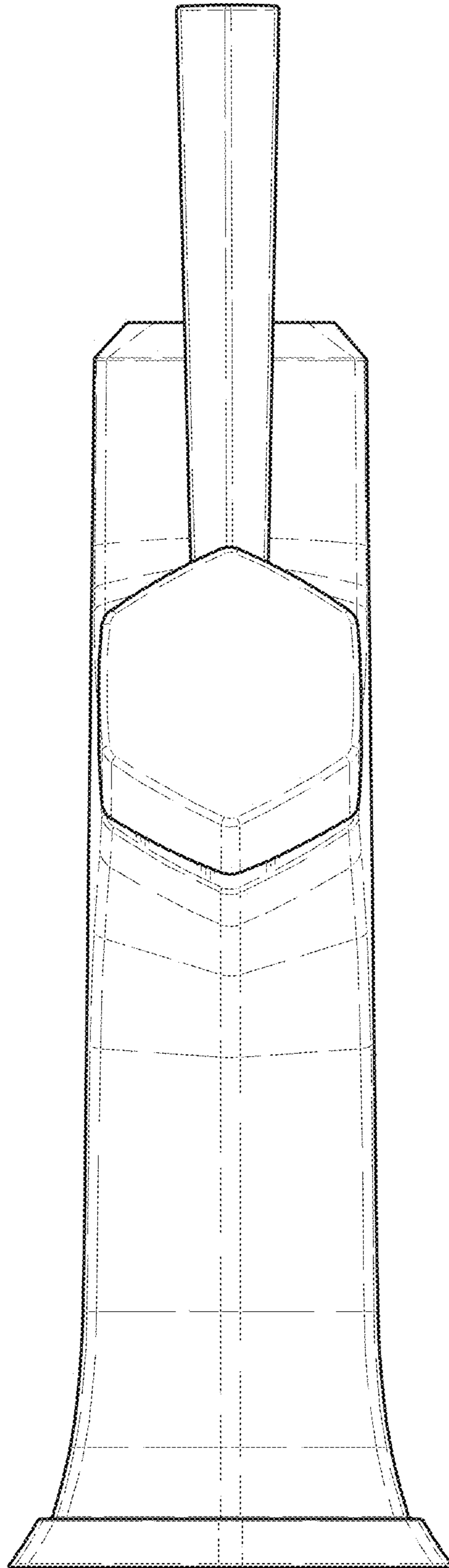


FIG. 5

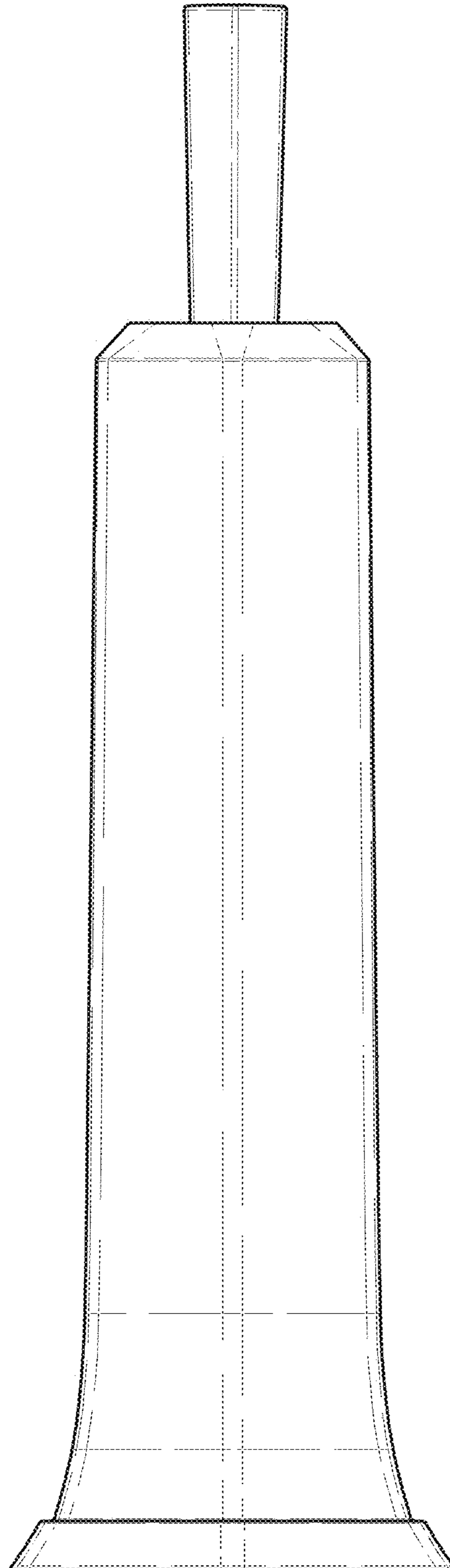


FIG. 6

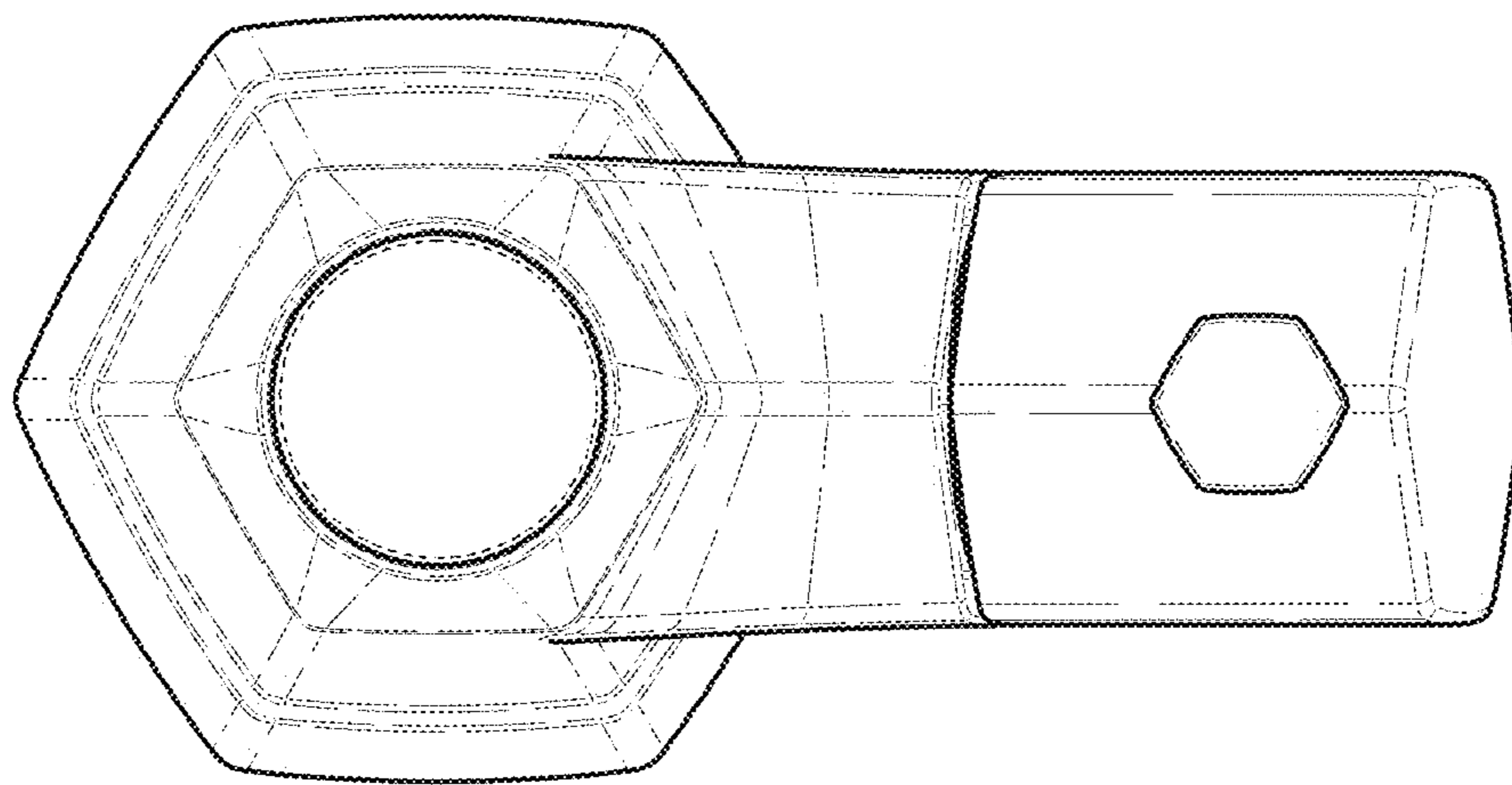


FIG. 7

