



US00D951396S

(12) **United States Design Patent** (10) **Patent No.:** **US D951,396 S**
Diefenbach et al. (45) **Date of Patent:** **** May 10, 2022**

(54) **FAUCET BODY**

FOREIGN PATENT DOCUMENTS

(71) Applicant: **HANS GROHE SE**, Schiltach (DE)

CN 304477596 * 5/2017

(72) Inventors: **Andreas Diefenbach**,
Ludwigsburg-Ossweil (DE); **Alvaro Witt**, Stuttgart (DE)

CN 304579089 * 9/2017

CN 304530755 3/2018

EM 001336481-0088 9/2012

EM 001456776-0009 11/2017

GB 9006862116-0002 * 9/2019

(73) Assignee: **Hansgrohe SE**, Schiltach (DE)

OTHER PUBLICATIONS

(**) Term: **15 Years**

KANARY Bathroom Sink Faucet Lead Free Solid Brass Body Single Handle Bathroom Faucet, first available Jun. 1, 2019[online], [site visited Jun. 11, 2021]. Available from internet, URL:<<https://www.amazon.com/KANARY-Bathroom-Faucet-Single-Brushed/dp/B08PNMFXVS>> (Year: 2019).*

(21) Appl. No.: **29/727,508**

(22) Filed: **Mar. 11, 2020**

* cited by examiner

(30) **Foreign Application Priority Data**

Sep. 12, 2019 (EM) 006862116-0002

Primary Examiner — Barbara Fox

(51) **LOC (13) Cl.** **23-01**

Assistant Examiner — Jamaal Rasheed

(52) **U.S. Cl.**
USPC **D23/238**

(74) *Attorney, Agent, or Firm* — Lora J. Graentzdoerffer

(58) **Field of Classification Search**
USPC D23/238–244, 252, 254–255, 257;
D8/307–308

(57) **CLAIM**

CPC F16K 31/602; F16K 31/605; F16K 31/607;
E03C 1/0412

The ornamental design for a faucet body, as shown and described.

See application file for complete search history.

DESCRIPTION

(56) **References Cited**

FIG. 1 is a perspective view of a faucet body showing our design;

U.S. PATENT DOCUMENTS

D557,383 S	*	12/2007	Garner	D23/255
D615,162 S	*	5/2010	Pan	D23/255
D626,629 S	*	11/2010	Sedwick	D23/238
D635,646 S	*	4/2011	Sedwick	D23/238
D635,649 S	*	4/2011	Schoenherr	D23/255
D638,102 S	*	5/2011	Obara	D23/238
D757,230 S	*	5/2016	Schoenherr	D23/255
D805,607 S	*	12/2017	Streng	D23/240
D809,629 S	*	2/2018	Streng	D23/240
D903,822 S	*	12/2020	Tomiya	D23/238

FIG. 2 is the front elevational view thereof;

FIG. 3 is the rear elevational view thereof;

FIG. 4 is the side elevational view thereof;

FIG. 5 is the top plan view thereof; and,

FIG. 6 is the bottom plan view thereof.

The broken line disclosures in the view represents portions of the faucet body in which the claimed design is embodied, but which forms no part of the claimed design.

1 Claim, 6 Drawing Sheets

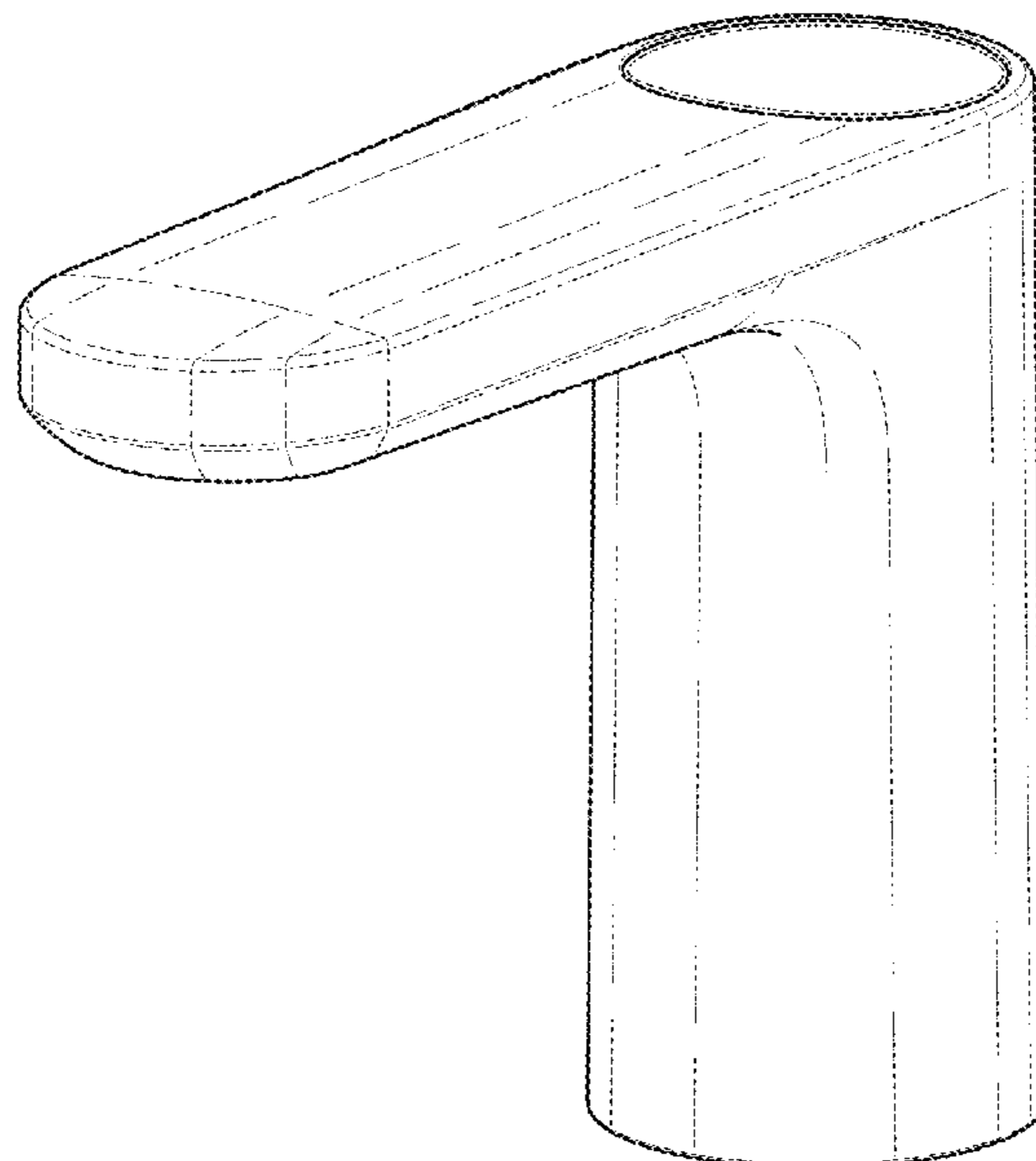


FIG. 1

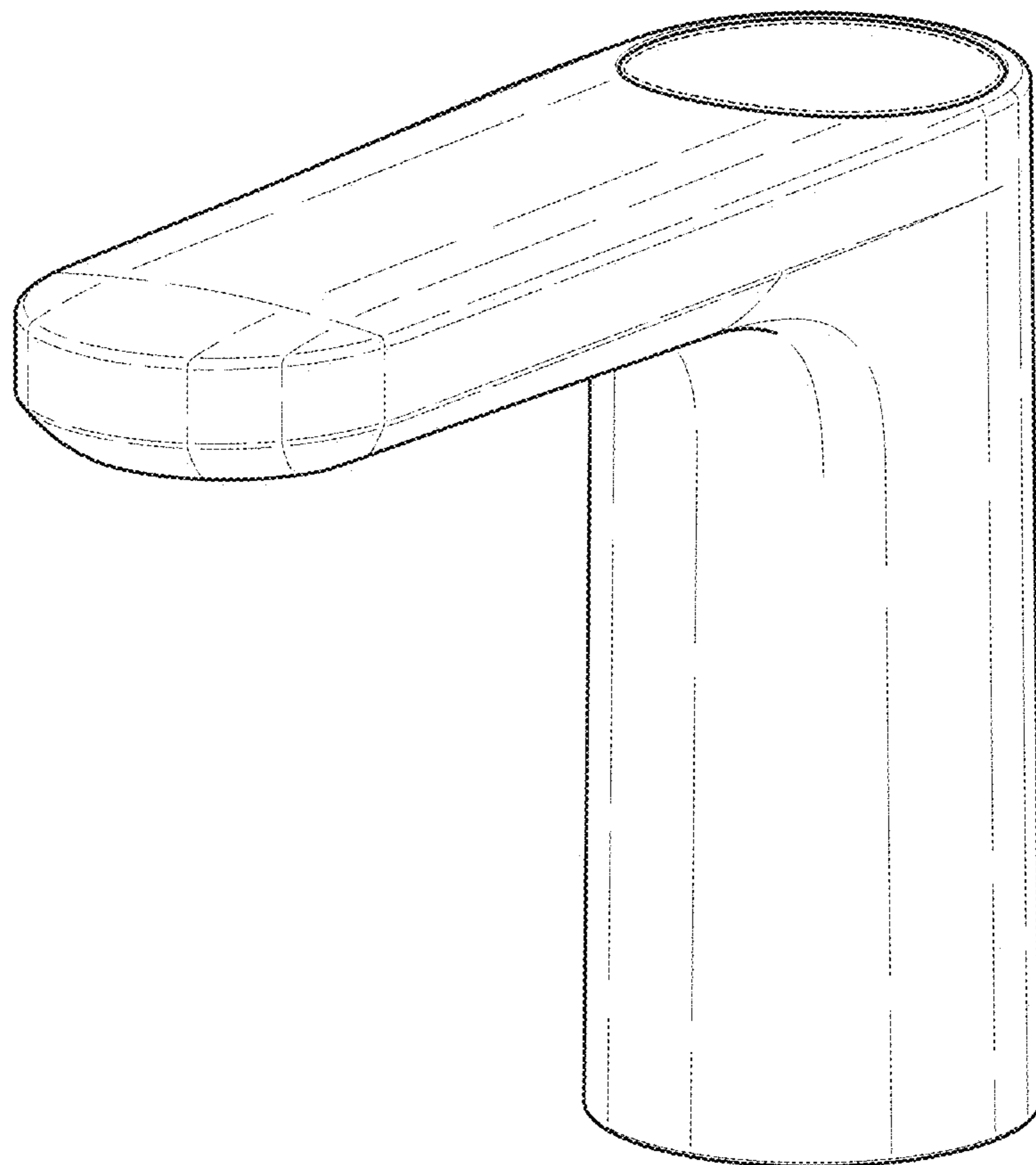


FIG. 2

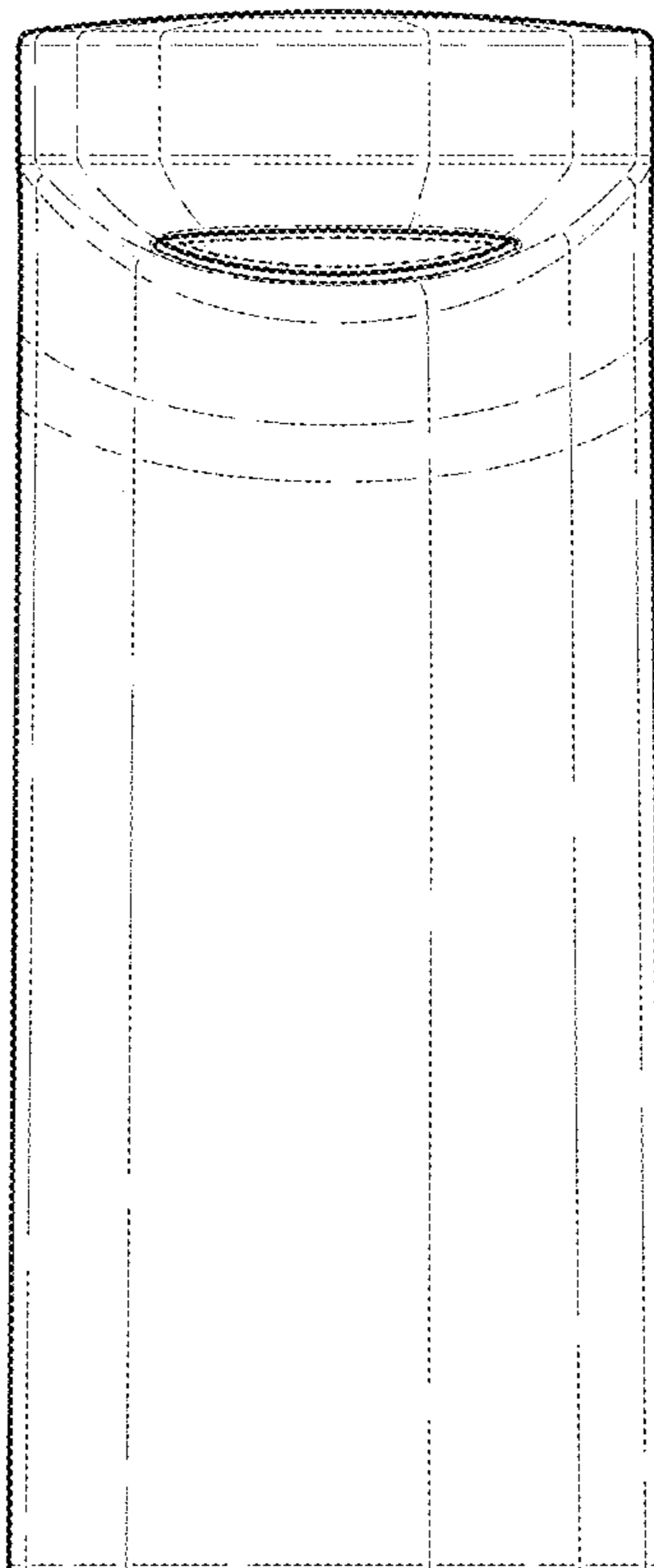


FIG. 3

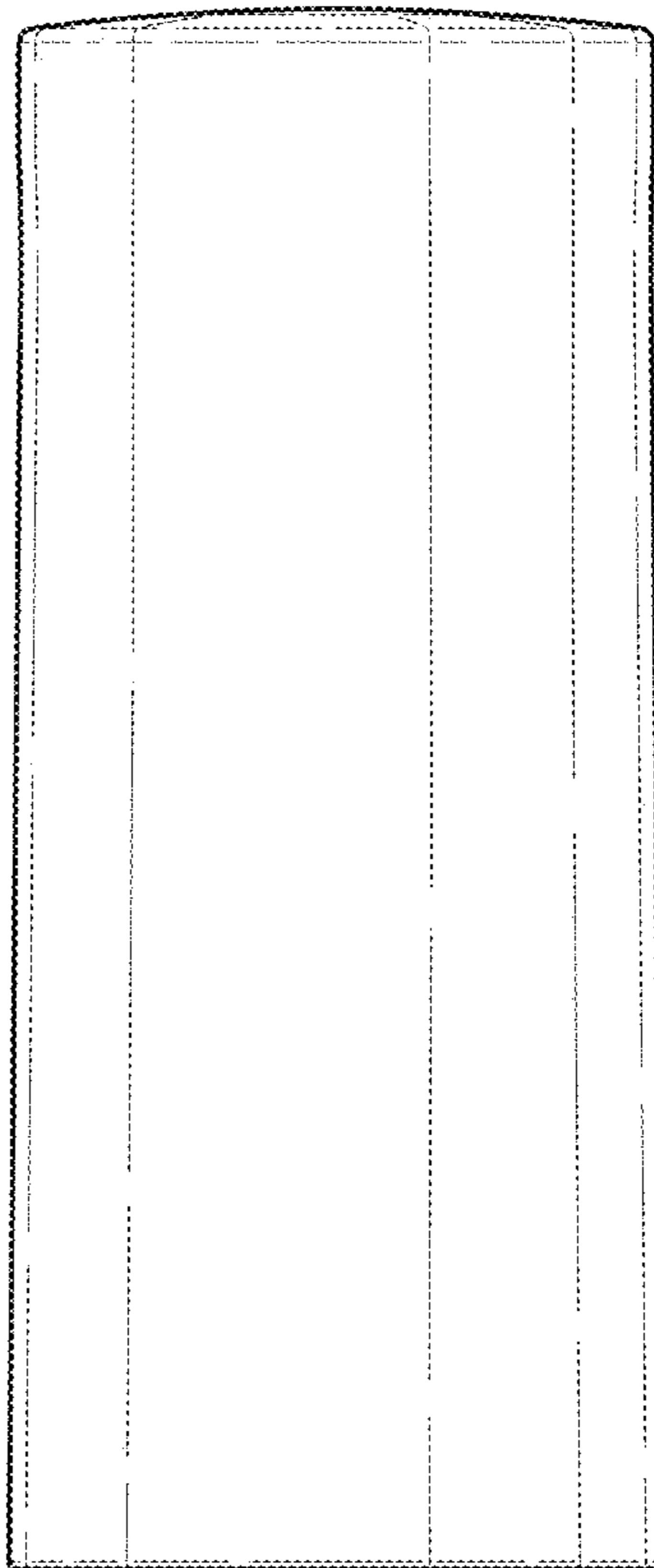


FIG. 4

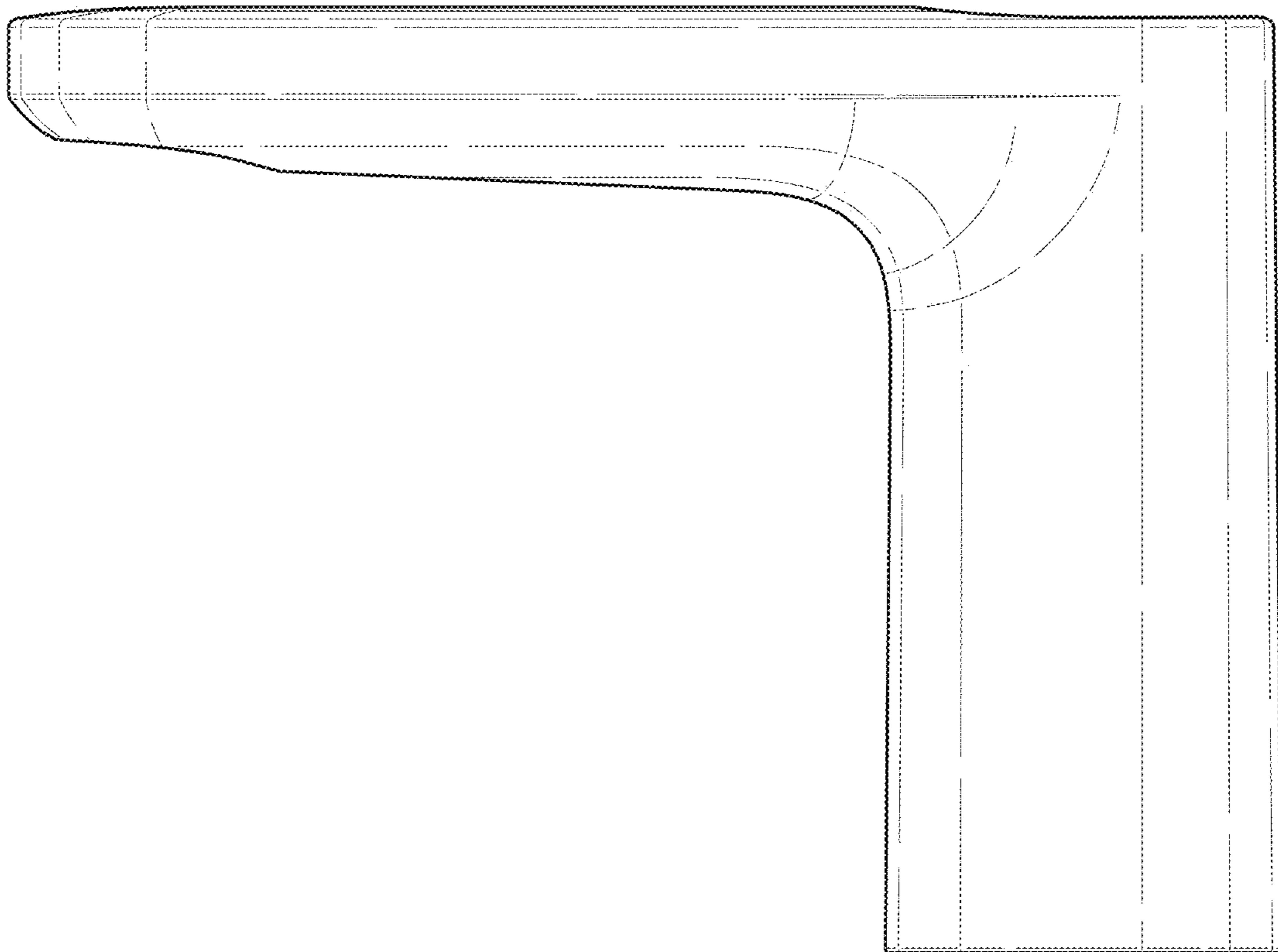


FIG. 5

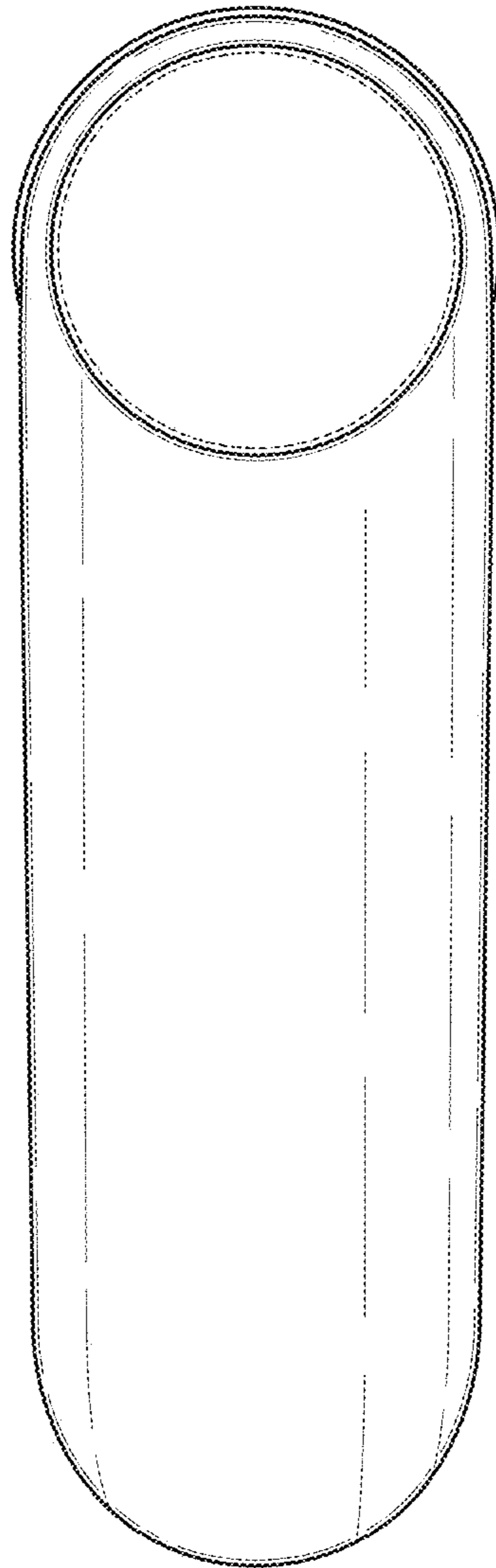


FIG. 6

