



US00D951395S

(12) **United States Design Patent** (10) **Patent No.:** **US D951,395 S**
Liao (45) **Date of Patent:** **** May 10, 2022**

(54) **PRE-RINSE SPRAYER**
(71) Applicant: **Shenzhen Kuweisite Technology Co., Ltd.**, Guangdong (CN)
(72) Inventor: **Wenjuan Liao**, Hunan (CN)
(73) Assignee: **Shenzhen Kuweisite Technology Co., Ltd.**, Guangdong (CN)
(**) Term: **15 Years**
(21) Appl. No.: **29/798,371**
(22) Filed: **Jul. 7, 2021**
(51) **LOC (13) Cl.** **23-01**
(52) **U.S. Cl.**
USPC **D23/226**
(58) **Field of Classification Search**
USPC D23/213, 223, 225, 226, 228, 238, D23/239-243, 254
CPC E03C 2001/0414; E03C 2001/0415; E03C 1/0404; E03C 1/0405; A47L 17/00
See application file for complete search history.

D538,393 S * 3/2007 Chung D23/223
8,960,649 B2 * 2/2015 Bellandi A01M 7/0021
261/78.2
D795,396 S * 8/2017 Kaule D23/255
D903,825 S * 12/2020 Liu D23/238
D912,778 S * 3/2021 Huang D23/238
(Continued)

OTHER PUBLICATIONS

KOLLNIUN Pre Rinse Sprayer Head with Handle Grip, Sep. 10, 2021, Amazon, site visited Mar. 13, 2022: <https://www.amazon.com/dp/B09FXX7NN6/> (Year: 2021).*
(Continued)

Primary Examiner — Jack Reickel
Assistant Examiner — Bobby W Jones, II
(74) *Attorney, Agent, or Firm* — ScienBiziP, P.C.

(57) **CLAIM**

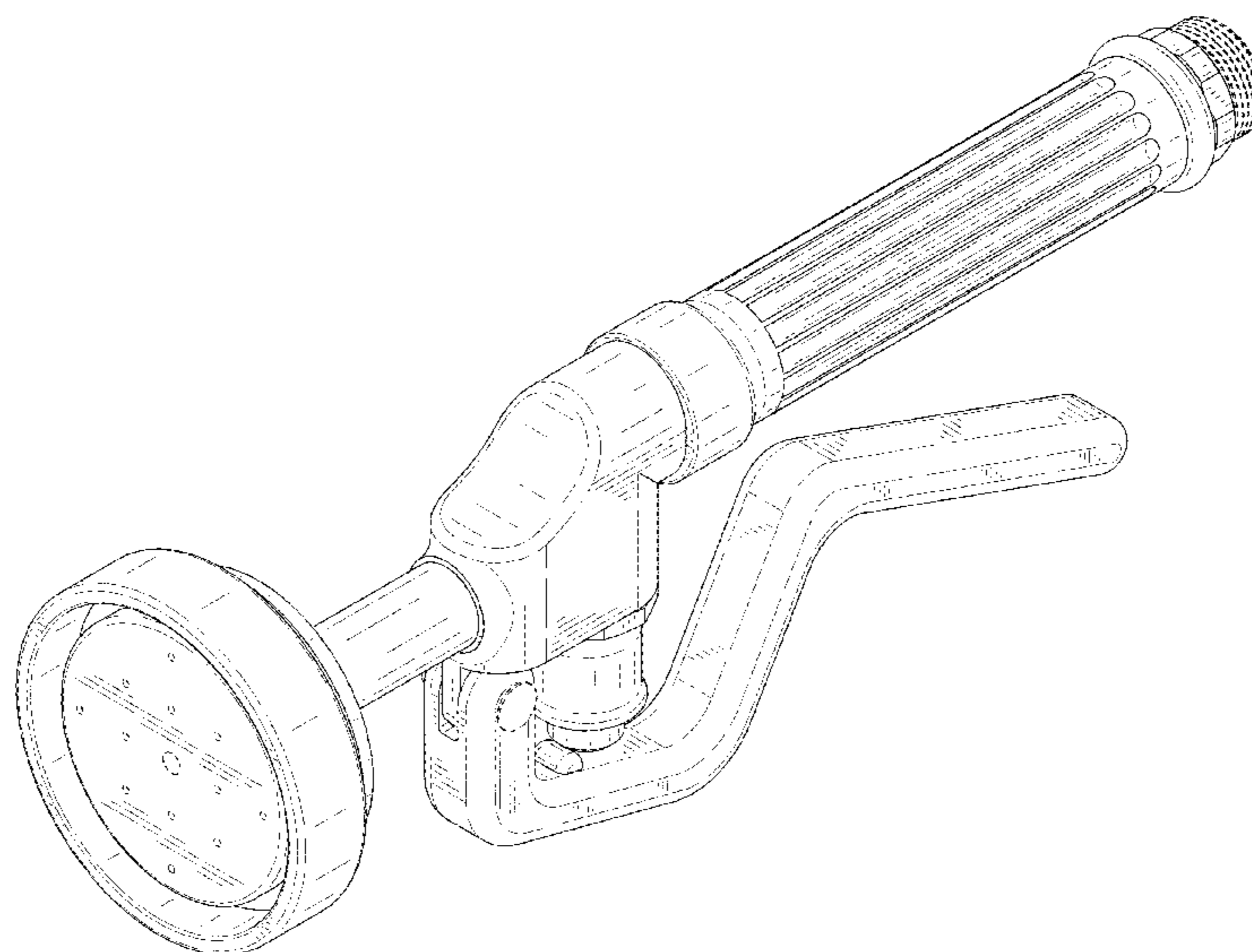
The ornamental design for a pre-rinse sprayer, as shown and described.

DESCRIPTION

FIG. 1 is a front, left, and top perspective view of a pre-rinse sprayer, showing my design.
FIG. 2 is a rear, left, and bottom perspective view thereof.
FIG. 3 is a front elevation view thereof.
FIG. 4 is a rear elevation view thereof.
FIG. 5 is a left side elevation view thereof.
FIG. 6 is a right side elevation view thereof.
FIG. 7 is a top plan view thereof.
FIG. 8 is a bottom plan view thereof; and,
FIG. 9 is a partial enlarged view of an area labeled 9 in FIG. 2 comprising a part of a handle.
The broken lines shown in the drawings are included for the purpose of illustrating portions of the pre-rinse sprayer that form no part of the claimed design.

1 Claim, 9 Drawing Sheets

(56) **References Cited**
U.S. PATENT DOCUMENTS
2,853,262 A * 9/1958 Reimann F16L 3/003
239/588
4,709,715 A * 12/1987 Knight A47L 17/00
137/616.5
5,624,074 A * 4/1997 Parisi E03C 1/06
239/588
5,722,595 A * 3/1998 Parisi B05B 9/01
239/525
D405,159 S * 2/1999 Kieffer D23/226
D420,726 S * 2/2000 Slothower D23/257
6,234,192 B1 * 5/2001 Esche B65H 75/4478
251/114
D532,862 S * 11/2006 Chung D23/213
D533,917 S * 12/2006 Chung D23/213
7,150,415 B2 * 12/2006 Weaver B05B 12/0024
239/443



(56)

References Cited

U.S. PATENT DOCUMENTS

D914,841 S * 3/2021 Zhang D23/226
D914,842 S * 3/2021 Zhang D23/226
D914,843 S * 3/2021 Zhang D23/226
D921,840 S 6/2021 Chen
D926,926 S * 8/2021 Moldthan D23/213
D931,416 S * 9/2021 Chen D23/238
D940,273 S * 1/2022 Huang D23/226
2004/0188549 A1 * 9/2004 Habermacher B05B 1/304
239/525
2013/0019974 A1 * 1/2013 Laera E03C 1/0404
137/801

OTHER PUBLICATIONS

MS Commercial Kitchen Sink Faucet, Aug. 30, 2017, Amazon, site visited Mar. 13, 2022: <https://www.amazon.com/dp/B07MJPT53V/> (Year: 2017).*

Aquaterior Commercial Kitchen Sink Faucet, Jan. 4, 2016, Amazon, site visited Mar. 13, 2022: <https://www.amazon.com/dp/B01A51RZE2/> (Year: 2016).*

* cited by examiner

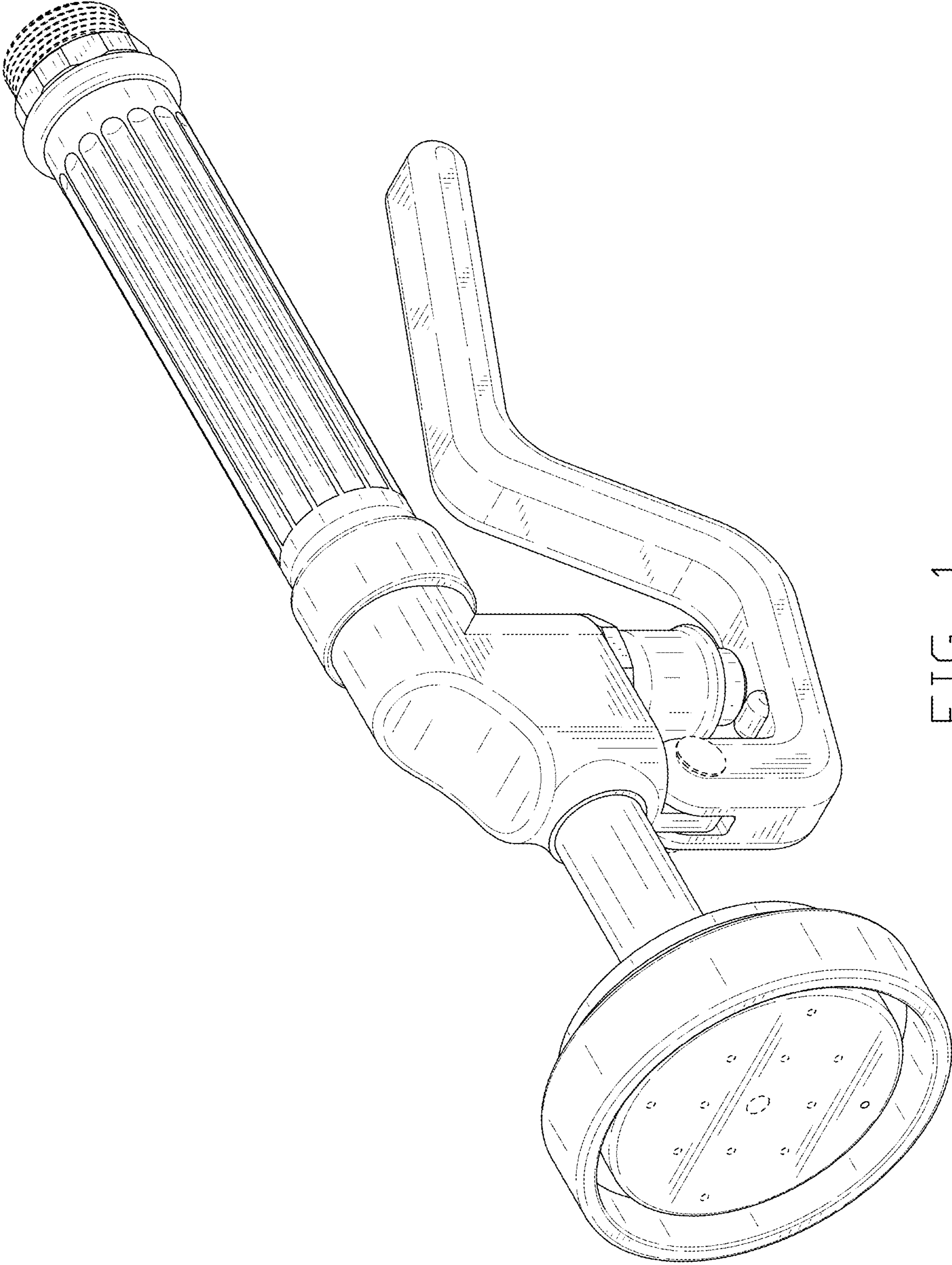


FIG. 1

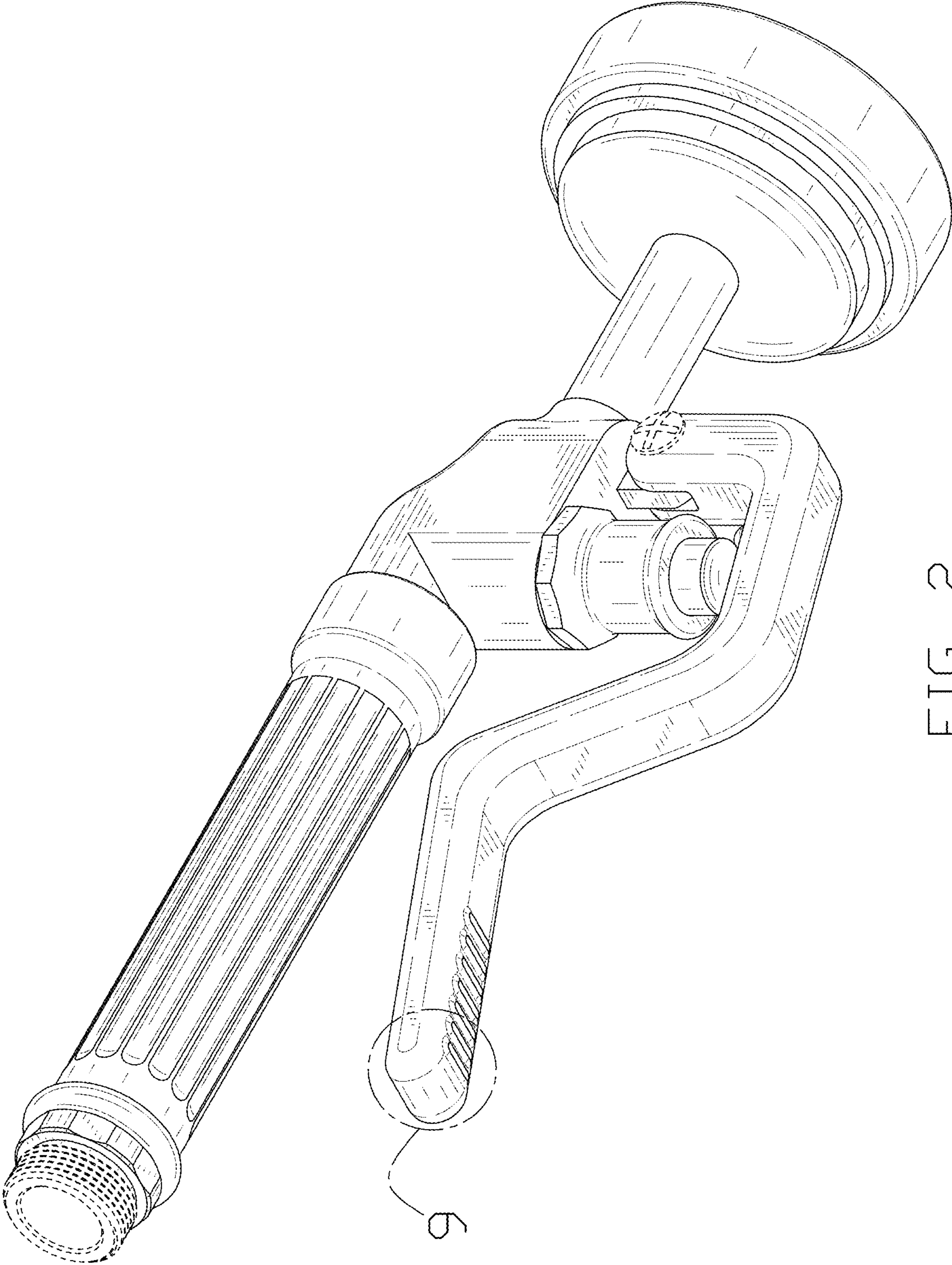


FIG. 2

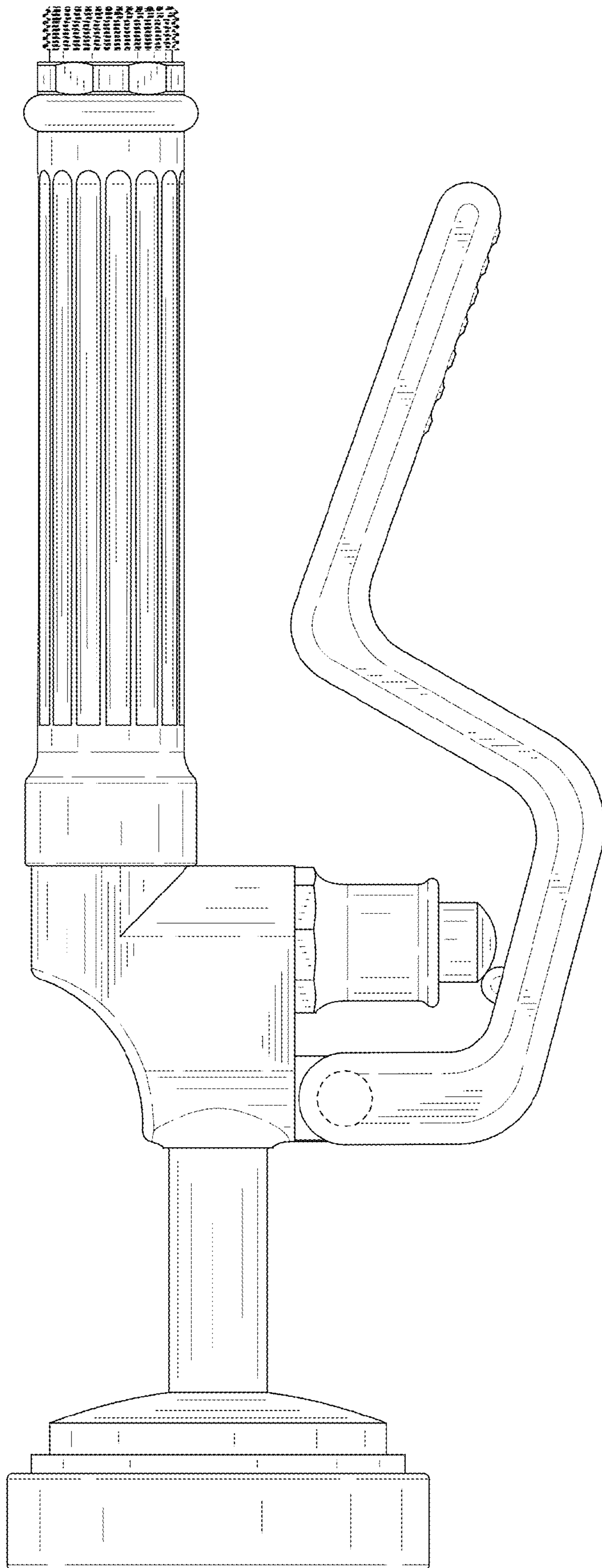


FIG. 3

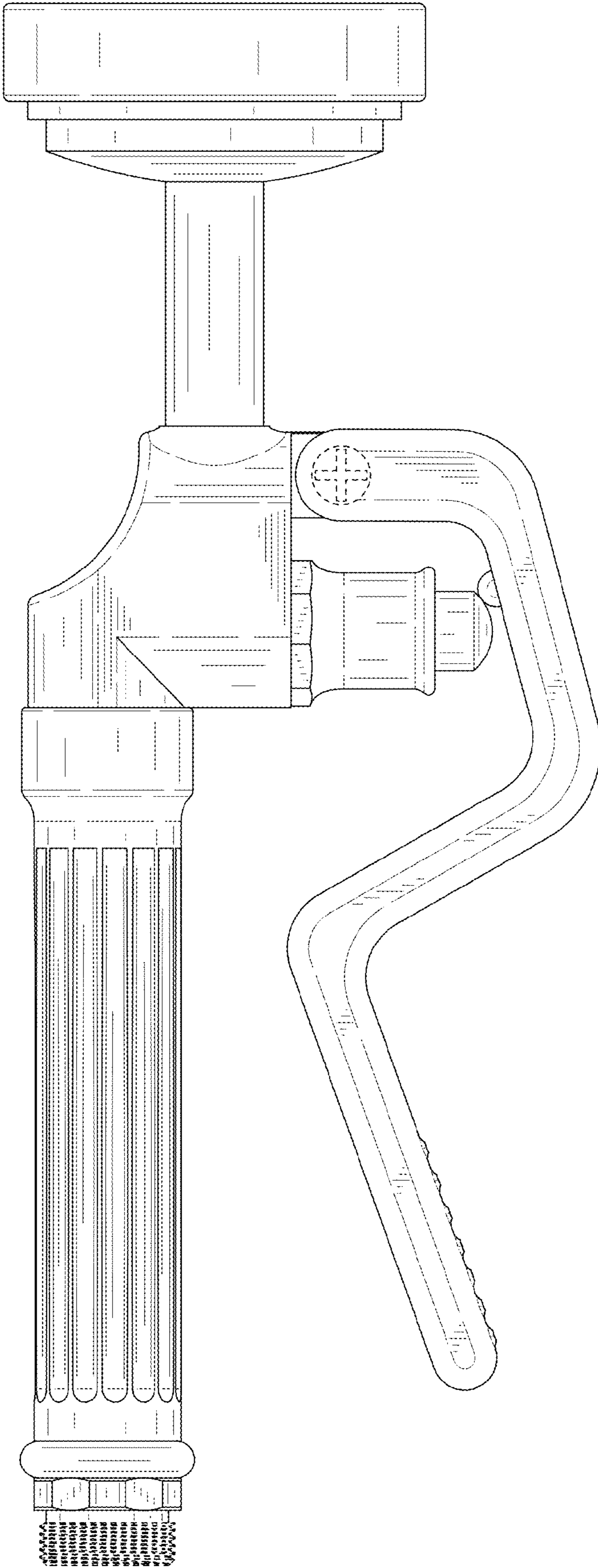


FIG. 4

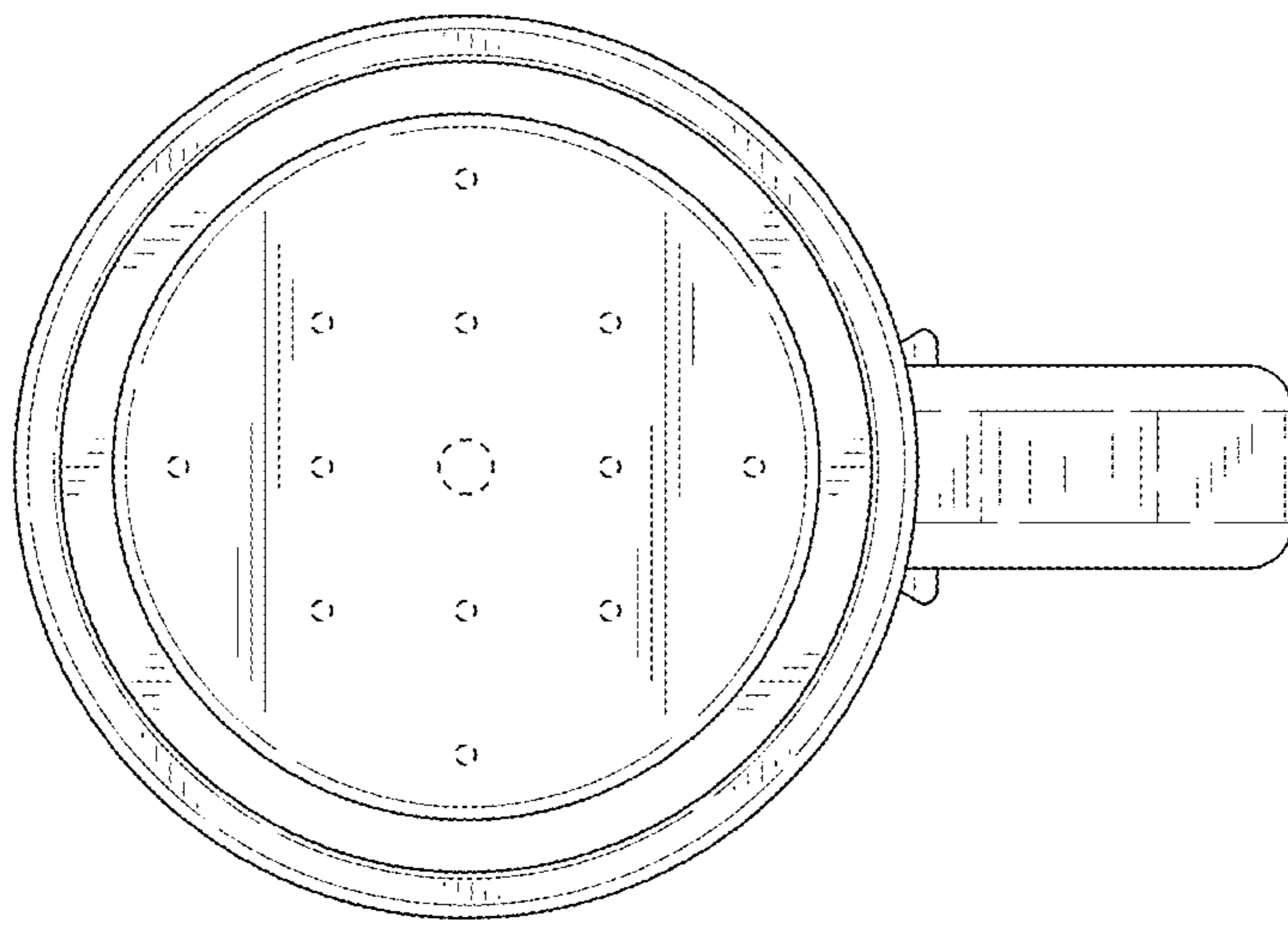


FIG. 5

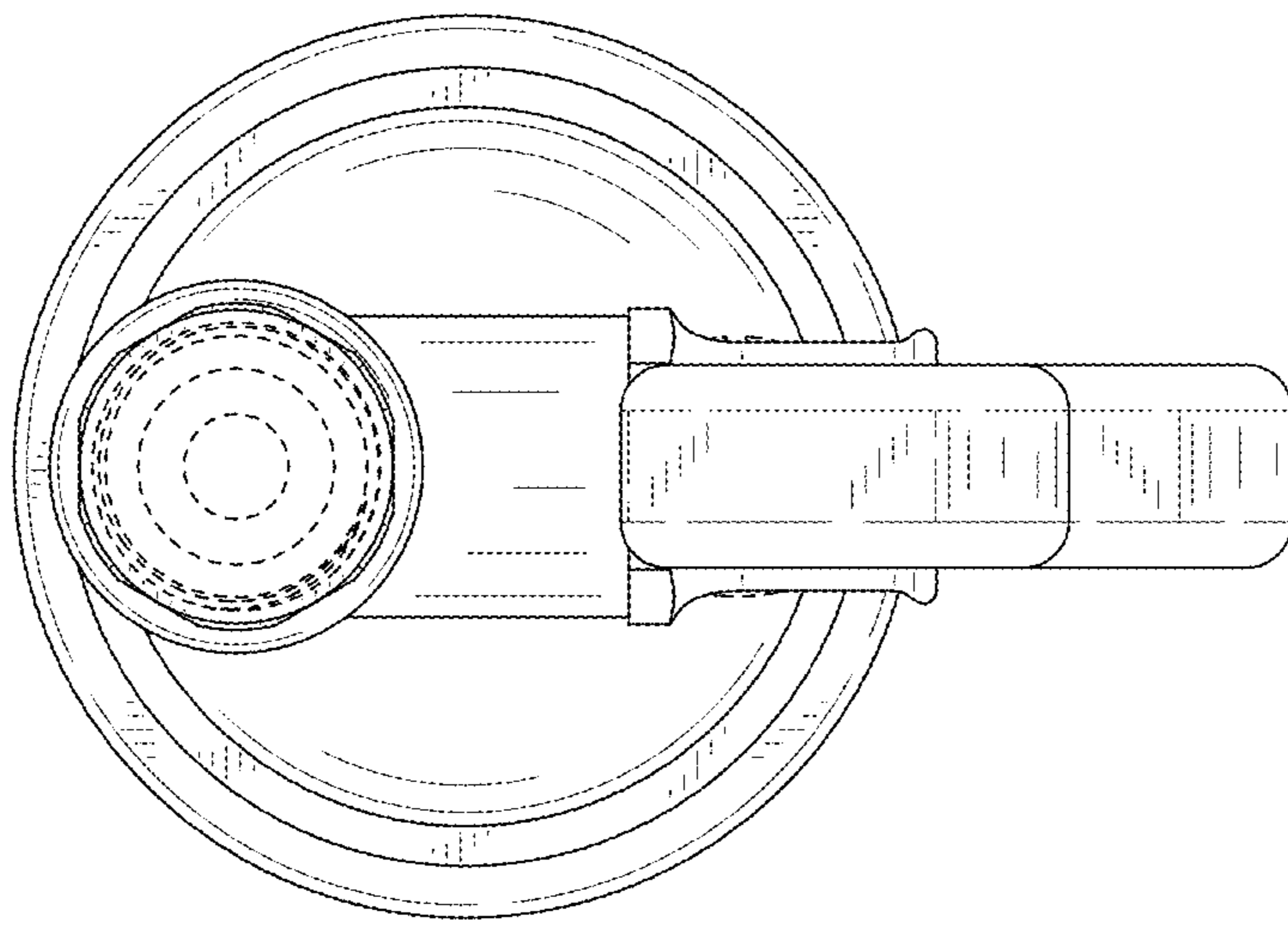


FIG. 6

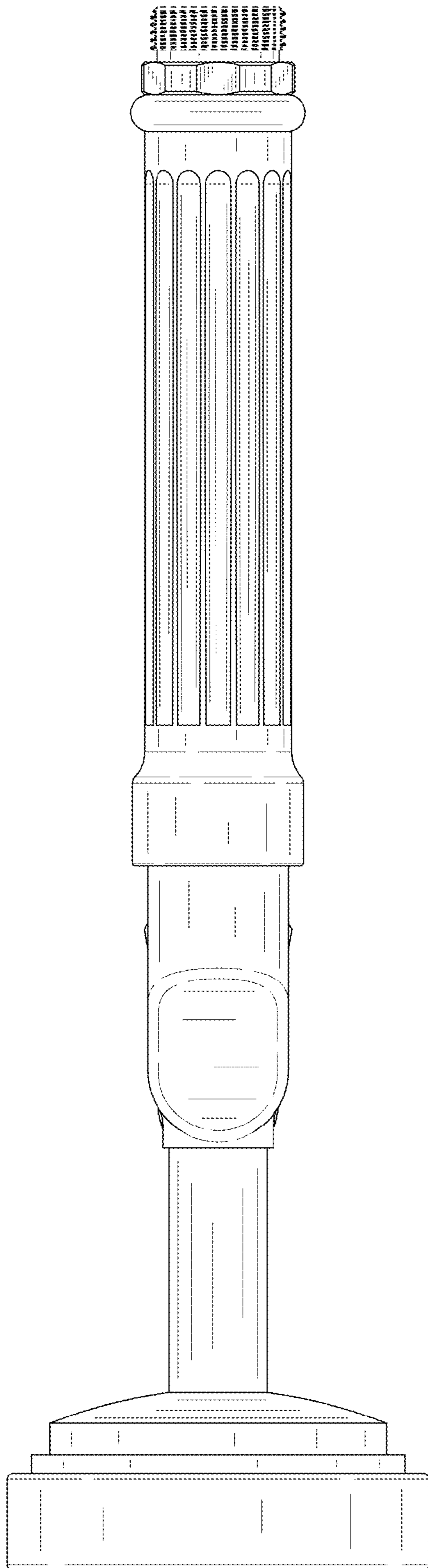


FIG. 7

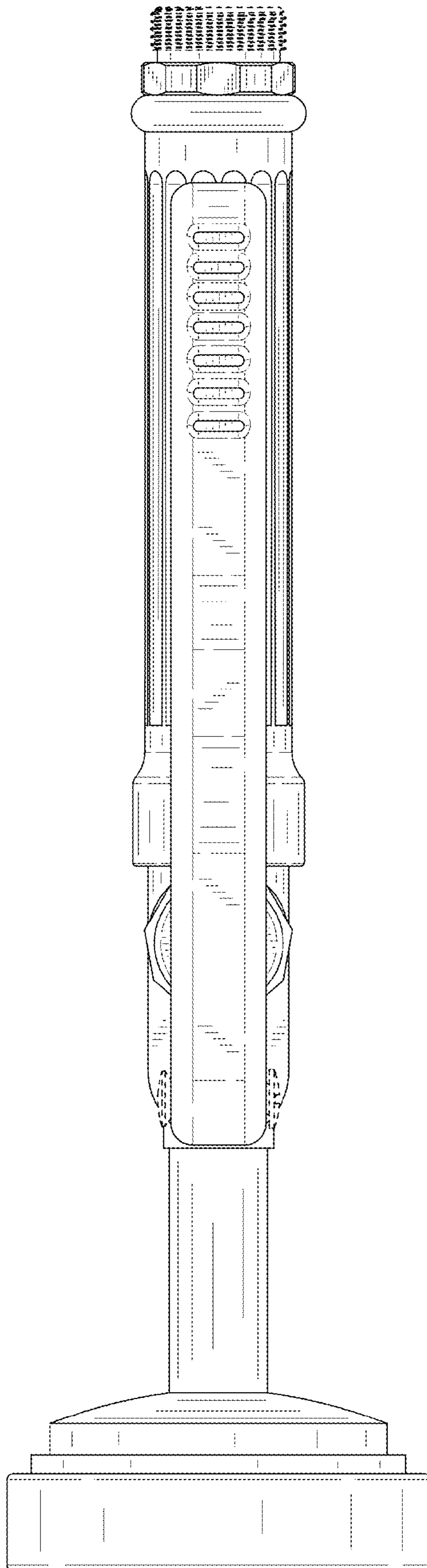


FIG. 8

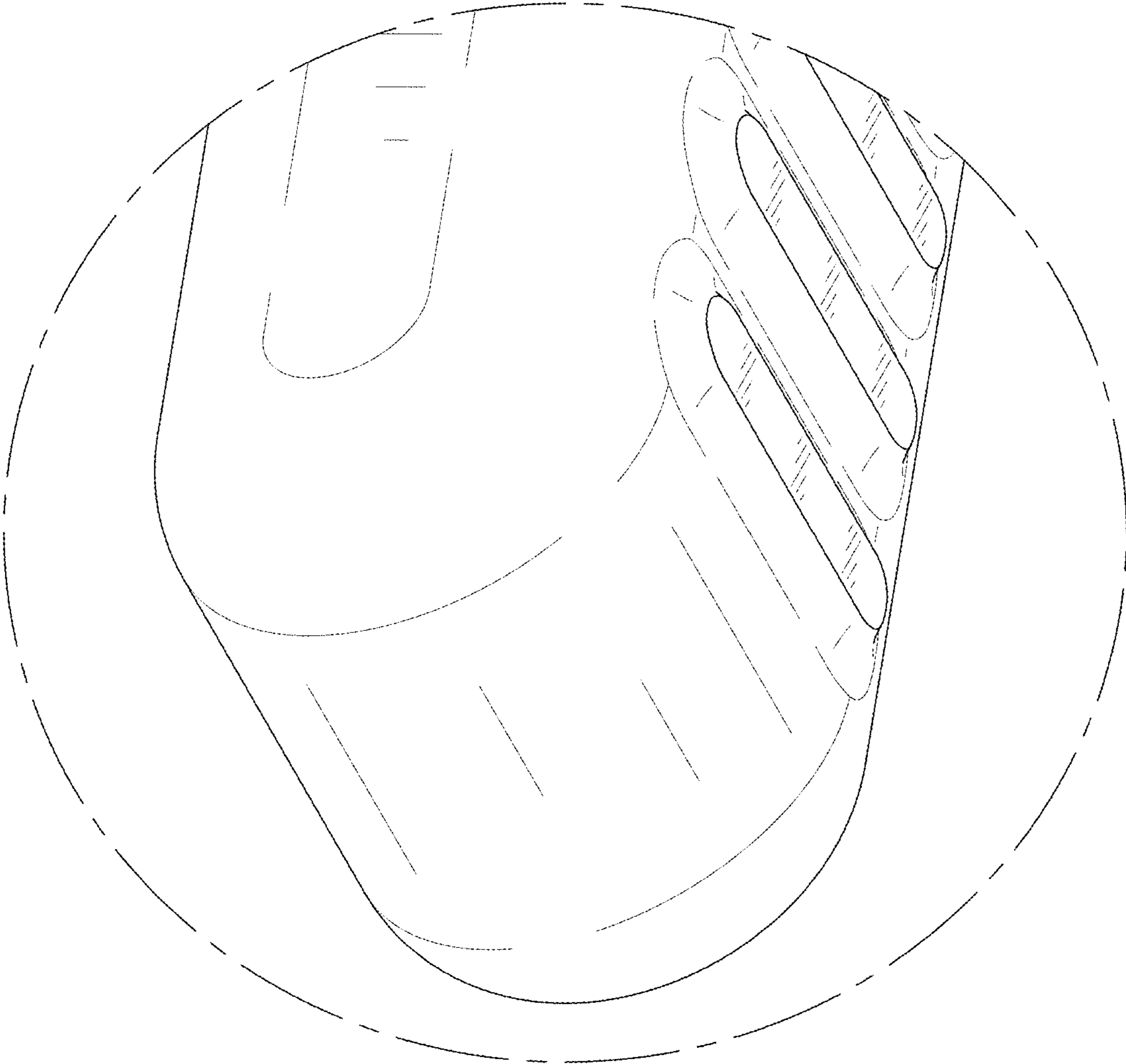


FIG. 9