



US00D951393S

(12) **United States Design Patent** (10) **Patent No.:** **US D951,393 S**
Wei (45) **Date of Patent:** **** May 10, 2022**

(54) **WATER FILTER**
(71) Applicant: **Tianjin Yunda Industry and Trade Co., Ltd., Tianjin (CN)**
(72) Inventor: **Enyu Wei, Tianjin (CN)**
(73) Assignee: **TIANJIN YUNDA INDUSTRY AND TRADE CO., LTD., Tianjin (CN)**

D832,394 S * 10/2018 Sutton D23/209
D840,502 S * 2/2019 MacDonald D23/209
D847,300 S * 4/2019 Graham D23/209
10,584,040 B2 * 3/2020 Campbell C02F 1/003
10,639,570 B2 * 5/2020 You B01D 35/306
10,918,982 B1 * 2/2021 Sutton B01D 29/21
2014/0319050 A1 * 10/2014 Shaffer C02F 1/003
210/493.5

(Continued)

(**) Term: **15 Years**
(21) Appl. No.: **29/715,714**
(22) Filed: **Dec. 4, 2019**

(51) **LOC (13) Cl.** **23-01**
(52) **U.S. Cl.**
USPC **D23/209**
(58) **Field of Classification Search**
USPC D23/206, 207, 209, 213, 359, 365
CPC B01D 35/30; B01D 35/153; B01D 35/306;
B01D 2201/30; C02F 1/002; C02F 1/003
See application file for complete search history.

OTHER PUBLICATIONS

Culligan Water Filter 2006 found on May 13, 2021 at <https://www.amazon.com/Culligan-US-600A-Undersink-Drinking-Filtration/dp/B0002YXMG8/> (Year: 2006).*

Primary Examiner — Karen S Acker
Assistant Examiner — Jonathan E Fiencke
(74) *Attorney, Agent, or Firm* — Mei & Mark LLP

(57) **CLAIM**

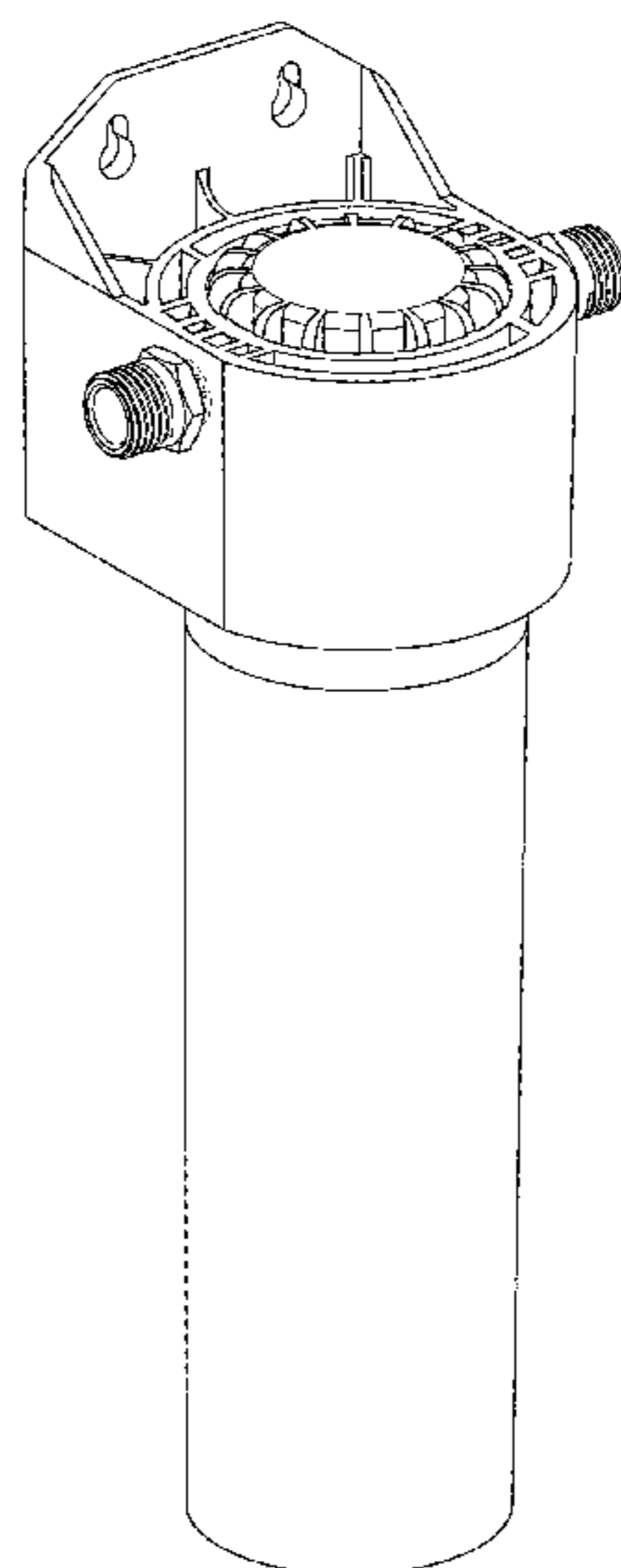
The ornamental design for a water filter, as shown and described.

DESCRIPTION

(56) **References Cited**
U.S. PATENT DOCUMENTS
D313,832 S * 1/1991 Petrucci C02F 1/003
D23/209
D317,040 S * 5/1991 Petrucci B01D 35/306
D23/209
5,919,362 A * 7/1999 Barnes B01D 27/06
210/232
D487,914 S * 3/2004 Schulze C02F 1/003
D23/209
D547,826 S * 7/2007 Kennedy B01D 35/147
D23/209
D582,002 S * 12/2008 Suthmann B01D 29/114
D23/209
D610,649 S * 2/2010 Kulikov B01D 27/06
D23/209
D698,005 S * 1/2014 Rowe D23/209
D722,132 S * 2/2015 Foohey D23/209
D786,399 S * 5/2017 Brixius D23/209

FIG. 1 is a perspective view of a water filter according the present invention;
FIG. 2 is a front view thereof
FIG. 3 is a rear view thereof;
FIG. 4 is a right view thereof;
FIG. 5 is a left view thereof;
FIG. 6 is a top view thereof; and,
FIG. 7 is a bottom view thereof.
The broken lines in FIGS. 1 and 3-5 depict portions of the water filter that form no part of the claimed design. The broken lines and areas within and adjacent to solid lines depict portions of the water filter that form no part of the claimed design. The dot dash dot broken line in FIG. 7 denotes the boundaries of the claim and forms no part thereof.

1 Claim, 5 Drawing Sheets



(56)

References Cited

U.S. PATENT DOCUMENTS

2015/0182894 A1* 7/2015 Shaffer B01D 35/147
210/238
2019/0209952 A1* 7/2019 Prince B01D 29/114

* cited by examiner

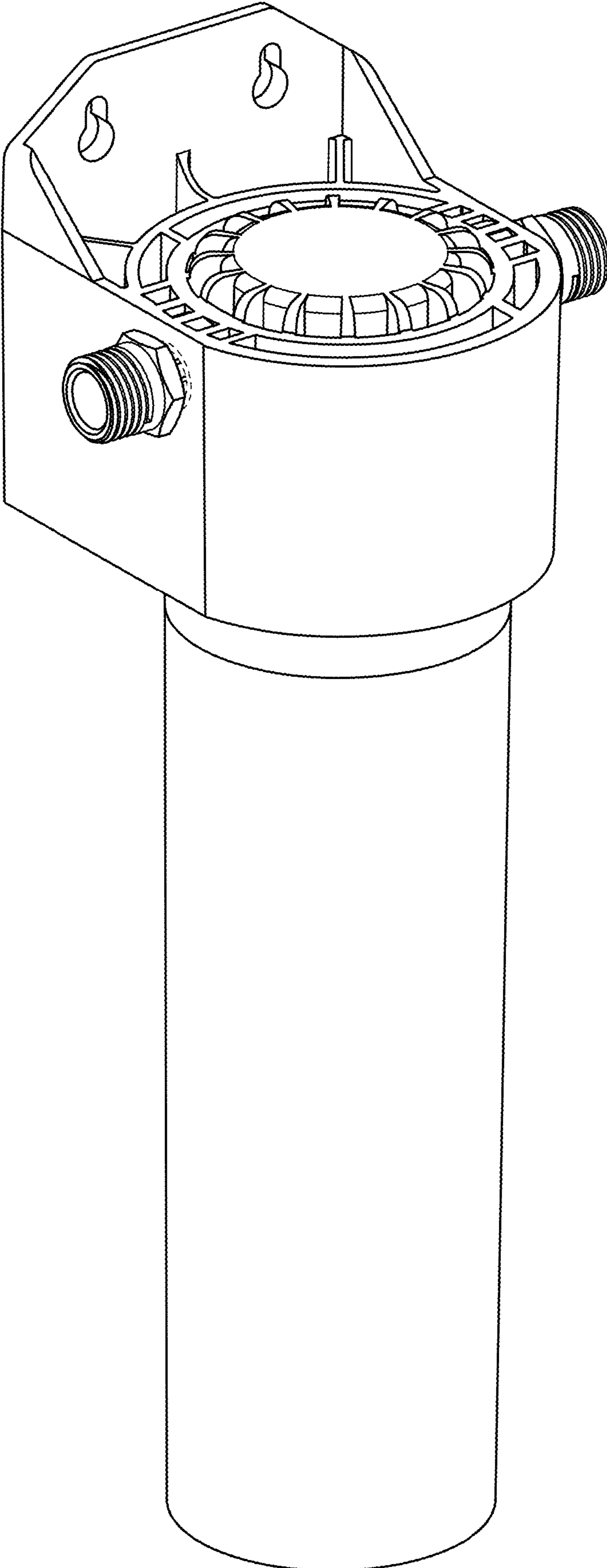


FIG. 1

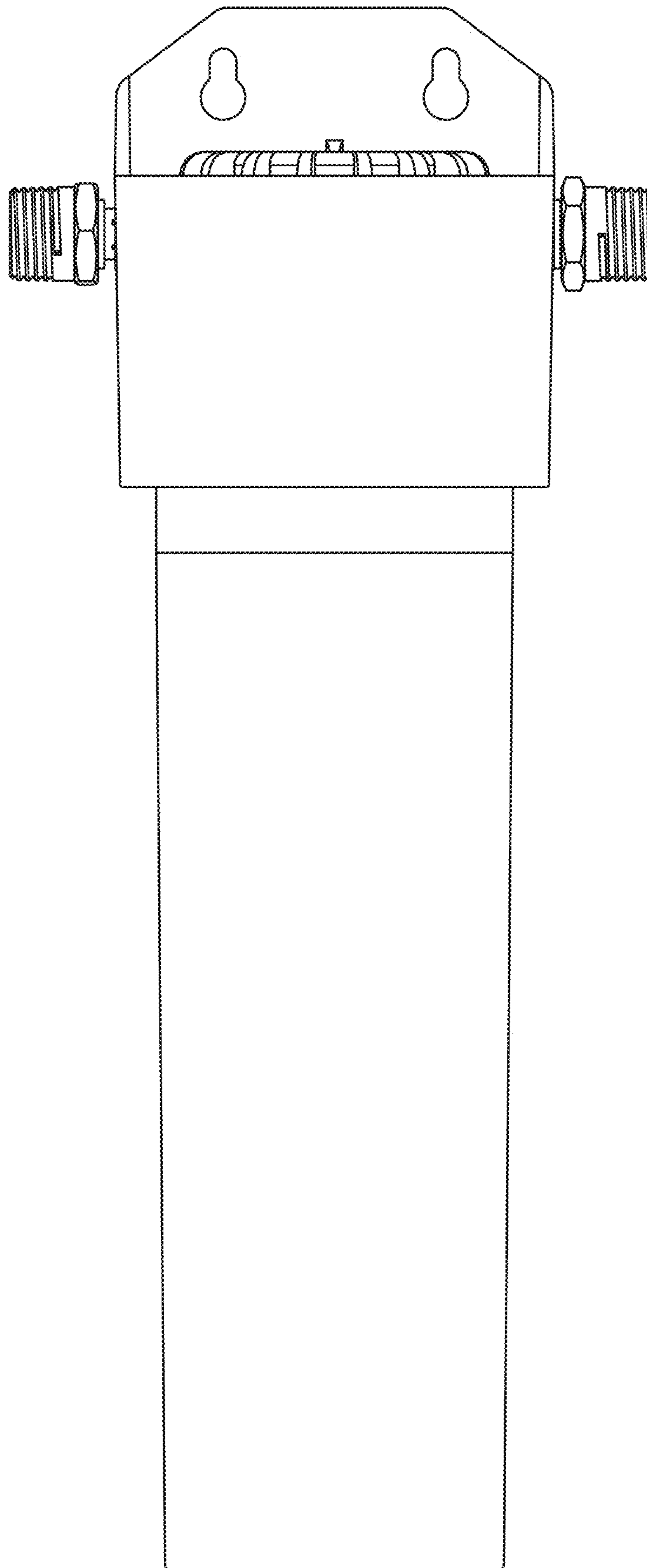


FIG. 2

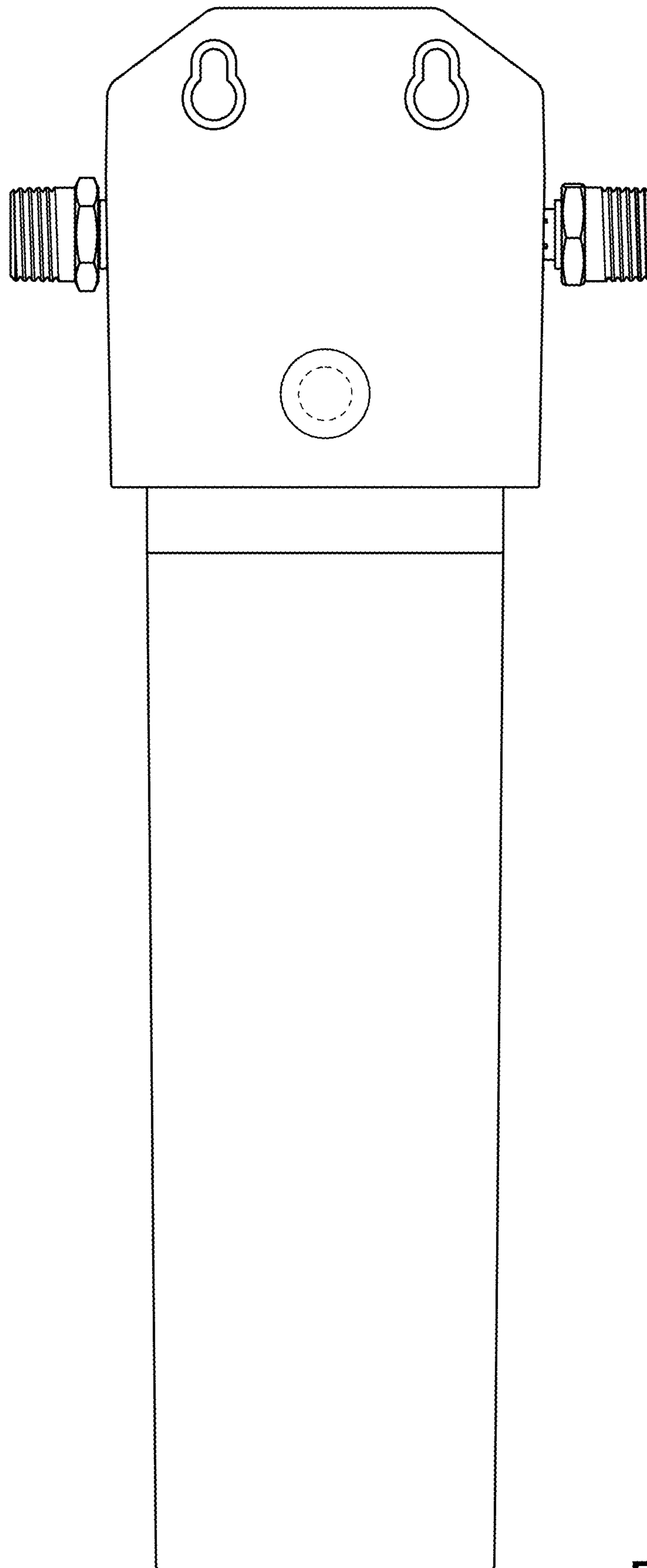


FIG. 3

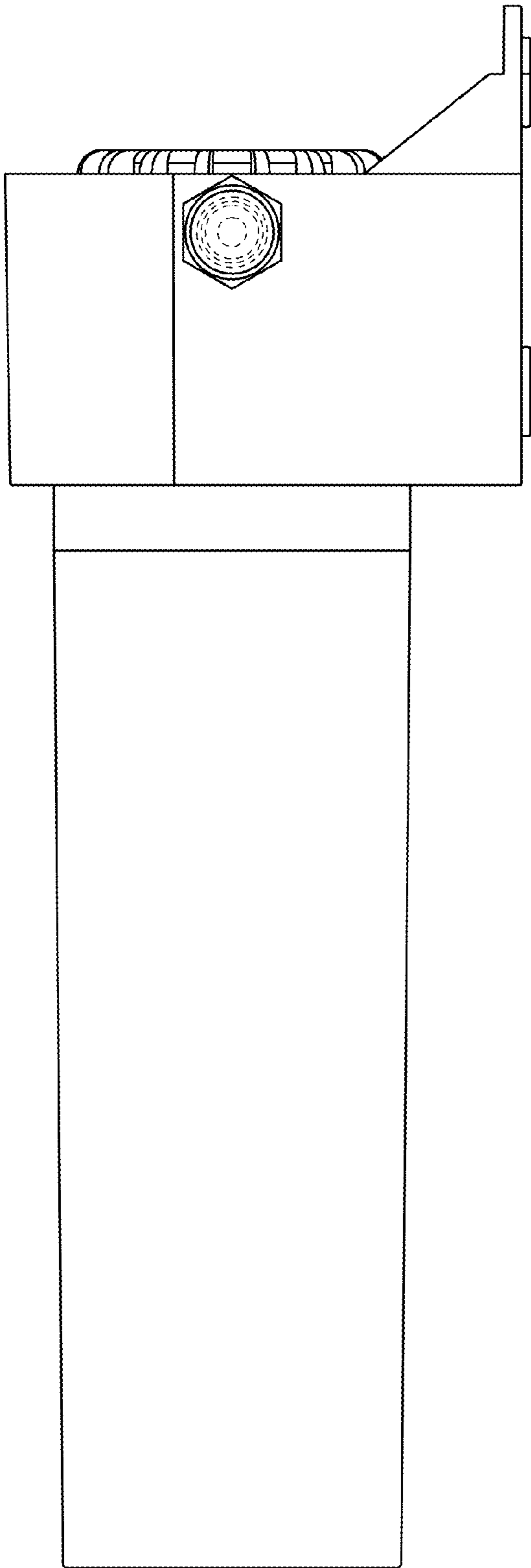


FIG. 4

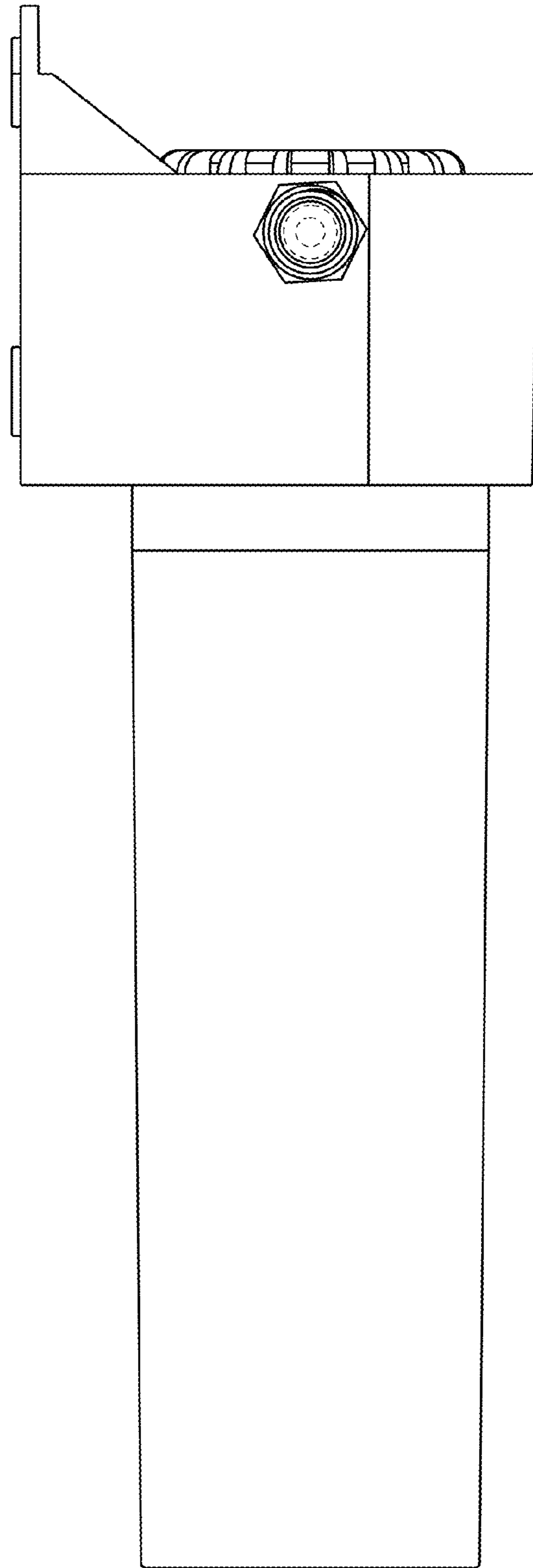


FIG. 5

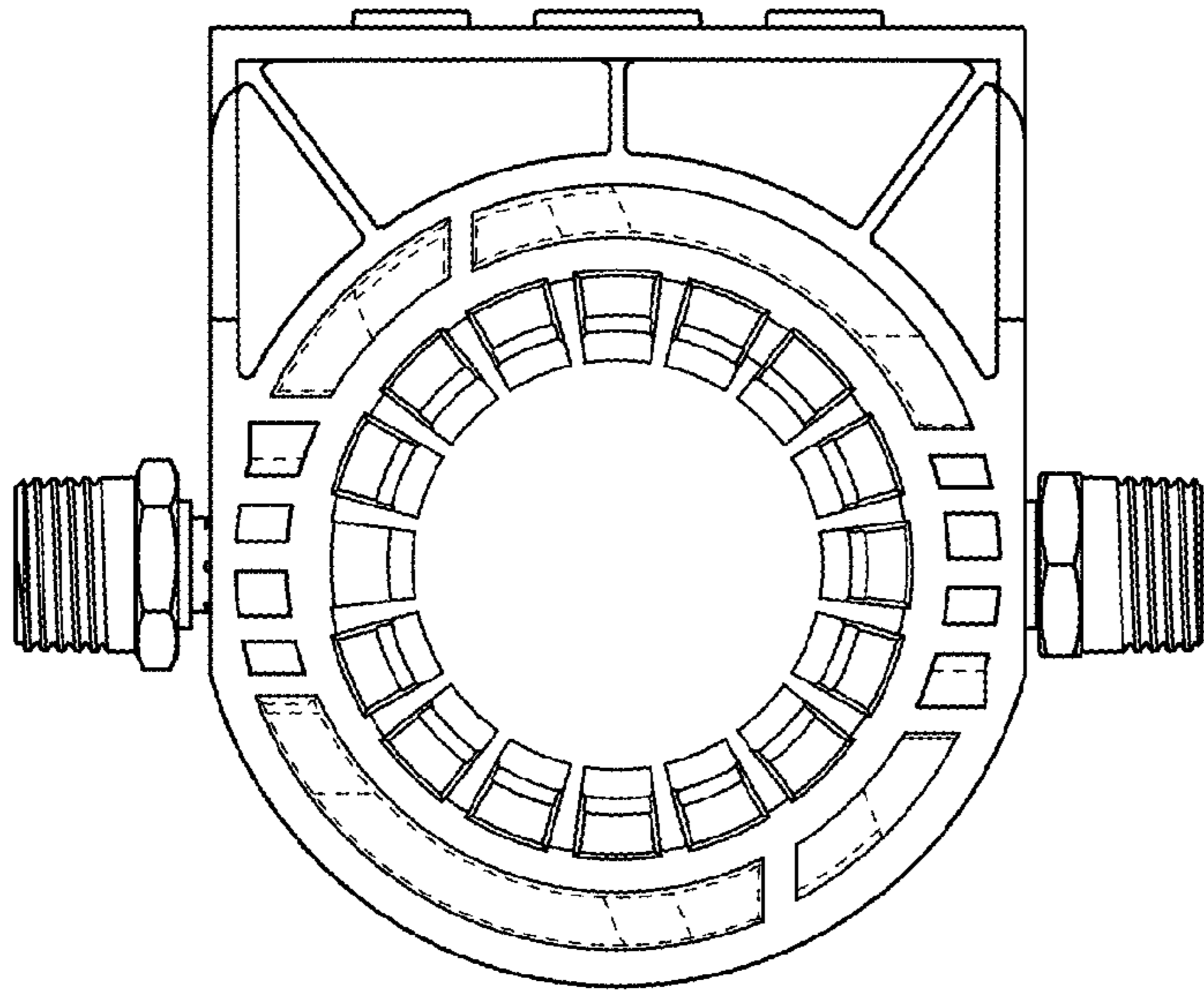


FIG. 6

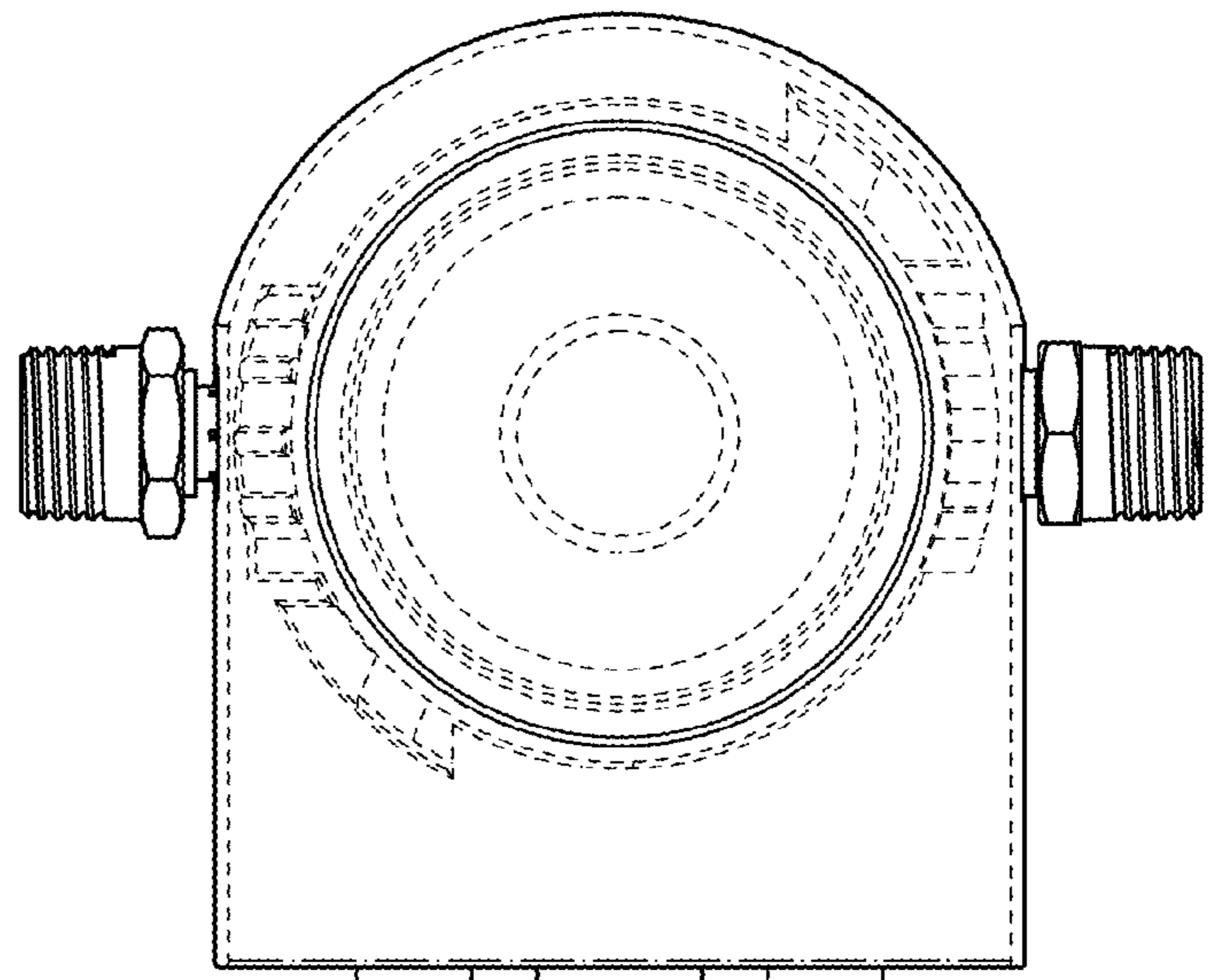


FIG. 7