



US00D951391S

(12) **United States Design Patent**
Brieschke

(10) **Patent No.:** **US D951,391 S**

(45) **Date of Patent:** **** May 10, 2022**

(54) **PORTABLE WATER FILLING KIT**

(71) Applicant: **Mark A. Brieschke**, Ida, MI (US)

(72) Inventor: **Mark A. Brieschke**, Ida, MI (US)

(**) Term: **15 Years**

(21) Appl. No.: **29/768,228**

(22) Filed: **Jan. 28, 2021**

Related U.S. Application Data

(63) Continuation of application No. 16/286,681, filed on Feb. 27, 2019, now abandoned.

(51) **LOC (13) Cl.** **23-01**

(52) **U.S. Cl.**

USPC **D23/207**

(58) **Field of Classification Search**

USPC D23/207–209, 365; D10/81; D24/1.1, 8, D24/17; D9/345, 347, 423, 424
CPC A62C 37/12; A62C 35/68; B65G 64/04; B65G 1/00; B65D 85/00; B65D 1/00; B65D 88/54; C02F 1/003; C02F 1/283; C02F 9/005; A01K 63/045; B05B 7/2416; B05B 7/2483

See application file for complete search history.

(56) **References Cited**

U.S. PATENT DOCUMENTS

D273,987	S	*	5/1984	Holen	D9/423
D288,115	S	*	2/1987	McCausland	D23/207
D293,367	S	*	12/1987	Spink	D23/207
D545,394	S	*	6/2007	Duplessis	D23/207
D780,885	S	*	3/2017	Crawford	D23/207
D789,484	S	*	6/2017	Yoon	D23/207
D932,585	S	*	10/2021	Lebel	D23/207
D941,955	S	*	1/2022	Ma	D23/207
D942,645	S	*	2/2022	Kang	D24/227

D945,202	S	*	3/2022	de Jesus Estima	D23/207
2020/0024174	A1	*	1/2020	Swanson	B01D 29/11
2020/0255300	A1	*	8/2020	Murrell	C02F 1/002
2020/0361790	A1	*	11/2020	Bech	C02F 1/325
2022/0055828	A1	*	2/2022	Holden	B65D 88/022

OTHER PUBLICATIONS

HbrewO BrewRo System—City Water (Portable Water Filter), Jul. 2, 2018, amazon.ca, Feb. 11, 2022, URL: <https://www.amazon.ca/HbrewO-BrewRo-System-Portable-Filter/dp/B07DP567PS/> (Year: 2018).*

JIFETOR Cooling System Vacuum Purge Radiator Coolant Refill Tool Kit, Aug. 27, 2020, amazon.ca, Feb. 11, 2022, URL: <https://www.amazon.ca/JIFETOR-Radiator-Automotive-Pneumatic-Antifreeze/dp/B08BG13XHM/> (Year: 2020).*

(Continued)

Primary Examiner — Keith J Wilson

(74) *Attorney, Agent, or Firm* — Charles F. Charpie

(57) **CLAIM**

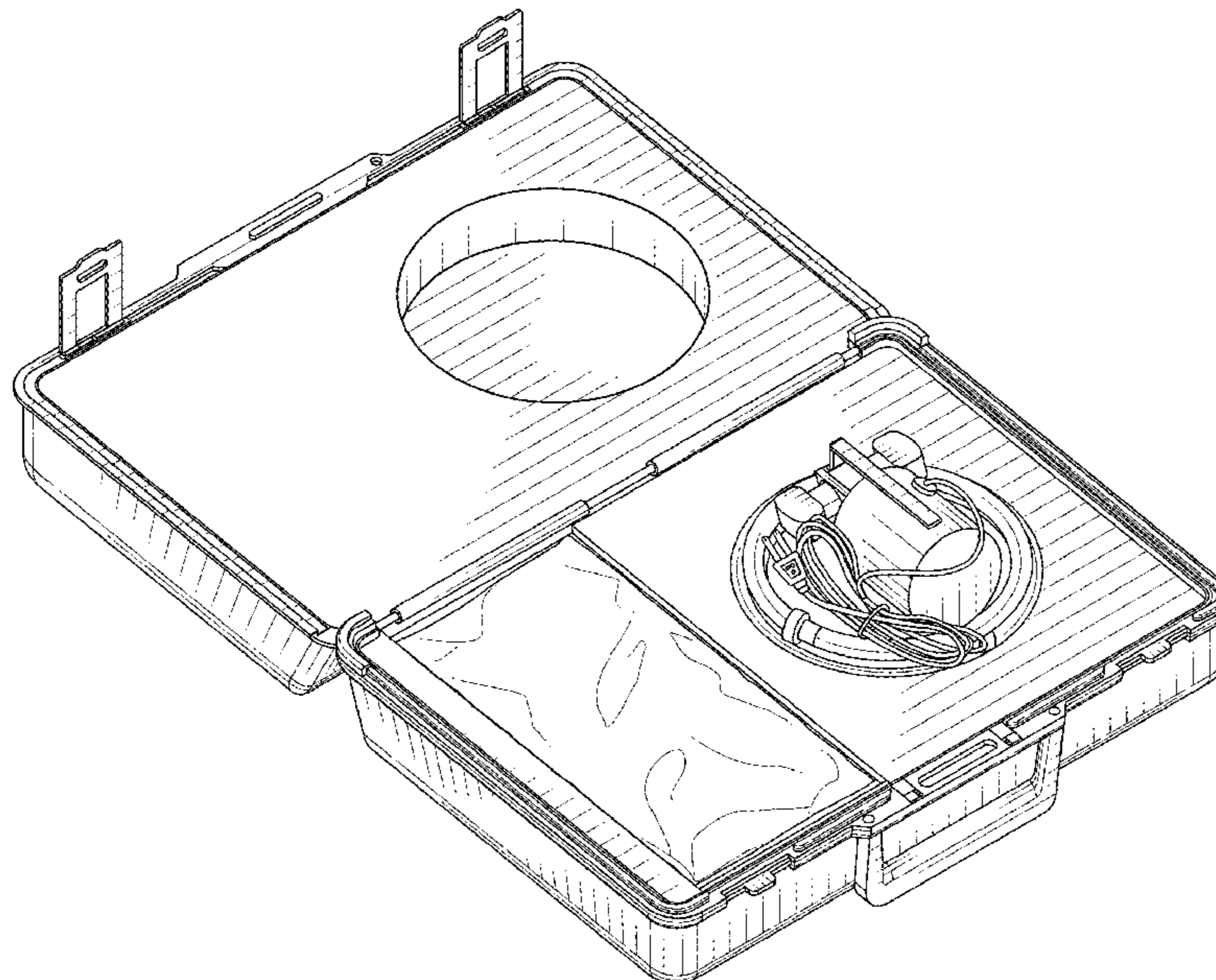
The ornamental design for a portable water filling kit, as shown and described.

DESCRIPTION

FIG. 1 is a side perspective view of a portable water filling kit showing the claimed new design; FIG. 2 is a top view thereof; FIG. 3 is a bottom view thereof; FIG. 4 is a side view thereof; FIG. 5 is another side view thereof; FIG. 6 is a rear view thereof; FIG. 7 is a front view thereof; and, FIG. 8 is an exploded view thereof.

The broken lines in the figures show portions of the portable water filling kit which form no part of the claimed design. The shade lines in the figures show contour and not surface ornamentation.

1 Claim, 6 Drawing Sheets



(56)

References Cited

OTHER PUBLICATIONS

2401 Pro Products Water Test Kit, Aug. 1, 2018, discountfilterstore.com, Feb. 11, 2022, URL: <https://www.discountfilterstore.com/2401-pro-products-water-test-kit.html> (Year: 2018).*

Keenso Car Radiator Coolant System Vacuum Purge & Coolant Refill Tool Kit Water Antifreeze Changer, Mar. 7, 2019, amazon.ca, Mar. 10, 2022, URL: <https://www.amazon.ca/Keenso-Radiator-Coolant-Antifreeze-Changer/dp/B07PDS2DQW> (Year: 2019).*

Baskiry 1 Set PH Chlorine Water Quality Test Kit Hydrotool Testing Kit, Jun. 3, 2019, amazon.ca, Mar. 10, 2022, URL: <https://www.amazon.ca/baskiry-Chlorine-Hydrotool-Accessories-Swimming/dp/B07RPSDFT4/> (Year: 2019).*

* cited by examiner

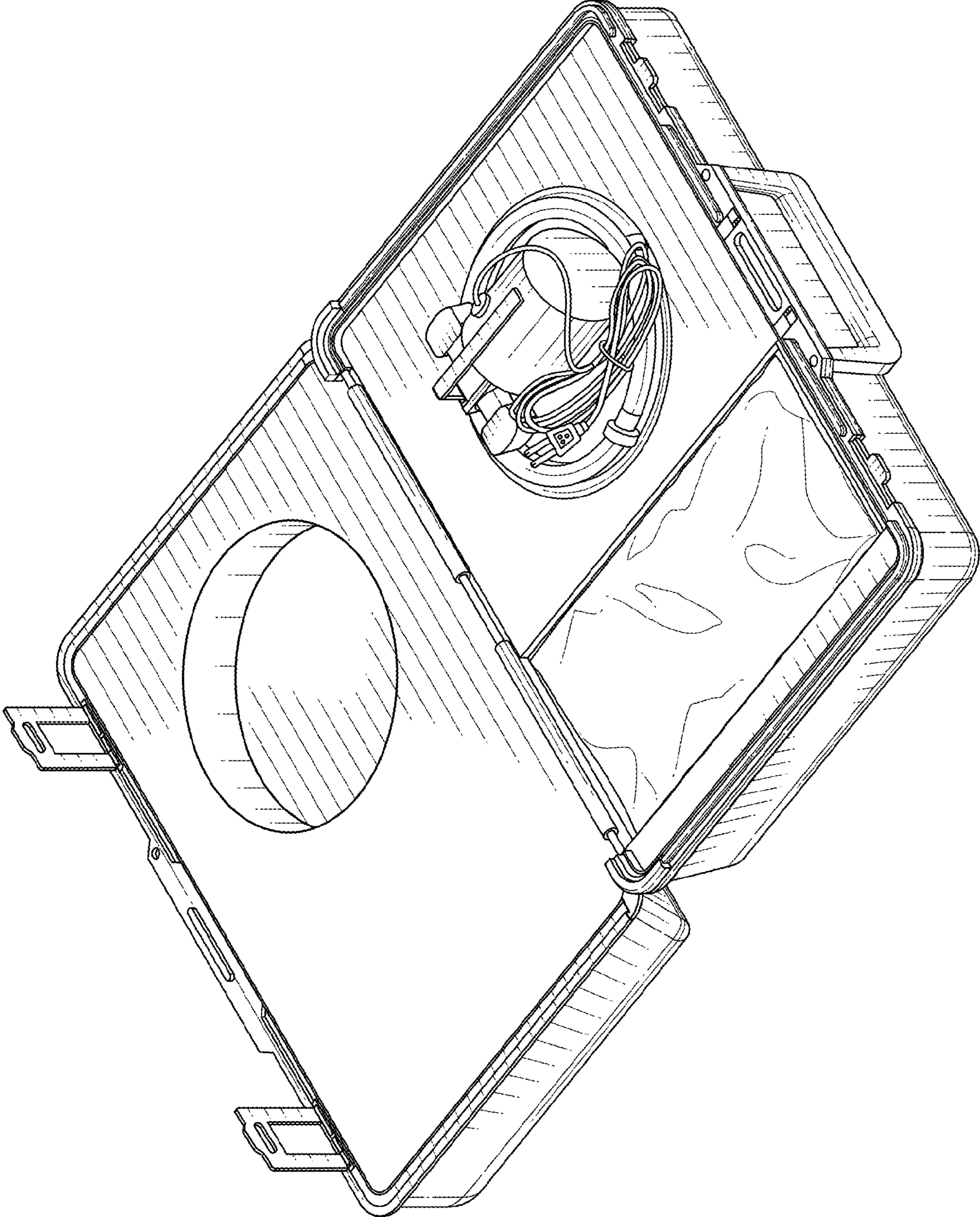


FIG. 1

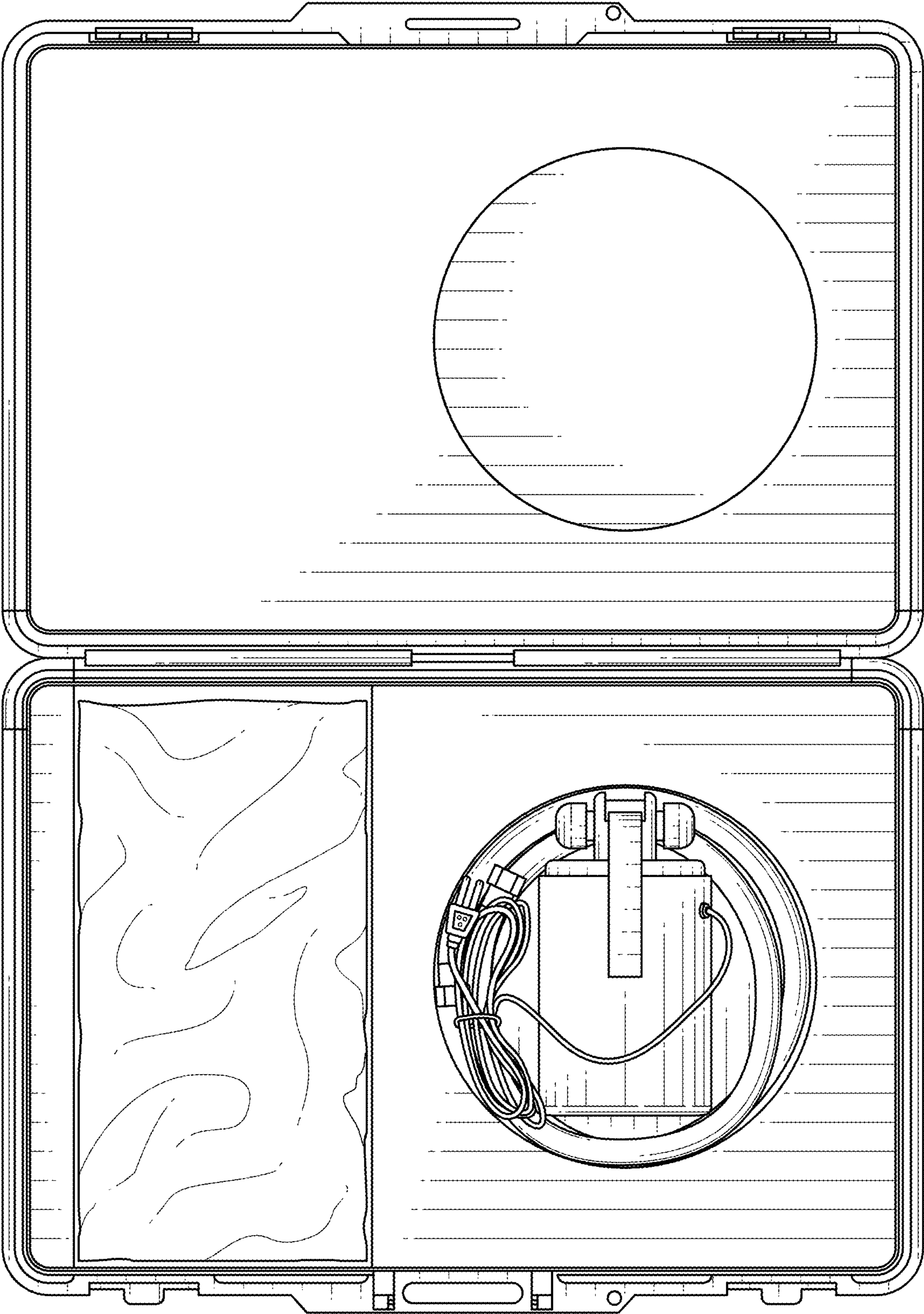


FIG. 2

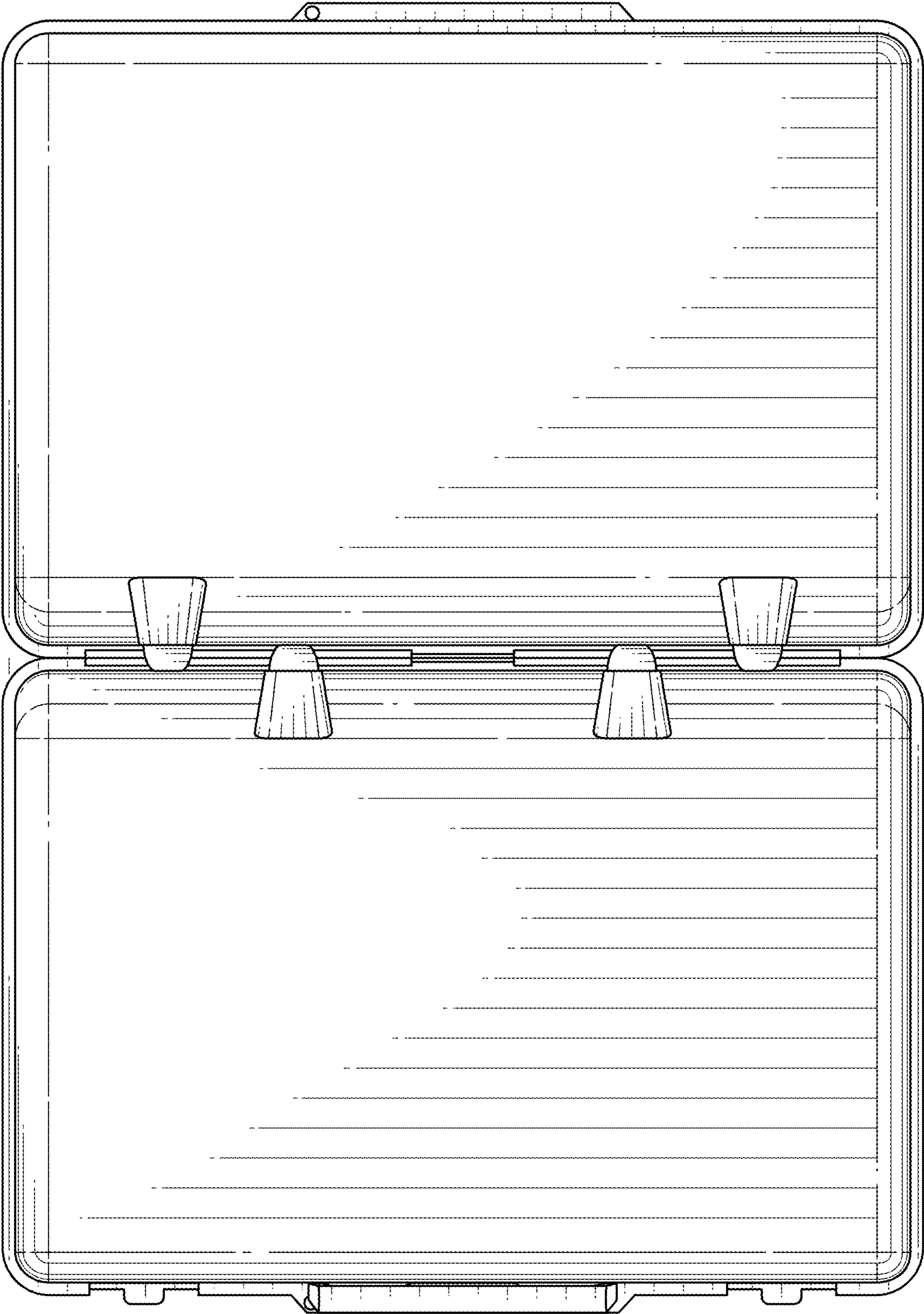


FIG. 3

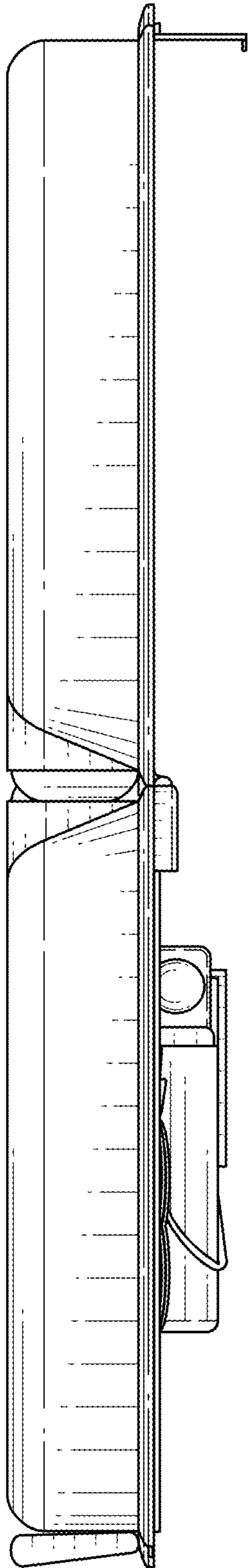


FIG. 4

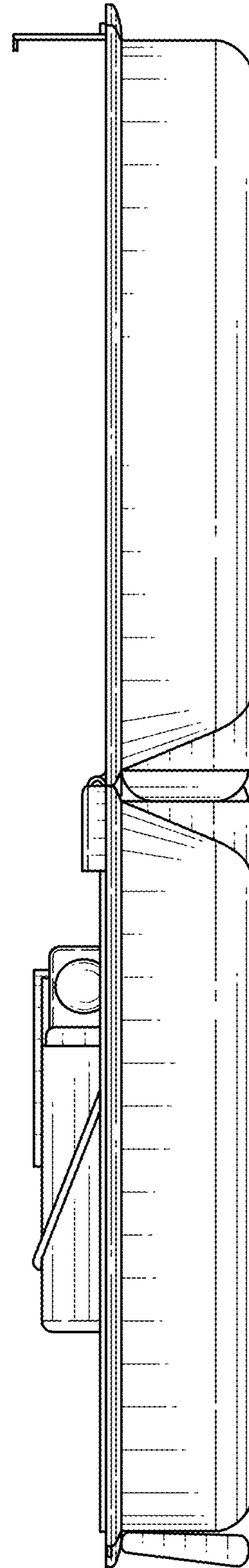


FIG. 5

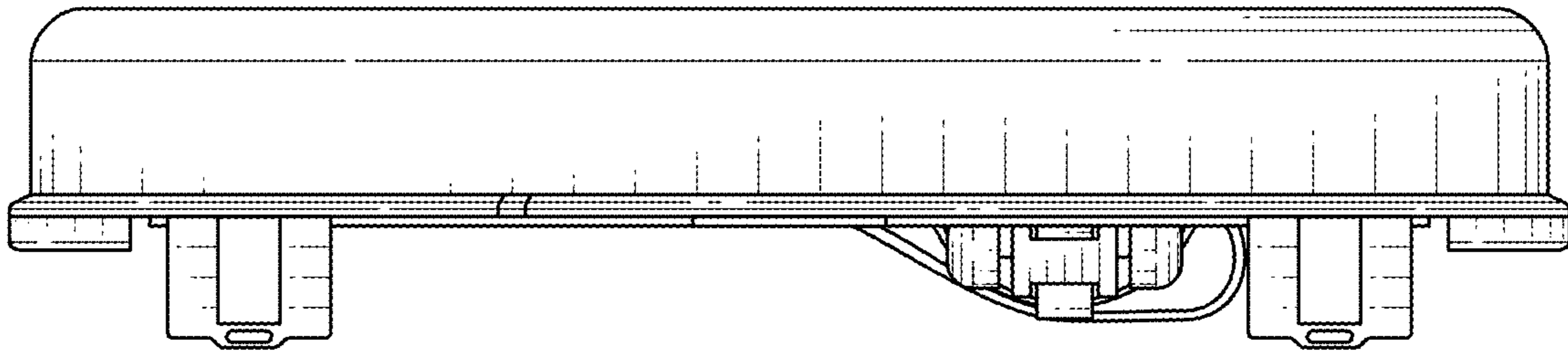


FIG. 6

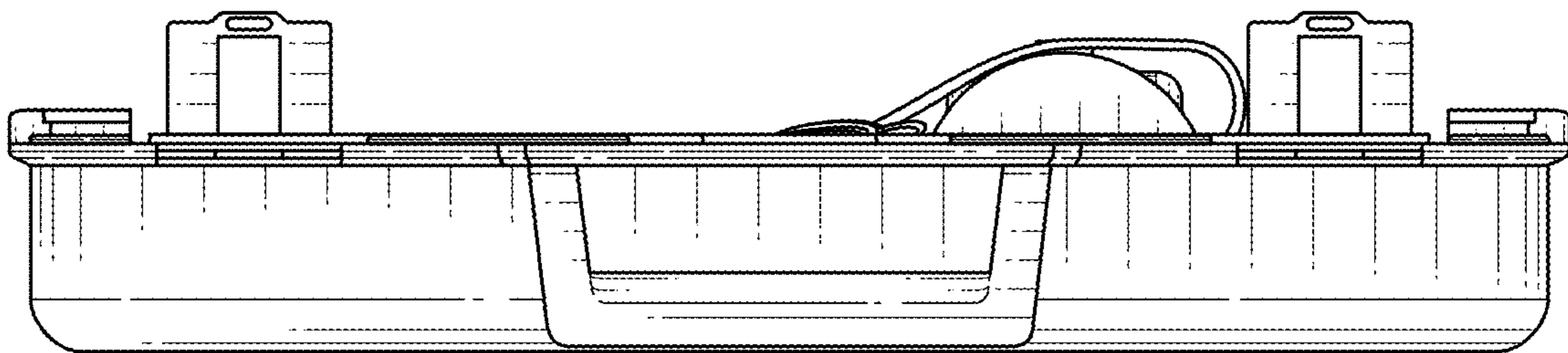


FIG. 7

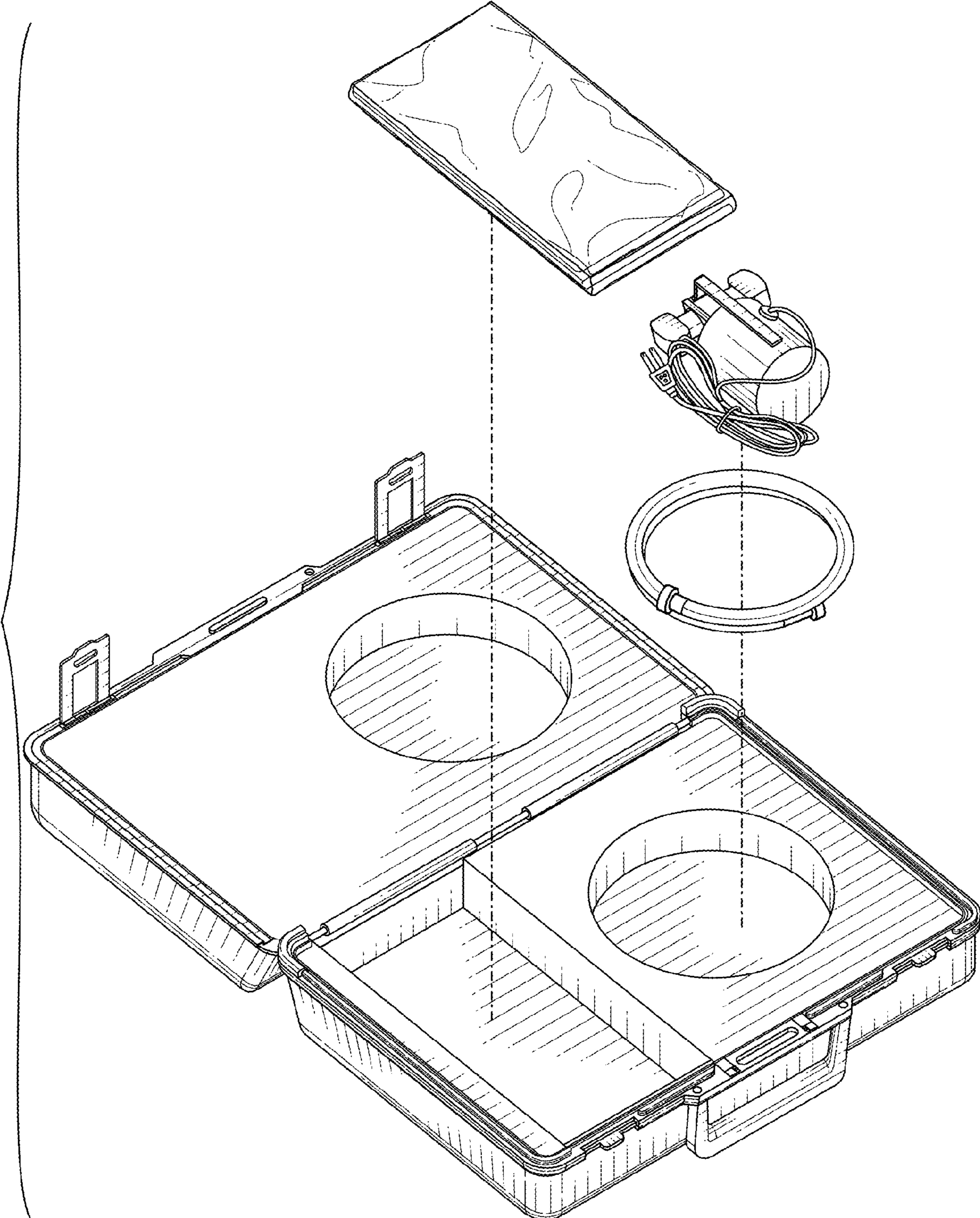


FIG. 8