



US00D951390S

(12) **United States Design Patent** (10) **Patent No.:** **US D951,390 S**
Shin (45) **Date of Patent:** **** May 10, 2022**

(54) **WATER PURIFIER**

(71) Applicant: **Coway Co., Ltd.**,
Choongcheongnam-do (KR)

(72) Inventor: **Karam Shin**, Seoul (KR)

(73) Assignee: **COWAY CO., LTD.**,
Choongcheongnam-do (KR)

(**) Term: **15 Years**

(21) Appl. No.: **29/735,510**

(22) Filed: **May 21, 2020**

(51) **LOC (13) Cl.** **23-01**

(52) **U.S. Cl.**
USPC **D23/207**

(58) **Field of Classification Search**
USPC D7/300, 302-322; D23/201, 207, 209,
D23/271-279, 284-286, 301, 308
CPC .. A01K 7/00; A01K 7/025; A47J 31/00; A47J
31/007; A47J 31/40; A47J 31/44; A47J
31/4425; A47J 31/46; B67D 1/0003;
B67D 1/0004; B67D 1/0009; B67D 1/06;
B67D 1/0857; B67D 3/00; B67D 3/0003;
B67D 3/0009; B67D 3/0029

See application file for complete search history.

(56) **References Cited**

U.S. PATENT DOCUMENTS

D717,911 S * 11/2014 Moon B67D 1/0864
D23/207
D822,154 S * 7/2018 Lee D23/207

D825,243 S * 8/2018 Yoon D7/308
D842,428 S * 3/2019 Choi D23/207
D842,966 S * 3/2019 Shin D23/207
D853,169 S * 7/2019 Choi D7/307
D853,772 S * 7/2019 Park D7/307
D891,845 S * 8/2020 Rummel D7/306
D926,285 S * 7/2021 Park D23/207
2012/0222999 A1 * 9/2012 Ha C02F 1/008
210/175
2018/0016128 A1 * 1/2018 Park B67D 1/0864
2018/0016129 A1 * 1/2018 Park B67D 1/0864
2018/0029899 A1 * 2/2018 Park C02F 9/005

* cited by examiner

Primary Examiner — Karen S Acker

Assistant Examiner — Jonathan E Fiencke

(74) *Attorney, Agent, or Firm* — Millen, White, Zelano &
Branigan, P.C.; William Nixon

(57) **CLAIM**

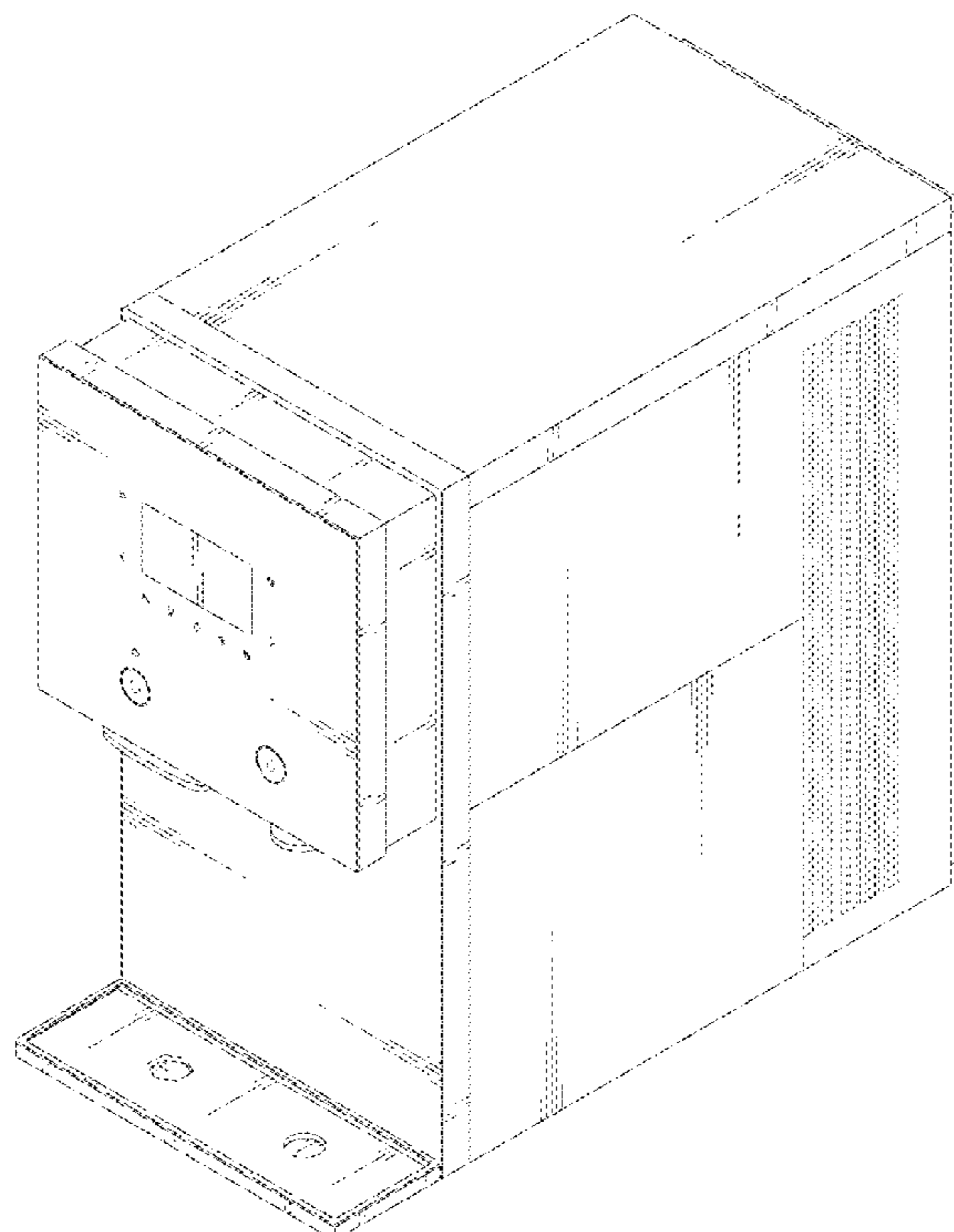
The ornamental design for a water purifier, as shown and described.

DESCRIPTION

FIG. 1 is a front perspective view of a water purifier showing my new design;
FIG. 2 is a front elevational view thereof;
FIG. 3 is a rear elevational view thereof;
FIG. 4 is a left side elevational view thereof;
FIG. 5 is a right side elevational view thereof;
FIG. 6 is a top plan view thereof; and,
FIG. 7 is a bottom plan view thereof.

The broken lines and unshaded areas depict portions of the water purifier that form no part of the claimed design.

1 Claim, 7 Drawing Sheets



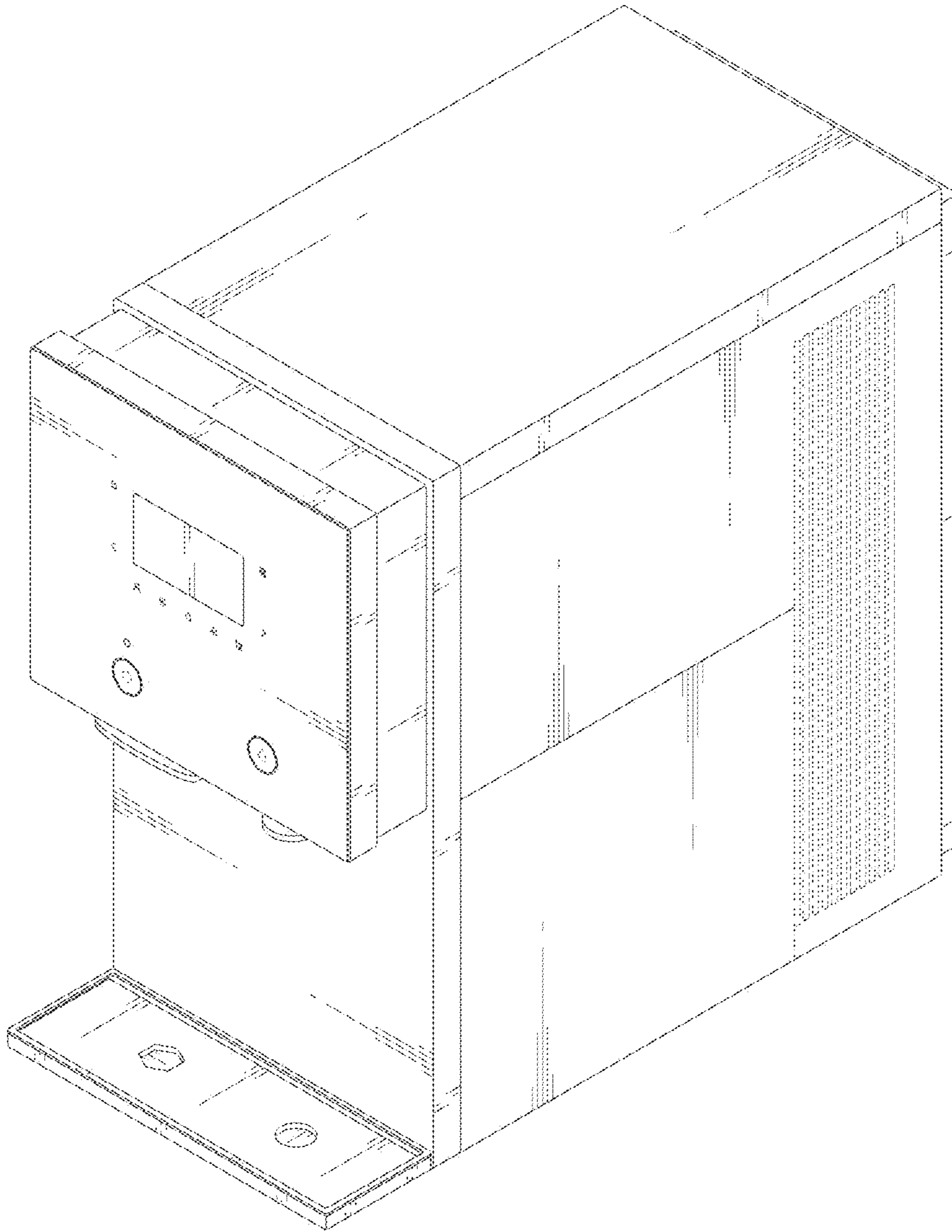


FIG. 1

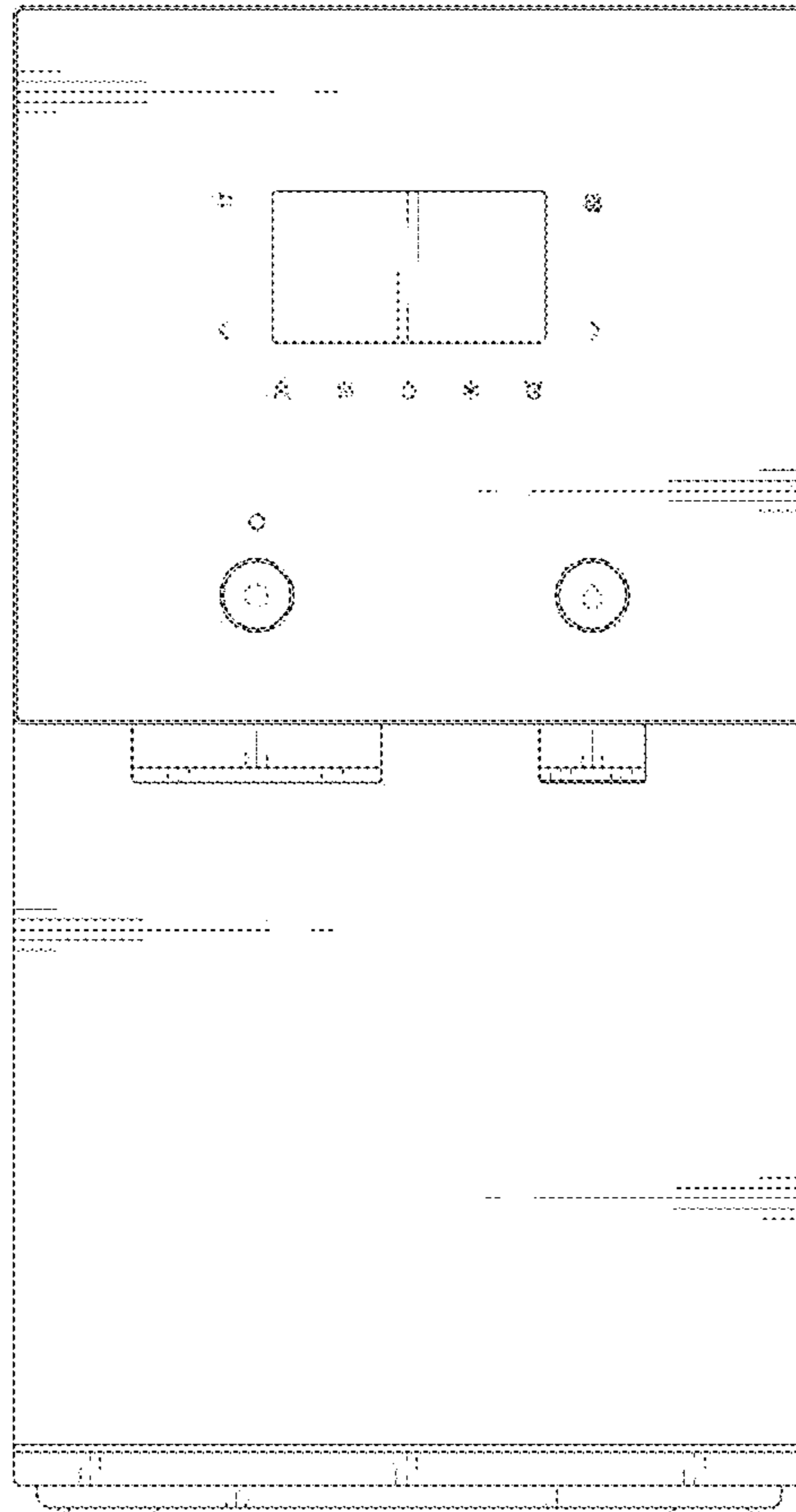


FIG. 2

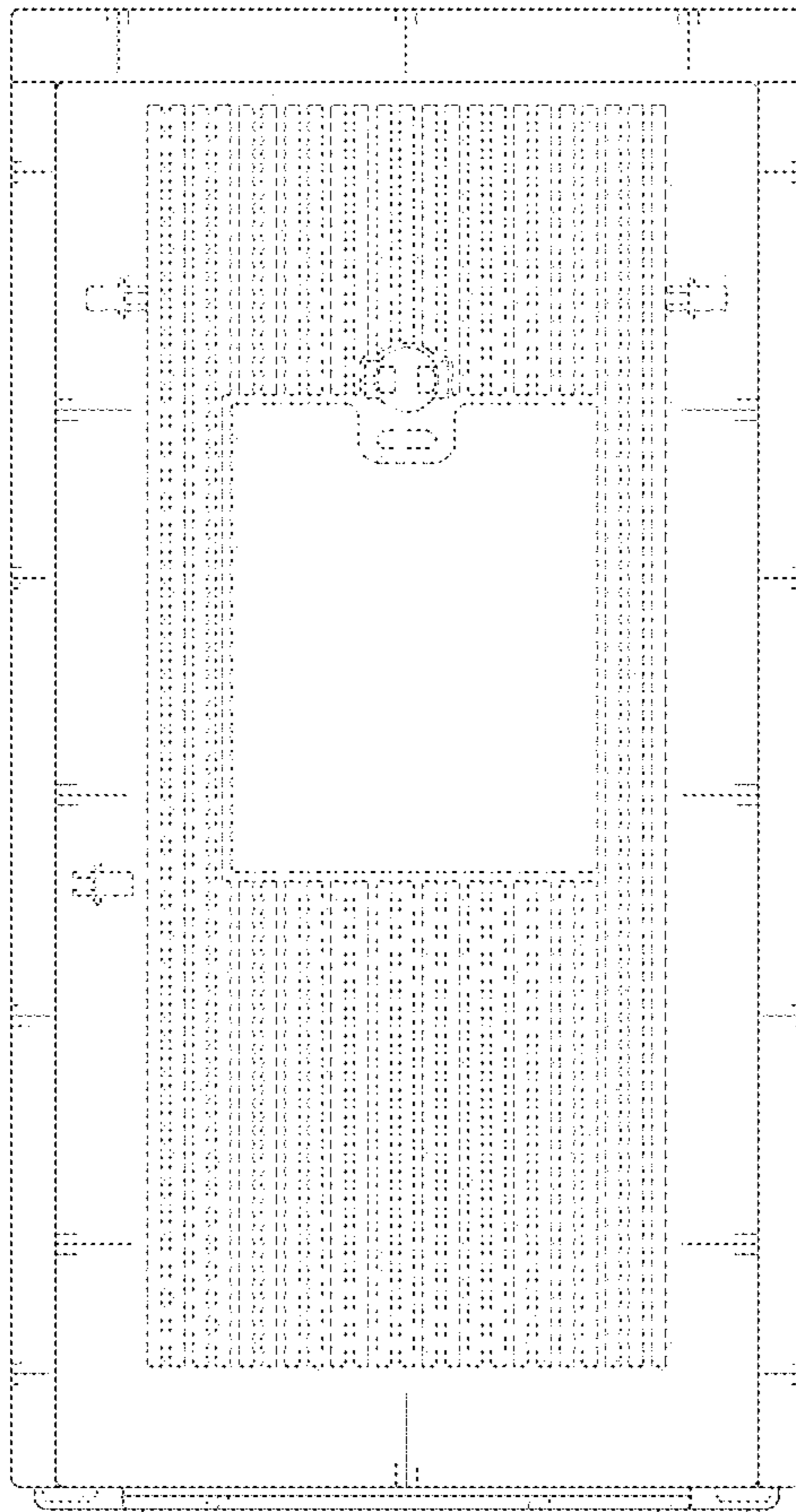


FIG. 3

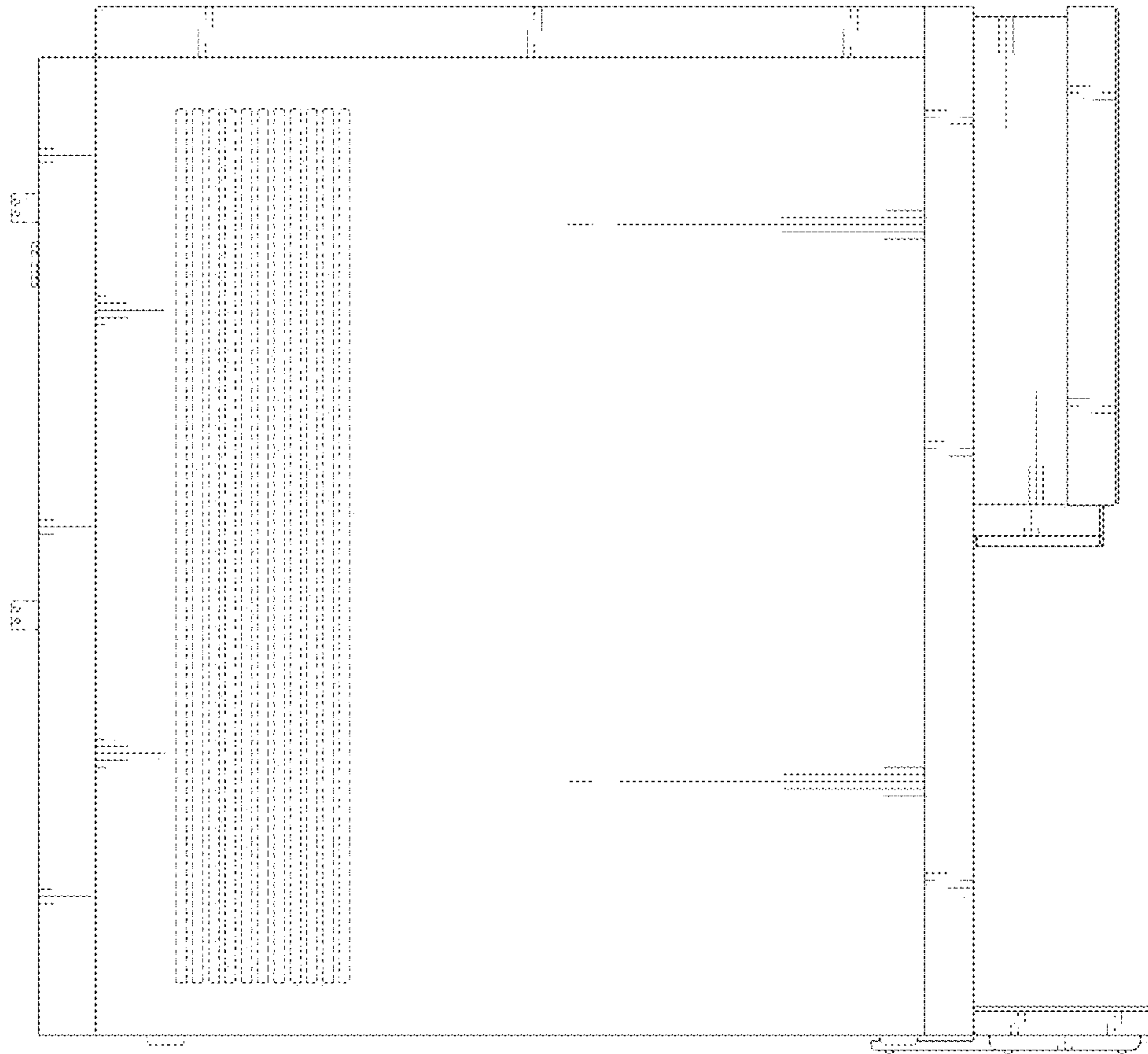


FIG. 4

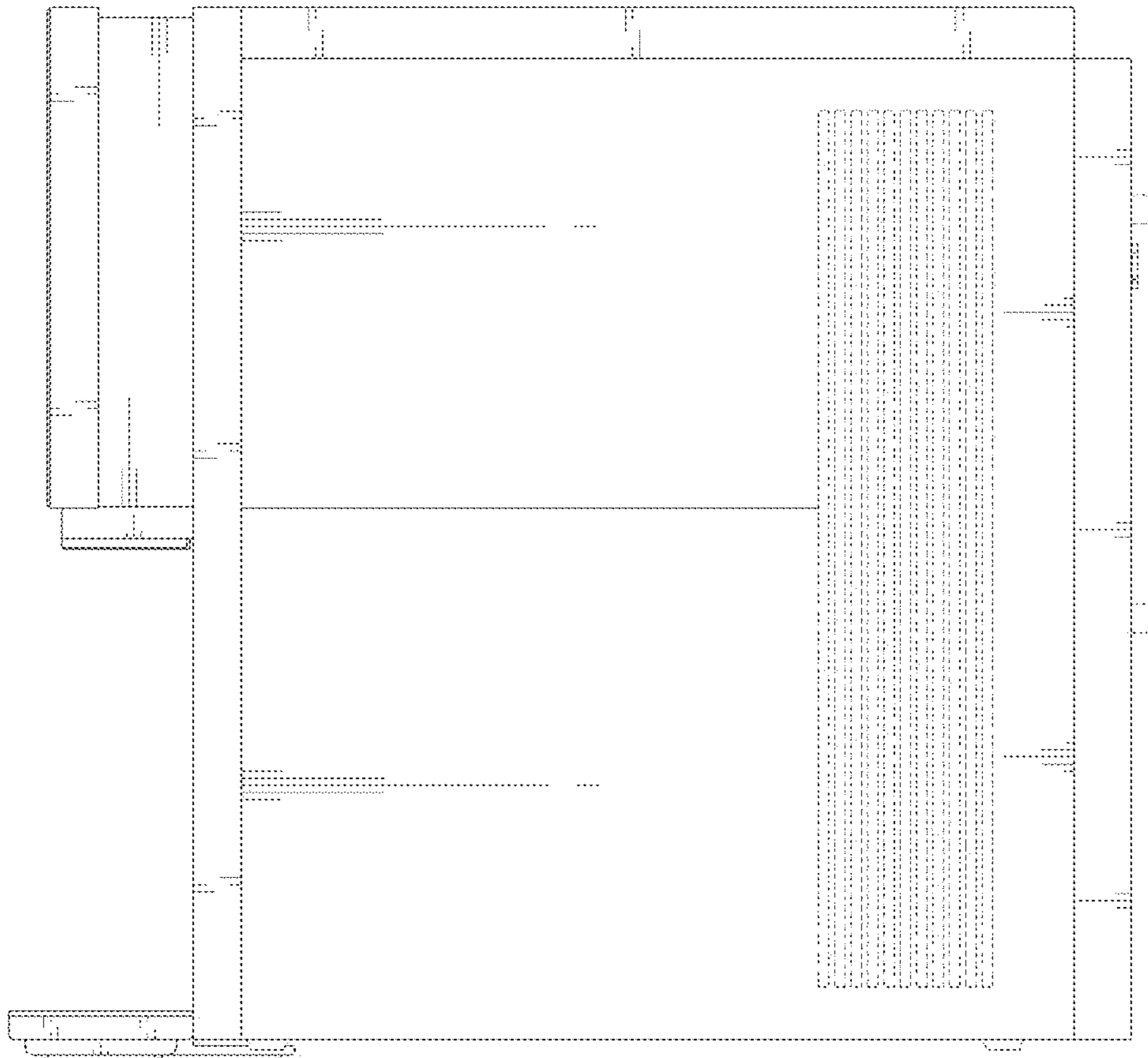


FIG. 5

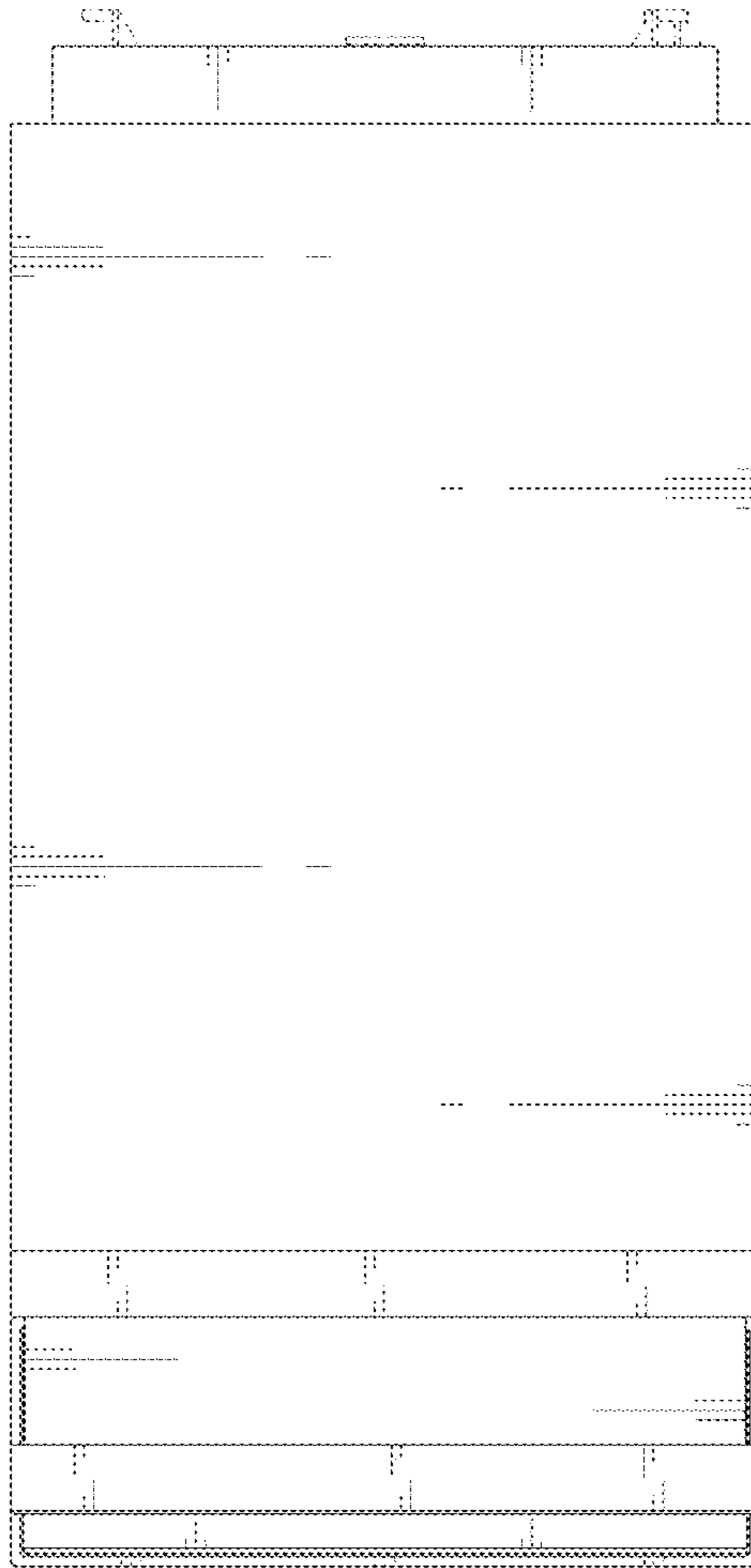


FIG. 6

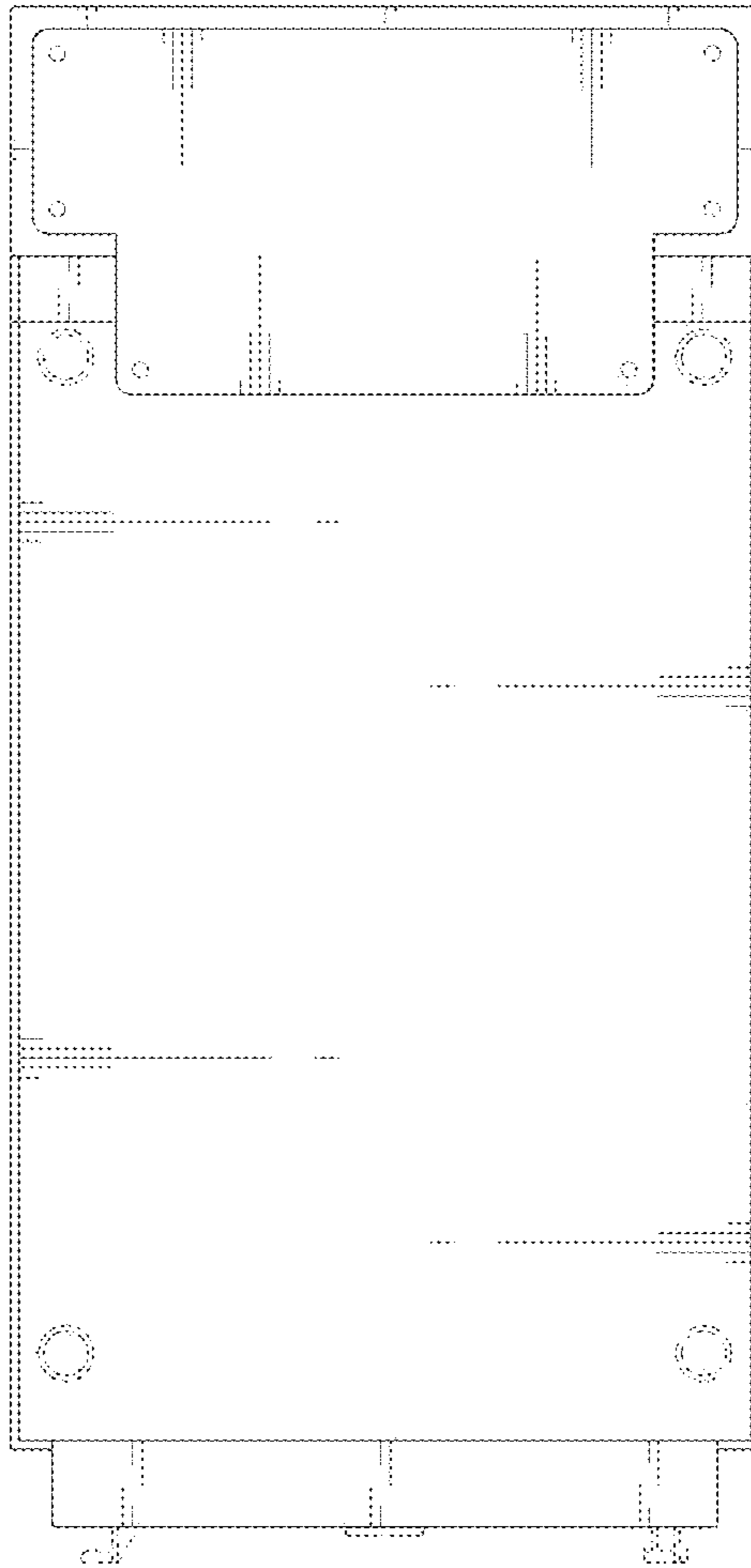


FIG. 7