



US00D951388S

(12) **United States Design Patent** (10) **Patent No.:** **US D951,388 S**  
**Xie** (45) **Date of Patent:** **\*\* May 10, 2022**

(54) **SLING MOUNT**

(71) Applicant: **Shenzhen Leiding Outdoor Equipment Trade Co., Ltd,**  
Guangdong (CN)

(72) Inventor: **Wenfei Xie,** Guangdong (CN)

(\*\*) Term: **15 Years**

(21) Appl. No.: **29/787,391**

(22) Filed: **Jun. 7, 2021**

(51) **LOC (13) Cl.** ..... **22-01**

(52) **U.S. Cl.**  
USPC ..... **D22/109**

(58) **Field of Classification Search**  
USPC ..... D22/100, 103, 108, 109, 110, 199  
CPC . F41G 11/003; F41G 1/14; F41G 1/38; F41G  
1/16; F41G 1/02; F41G 1/06; F41A  
23/005; F41C 23/16  
See application file for complete search history.

(56) **References Cited**

**U.S. PATENT DOCUMENTS**

D525,336 S *	7/2006	Esch	.....	D22/108
D556,850 S *	12/2007	Kincel	.....	F41C 23/02
				D22/108
D636,835 S *	4/2011	Fitzpatrick	.....	D22/108
D636,836 S *	4/2011	Fitzpatrick	.....	D22/108
D667,914 S *	9/2012	Storch	.....	D22/108
D669,150 S *	10/2012	Mayberry	.....	D22/108
D685,445 S *	7/2013	Pittman	.....	D22/108
D694,845 S *	12/2013	Satzinger	.....	D22/108
D697,160 S *	1/2014	Satzinger	.....	D22/108
D706,378 S *	6/2014	Fitzpatrick	.....	D22/108
D721,571 S *	1/2015	Roberts	.....	D8/367
D729,338 S *	5/2015	Mayberry	.....	D22/108
D748,753 S *	2/2016	Chow	.....	D22/108
D750,190 S *	2/2016	Pittman	.....	D22/108
D813,972 S *	3/2018	Montes	.....	D22/108
D813,973 S *	3/2018	McKillips	.....	D22/109

(Continued)

**OTHER PUBLICATIONS**

“Sling Mounts” [online]. larue.com. [Retrieved on Feb. 26, 2022]. Retrieved from the Internet: <<https://www.larue.com/category/parts-accessories/slings/sling-mounts/>>.\*

*Primary Examiner* — Mojtaba Tehrani

(74) *Attorney, Agent, or Firm* — Prakash Nama; Global IP Services, PLLC

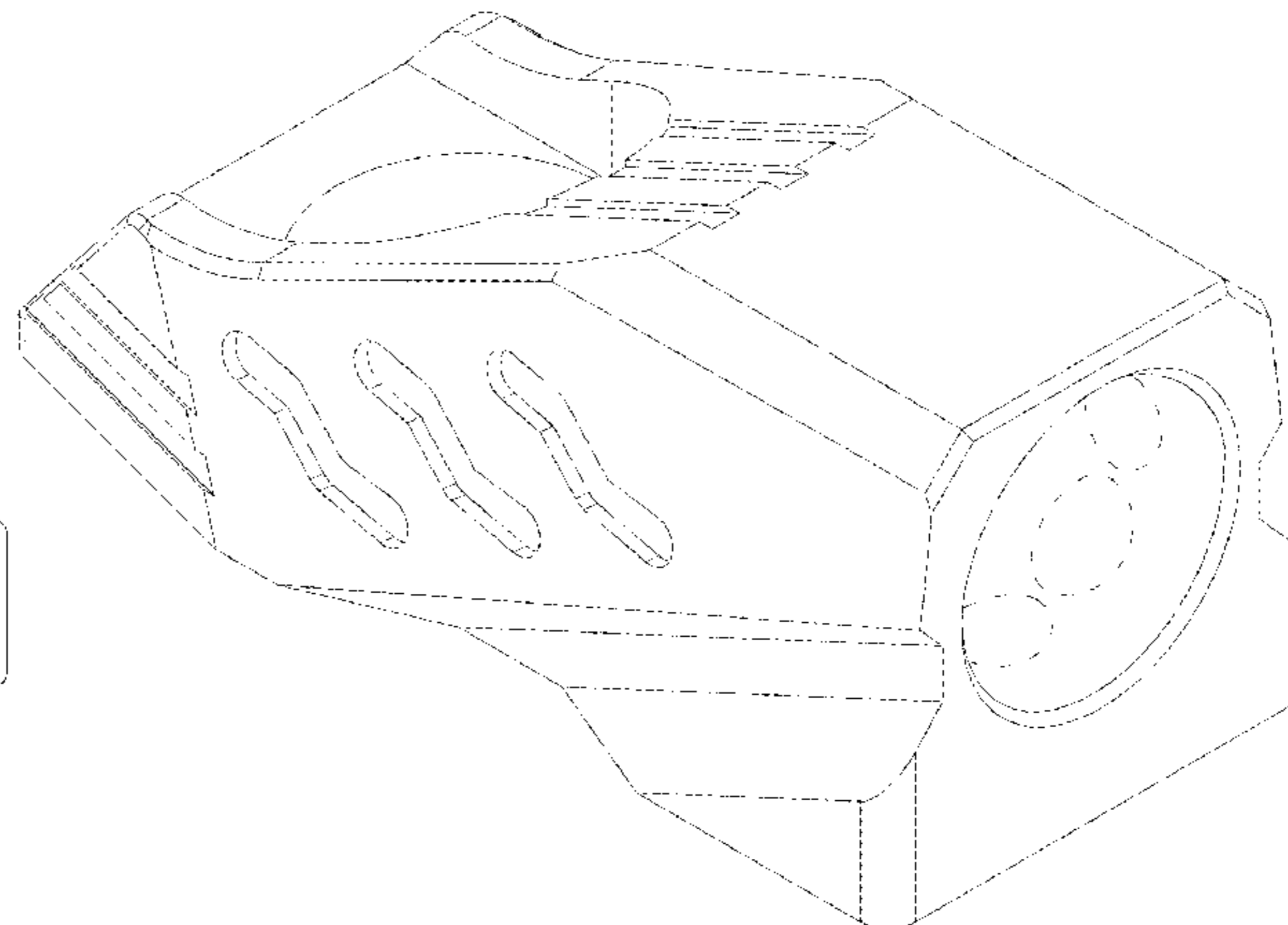
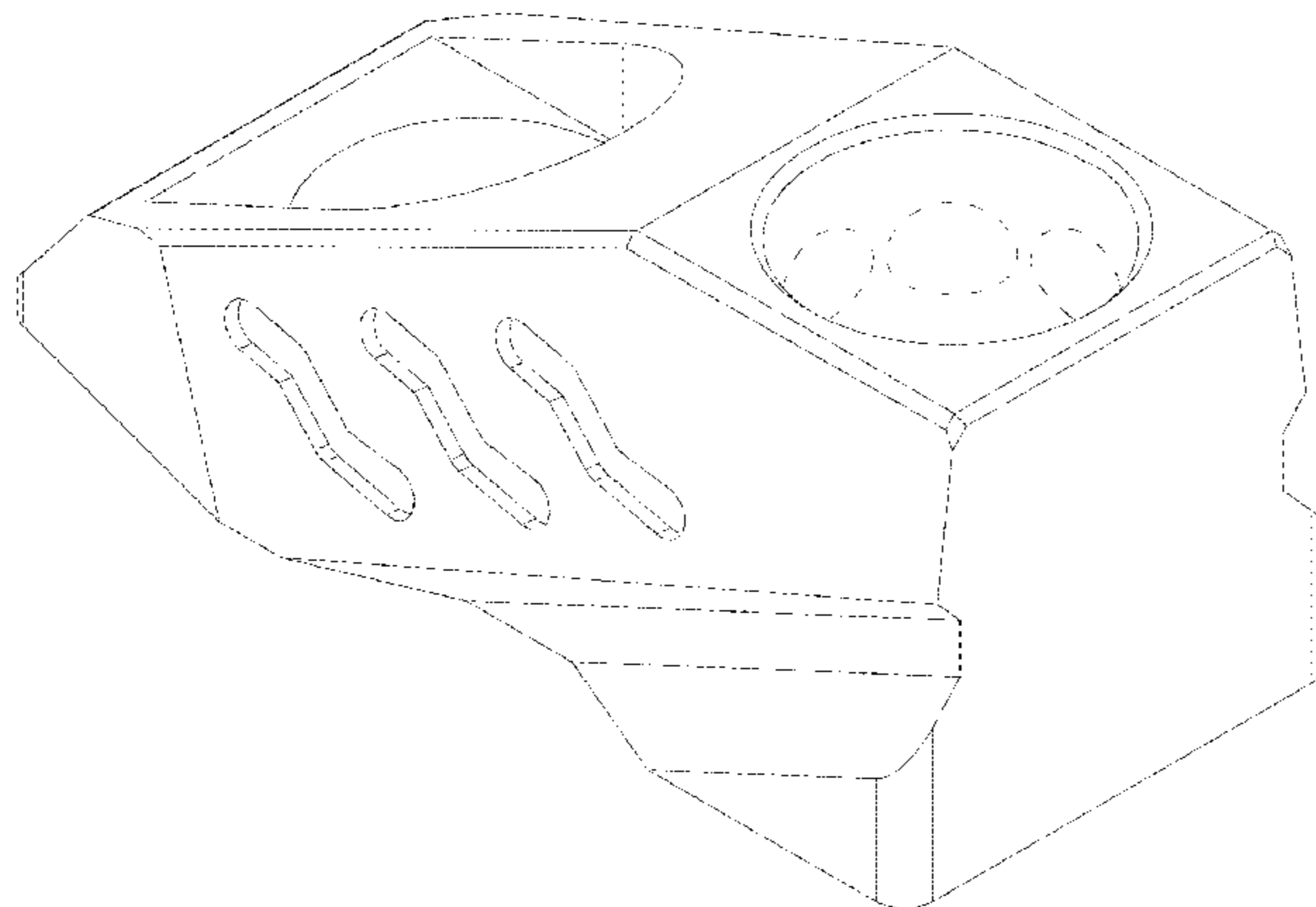
(57) **CLAIM**

The ornamental design for a sling mount, as shown and described.

**DESCRIPTION**

FIG. 1 is a front elevation view of the first embodiment of a sling mount, showing my new design; FIG. 2 is a rear elevational view thereof; FIG. 3 is a left side view thereof; FIG. 4 is a right side view thereof; FIG. 5 is a top plan view thereof; FIG. 6 is a bottom plan view thereof; FIG. 7 is a perspective view thereof; FIG. 8 is a second perspective view thereof; FIG. 9 is a third perspective view thereof; FIG. 10 is a fourth perspective view thereof; FIG. 11 is a front elevation view of the second embodiment of a sling mount, showing my new design; FIG. 12 is a rear elevational view thereof; FIG. 13 is a left side view thereof; FIG. 14 is a right side view thereof; FIG. 15 is a top plan view thereof; FIG. 16 is a bottom plan view thereof; FIG. 17 is a perspective view thereof; FIG. 18 is a second perspective view thereof; FIG. 19 is a third perspective view thereof; and, FIG. 20 is a fourth perspective view thereof. The broken lines shown in sling mount form no part of the claimed design.

**1 Claim, 20 Drawing Sheets**



(56)

**References Cited**

U.S. PATENT DOCUMENTS

D917,001	S	*	4/2021	Shelton	.....	D22/109
D921,815	S	*	6/2021	Lee	.....	D22/108
D921,816	S	*	6/2021	Lee	.....	D22/108
D936,613	S	*	11/2021	Zimmer	.....	D22/108
D940,811	S	*	1/2022	McPhee	.....	D22/108
2021/0341253	A1	*	11/2021	McPhee	.....	F41C 23/02

\* cited by examiner

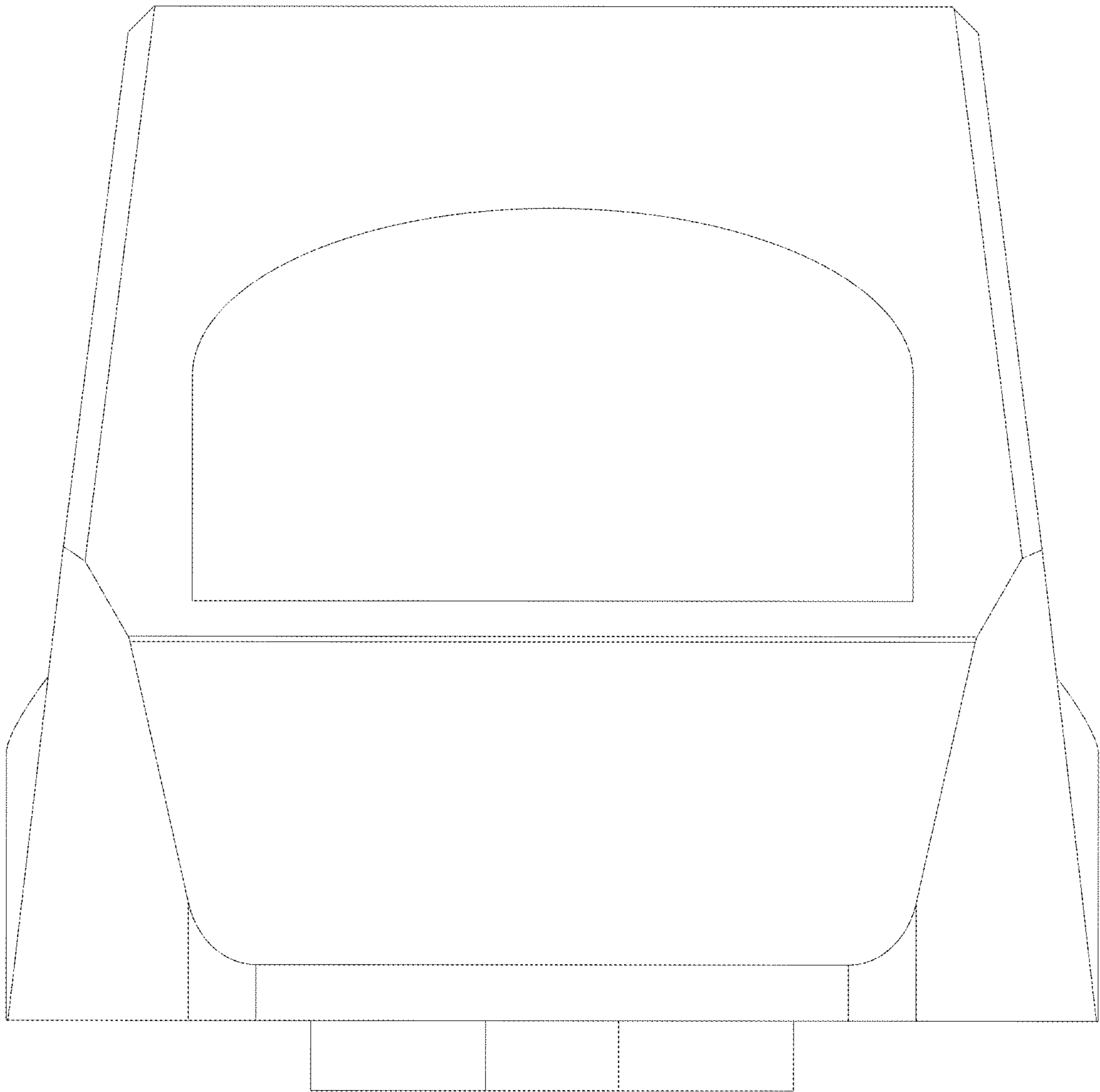


FIG. 1

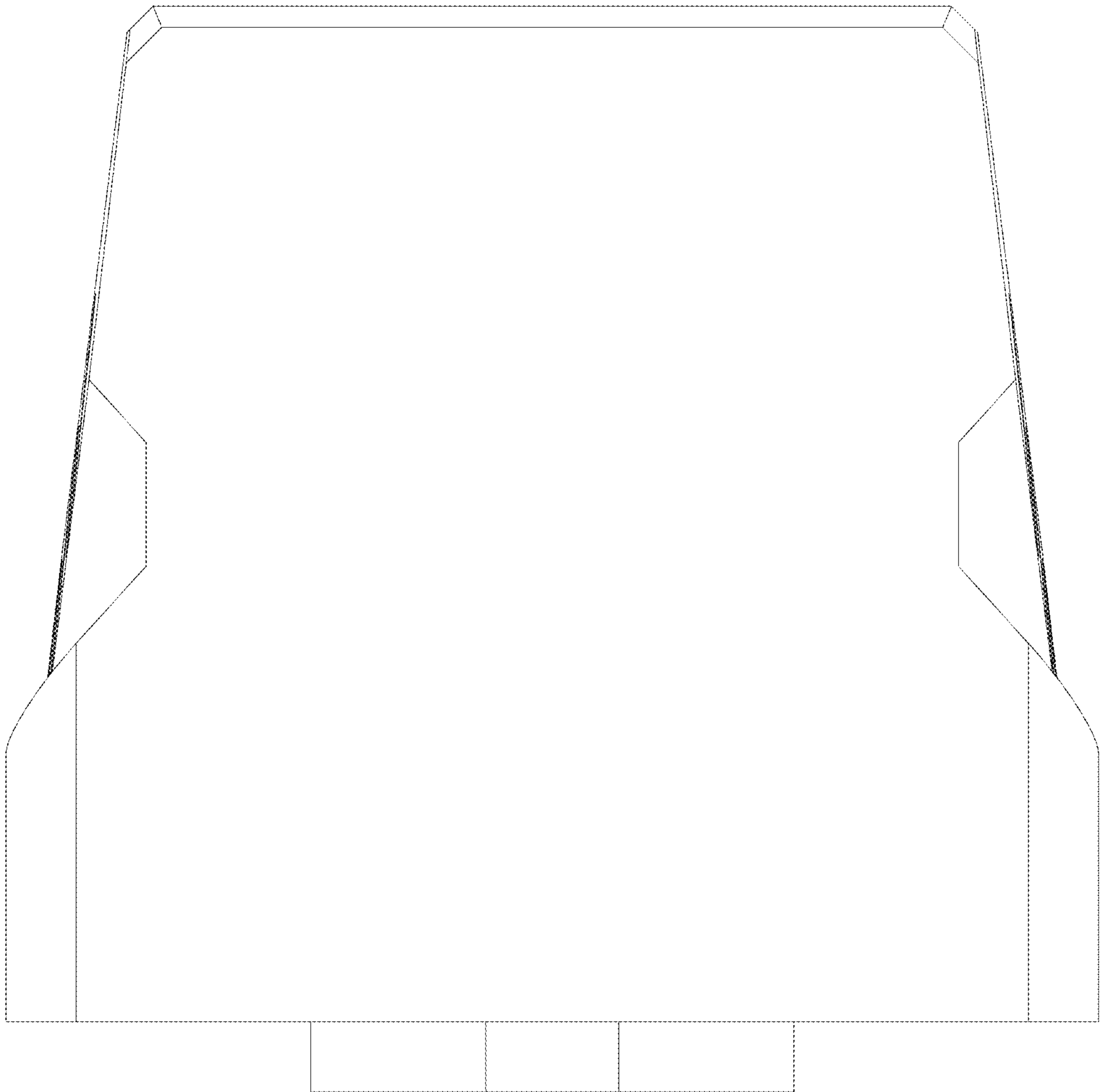


FIG. 2

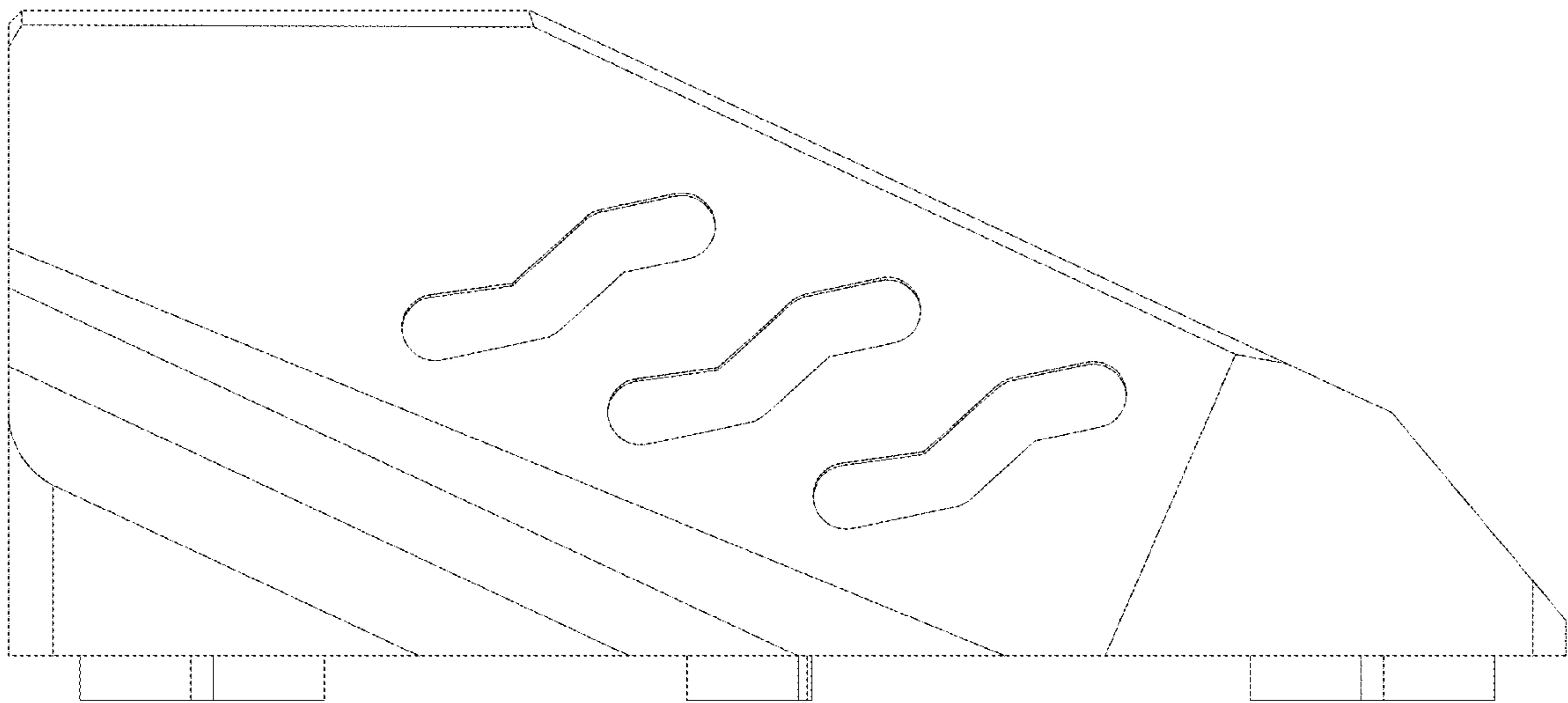


FIG. 3

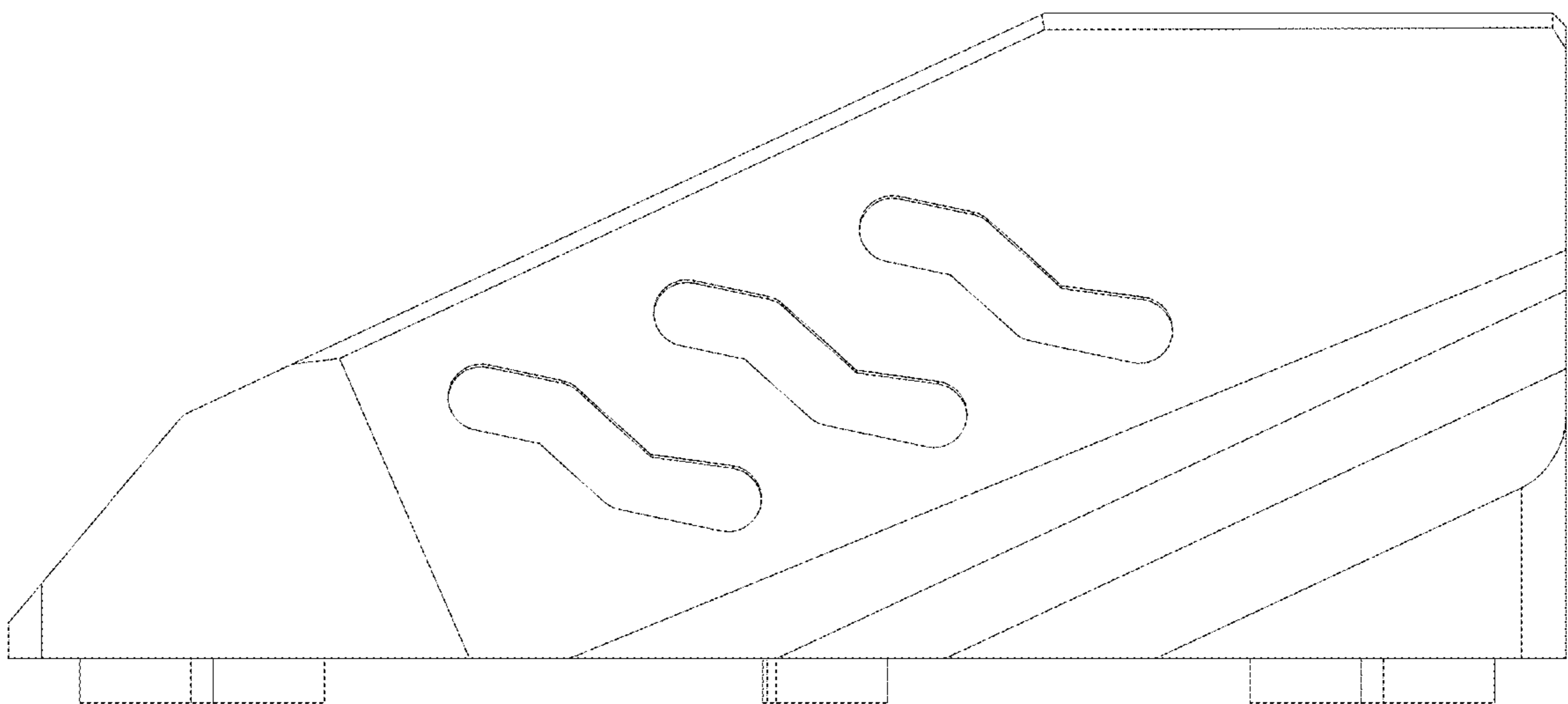


FIG. 4

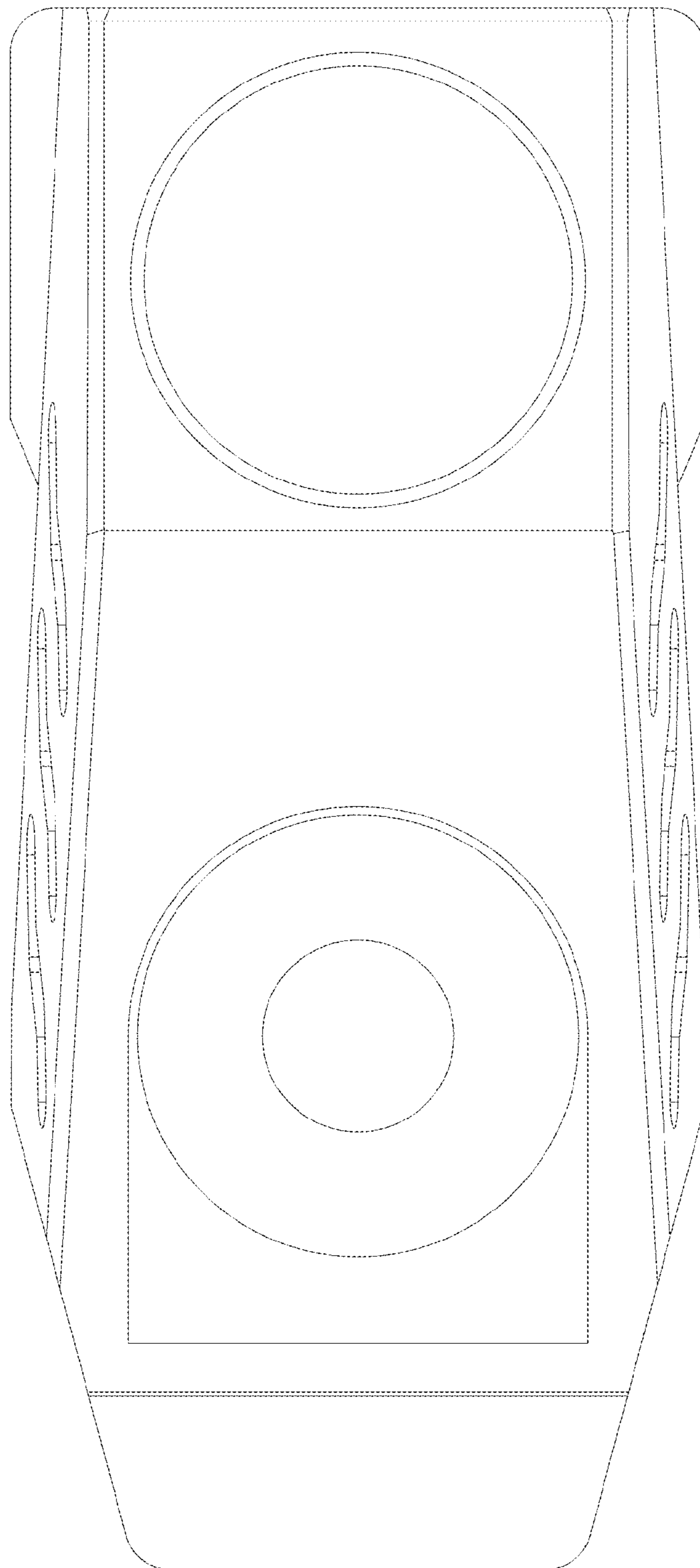


FIG. 5



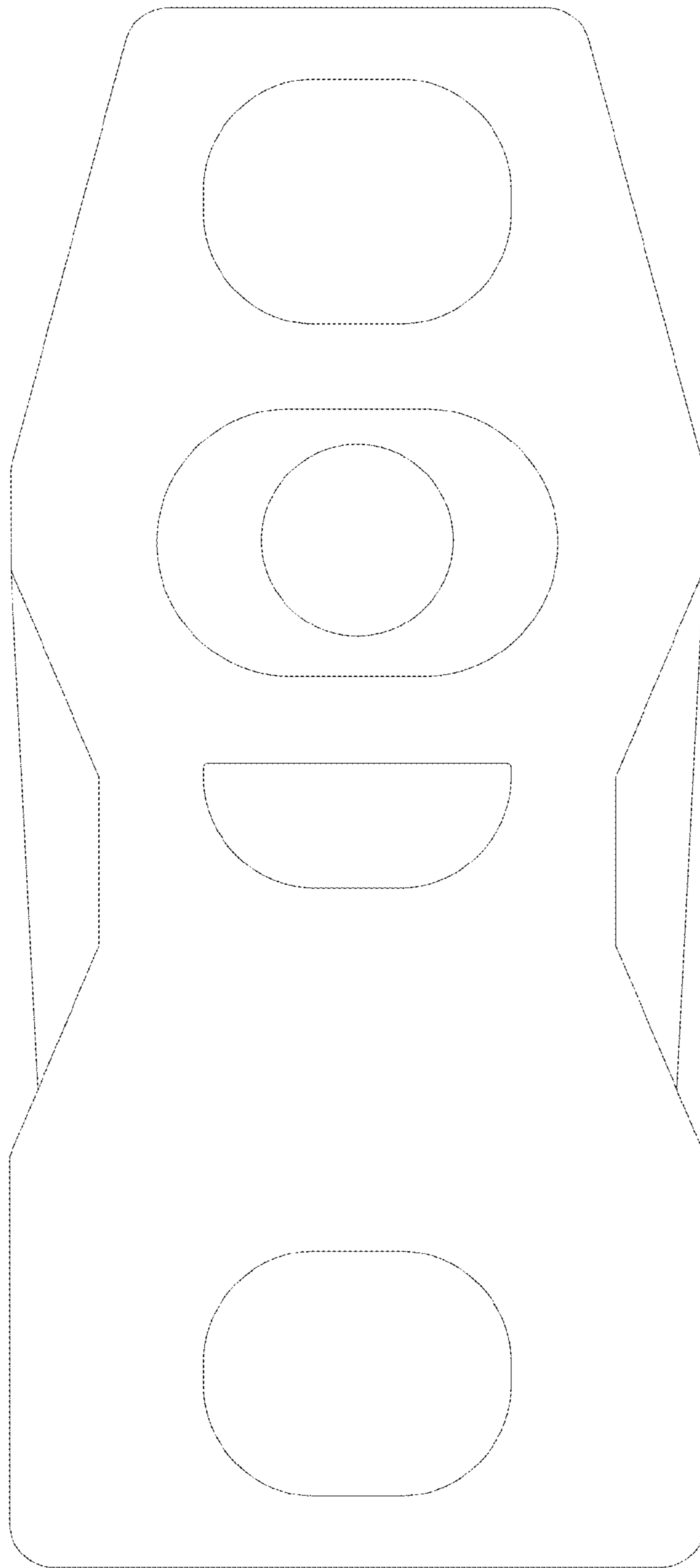


FIG. 6



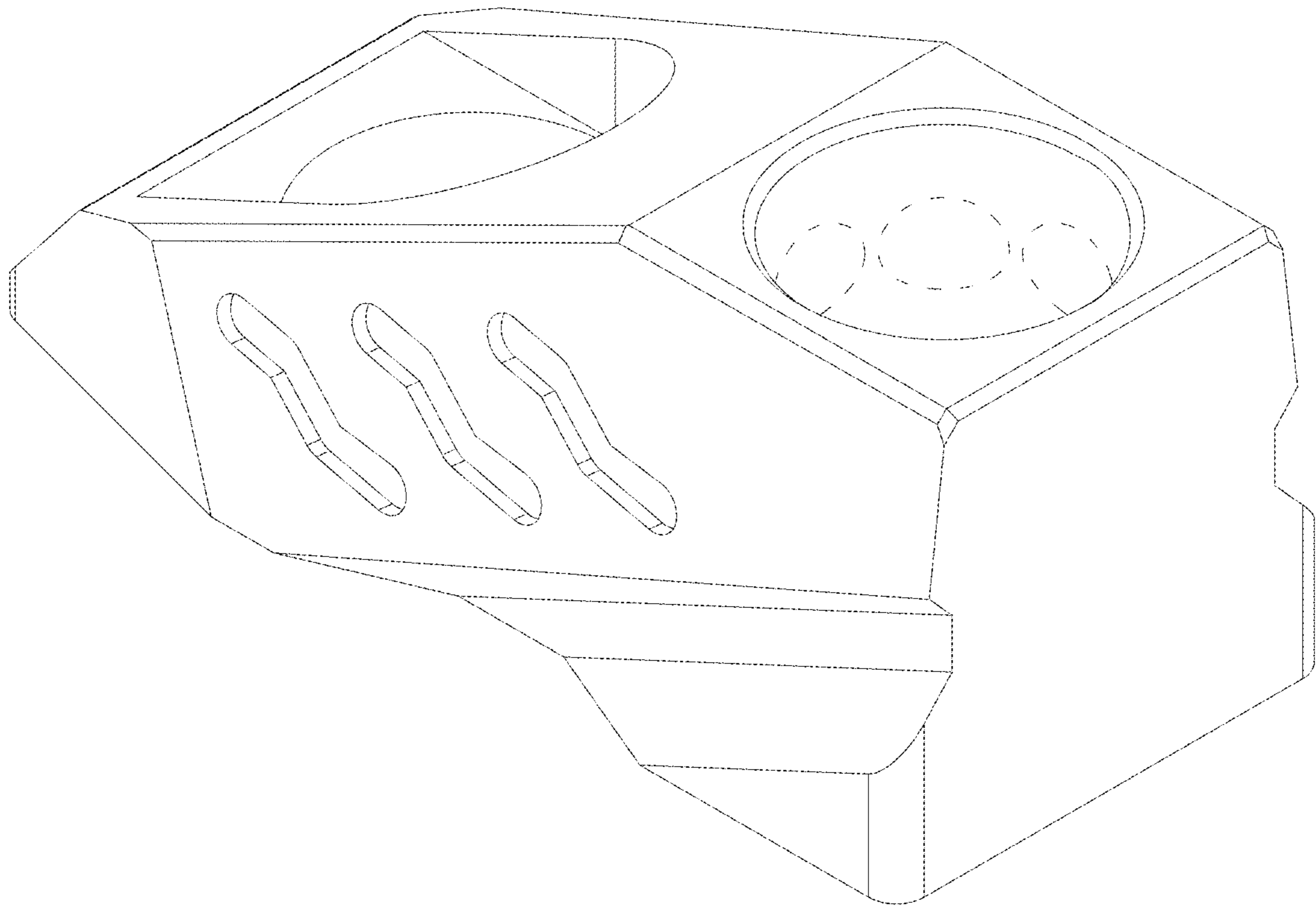


FIG. 7

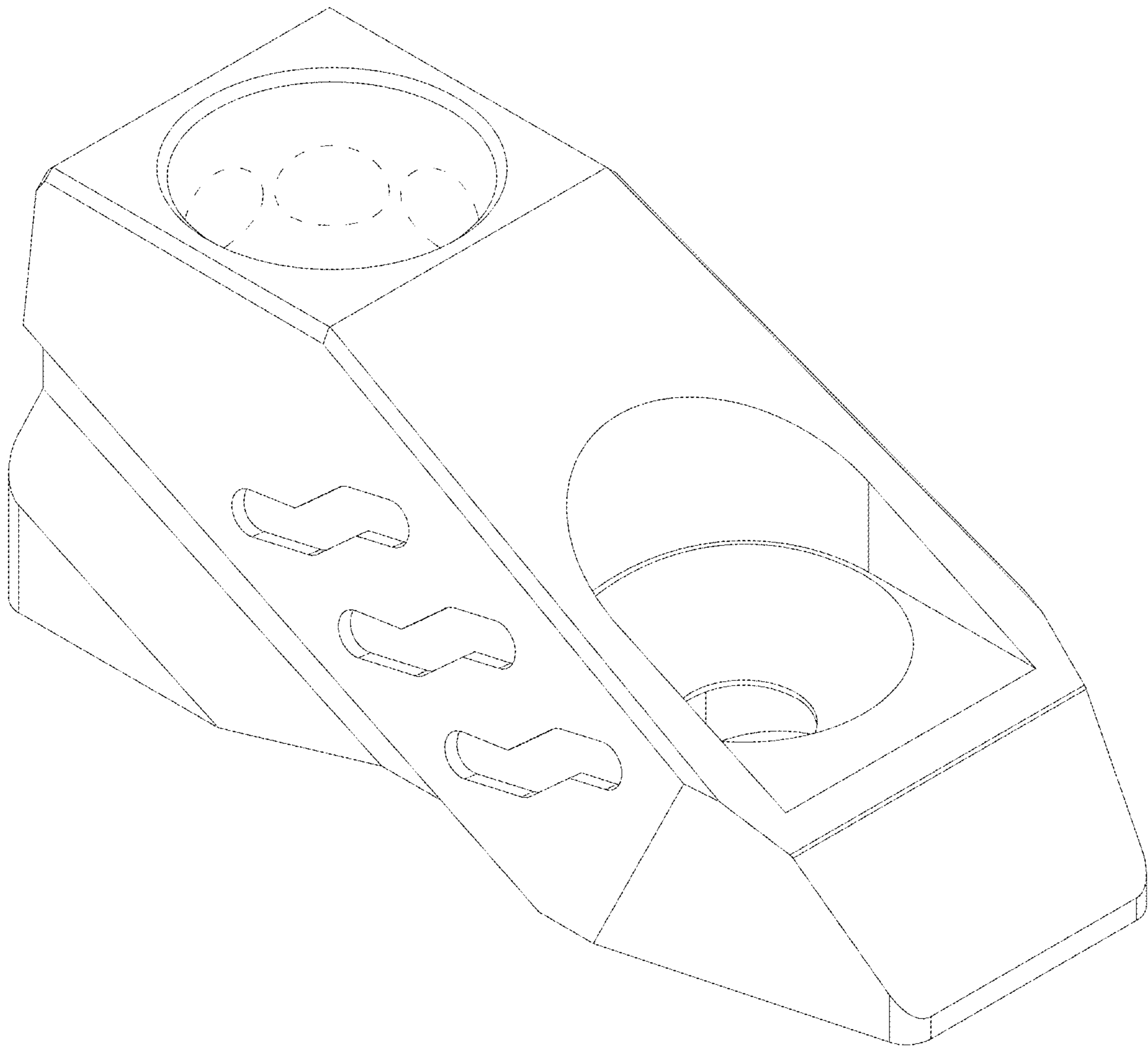


FIG. 8

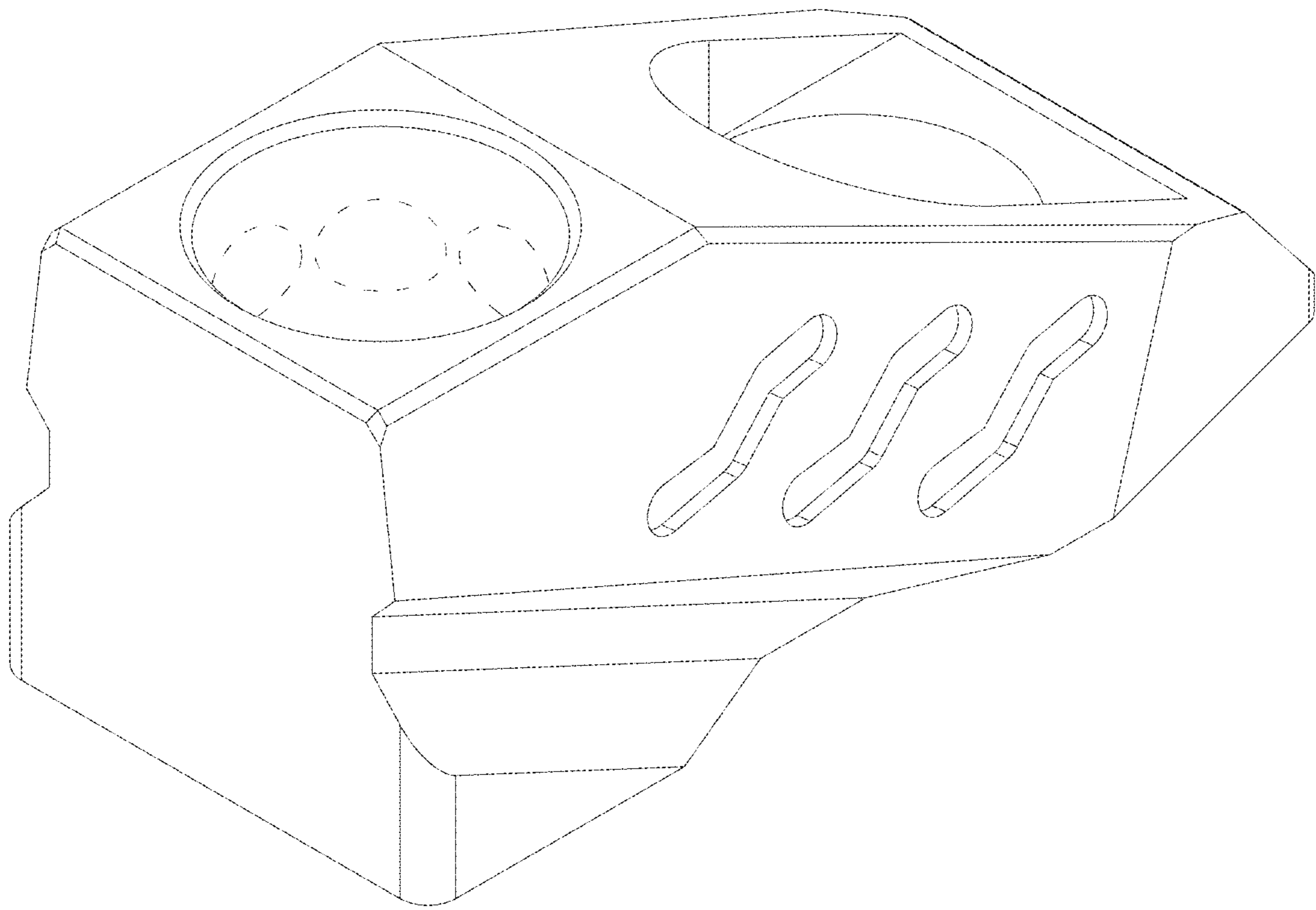


FIG. 9

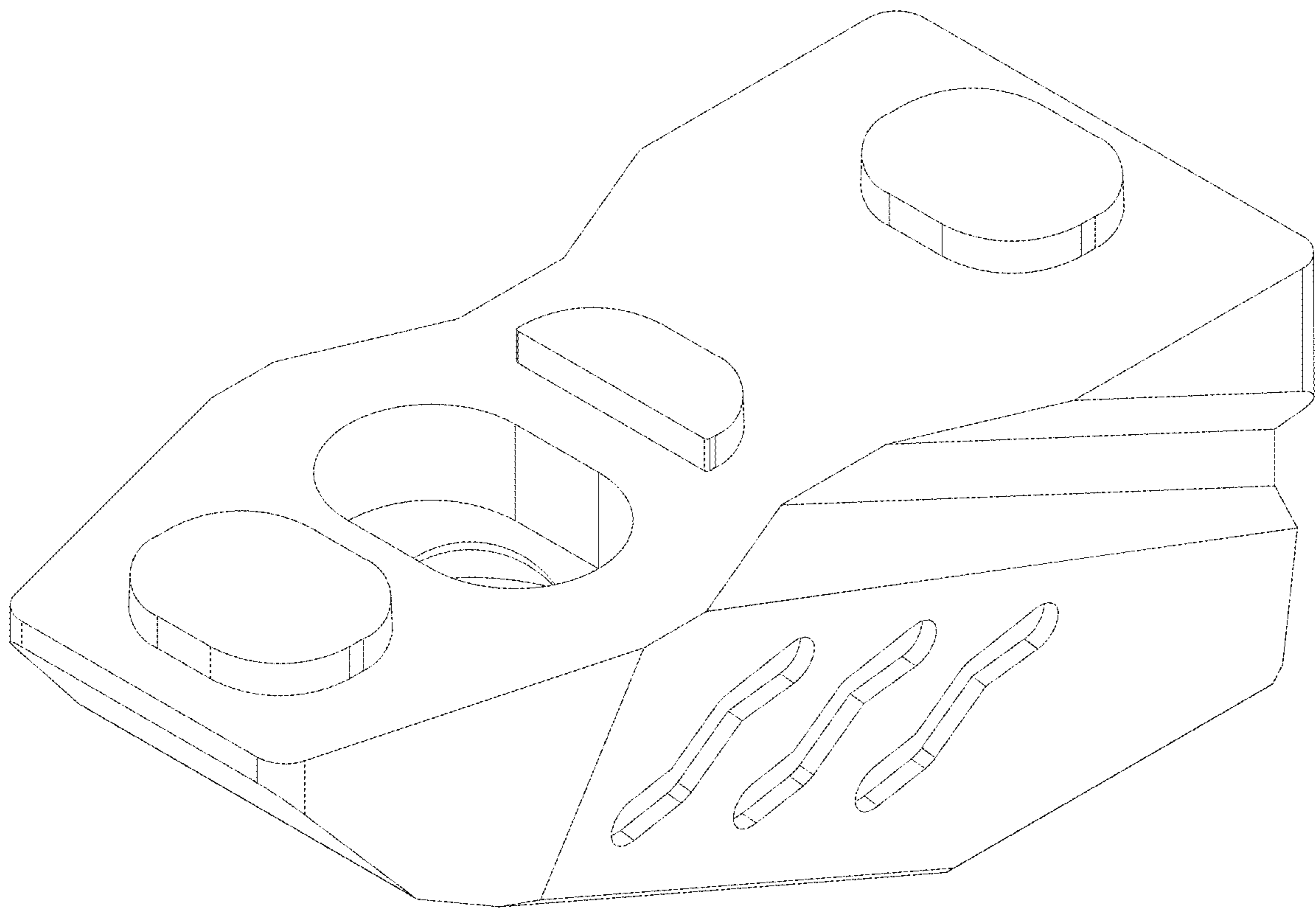


FIG. 10

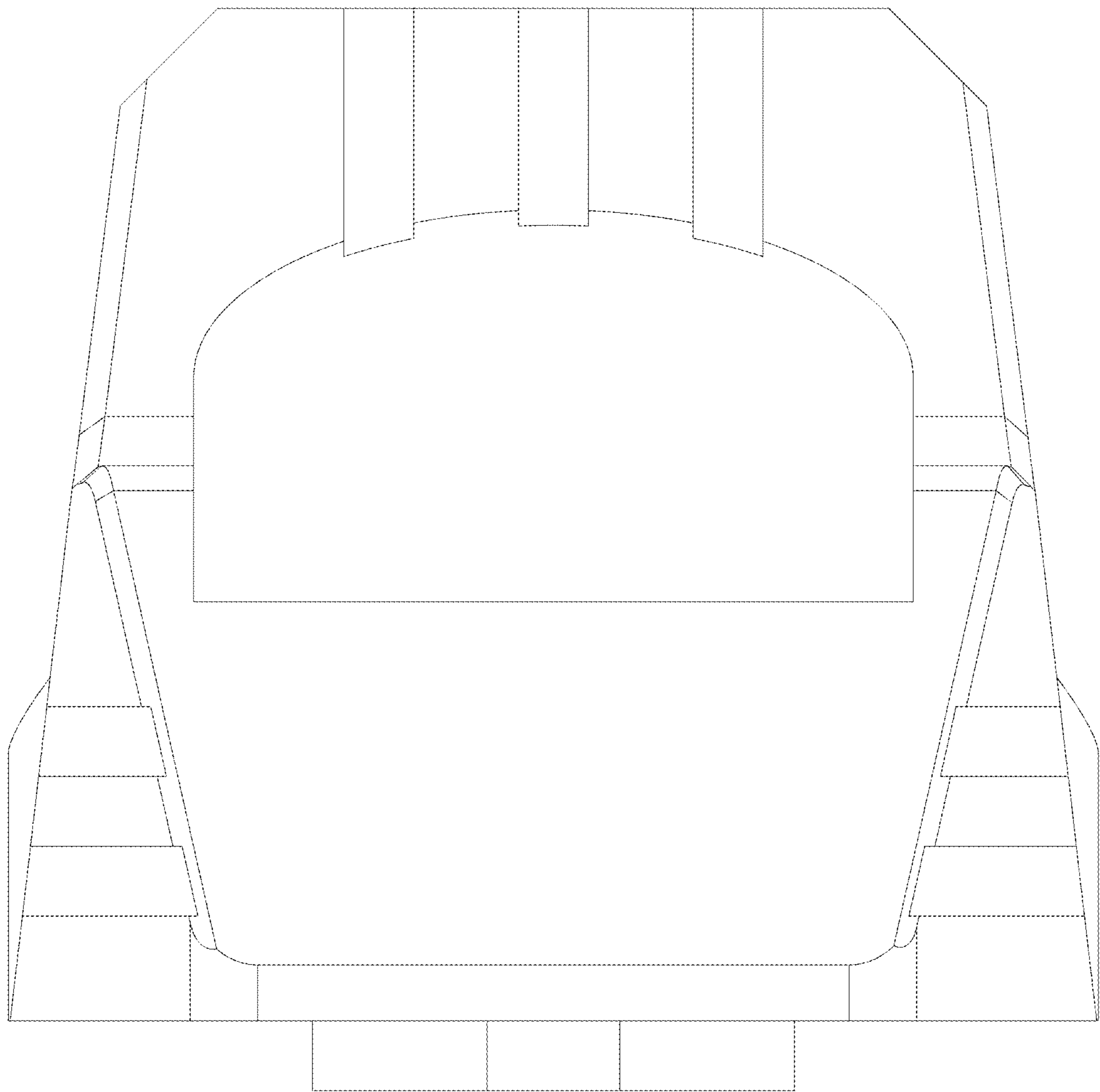


FIG. 11

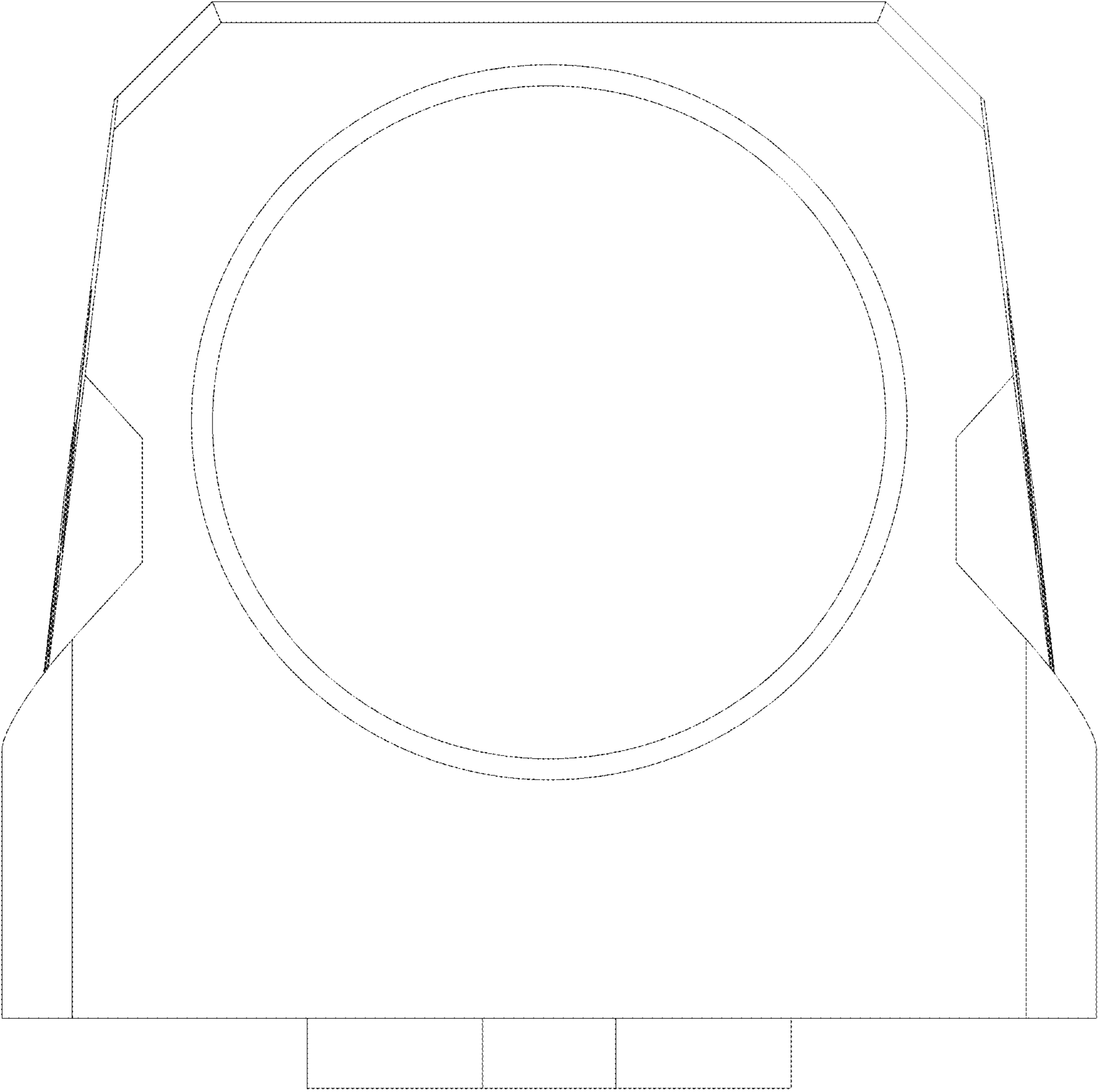


FIG. 12

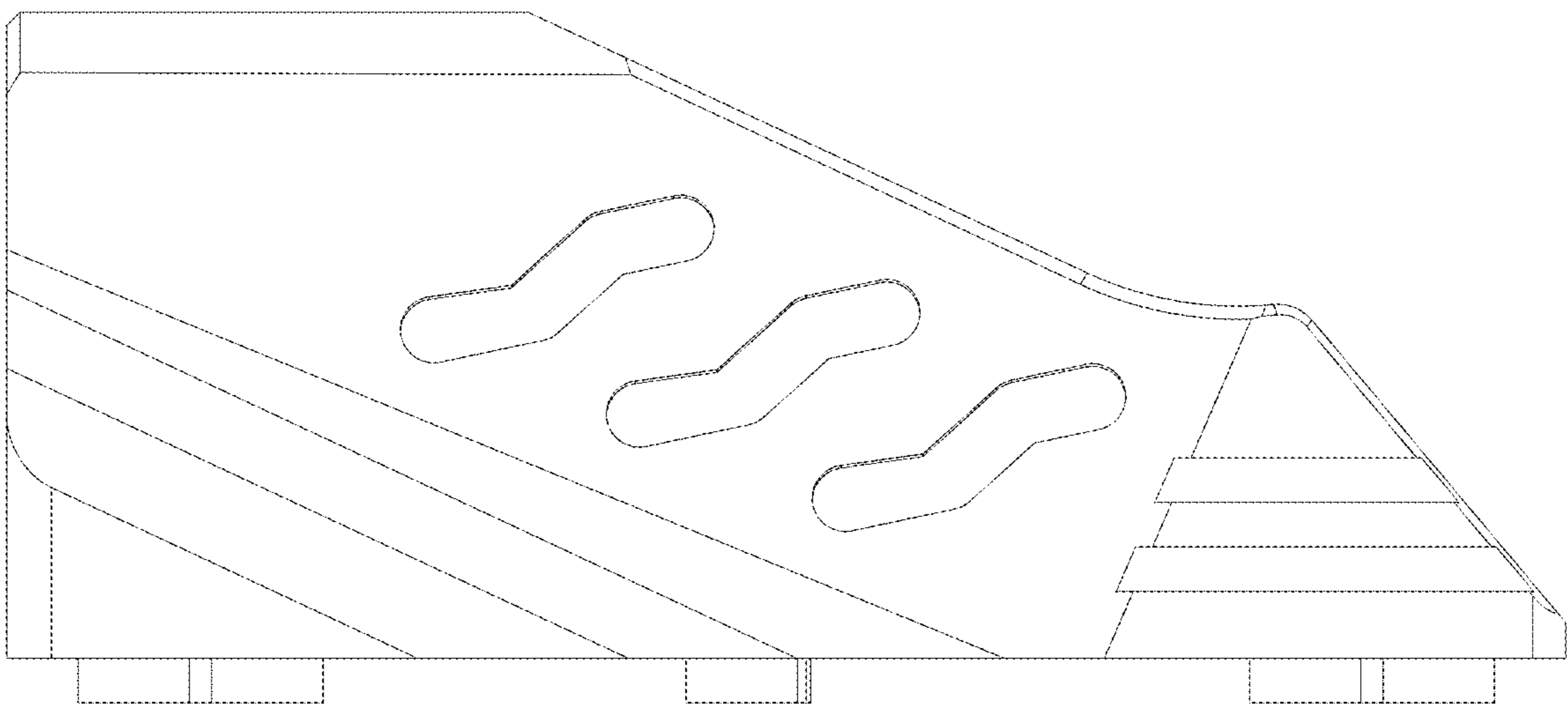


FIG. 13



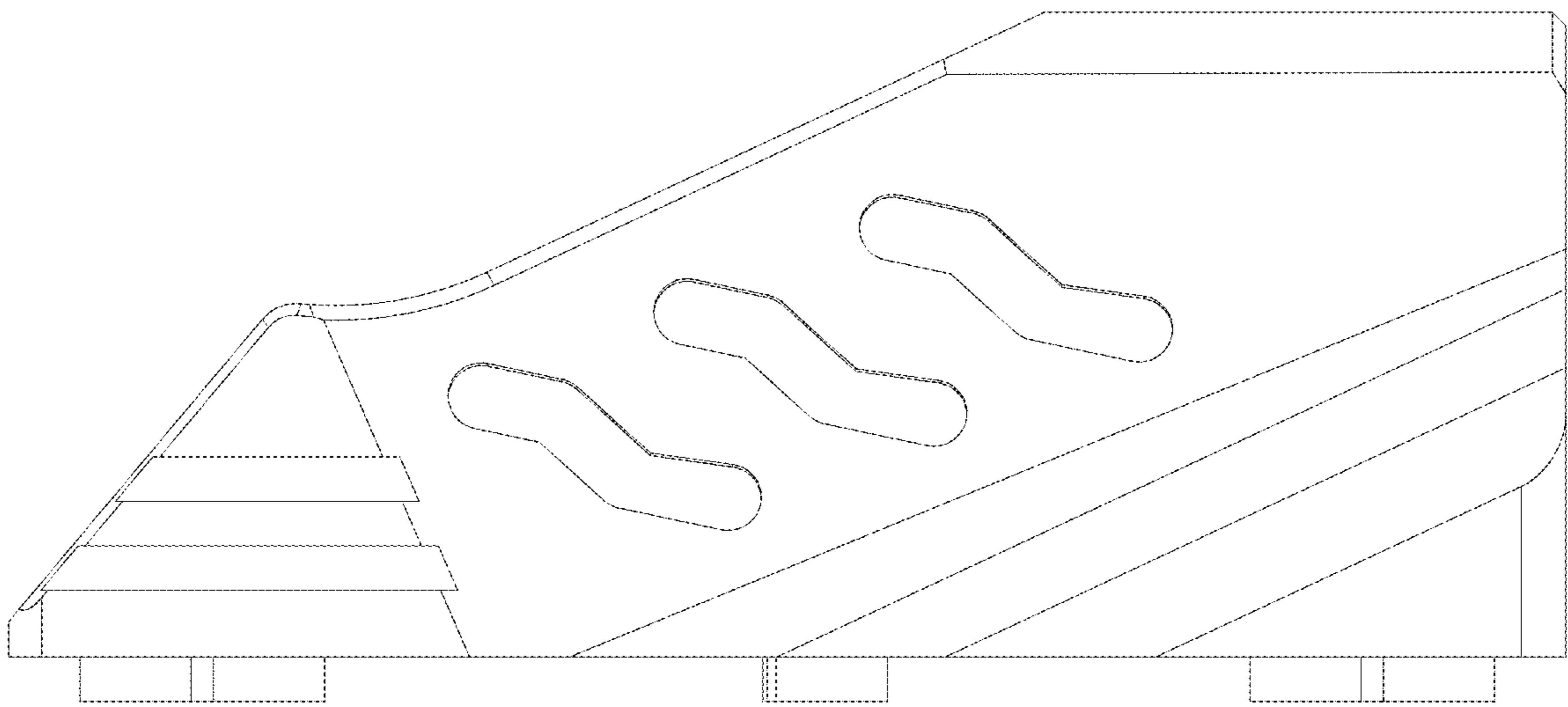


FIG. 14

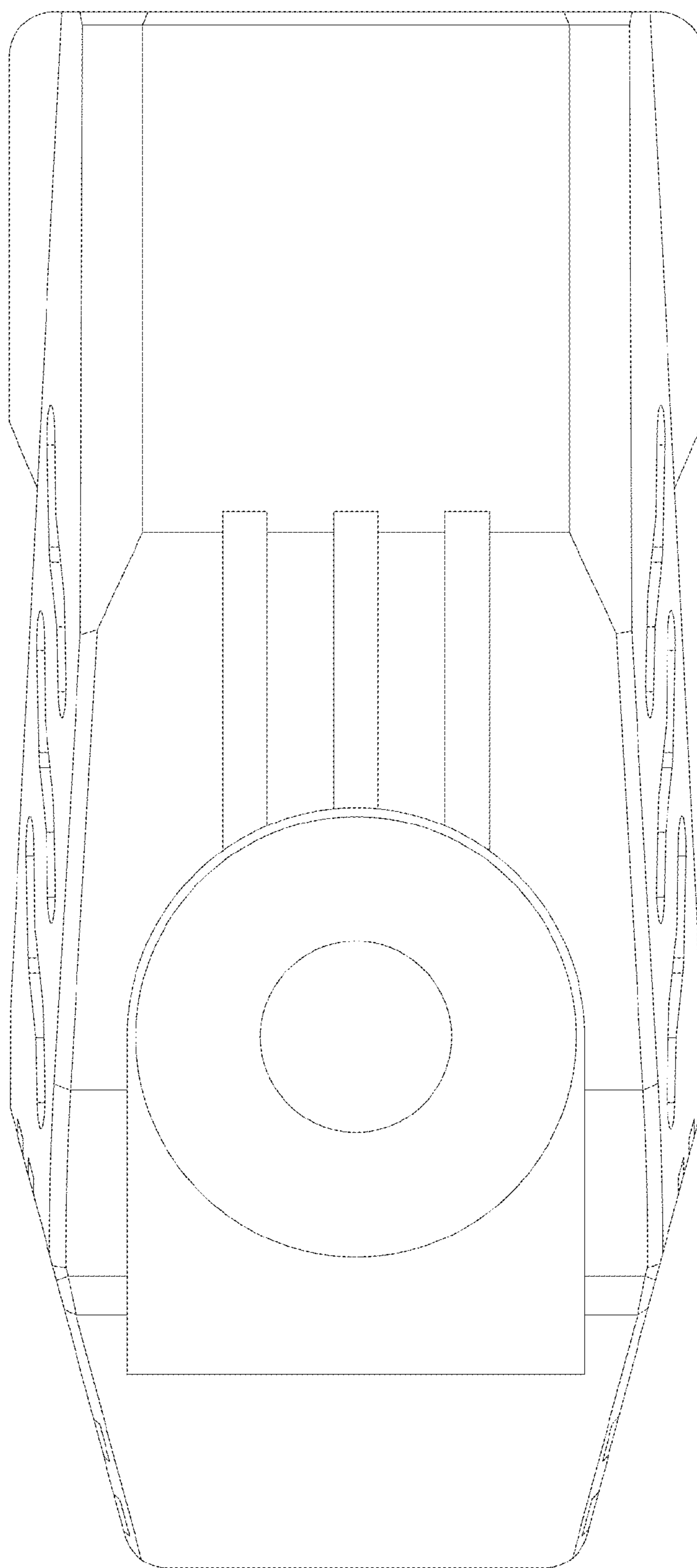


FIG. 15

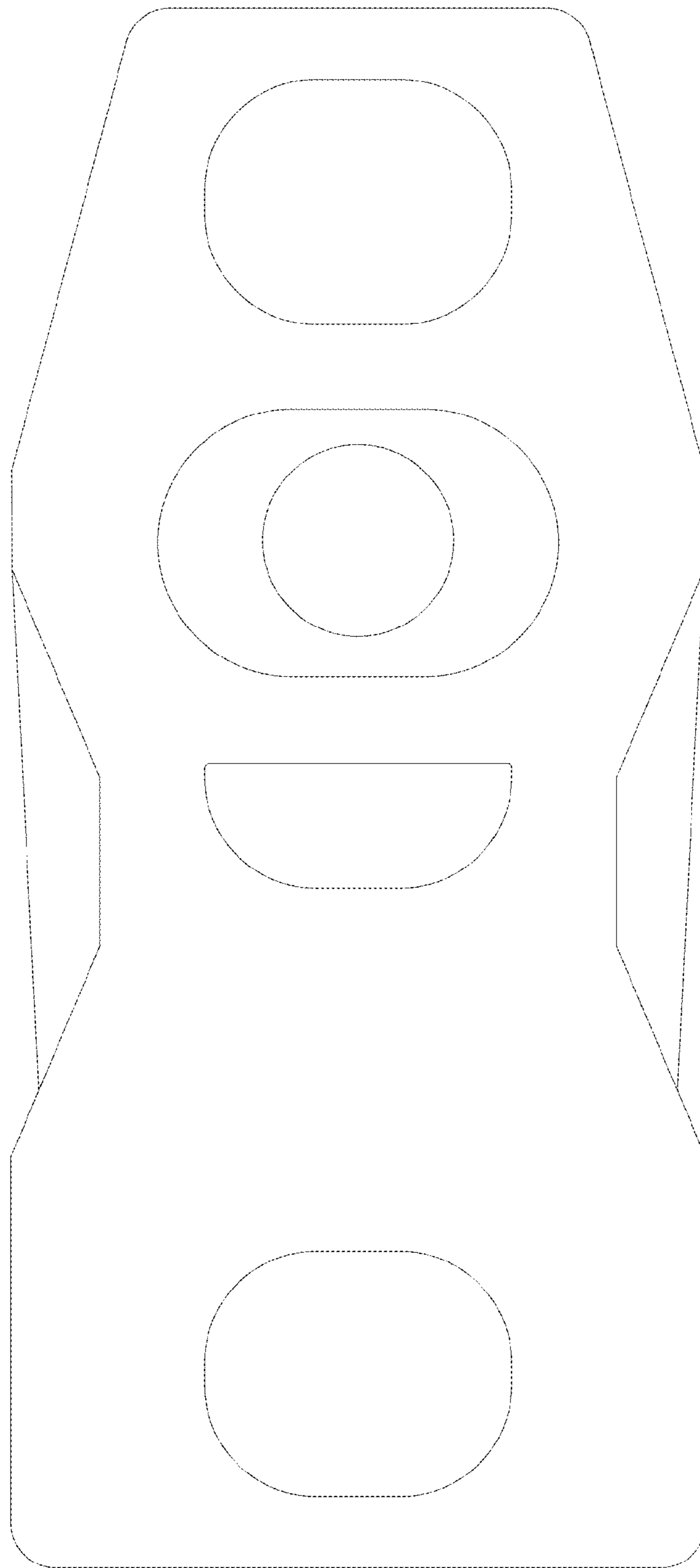


FIG. 16

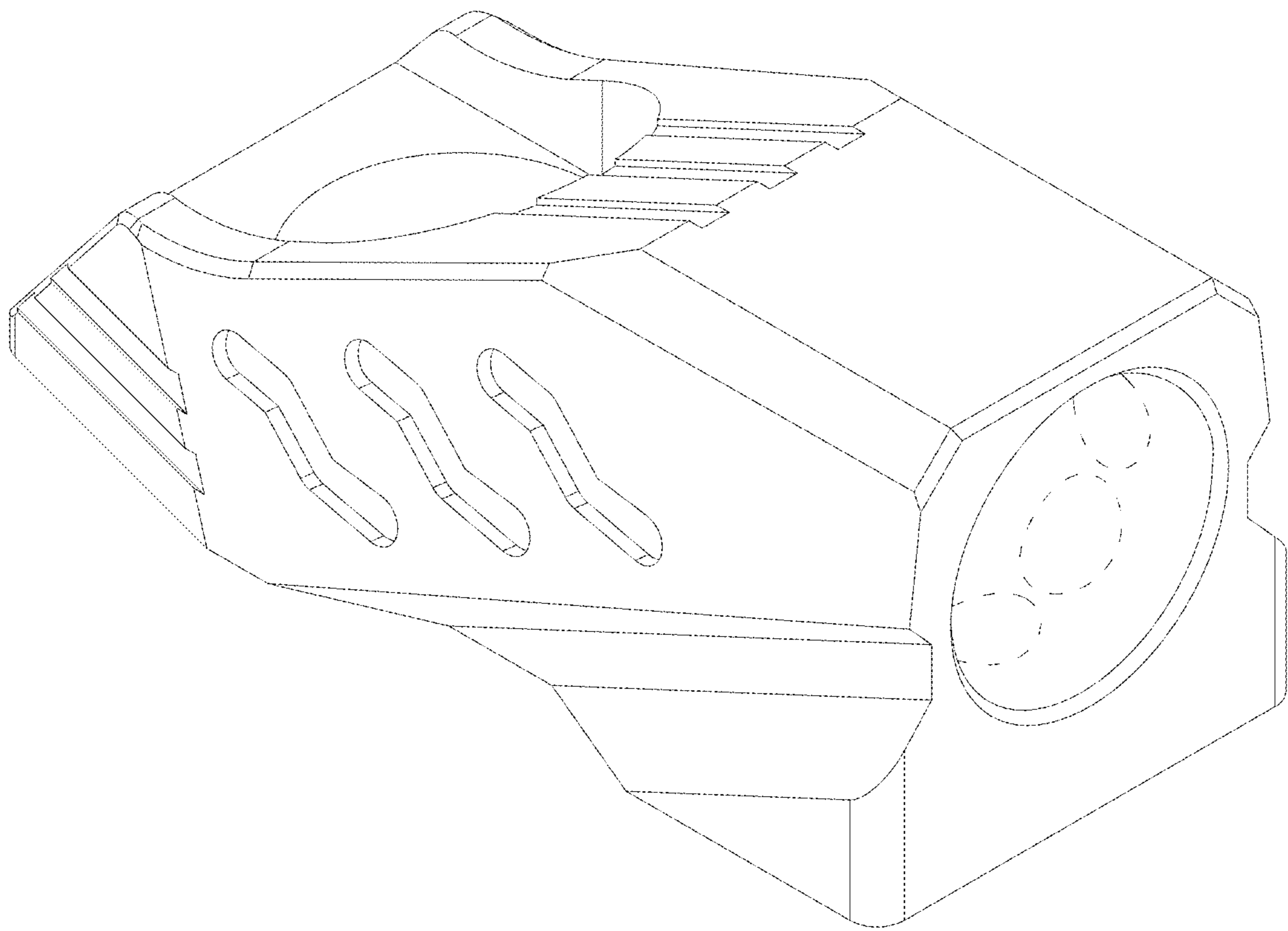


FIG. 17

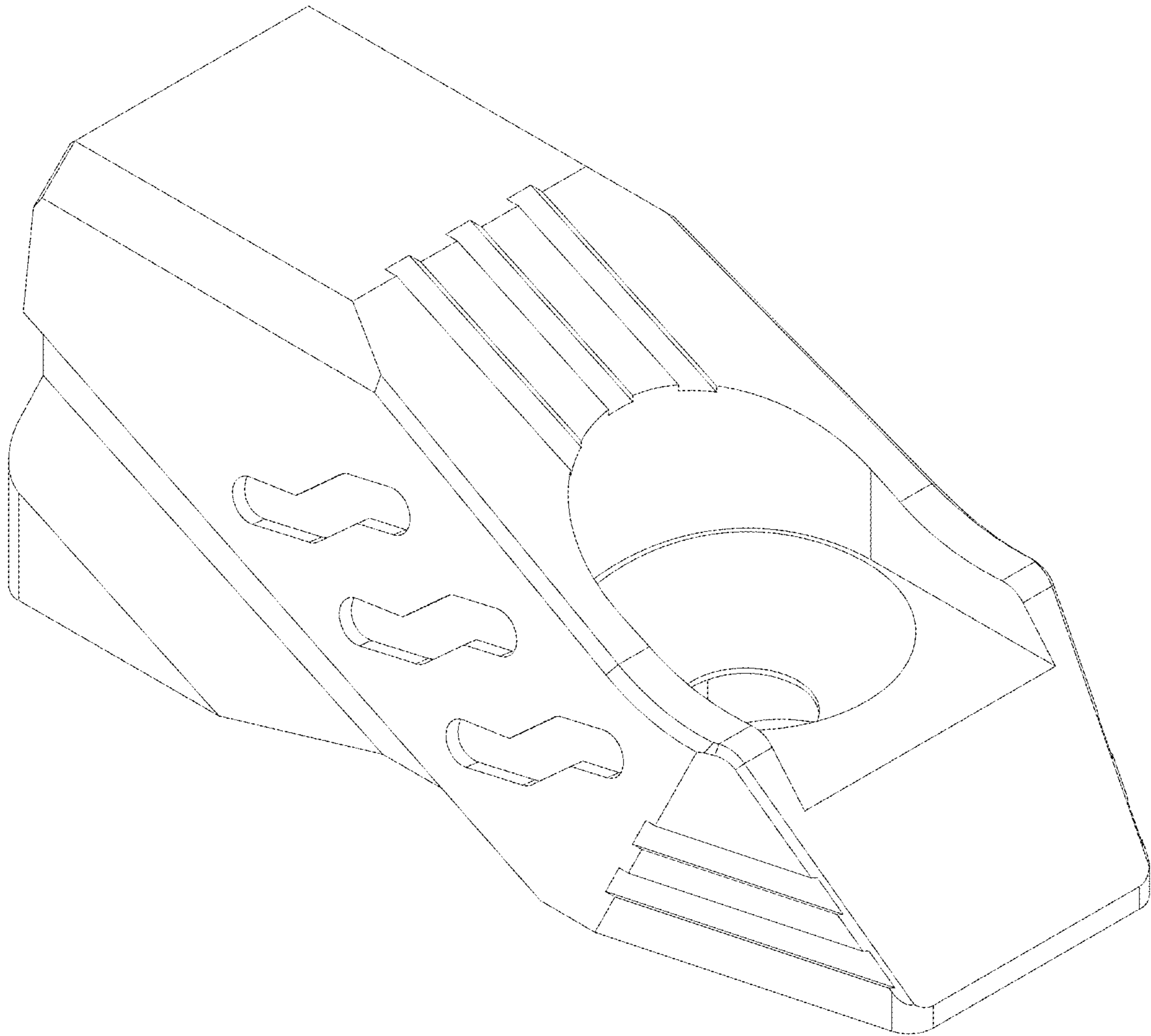


FIG. 18

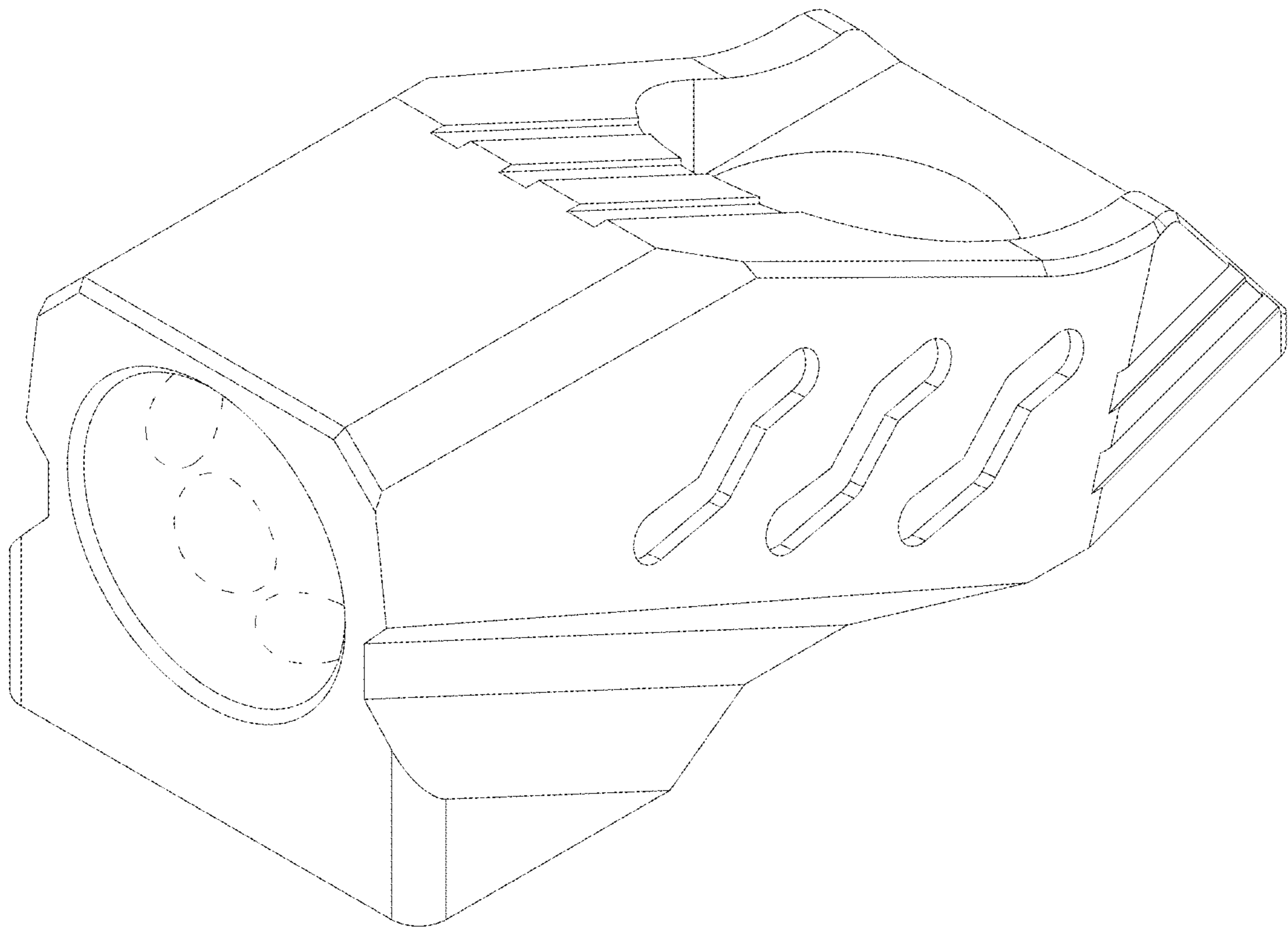


FIG. 19

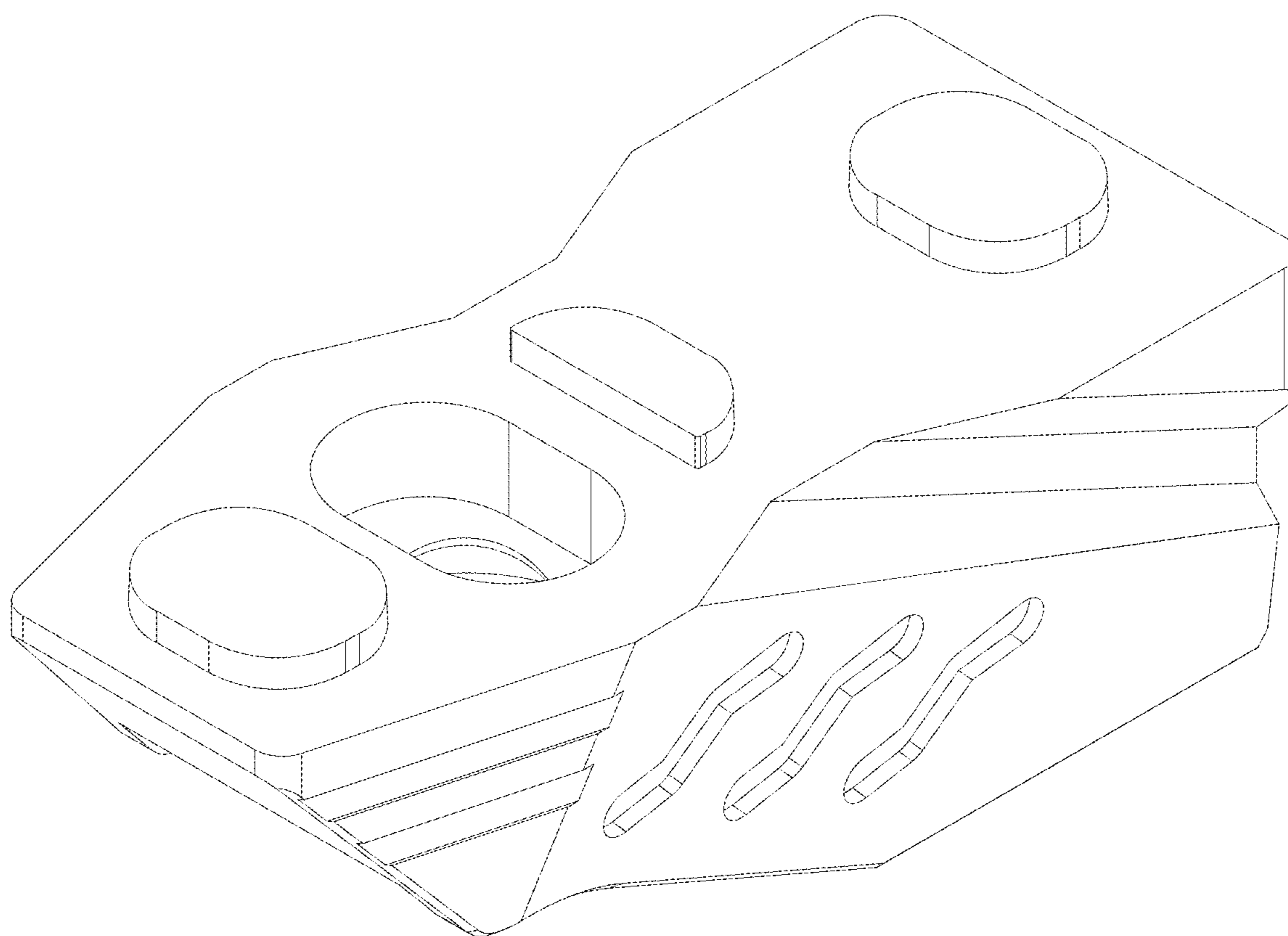


FIG. 20