



US00D951386S

(12) **United States Design Patent**
Holliger

(10) **Patent No.:** **US D951,386 S**

(45) **Date of Patent:** **** May 10, 2022**

(54) **SCOPE RETICLE**

(71) Applicant: **White Oak Arms, Inc.**, Carlock, IL (US)

(72) Inventor: **John Holliger**, Carlock, IL (US)

(**) Term: **15 Years**

(21) Appl. No.: **29/764,889**

(22) Filed: **Jan. 4, 2021**

(51) **LOC (13) Cl.** **22-01**

(52) **U.S. Cl.**
USPC **D22/109**

(58) **Field of Classification Search**
USPC D22/100, 103, 108, 109, 110, 199;
D16/130
CPC . F41G 11/003; F41G 1/14; F41G 1/38; F41G 1/16; F41G 1/02; F41G 1/06; F41A 23/005; F41C 23/16

See application file for complete search history.

(56) **References Cited**

U.S. PATENT DOCUMENTS

D583,898 S	*	12/2008	Peters	D22/109
D584,376 S	*	1/2009	Peters	D22/108
D716,409 S	*	10/2014	Mikroulis	D22/109
D716,905 S	*	11/2014	Beckett	D22/109
D720,033 S	*	12/2014	Mikroulis	D22/109
D758,523 S	*	6/2016	Mikroulis	D22/109
D767,077 S	*	9/2016	Mikroulis	D22/109
D767,659 S	*	9/2016	Mikroulis	D16/136
D785,128 S	*	4/2017	Kobayashi	D22/109
D822,713 S	*	7/2018	Chaudhri	D14/489
D824,480 S	*	7/2018	Izumi	D22/109
D834,629 S	*	11/2018	Mikroulis	D16/136
D850,566 S	*	6/2019	Mikroulis	D16/136
D865,112 S	*	10/2019	Mikroulis	D22/109
D865,113 S	*	10/2019	Mikroulis	D22/109

D865,114 S	*	10/2019	Mikroulis	D22/109
D865,115 S	*	10/2019	Mikroulis	D22/109
D882,018 S	*	4/2020	Hamilton	D22/109
D884,819 S	*	5/2020	Verdugo	D22/109
D889,588 S	*	7/2020	Verdugo	D22/109
2007/0022651 A1	*	2/2007	Verdugo	F41G 1/345 42/130
2007/0097351 A1	*	5/2007	York	F41G 3/06 356/5.02

OTHER PUBLICATIONS

“The Best Rifles and Gear for High Power Shooting” [online]. Serena Juchnowski. [Published on Apr. 13, 2021]. Retrieved from the Internet: <<https://www.outdoorlife.com/guns/best-rifles-and-gear-for-high-power-shooting/>>.*

* cited by examiner

Primary Examiner — Mojtaba Tehrani

(74) *Attorney, Agent, or Firm* — Benjamin D. Rotman; Golan Christie Taglia LLP

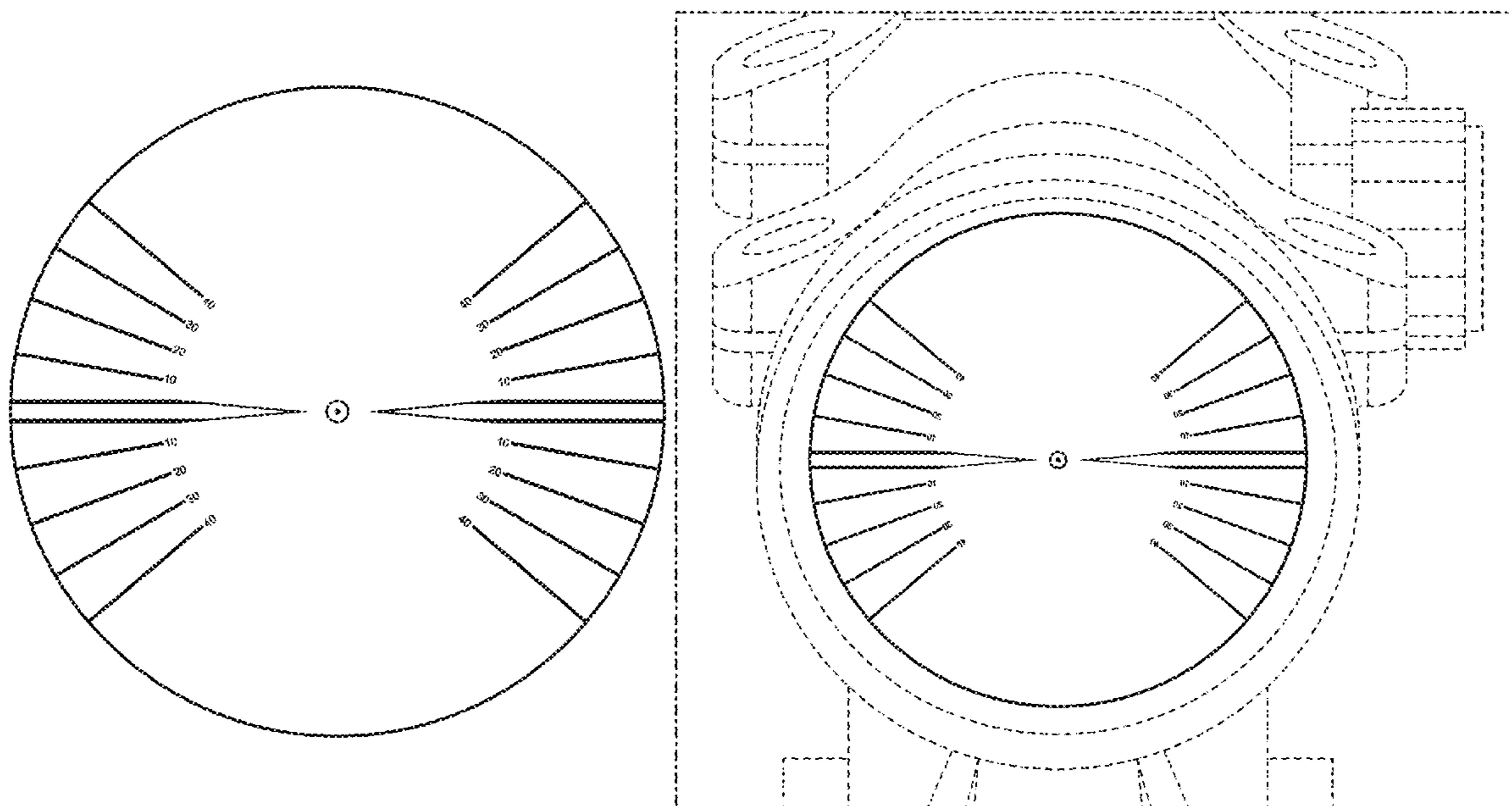
(57) **CLAIM**

The ornamental design for a scope reticle, as shown and described.

DESCRIPTION

FIG. 1 is a front view of a scope reticle in accordance with the invention;
FIG. 2 is a front view of the scope reticle of FIG. 1 with a scope and environment shown in broken lines; and,
FIG. 3 is a back view of the scope reticle of FIG. 1 with a scope and environment shown in broken lines.
The evenly broken lines in the FIGS. 2 and 3 disclose unclaimed environment only; the dash-dot broken lines in the FIGS. 2 and 3 disclose unclaimed boundary of the views only. The broken lines form no part of the claimed design.

1 Claim, 3 Drawing Sheets



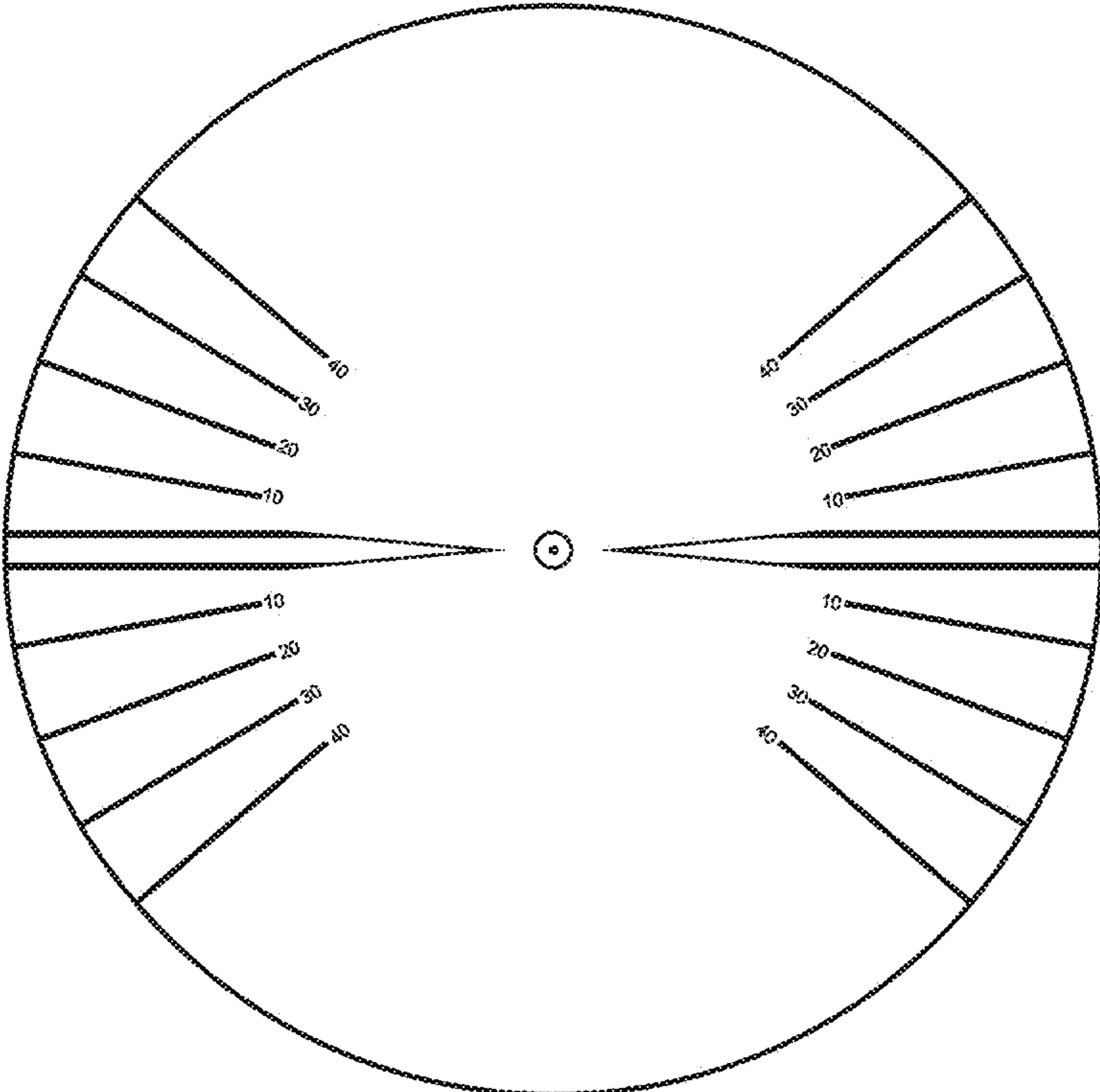


FIG. 1

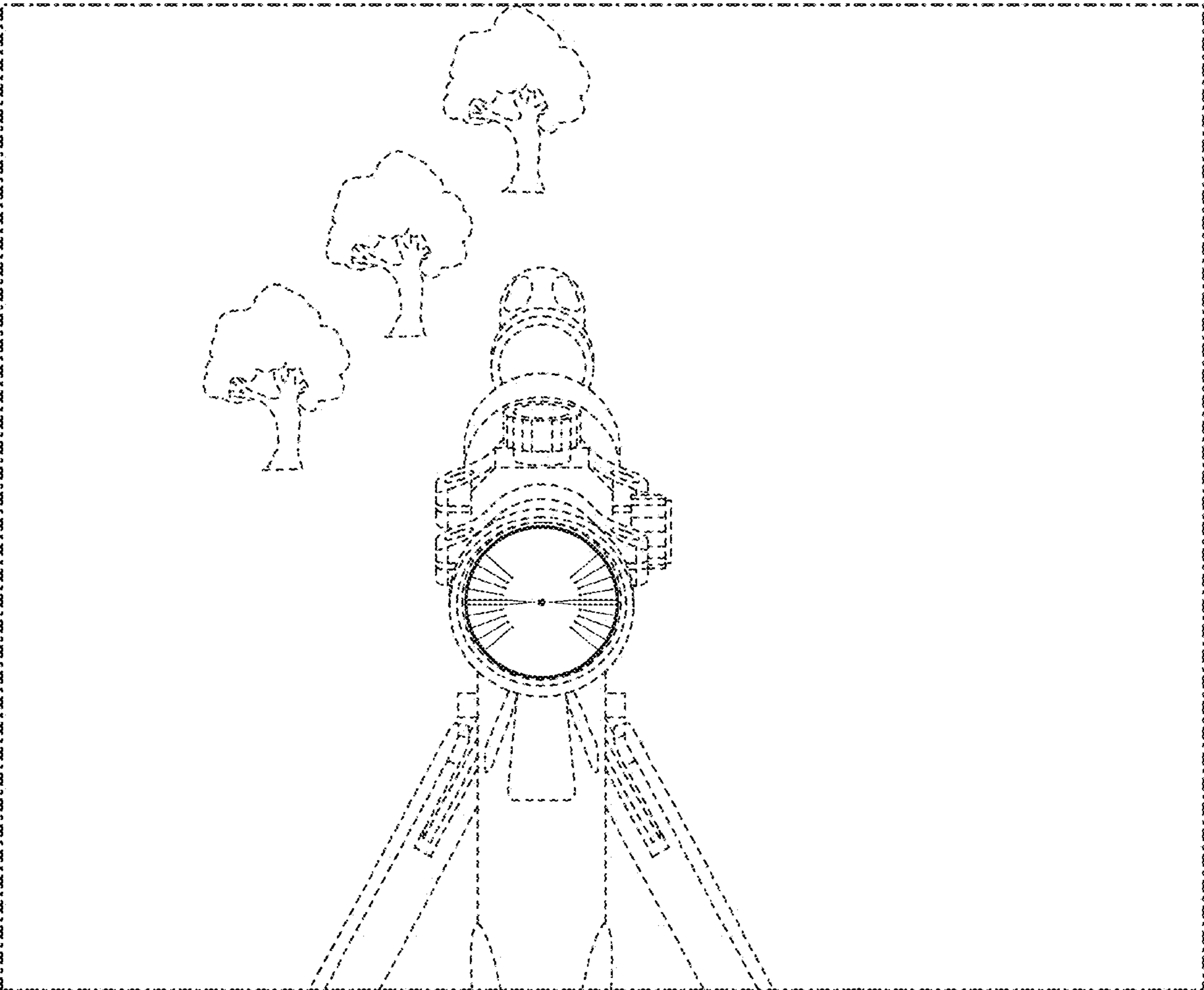


FIG. 2

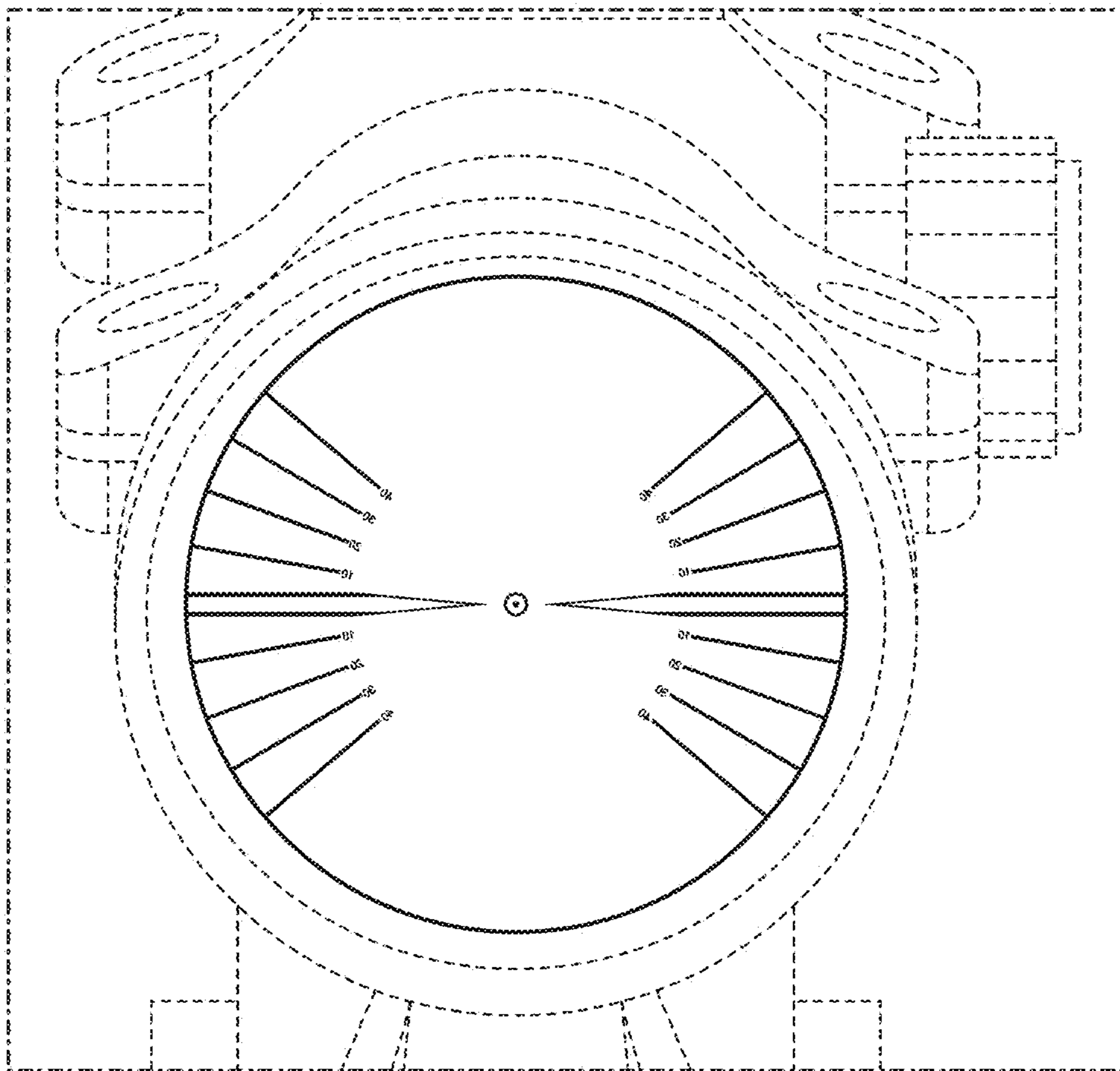


FIG. 3