



US00D951383S

(12) **United States Design Patent**
Hunter

(10) **Patent No.:** **US D951,383 S**

(45) **Date of Patent:** **** May 10, 2022**

(54) **WATER RIDE**

(71) Applicant: **ProSlide Technology Inc.**, Ottawa (CA)

(72) Inventor: **Richard D. Hunter**, Ottawa (CA)

(73) Assignee: **ProSlide Technology Inc.**, Ottawa (CA)

(**) Term: **15 Years**

(21) Appl. No.: **29/760,162**

(22) Filed: **Nov. 30, 2020**

Related U.S. Application Data

(60) Continuation of application No. 29/691,806, filed on May 20, 2019, now Pat. No. Des. 903,804, which is a division of application No. 29/640,186, filed on Mar. 12, 2018, now Pat. No. Des. 876,564.

(30) **Foreign Application Priority Data**

Feb. 5, 2018 (CA) 179569

(51) **LOC (13) Cl.** **21-03**

(52) **U.S. Cl.**
USPC **D21/819**

(58) **Field of Classification Search**

USPC D21/811, 814, 818-822

CPC A63G 21/00-21/22

See application file for complete search history.

(56) **References Cited**

U.S. PATENT DOCUMENTS

908,034 A * 12/1908 Pyleck B65G 11/103
193/25 R

2,465,187 A * 3/1949 Barrabee A63G 21/02
472/116

D256,940 S * 9/1980 Allen, III D21/819

D266,346 S * 9/1982 Millay D21/819

D269,104 S * 5/1983 Brown D21/819
D269,105 S * 5/1983 Brown D21/819
D269,106 S * 5/1983 Brown D21/819
D269,107 S * 5/1983 Brown D21/819
D328,119 S * 7/1992 Matsch D21/821
5,505,663 A * 4/1996 Goulart A63G 21/00
14/70

5,554,074 A * 9/1996 Von Parrish A63B 9/00
472/116

D388,148 S * 12/1997 Sutton D21/818

(Continued)

OTHER PUBLICATIONS

Demand to Cancellation of Decision, issued from the Re-Examination and Evaluation Board of the Turkish Patent Office's Review and Reassessment Board No. 2018/T-1106. (16 pages).

(Continued)

Primary Examiner — Mitchell I. Siegel

(74) *Attorney, Agent, or Firm* — Finnegan, Henderson, Farabow, Garrett & Dunner, L.L.P.

(57) **CLAIM**

The ornamental design for a water ride, as shown and described.

DESCRIPTION

FIG. 1 is a perspective view of a water ride showing my new design;

FIG. 2 is a front view thereof;

FIG. 3 is a rear view thereof;

FIG. 4 is a right side view thereof;

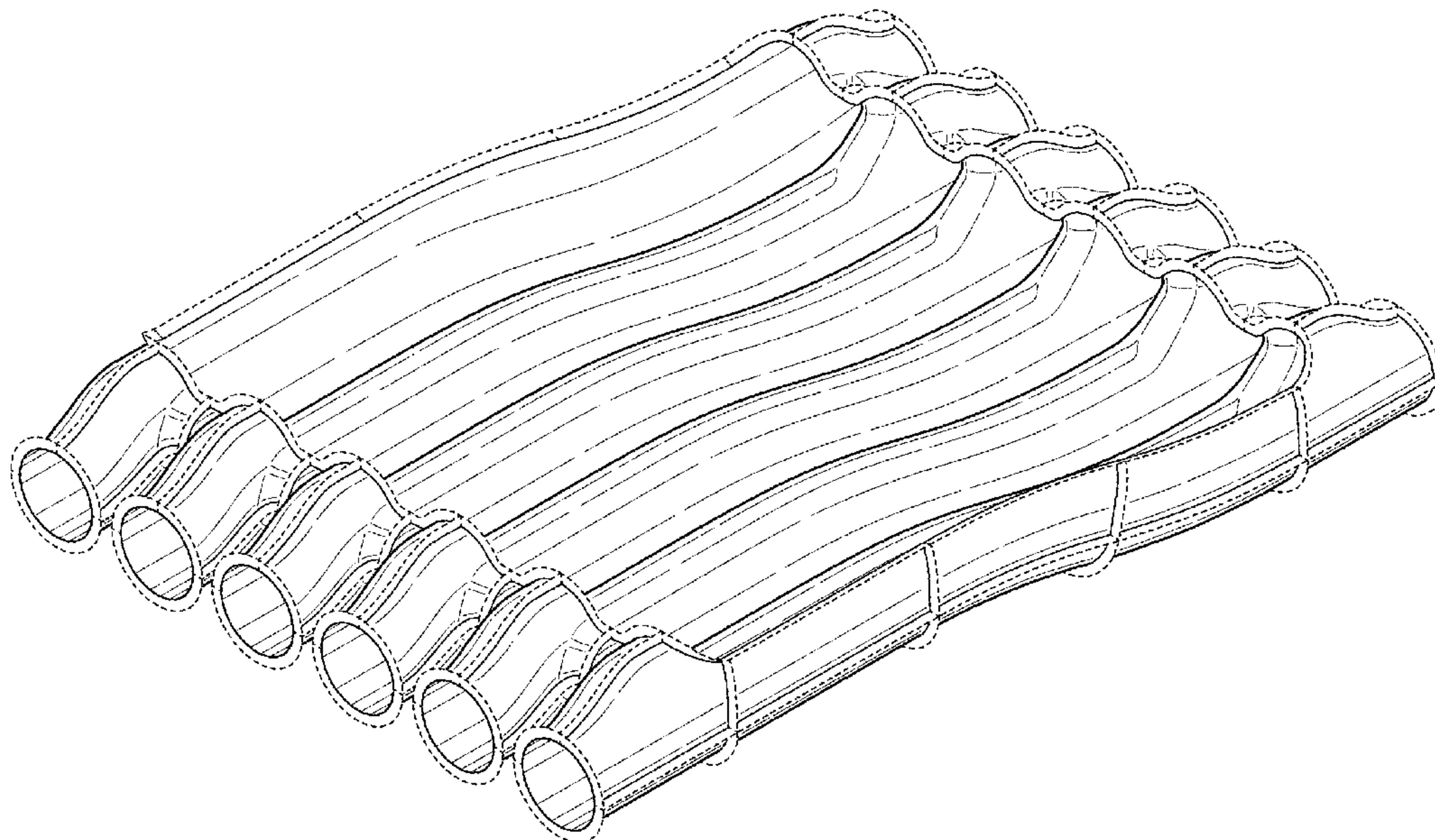
FIG. 5 is a left side view thereof;

FIG. 6 is a top view thereof; and,

FIG. 7 is a bottom view thereof.

The portions shown in broken lines do not form part of the design.

1 Claim, 5 Drawing Sheets



(56)

References Cited

U.S. PATENT DOCUMENTS

5,735,748 A * 4/1998 Meyers A63G 21/18
472/116
D460,511 S * 7/2002 Van Deusen D21/818
6,419,587 B1 * 7/2002 Geyer A63G 21/00
472/116
D619,186 S * 7/2010 Strall D21/818
D629,861 S * 12/2010 Cuttell D21/821
7,854,662 B2 * 12/2010 Braun A63G 21/18
472/117
D637,253 S * 5/2011 Hunter D21/819
D641,823 S * 7/2011 Hunter D21/819
D650,463 S 12/2011 Degirmenci
8,430,760 B2 * 4/2013 Brassard A63G 21/18
472/117
D743,497 S * 11/2015 Eroglu D21/818
D758,517 S * 6/2016 Gonzalez D21/818
9,486,711 B2 * 11/2016 Brassard A63G 21/18
D806,816 S * 1/2018 Forbes D21/818
D821,525 S * 6/2018 Green D21/814
10,046,245 B1 * 8/2018 Whincup A63G 31/02
D838,331 S * 1/2019 Ozsoz D21/819
D838,799 S * 1/2019 Ozsoz D21/819
D838,800 S * 1/2019 Ozsoz D21/819
10,166,483 B2 * 1/2019 Brassard A63G 21/18
D876,564 S * 2/2020 Hunter D21/819
D876,565 S 2/2020 Iqbal et al.
D892,960 S * 8/2020 Hunter D21/819
D903,804 S * 12/2020 Hunter D21/819
2006/0252563 A1 * 11/2006 Werner A63G 21/18
472/117
2007/0087849 A1 * 4/2007 Henry A63G 3/00
472/117
2007/0087850 A1 * 4/2007 Henry A63G 3/00
472/117
2009/0017927 A1 * 1/2009 Shozi A63G 21/18
472/117
2009/0143155 A1 * 6/2009 Werner A63G 21/18
472/117
2011/0287848 A1 * 11/2011 Bradley A63G 21/18
472/117
2017/0106295 A1 * 4/2017 Hunter A63G 21/18

OTHER PUBLICATIONS

Decision from the Turkish Re-examination and Evaluation Board regarding Turkish Design Registration No. 2018/01583 (2 pages).
Rejoinder Petition to the Turkish Re-examination and Evaluation Board regarding Turkish Design Registration No. 2018/01583 (13 pages).
First Examination Report for India Design Application No. 303452, (2 pages), dated Apr. 10, 2018.
First Examination Report for India Design Application No. 303453, (2 pages), dated Apr. 10, 2018.
First Examination Report for India Design Application No. 303454, (2 pages), dated Mar. 28, 2018.
First Examination Report for India Design Application No. 303455, (2 pages), dated Mar. 28, 2018.
First Examination Report for India Design Application No. 303456, (2 pages), dated Apr. 10, 2018.
First Examination Report for India Design Application No. 303457, (2 pages), dated Apr. 10, 2018.
First Examination Report for India Design Application No. 303458, (2 pages), dated Apr. 17, 2018.
T103 Form for Opposition against design registration publication, filed in counterpart Turkish Design Patent Application No. 2018/01583, dated May 24, 2018.
World Waterpark Magazine—Feb. 2009.
World Waterpark Magazine—Mar. 2009.

World Waterpark Magazine—Apr. 2009.
World Waterpark Magazine—Apr. 2010.
World Waterpark Magazine—May 2010.
World Waterpark Magazine—Jun. 2010.
World Waterpark Magazine—Jul.-Aug. 2010.
World Waterpark Magazine—Sep. 2010.
World Waterpark Magazine—Oct.-Nov. 2010.
World Waterpark Magazine—Dec. 2010.
World Waterpark Magazine—Jan. 2011.
World Waterpark Magazine—Feb. 2011.
World Waterpark Magazine—Mar. 2011.
World Waterpark Magazine—Apr. 2011.
World Waterpark Magazine—May 2011.
World Waterpark Magazine—Jun. 2011.
World Waterpark Magazine—Jul.-Aug. 2011.
World Waterpark Magazine—Sep. 2011.
World Waterpark Magazine—Oct.-Nov. 2011.
World Waterpark Magazine—Dec. 2011.
World Waterpark Magazine—Jan. 2012.
World Waterpark Magazine—Feb. 2012.
World Waterpark Magazine—Mar. 2012.
World Waterpark Magazine—Apr. 2012.
World Waterpark Magazine—May 2012.
World Waterpark Magazine—Jun. 2012.
World Waterpark Magazine—Jul.-Aug. 2012.
World Waterpark Magazine—Sep. 2012.
World Waterpark Magazine—Oct.-Nov. 2012.
World Waterpark Magazine—Dec. 2012.
World Waterpark Magazine—Jan. 2013.
World Waterpark Magazine—Feb. 2013.
World Waterpark Magazine—Mar. 2013.
World Waterpark Magazine—Apr. 2013.
World Waterpark Magazine—May 2013.
World Waterpark Magazine—Jun. 2013.
World Waterpark Magazine—Jul.-Aug. 2013.
World Waterpark Magazine—Sep. 2013.
World Waterpark Magazine—Oct.-Nov. 2013.
World Waterpark Magazine—Dec. 2013.
World Waterpark Magazine—Buyers Guide 2013-2014.
World Waterpark Magazine—Jan. 2014.
World Waterpark Magazine—Feb. 2014.
World Waterpark Magazine—Mar. 2014.
World Waterpark Magazine—Apr. 2014.
World Waterpark Magazine—May 2014.
World Waterpark Magazine—Jun. 2014.
World Waterpark Magazine—Jul.-Aug. 2014.
World Waterpark Magazine—Sep. 2014.
World Waterpark Magazine—Oct.-Nov. 2014.
World Waterpark Magazine—Dec. 2014.
World Waterpark Magazine—Buyers Guide 2014-2015.
World Waterpark Magazine—Jan. 2015.
World Waterpark Magazine—Feb. 2015.
World Waterpark Magazine—Mar. 2015.
<https://www.youtube.com/watch?v=qNI38jl5cAE>; Kraken RACER Waterslide Promo // 2015.
<https://www.youtube.com/watch?v=3okWFXPJRhY>; Mantis Waterslide by Polin Waterparks—Engineered to Thrill (2017).
<https://blooloop.com/technology/news/proslides-krakenracer-mat-racer-water-ride-at-six-flags-noahs-ark-and-lake-compounce/>; ProSlide's KrakenRACER Mat Racer Water Ride at Six Flags, Noah's Ark and Lake Compounce Blooloop (Jul. 31, 2012).
<https://www.leisureopportunities.co.uk/news/IAAPA-2015:-Innovative-rides-win-accolades-at-IAAPA/319399>; IAAPA 2015: Innovative rides win accolades at IAAPA (Nov. 20, 2015).
<https://www.splashway.com/worlds-first-dueling-hybrid-water-coaster/>; The World's First Dueling Hybrid Water Coaster.
Appeal Petition filed in opposition proceeding in counterpart Turkish Design application No. 2018/01583.

* cited by examiner

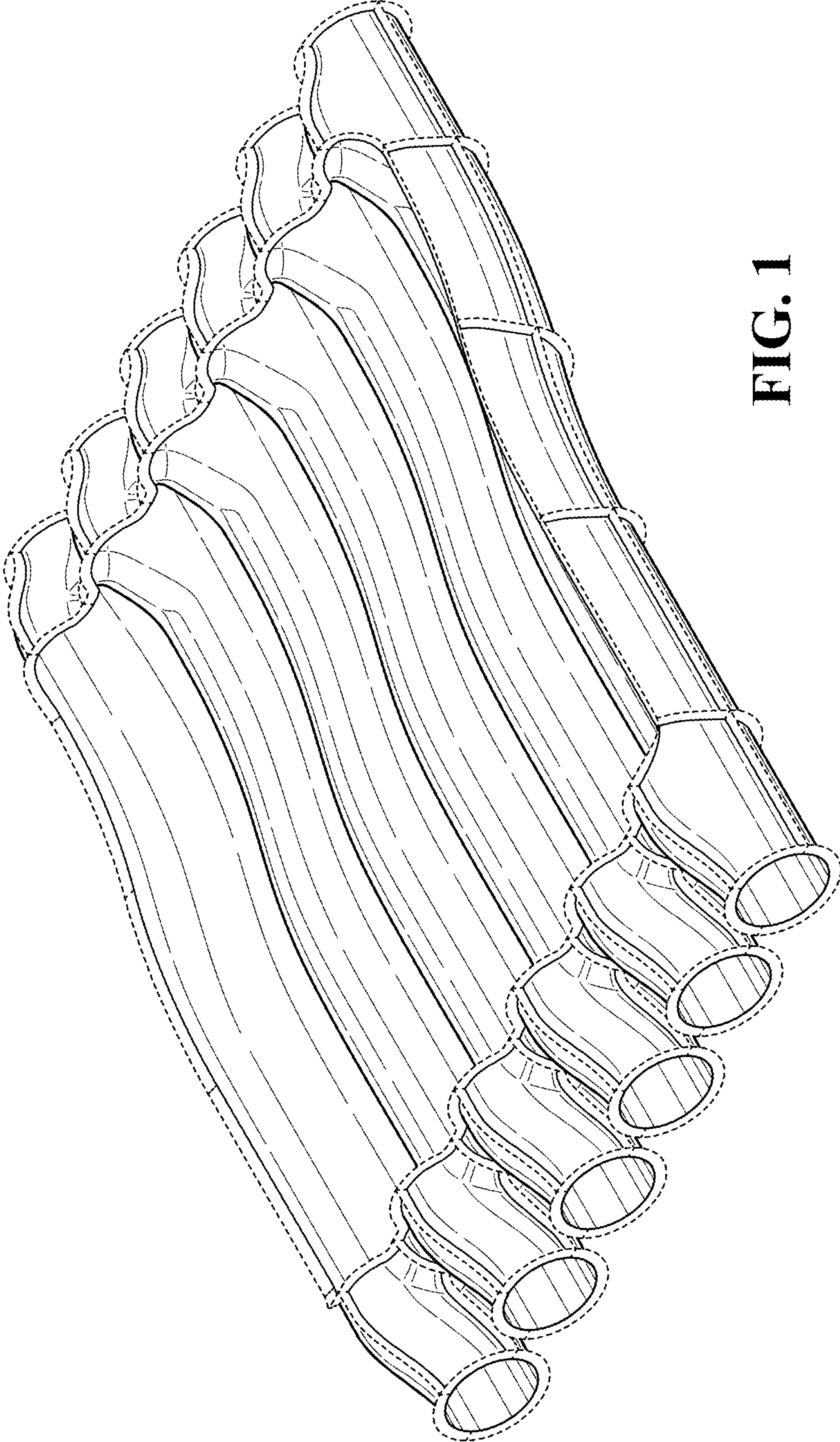


FIG. 1

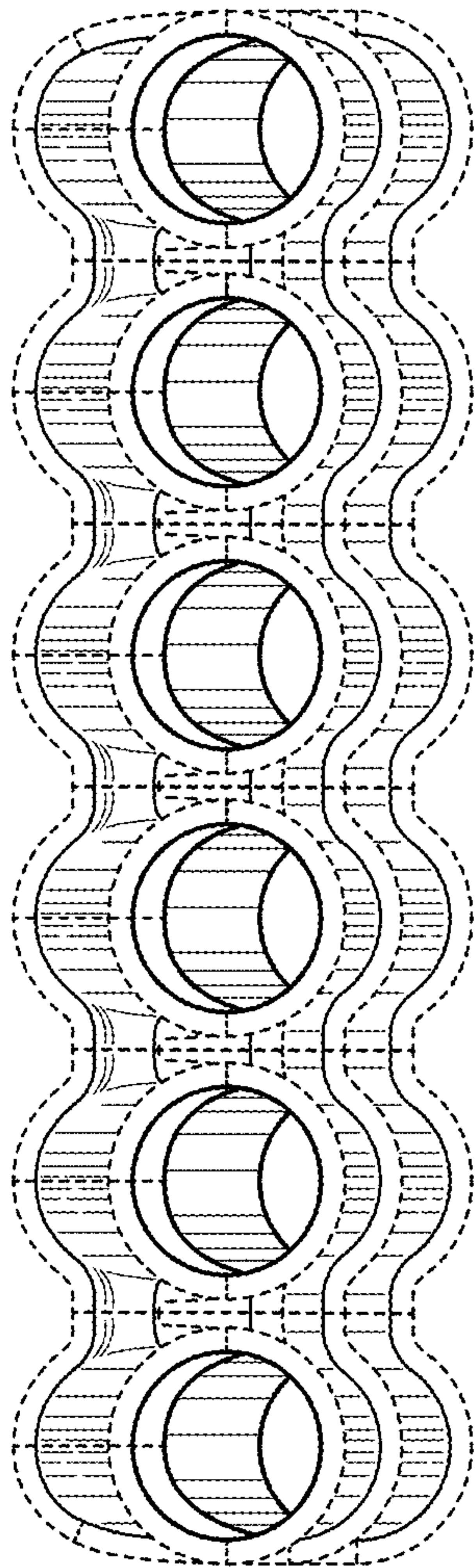


FIG. 2

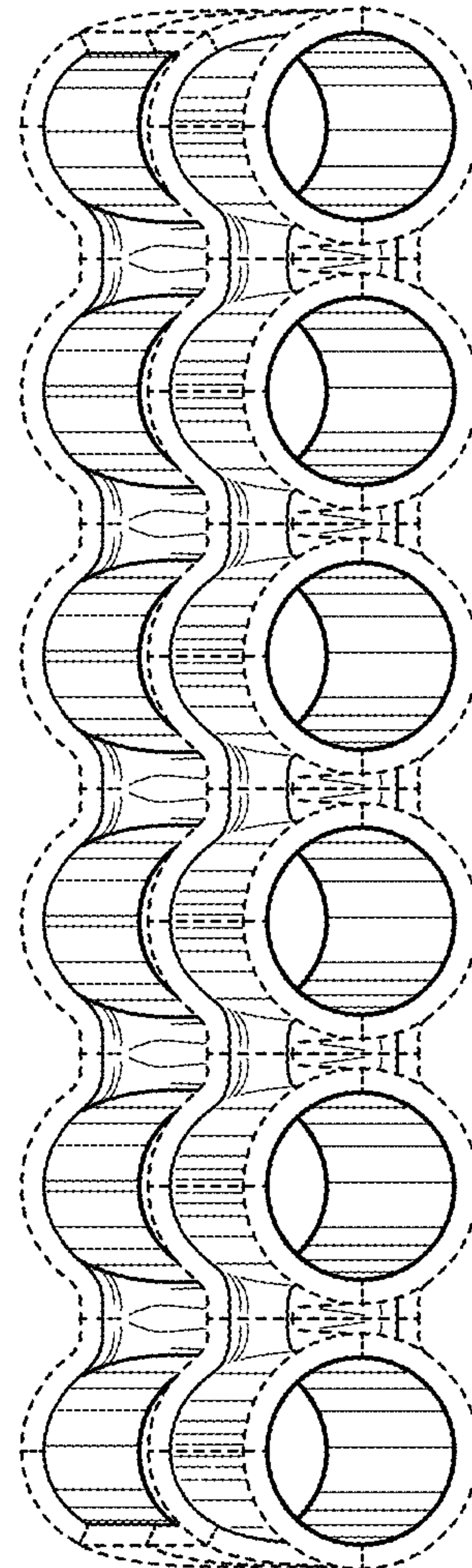


FIG. 3

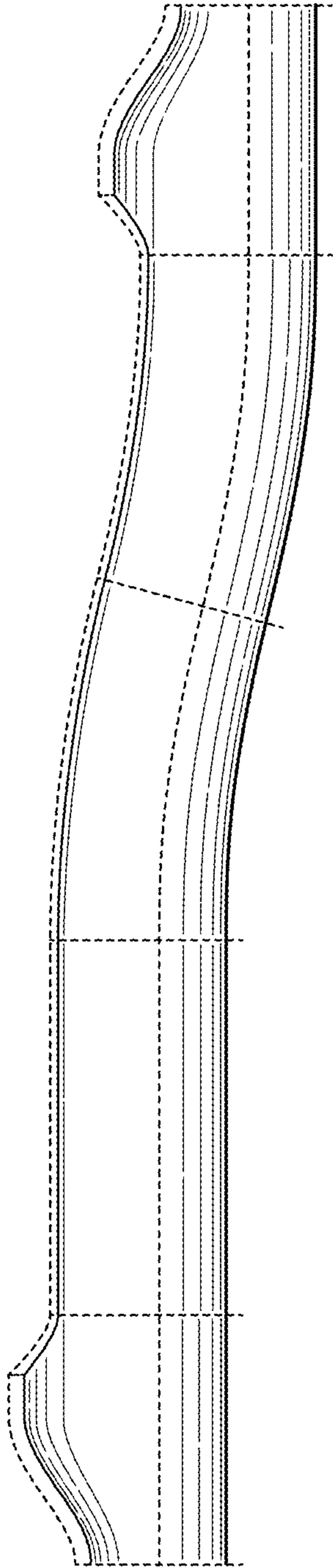


FIG. 4

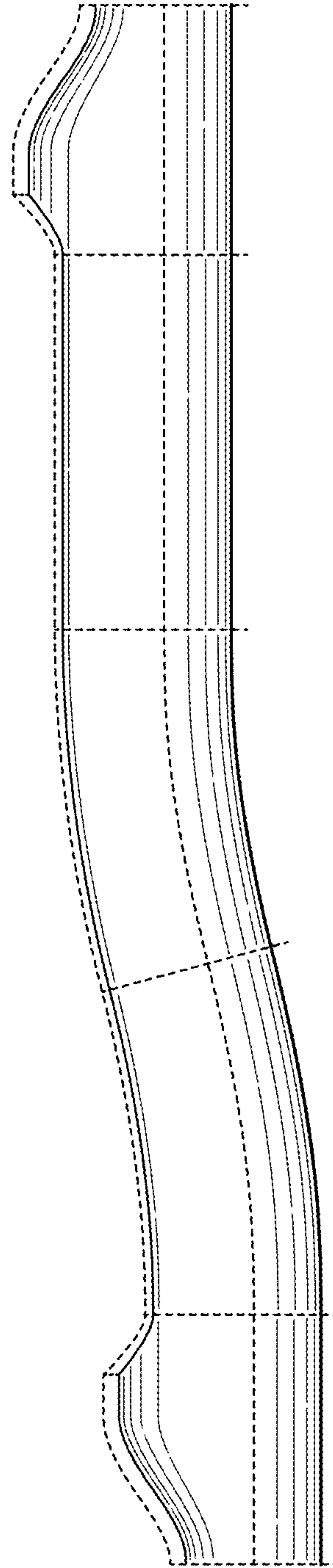


FIG. 5

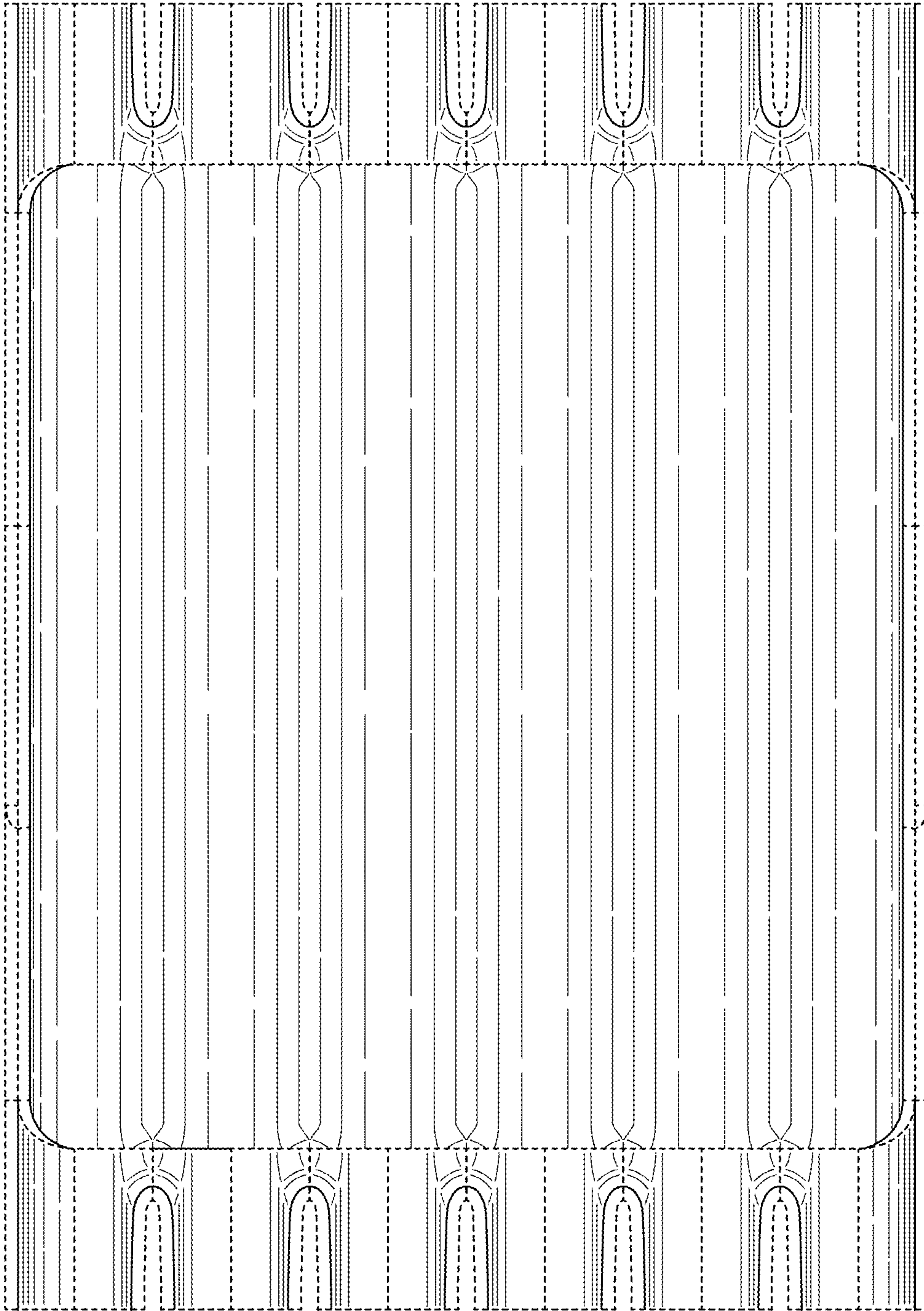


FIG. 6

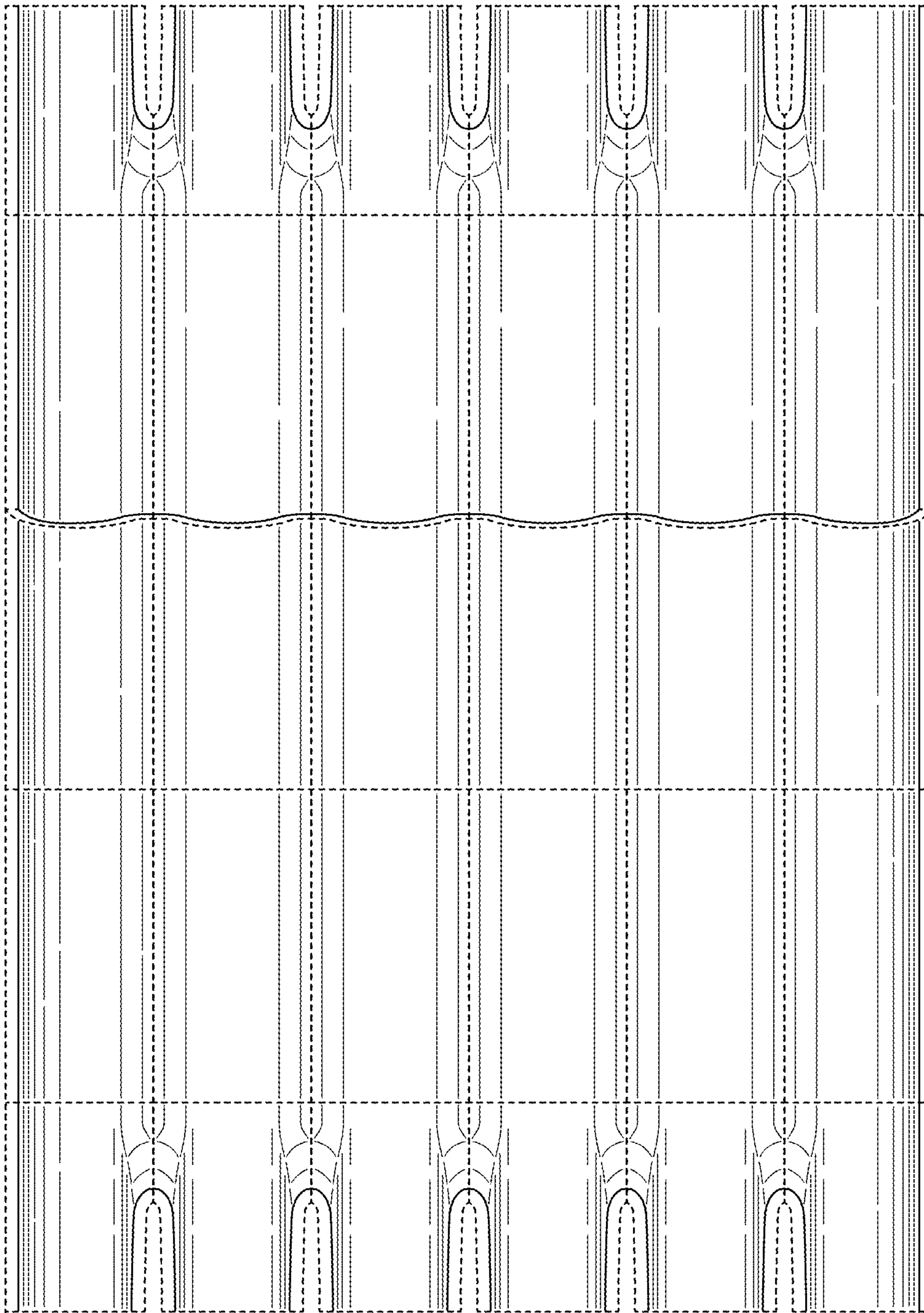


FIG. 7