



US00D951381S

(12) **United States Design Patent** (10) **Patent No.:** **US D951,381 S**
Wang (45) **Date of Patent:** **** May 10, 2022**

(54) **BUCKLE FOR TRAMPOLINE**

FOREIGN PATENT DOCUMENTS

(71) Applicant: **Youping Wang**, Yongkang (CN)

CN 303935360 * 11/2016
KR 301051549.0000 * 3/2020

(72) Inventor: **Youping Wang**, Yongkang (CN)

(**) Term: **15 Years**

OTHER PUBLICATIONS

(21) Appl. No.: **29/730,331**

JIUMEI 20PCS Plastic C Clamp for Camping Awning Tent Poles, first available Jul. 27, 2021, amazon.com [online], site visited Oct. 29, 2021], Available from internet URL: <https://ebay.to/2XVH7pW> (Year: 2021).*

(22) Filed: **Apr. 3, 2020**

Tent Pole Clip, first available Nov. 8, 2020, amazon.com [online], site visited Oct. 29, 2021], Available from internet URL: <https://bit.ly/3mqOkF> (Year: 2020).*

(51) **LOC (13) Cl.** **21-02**

(52) **U.S. Cl.**
USPC **D21/797**

(58) **Field of Classification Search**
USPC D21/797; D8/14, 19, 35, 89, 356, 367,
D8/394-396; D11/212, 218; D6/329
CPC A63B 1/00; A63B 5/11; A63B 21/0557;
F16B 45/00
See application file for complete search history.

* cited by examiner

Primary Examiner — Janice Patyk

Assistant Examiner — Salamah Jordan

(74) *Attorney, Agent, or Firm* — Bayramoglu Law Offices LLC

(56) **References Cited**

(57) **CLAIM**

U.S. PATENT DOCUMENTS

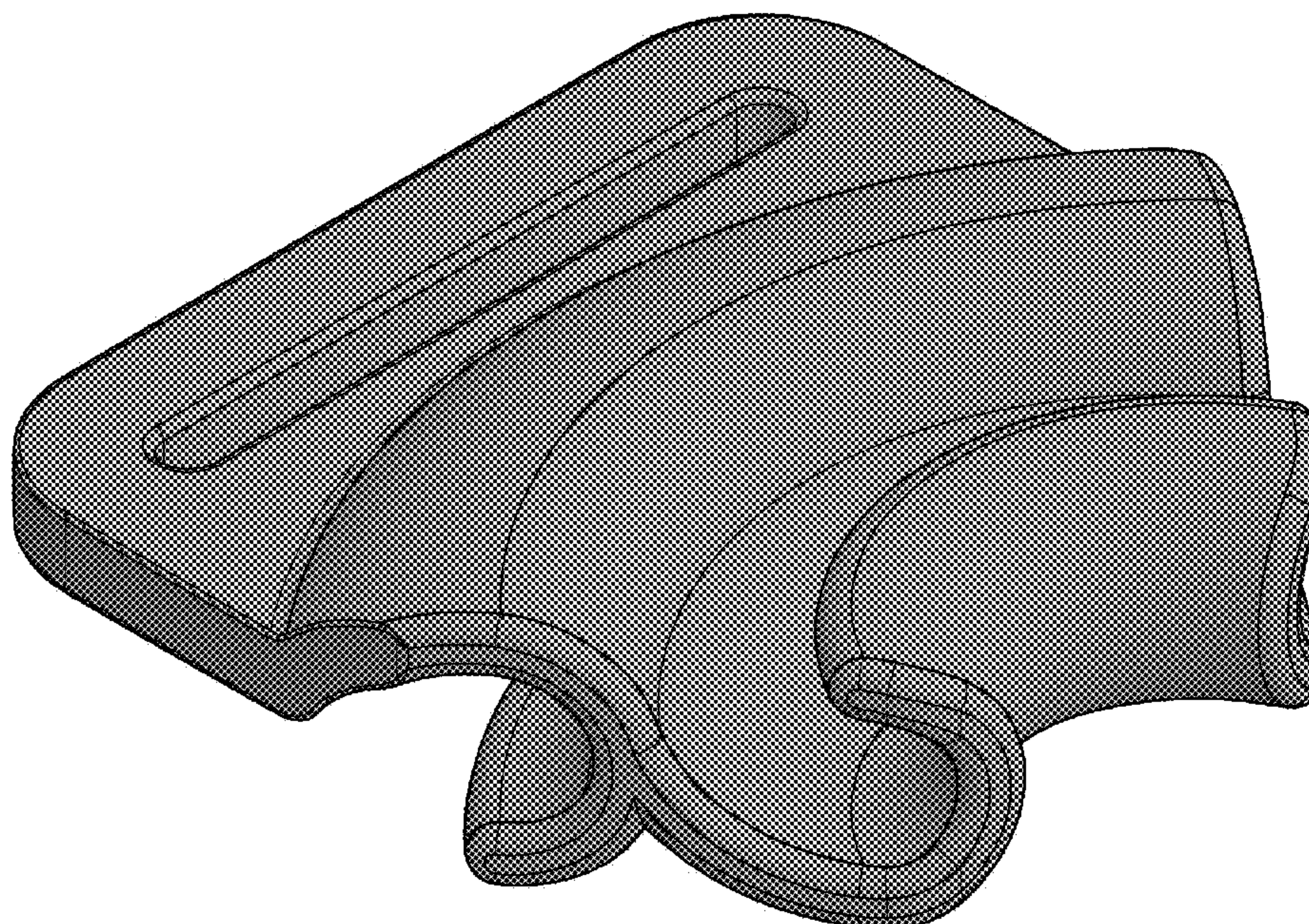
The ornamental design for a buckle for trampoline, as shown and described.

D614,995	S	*	5/2010	Pontaoe	D11/212
D646,557	S	*	10/2011	Chan	D8/367
D670,601	S	*	11/2012	Paik	D11/218
D682,663	S	*	5/2013	Evon	D8/367
D691,027	S	*	10/2013	Rainer	D8/356
D729,046	S	*	5/2015	Paik	D8/367
D765,494	S	*	9/2016	Chan	D8/356
D892,959	S	*	8/2020	Ji	D21/797
2010/0009812	A1	*	1/2010	Pieper Genannt Schmauck	A63B 5/11 482/27
2016/0096056	A1	*	4/2016	de Boer	A63B 5/11 482/27
2016/0271436	A1	*	9/2016	Heymans	A63B 5/11
2016/0296782	A1	*	10/2016	Dai	A63B 21/0557
2017/0350154	A1	*	12/2017	Chan	F16B 45/00
2018/0353789	A1	*	12/2018	Tseng	A63B 1/00

DESCRIPTION

FIG. 1 is a front view of a buckle for trampoline showing my new design;
FIG. 2 is a back view thereof;
FIG. 3 is a top view thereof;
FIG. 4 is a bottom view thereof;
FIG. 5 is a left-side view thereof;
FIG. 6 is a right-side view thereof; and,
FIG. 7 is a perspective view thereof.

1 Claim, 7 Drawing Sheets



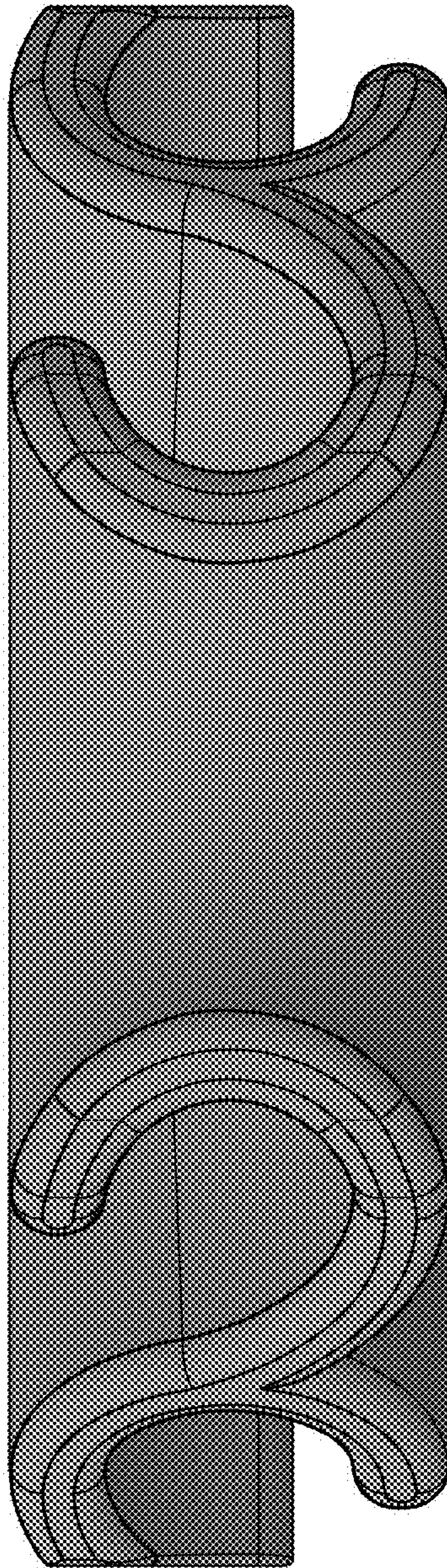


FIG. 1

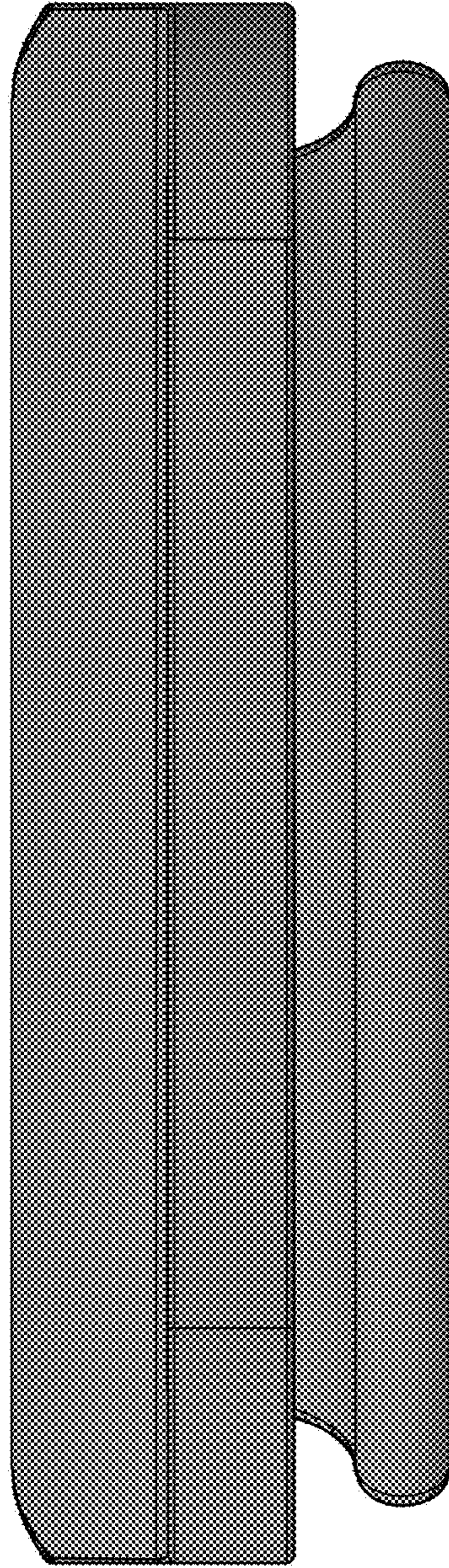


FIG. 2

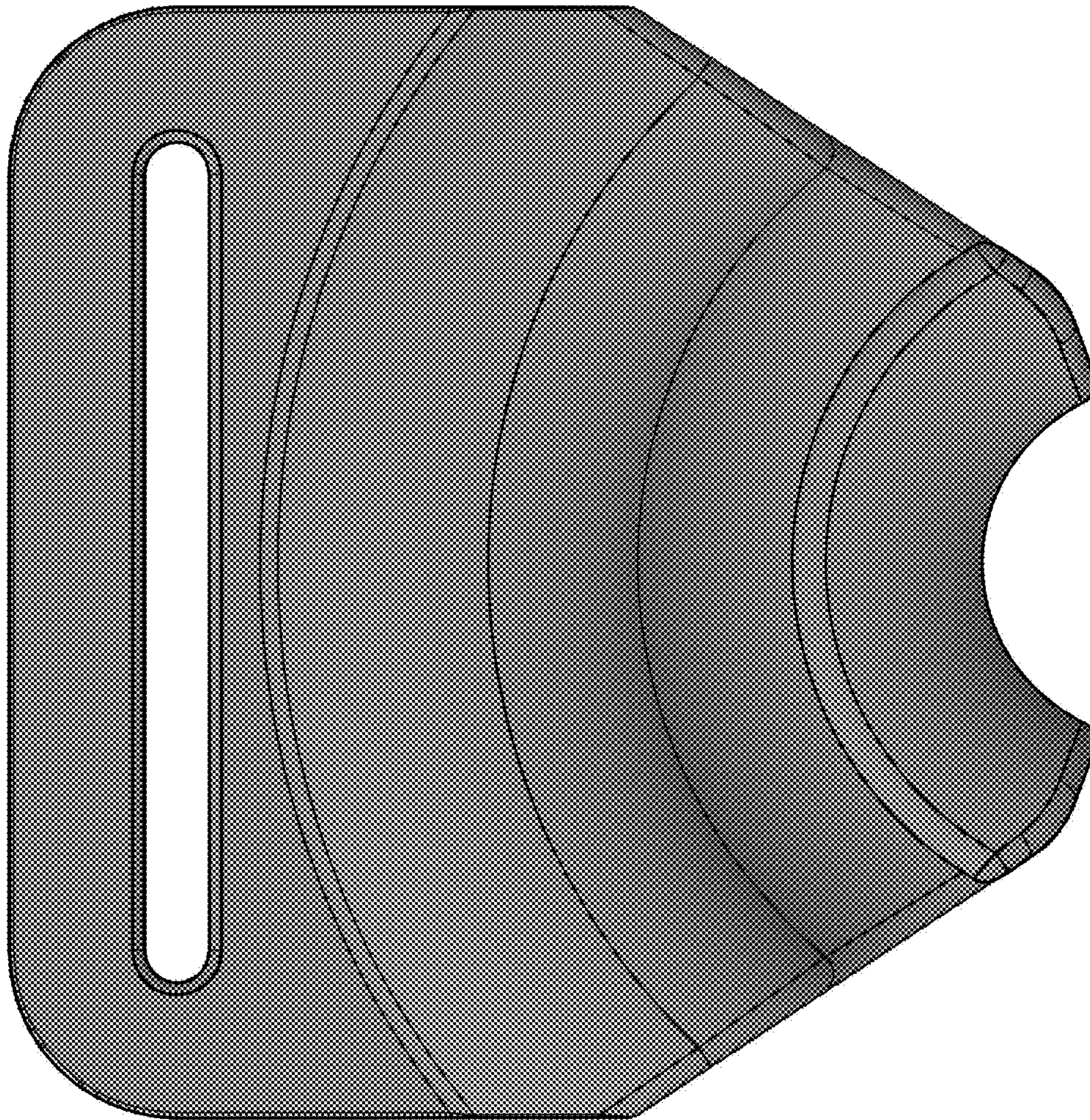


FIG. 3

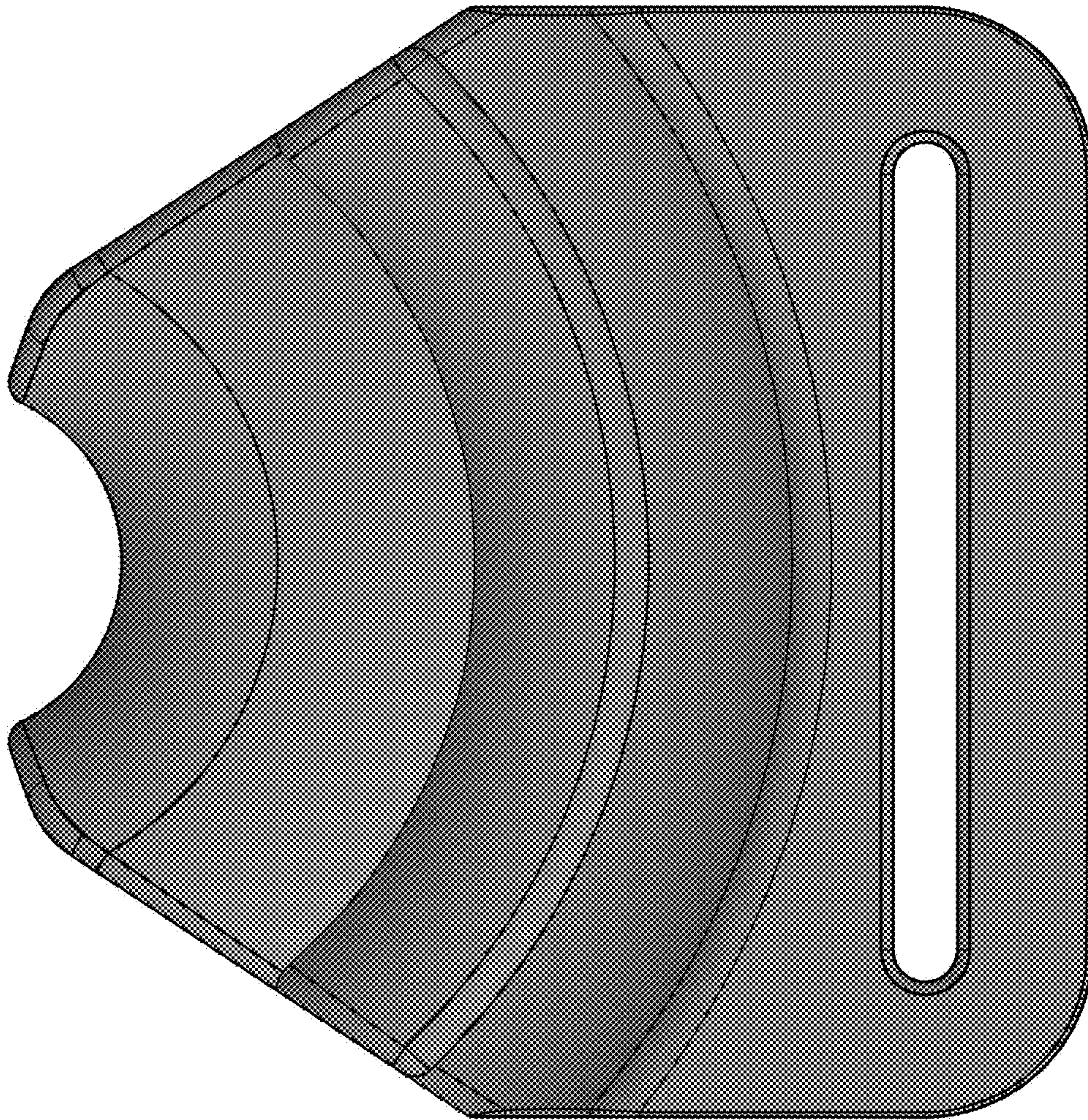


FIG. 4

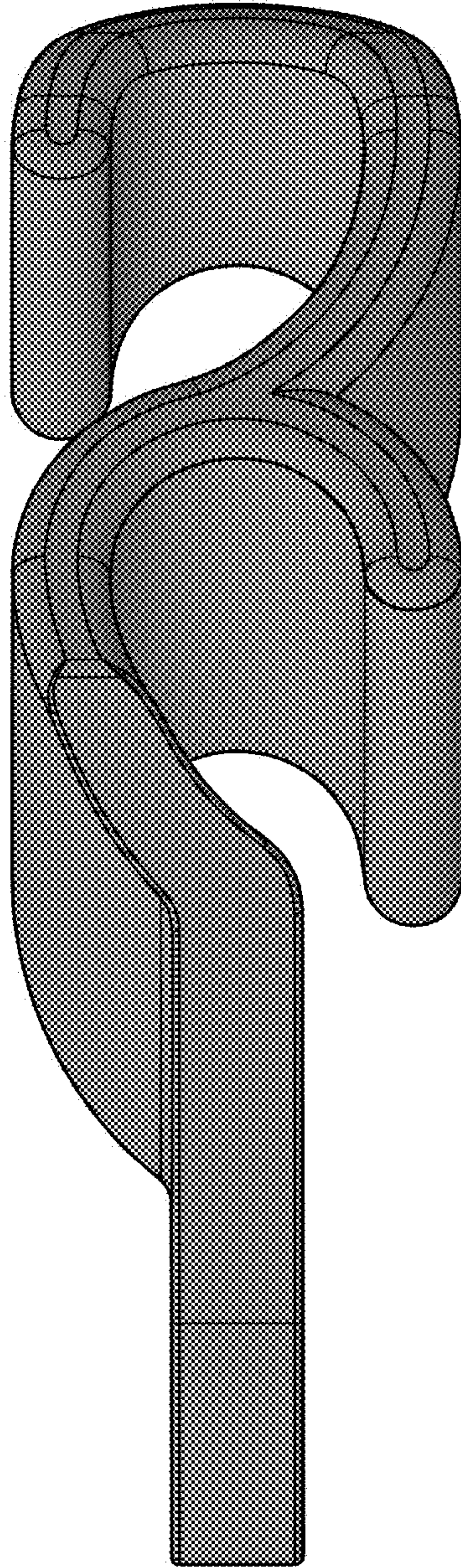


FIG. 5

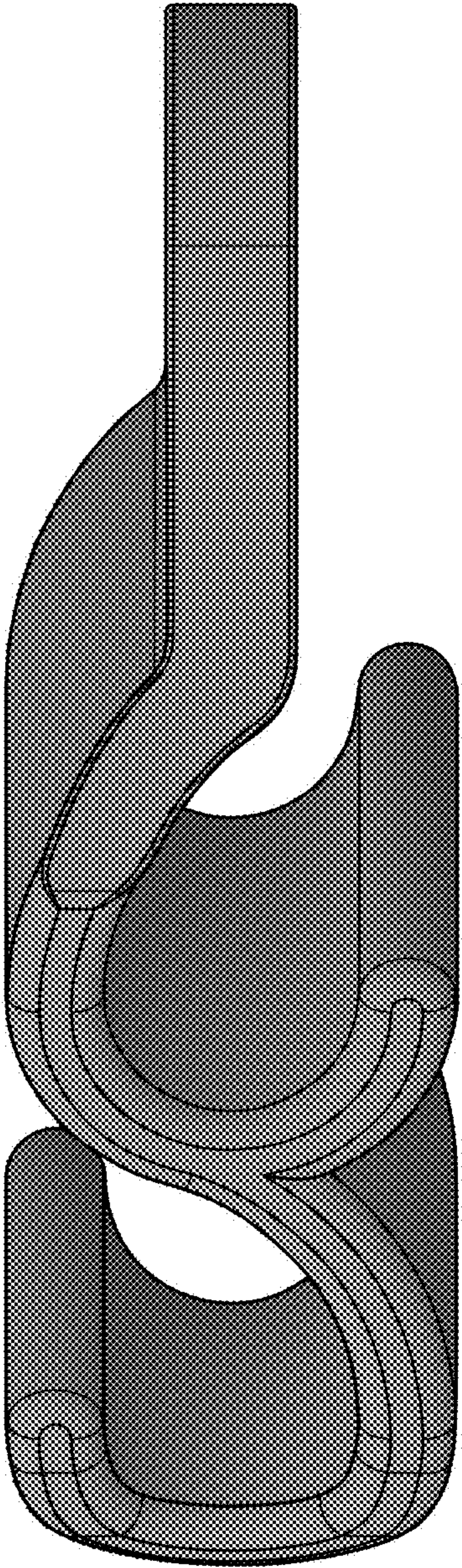


FIG. 6

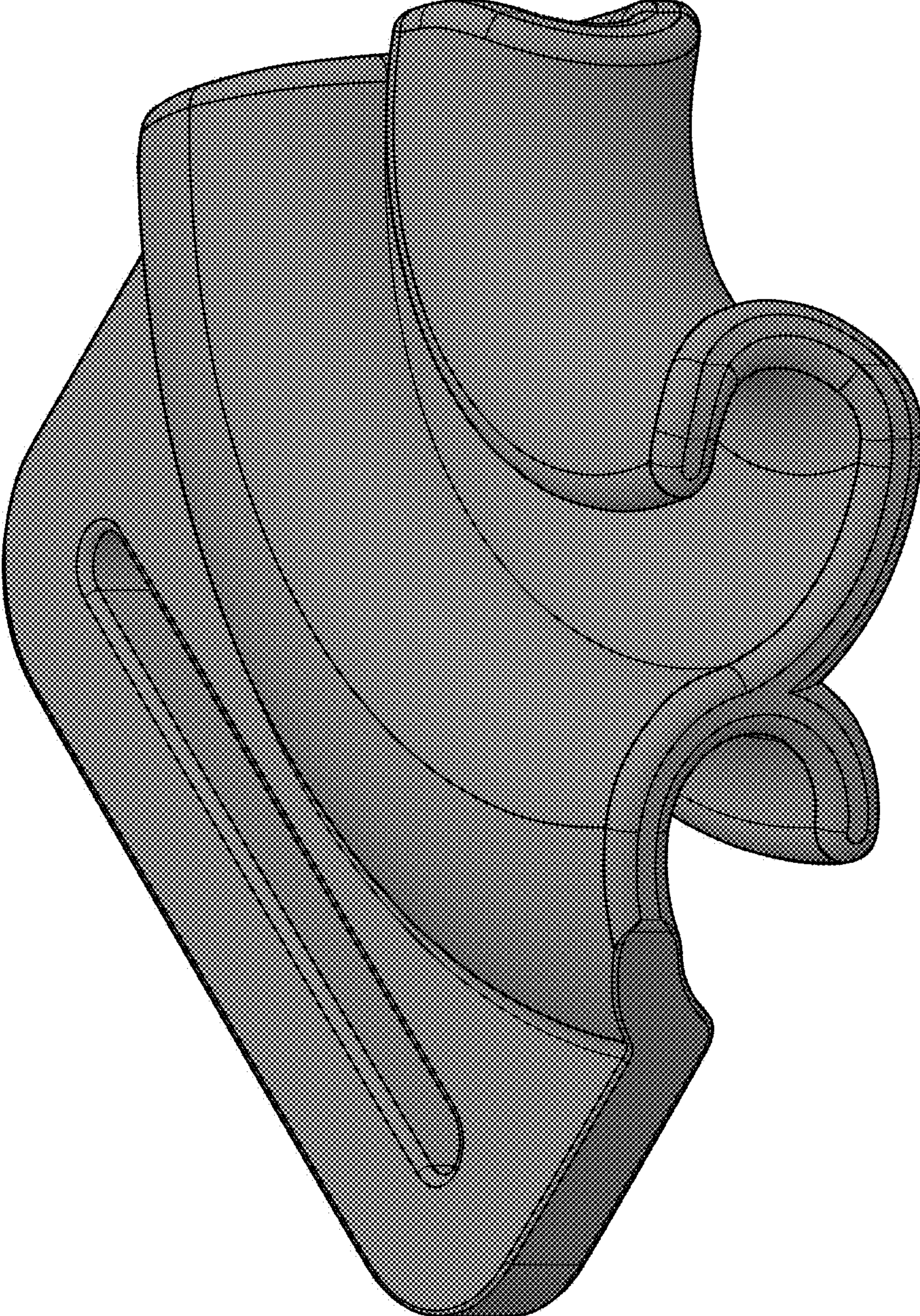


FIG. 7