



US00D951380S

(12) **United States Design Patent**
Serrano

(10) **Patent No.:** **US D951,380 S**

(45) **Date of Patent:** **** May 10, 2022**

(54) **GOLF CLUB HEAD**

Primary Examiner — Mitchell I. Siegel

(71) Applicant: **KARSTEN MANUFACTURING CORPORATION**, Phoenix, AZ (US)

(57) **CLAIM**

The ornamental design for a golf club head, as shown and described.

(72) Inventor: **Anthony D. Serrano**, Phoenix, AZ (US)

DESCRIPTION

(73) Assignee: **Karsten Manufacturing Corporation**, Phoenix, AZ (US)

FIG. 1 is a top perspective view of a first embodiment of a golf club head;

(**) Term: **15 Years**

FIG. 2 is a bottom perspective view of the golf club head of FIG. 1;

(21) Appl. No.: **29/746,054**

FIG. 3 is a top view of the golf club head of FIG. 1;

(22) Filed: **Aug. 11, 2020**

FIG. 4 is a bottom view of the golf club head of FIG. 1;

(51) **LOC (13) Cl.** **21-02**

FIG. 5 is a front view of the golf club head of FIG. 1;

(52) **U.S. Cl.**

FIG. 6 is a rear view of the golf club head of FIG. 1;

USPC **D21/743**

FIG. 7 is a toe side view of the golf club head of FIG. 1;

(58) **Field of Classification Search**

FIG. 8 is a heel side view of the golf club head of FIG. 1;

USPC **D21/736-746, 759**

FIG. 9 is a top perspective view of a second embodiment of the golf club head;

(Continued)

FIG. 10 is a bottom perspective view of the golf club head of FIG. 9;

(56) **References Cited**

U.S. PATENT DOCUMENTS

D212,890 S 12/1968 Rose
3,652,094 A 3/1972 Glover

(Continued)

FIG. 11 is a top view of the golf club head of FIG. 9;

FIG. 12 is a bottom view of the golf club head of FIG. 9;

FIG. 13 is a front view of the golf club head of FIG. 9;

FIG. 14 is a rear view of the golf club head of FIG. 9;

FIG. 15 is a toe side view of the golf club head of FIG. 9;

FIG. 16 is a heel side view of the golf club head of FIG. 9

FIG. 17 is a top perspective view of a third embodiment of the golf club head;

FOREIGN PATENT DOCUMENTS

CN 2920325 Y 7/2007
CN 103252065 A 8/2013

(Continued)

FIG. 18 is a bottom perspective view of the golf club head of FIG. 17;

FIG. 19 is a top view of the golf club head of FIG. 17;

FIG. 20 is a bottom view of the golf club head of FIG. 17;

FIG. 21 is a front view of the golf club head of FIG. 17;

FIG. 22 is a rear view of the golf club head of FIG. 17;

FIG. 23 is a toe side view of the golf club head of FIG. 17;

and,

FIG. 24 is a heel side view of the golf club head of FIG. 17.

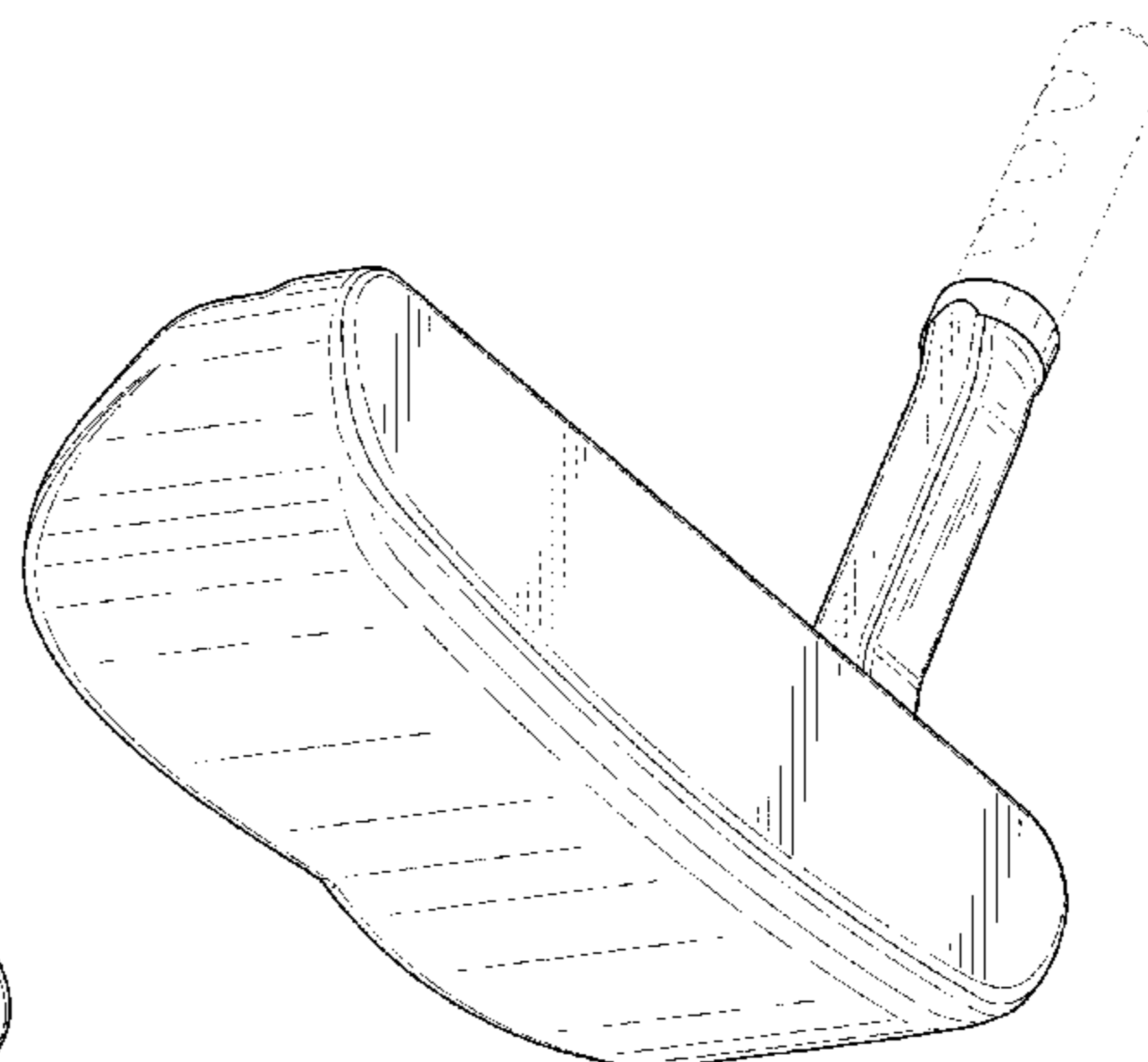
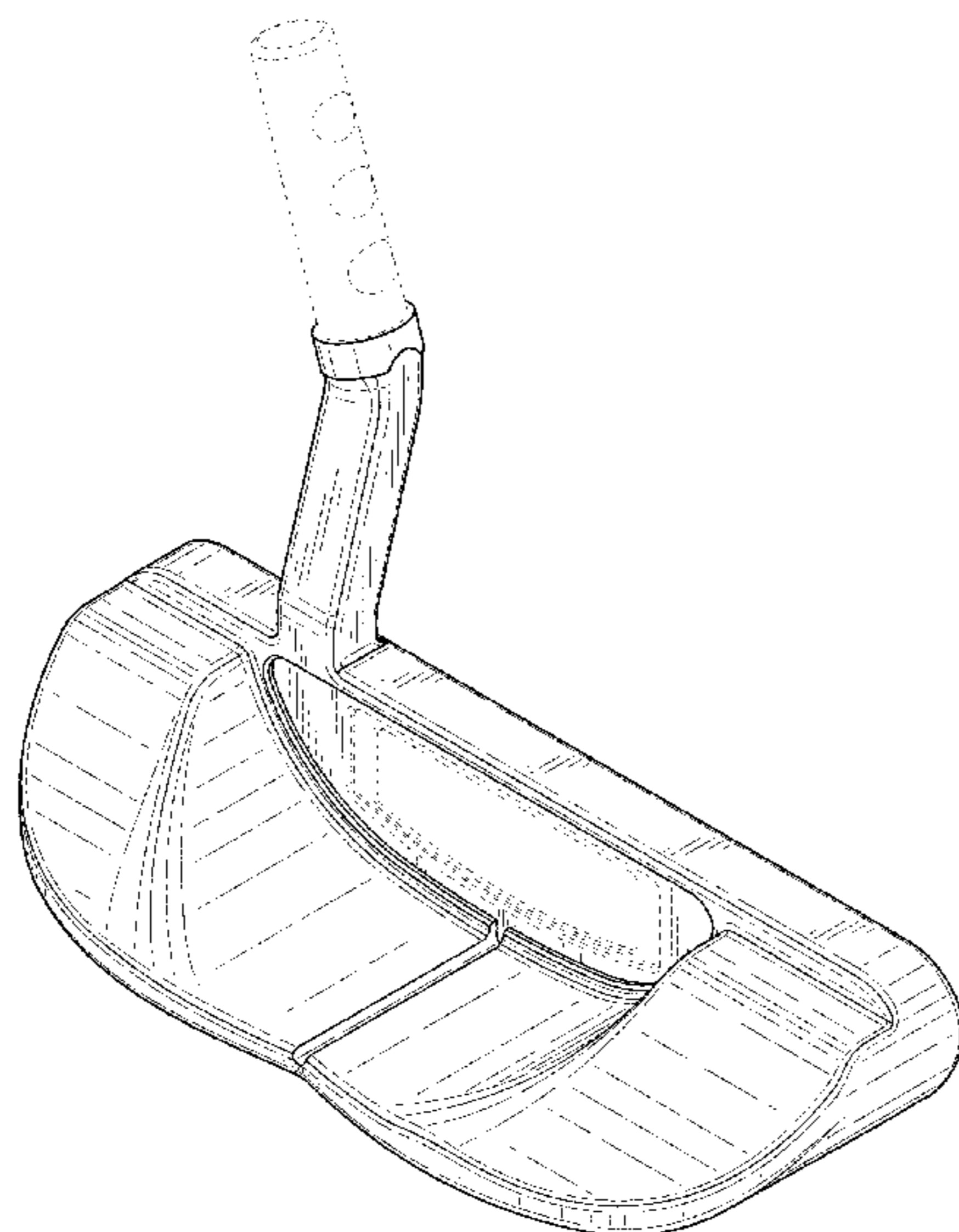
The broken lines shown form no part of the claimed design.

OTHER PUBLICATIONS

Odyssey Works Tank Cruiser #1w, <http://www.pgatoursuperstore.com/odyssey-works-tankcruiser-1w/1000000005200.jsp> , Date Accessed: Dec. 14, 2016.

(Continued)

1 Claim, 18 Drawing Sheets



(58) **Field of Classification Search**
 CPC A63B 53/00; A63B 53/04; A63B 53/007;
 A63B 53/065; A63B 53/0487; A63B
 60/00; A63B 60/46
 See application file for complete search history.

(56) **References Cited**

U.S. PATENT DOCUMENTS

3,884,477	A	5/1975	Bianco	
4,030,766	A	6/1977	Derr	
D255,373	S *	6/1980	Solheim	D21/743
D303,276	S	9/1989	Oakleaf	
4,869,507	A	9/1989	Sahm	
D316,129	S	4/1991	Bryson	
D341,405	S *	11/1993	Solheim	D21/743
5,275,412	A	1/1994	Innes	
5,685,784	A	11/1997	Butler	
5,746,664	A	5/1998	Reynolds, Jr.	
D396,258	S	7/1998	Sheets	
D396,081	S	12/1998	Sheets	
D402,343	S	12/1998	Helmstetter	
D420,079	S	2/2000	Frazetta	
6,048,275	A	4/2000	Gedeon	
D428,457	S	7/2000	Rollinson	
6,159,108	A	12/2000	De La Pena	
6,273,831	B1	8/2001	Dewanjee	
6,379,259	B1	4/2002	Opie	
6,558,268	B2 *	5/2003	Tindale	A63B 53/0487 473/244
D488,526	S	4/2004	Souza	
D500,109	S	12/2004	Solheim	
D500,110	S	12/2004	Solheim	
6,837,801	B1	1/2005	Souza	
6,878,071	B1	4/2005	Schweiger	
6,893,355	B2	5/2005	Souza	
6,902,496	B2	6/2005	Solheim	
D507,612	S	7/2005	Souza	
6,926,615	B1	8/2005	Souza	
D511,802	S	11/2005	Cameron	
6,960,140	B2	11/2005	Solheim	
6,966,845	B2	11/2005	Solheim	
D514,181	S	1/2006	Cameron	
D520,584	S	5/2006	Karlsen	
D521,582	S	5/2006	Souza	
7,052,411	B2	5/2006	Solheim	
D522,598	S	6/2006	Solheim	
7,077,758	B2	7/2006	Rohrer	
7,086,957	B2	8/2006	Solheim	
D527,777	S	9/2006	Solheim	
D529,108	S	9/2006	Stites	
D532,847	S	11/2006	Rollinson	
D533,243	S	12/2006	Fife	
7,235,021	B2	6/2007	Solheim	
D548,295	S	8/2007	Jertson	
7,255,650	B2	8/2007	Bryant	
D552,197	S	10/2007	Wells	
D565,137	S	3/2008	Oldknow	
D569,462	S	5/2008	Rollinson	
7,371,185	B1	5/2008	Rohrer	
D574,910	S *	8/2008	Jones	D21/743
D581,473	S	11/2008	Thomas	
D583,003	S	12/2008	Solheim	
D587,325	S	2/2009	Solheim	
D595,372	S	6/2009	Rollinson	
D599,869	S *	9/2009	Serrano	D21/736

D600,760	S	9/2009	Serrano	
D600,761	S	9/2009	Solheim	
D600,762	S	9/2009	Serrano et al.	
7,601,076	B2	10/2009	Rollinson	
D604,782	S	11/2009	Franklin	
D607,950	S	1/2010	Souza	
D621,458	S	8/2010	Serrano	
D621,460	S	8/2010	Serrano	
D621,461	S	8/2010	Serrano	
D621,462	S	8/2010	Serrano	
D621,891	S	8/2010	Serrano	
7,803,066	B2	9/2010	Solheim	
D624,978	S *	10/2010	Rollinson	D21/743
7,815,515	B1	10/2010	Hunt	
D635,625	S	4/2011	Rollinson	
D638,891	S	5/2011	Nicolette	
D640,341	S	6/2011	Foster et al.	
D641,441	S *	7/2011	Hilton	D21/743
D643,080	S	8/2011	Serrano	
D643,485	S	8/2011	Nicolette	
D643,486	S	8/2011	Serrano	
D643,487	S	8/2011	Serrano	
D644,703	S *	9/2011	Serrano	D21/743
8,100,779	B2	1/2012	Solheim	
D653,718	S	2/2012	Stokke	
8,109,838	B2	2/2012	Solheim	
8,128,505	B2	3/2012	Tryner et al.	
D664,617	S	7/2012	Serrano	
D720,022	S	12/2014	Rollinson	
D720,023	S	12/2014	Rollinson	
D759,172	S *	6/2016	Rollinson	D21/743
D759,173	S	6/2016	Rollinson	
D769,996	S	10/2016	Abbott	
9,526,952	B1 *	12/2016	Dacey	A63B 53/0487
D796,599	S *	9/2017	Serrano	D21/743
D796,601	S	9/2017	Serrano	
2003/0083149	A1	5/2003	Scarpa et al.	
2005/0170904	A1	8/2005	Smeeth	
2006/0089206	A1	4/2006	Lo	
2006/0094533	A1	5/2006	Warren	
2006/0166755	A1	7/2006	Brown	
2007/0010348	A1	1/2007	Jung	
2007/0191135	A1	8/2007	Nilsson	
2008/0045353	A1	2/2008	Lo et al.	
2008/0096686	A1	4/2008	Bikhu	
2009/0270198	A1	10/2009	Solheim et al.	
2009/0305806	A1	12/2009	Campadore et al.	
2009/0305807	A1	12/2009	Solheim et al.	
2010/0048321	A1	2/2010	Beach et al.	
2010/0222155	A1	9/2010	Jones et al.	
2010/0227704	A1	9/2010	Souza	
2012/0115628	A1	5/2012	Woods	
2014/0179459	A1	6/2014	Schartiger et al.	
2015/0360099	A1	12/2015	Ban et al.	

FOREIGN PATENT DOCUMENTS

GB	2133295	A	7/1984
JP	2001137400	A	5/2001

OTHER PUBLICATIONS

Cx1, <http://cureputters.com/products/cx1> , Date Accessed: Dec. 13, 2016.

* cited by examiner

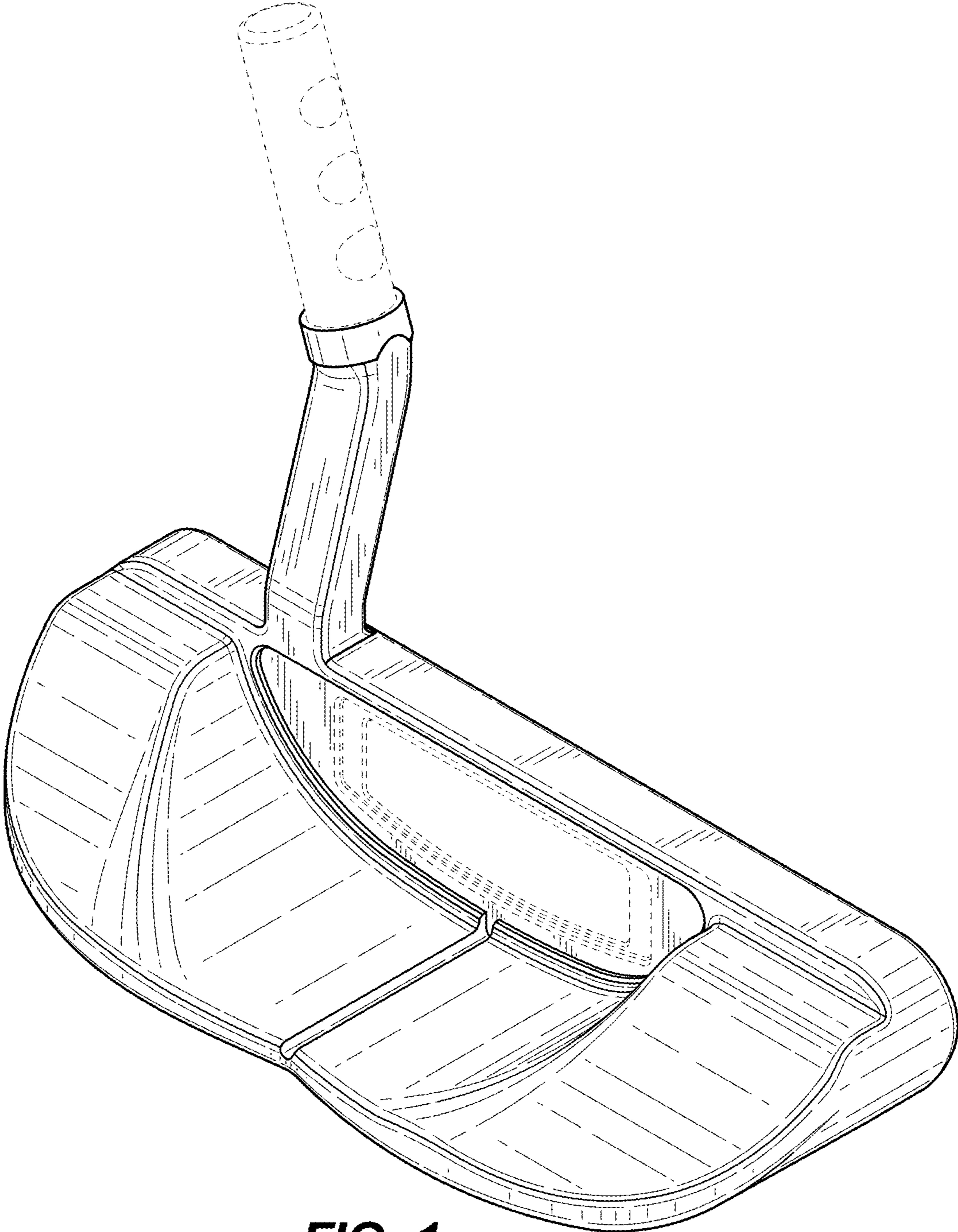


FIG. 1

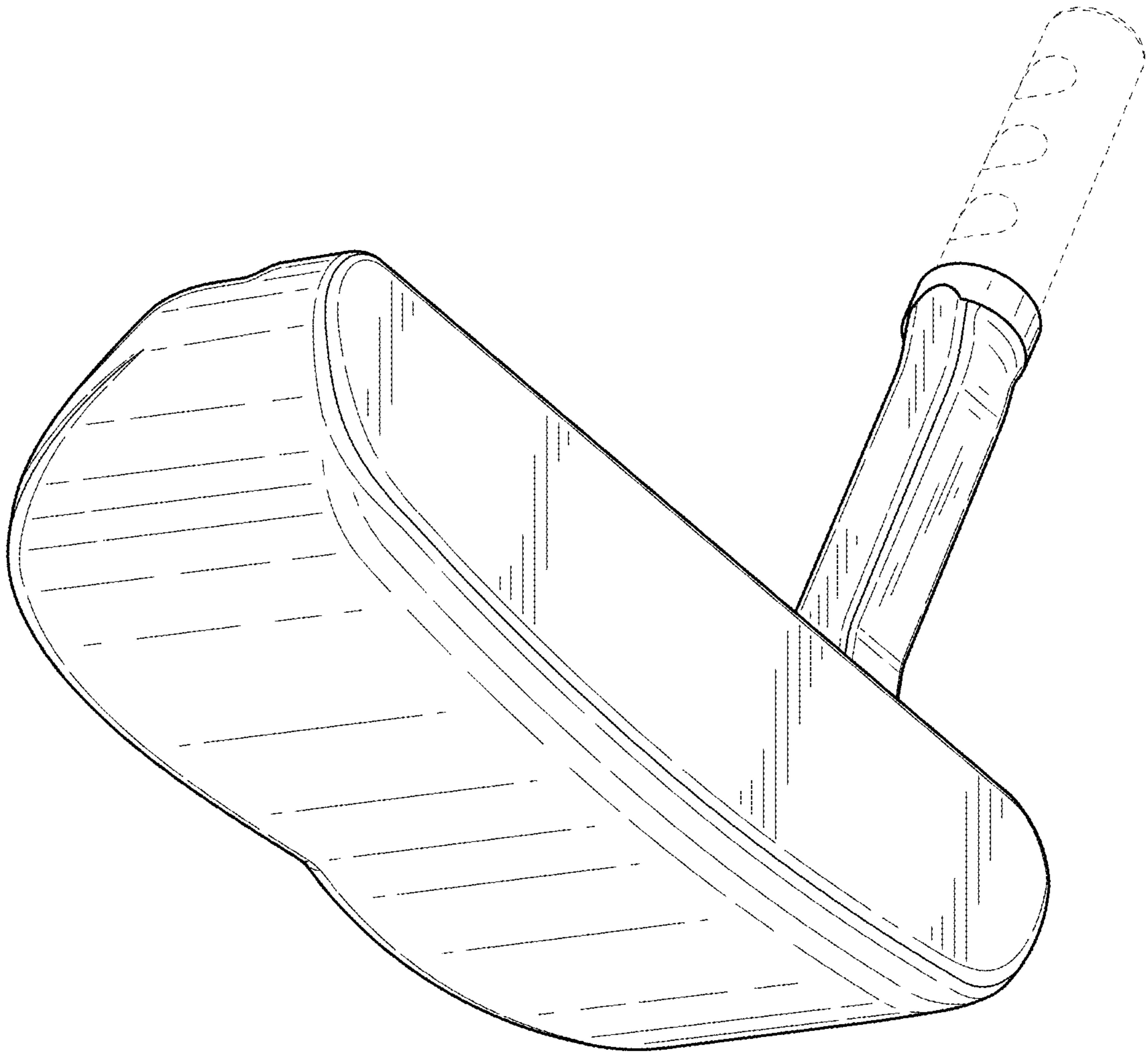


FIG. 2

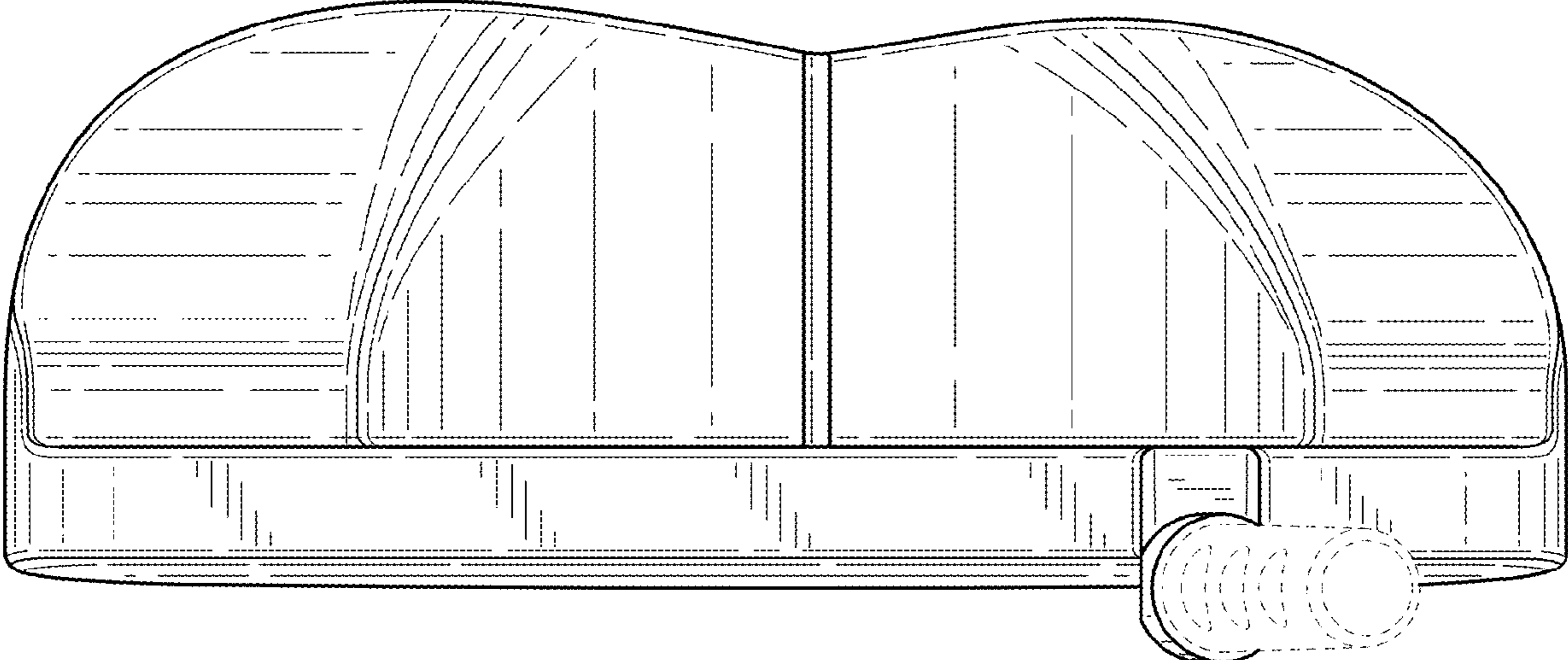


FIG. 3

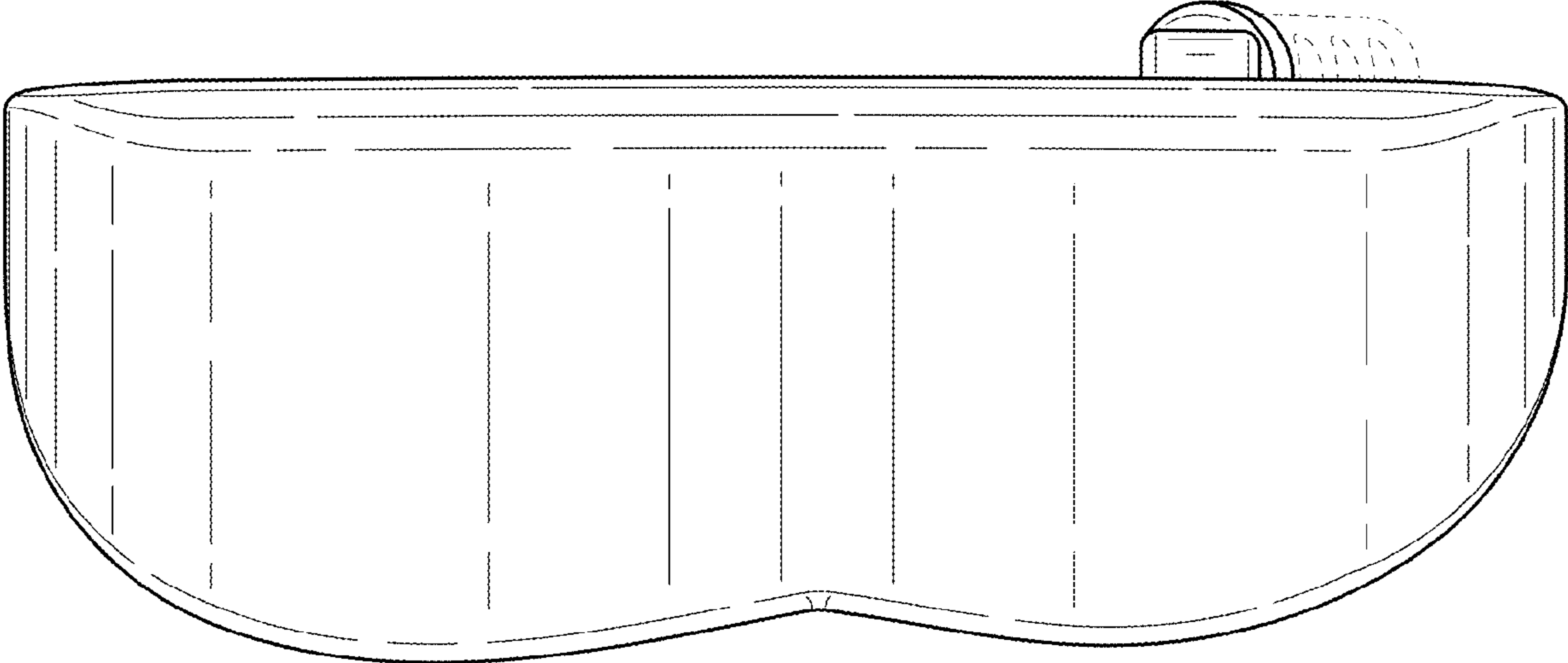


FIG. 4

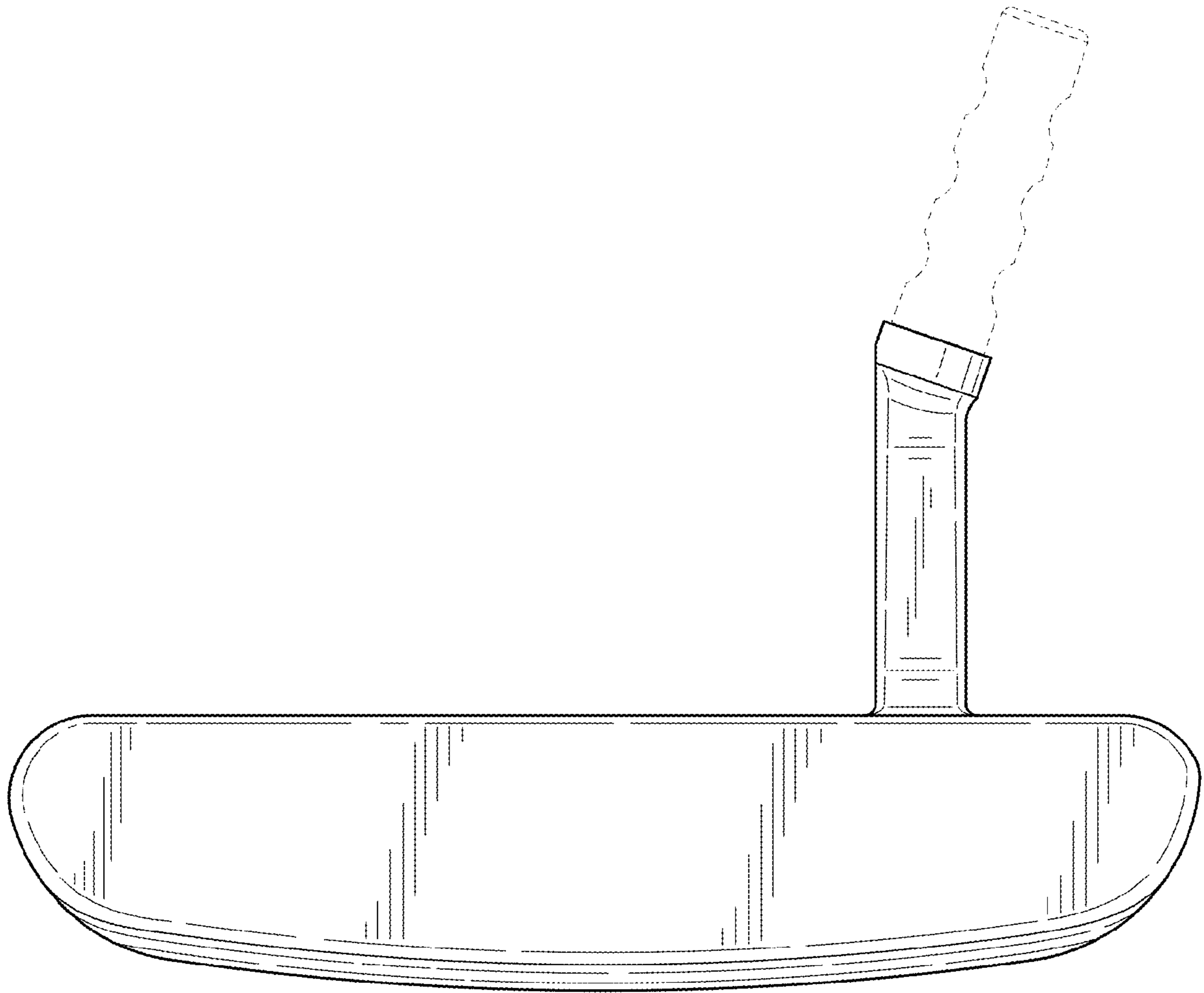


FIG. 5

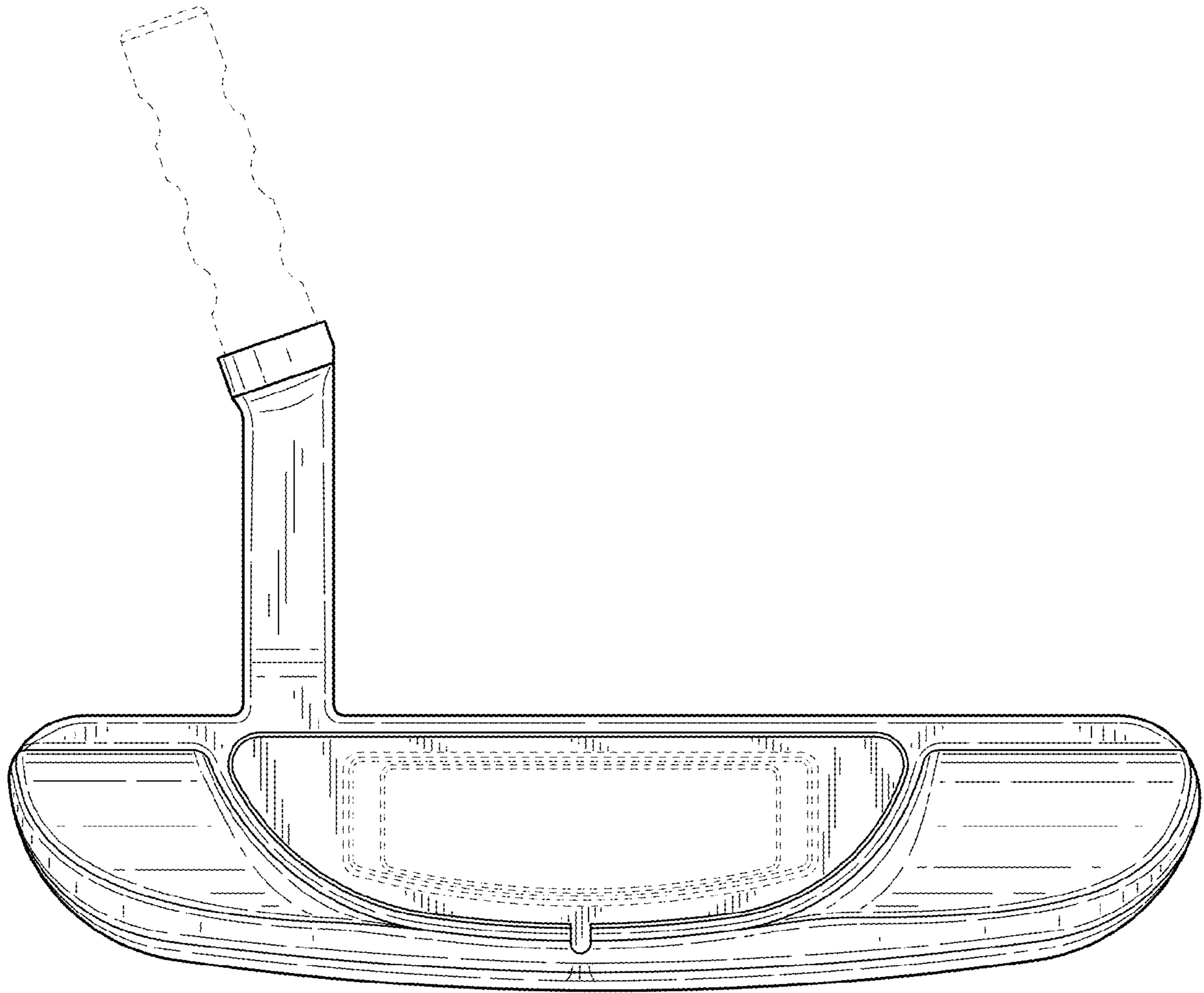


FIG. 6

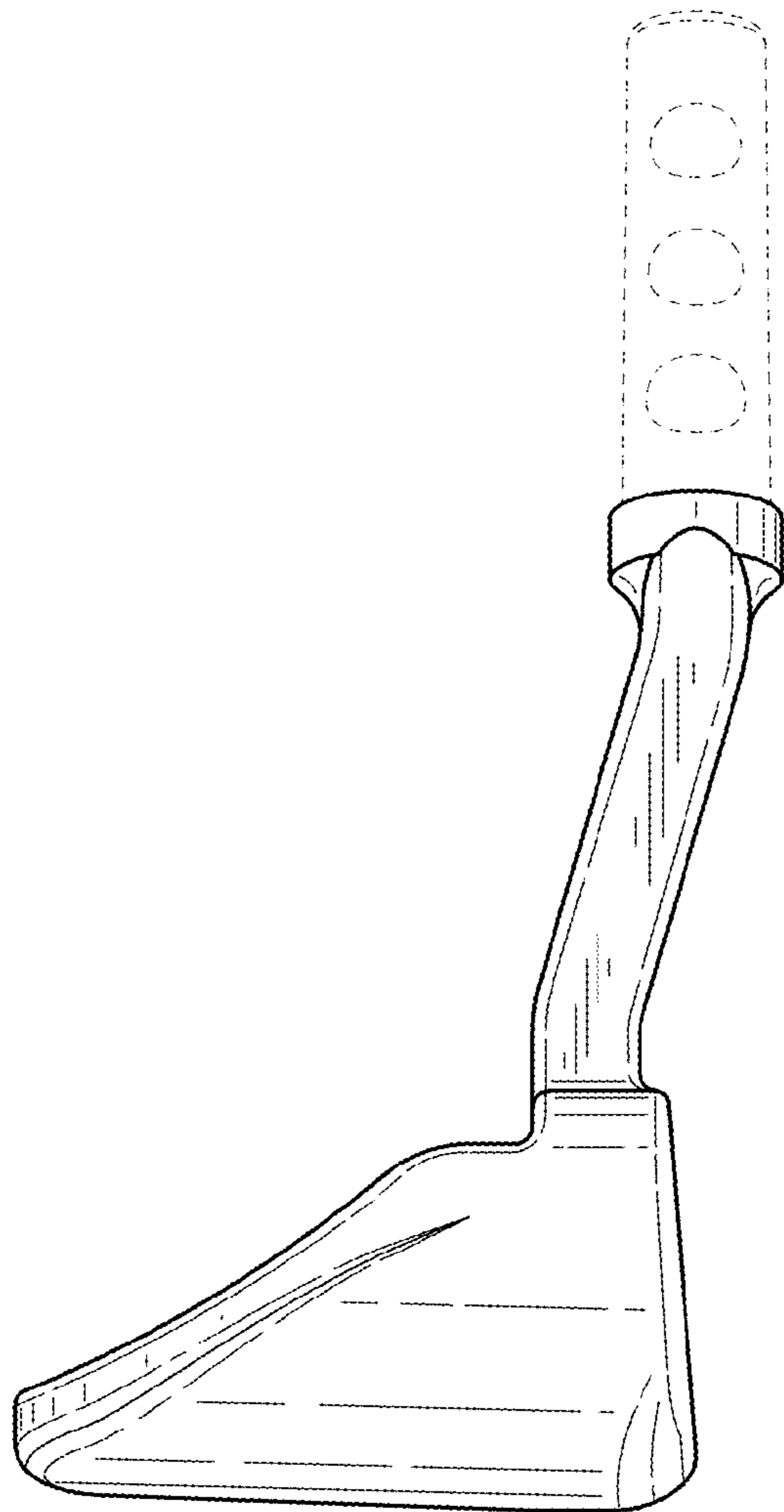


FIG. 7

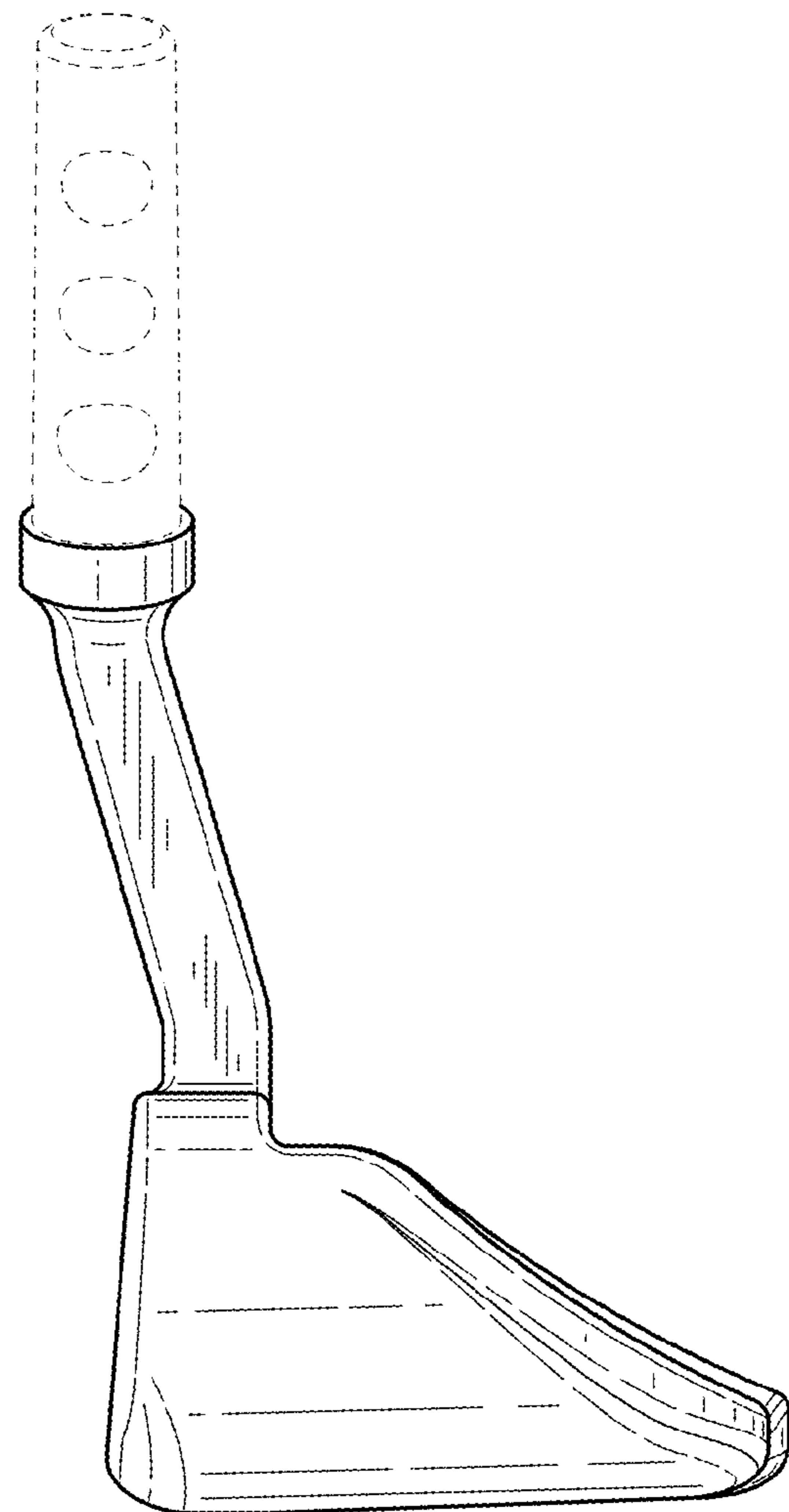


FIG. 8

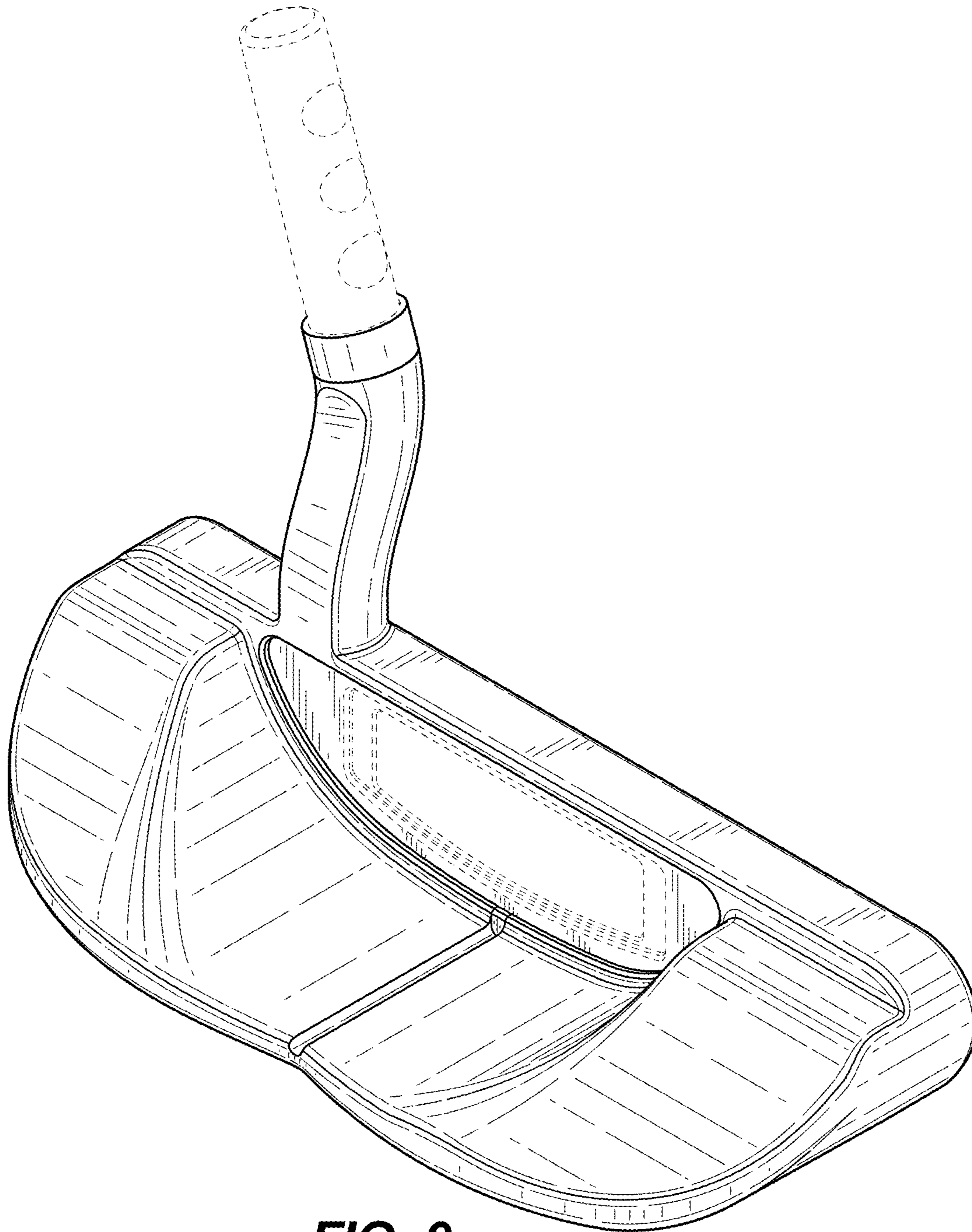


FIG. 9

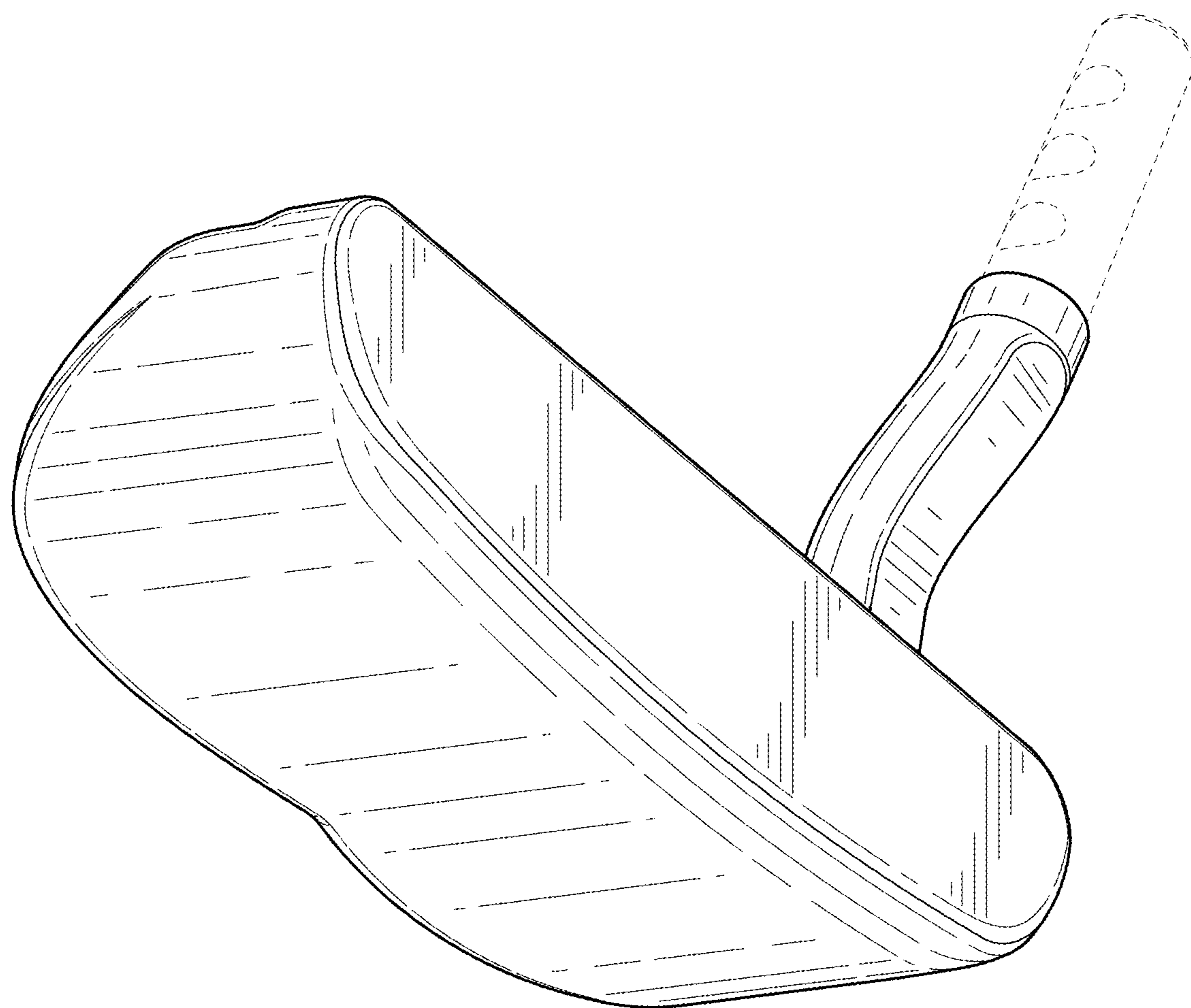


FIG. 10

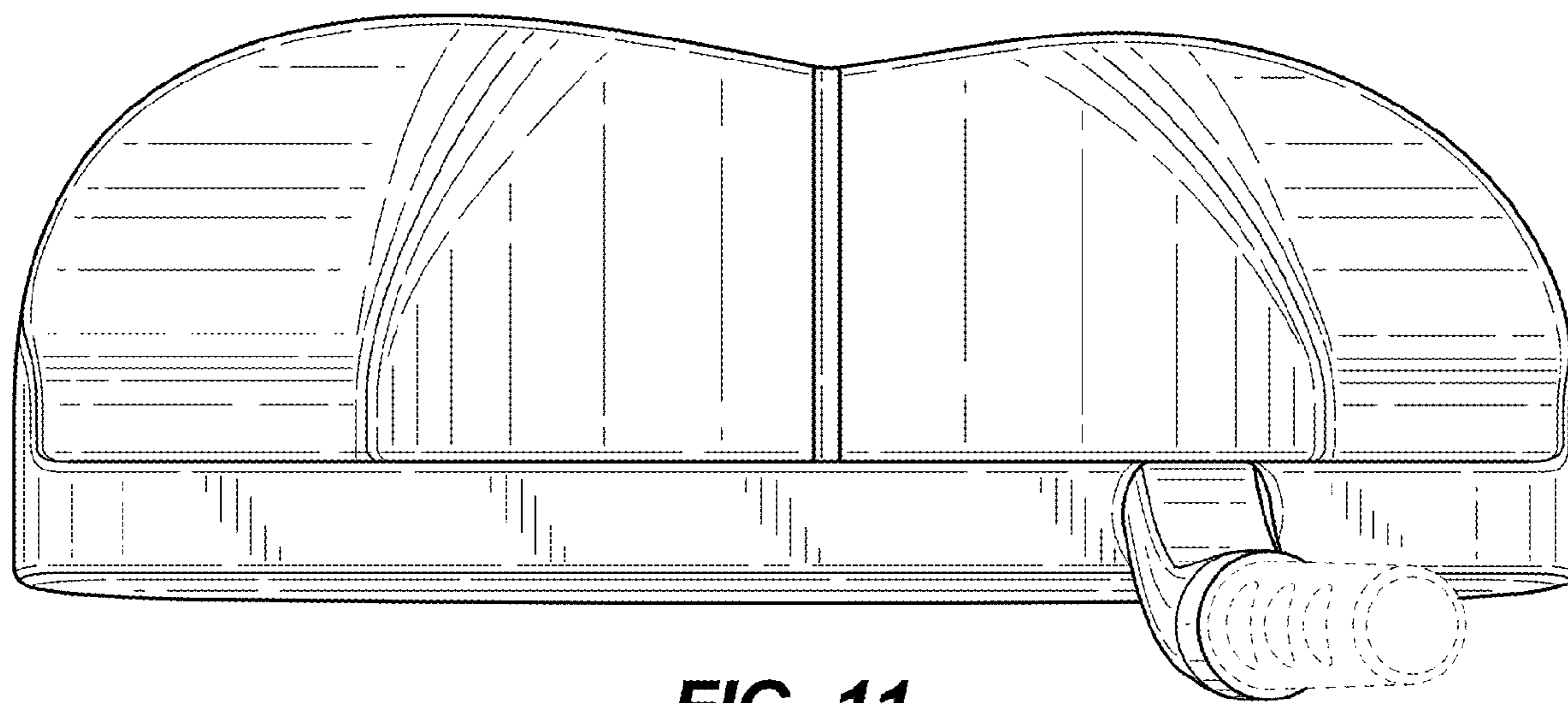


FIG. 11

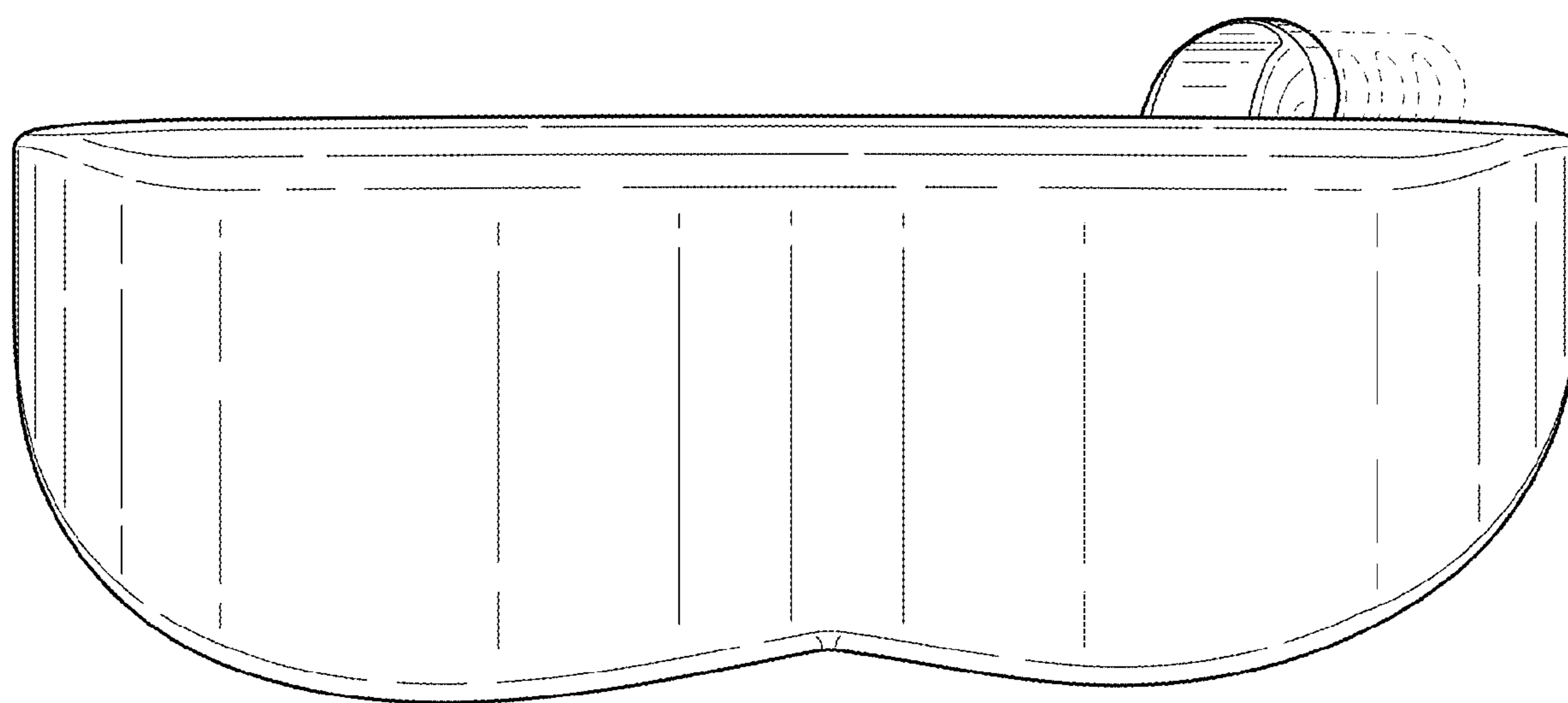


FIG. 12

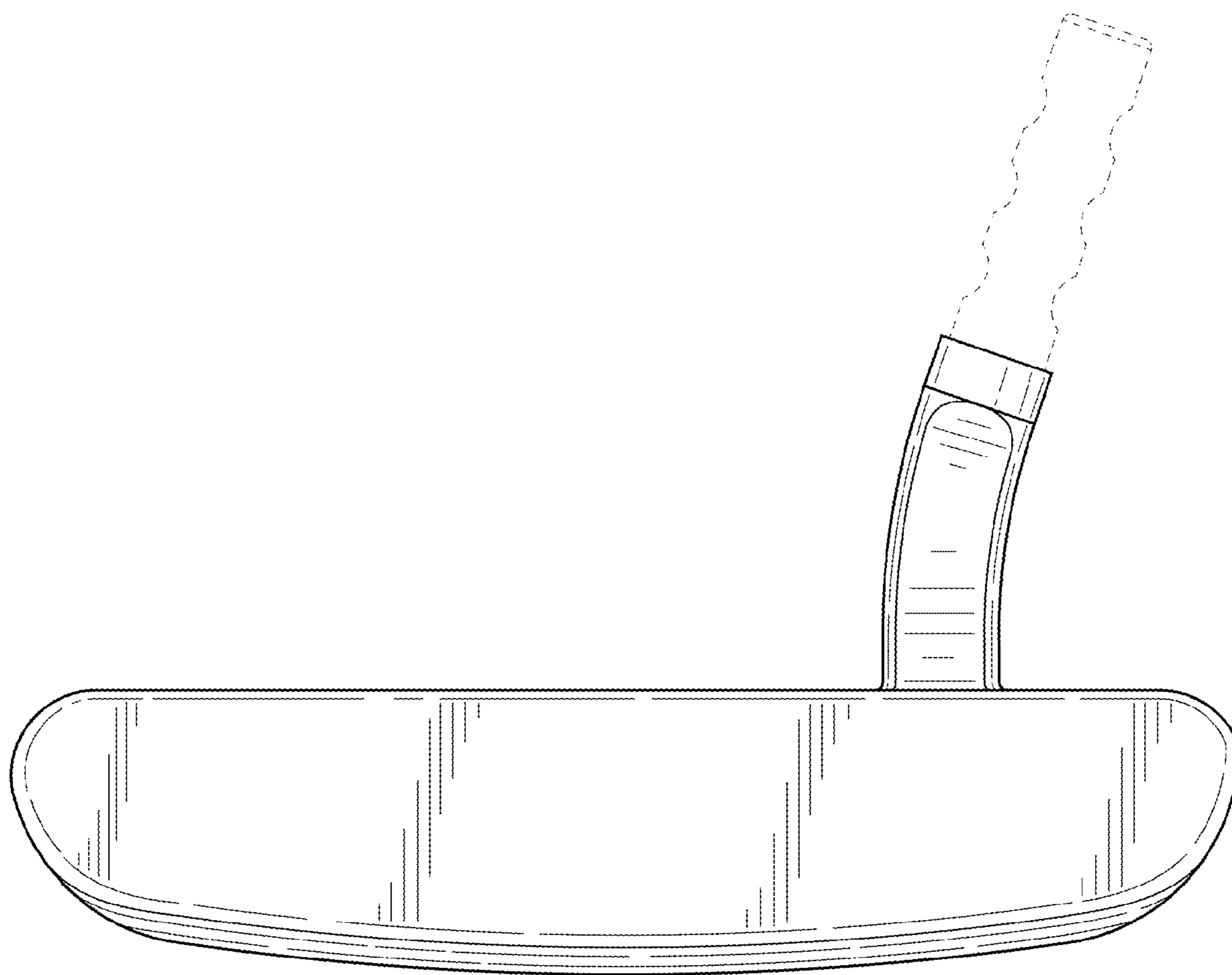


FIG. 13

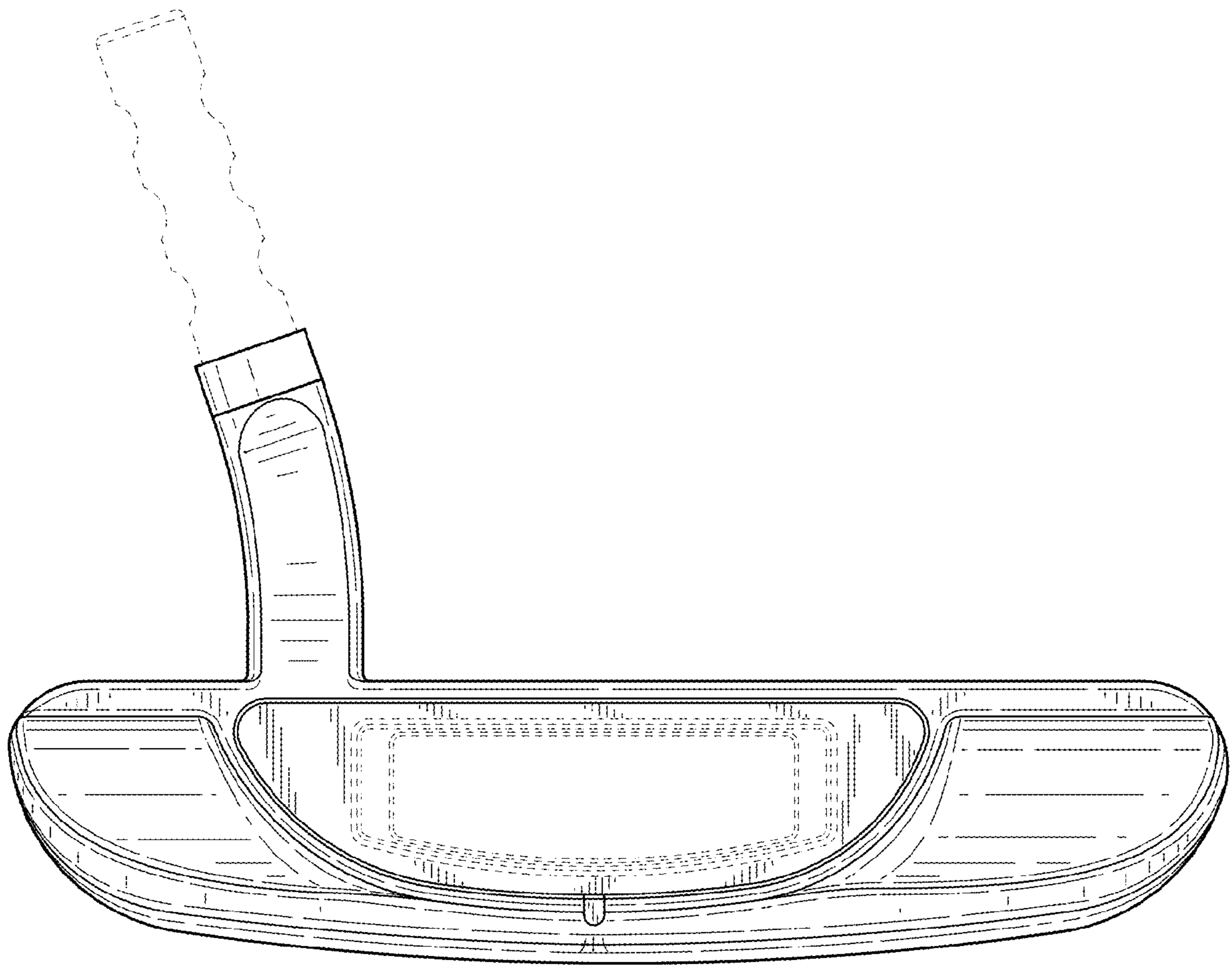


FIG. 14

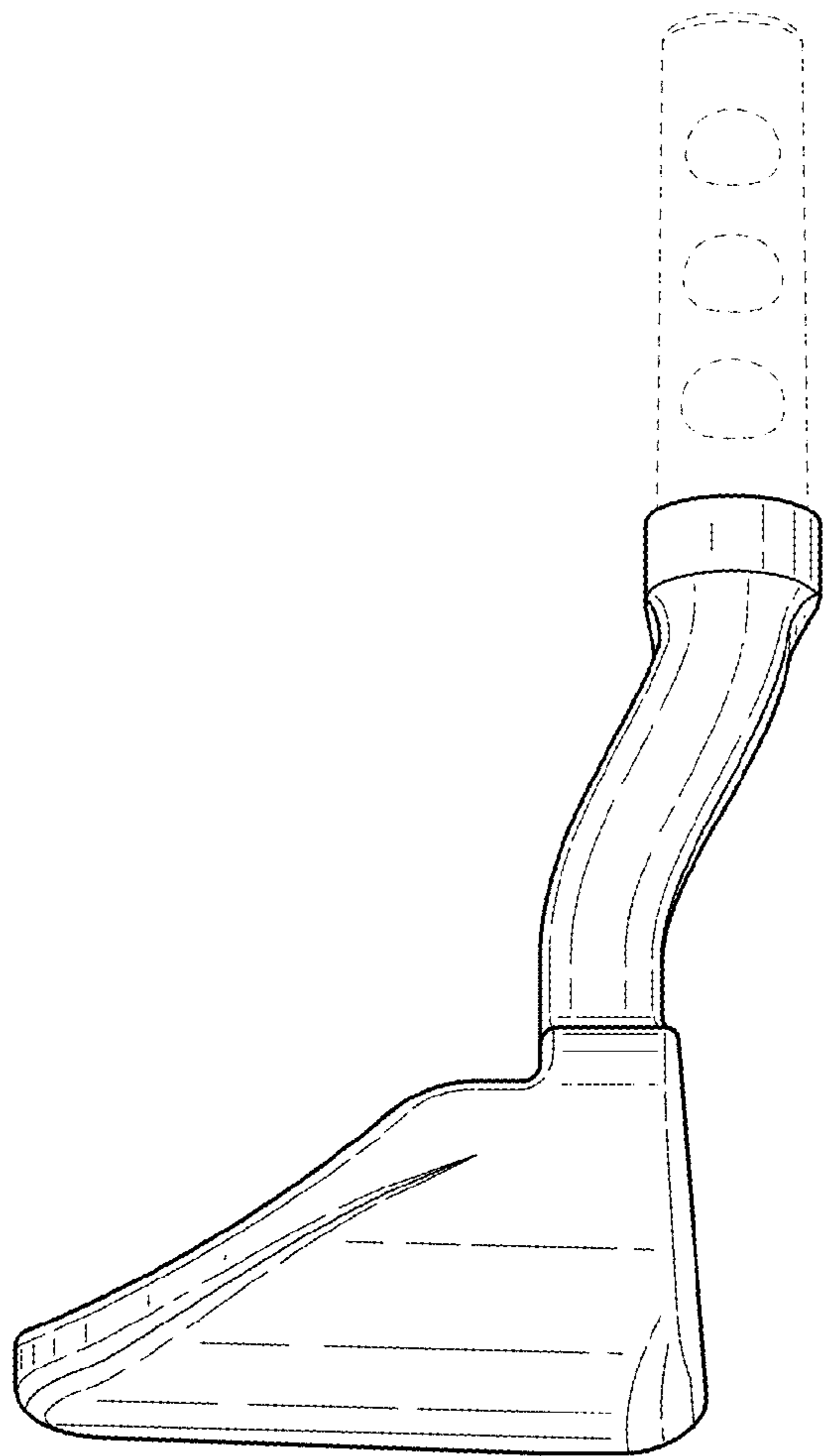


FIG. 15

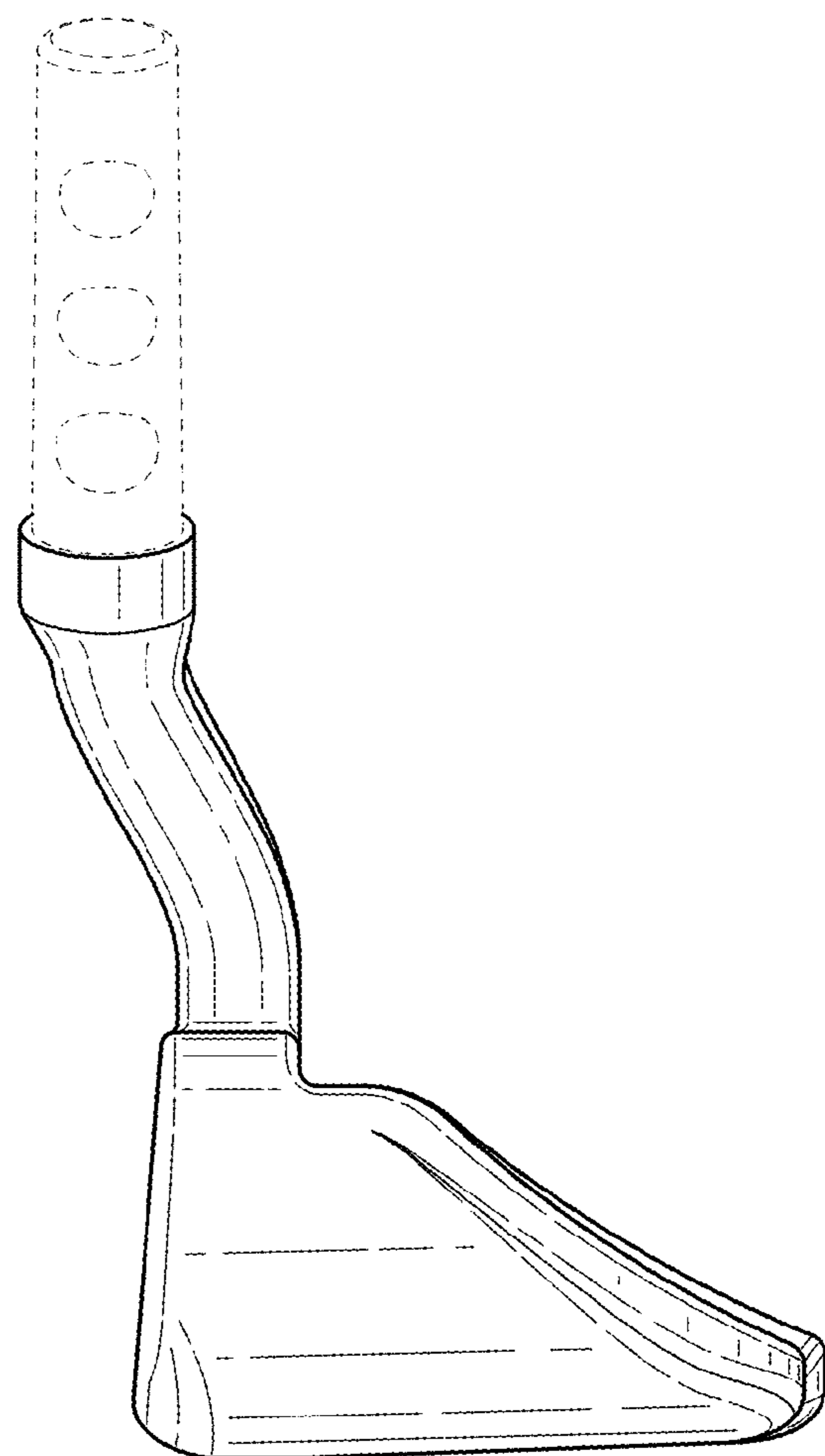


FIG. 16

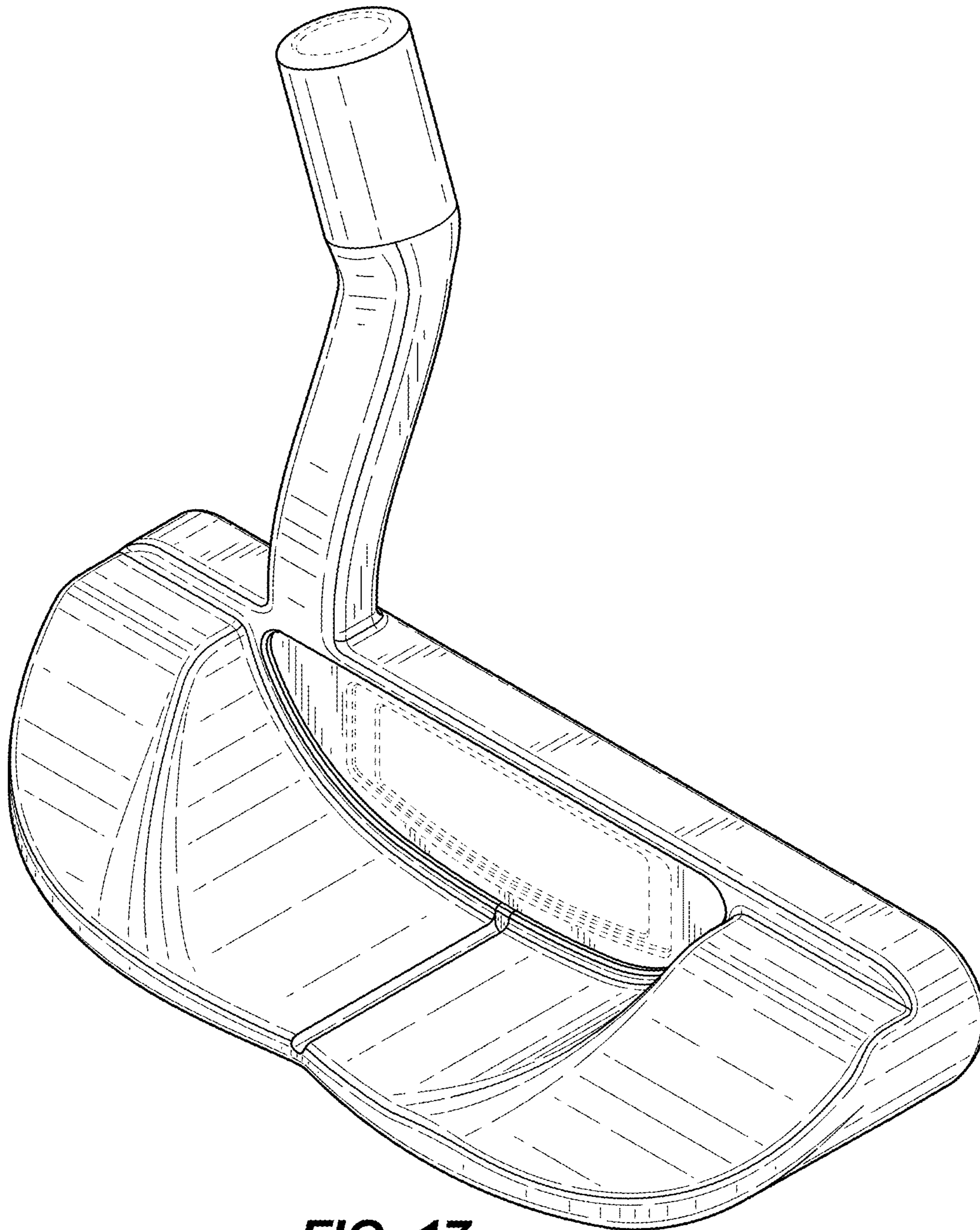


FIG. 17

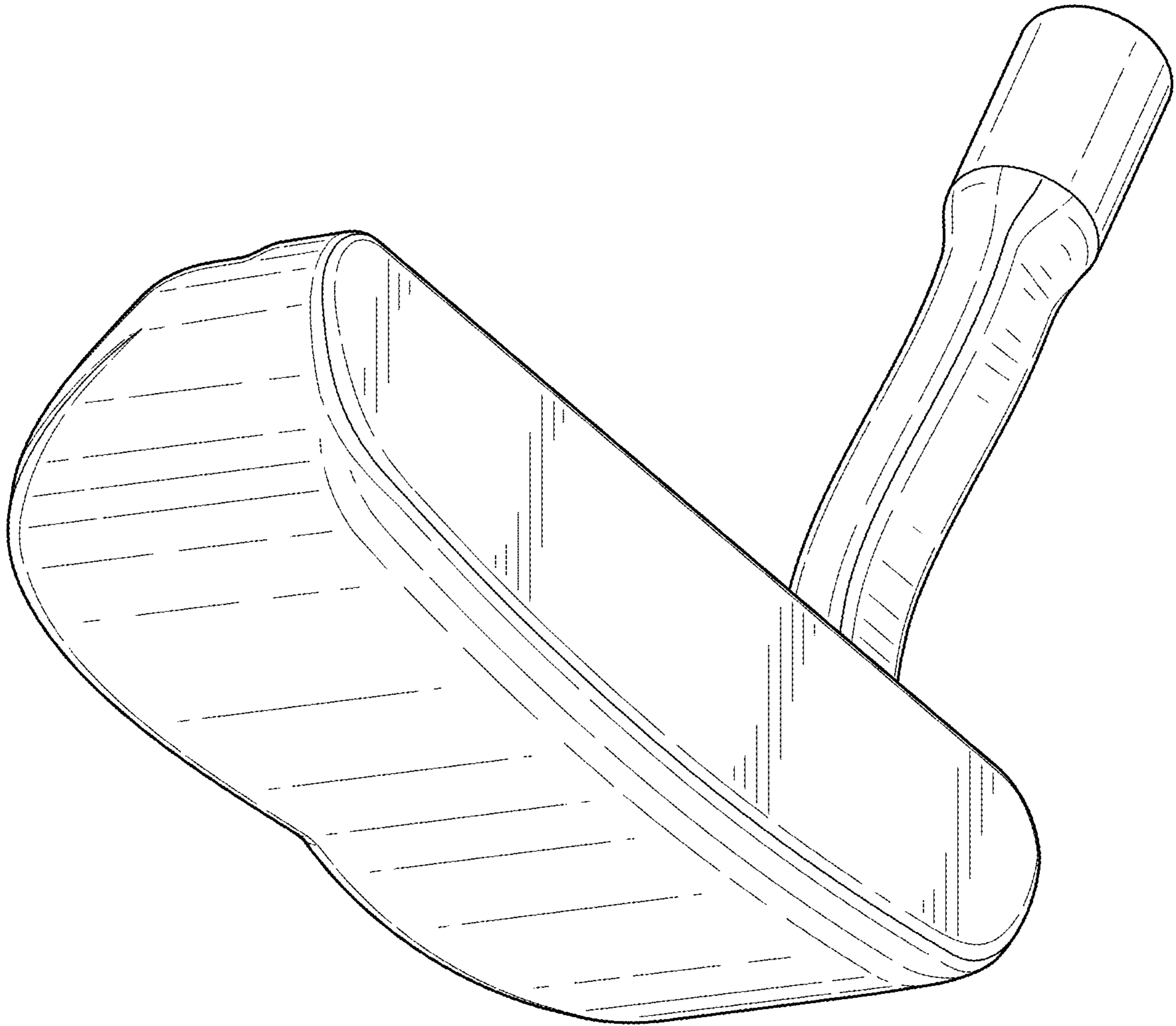


FIG. 18

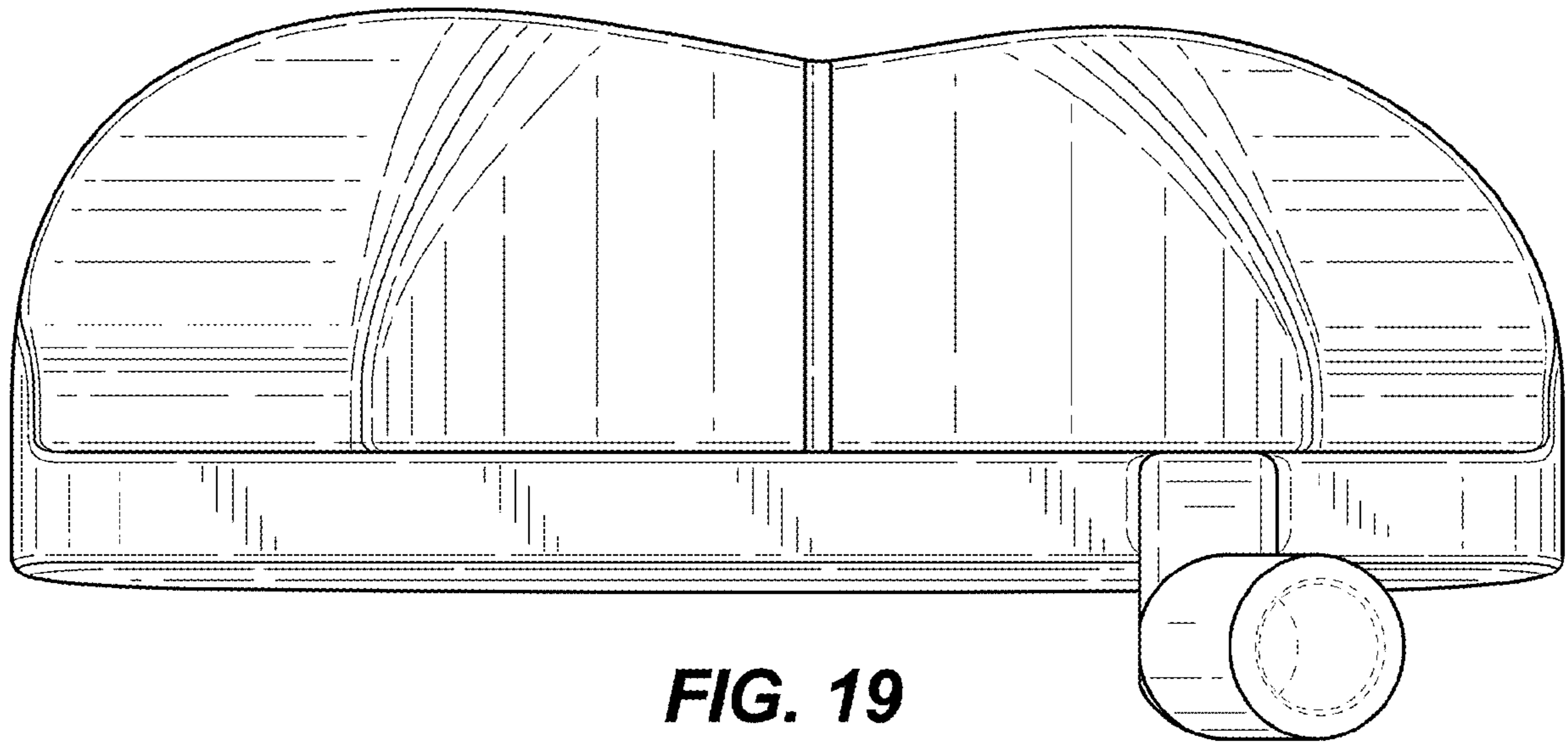


FIG. 19

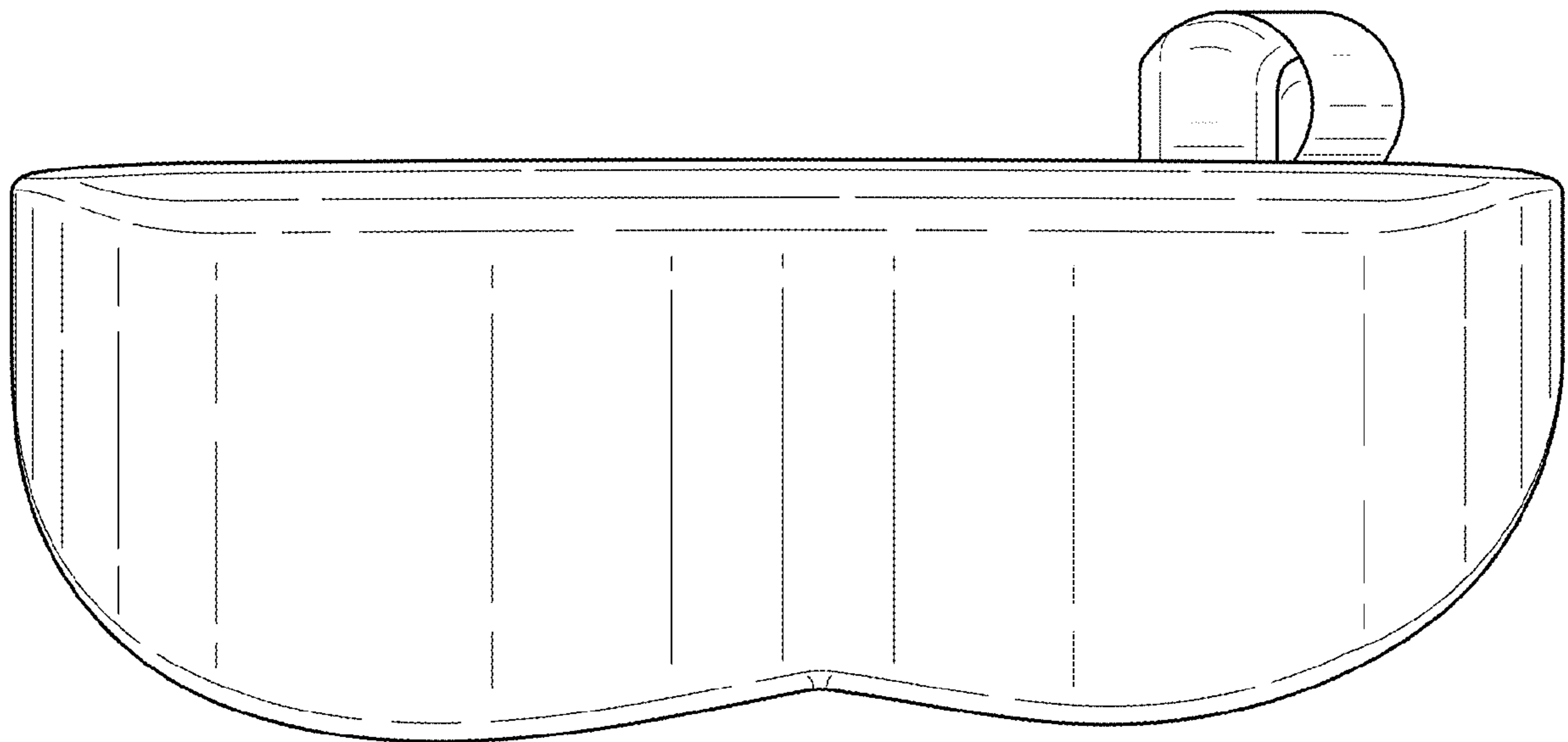


FIG. 20

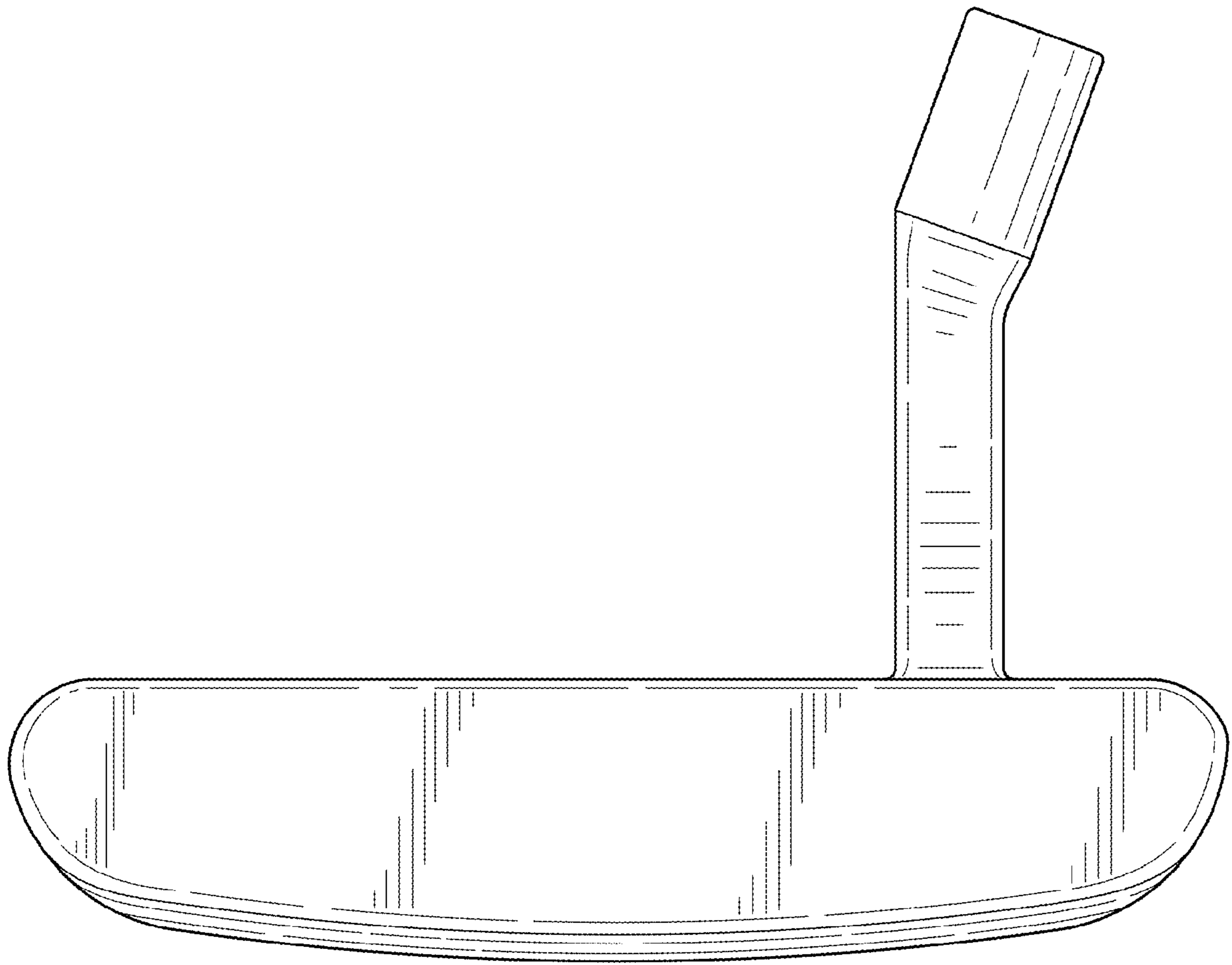


FIG. 21

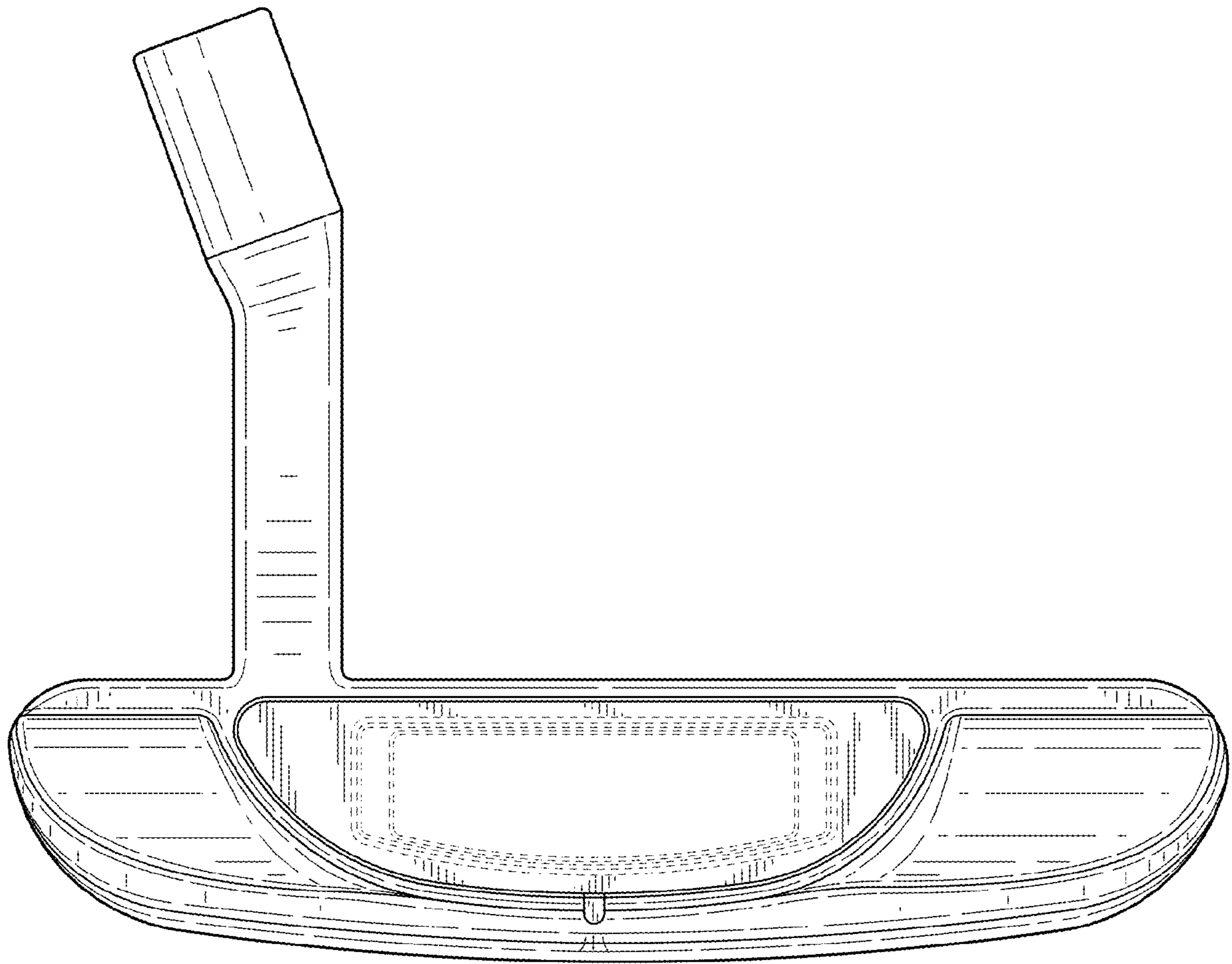


FIG. 22

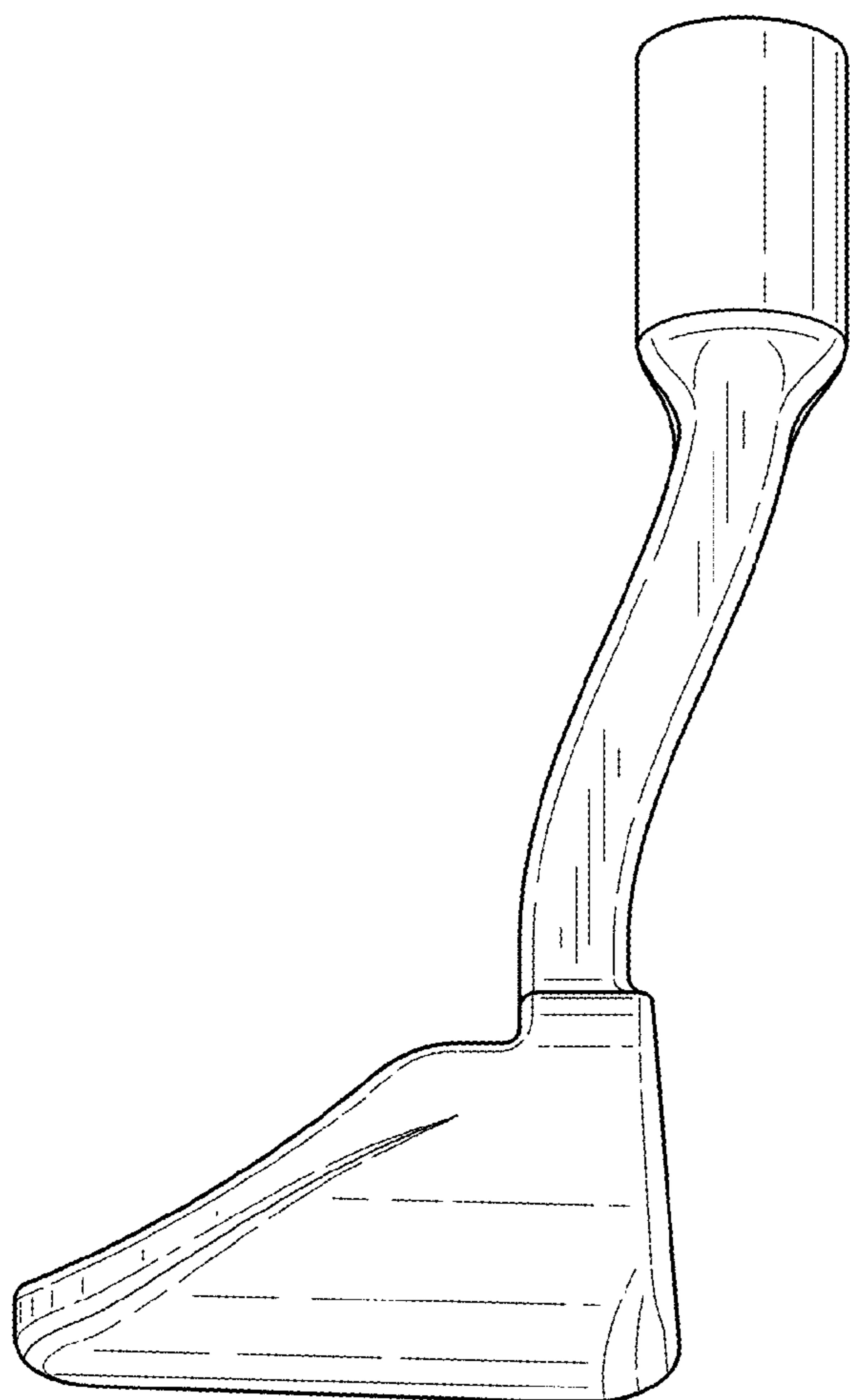


FIG. 23

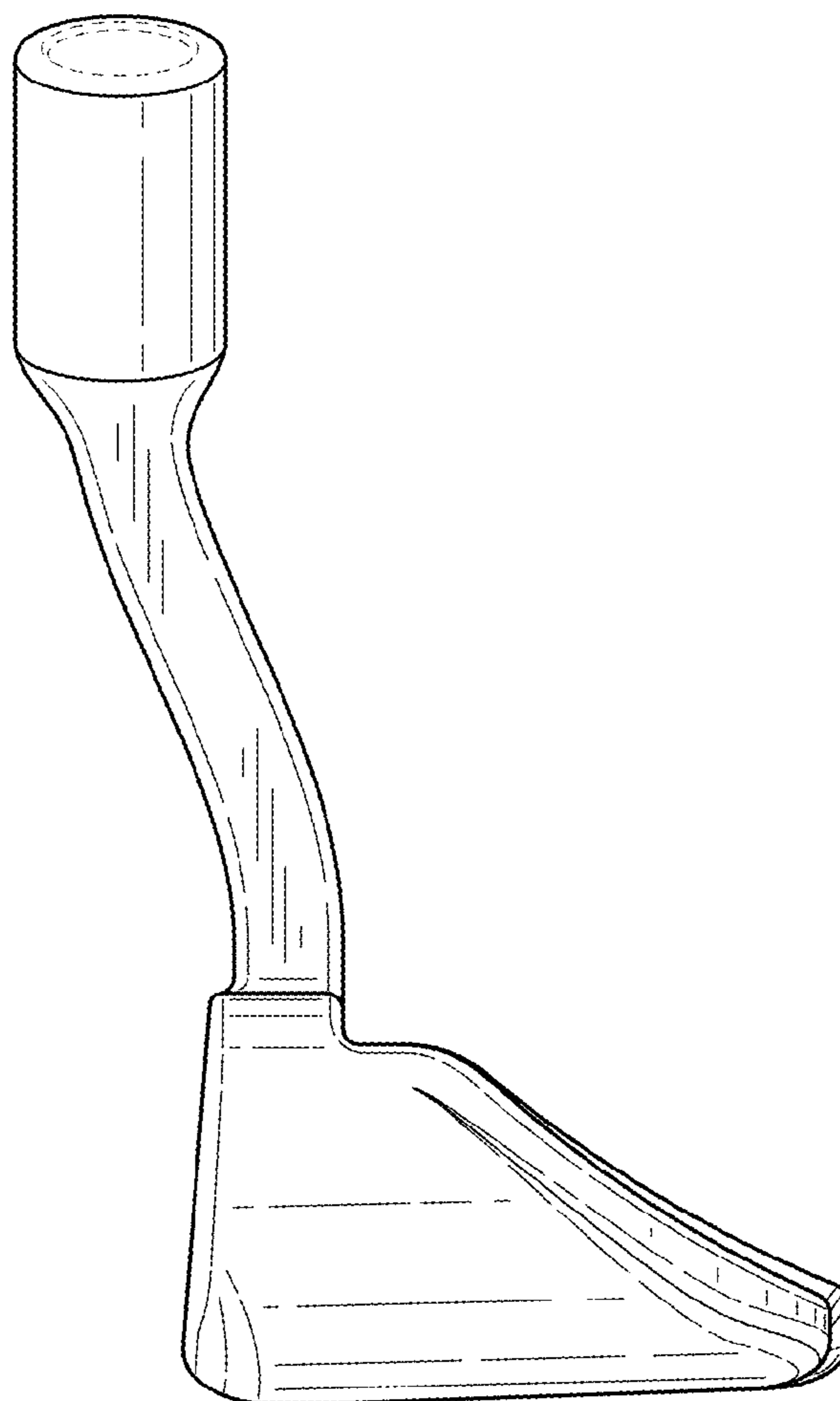


FIG. 24