



US00D951377S

(12) **United States Design Patent** (10) **Patent No.:** **US D951,377 S**
Li (45) **Date of Patent:** **** May 10, 2022**

(54) **PUSH UP TRAINING EQUIPMENT**

(71) Applicant: **Qijun Li**, Shenzhen (CN)

(72) Inventor: **Qijun Li**, Shenzhen (CN)

(**) Term: **15 Years**

(21) Appl. No.: **29/775,510**

(22) Filed: **Mar. 24, 2021**

(51) **LOC (13) Cl.** **21-02**

(52) **U.S. Cl.**
USPC **D21/686**

(58) **Field of Classification Search**
USPC D21/684, 686, 662, 694, 688; 482/141, 482/138, 140, 8
CPC A63B 23/1236; A63B 21/4035; A63B 21/00047; A63B 23/12; A63B 2210/50; A63B 21/068; A63B 22/14; A63B 23/1281; A63B 22/203; A63B 21/4047
See application file for complete search history.

(56) **References Cited**

U.S. PATENT DOCUMENTS

5,226,868	A *	7/1993	Montgomery	A63B 21/4035	482/141
D374,045	S *	9/1996	Ward, III	D21/686	
D579,503	S	10/2008	Hauser et al.			
D593,168	S	5/2009	Khubani			
D685,038	S *	6/2013	Crain	D21/662	
9,358,419	B1 *	6/2016	Smith	A63B 23/1209	
D875,194	S *	2/2020	Zhou	D21/688	
10,773,119	B2 *	9/2020	Cheng	A63B 23/1236	
D904,535	S *	12/2020	Li	D21/686	
D930,093	S *	9/2021	Lyu	D21/686	
2005/0148448	A1 *	7/2005	Mersch	A63B 21/4035	482/141
2005/0250628	A1 *	11/2005	Goldstein	A63B 21/0552	482/141
2011/0028274	A1 *	2/2011	Chong	A63B 21/4035	482/141
2011/0077136	A1 *	3/2011	Tozzi	A63B 22/203	482/141

2011/0166006	A1 *	7/2011	Howard	A63B 21/4019	482/141
2012/0316043	A1 *	12/2012	Mangalindan	A63B 23/1236	482/141
2014/0141949	A1 *	5/2014	Mills	A63B 21/4045	482/140

(Continued)

OTHER PUBLICATIONS

QyWyll by QyWyll Store dated Jun. 25, 2021. Found online [Mar. 22, 2022] https://www.amazon.com/QyWyll-Foldable-Equipment-Color-coded-Multifunctional/dp/B097Y5B2CQ/ref=sr_1_23?crd=L2FDYB1O631E&keywords=push+up+board&qid=1647885449&sr=8-23 (Year: 2021).*

Primary Examiner — Ryan Harvey

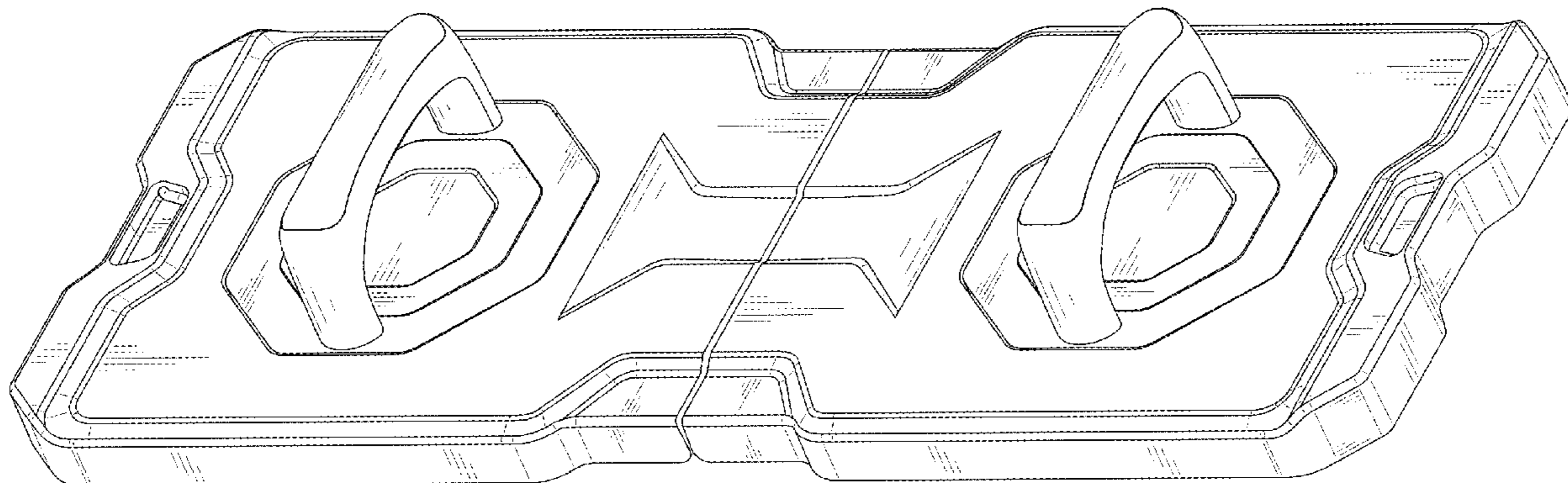
(57) **CLAIM**

The ornamental design for a push up training equipment, as shown and described.

DESCRIPTION

FIG. 1 is a front perspective view of a push up training equipment showing my new design; FIG. 2 is a rear perspective view thereof; FIG. 3 is a front plan view thereof; FIG. 4 is a rear plan view thereof; FIG. 5 is a left side elevational view thereof; FIG. 6 is a right side elevational view thereof; FIG. 7 is a top elevational view thereof; FIG. 8 is a bottom elevational view thereof; FIG. 9 is an exploded perspective view of the push up training equipment; and, FIG. 10 is a perspective view of the push up training equipment where the push up training equipment is in a folded position. The broken lines in the drawings depict portions of the push up training equipment that form no part of the claimed design.

1 Claim, 10 Drawing Sheets



(56)

References Cited

U.S. PATENT DOCUMENTS

2014/0162857 A1* 6/2014 Shade A63B 22/205
482/141
2014/0187394 A1* 7/2014 Blahnik A63B 22/20
482/141
2019/0143168 A1* 5/2019 Chang A63B 21/4035
482/138
2020/0298056 A1* 9/2020 Cheng A63B 21/4035
2022/0008785 A1* 1/2022 Hao A63B 21/00047
2022/0054890 A1* 2/2022 Owusu A63B 23/1236
2022/0072368 A1* 3/2022 Wang A63B 21/4035

* cited by examiner

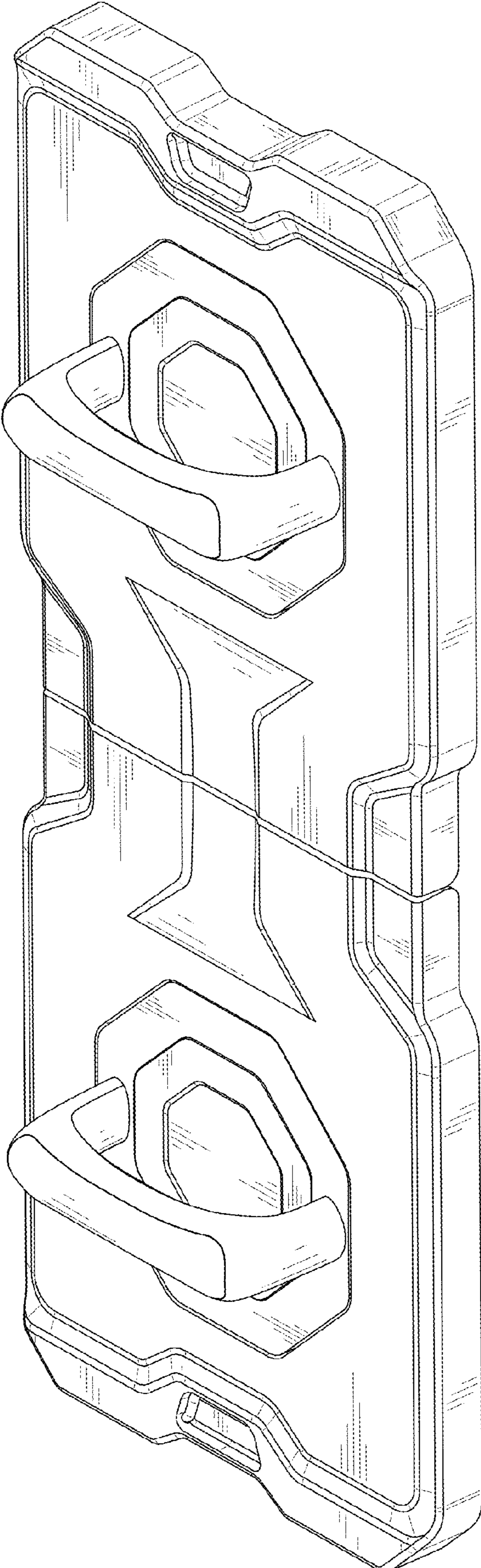


FIG. 1

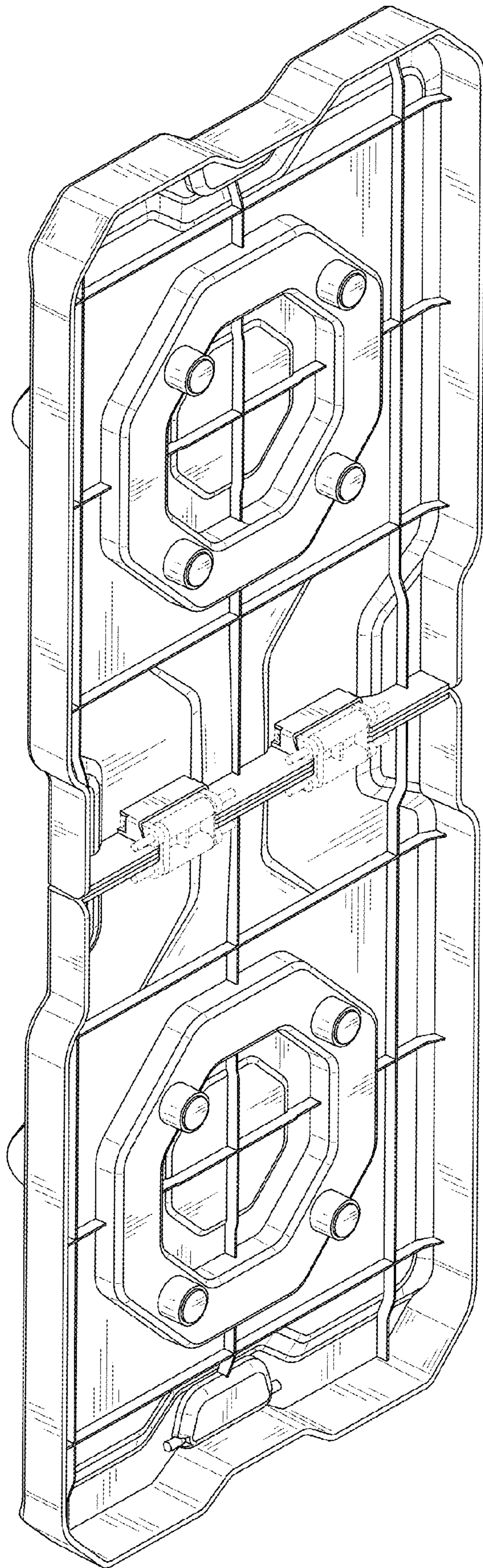


FIG. 2

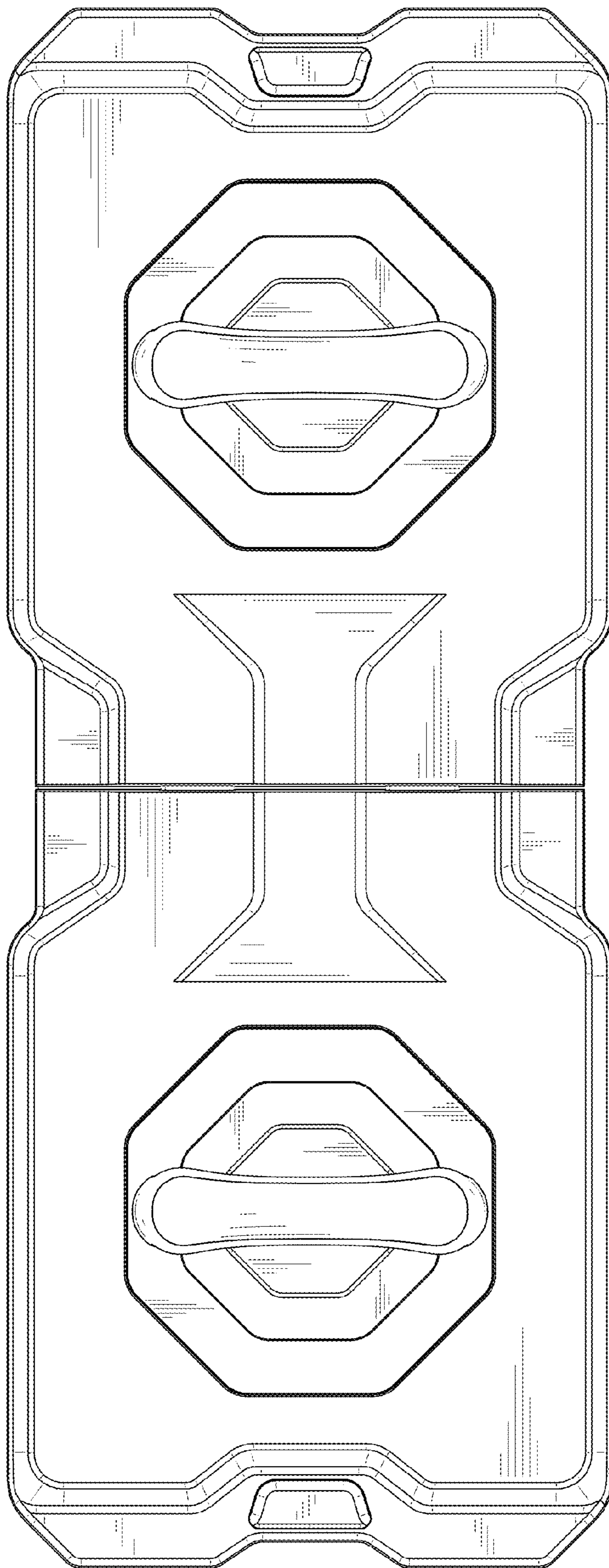


FIG. 3

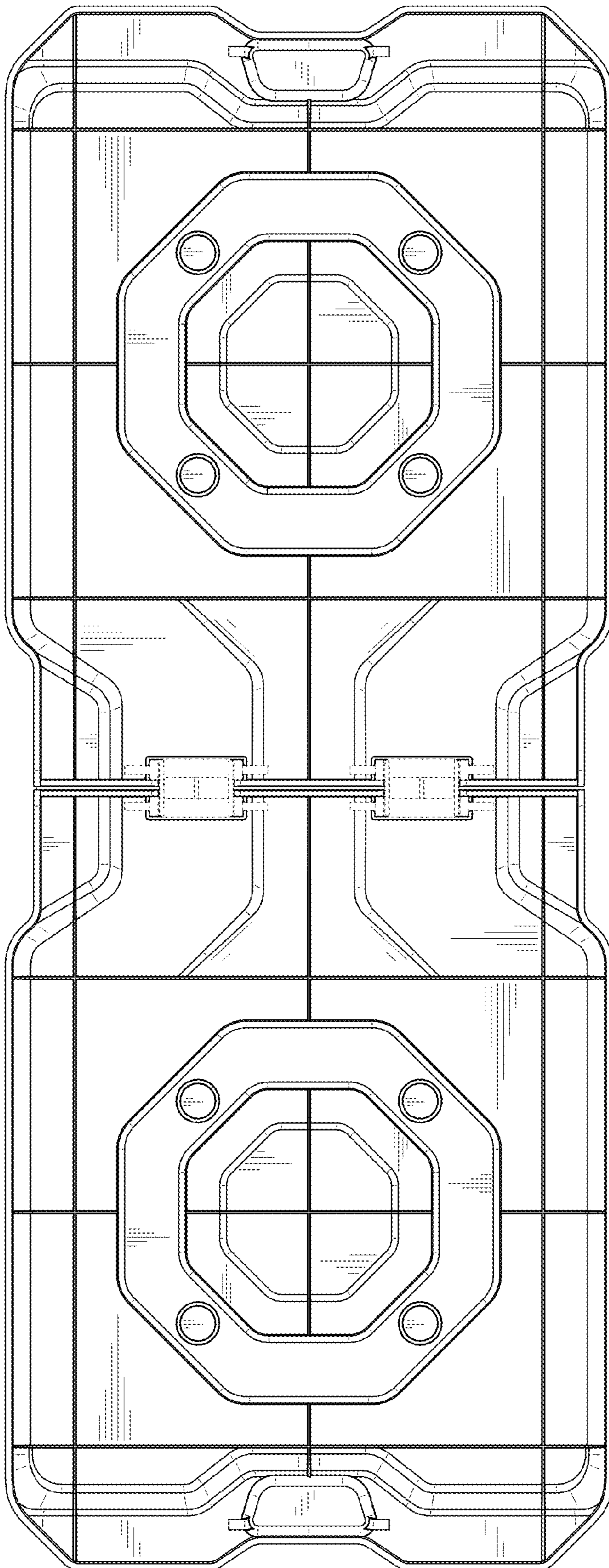


FIG. 4

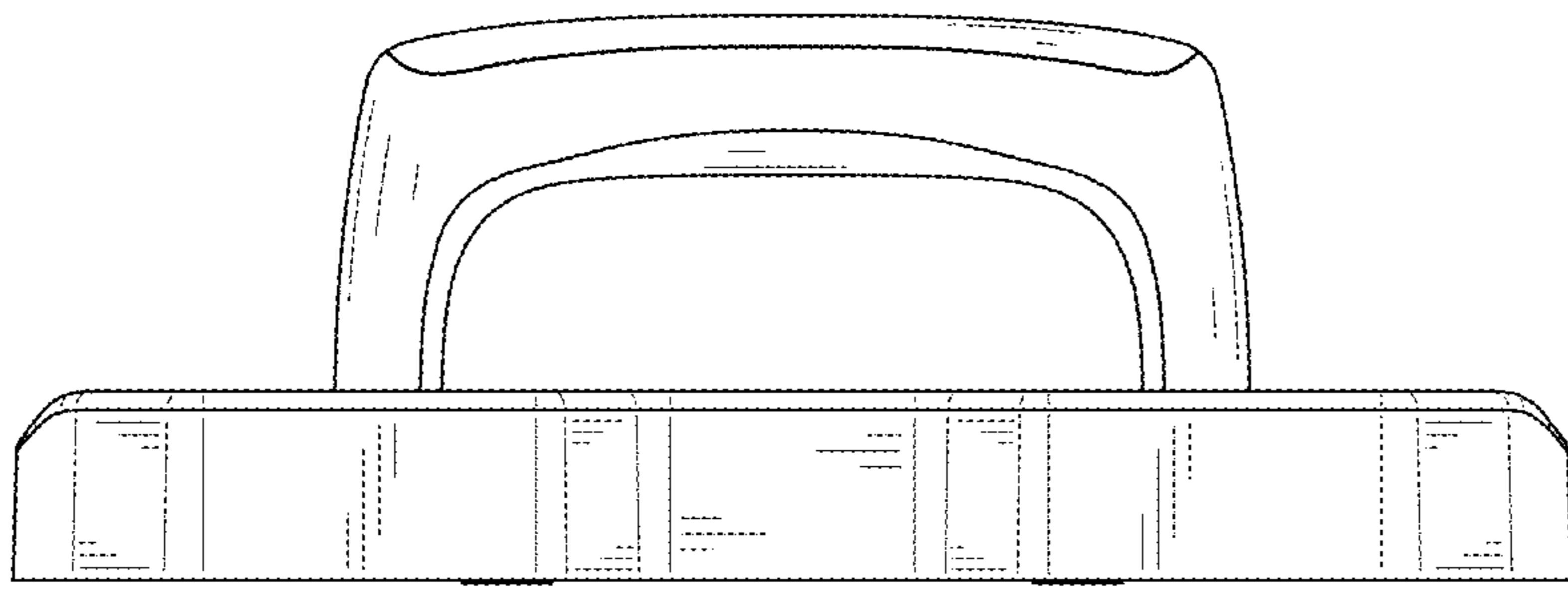


FIG. 5

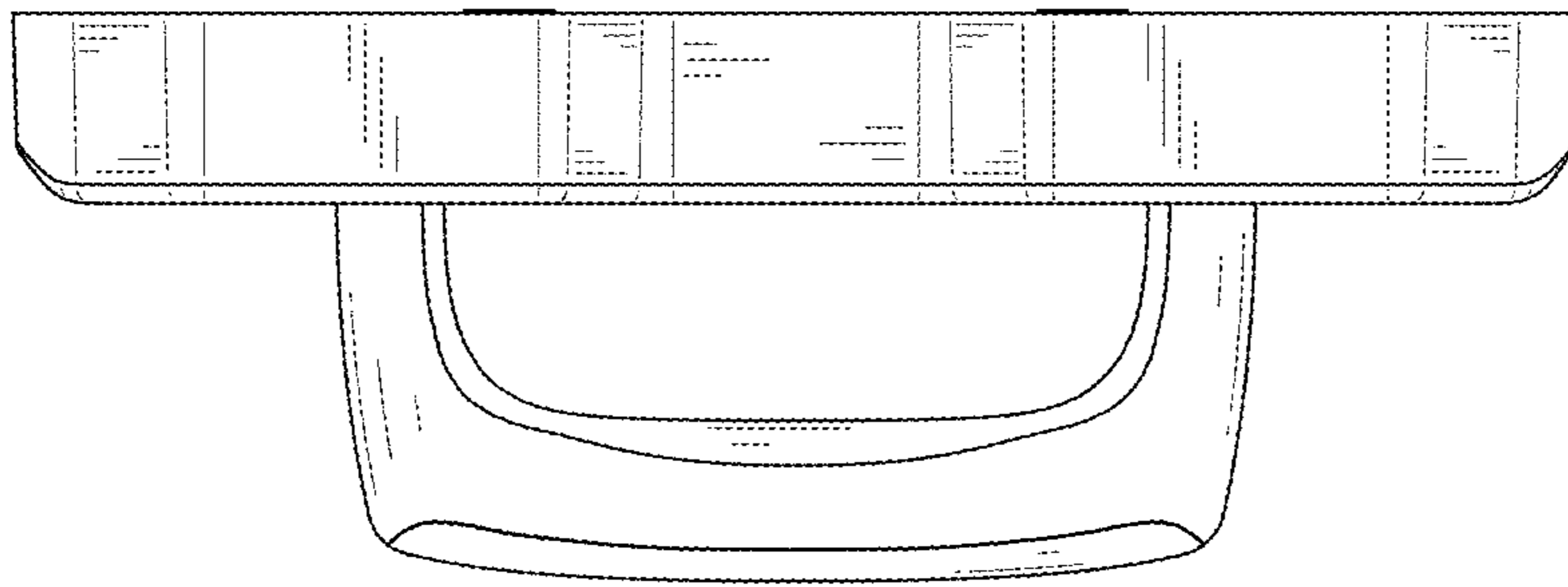


FIG. 6

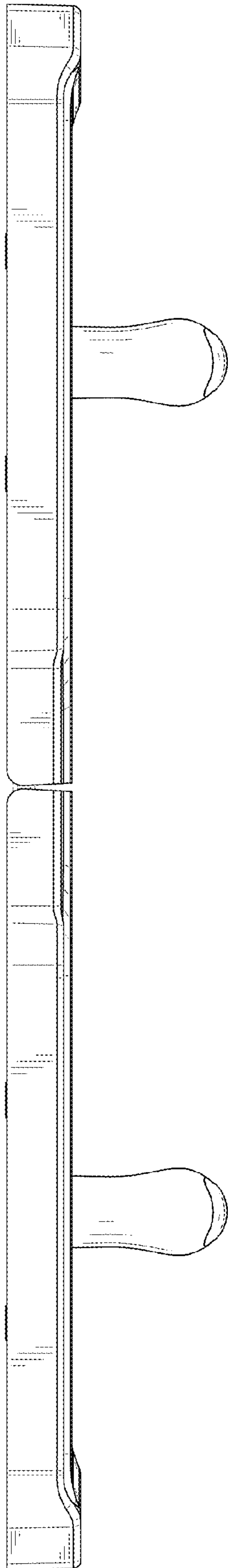


FIG. 7

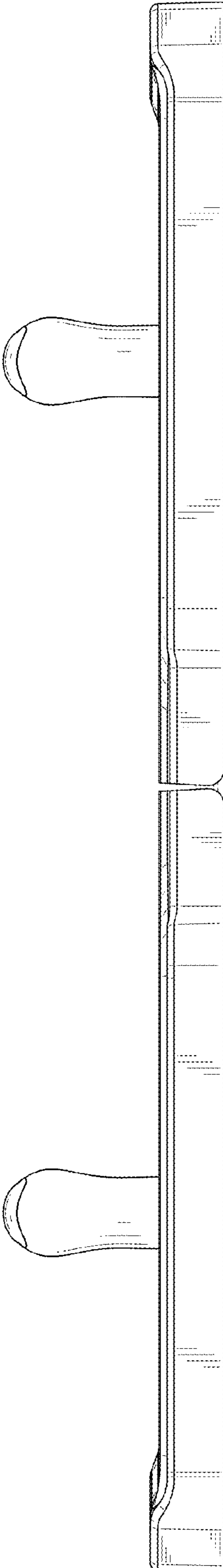


FIG. 8

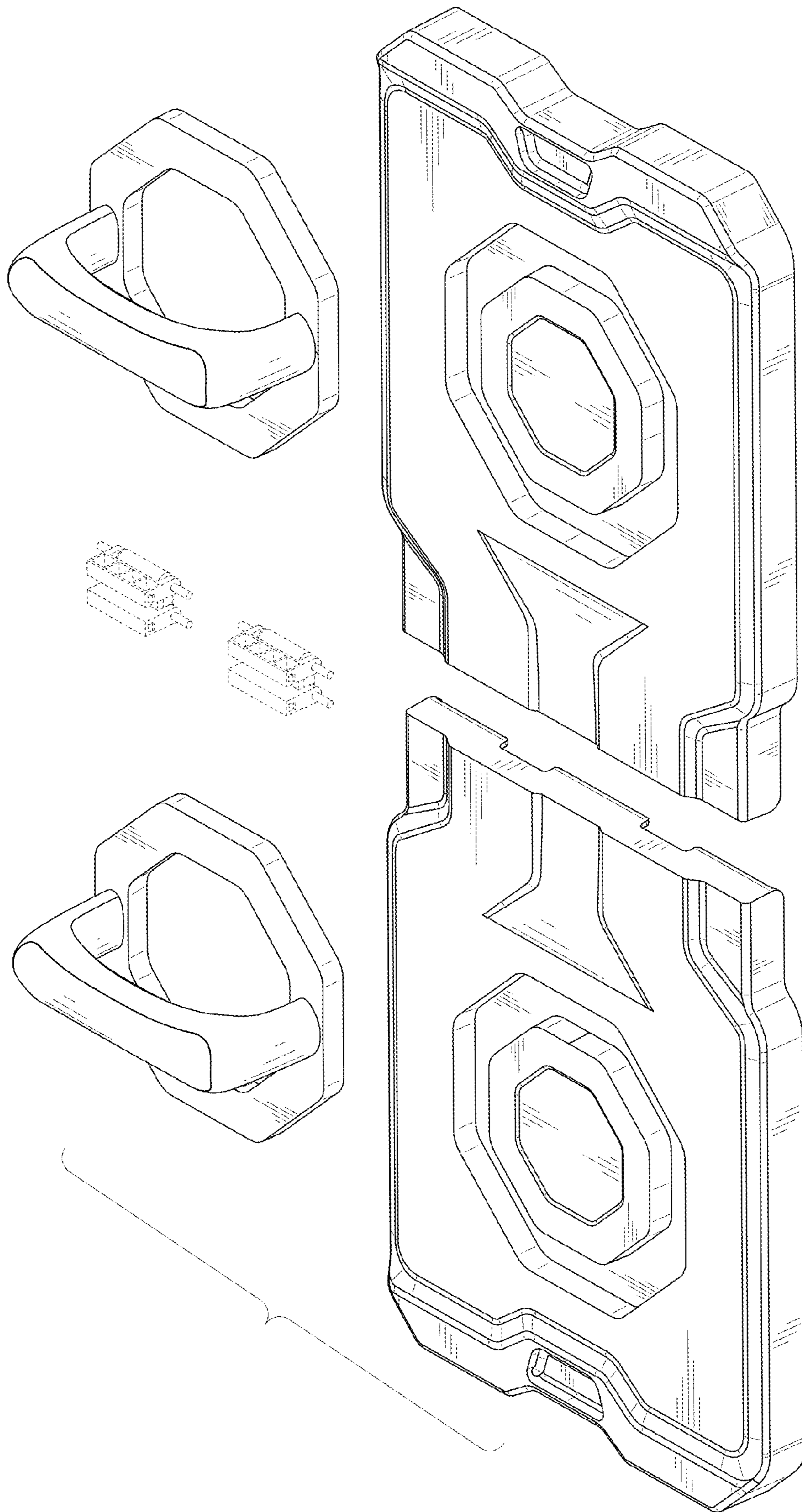


FIG. 9

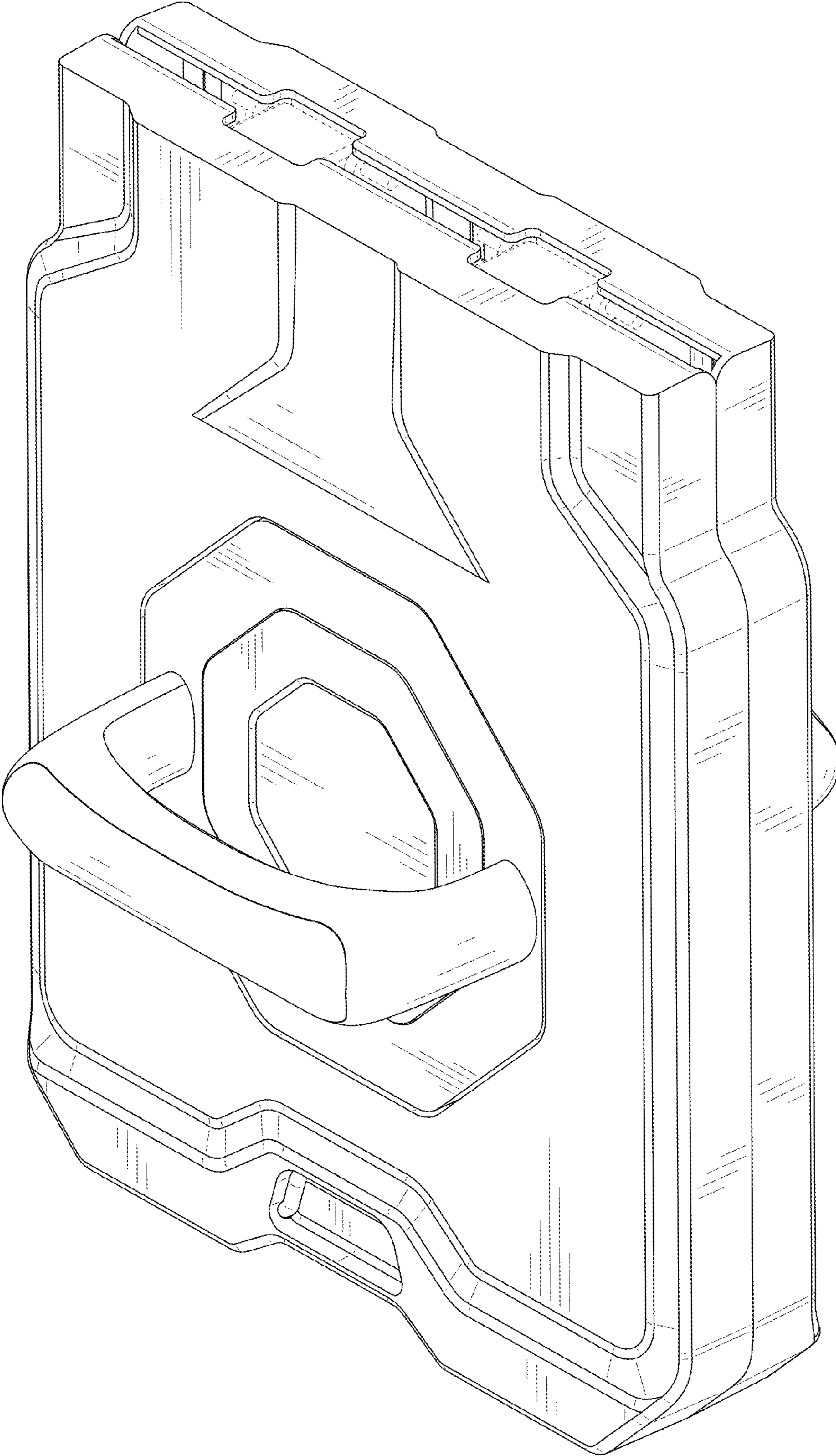


FIG. 10