



US00D951376S

(12) **United States Design Patent**
Li et al.

(10) **Patent No.:** **US D951,376 S**

(45) **Date of Patent:** **** May 10, 2022**

(54) **ABDOMINAL WHEEL**

(71) Applicant: **Chongqing Qing Er Technology Co. Ltd.**, Chongqing (CN)

(72) Inventors: **Zhipeng Li**, Baldwin Park, CA (US);
Jinliang Zhang, Baldwin Park, CA (US)

(**) Term: **15 Years**

(21) Appl. No.: **29/762,499**

(22) Filed: **Dec. 16, 2020**

(30) **Foreign Application Priority Data**

Nov. 20, 2020 (CN) 202030708261.5

(51) **LOC (13) Cl.** **21-02**

(52) **U.S. Cl.**
USPC **D21/686**

(58) **Field of Classification Search**
USPC D21/662, 694, 692, 679, 680, 684, 686;
D24/200, 211; D12/209
See application file for complete search history.

(56) **References Cited**

U.S. PATENT DOCUMENTS

1,861,226	A *	5/1932	O'Connor	B61H 13/02 74/609
3,616,794	A *	11/1971	Gromala	A61H 15/0092 601/120
D224,935	S *	10/1972	Winger	D21/662
5,209,461	A *	5/1993	Whightsil, Sr.	A63B 21/0455 267/155
D378,506	S *	3/1997	Stolz	D12/209
D453,493	S *	2/2002	Kokubu	D12/209
D453,723	S *	2/2002	Kokubu	D12/209
D454,929	S *	3/2002	Huang	D21/662
D490,355	S *	5/2004	Francis	D12/209
D491,126	S *	6/2004	Rivers, Jr.	D12/209
7,837,603	B1 *	11/2010	Carnell, Sr.	A63B 21/0004 482/140

(Continued)

OTHER PUBLICATIONS

Songmics store, announced Apr. 2020[online], [site visited Feb. 3, 2022]. Available on internet, URL:https://www.amazon.com/SONGMICS-Abdominal-Exercise-Trainer-USPU078R01/dp/B087JTBGLV/ref (Year: 2020).*

(Continued)

Primary Examiner — Khawaja Anwar

Assistant Examiner — Julice Seung Eun Oum

(74) *Attorney, Agent, or Firm* — Tsz Lung Yeung

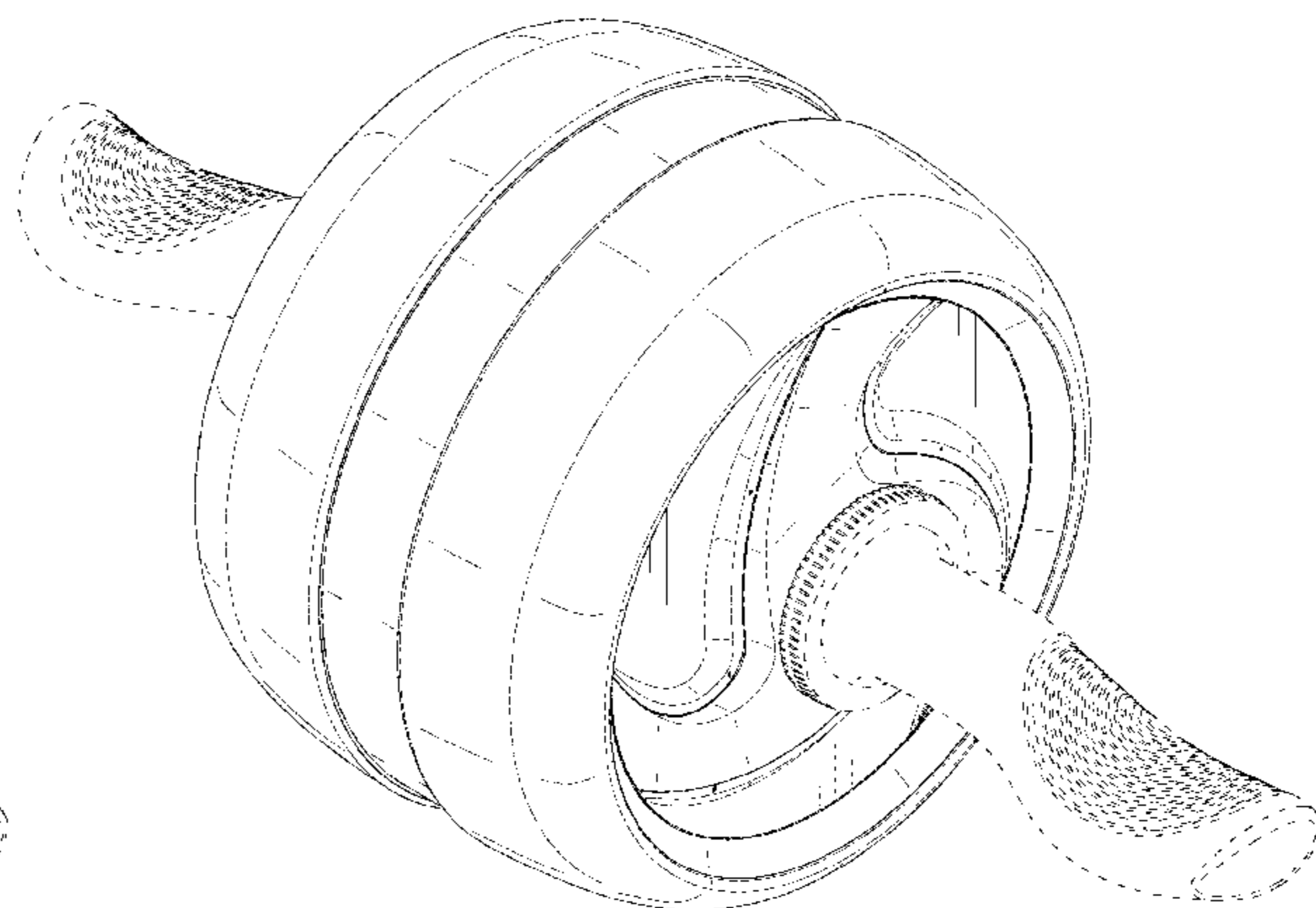
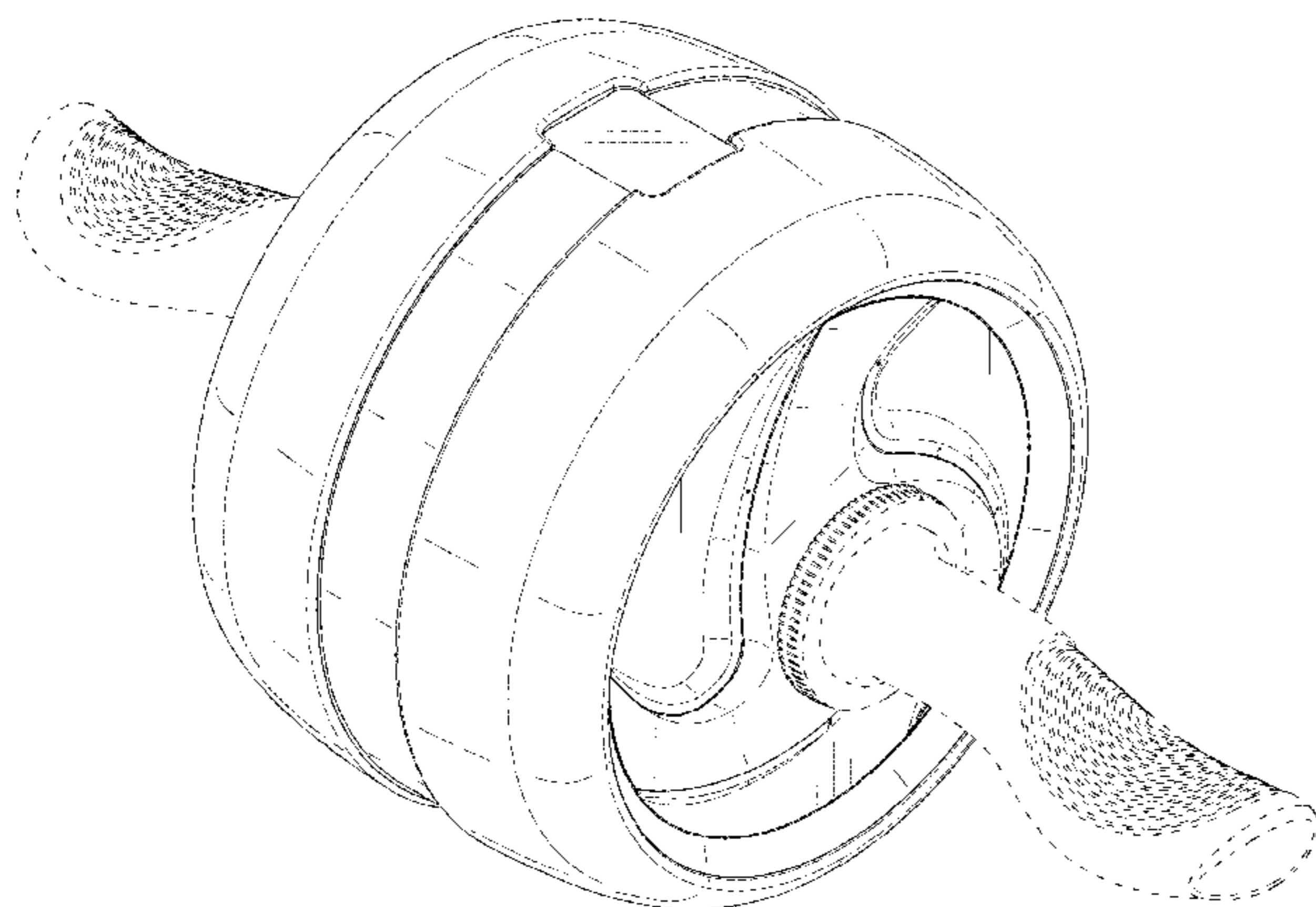
(57) **CLAIM**

The ornamental design for an abdominal wheel, as shown and described.

DESCRIPTION

FIG. 1 is a perspective view of an abdominal wheel according to a first embodiment of my new design;
FIG. 2 is a front view thereof;
FIG. 3 is a rear view thereof;
FIG. 4 is a right side view thereof;
FIG. 5 is a left side view thereof;
FIG. 6 is a top view thereof;
FIG. 7 is a bottom view thereof;
FIG. 8 is a perspective view of an abdominal wheel according to a second embodiment of my new design;
FIG. 9 is a front view thereof;
FIG. 10 is a rear view thereof;
FIG. 11 is a right side view thereof;
FIG. 12 is a left side view thereof;
FIG. 13 is a top view thereof; and,
FIG. 14 is a bottom view thereof.
The broken lines depict portions of the abdominal wheel that form no part of the claimed design.

1 Claim, 14 Drawing Sheets



(56)

References Cited

U.S. PATENT DOCUMENTS

D633,842 S * 3/2011 Scolari D12/209
D669,141 S * 10/2012 MacColl D21/662
D700,668 S * 3/2014 Flick D12/209
D852,107 S * 6/2019 Hodges D12/209
D856,890 S * 8/2019 Zhao D12/209
D864,831 S * 10/2019 Umehara D12/209
D868,663 S * 12/2019 Sham D12/209
D930,765 S * 9/2021 Ehtesham D21/684
D934,149 S * 10/2021 Peralta D12/209
2017/0080271 A1 * 3/2017 Miller A63B 23/0211

OTHER PUBLICATIONS

Perfect fitness store, announced Jan. 2013[online], [site visited Feb. 3, 2022]. Available on internet, URL:<https://www.amazon.com/Perfect-Fitness-Carver-Roller-Workouts/dp/B00B1N0R6C/ref> (Year: 2013).*

SND, announced Dec. 2020[online], [site visited Feb. 3, 2022]. Available on internet, URL:<https://www.amazon.com/SND-Digital-Counting-Roller-Workouts/dp/B08R5V683N/ref> (Year: 2020).*

* cited by examiner

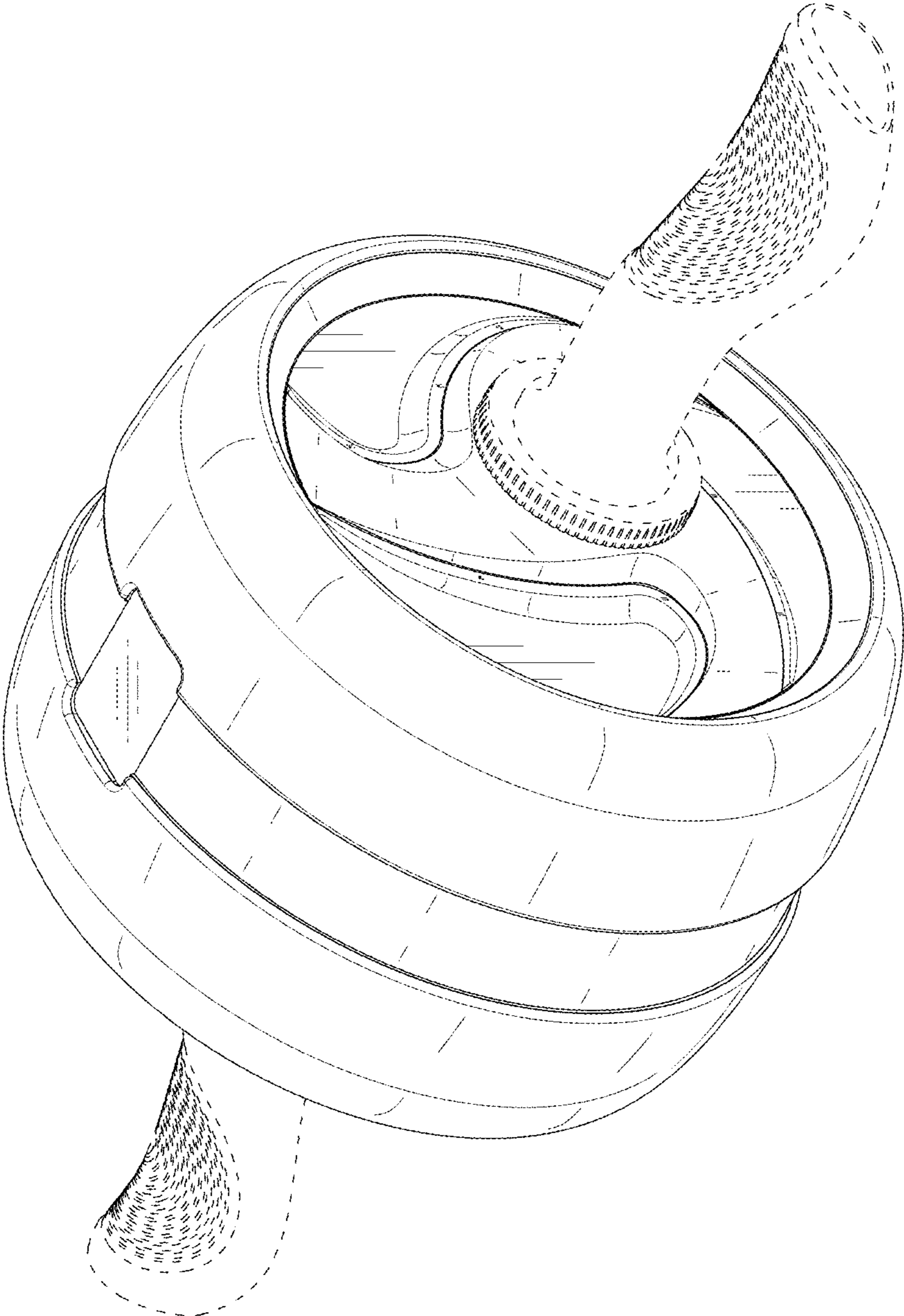


FIG. 1

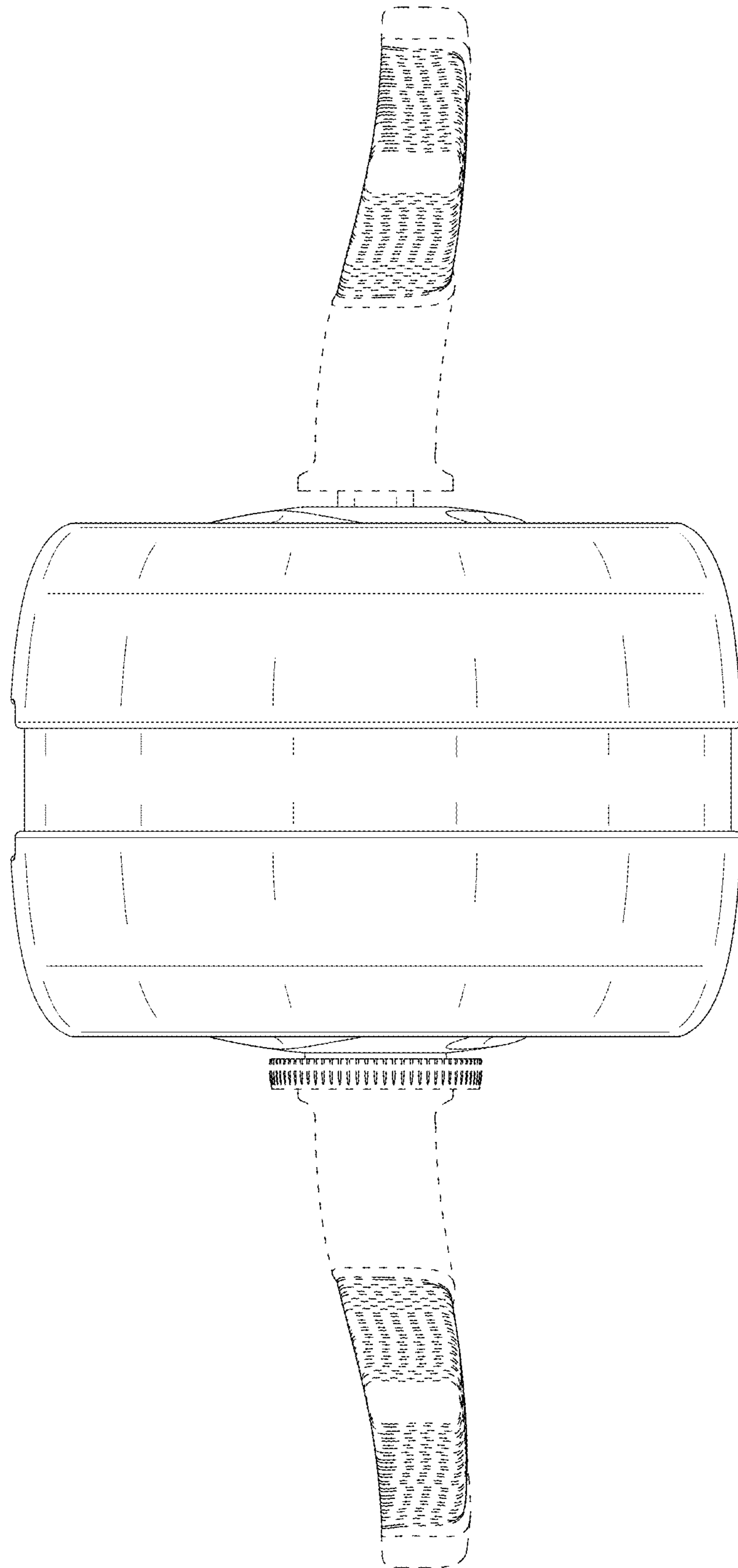


FIG. 2

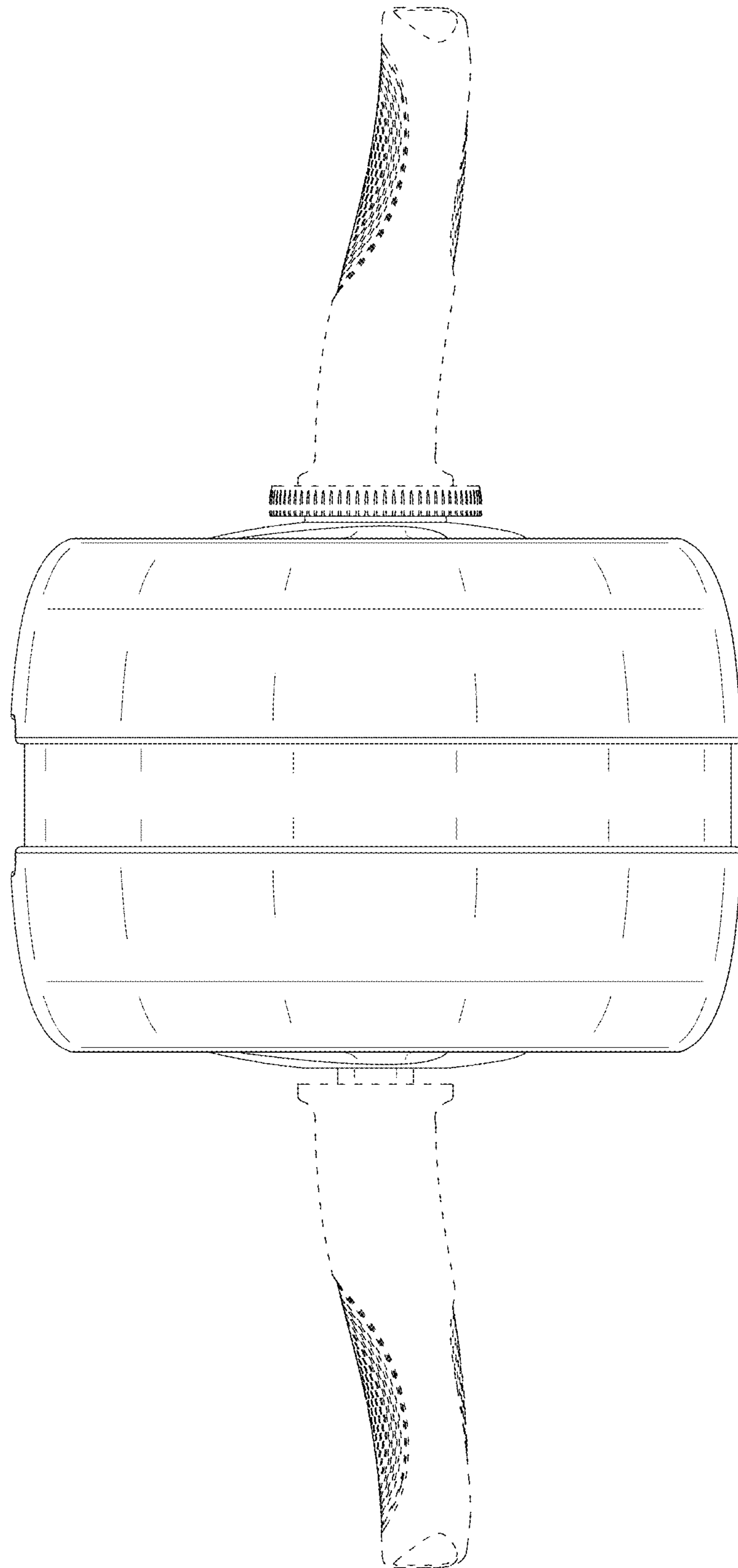


FIG. 3

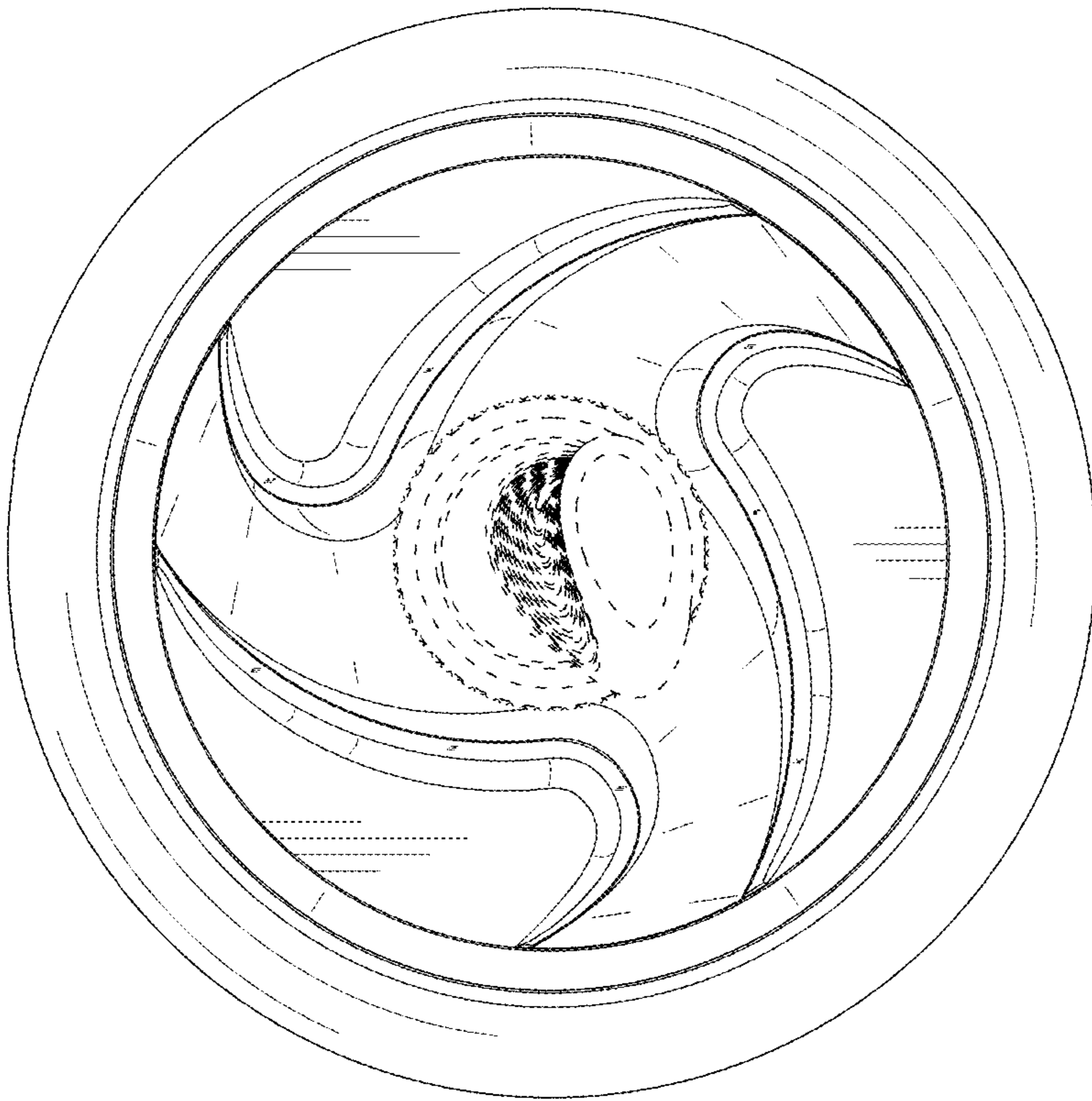


FIG. 4

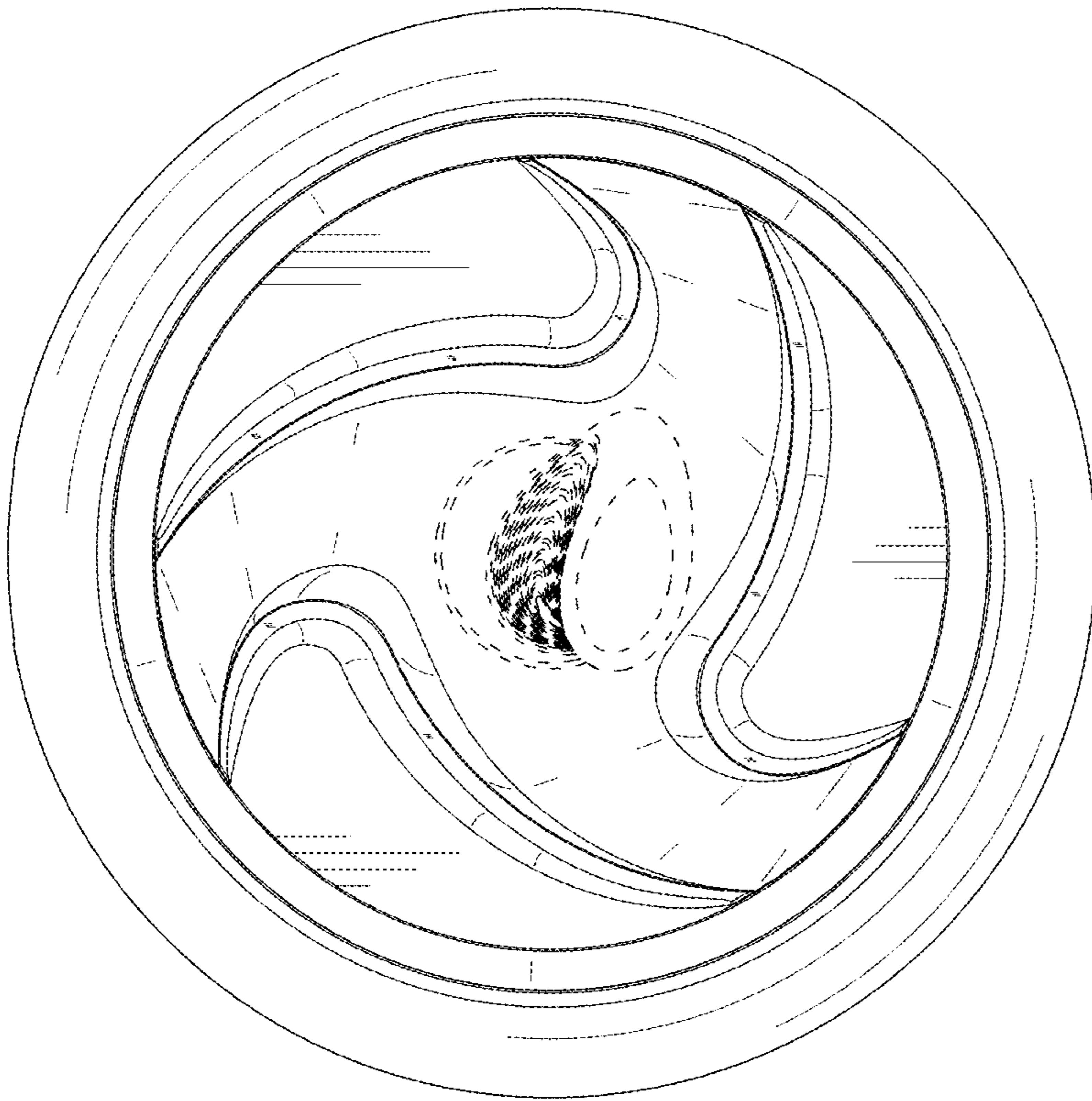


FIG. 5

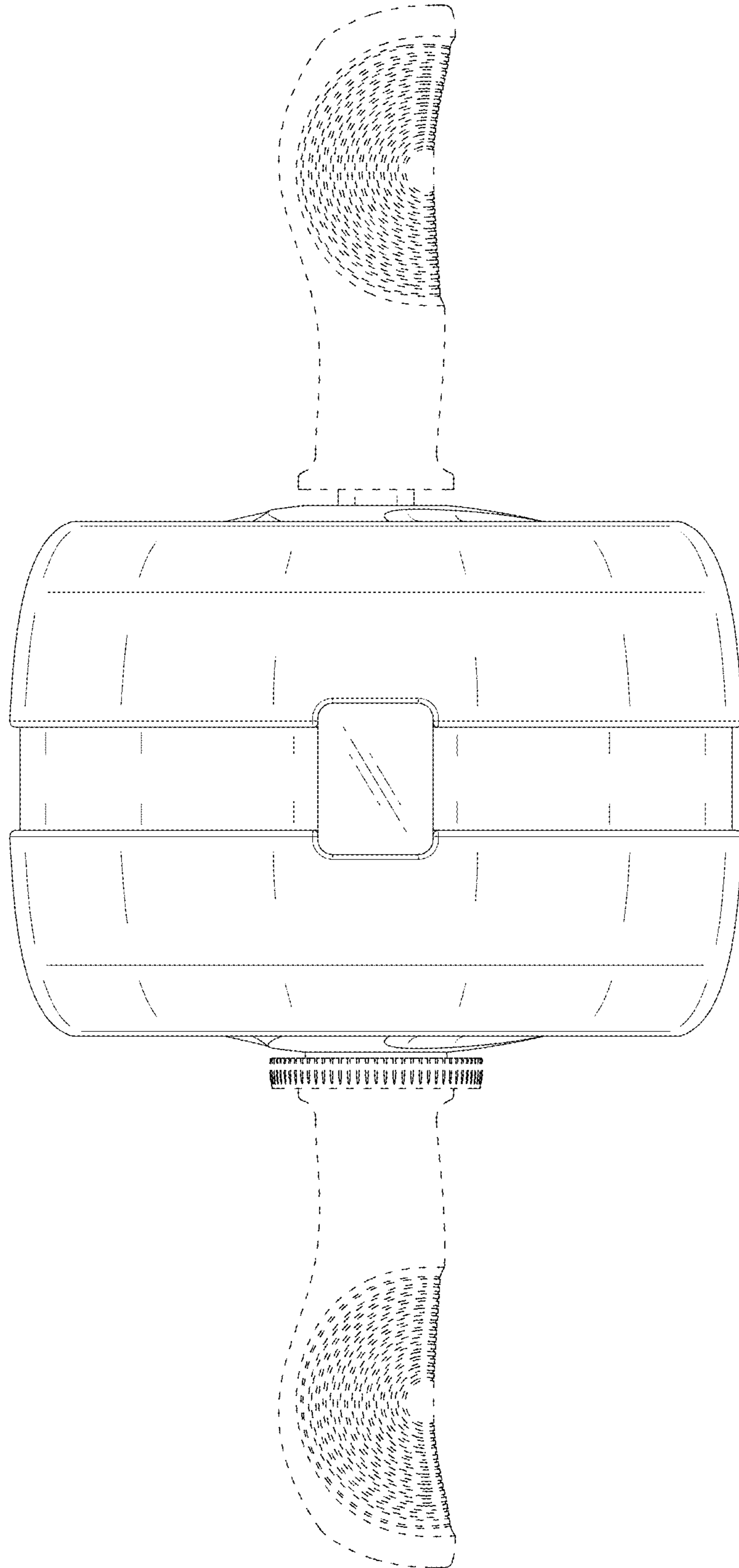


FIG. 6

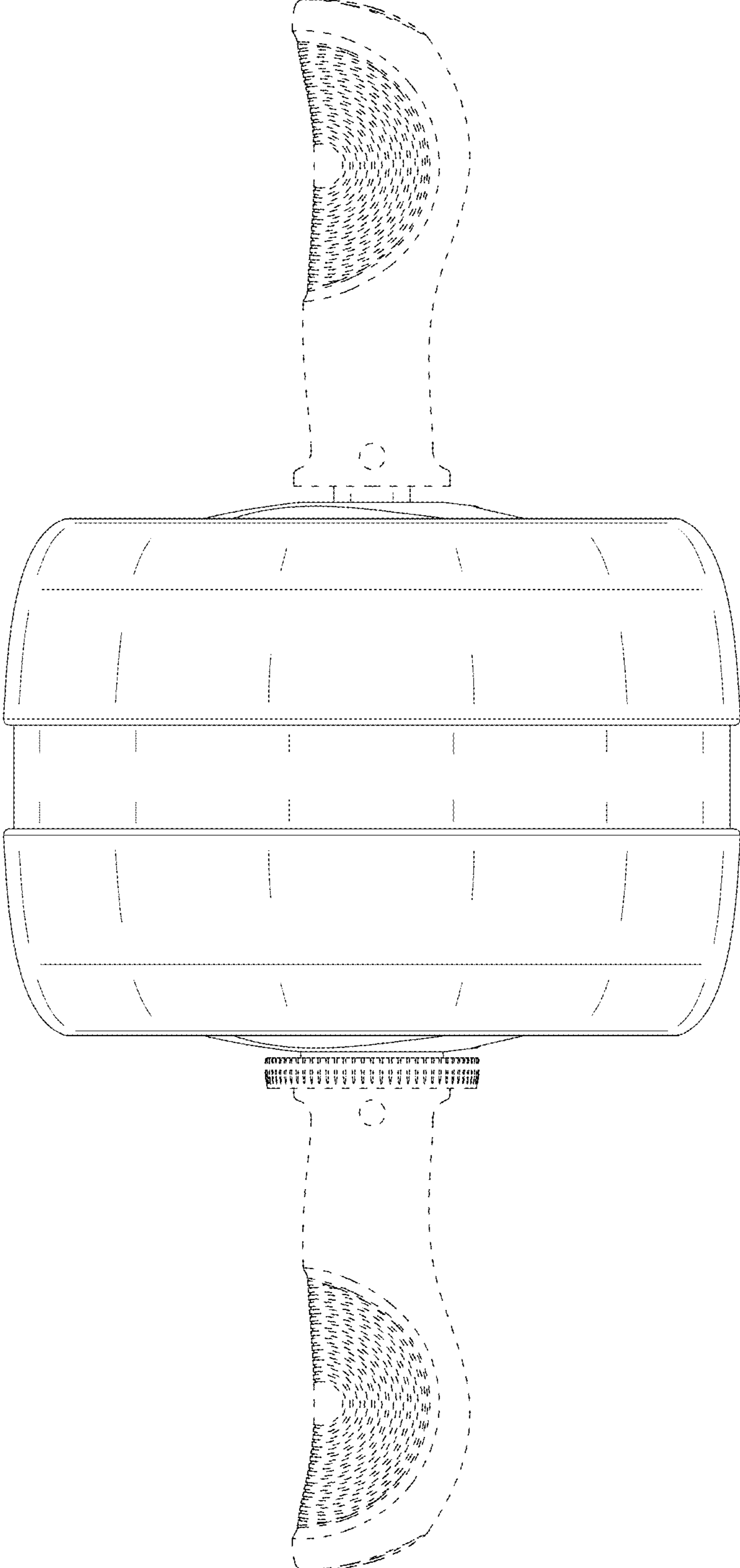


FIG. 7

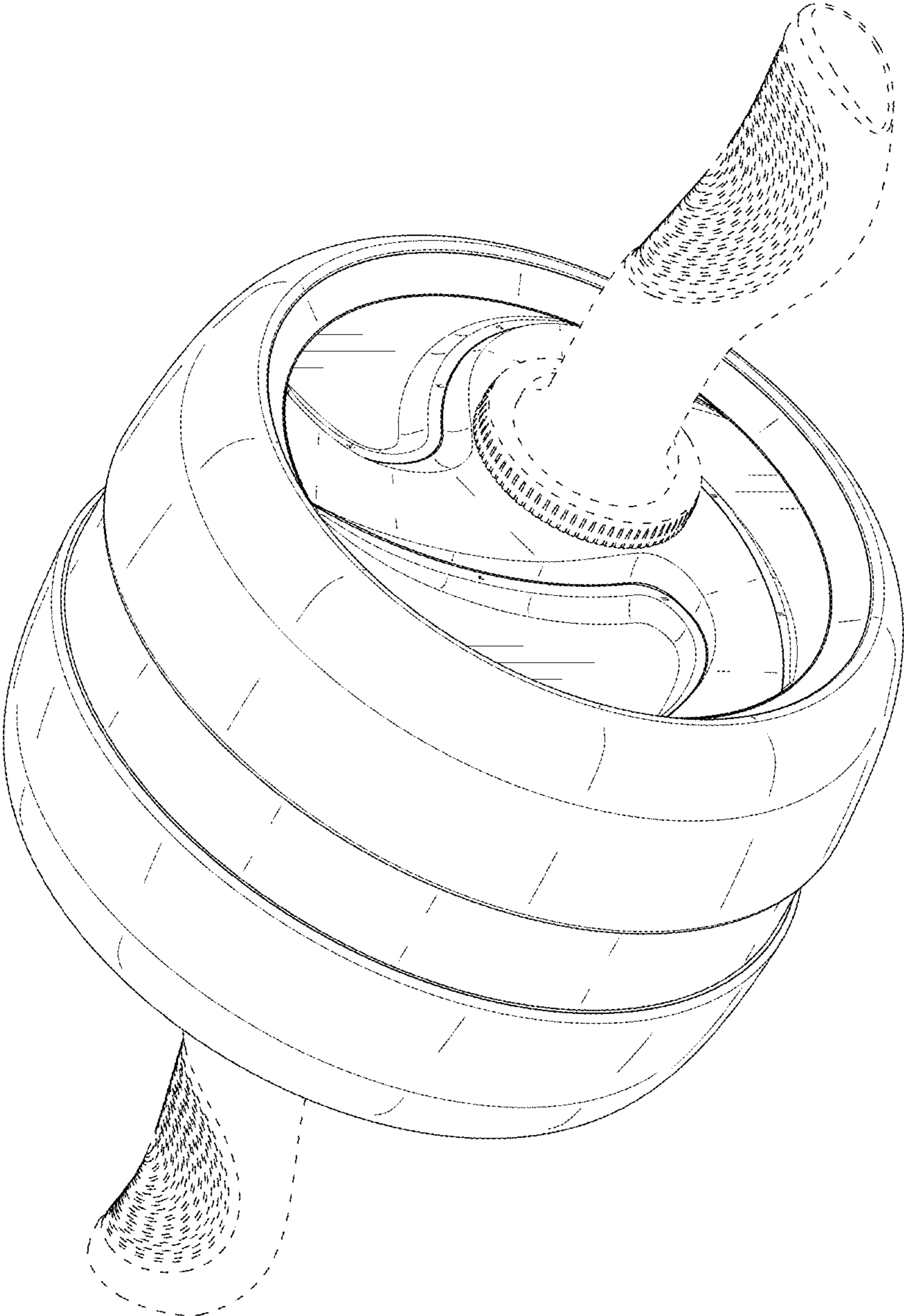


FIG. 8

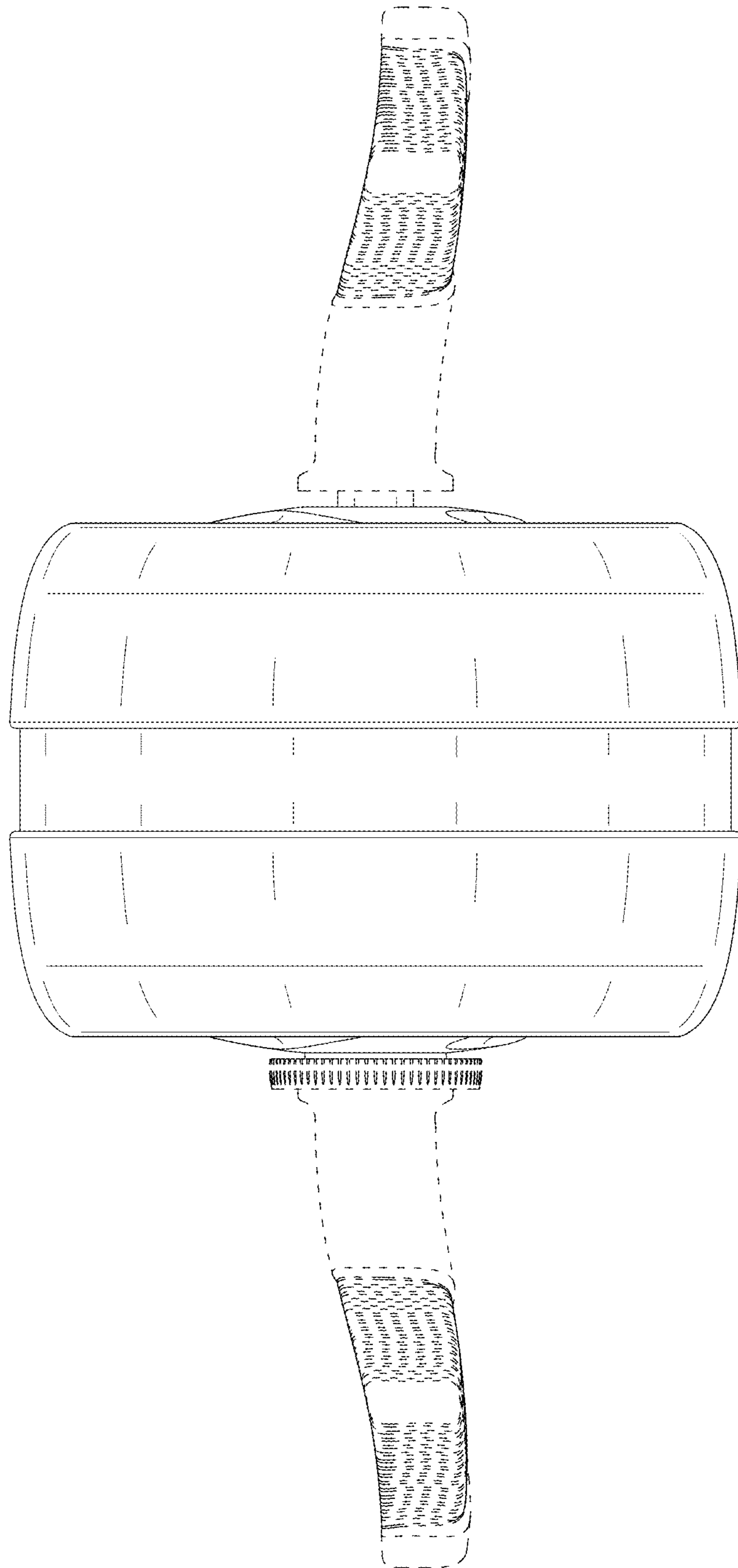


FIG. 9

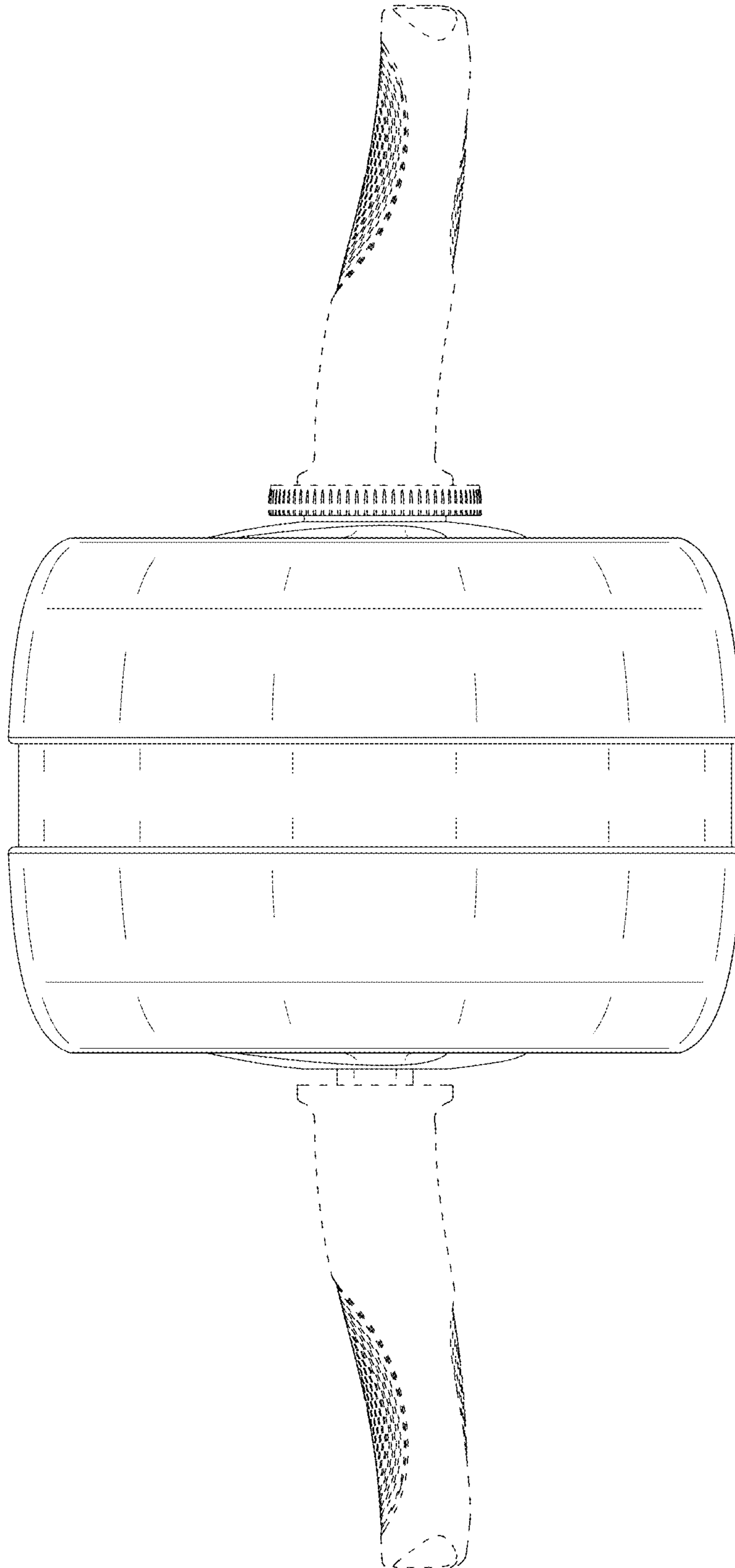


FIG. 10

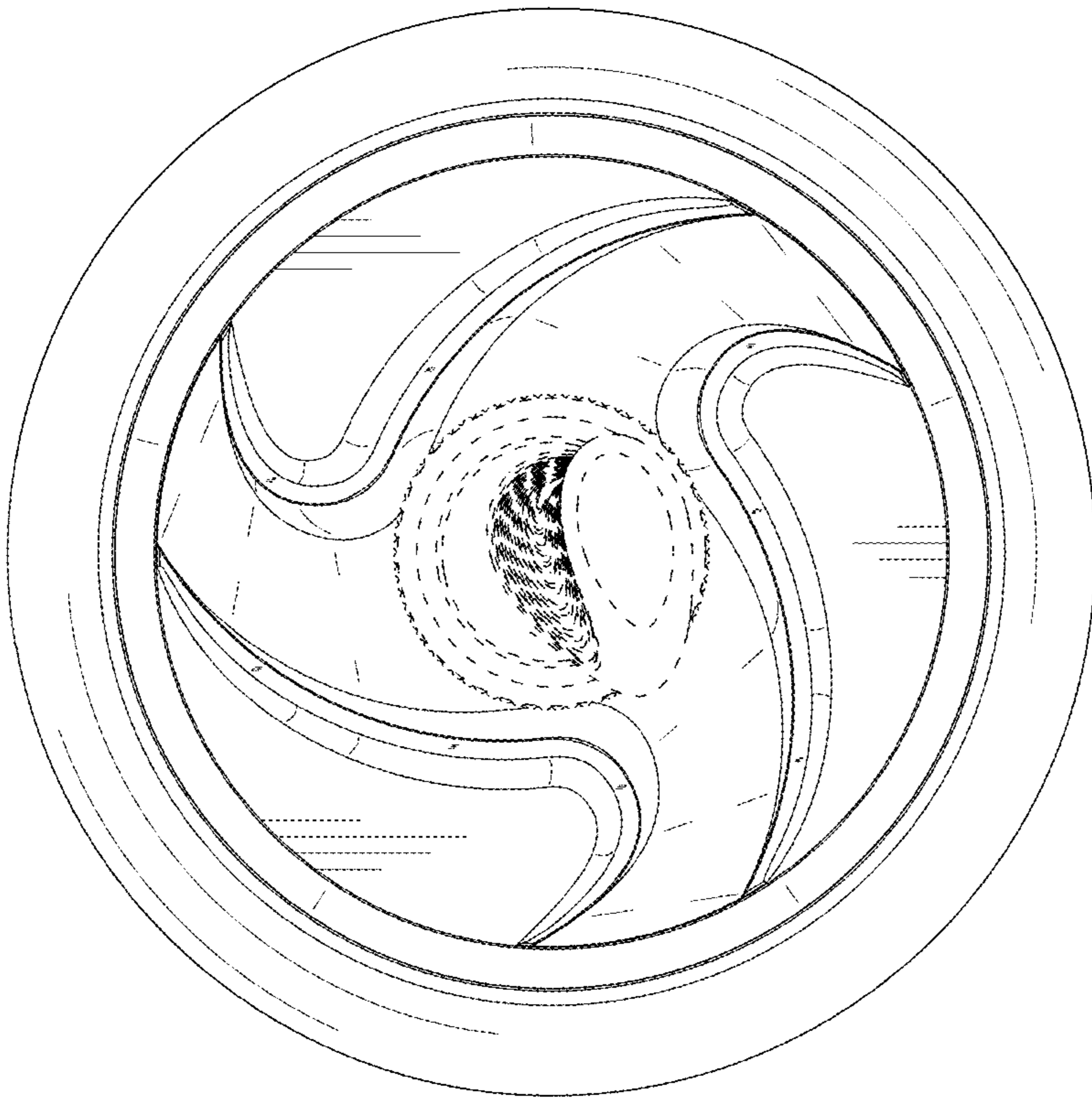


FIG. 11

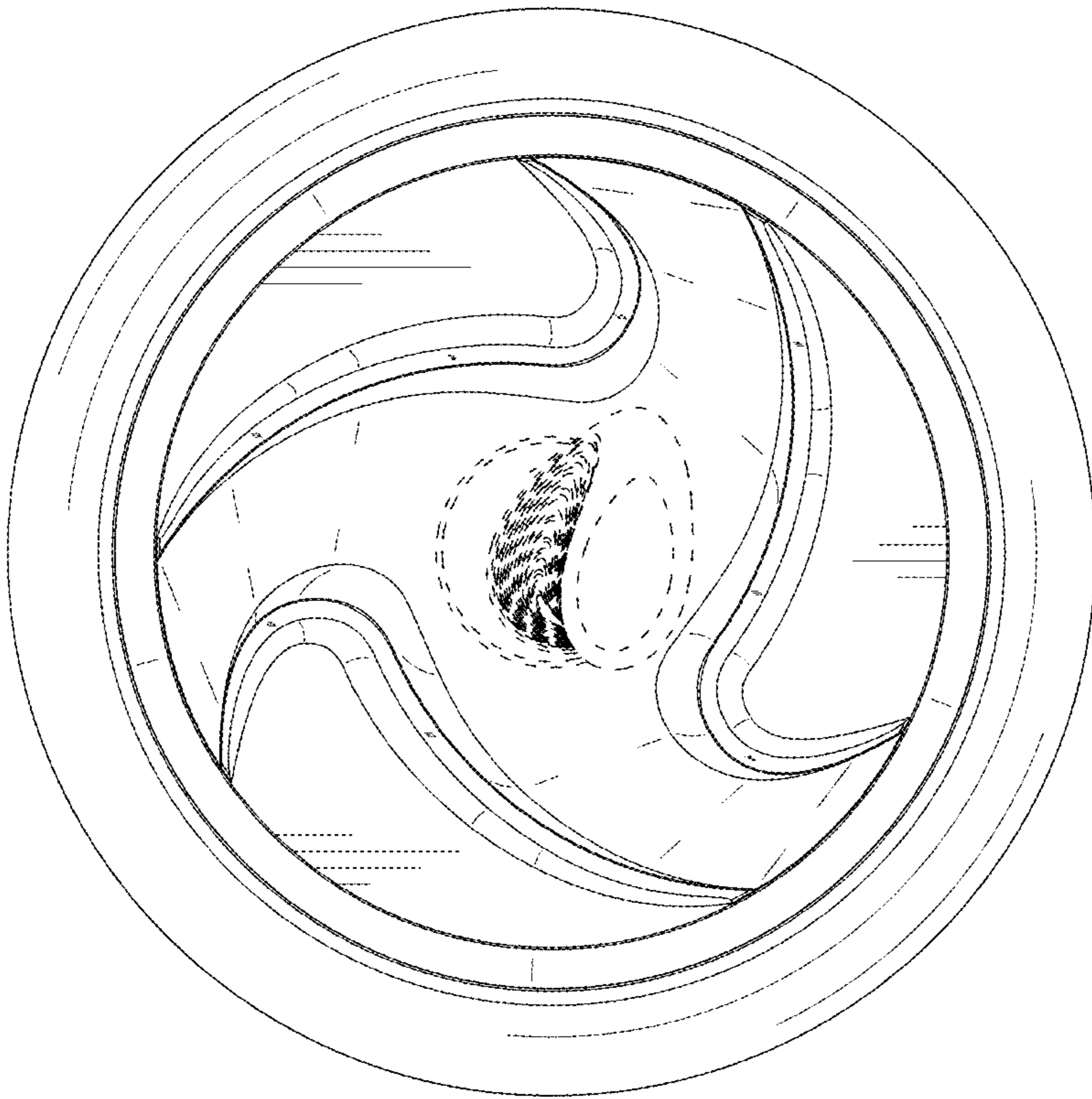


FIG. 12

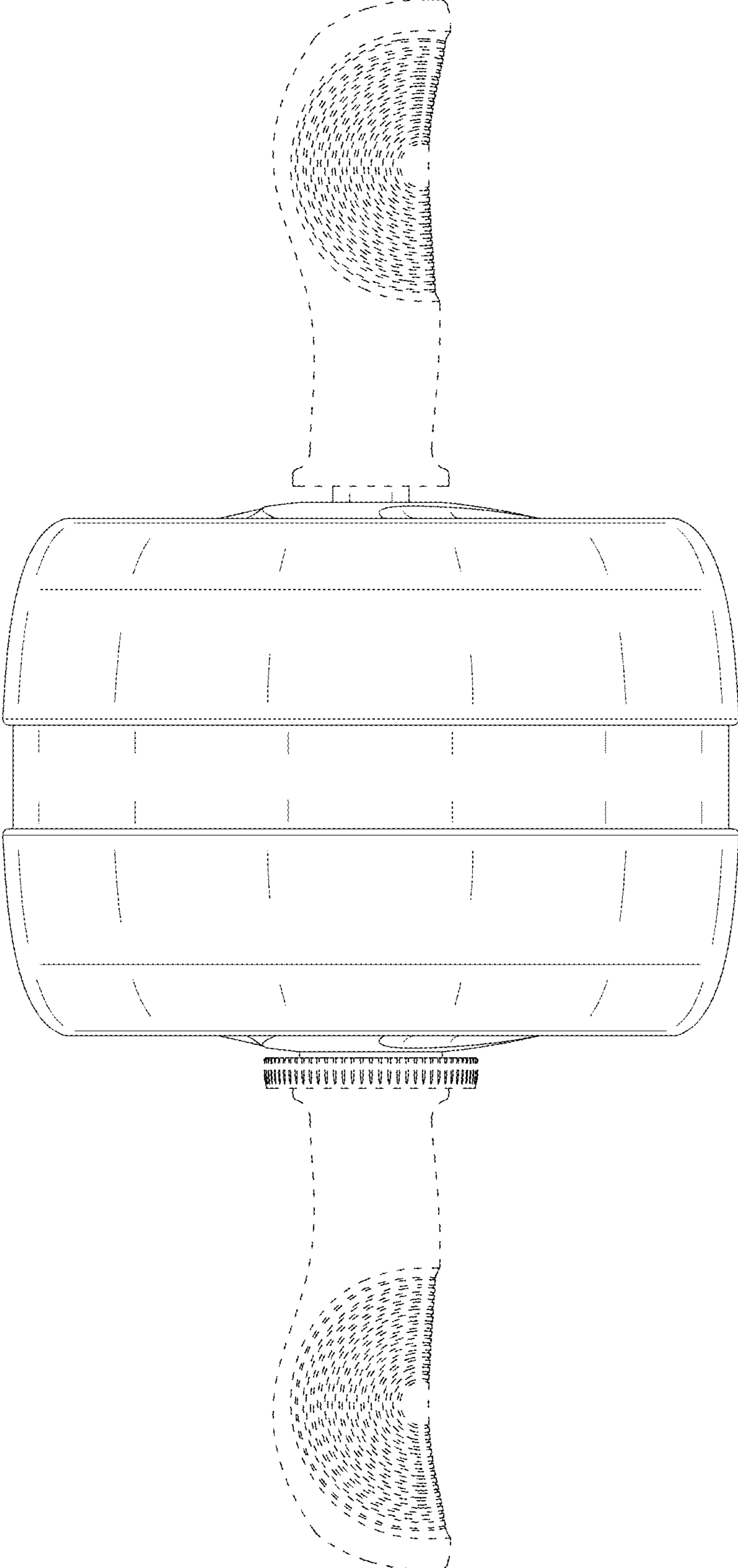


FIG. 13

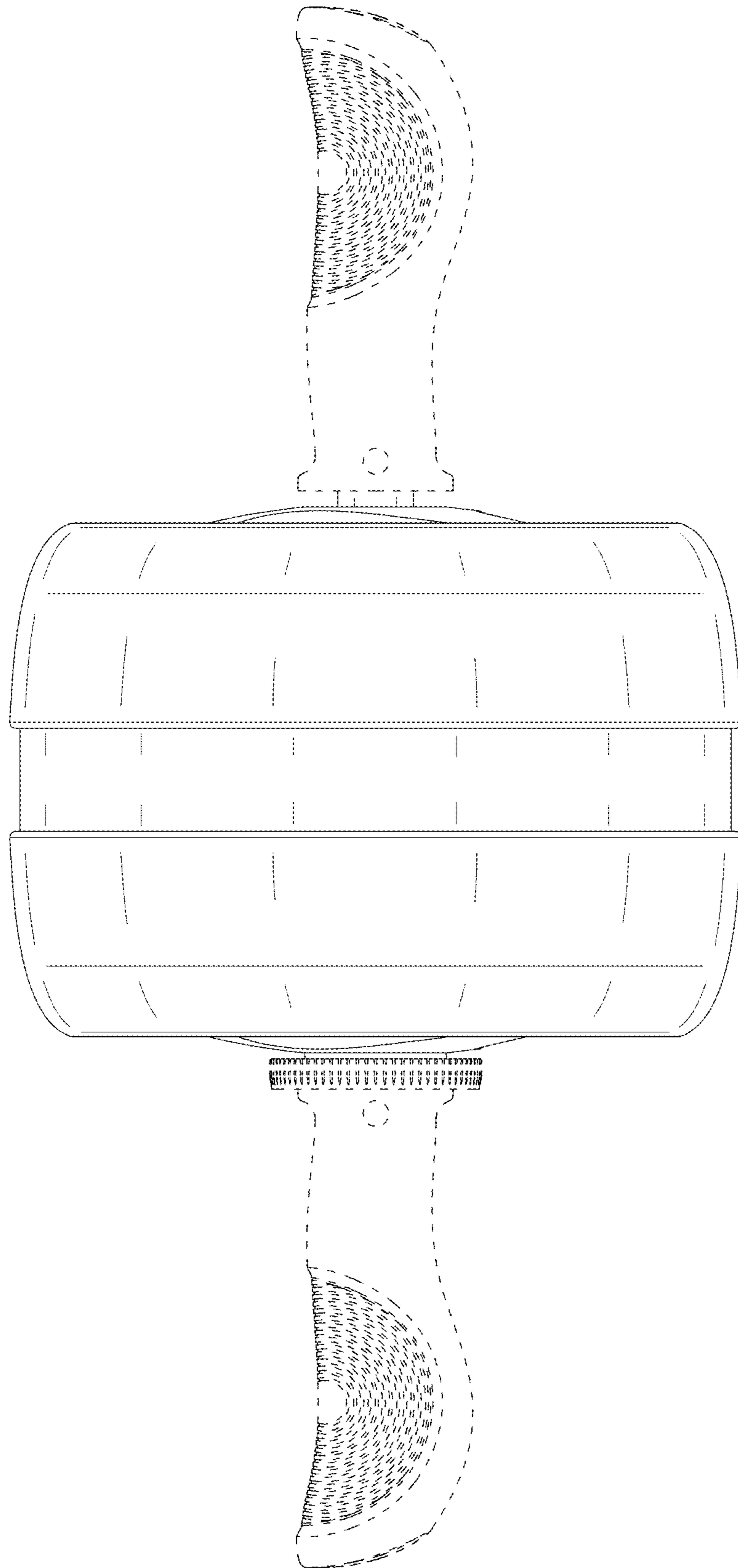


FIG. 14