



US00D951375S

(12) **United States Design Patent**
Zhu

(10) **Patent No.:** **US D951,375 S**
(45) **Date of Patent:** **** May 10, 2022**

(54) **MULTIFUNCTIONAL FITNESS CHAIR**

(71) Applicant: **Zhejiang Raytheon Technology Co., Ltd.**, Zhejiang (CN)

(72) Inventor: **Xiangjun Zhu**, Zhejiang (CN)

(73) Assignee: **Zhejiang Raytheon Technology Co., Ltd.**, Zhejiang (CN)

(**) Term: **15 Years**

(21) Appl. No.: **29/699,285**

(22) Filed: **Jul. 24, 2019**

(30) **Foreign Application Priority Data**

Jan. 24, 2019 (CN) 201930040799.0

(51) **LOC (13) Cl.** **21-01**

(52) **U.S. Cl.**
USPC **D21/686; D6/353**

(58) **Field of Classification Search**
USPC D21/686–691, 694–695; D6/349,
D6/353–355, 368
See application file for complete search history.

(56) **References Cited**

U.S. PATENT DOCUMENTS

- 5,573,485 A * 11/1996 Geschwender A63B 23/0233
482/112
- 5,634,887 A * 6/1997 Fortier A61H 15/00
601/115
- 5,772,614 A * 6/1998 Lindquist A63B 21/00196
601/116
- 5,833,590 A * 11/1998 Chiu A63B 21/0552
482/142
- D424,142 S * 5/2000 McBride D21/686
- 6,231,489 B1 * 5/2001 McBride A63B 21/068
482/132

- 6,312,401 B1 * 11/2001 Smith A61H 1/0218
482/142
- 7,115,081 B2 * 10/2006 Stearns A63B 21/055
482/140
- 7,125,366 B1 * 10/2006 Yeh A63B 21/055
482/140
- D541,357 S * 4/2007 Webber D21/690
- D541,358 S * 4/2007 Webber D21/690
- D582,494 S * 12/2008 Elnekaveh D21/687
- D647,153 S * 10/2011 Mishan D21/687
- D770,577 S * 11/2016 Augustine D21/690
- D791,888 S * 7/2017 Huang D21/687

(Continued)

OTHER PUBLICATIONS

“Core Fitness Abdominal Trainer Crunch Exercise Bench Machine” Jun. 29, 2018 site visited Sep. 20, 2021: <https://www.costway.ca/core-fitness-abdominal-trainer-bench-machine.html> (Year: 2018).*

Primary Examiner — Michael C Stout

Assistant Examiner — Melvin L Davis

(74) *Attorney, Agent, or Firm* — Muncy, Geissler, Olds & Lowe, P.C.

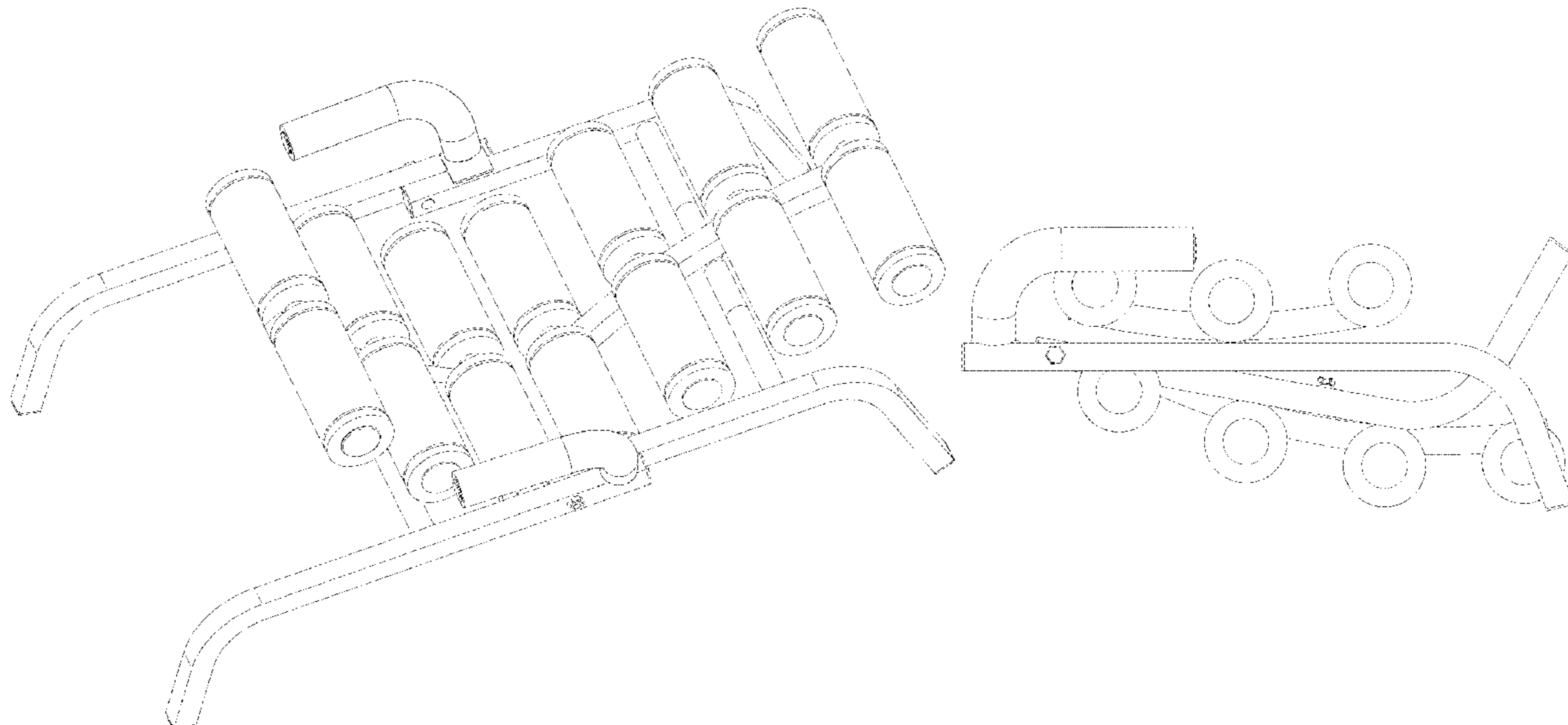
(57) **CLAIM**

The ornamental design for a multifunctional fitness chair, as shown and described.

DESCRIPTION

FIG. 1 is a perspective view of a multifunctional fitness chair showing my new design;
FIG. 2 is a front elevational view thereof;
FIG. 3 is a rear elevational view thereof;
FIG. 4 is a left side view thereof;
FIG. 5 is a right side view thereof;
FIG. 6 is a top plan view thereof;
FIG. 7 is a bottom plan view thereof; and,
FIG. 8 is a right side view showing the multifunctional fitness chair in an alternative folded position.

1 Claim, 8 Drawing Sheets



(56)

References Cited

U.S. PATENT DOCUMENTS

D814,577 S * 4/2018 Lalaoua D21/688
D843,518 S * 3/2019 Lien D21/690
2014/0364288 A1* 12/2014 Chuang A63B 21/00181
482/122
2015/0105226 A1* 4/2015 Lalaoua A63B 21/0023
482/140
2017/0296867 A1* 10/2017 Doane A61H 1/008

* cited by examiner

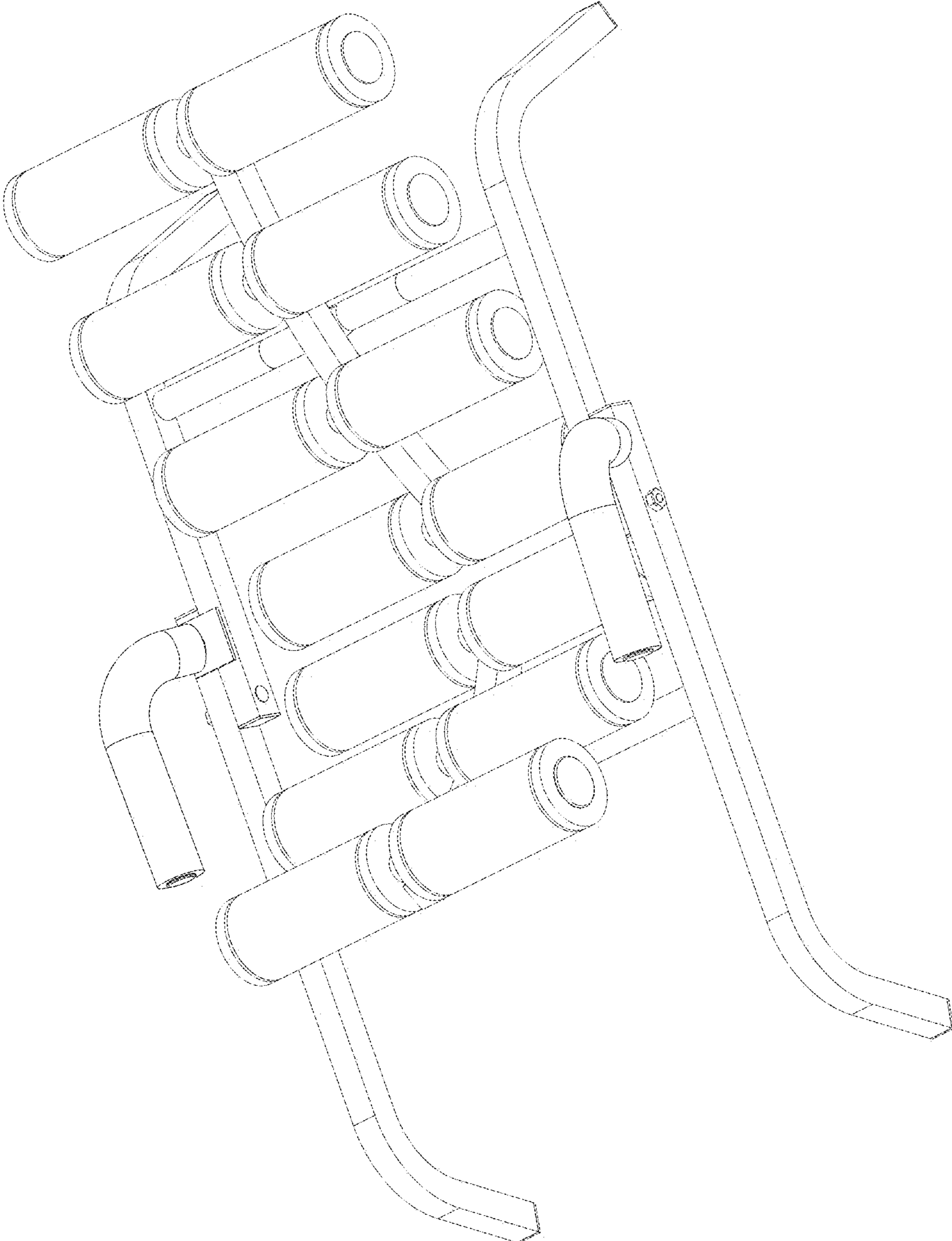


FIG. 1

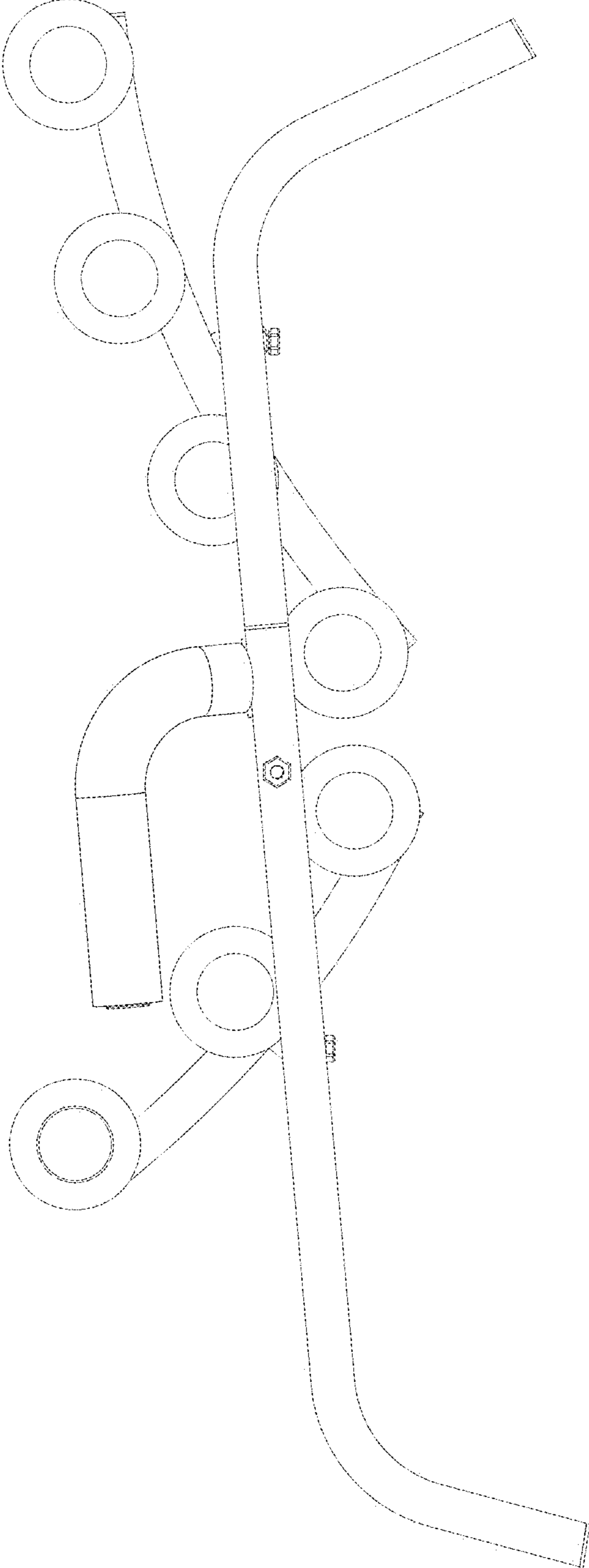


FIG. 2

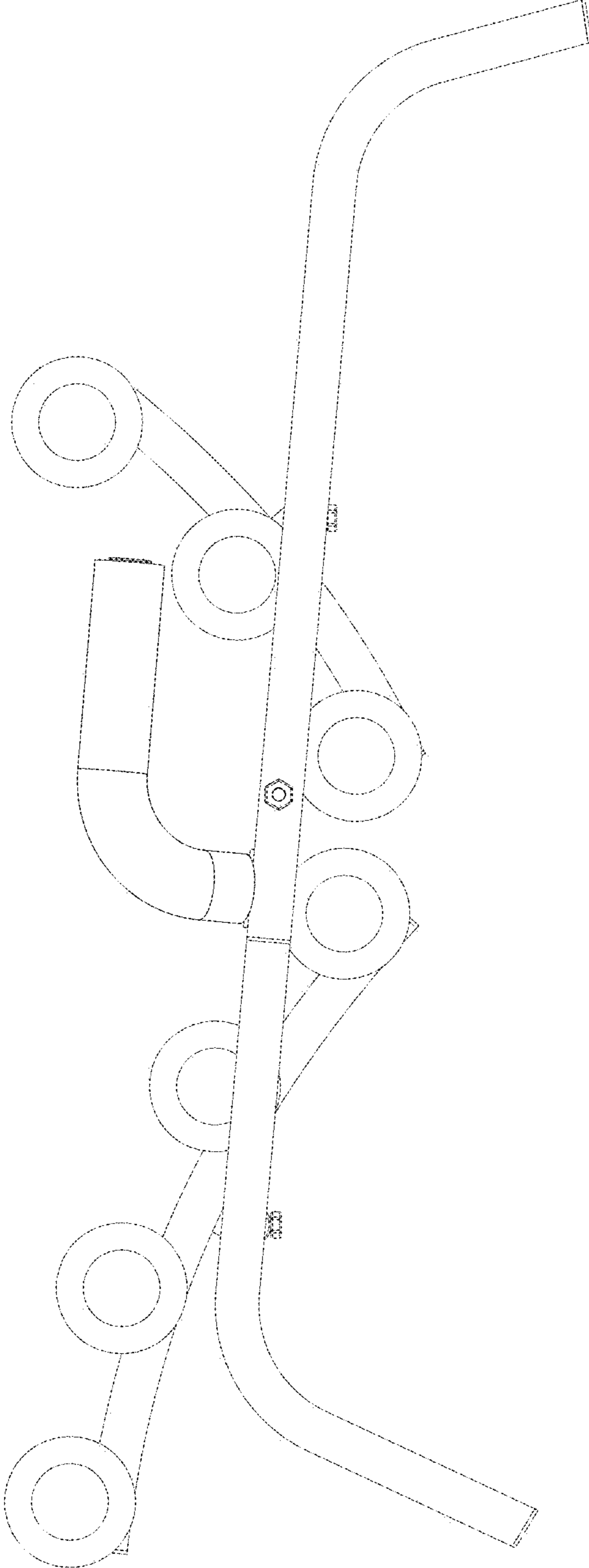


FIG. 3

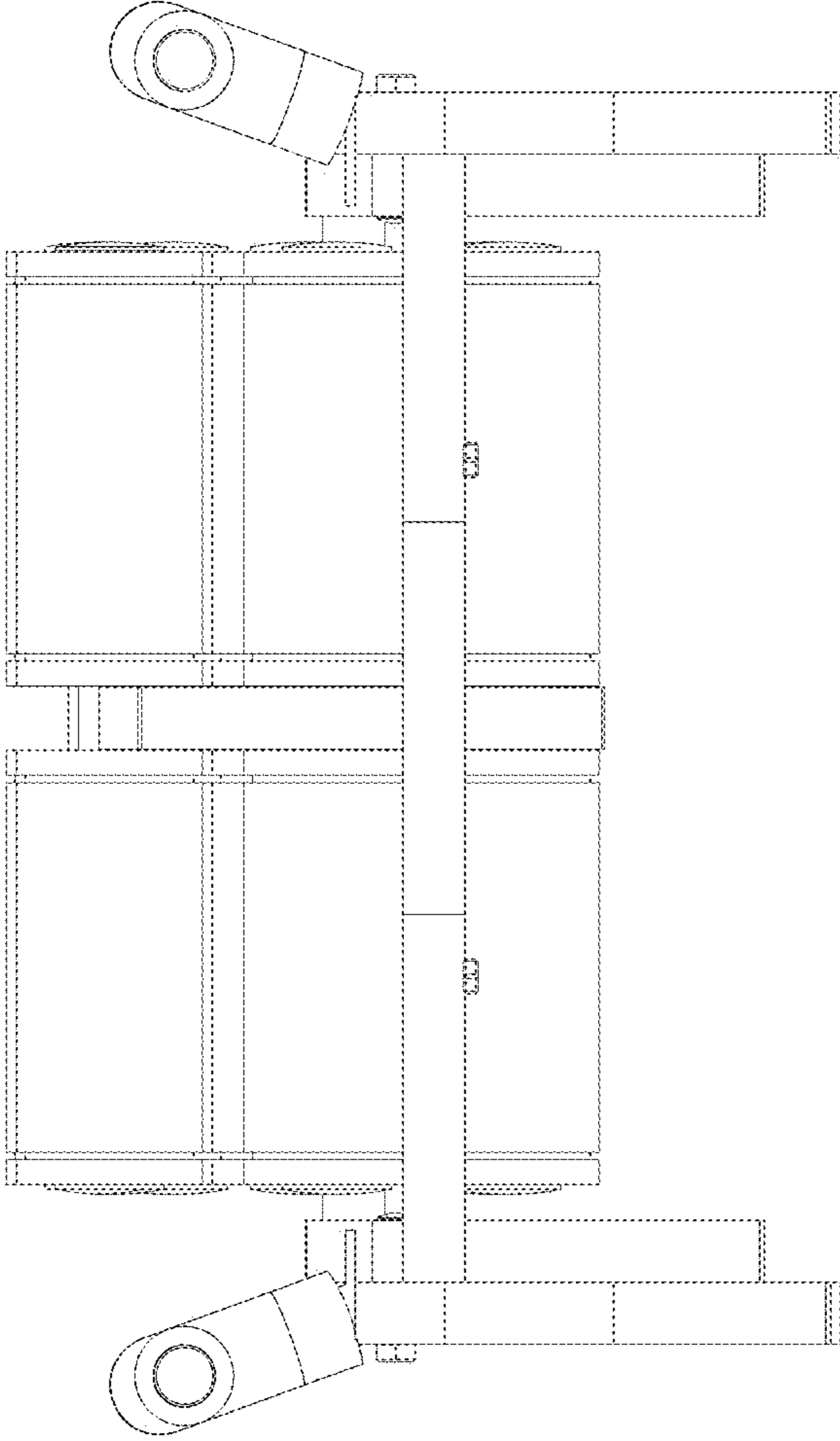


FIG. 4

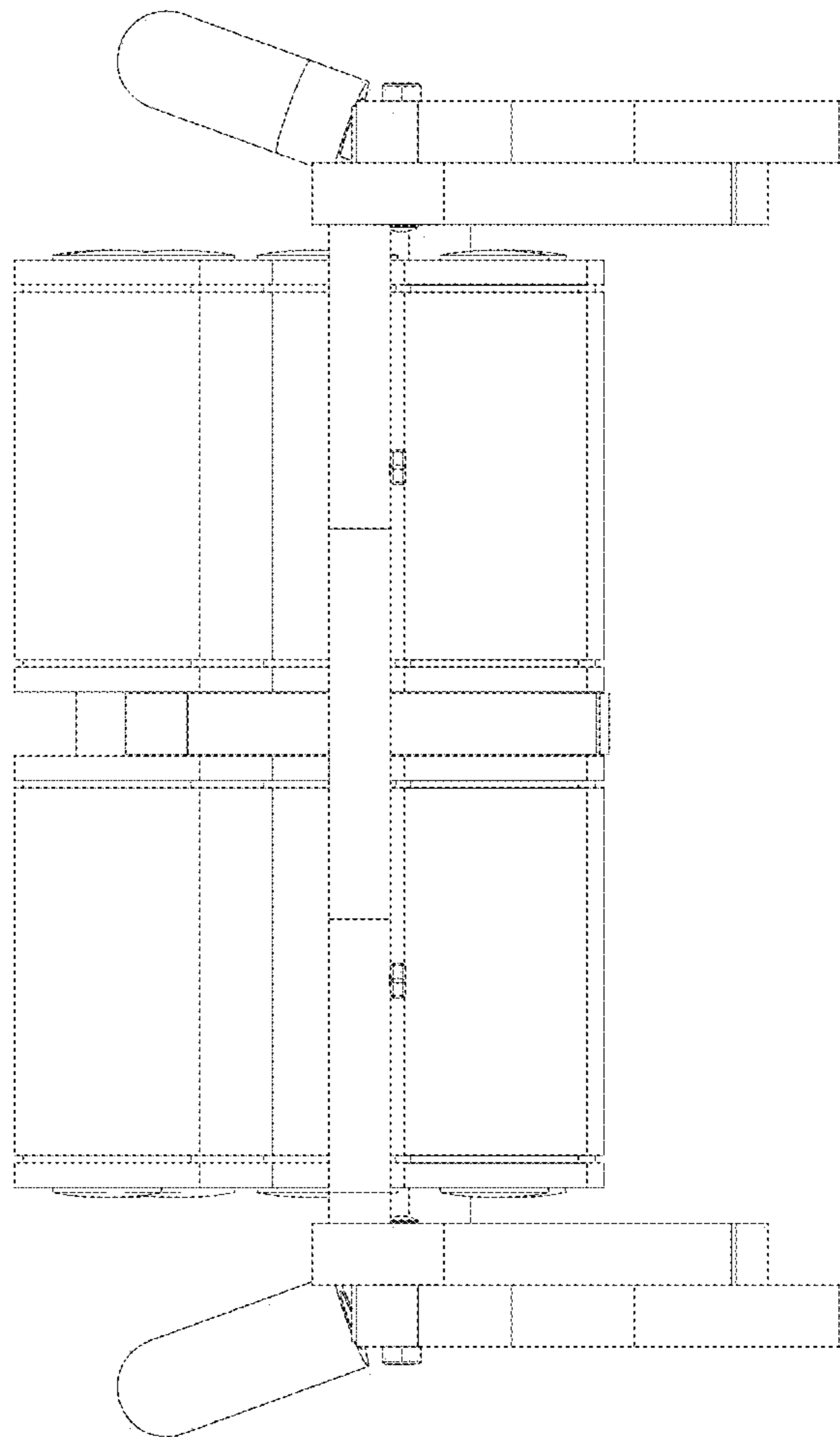


FIG. 5

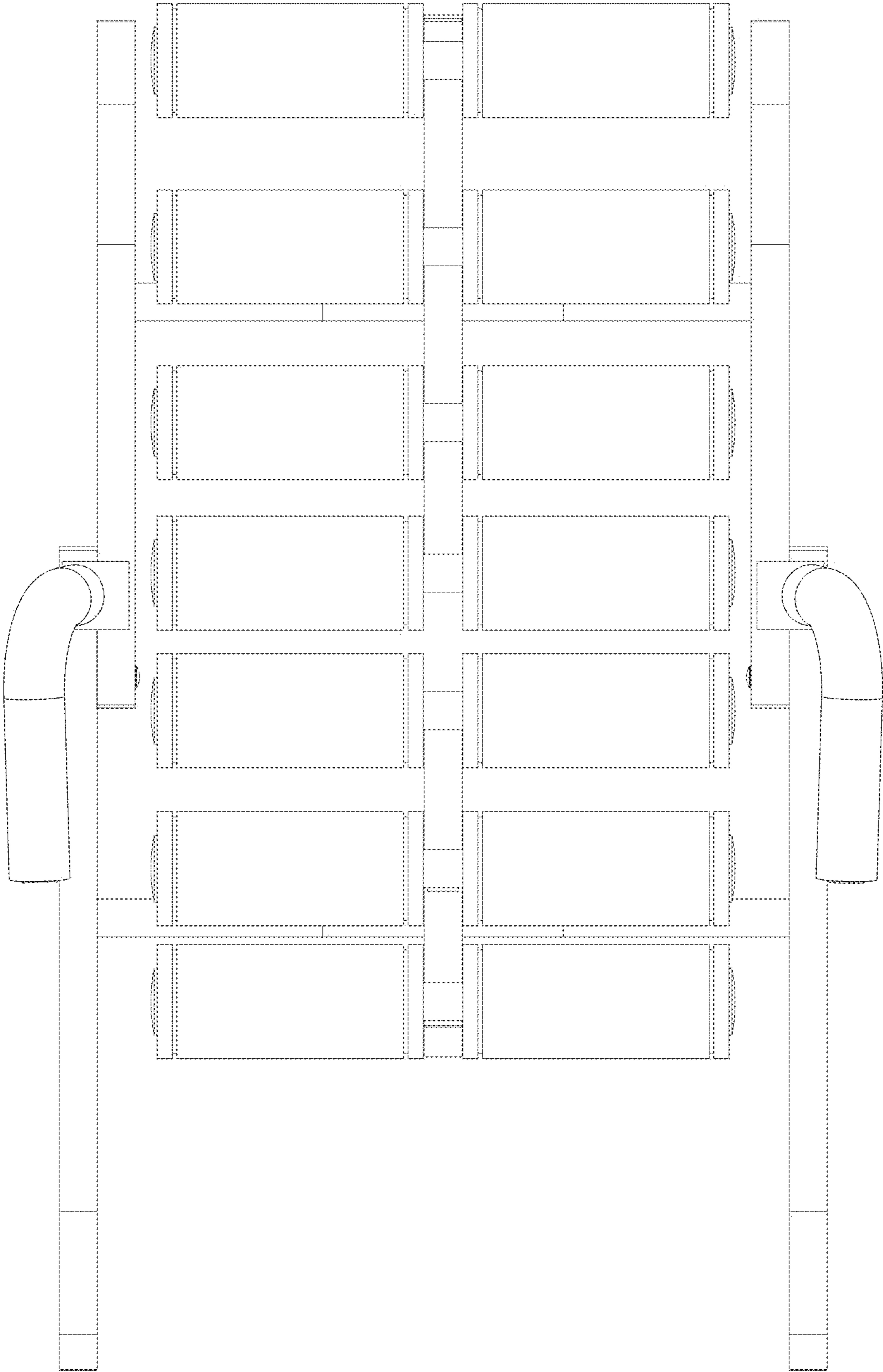


FIG. 6

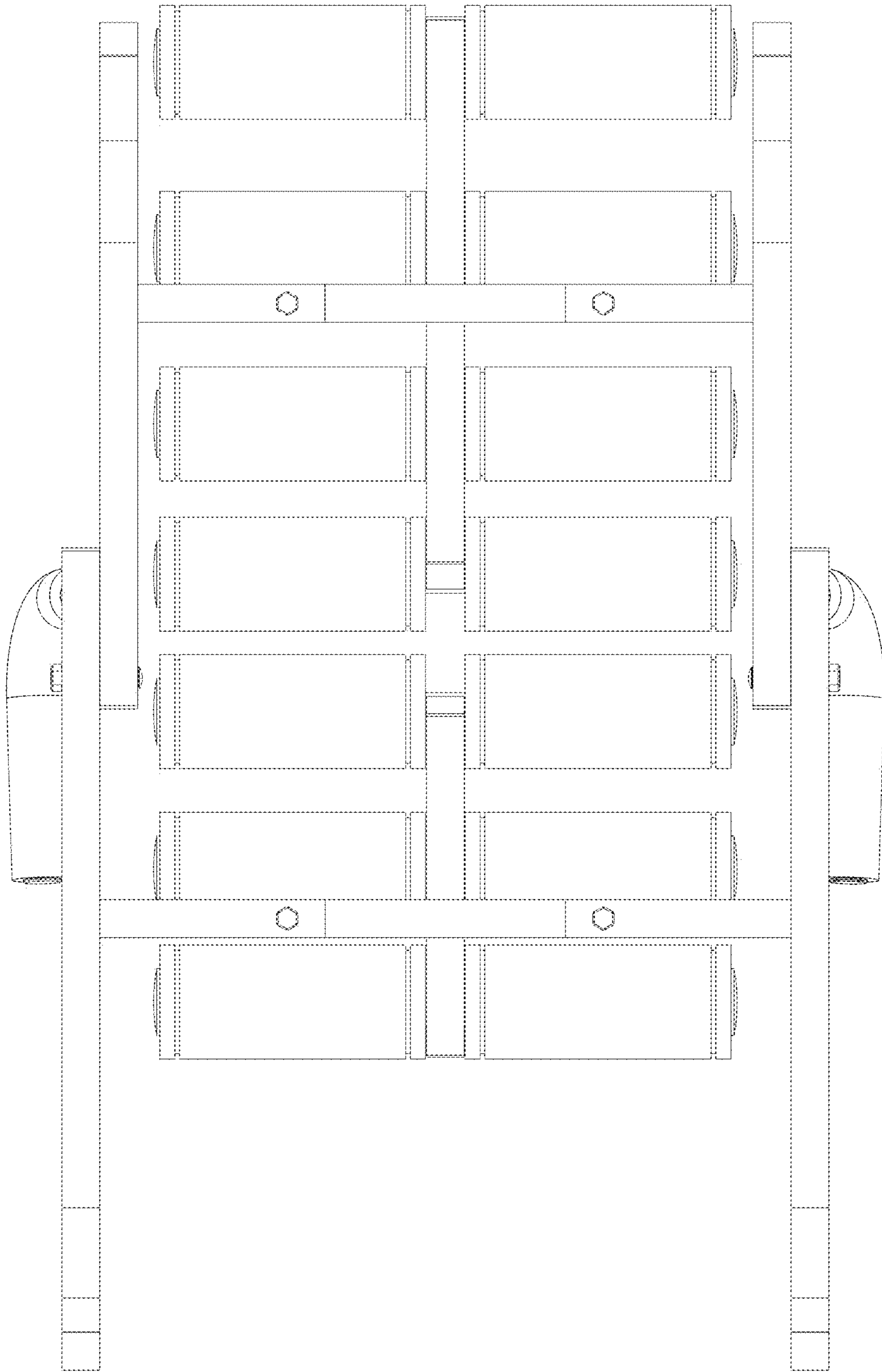


FIG. 7

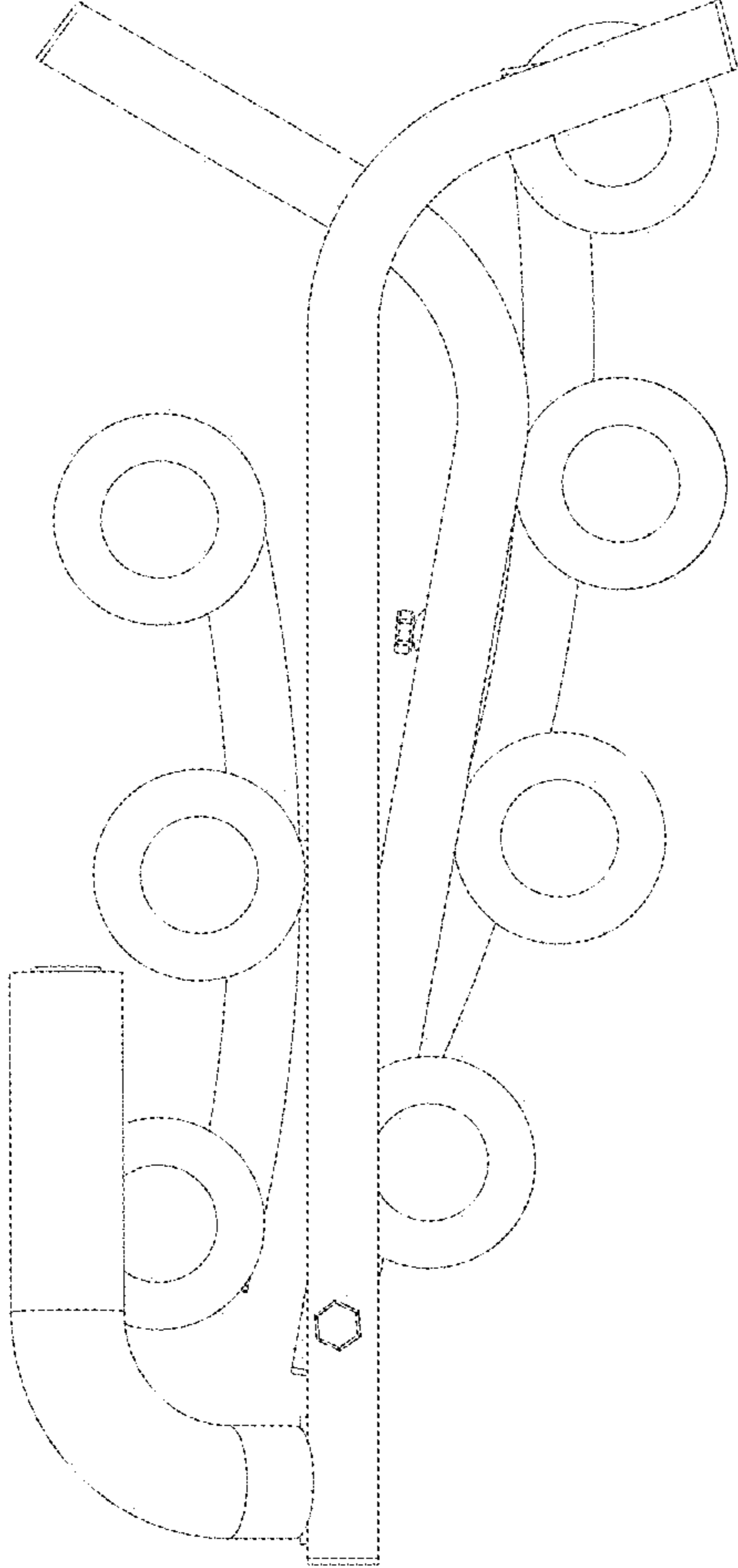


FIG. 8