



US00D951373S

(12) **United States Design Patent** (10) **Patent No.:** **US D951,373 S**
Todd, Jr. et al. (45) **Date of Patent:** **** May 10, 2022**

(54) **EXERCISE HARNESS**

D668,393 S * 10/2012 Hogbin D29/101.1
D739,085 S * 9/2015 Tadeo D29/101.1
2021/0113880 A1* 4/2021 Bassoo A63B 21/4007

(71) Applicant: **Total Resistance LLC**, Wilmington, DE (US)

(72) Inventors: **Joseph Franklin Todd, Jr.**, Wilmington, DE (US); **Charles Oscar Todd**, Wilmington, DE (US)

(73) Assignee: **TOTAL RESISTANCE, LLC**, Wilmington, DE (US)

(**) Term: **15 Years**

(21) Appl. No.: **29/738,624**

(22) Filed: **Jun. 18, 2020**

(51) **LOC (13) Cl.** **21-02**

(52) **U.S. Cl.**
USPC **D21/683**

(58) **Field of Classification Search**
USPC D21/798, 692, 804, 654, 487, 679, 688,
D21/412, 400, 791, 725, 386, 694, 680,
D21/683, 662; D2/624, 625, 627, 626,
D2/640, 639; D29/100, 101.1, 101.5;
D30/144, 152; D24/190

See application file for complete search history.

(56) **References Cited**

U.S. PATENT DOCUMENTS

397,061 A * 1/1889 Atwood A41F 3/00
2/334
562,582 A * 6/1896 Cooney A41F 11/02
2/305
3,132,779 A * 5/1964 Terence A45F 3/047
224/267
D238,208 S * 12/1975 Hesen D24/168
D326,492 S * 5/1992 Leibowitz D21/683
D342,108 S * 12/1993 Leibowitz D21/683
D396,735 S * 8/1998 Brickler D2/626

OTHER PUBLICATIONS

Black hawk suspender, announced 2011 [online], [site visited Jul. 31, 2021]. Available on internet, URL: https://www.amazon.com/BLACKHAWK-Load-Bearing-Suspenders-Harness/dp/B001AT4Z1U/ref=sr_1_204?dchild=1&keywords=weight+carrier+vest&qid=1628021959&sr=8-204 (Year: 2011).
Images of Previous Resistance Harness first available Aug. 2016.

* cited by examiner

Primary Examiner — Khawaja Anwar

Assistant Examiner — Julice Seung Eun Oum

(74) *Attorney, Agent, or Firm* — Panitch Schwarze
Belisario & Nadel LLP

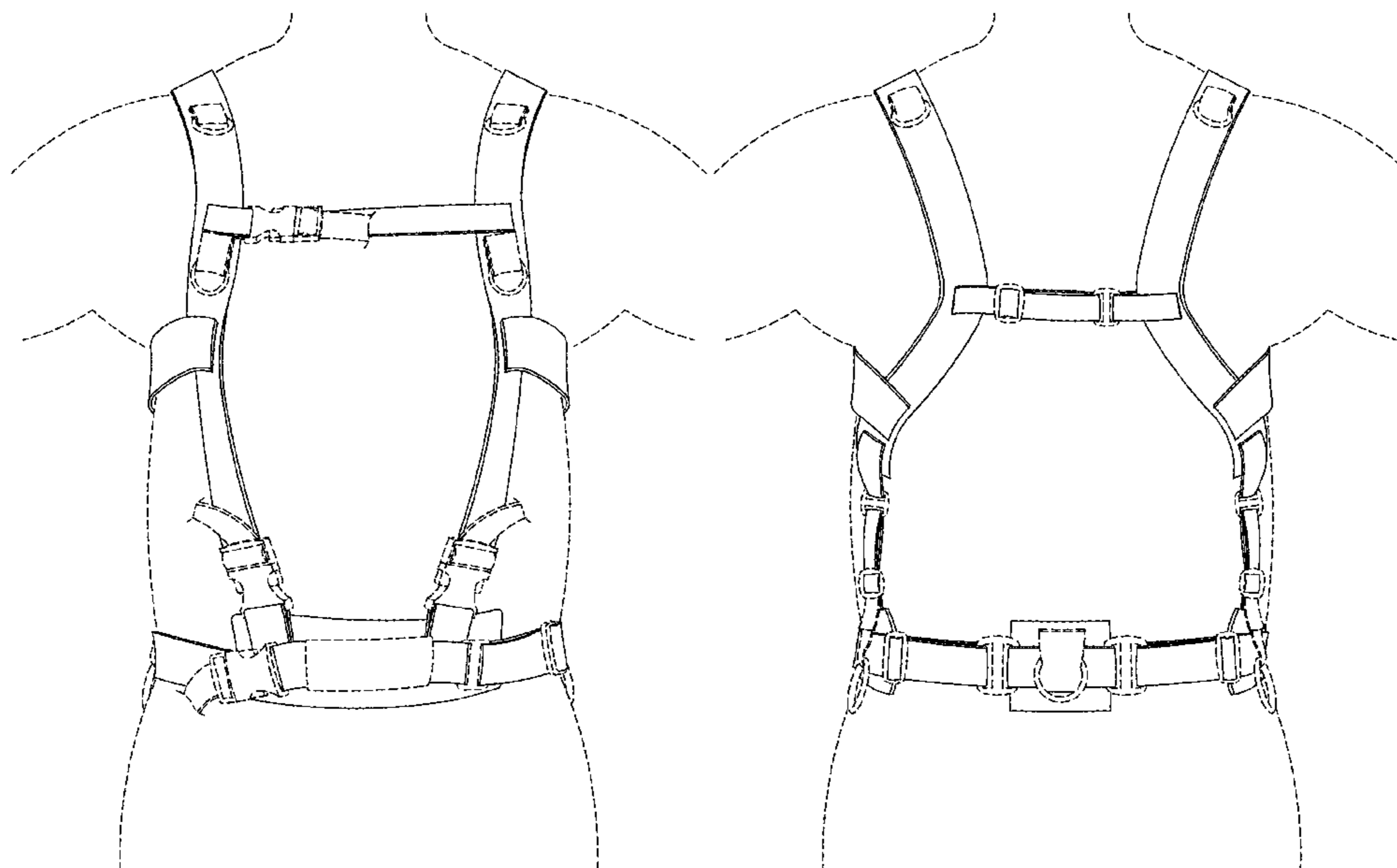
(57) **CLAIM**

The ornamental design for an exercise harness, as shown and described.

DESCRIPTION

FIG. 1 is a front elevational view of an exercise harness in accordance with our new design;
FIG. 2 is a rear elevational view thereof;
FIG. 3 is a right side elevational view thereof;
FIG. 4 is a left side elevational view thereof;
FIG. 5 is a top plan view thereof; and,
FIG. 6 is a bottom plan view thereof.
The broken lines in the figures are for the purpose of showing environmental structure, are for illustrative purposes only, and form no part of the claimed design.

1 Claim, 6 Drawing Sheets



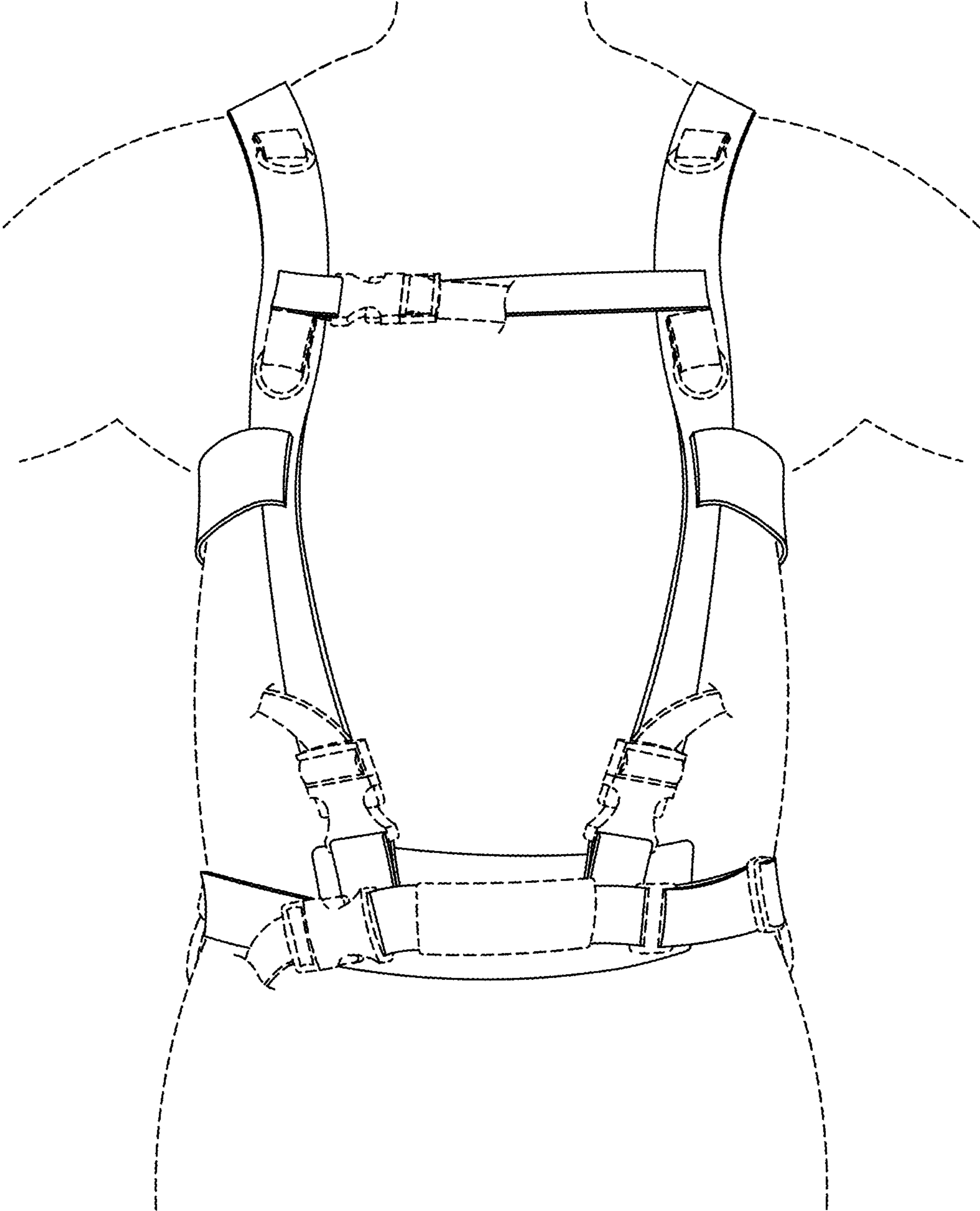


Fig. 1

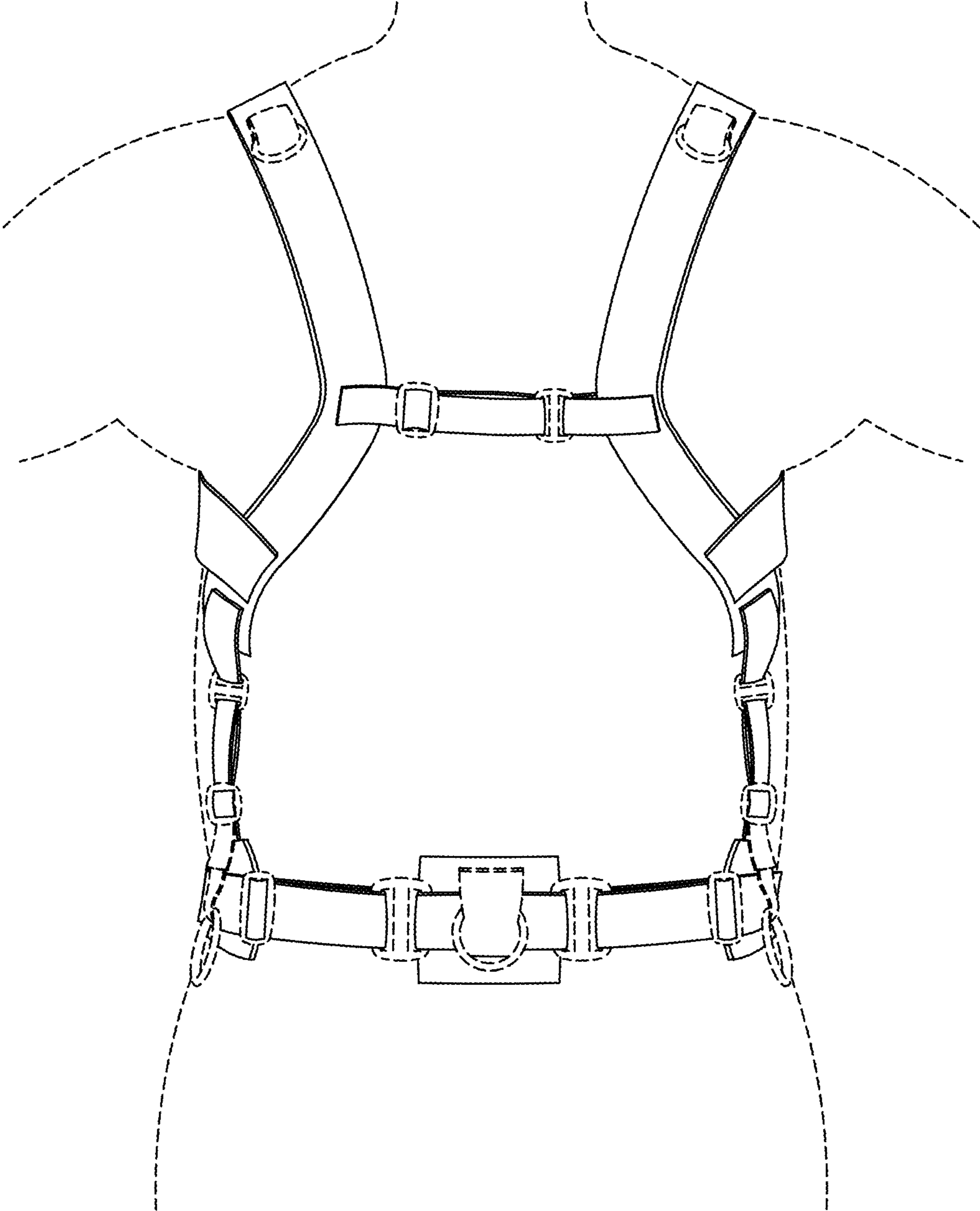


Fig. 2

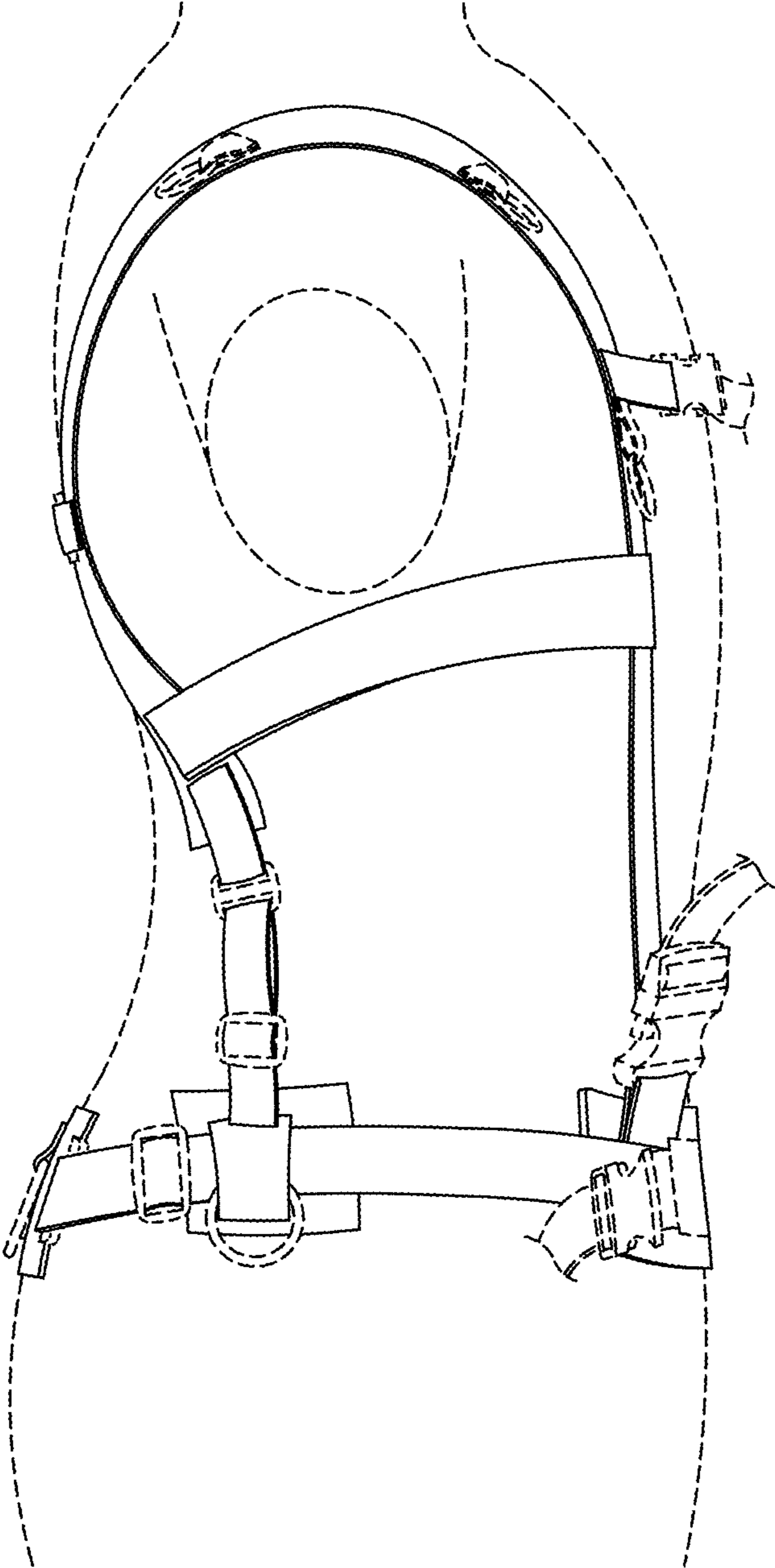


Fig. 3

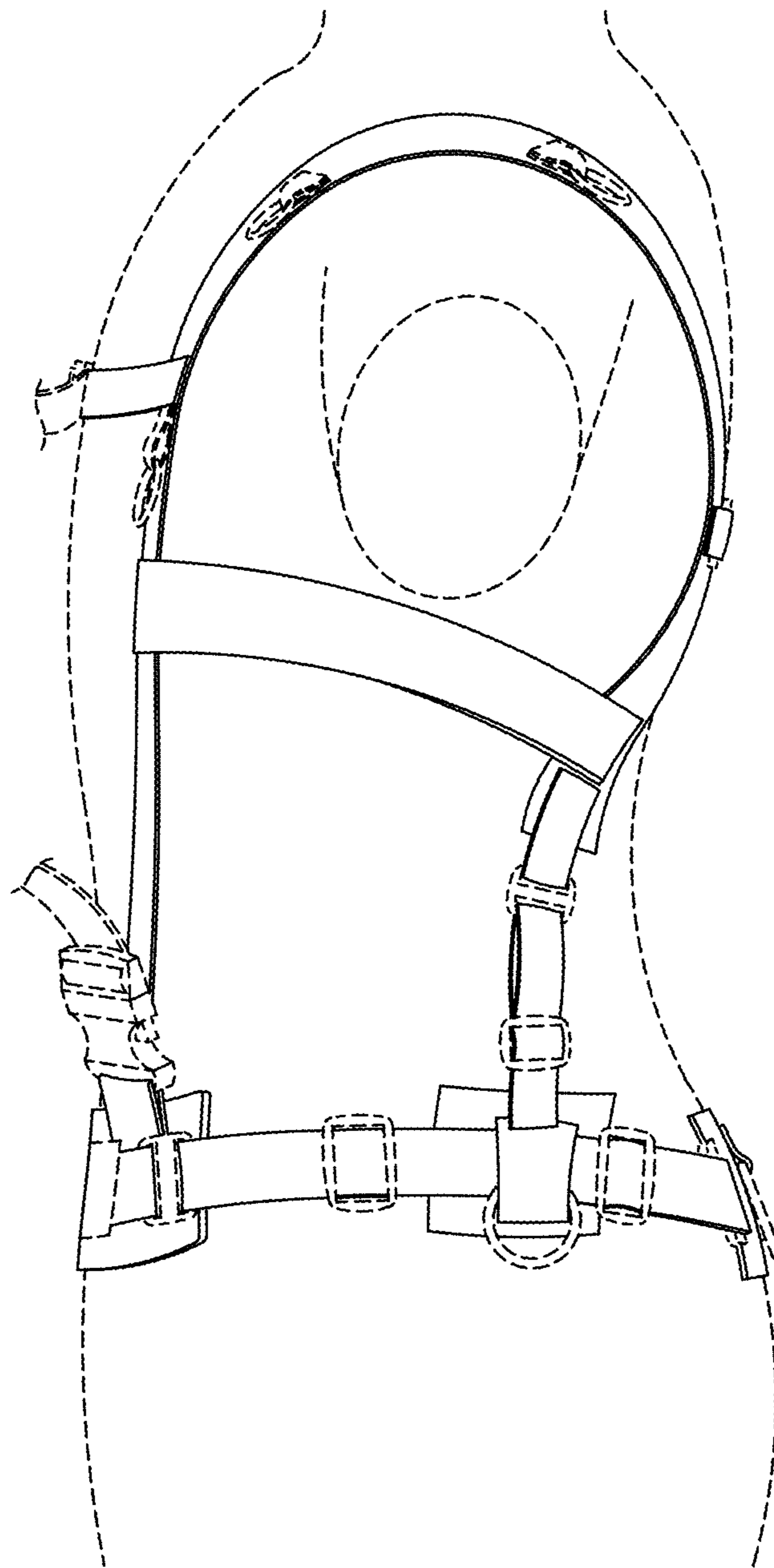


Fig. 4

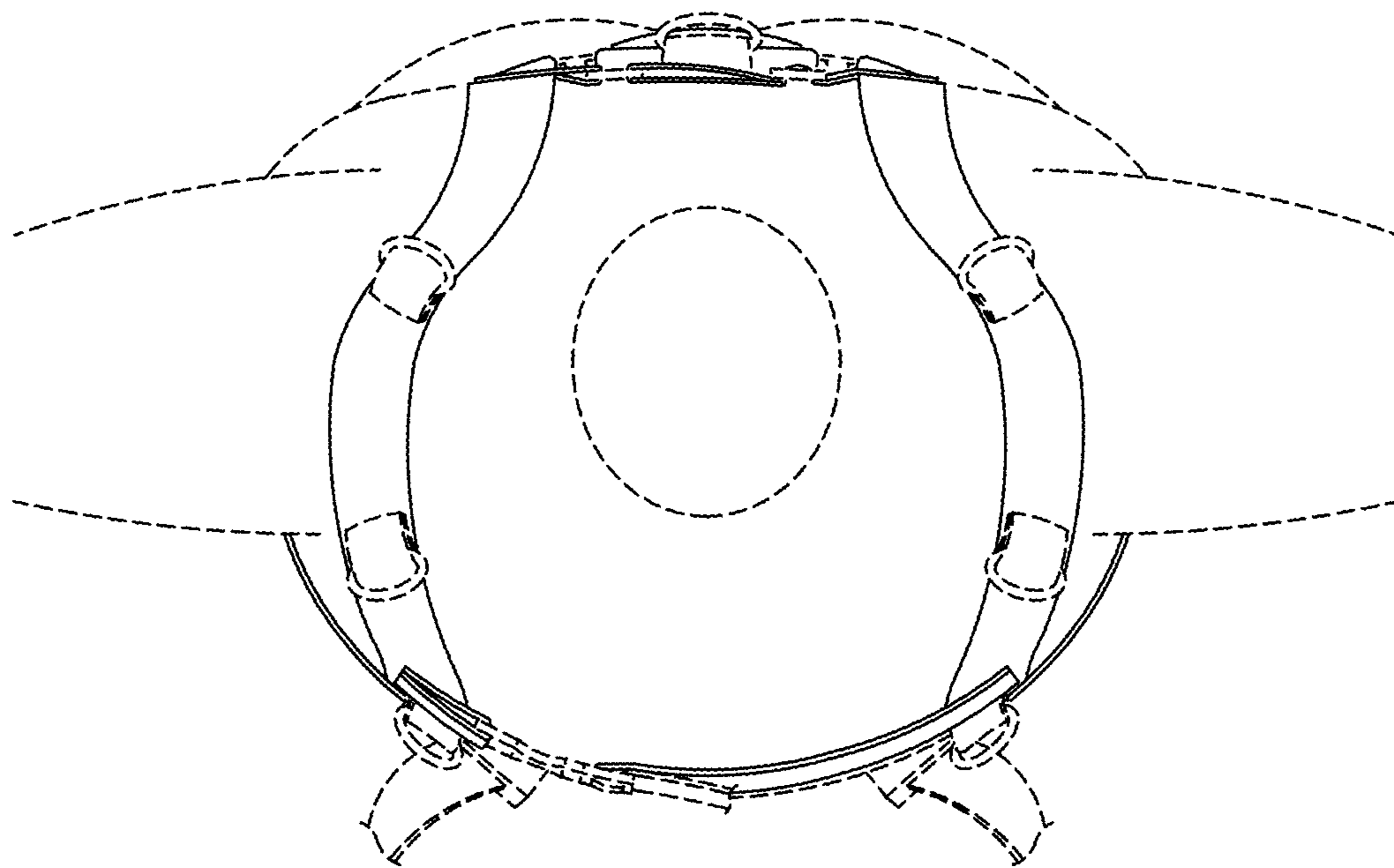


Fig. 5

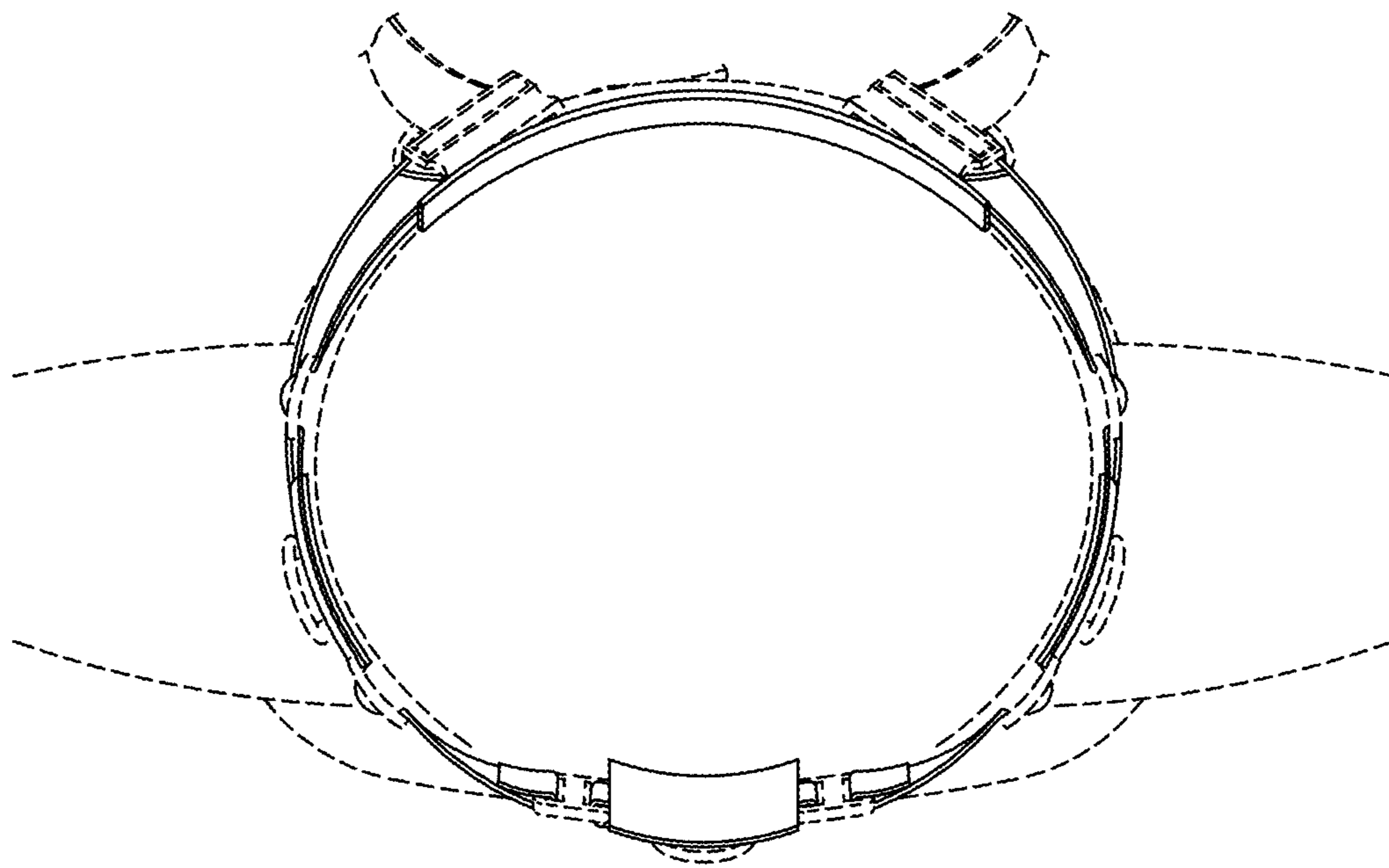


Fig. 6