



US00D951371S

(12) **United States Design Patent**
Yang

(10) **Patent No.:** **US D951,371 S**
(45) **Date of Patent:** **** May 10, 2022**

(54) **TOY**

(71) Applicant: **Jiehan Yang**, Shantou (CN)

(72) Inventor: **Jiehan Yang**, Shantou (CN)

(**) Term: **15 Years**

(21) Appl. No.: **29/786,673**

(22) Filed: **Jun. 1, 2021**

(30) **Foreign Application Priority Data**

Dec. 29, 2020 (CN) 202030815383.4

(51) **LOC (13) Cl.** **21-02**

(52) **U.S. Cl.**
USPC **D21/615**

(58) **Field of Classification Search**
USPC D21/587, 591–593, 596, 615, 621–625,
D21/630, 631, 639, 658–661
See application file for complete search history.

(56) **References Cited**

U.S. PATENT DOCUMENTS

D479,862 S	*	9/2003	Takahashi	D21/615
D481,081 S	*	10/2003	Okutsu	D21/615
D633,960 S		3/2011	Choy		
D747,777 S	*	1/2016	Greenly	D21/615
D762,271 S	*	7/2016	Chow	D21/615
D785,099 S	*	4/2017	Morales	D21/615
D793,490 S		8/2017	Ha et al.		
D854,631 S	*	7/2019	Liu	D21/615
D855,710 S	*	8/2019	Buonocore	D21/615
D867,481 S	*	11/2019	Ikoma	D21/615
D870,214 S	*	12/2019	Ikoma	D21/615
D870,215 S	*	12/2019	Ikoma	D21/615
D883,403 S	*	5/2020	Chen	D21/615
D886,917 S	*	6/2020	Ikoma	D21/615
D935,534 S	*	11/2021	Chen	D21/615
D935,535 S	*	11/2021	Du	D21/615

OTHER PUBLICATIONS

“BeiyoQSZ Take Apart Dinosaur Toy” Aug. 28, 2021, site visited Mar. 21, 2022, Amazon.com: <https://www.amazon.com/BeiyoQSZ-Dinosaur-Building-Electronic-Tyrannosaurus/dp/B099R7R689/> (Year: 2021).*

* cited by examiner

Primary Examiner — Michael C Stout
Assistant Examiner — Melvin L Davis

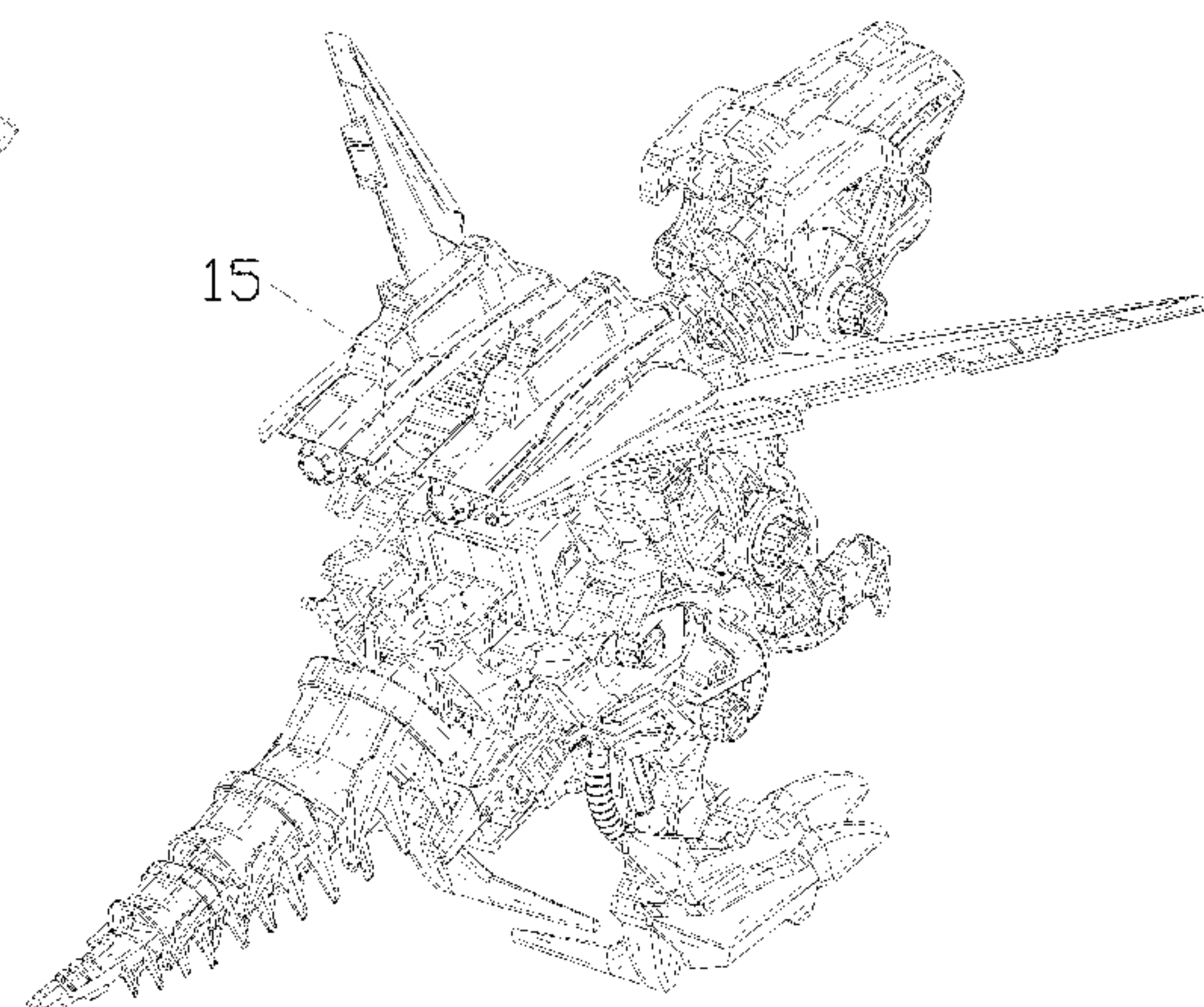
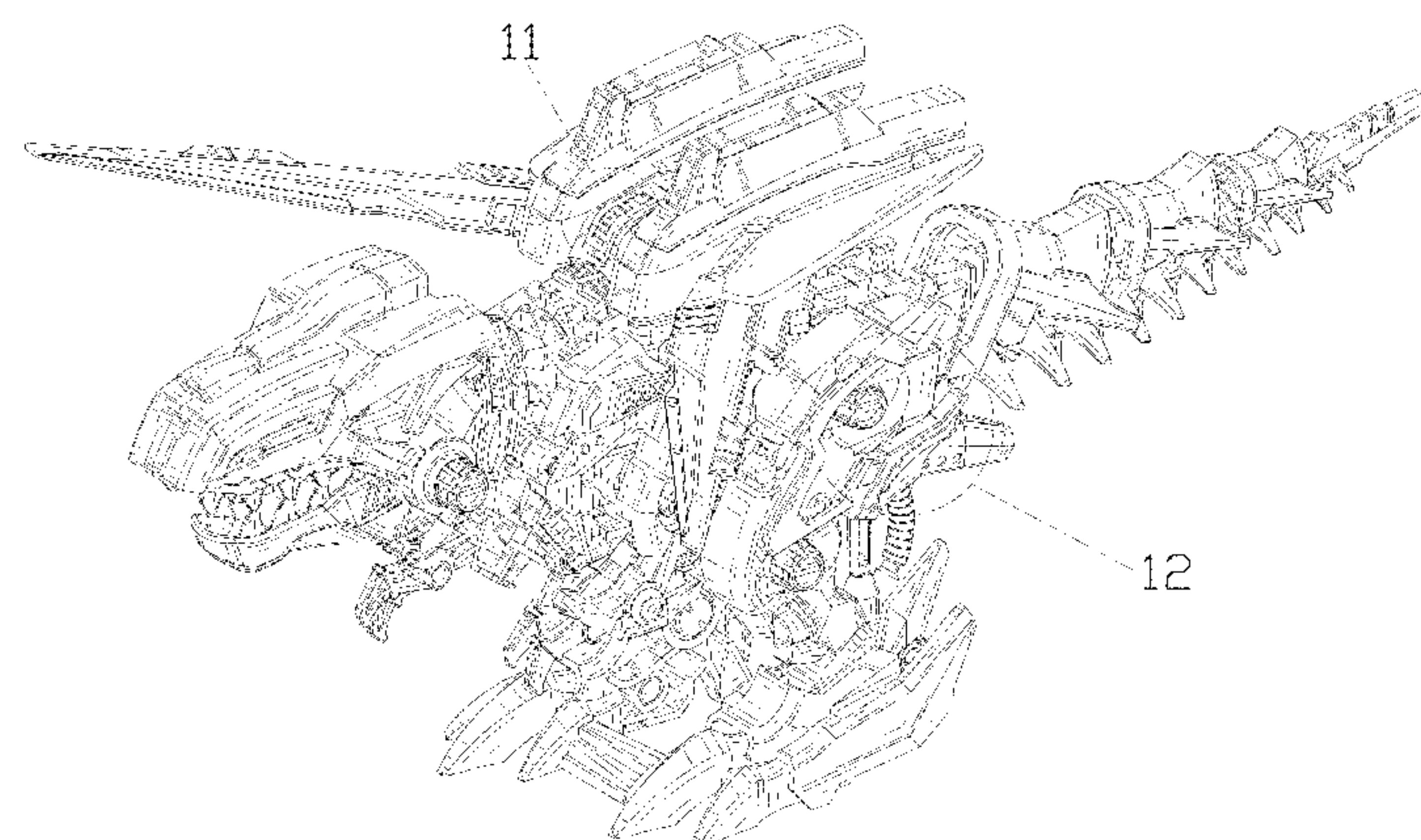
(57) **CLAIM**

The ornamental design for a toy, as shown and described.

DESCRIPTION

FIG. 1 is a perspective view of a toy showing my new design;
FIG. 2 is another perspective view thereof;
FIG. 3 is another perspective view thereof;
FIG. 4 is another perspective view thereof;
FIG. 5 is a front elevational view thereof;
FIG. 6 is a rear elevational view thereof;
FIG. 7 is a left side elevational view thereof;
FIG. 8 is a right side elevational view thereof;
FIG. 9 is a top plan view thereof;
FIG. 10 is a bottom plan view thereof;
FIG. 11 is an enlarged view of portion 11 shown in FIG. 1;
FIG. 12 is an enlarged view of portion 12 shown in FIG. 1;
FIG. 13 is an enlarged view of portion 13 shown in FIG. 2;
FIG. 14 is an enlarged view of portion 14 shown in FIG. 2;
FIG. 15 is an enlarged view of portion 15 shown in FIG. 3;
and,
FIG. 16 is an enlarged view of portion 16 shown in FIG. 6.
The broken lines in the drawings depict portions of the toy that form no part of the claimed design.

1 Claim, 16 Drawing Sheets



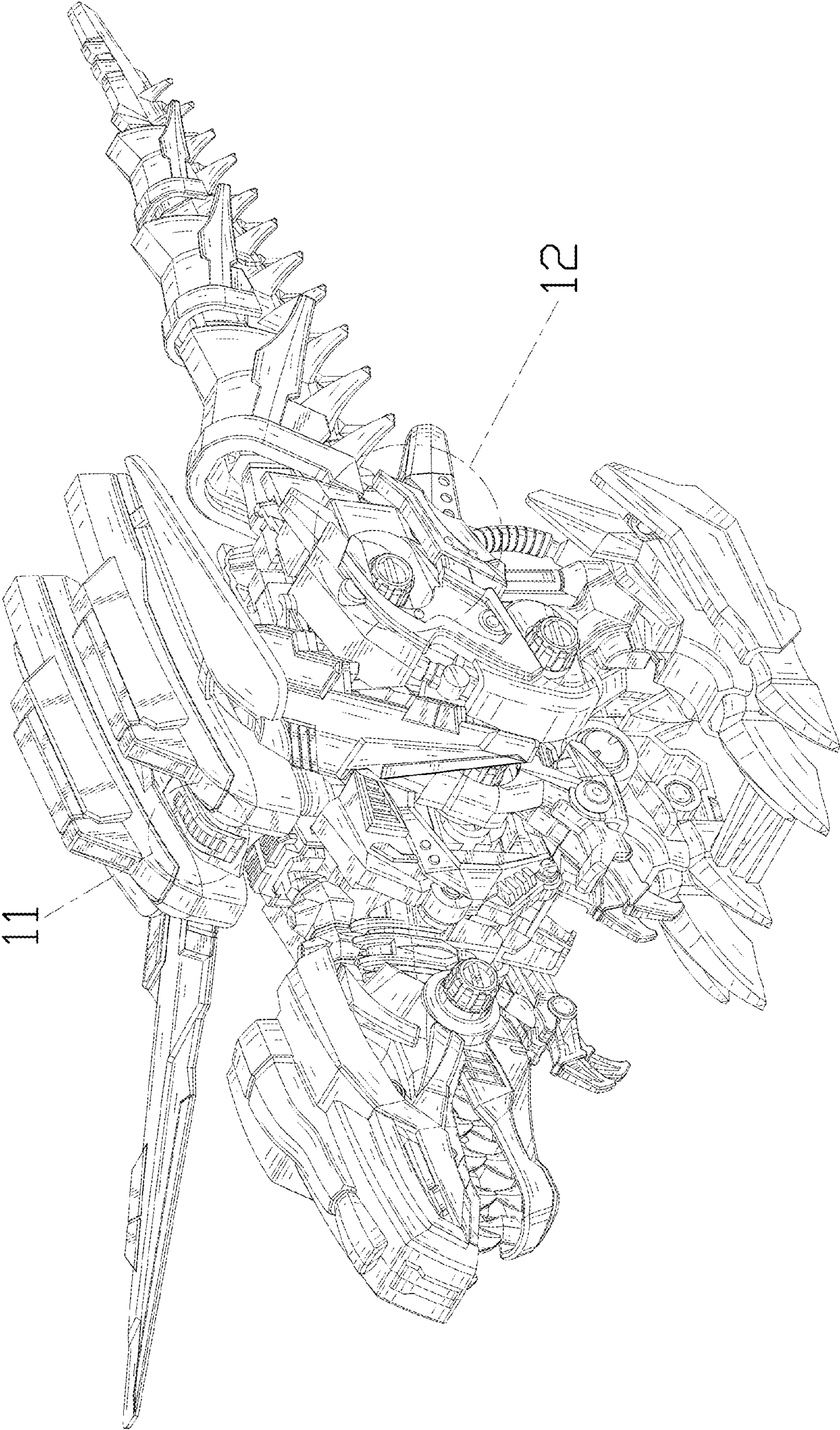


FIG. 1

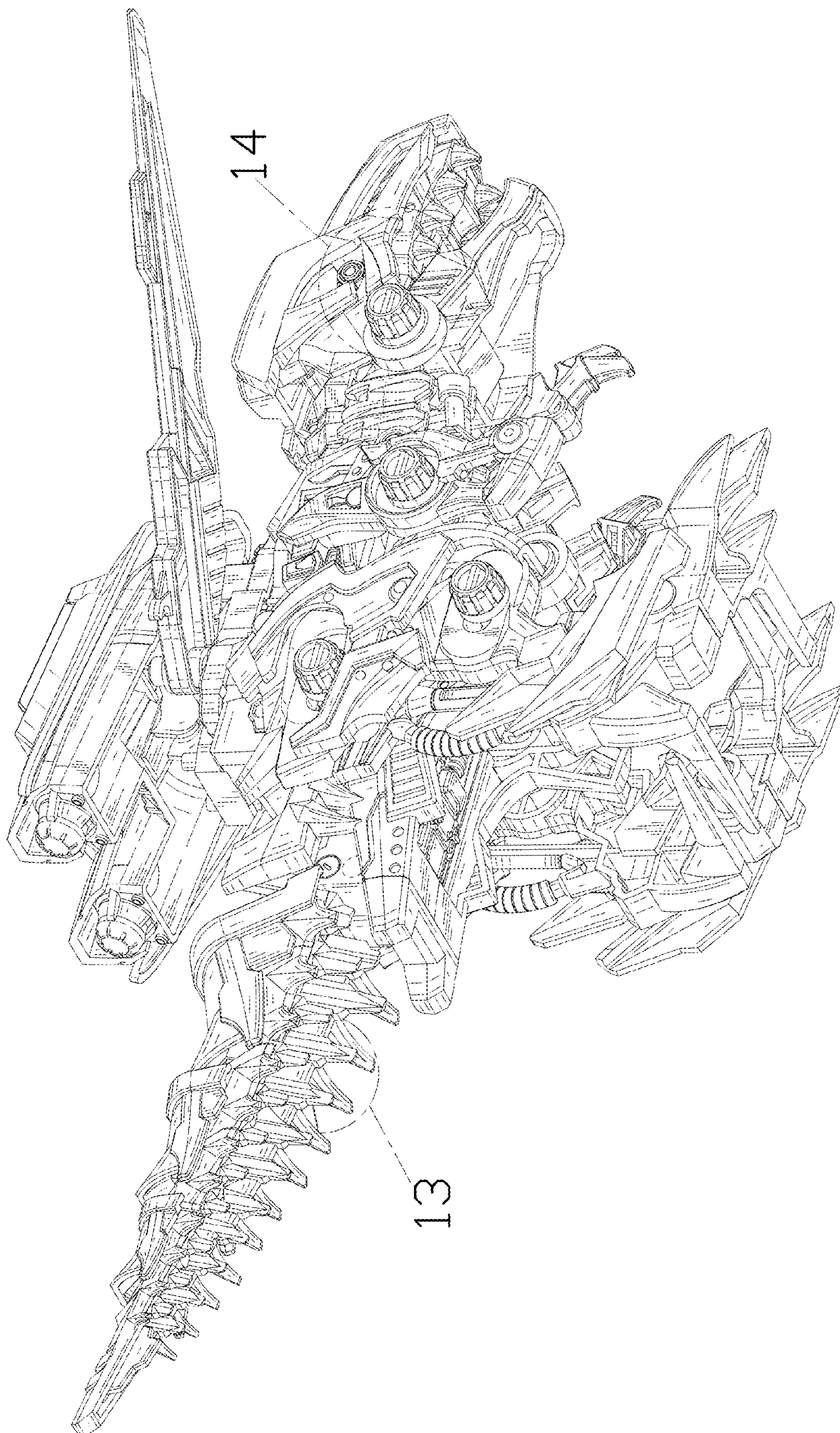


FIG. 2

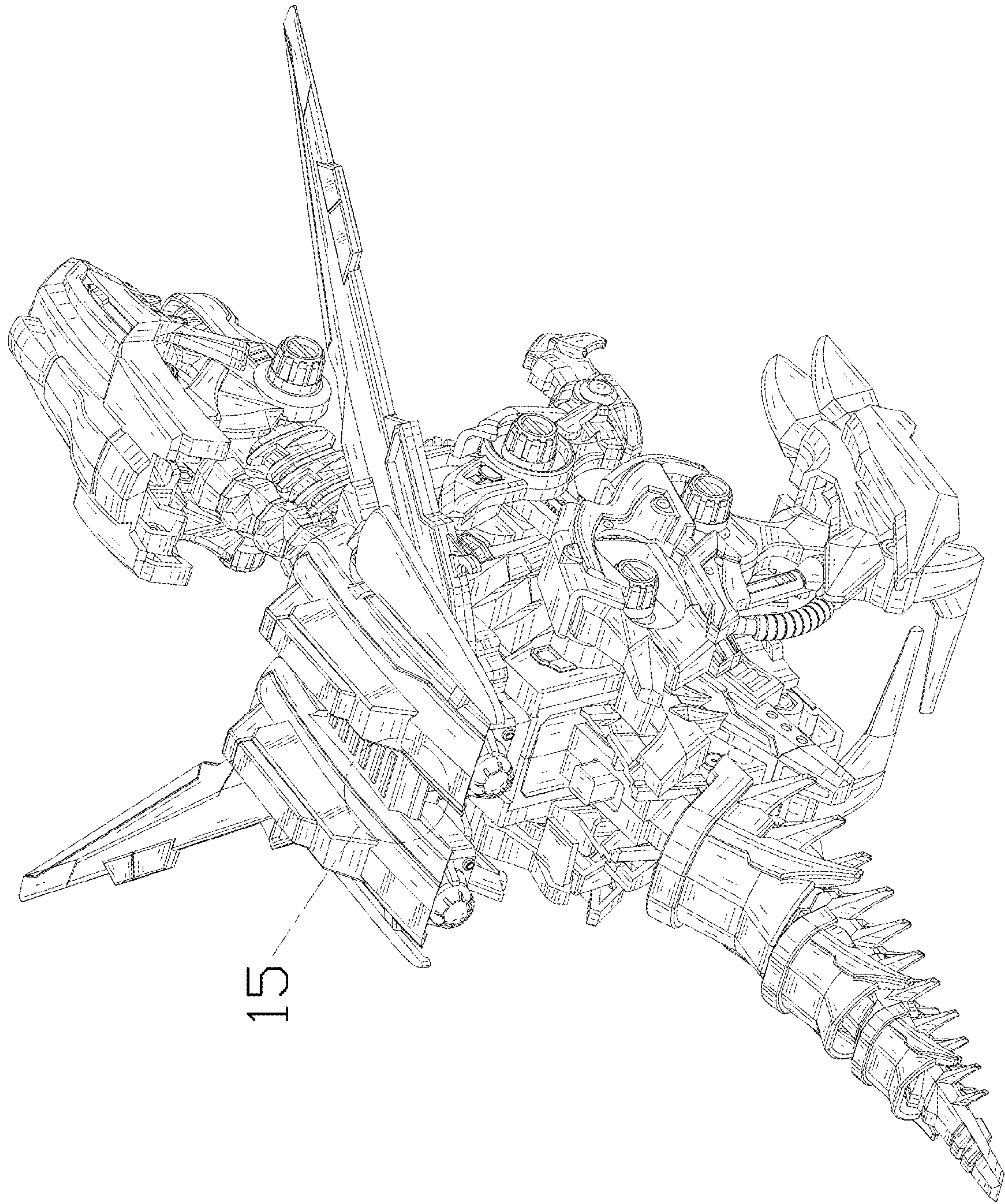


FIG. 3

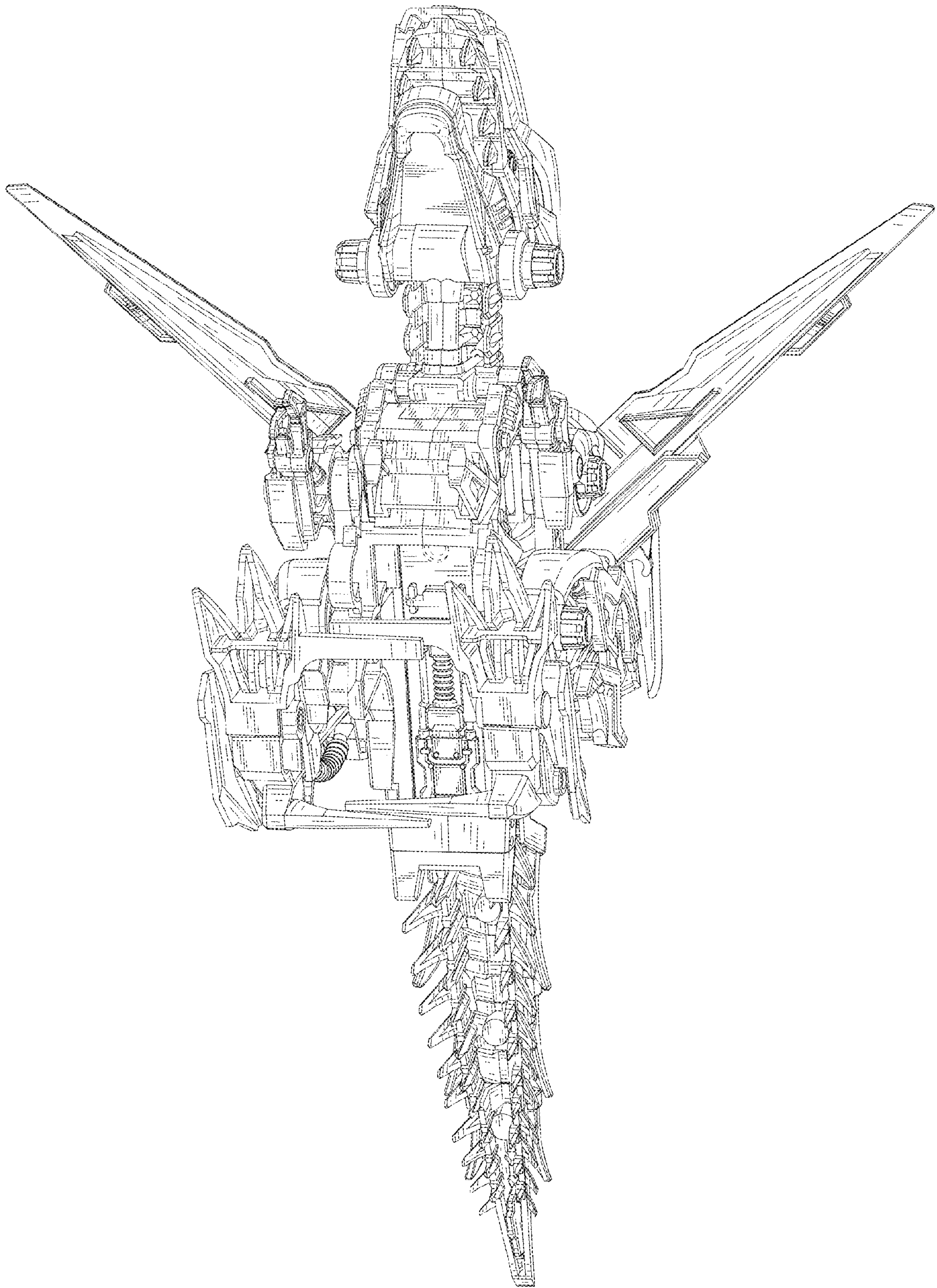


FIG. 4

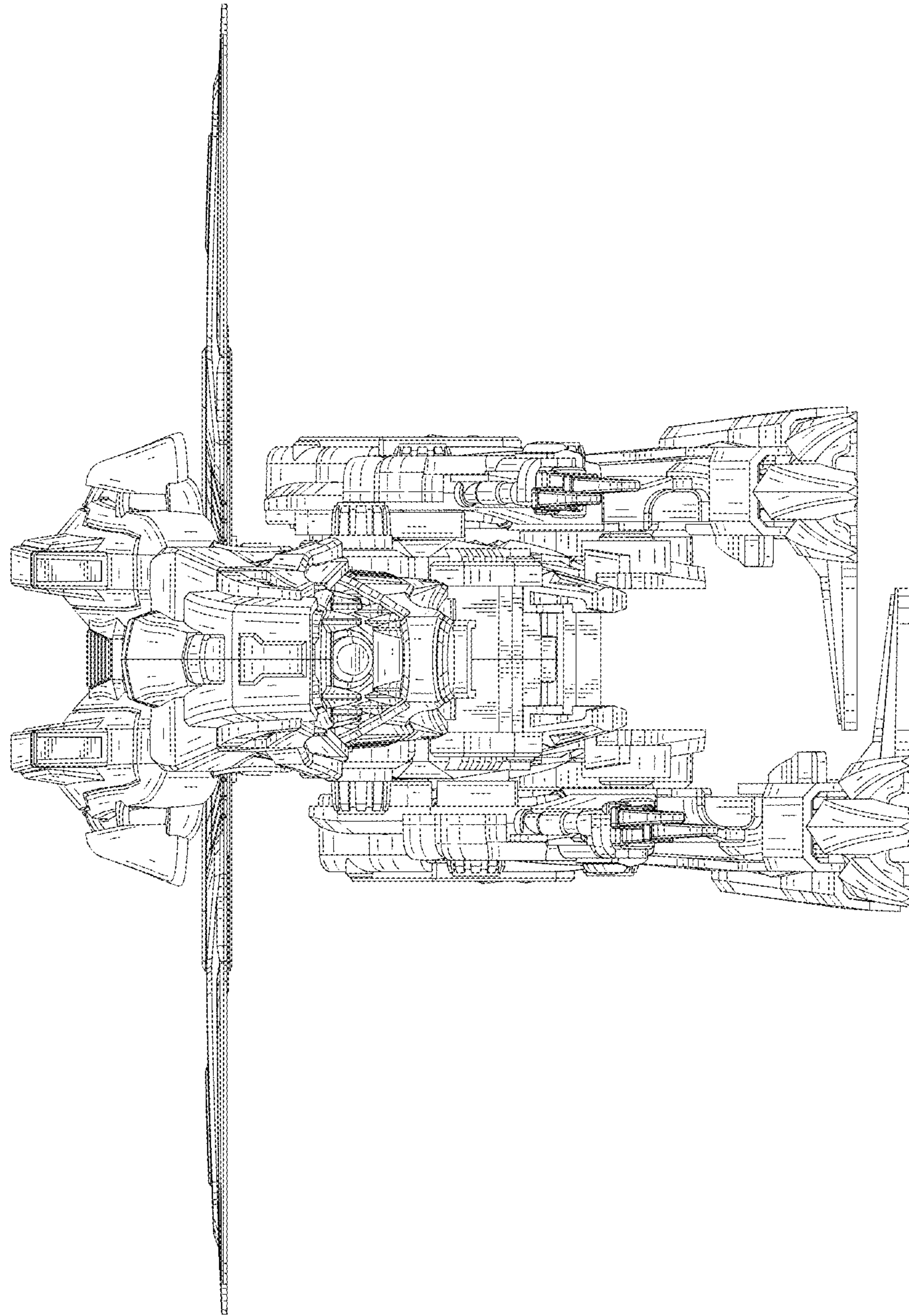


FIG. 5

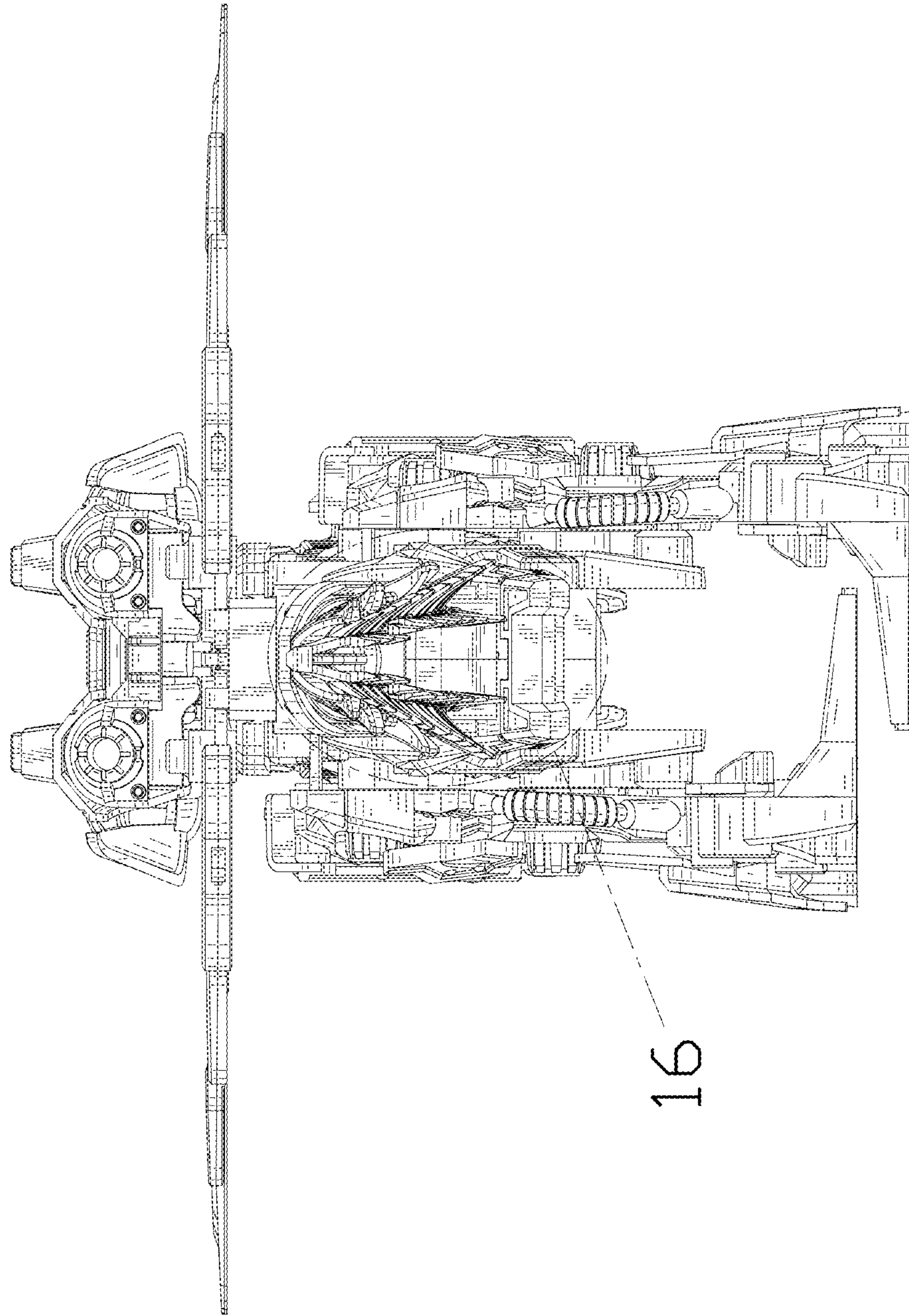


FIG. 6

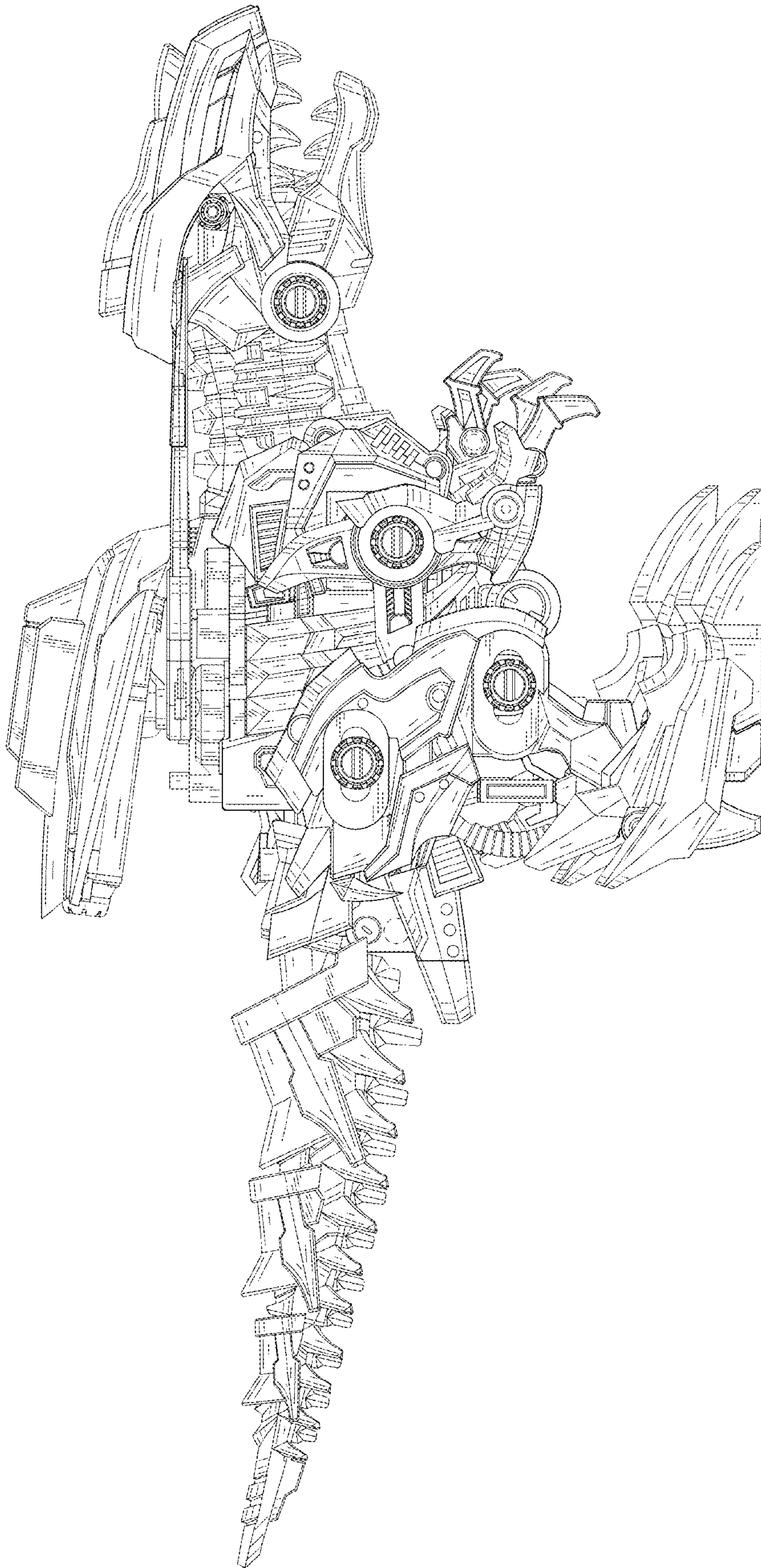


FIG. 7

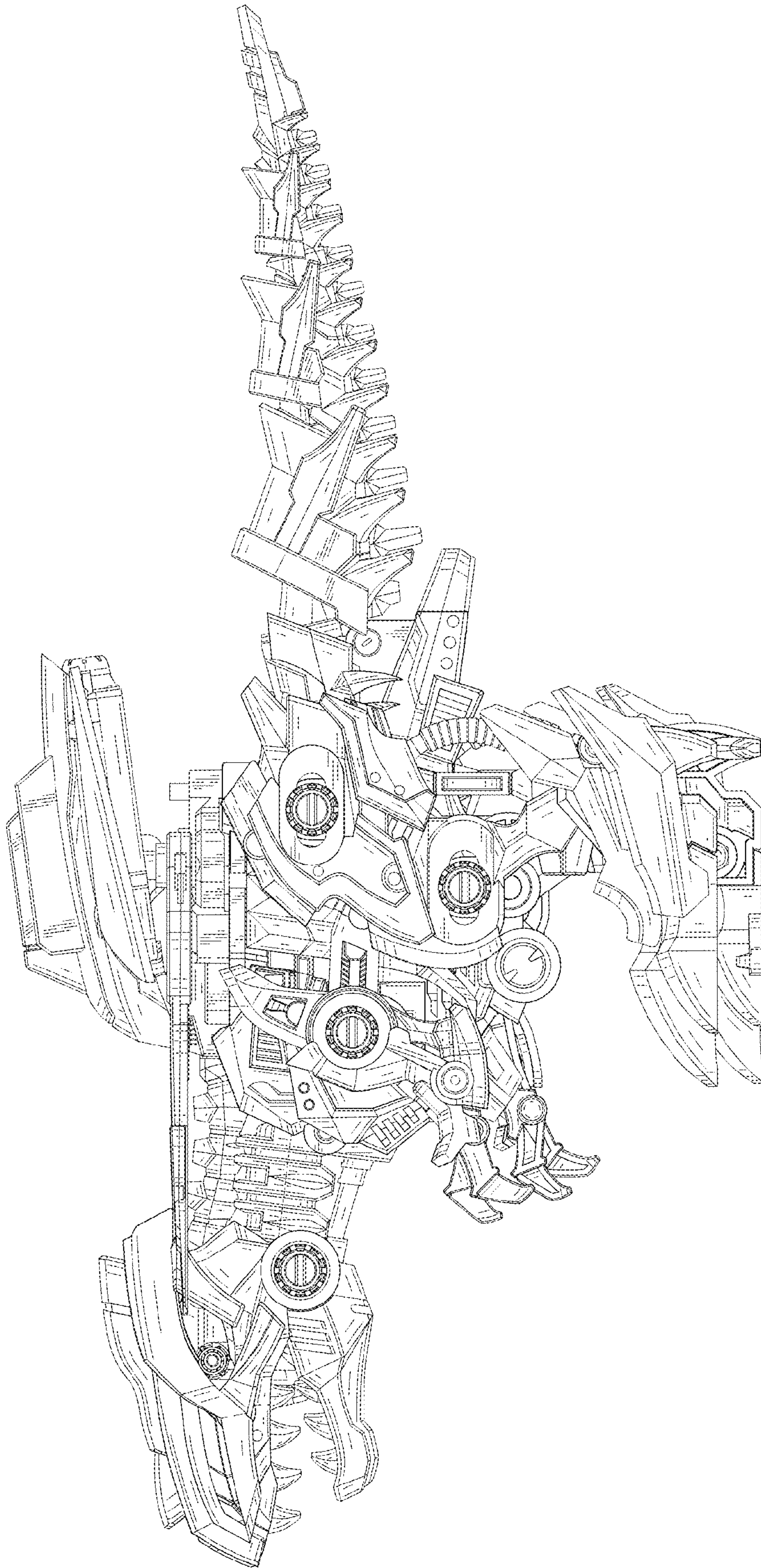


FIG. 8

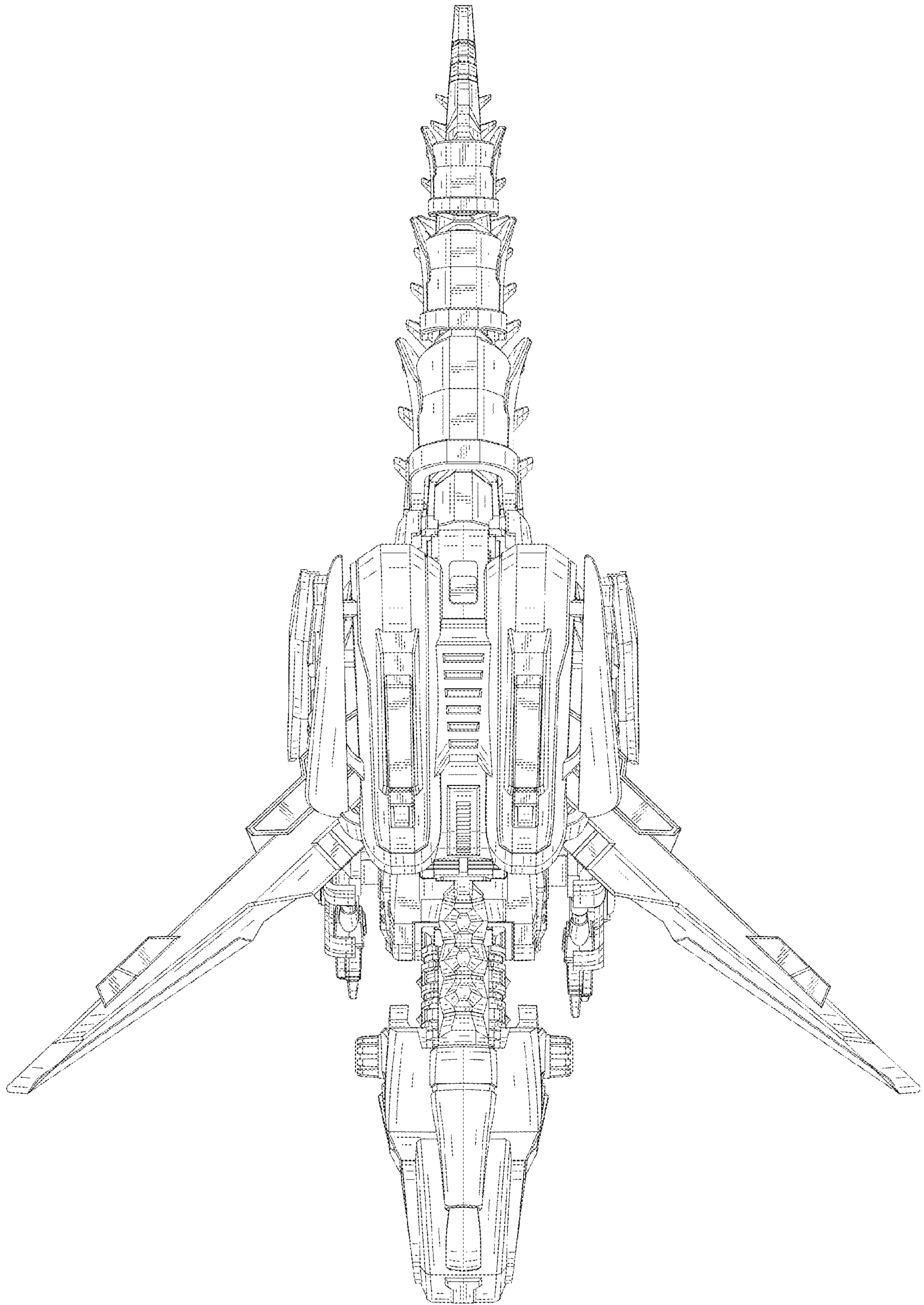


FIG. 9

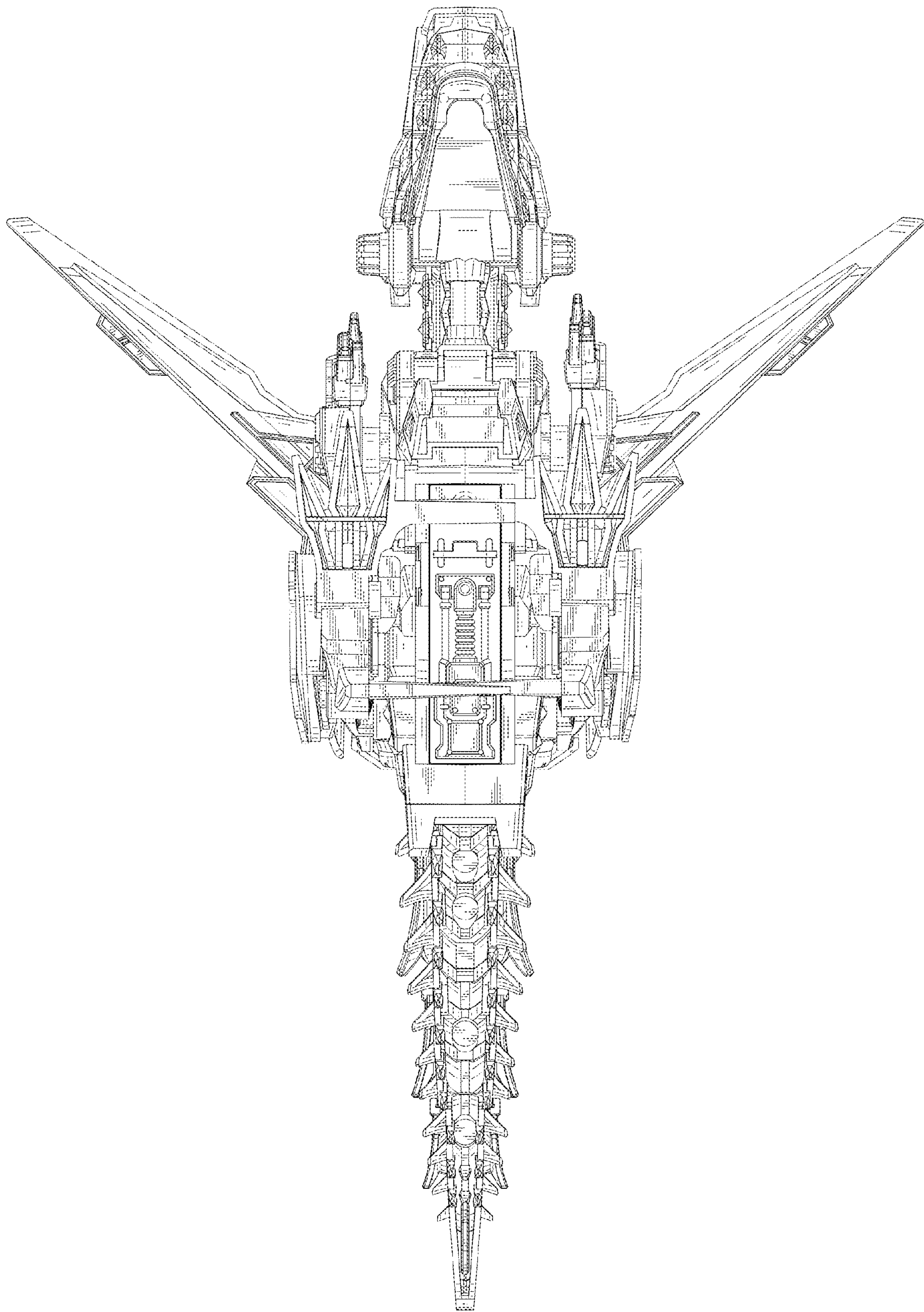


FIG. 10

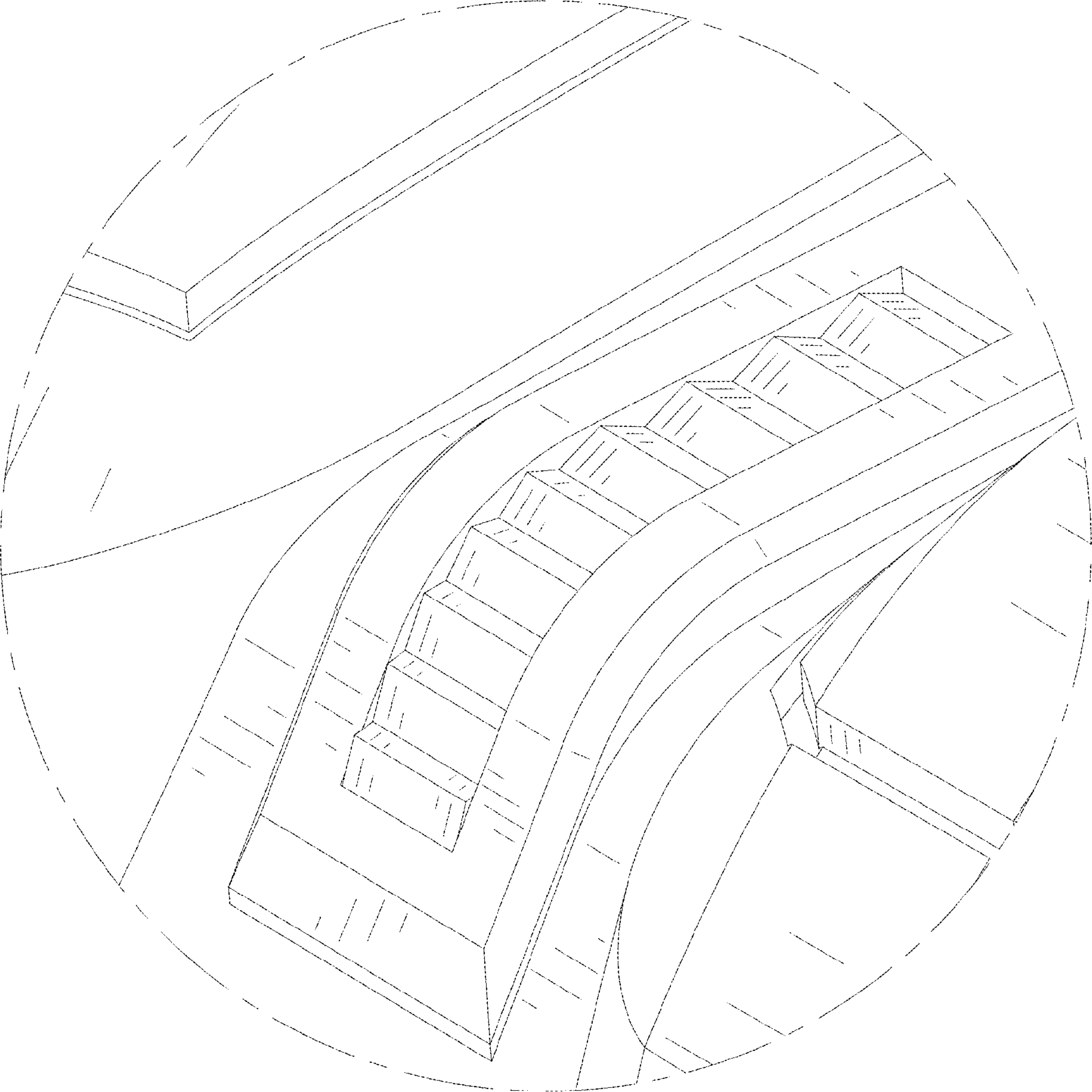


FIG. 11

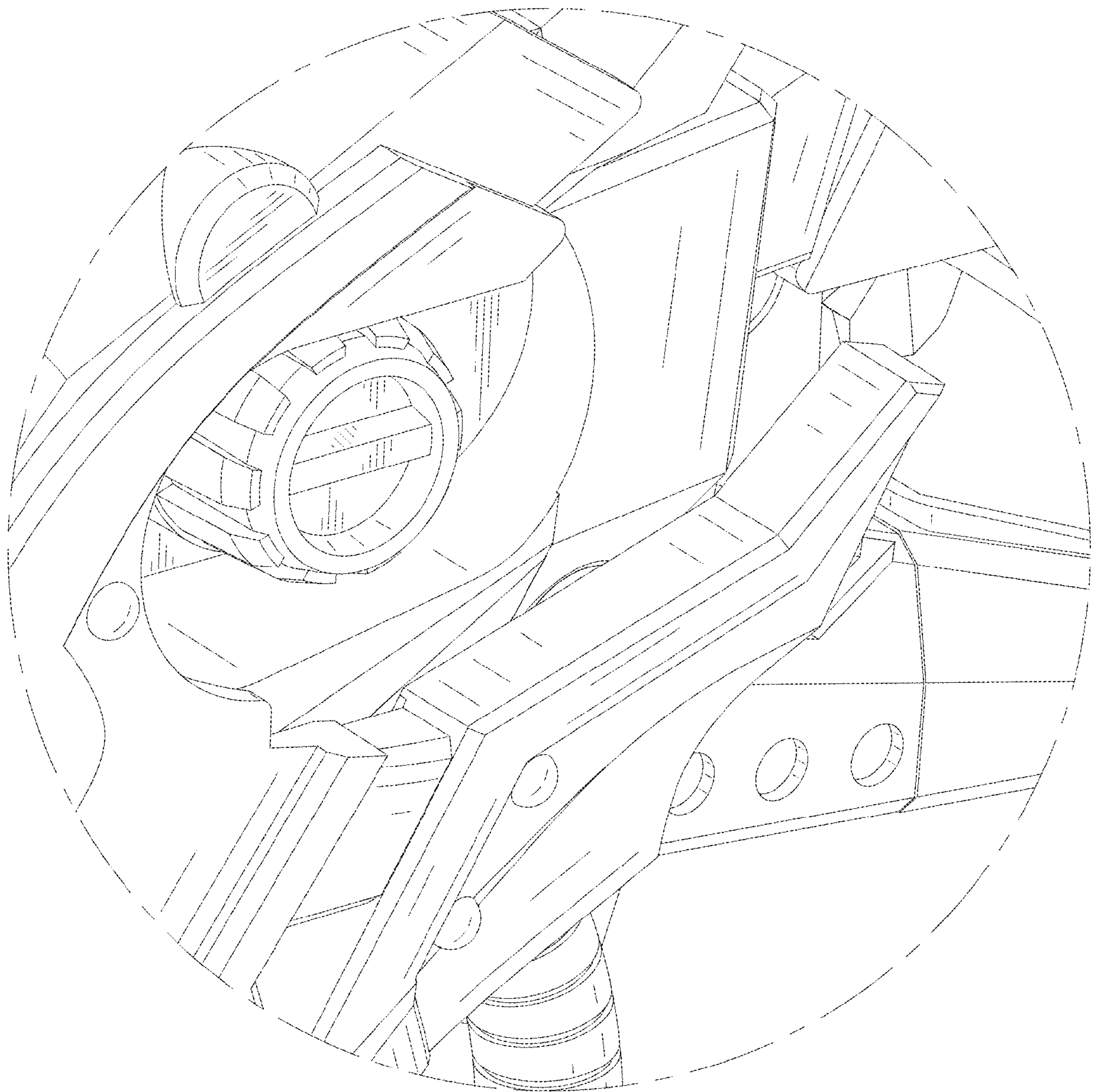


FIG. 12

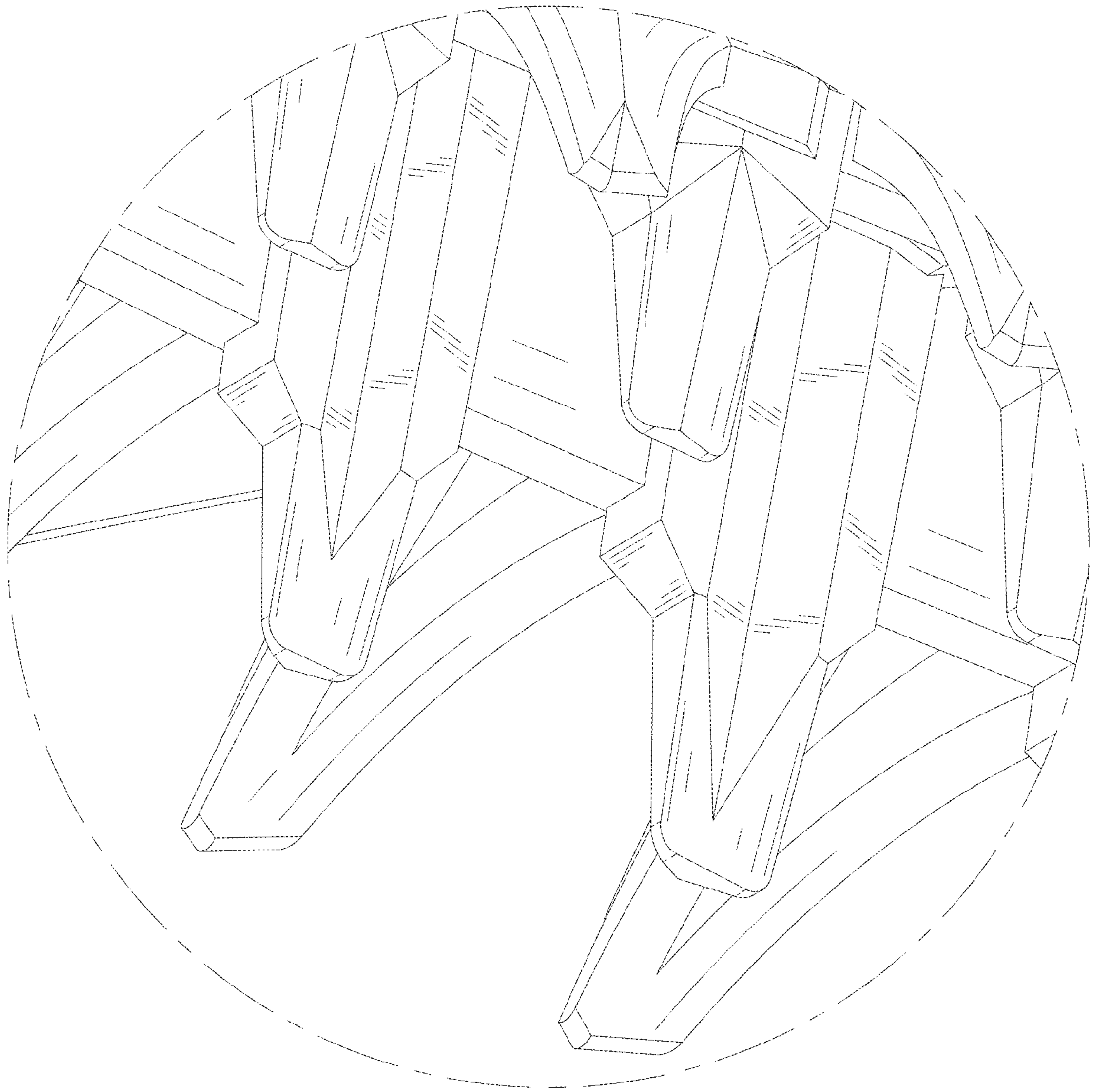


FIG. 13

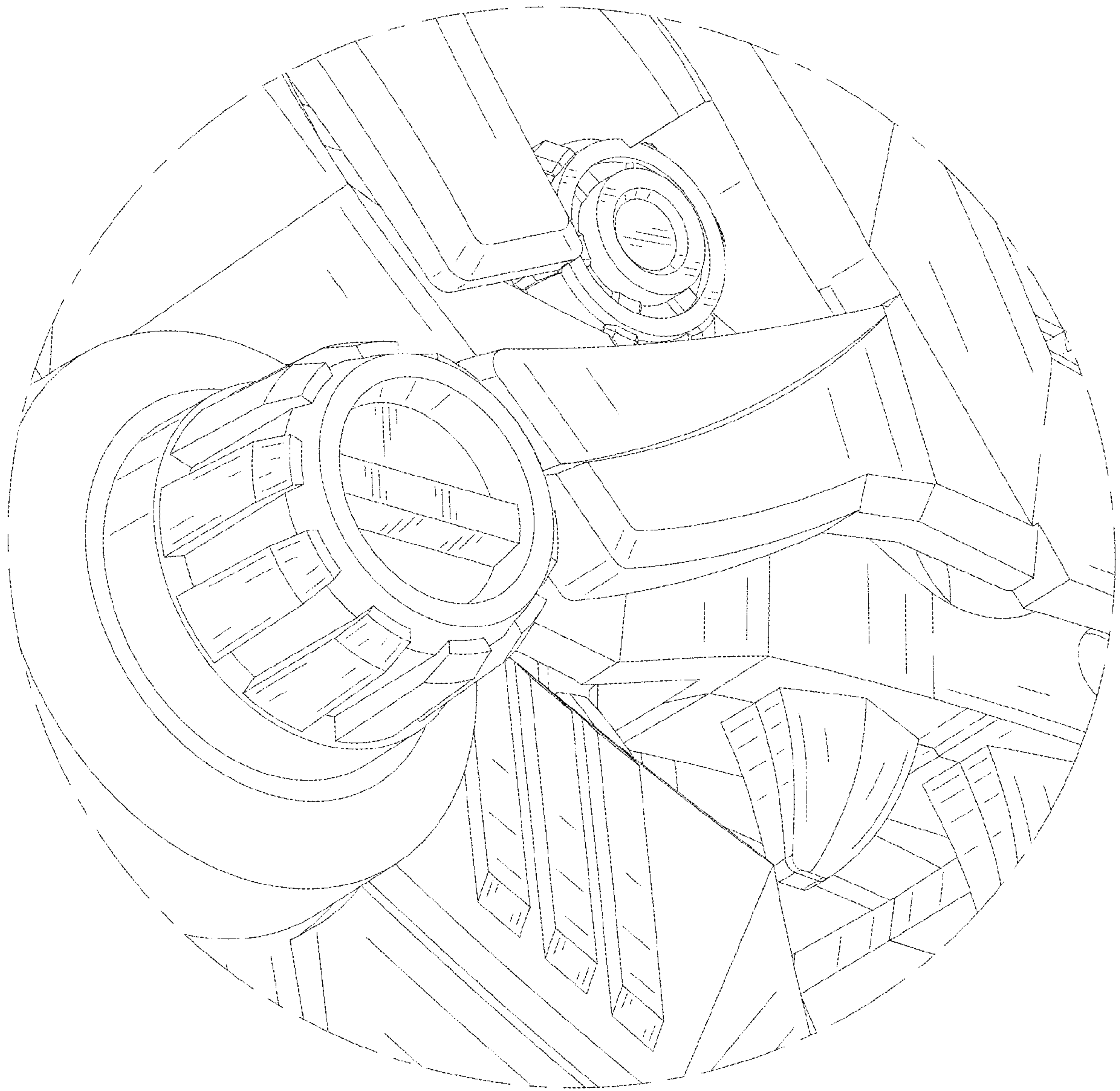


FIG. 14

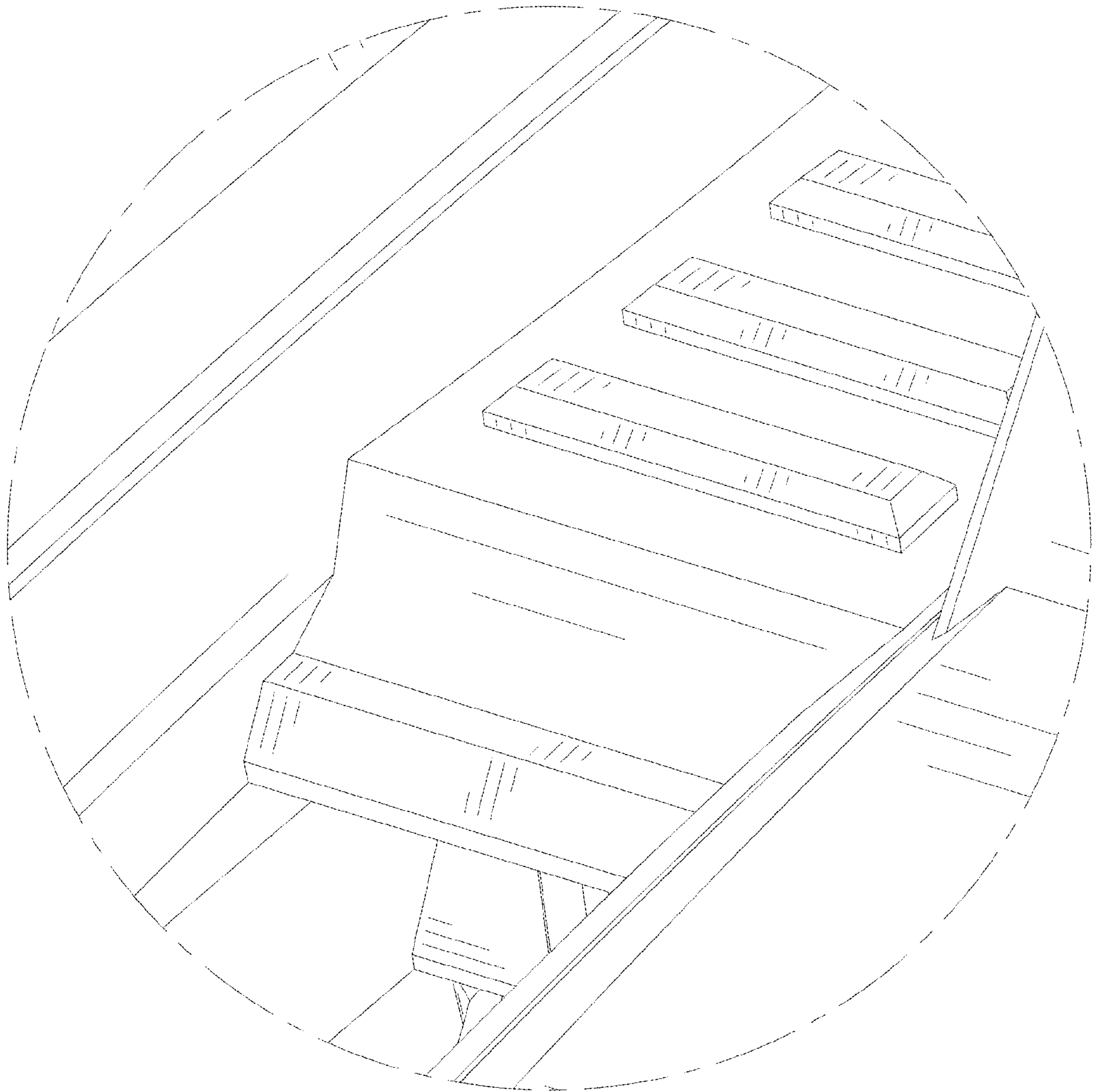


FIG. 15

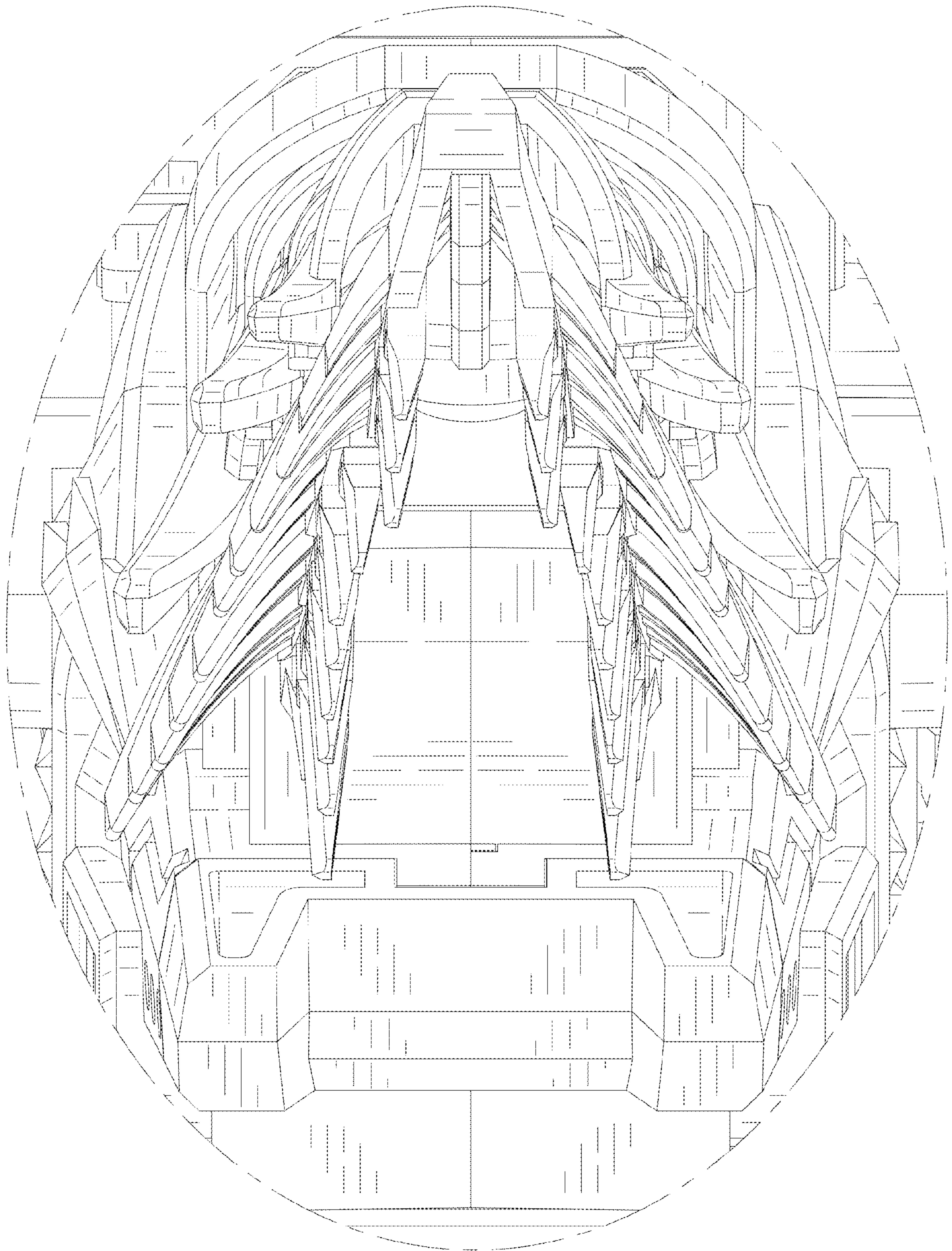


FIG. 16