



US00D951370S

(12) **United States Design Patent**
Zhang

(10) **Patent No.:** **US D951,370 S**

(45) **Date of Patent:** **** May 10, 2022**

(54) **ROBOT**

(71) Applicant: **Living Technology (ShenZhen) Co., Ltd.**, Shenzhen (CN)

(72) Inventor: **Yuxuan Zhang**, Shenzhen (CN)

(73) Assignee: **Living Technology (ShenZhen) Co., Ltd.**, Shenzhen (CN)

(**) Term: **15 Years**

(21) Appl. No.: **29/796,950**

(22) Filed: **Jun. 28, 2021**

(30) **Foreign Application Priority Data**

Jan. 28, 2021 (CN) 202130062245.8

(51) **LOC (13) Cl.** **21-01**

(52) **U.S. Cl.**
USPC **D21/578**; D15/199

(58) **Field of Classification Search**

USPC D15/199; D21/578–583, 621, 622
CPC .. G06N 99/005; G09B 19/00; G09B 19/0053;
G09B 5/06; G09B 5/062; G09B 5/065;
G09B 5/125; B25J 9/1615; G05B
2219/40304

See application file for complete search history.

(56) **References Cited**

U.S. PATENT DOCUMENTS

D450,788 S * 11/2001 Kawasaki D21/578
D639,353 S * 6/2011 Stibolt D21/578
D685,438 S * 7/2013 Fan D15/199
D710,953 S * 8/2014 Katsutani D15/199
D809,040 S * 1/2018 Webb, II D15/199
D823,917 S * 7/2018 Bernazeau D21/578

D825,010 S * 8/2018 Osentoski D15/199
D842,353 S * 3/2019 Lee D15/199
D843,498 S * 3/2019 Clerc D15/199
D852,286 S * 6/2019 Chen D21/578
D909,495 S * 2/2021 Lee D21/578
D909,992 S * 2/2021 Yeh D7/700
D912,645 S * 3/2021 Xi D14/216
D918,979 S * 5/2021 Mullan D21/578
D933,728 S * 10/2021 Zhang D21/578
D944,879 S * 3/2022 Takagi D15/199

* cited by examiner

Primary Examiner — Michael C Stout

Assistant Examiner — Fritzgerald L Butac

(74) *Attorney, Agent, or Firm* — ScienBiziP, P.C.

(57) **CLAIM**

The ornamental design for a robot, as shown and described.

DESCRIPTION

FIG. 1 is a front, right, and top perspective view of a robot, showing my design.

FIG. 2 is a rear, left, and bottom perspective view thereof.

FIG. 3 is a front elevation view thereof.

FIG. 4 is a rear elevation view thereof.

FIG. 5 is a left side elevation view thereof.

FIG. 6 is a right side elevation view thereof.

FIG. 7 is a top plan view thereof.

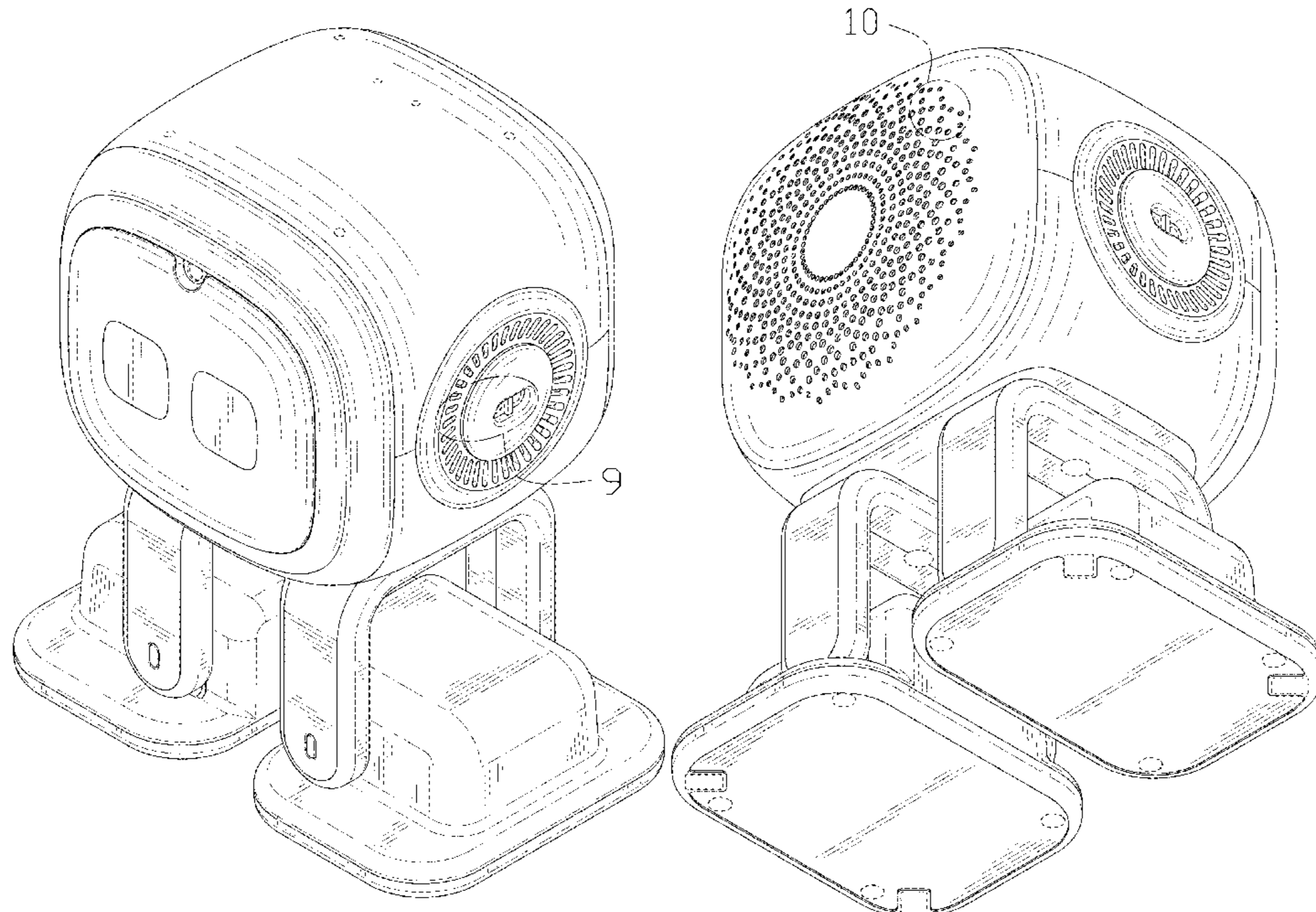
FIG. 8 is a bottom plan view thereof.

FIG. 9 is a partial enlarged view of an area labeled 9 in FIG. 1 comprising a right part; and,

FIG. 10 is a partial enlarged view of an area labeled 10 in FIG. 2 comprising a bottom part.

The broken lines shown in the drawings are included for the purpose of illustrating portions of the robot that form no part of the claimed design.

1 Claim, 10 Drawing Sheets



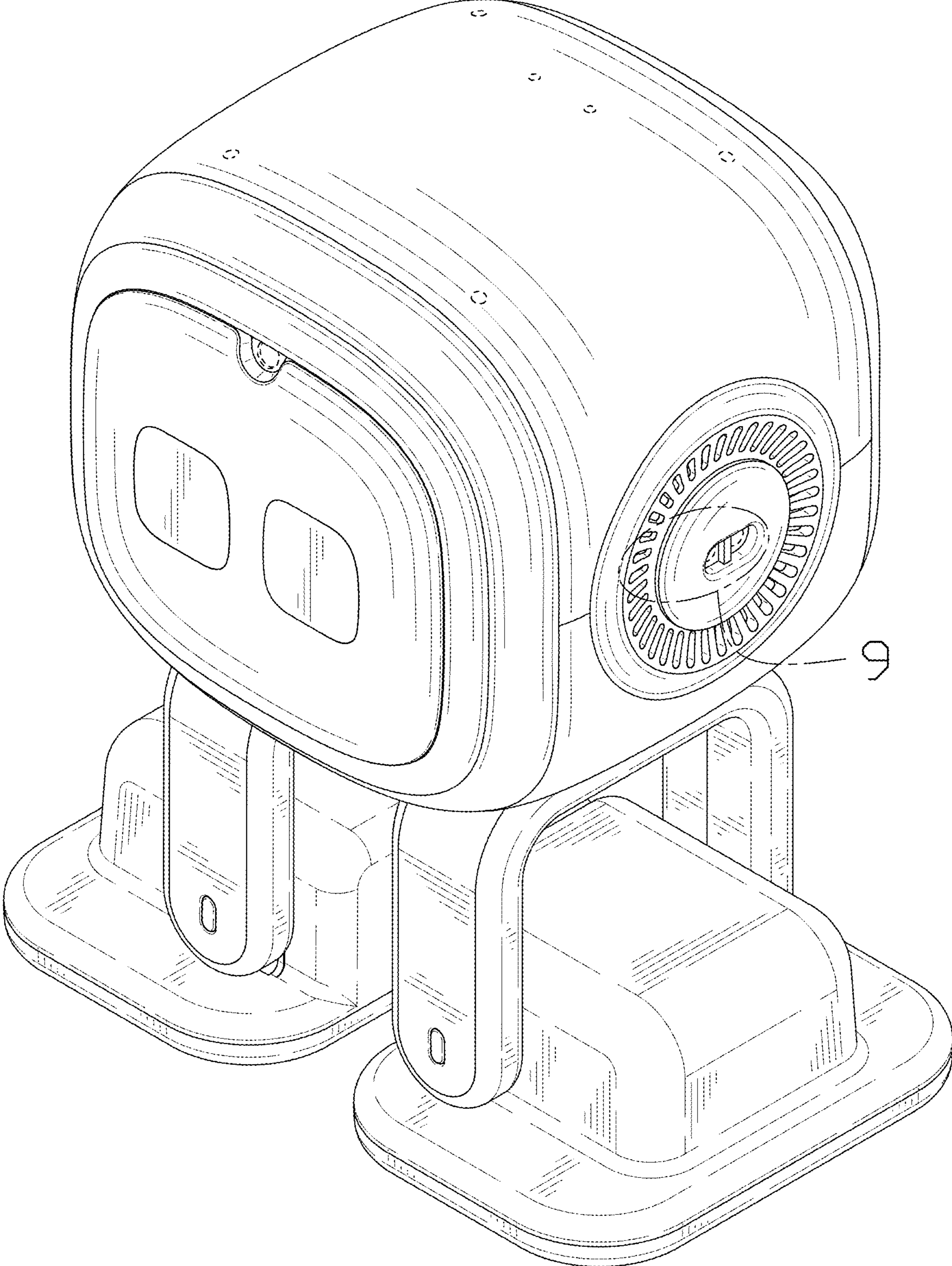


FIG. 1

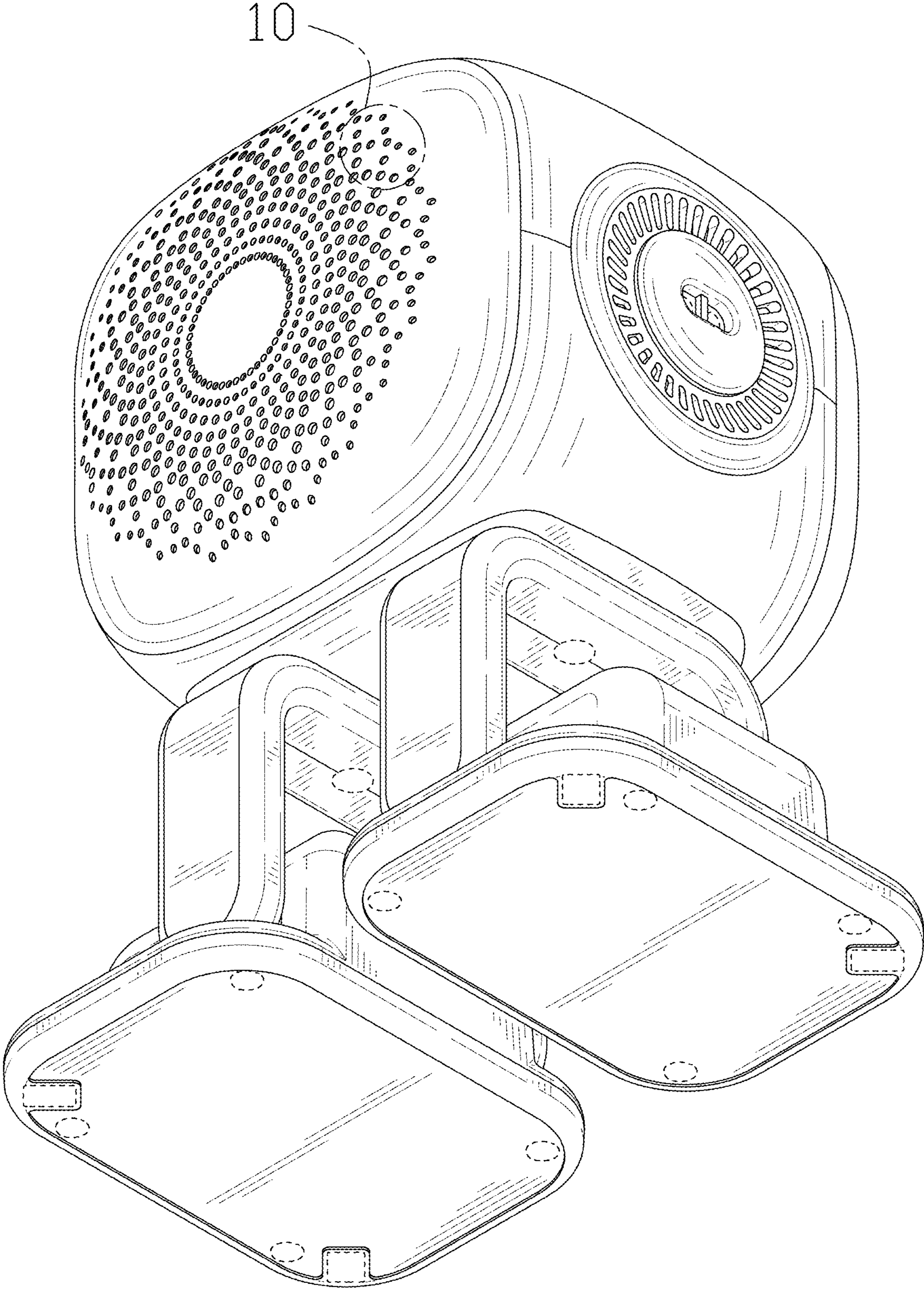


FIG. 2

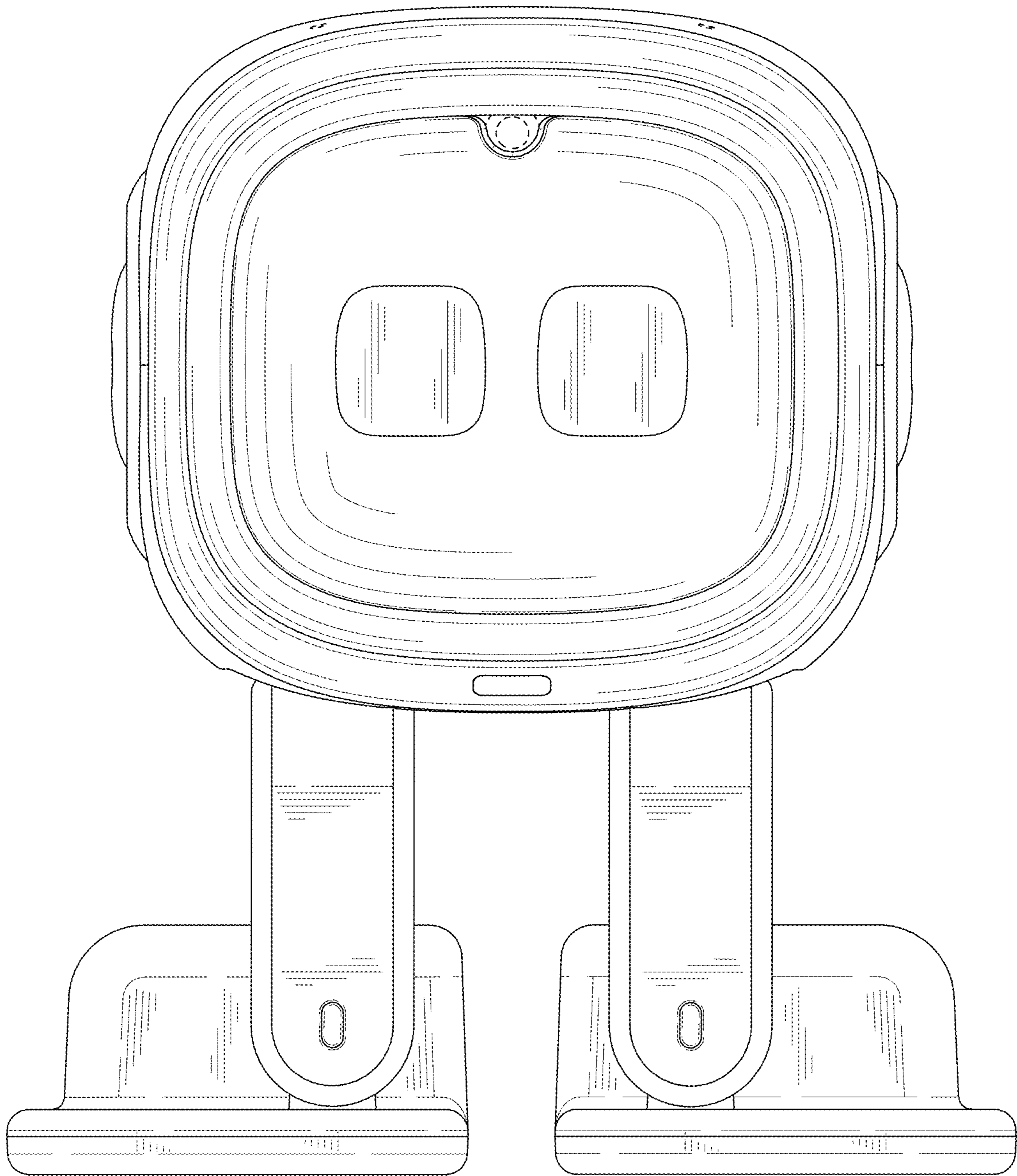


FIG. 3

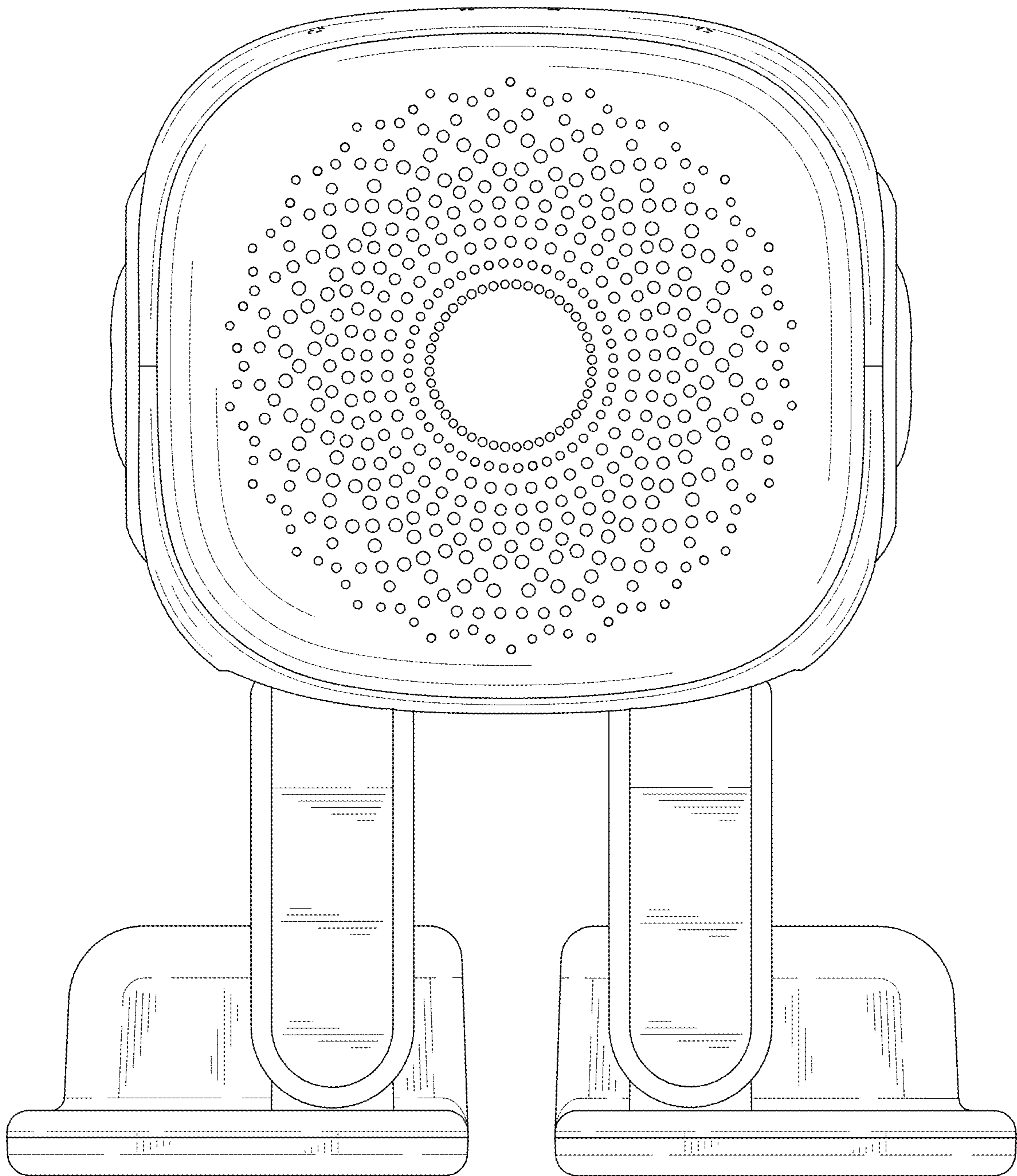


FIG. 4

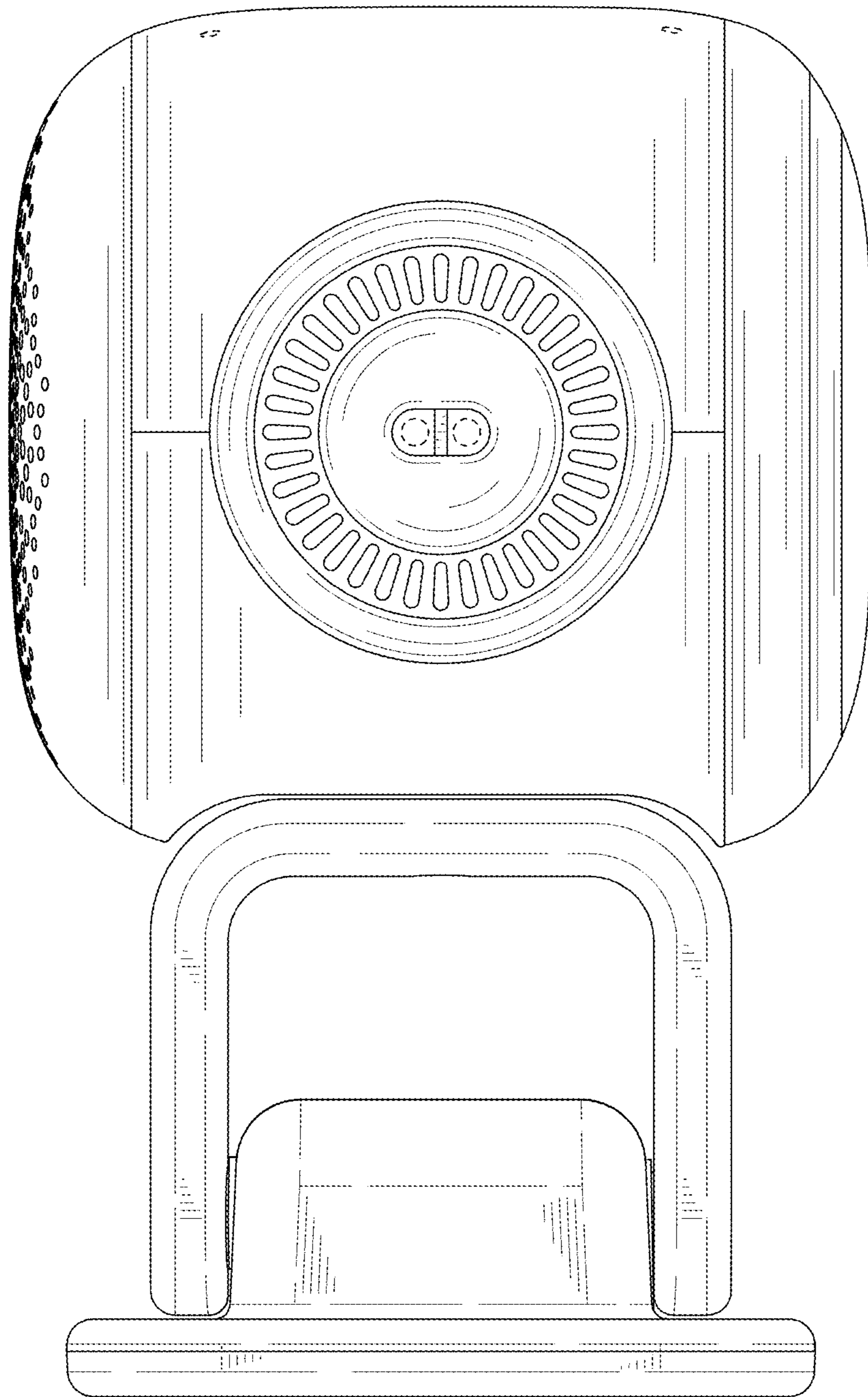


FIG. 5

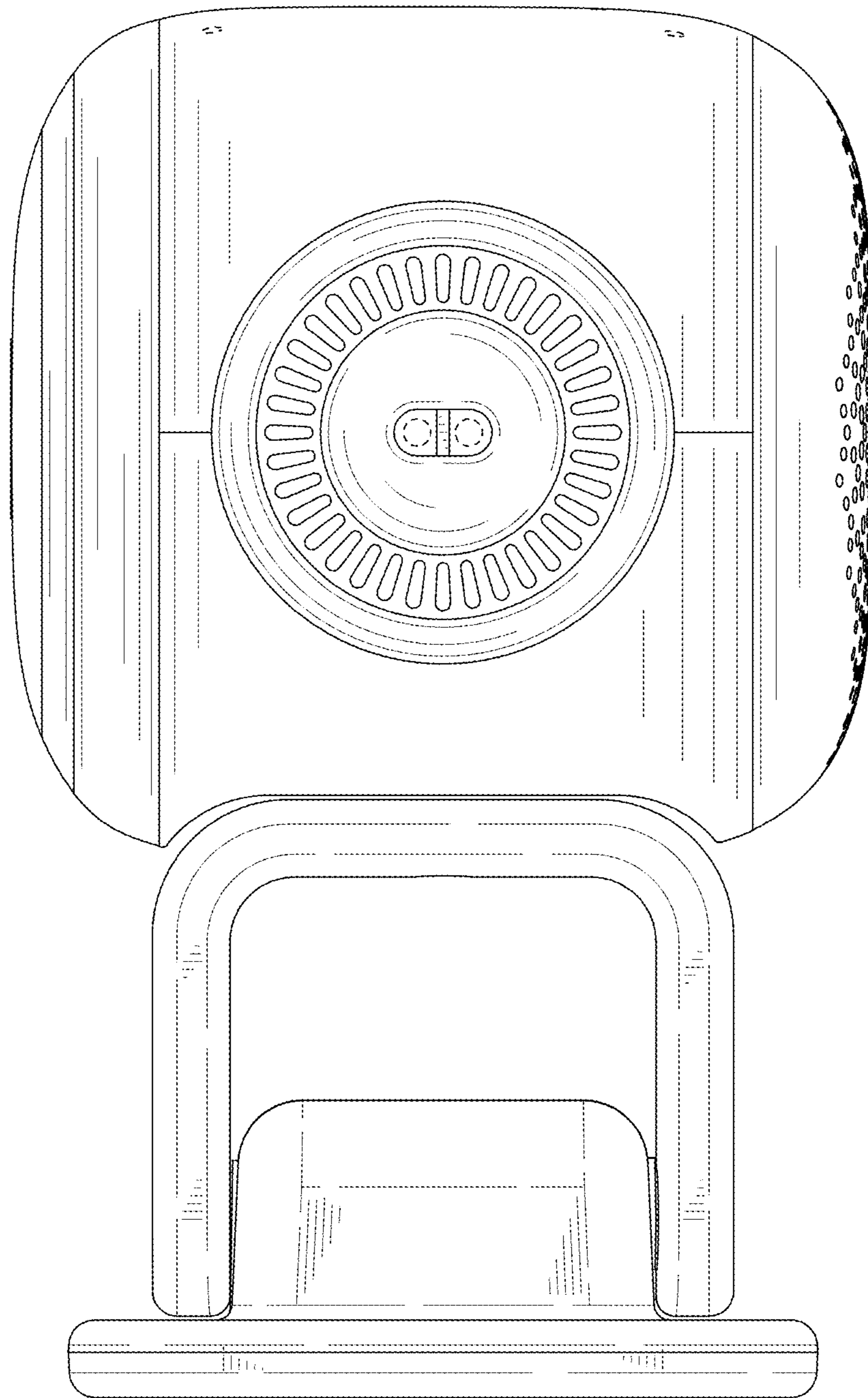


FIG. 6

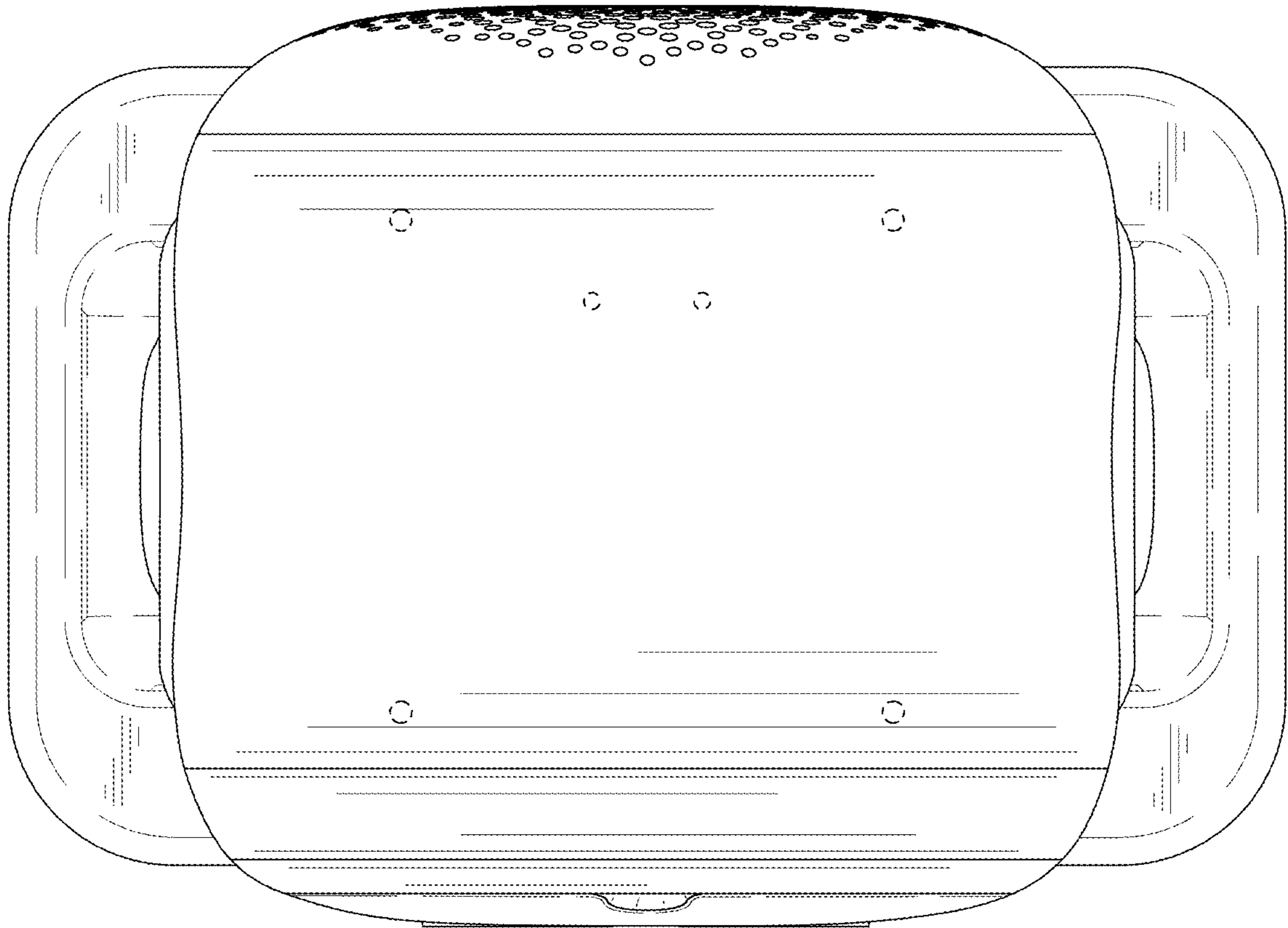


FIG. 7

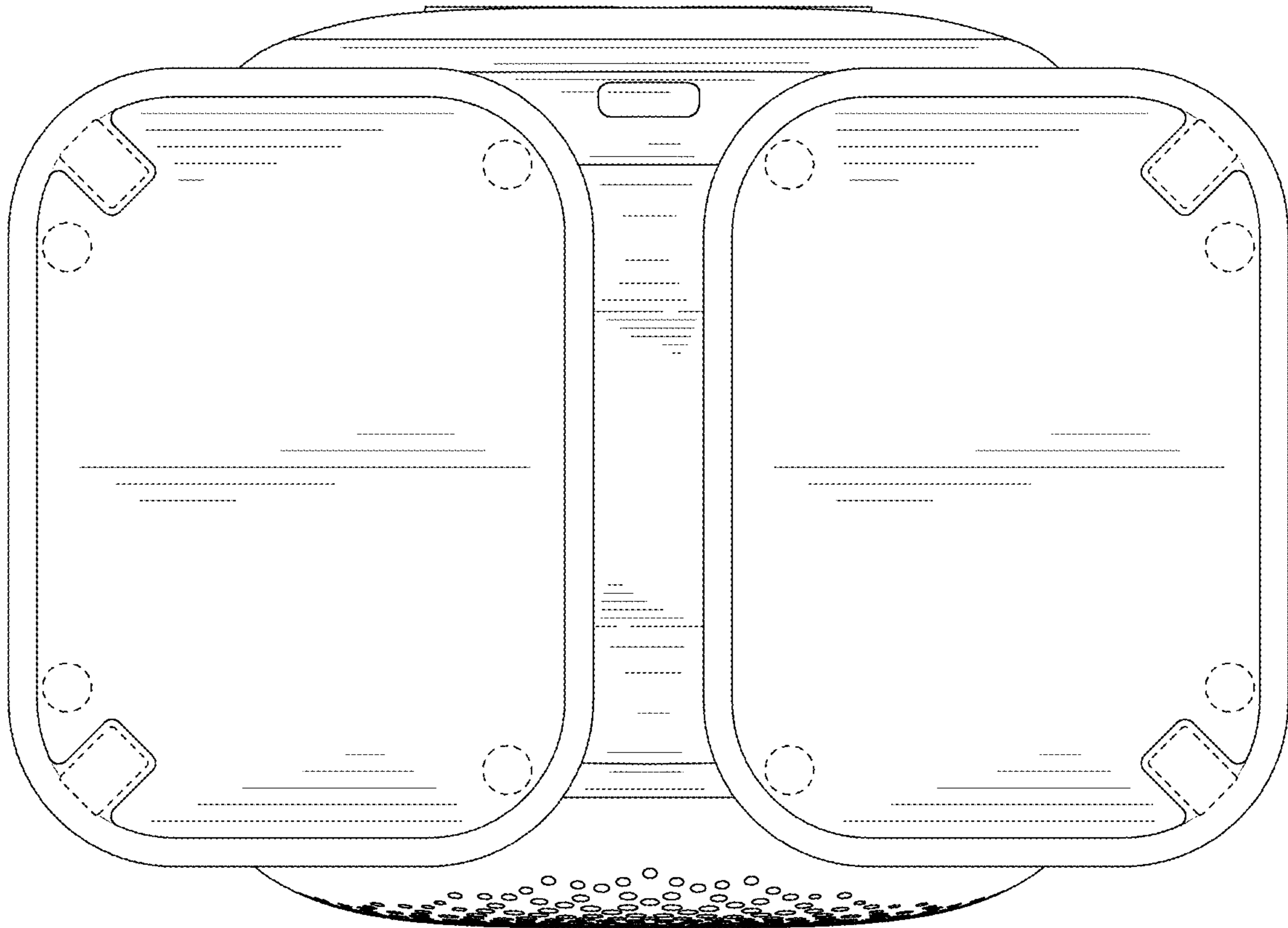


FIG. 8

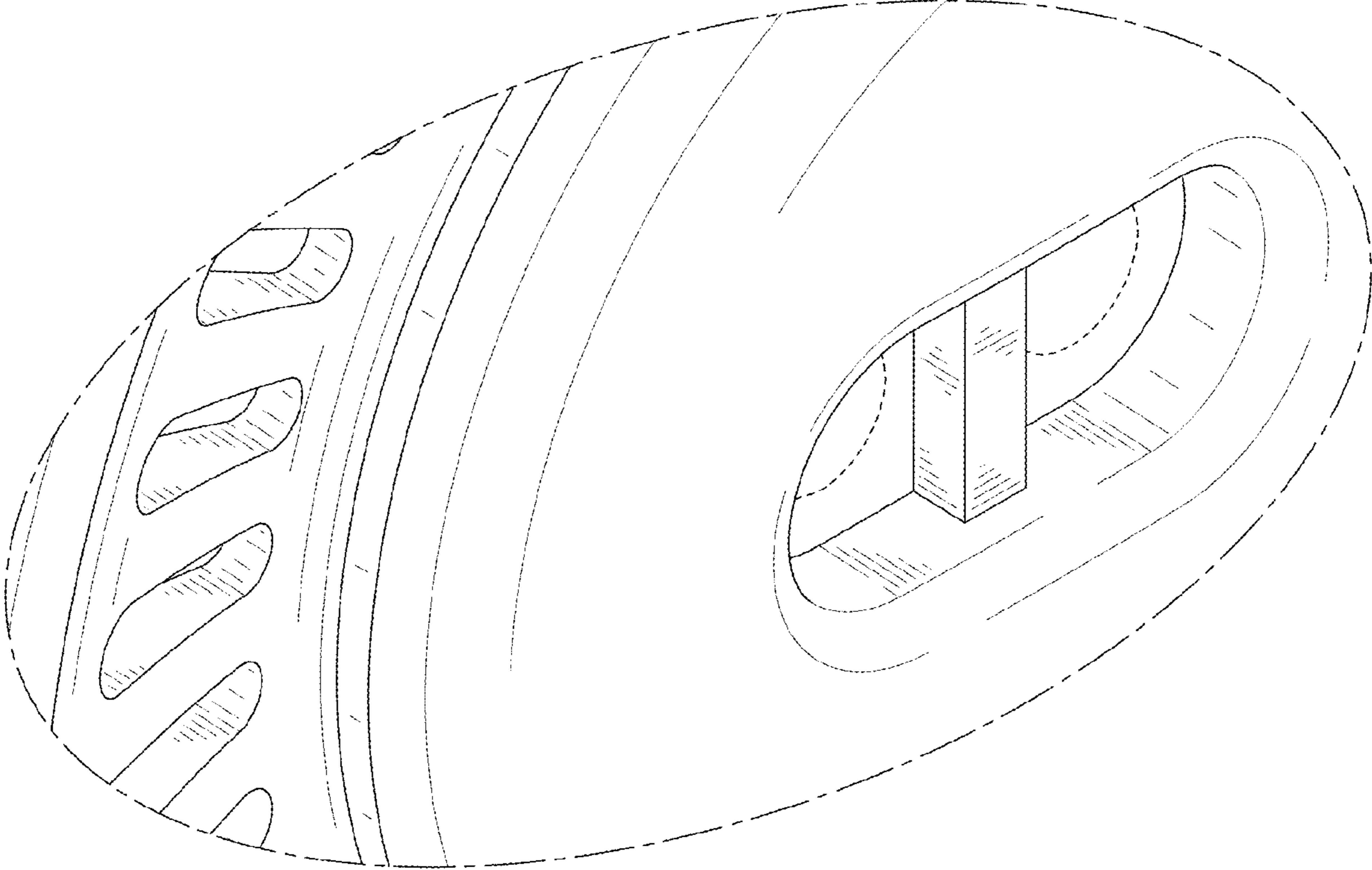


FIG. 9

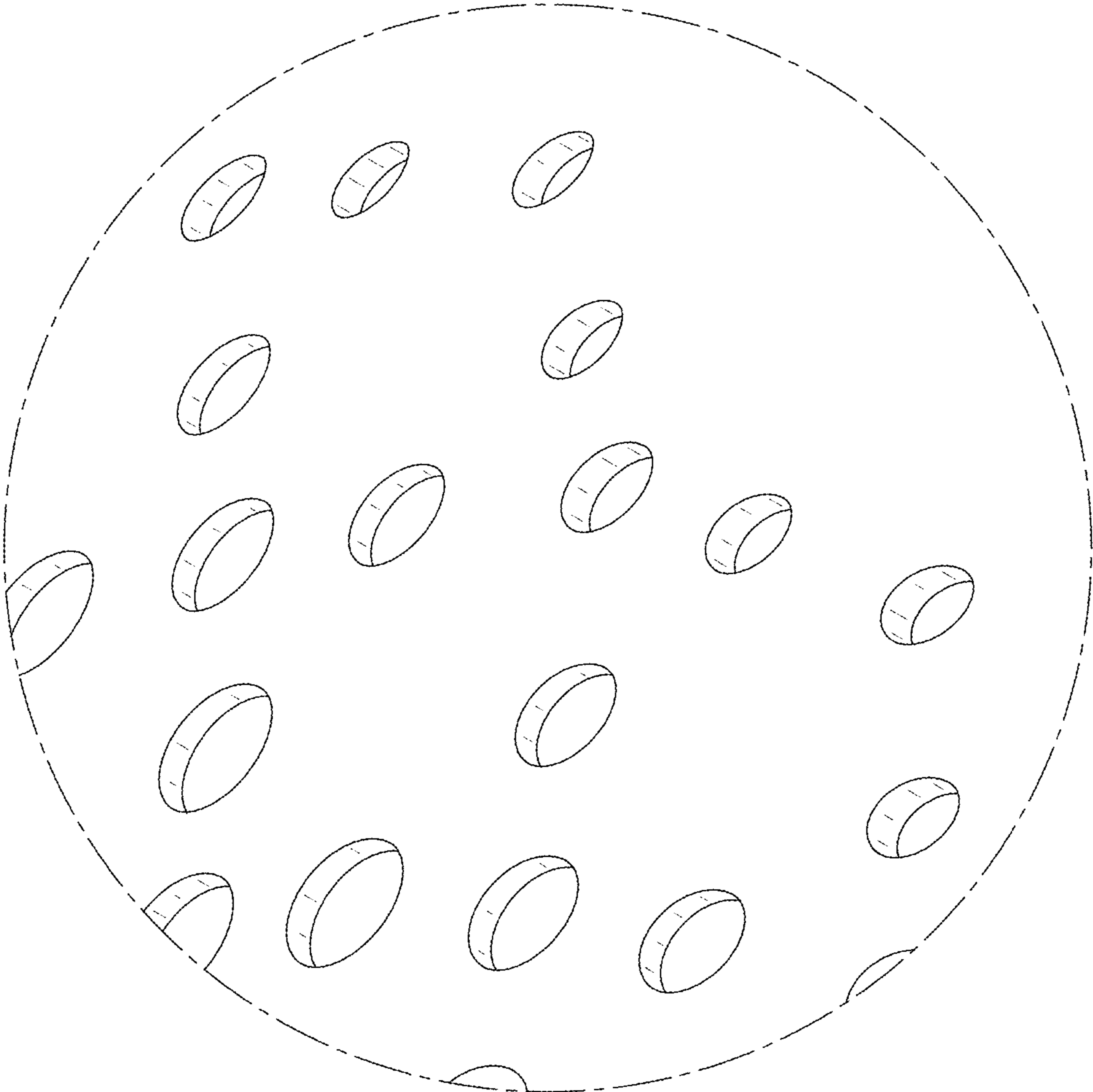


FIG. 10