



US00D951369S

(12) **United States Design Patent**
Sprowl et al.

(10) **Patent No.:** **US D951,369 S**
(45) **Date of Patent:** **** May 10, 2022**

(54) **MODEL VEHICLE BUMPER**

FOREIGN PATENT DOCUMENTS

(71) Applicant: **TRAXXAS, L.P.**, McKinney, TX (US)

CN 305108886 * 4/2019
DE 402017100863-0007 * 7/2018

(72) Inventors: **Jory Sprowl**, Honey Grove, TX (US);
Otto Karl Allmendinger, Rowlett, TX (US)

(Continued)

(73) Assignee: **TRAXXAS, L.P.**, McKinney, TX (US)

(**) Term: **15 Years**

(21) Appl. No.: **29/761,823**

(22) Filed: **Dec. 11, 2020**

(51) **LOC (13) Cl.** **21-01**

(52) **U.S. Cl.**
USPC **D21/561**

(58) **Field of Classification Search**
USPC D21/419, 424, 427, 428, 431, 433, 434,
D21/477, 483, 495, 533, 537, 539, 548,
D21/549, 550-554, 556-562; D12/163,
D12/164, 167, 172, 181
CPC B60R 19/02; B60R 19/44; B60R 19/48;
B60R 19/18; B60R 2019/522; A63H
17/262; B60G 15/067; B60G 2800/222;
B62D 43/10; B62D 21/183

See application file for complete search history.

(56) **References Cited**

U.S. PATENT DOCUMENTS

1,355,592 A	10/1920	De Graw
1,414,382 A	5/1922	Stafford
1,427,624 A	8/1922	Newton
1,448,504 A	3/1923	Plante
1,464,321 A	8/1923	Koester et al.
1,468,868 A	9/1923	Reichstetter, Jr. et al.
1,487,352 A	3/1924	Nelson
1,494,867 A	5/1924	Rahe
1,509,394 A	9/1924	Cox
1,534,760 A	4/1925	Blackmore
1,633,603 A	6/1927	Spencer
1,655,978 A	1/1928	Vella

(Continued)

OTHER PUBLICATIONS

Robatt, "Warn rock crawler front bumper on a 4RUNNER!!!" Oct. 14, 2009, yotatech.com, site visited Mar. 11, 2022, URL: <https://www.yotatech.com/forums/f116/warn-rock-crawler-front-bumper-4runner-190663/> (Year: 2009).*

(Continued)

Primary Examiner — Eric L Goodman

Assistant Examiner — Sarah L Smith

(74) *Attorney, Agent, or Firm* — Daryl R. Wright; Greg Carr

(57) **CLAIM**

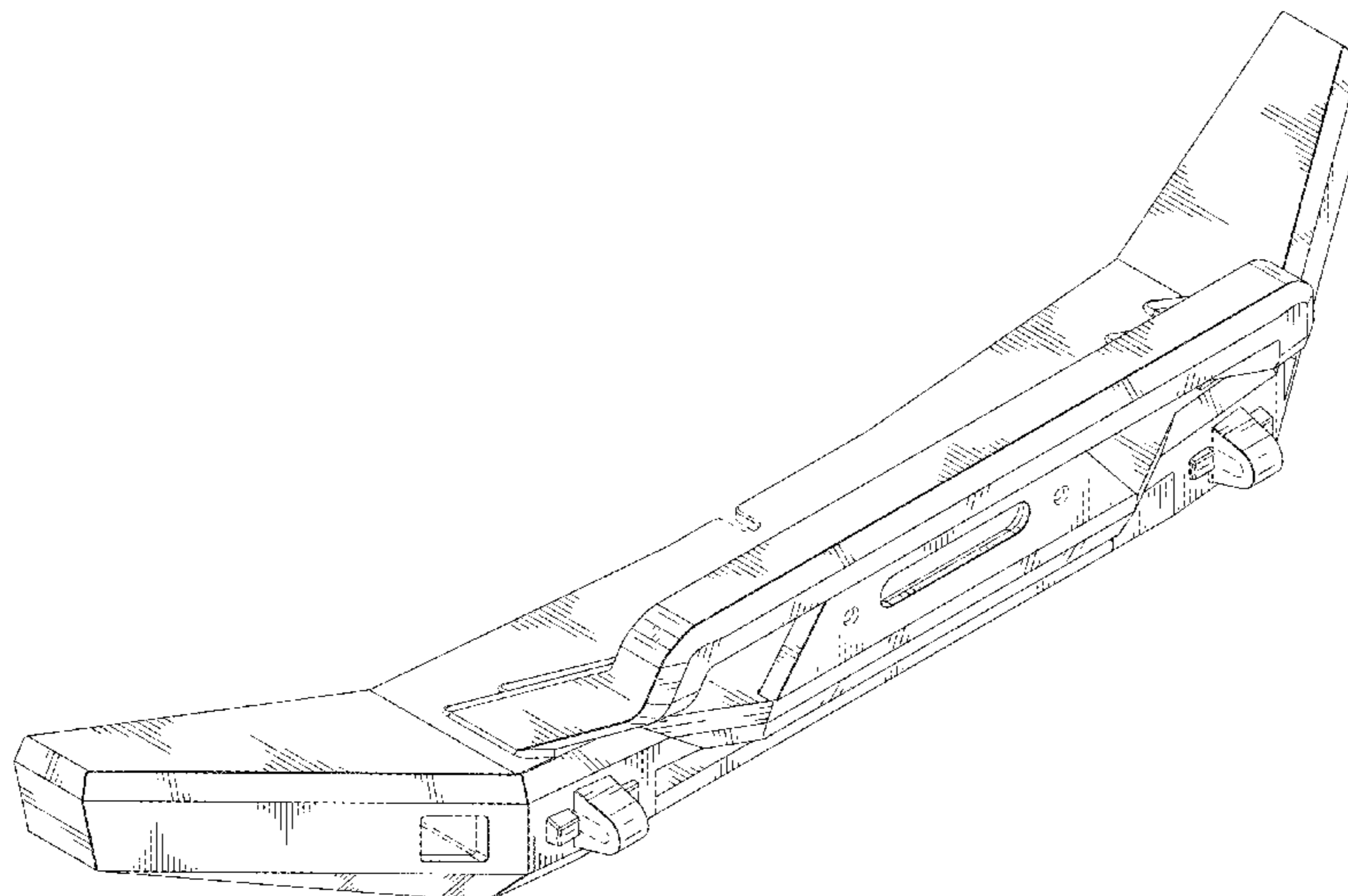
We claim the ornamental design for a model vehicle bumper, as shown and described.

DESCRIPTION

FIG. 1 is an upper, right, front perspective view of a model vehicle bumper showing our new design; FIG. 2 is a front elevation view thereof; FIG. 3 is a rear elevation view thereof; FIG. 4 is a left side elevation view thereof; FIG. 5 is a right side elevation view thereof; FIG. 6 is an upper plan view thereof; FIG. 7 is a lower plan view thereof; and, FIG. 8 is a lower, left, front perspective view of the model vehicle bumper.

In the drawings, the broken lines illustrate portions of the model vehicle bumper that form no part of the claimed design.

1 Claim, 5 Drawing Sheets



(56)

References Cited

U.S. PATENT DOCUMENTS

1,729,731 A	10/1929	Vidach	D691,074 S	10/2013	Dugardin
1,836,610 A	12/1931	McMurdo	D697,842 S	1/2014	Harriton
1,867,708 A	7/1932	Paton	D699,640 S	2/2014	Duderstadt
1,982,775 A	12/1934	Williams	D704,107 S	5/2014	Peltola et al.
2,038,964 A	4/1936	Smith	D713,305 S	9/2014	Sperling et al.
2,144,357 A	1/1939	Booharin	D716,201 S	10/2014	Ewing et al.
2,146,642 A	2/1939	Mueth	D722,927 S	2/2015	Schroeder et al.
2,227,560 A	1/1941	Szabo	D726,605 S	4/2015	Schroeder
2,236,507 A	4/1941	Kreits	D728,038 S	4/2015	Ewing et al.
D160,661 S	12/1949	Ross	D737,181 S	8/2015	Smith et al.
2,502,483 A	4/1950	Sauer et al.	D737,724 S	9/2015	Schroeder et al.
2,604,349 A	7/1952	Martinetz	D737,739 S	9/2015	Hanson et al.
3,547,469 A	12/1970	Sancioni	D740,730 S	10/2015	Peltola et al.
3,663,048 A	5/1972	Zimmerle	D741,233 S	10/2015	Glover et al.
3,689,054 A	9/1972	Gouirand	D744,384 S	12/2015	Harriton
D225,523 S	12/1972	Nunn	D744,386 S	12/2015	Harriton
3,756,643 A	9/1973	Weed	D744,387 S	12/2015	Harriton
3,774,948 A	11/1973	Gouirand	D744,388 S	12/2015	Harriton
3,782,767 A	1/1974	Moore	D749,021 S	2/2016	Boniface et al.
3,829,118 A	8/1974	Gouirand	D749,995 S	2/2016	Azadi et al.
3,837,695 A	9/1974	Haase et al.	D751,012 S	3/2016	Hare D12/171
D234,194 S	1/1975	Cline	D753,034 S	4/2016	Thole et al.
3,938,840 A	2/1976	Haase et al.	D760,133 S	6/2016	Bennett et al.
3,971,583 A	7/1976	Kornhauser	D761,166 S	7/2016	Hare
D245,774 S	9/1977	Norris	D763,745 S	8/2016	Lee, IV et al.
4,264,094 A	4/1981	White et al.	D764,728 S	8/2016	Choi et al.
D259,556 S	6/1981	Norris	D764,729 S	8/2016	Choi et al.
D259,557 S	6/1981	Norris	D769,945 S	10/2016	Serrurier et al.
D275,776 S	10/1984	Horowitz et al.	D771,537 S	11/2016	Hare
D300,128 S	3/1989	Brennan D12/169	D775,013 S	12/2016	Bennett et al.
5,181,699 A	1/1993	Chang	D775,016 S	12/2016	Reynolds
5,326,083 A	7/1994	Wydra et al.	D775,032 S	12/2016	Palmer et al.
D350,516 S	9/1994	Hanson	D776,582 S	1/2017	Bennett et al.
D360,865 S	8/1995	Hanson	D777,618 S	1/2017	Setina
D375,067 S	10/1996	Bronstein B60R 19/26 D12/169	D777,619 S	1/2017	Barajas D12/171
D403,023 S	12/1998	Araki	D778,213 S	2/2017	Platto et al.
5,971,451 A	10/1999	Huang	D778,784 S	2/2017	Hirooka
D420,634 S	2/2000	Nelson	D781,193 S	3/2017	McMath
D420,962 S	2/2000	Chevalier	D781,757 S	3/2017	Baggett
D422,953 S	4/2000	Waagenaar	D784,869 S	4/2017	Yamamoto
D425,462 S	5/2000	Ujje	D785,504 S	5/2017	Higgs
D431,506 S	10/2000	Runfola	D786,745 S	5/2017	Zeng
D432,469 S	10/2000	Nelson	D788,826 S	6/2017	Serrurier et al.
6,217,090 B1	4/2001	Berzinji	D789,258 S	6/2017	McMath D12/167
D454,098 S	3/2002	McGuinness	D790,600 S	6/2017	Serrurier et al.
D454,099 S	3/2002	McGuinness	D792,817 S	7/2017	McMath D12/171
D454,817 S	3/2002	McGuinness D12/171	D792,818 S	7/2017	McMath D12/171
D455,684 S	4/2002	McGuinness D12/171	D793,304 S	8/2017	McMath D12/171
D455,988 S	4/2002	McGuinness	D794,519 S	8/2017	McMath D12/171
D460,499 S	7/2002	Wu	D796,399 S	9/2017	Steen
D462,401 S	9/2002	Wu	D800,028 S	10/2017	Baggett
D462,727 S	9/2002	Wu	D800,036 S	10/2017	Bennett et al.
D464,087 S	10/2002	Wu	D800,226 S	10/2017	Zeng
D476,606 S	7/2003	Hamm et al.	D801,892 S	11/2017	Drever
D485,219 S	1/2004	Hamm et al.	D810,626 S	2/2018	Macey et al.
D487,038 S	2/2004	Chan	D811,956 S	3/2018	Zeng
D502,433 S	3/2005	McClanahan	D814,984 S	4/2018	Wymore D12/167
D506,421 S	6/2005	Newbill D12/169	D821,275 S	6/2018	Eck et al.
D521,572 S	5/2006	Yuen	D823,750 S	7/2018	Schulzetenberg et al.
7,097,222 B2	8/2006	Ran	D825,385 S	8/2018	Ma
D527,696 S	9/2006	Ichikawa et al.	D826,115 S	8/2018	Chi
D532,348 S	11/2006	Kudo et al.	D826,116 S	8/2018	DiCanzio
D533,606 S	12/2006	Kaminski	D827,054 S	8/2018	Ewing et al.
D534,593 S	1/2007	Yuen	D827,055 S	8/2018	Barajas D21/561
D565,484 S	4/2008	Johnson et al.	D828,223 S	9/2018	Piscitelli
D577,083 S	9/2008	Nakayama	D830,919 S	10/2018	Zeng
D580,322 S	11/2008	Schroeder et al.	D832,161 S	10/2018	Kobayashi
D590,752 S	4/2009	Williams et al.	D832,368 S	10/2018	Barajas D21/561
D593,616 S	6/2009	Asai	D833,922 S	11/2018	DiCanzio
D606,913 S	12/2009	Robertson	D845,844 S	4/2019	Langhals et al.
7,703,834 B1	4/2010	Hardy et al.	D845,845 S	4/2019	Goodrich et al.
D636,305 S	4/2011	Alvarez et al.	D845,846 S	4/2019	Goodrich et al.
D642,099 S	7/2011	Nagao et al.	D845,847 S	4/2019	Piscitelli et al.
D683,281 S	5/2013	Hamton	D846,460 S	4/2019	Goodrich et al.
			D846,461 S	4/2019	Piscitelli et al.
			D846,462 S	4/2019	DiCanzio
			D847,051 S	4/2019	DiCanzio
			D847,709 S	5/2019	Neal
			D850,334 S	6/2019	DiCanzio

(56)

References Cited

U.S. PATENT DOCUMENTS

D860,881	S	9/2019	Ninov et al.	
D864,806	S *	10/2019	Wood	D12/171
D870,615	S	12/2019	Wood	
D873,729	S	1/2020	Rolfs et al.	
D873,730	S	1/2020	Goodrich et al.	
D873,731	S	1/2020	Goodrich et al.	
D873,734	S	1/2020	Goodrich et al.	
D874,998	S	2/2020	Zhang	
D874,999	S	2/2020	Ewing et al.	
D877,003	S	3/2020	Izard	
D877,670	S *	3/2020	Moctezuma	D12/171
D878,976	S	3/2020	Goodrich et al.	
D878,978	S	3/2020	Li	
D880,381	S	4/2020	DiCanzio	
D887,328	S	6/2020	Lee	
D889,332	S	7/2020	Chi	
D890,036	S *	7/2020	Marshall	D12/169
D891,330	S	7/2020	Lenz, Jr.	
D893,366	S	8/2020	Dewitt et al.	
D894,802	S	9/2020	Grand	
D894,803	S	9/2020	DiCanzio	
D896,139	S	9/2020	Williams	
D904,244	S	12/2020	Wood et al.	
D908,177	S	1/2021	Jory et al.	
D908,561	S	1/2021	Harriton et al.	
D908,562	S	1/2021	Harriton et al.	
D909,918	S	2/2021	Langhals et al.	
D910,493	S	2/2021	Langhals et al.	
D910,507	S *	2/2021	Bennett	D12/169
D918,802	S	5/2021	Huang	
D918,803	S *	5/2021	Wood	B60R 3/02 D12/171
D919,516	S	5/2021	Chi	
D920,194	S	5/2021	Mallicote et al.	
11,014,517	B2 *	5/2021	Hatch	B60R 3/02
D923,111	S *	6/2021	Wood	D21/561
D923,112	S	6/2021	Hagler et al.	
D923,113	S	6/2021	Hagler et al.	
D937,146	S	11/2021	Kaoud et al.	
D940,015	S *	1/2022	Sprowl	A63H 27/12 D12/169
2006/0021188	A1	2/2006	Lee	
2006/0192398	A1	8/2006	Buniewicz et al.	
2006/0261613	A1	11/2006	Byers et al.	
2009/0212581	A1	8/2009	Drever	
2009/0302623	A1	12/2009	Finney	
2013/0187395	A1	7/2013	Hanson et al.	
2013/0257070	A1 *	10/2013	Ebara	B60R 19/26 293/132
2017/0088076	A1 *	3/2017	Fujimoto	B60R 19/12
2017/0247014	A1	8/2017	Farooq et al.	
2017/0349227	A1	12/2017	Spindler et al.	
2018/0072254	A1	3/2018	Wymore	
2019/0337476	A1	11/2019	Hare et al.	
2021/0046395	A1 *	2/2021	Allmendinger	A63H 27/12

FOREIGN PATENT DOCUMENTS

EM	008468474-0002	3/2021		
TW	D147600	S	6/2012	
TW	D154920	S	7/2013	
TW	D163365	S	10/2014	
TW	D168397	S	6/2015	
TW	D169825	S	8/2015	
WO	WO-2007056481	A2 *	5/2007 A63H 17/05

OTHER PUBLICATIONS

“Tags,” Feb. 2, 2017, pxhere.com, site visited Mar. 11, 2022, URL: <https://pxhere.com/en/photo/601400> (Year: 2017).*

“That new new,” Nov. 20, 2019, facebook.com, site visited Nov. 20, 2019, URL: (possible 102 or 103) <https://www.facebook.com/traxxas/photos/2589499214431423> (Year: 2019).*

“RC Front Bumper,” Aug. 28, 2019, amazon.com, site visited Mar. 11, 2022, URL: <https://www.amazon.com/Aluminum-Traxxas-Crawler-Large-Size-Heavy-Metal/dp/B07X42VJNY/> (Year: 2019).*

“Wide World of TRX-4 Sports: Part 2,” Oct. 28, 2020, facebook.com, site visited Mar. 11, 2022, URL: <https://www.facebook.com/traxxas/photos/3475502935831042> (Year: 2020).*

“Wake up & find your adventure!” Sep. 26, 2020, facebook.com, site visited Mar. 11, 2022, URL: <https://www.facebook.com/traxxas/photos/3378456638869006> (Year: 2020).*

Bumper, Rear, Traxxas 9036, available on hobby-time.com, original text Aug. 29, 2020, [site visited Jan. 24, 2022], URL: https://www.hobby-time.com/index.php?main_page=product_info&products_id=69348(Year: 2020).

Traxxas Hoss Rear Bumper, available on hobbytown.com, product added to catalog Feb. 17, 2021, [site visited Jan. 24, 2022], URL: <https://www.hobbytown.com/traxxas-hoss-rear-bumper-tra9036/p1253531> (Year: 2021).

Traxxas 9036 Bumper, available on Amazon.com, [site visited Jan. 24, 2022], URL: <https://www.amazon.com/Traxxas-9036-Bumper-Mount-Support/dp/B08FP5CSYG/> (Year: 2022).

Bumper, rear (#9036), available on traxxas.com, [site visited Jan. 24, 2022], URL: <https://traxxas.com/products/parts/9097> (Year: 2022).

Hoss 4X4 LED Light Kit, available on traxxas.com, [site visited Jan. 24, 2022], URL: <https://traxxas.com/products/parts/9095-hoss-4x4-light-kit> (Year: 2022).

Traxxas 8936 Bumper, available on Amazon.com, [site visited Jan. 24, 2022], URL: <https://www.amazon.com/Traxxas-8936-Bumper-Rear/dp/B081LMYSNT/> (Year: 2022).

RPM Wide Front Bumper Black Rustler, available on amazon.com, date first available Jun. 21, 2007, [site visited Jan. 24, 2022], URL: <https://www.amazon.com/RPM-Bumper-Rustler-Stampede-Bandit/dp/B0006O7RR4/> (Year: 2007).

Axial SCX10 III, available on amainhobbies.com, added to catalog Apr. 8, 2020, [site visited Jan. 24, 2022], URL: <https://www.amainhobbies.com/axial-scx10-iii-crc-jeep-jlu-bumper-set-axi230018/p1204845> (Year: 2020).

Traxxas 8990 Complete Waterproof LED Light Bar Kit, Nov. 14, 2019, amazon.com, Dec. 15, 2021, URL: <https://www.amazon.com/Traxxas-8990-LED-Light-Kit/dp/B07YGR7GLT> (Year: 2019).

Traxxas7735 X-Maxx Front Bumper, Jan. 5, 2016, amazon.com, Dec. 15, 2021, URL: <https://www.amazon.com/Traxxas-7735-X-Maxx-Front-Bumper/dp/B01A6Z06HU/> (Year: 2016).

Bull Bars. (Design—© Questel) orbit.com. 16 pgs. Print Dates Range Oct. 8, 2019-Apr. 14, 2005 [Retrieved Jun. 4, 2021].

“4 PCS ZD Racing 8481 Front Bumper Set.” Before Jul. 21, 2019. Banggood. https://www.banggood.com/4PCS-ZD-Racing-8481-Front-Bumper-Set-for-9116-08427-9021-V3-1-or-8-RC-Car-Parts-p-1528272.html?cur_warehouse=CN (Year: 2019).

Onorato, Paul. “3 Must-See Pro-Line Traxxas Slash Builds that Anyone Can Do!” Apr. 29, 2019. RC Driver <https://www.rcdriver.com/3-must-see-pro-line-traxxas-slash-builds-that-anyone-can-do/> (Year: 2019).

“Traxxas Trx4 Aluminum Front Bumper (GPM Racing Product) Adding Extra Weight to the Front—RC Overdose.” Jan. 31, 2018. YouTube. https://www.youtube.com/watch?v=_wui5f_k1eY (Year: 2018).

Traxxas LP; The New Traxxas Summit 16.8 V Electric Extreme Terrain Monster Truck; Traxxas Press Release; Oct. 16, 2008.

Summit E-Revo Crawler SP08503 front bumper; Oct. 16, 2008.

“How Do I Add a Ball Hitch to my RPM Rear Bumper (T/E-Maxx & Revo Bumpers)?” RPM, Jul. 30, 2005 [online], [retrieved on Sep. 12, 1996]. Retrieved from the internet, URL: <http://www.rpmrproducts.com/faq/add-ball-hitch-rpm-rear-bumper-te-maxx-revo-bumpers/>>.

“WARN 87750 Elite Series Front Bumper with Grill Guard Tube” RPM, Jul. 17, 2013 [online], [retrieved on Sep. 12, 2016]. Retrieved from Internet, URL: https://www.amazon.com/gp/product/B00625F4FI/ref=pd_sim_263_5?ie=UTF8&pd_rd_i=B00625F4FI&pd_rd_r=QN6NZ5WV34ZS00Z3BSGH&pd_rd_w=4XjJD&pd_rd_wg=7Z80V&pvc=1&refRID=QN6NZ5WV34ZS0.

“Yeah Racing F/R Bumper w/ HD Shackie & LED’s—SCX10, Traxxas.” RC Hobbies, Nov. 12, 2014 [online], [retrieved on Sep.

(56)

References Cited

OTHER PUBLICATIONS

12, 2016]. Retrieved from the Internet <URL: http://rchobbies.com.au/store/product_info.php?products_id=80405>.

Taiwan IPO Search Report; Taiwan Design Patent App No. 105301434; dated Aug. 4, 2016.

Associated Electrics; “Catalog and Parts Listing for the Monster GT Truck”; 2003; Associated Electrics, Inc., Costa Mesa, California.

Horizon Hobby; “Team Losi LST Super Truck—Drive Train Assy” exploded view; Horizon Hobby, Inc., Champaign, Illinois.

HPI Racing, “Savage 21 4WD Giant Monster Truck” p. 56 exploded view; Hobby Products International, Foothill Ranch, California.

Tamiya, “Terra Crusher Parts Breakdown—Front End”; Tamiya America, Inc., Aliso Viejo, California.

Tamiya, “Wild Willy 2 Parts Breakdown”; 1999, Tamiya America, Inc., Aliso Viejo, California.

Tamiya, “Wild Willy”; Tamiya America, Inc., Aliso Viejo, California; 1 photograph.

Traxxas, “T-Maxx Assemblies—Front Assembly”; Traxxas LP, Plano, Texas.

Axial SCX10 II 2000 Jeep Cherokee; <http://www.axialracing.com/products/ax90047>; Aug. 2016.

Axial SCX 10 Deadbolt; <http://www.axialracing.com/products/ax90044>; Aug. 2016.

Traxxas; Bumper support geometry, body mounts, body mount posts; <https://traxxas.com/products/parts/3619>; Oct. 2016.

Sema 2015 Fab Fours; 2 photos.

PL6088-00 Front Proline Ridge-Line Bumper (SMAL), Earliest Available Date May 2, 2019 [Online], [Site Visited Oct. 20, 2020] Available From Internet, URL: <https://www.ebay.com/itm/PL6088-00-Front-PROLINE-RIDGE-LINE-BUMPER-SMAL-SET-VOOR-NARROW-ROCK-CRAWLING-/153425968229?_trksid=p2385738.m4383.14275.c10> (Year: 2019).

Traxxas TRX-4 Winch Front Bumper, Earliest Available Date May 22, 2019 [Online], [Site Visited Oct. 20, 2020] Available From Internet, URL: <https://www.amainhobbies.com/traxxas-trx-4-winch-front-bumper-tra8124/p779826?gclid=EAIaIQobChMI0aymroXE7AIVD02GCh0ntA-WEAQYBSABEgJl5_D_BwE> (Year: 2019).

TF2 Mojave ARB-DELUXE Metal Front Bumper Assembly, Earliest Available Date Oct. 22, 2020 [Online], [Site Visited Oct. 22, 2020] Available From Internet, URL: <<https://www.aliexpress.com/i/4000118857581.html>> (Year: 2020).

Traxxas 5834 Front Bumper Mount Front Adapter 2WD Slash 4x4, Earliest Available Date Jul. 15, 2020 [Online], [Site Visited Oct. 22, 2020] Available From Internet, URL: <https://www.ebay.com/itm/Traxxas-5834-Front-Bumper-Mount-Front-Adapter-2WD-Slash-4x4-/174332832512?_trksid=p2385738.m4383.14275.c10> (Year: 2020).

Traxxas TRA6736 Bumper, Front/ Bumper Support, Earliest Available Date Oct. 22, 2020 [Online], [Site Visited Oct. 22, 2020] Available From Internet, URL: <<https://amazon.com/Traxxas-TRA6736-Bumper-Front-Support/dp/B07HJF56V1#customerReviews>> (Year: 2020).

* cited by examiner

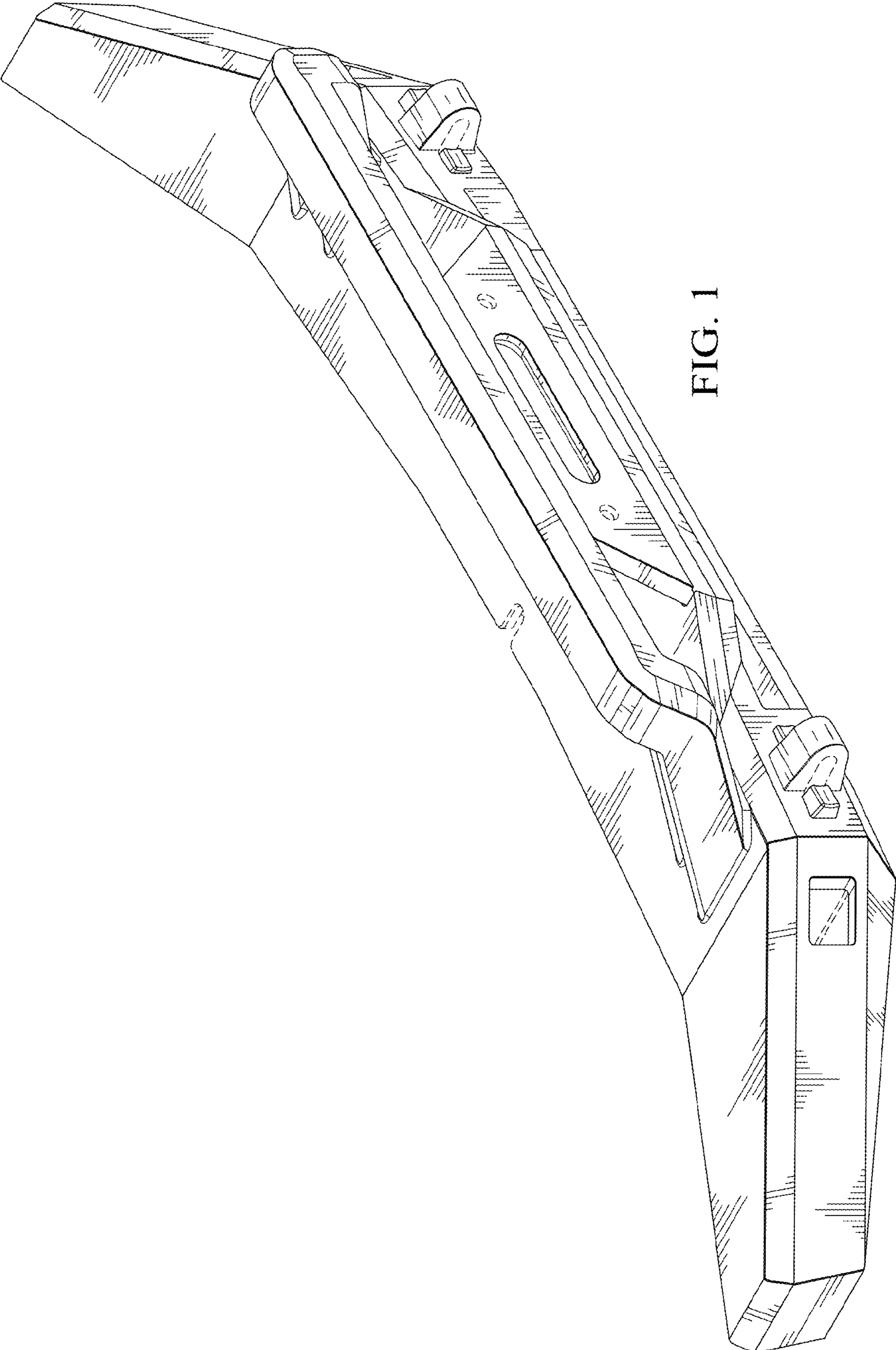


FIG. 1

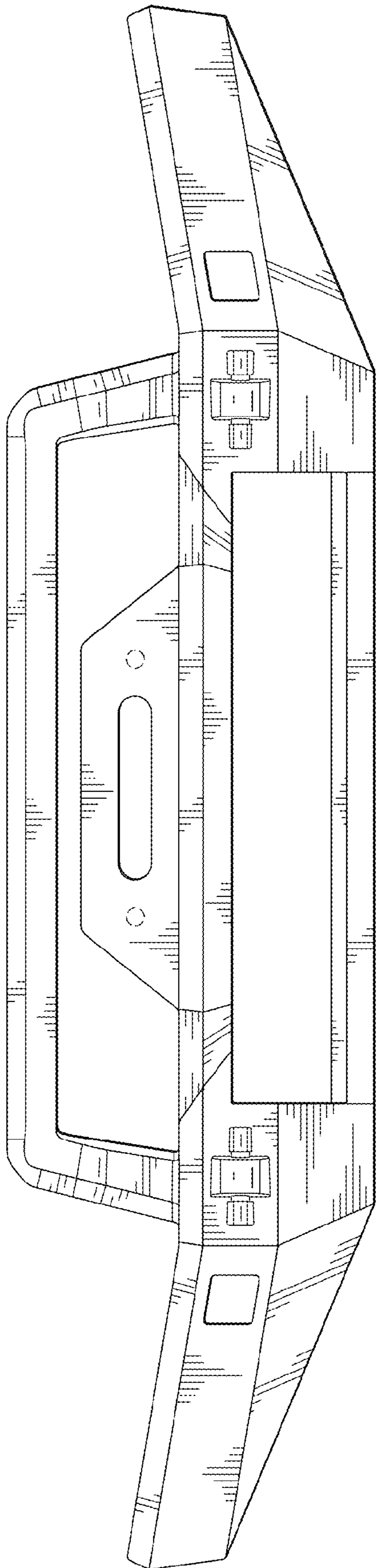


FIG. 2

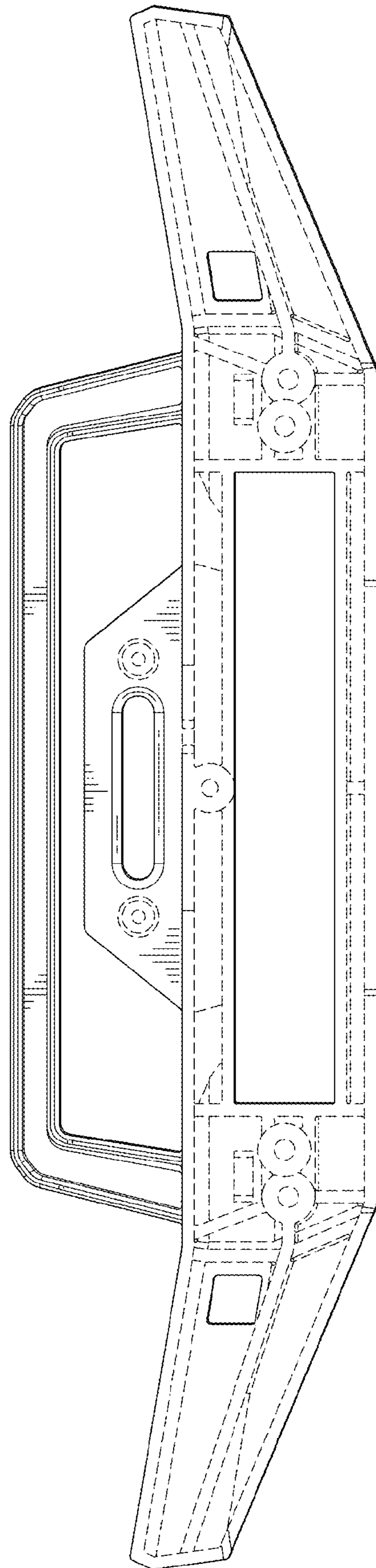


FIG. 3

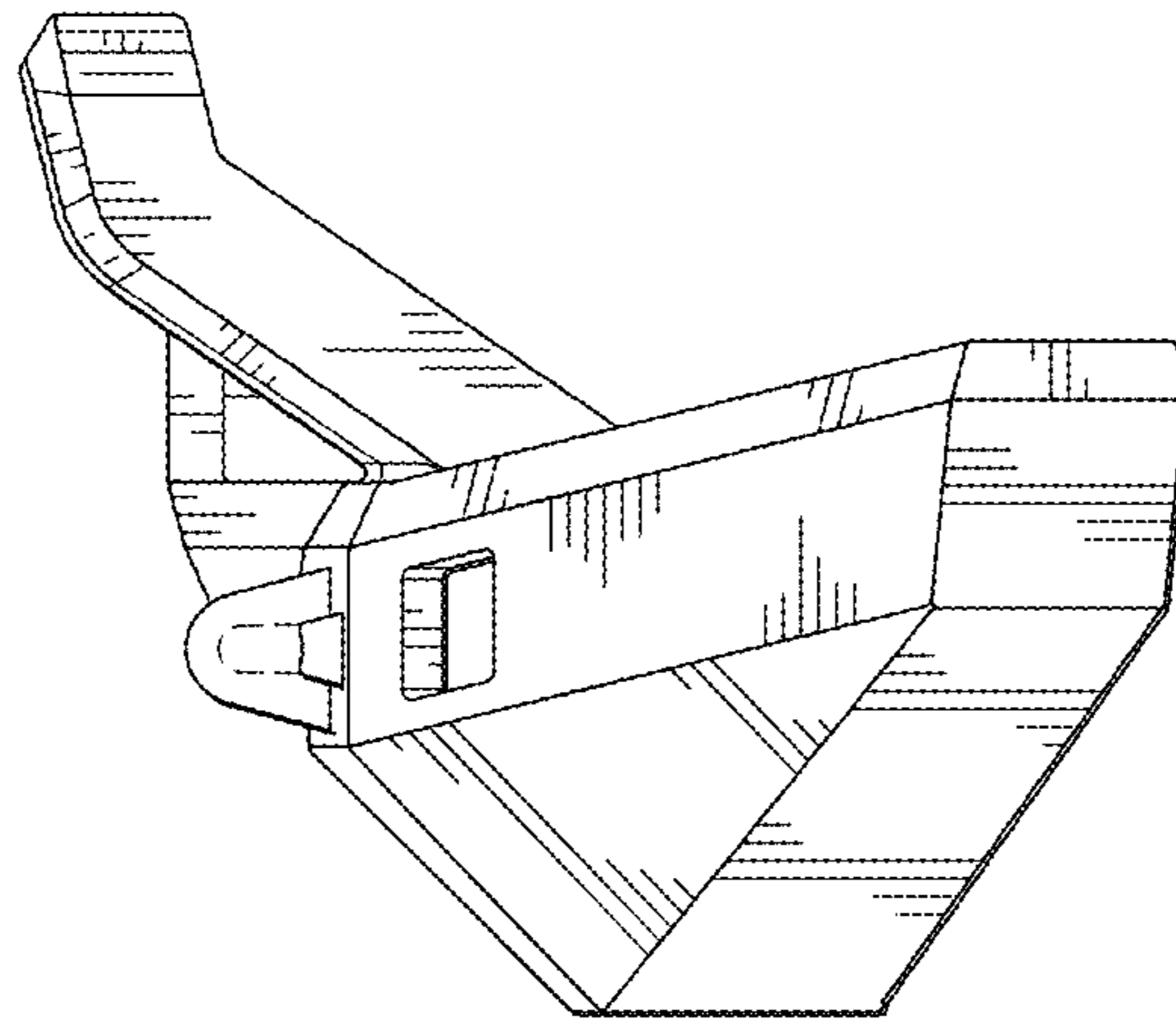


FIG. 4

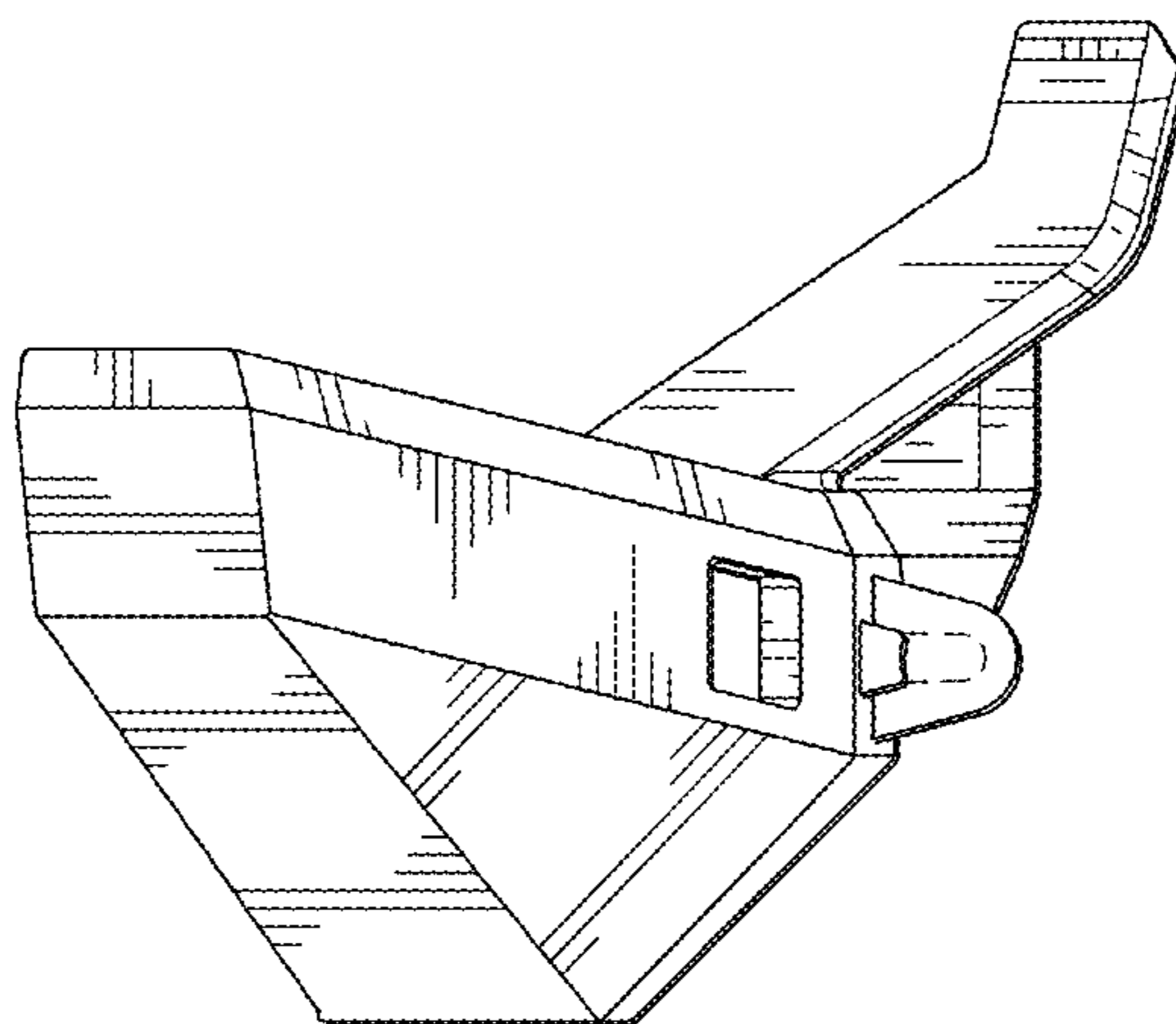


FIG. 5

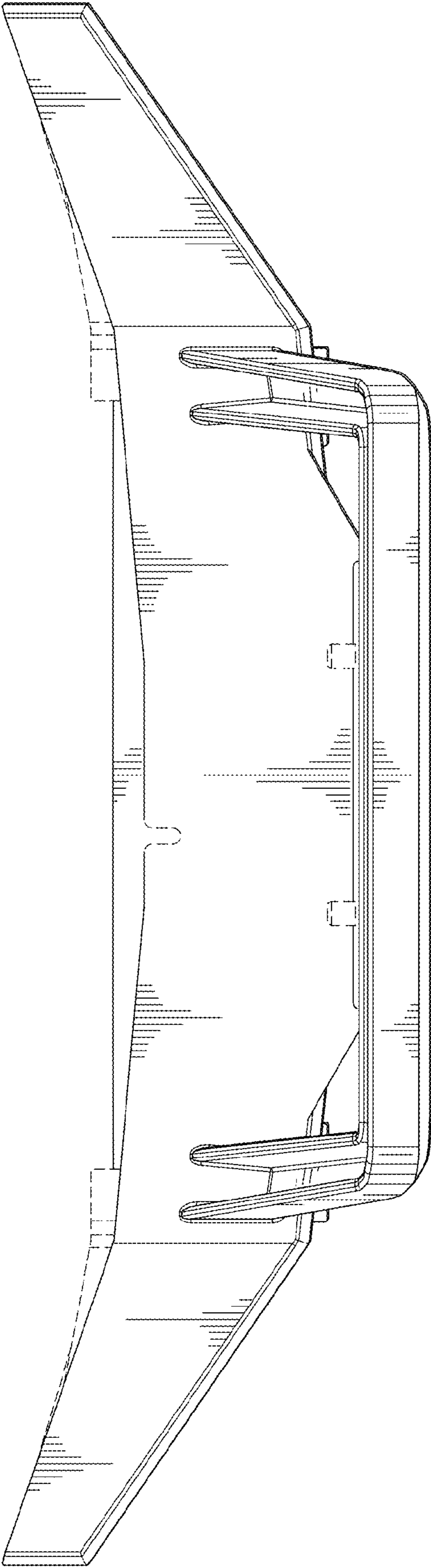


FIG. 6

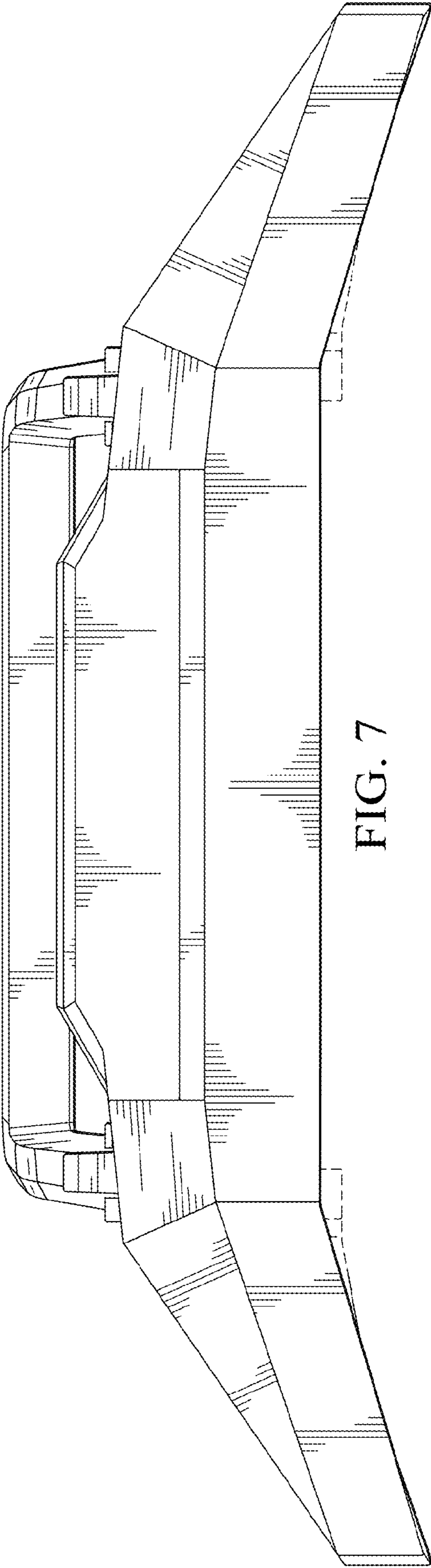


FIG. 7

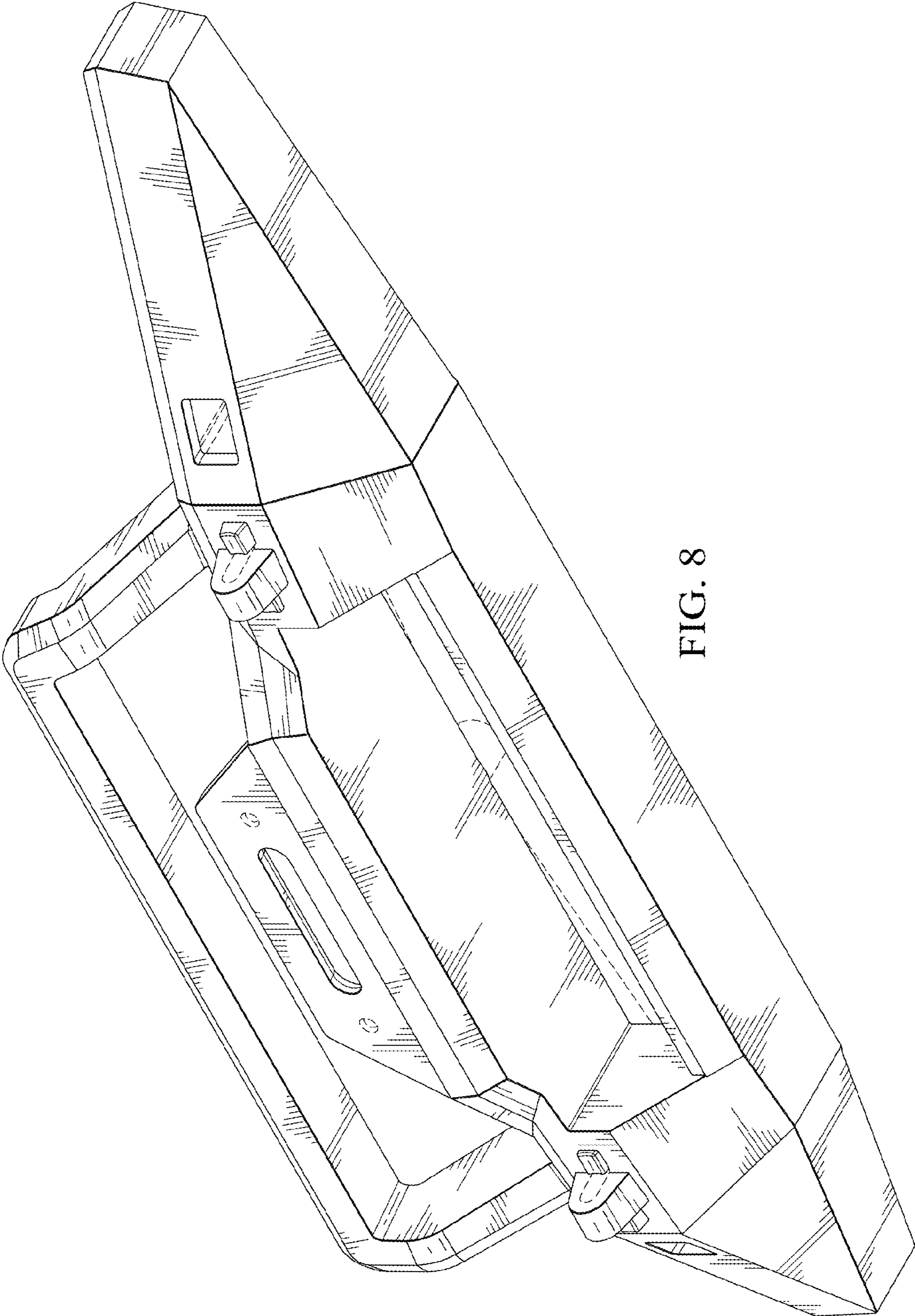


FIG. 8