



US00D951368S

(12) **United States Design Patent**
Chen

(10) **Patent No.:** **US D951,368 S**

(45) **Date of Patent:** **** May 10, 2022**

(54) **DUNE BUGGY TOY**

(71) Applicant: **Bo Chen**, Guangdong (CN)

(72) Inventor: **Bo Chen**, Guangdong (CN)

(73) Assignee: **Shantou P&C Plastic Products Company Limited**, Shantou (CN)

(**) Term: **15 Years**

(21) Appl. No.: **29/753,226**

(22) Filed: **Sep. 30, 2020**

(30) **Foreign Application Priority Data**

May 5, 2020 (CN) ZL202030195536.X

(51) **LOC (13) Cl.** **21-01**

(52) **U.S. Cl.**
USPC **D21/552**

(58) **Field of Classification Search**
USPC D21/533, 548, 549, 550, 552, 559, 560,
D21/561, 562

CPC A63H 17/00; A63H 17/004; A63H 17/05;
A63H 17/06; A63H 17/262

See application file for complete search history.

(56) **References Cited**

U.S. PATENT DOCUMENTS

D281,000 S * 10/1985 Kuna D21/559
D443,318 S * 6/2001 Tse D21/559

D454,602 S * 3/2002 Tse D21/559
D460,130 S * 7/2002 Cheng D21/551
D461,510 S * 8/2002 Wu D21/433
D721,769 S * 1/2015 Johnson D21/552
D771,202 S * 11/2016 Gan D21/552
D827,037 S * 8/2018 Exley D21/548
D870,209 S * 12/2019 Chen D21/431

* cited by examiner

Primary Examiner — Cynthia M. Chin

(74) *Attorney, Agent, or Firm* — Minder Law Group;
Willy H. Wong

(57) **CLAIM**

The ornamental design for a dune buggy toy, as shown and described.

DESCRIPTION

FIG. 1 is a front view of a dune buggy toy in accordance with the present invention.

FIG. 2 is a rear view thereof.

FIG. 3 is a left side view thereof.

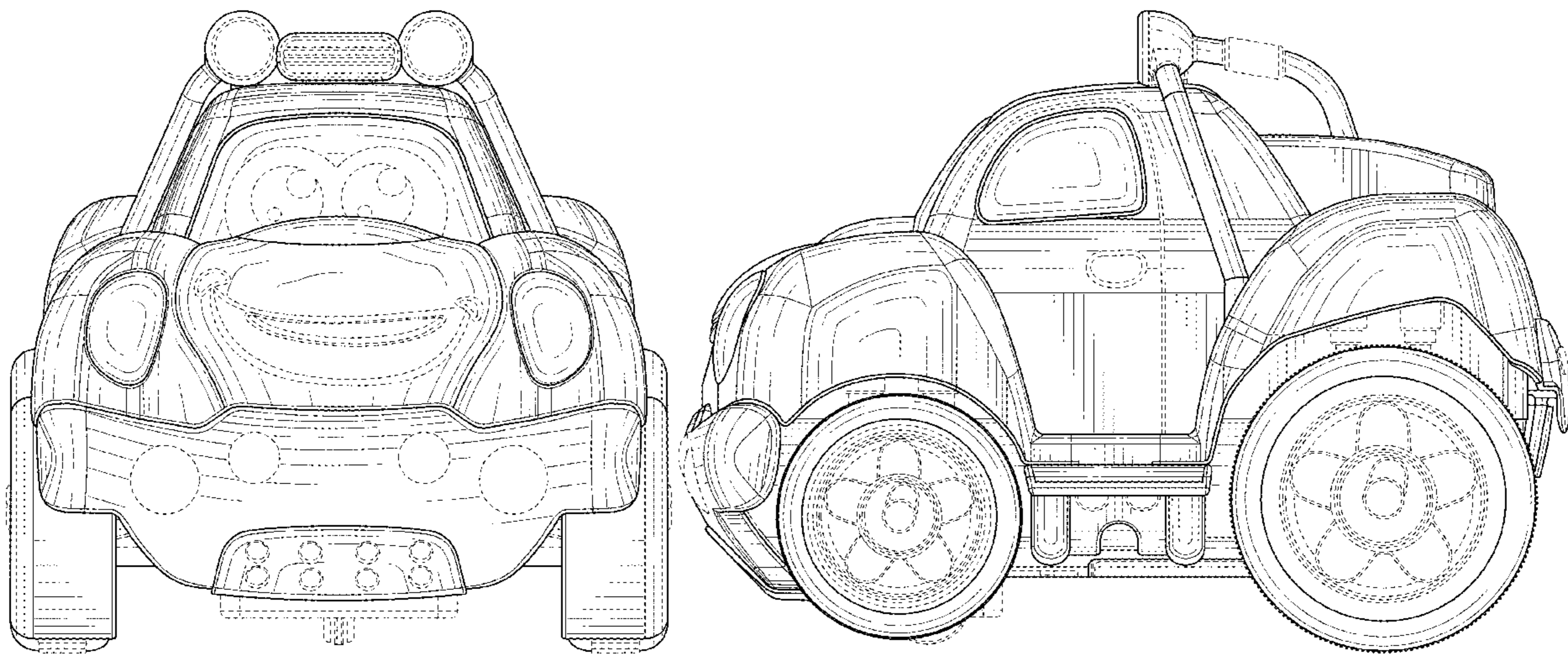
FIG. 4 is a right side view thereof.

FIG. 5 is a top view thereof; and,

FIG. 6 is a bottom view thereof.

The broken lines show portions of the dune buggy toy that form no part of the claimed design.

1 Claim, 6 Drawing Sheets



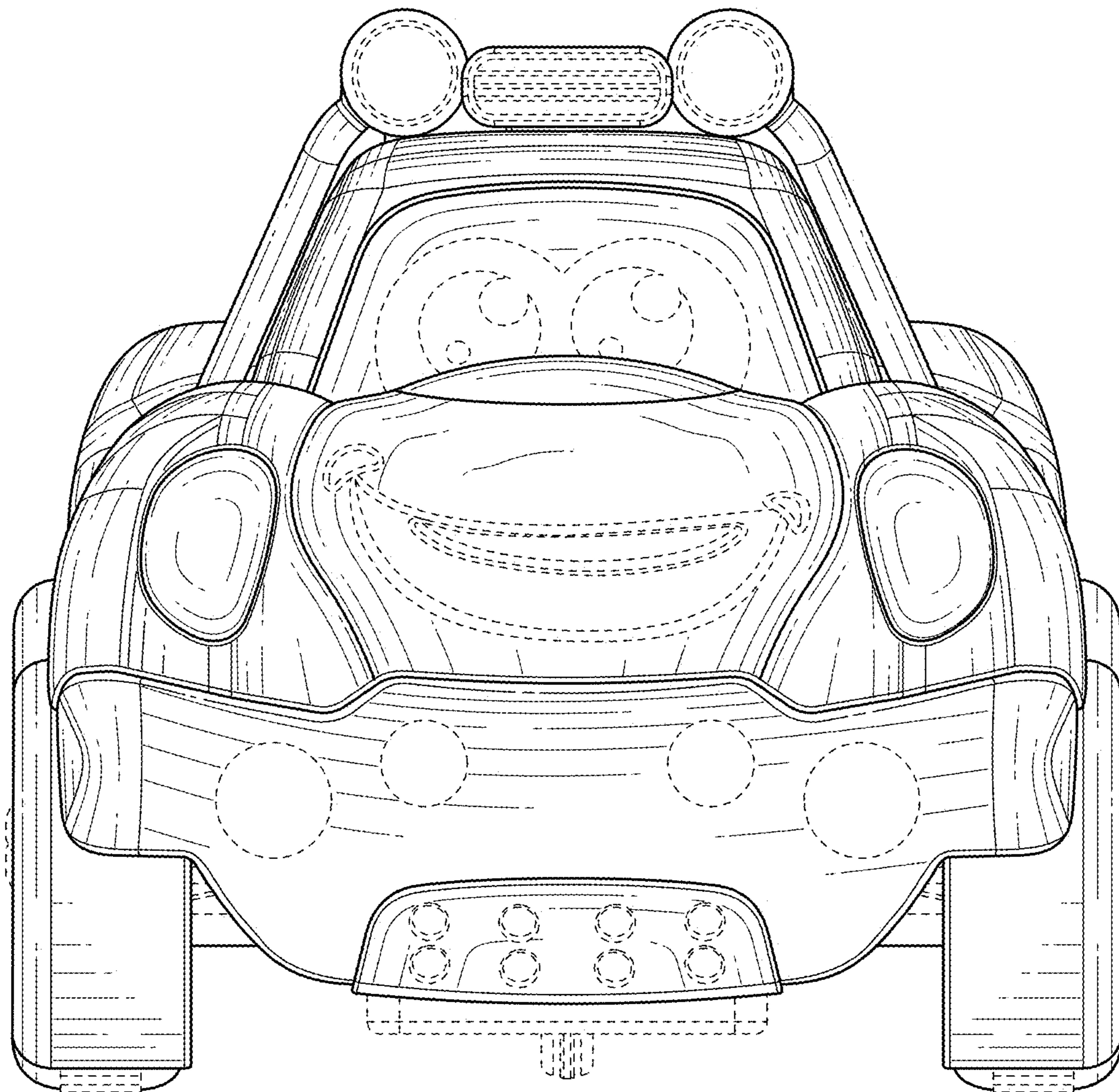


FIG. 1

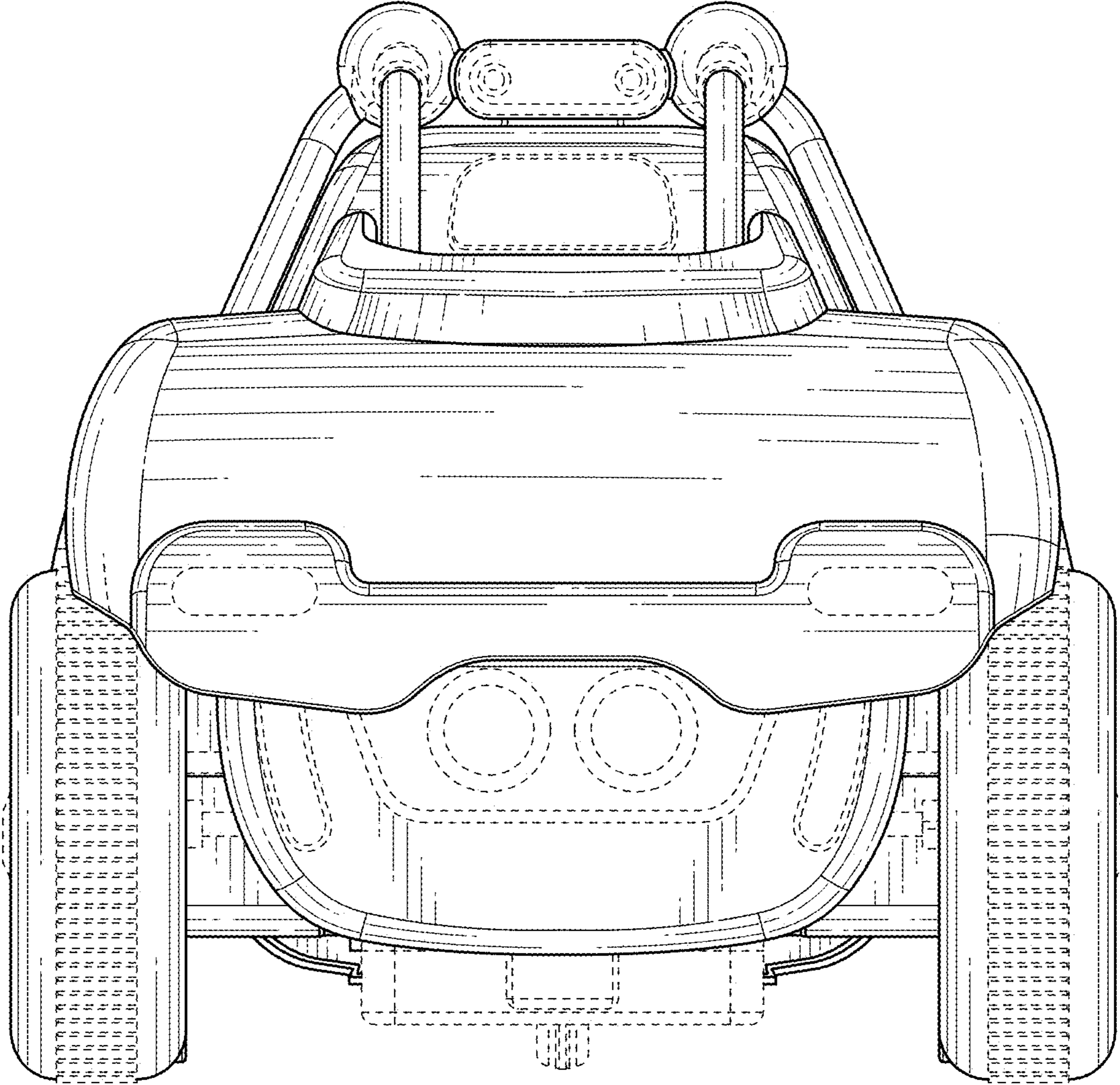


FIG. 2

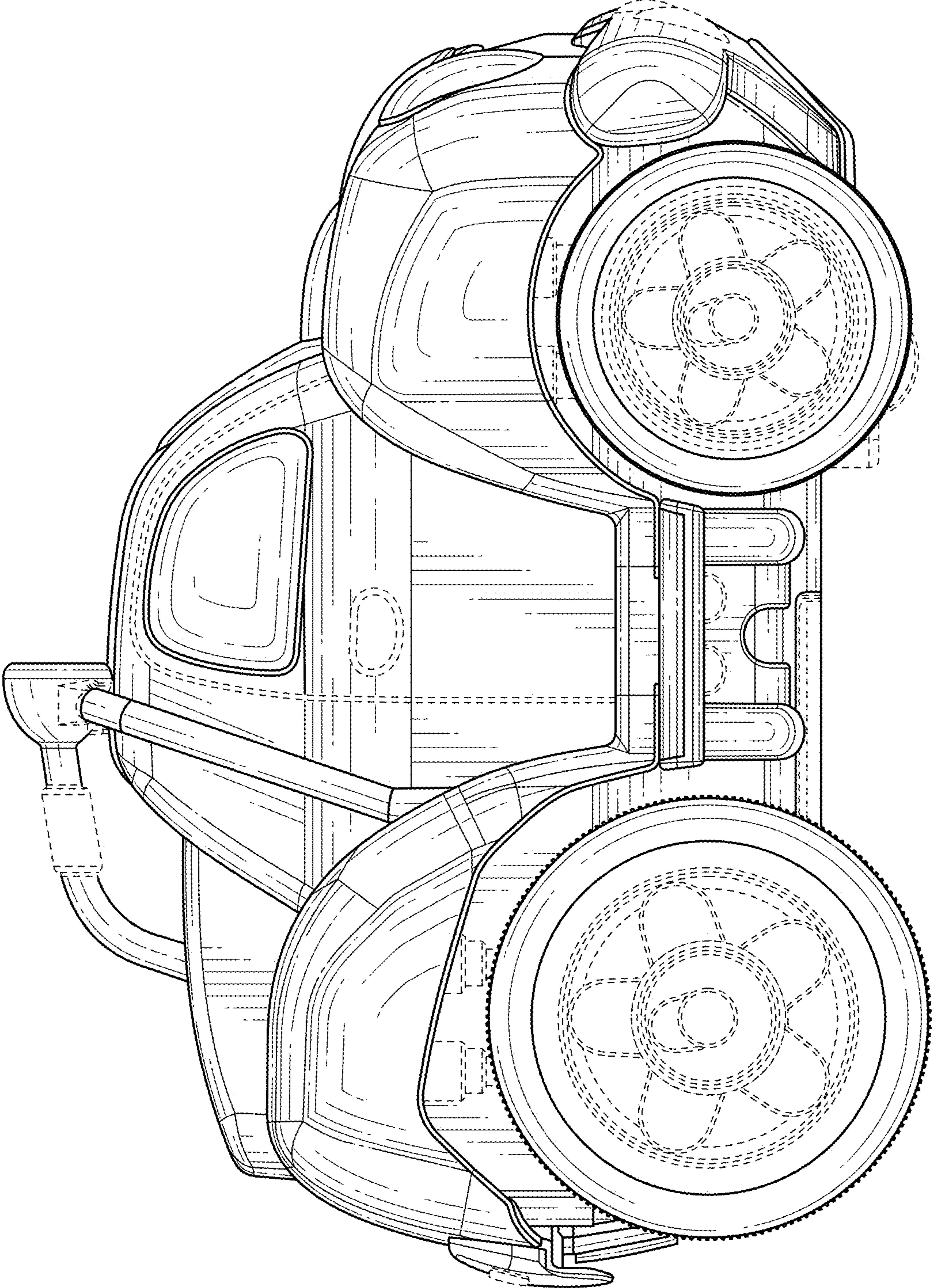


FIG. 3

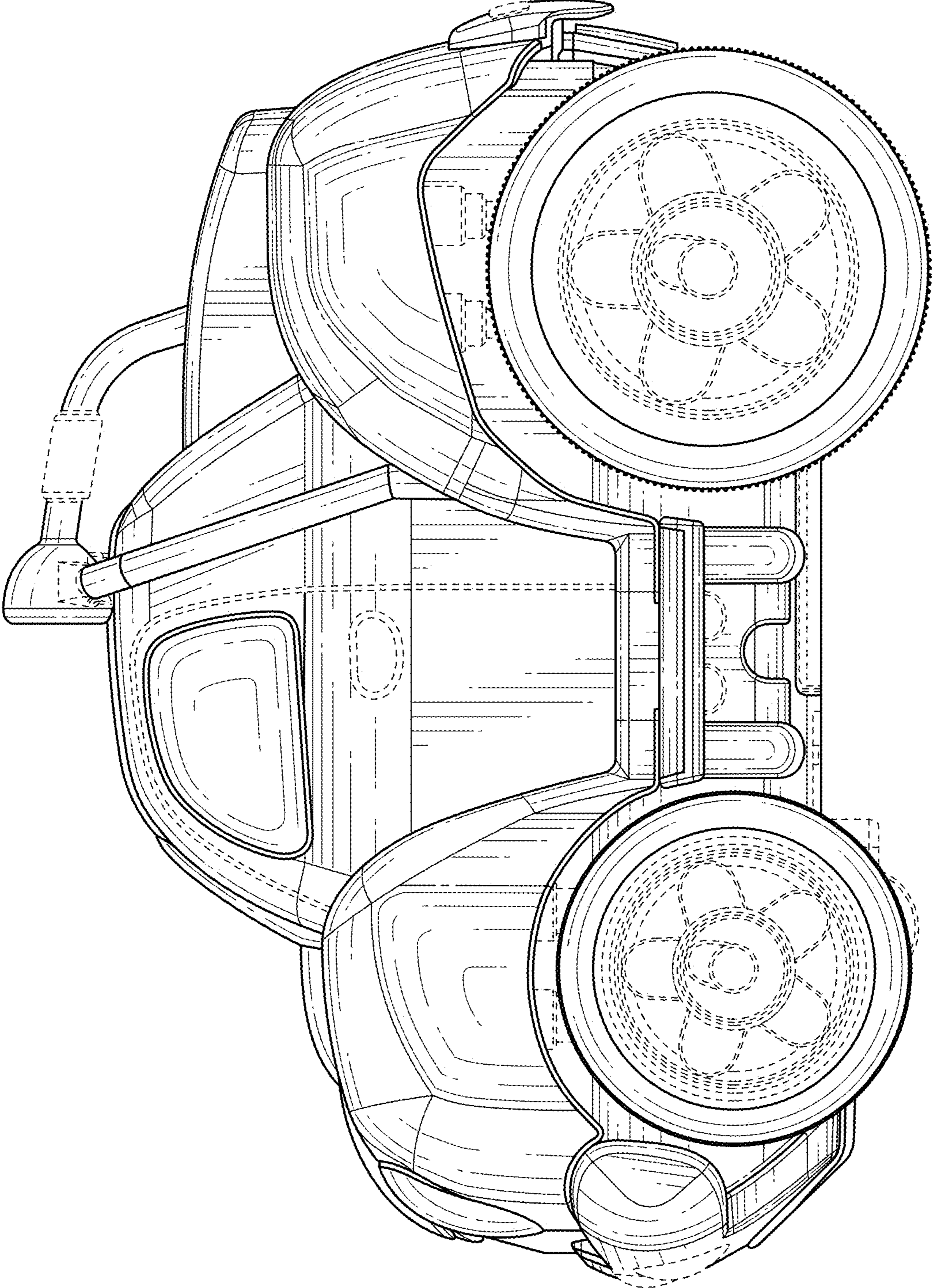


FIG. 4

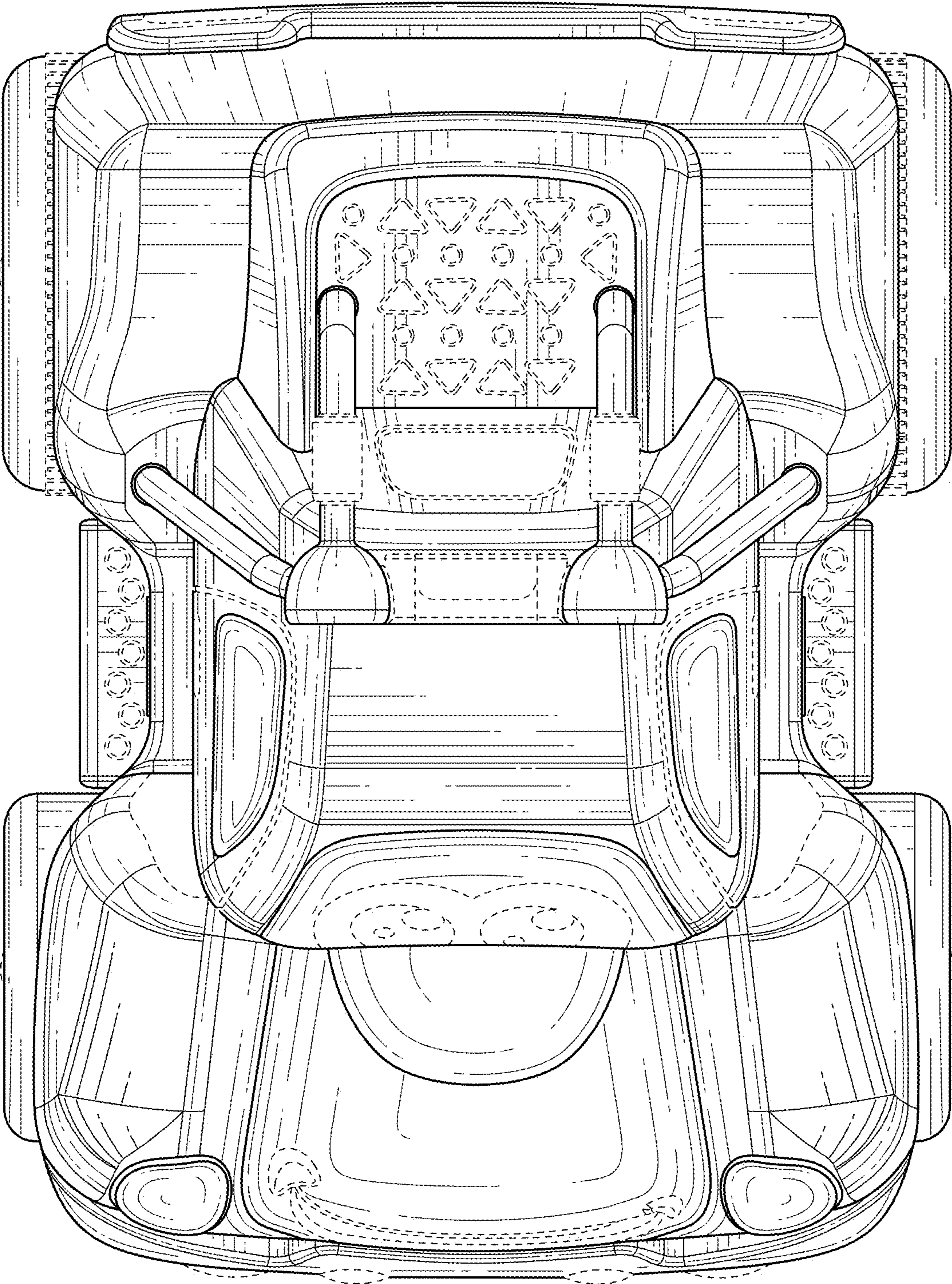


FIG. 5

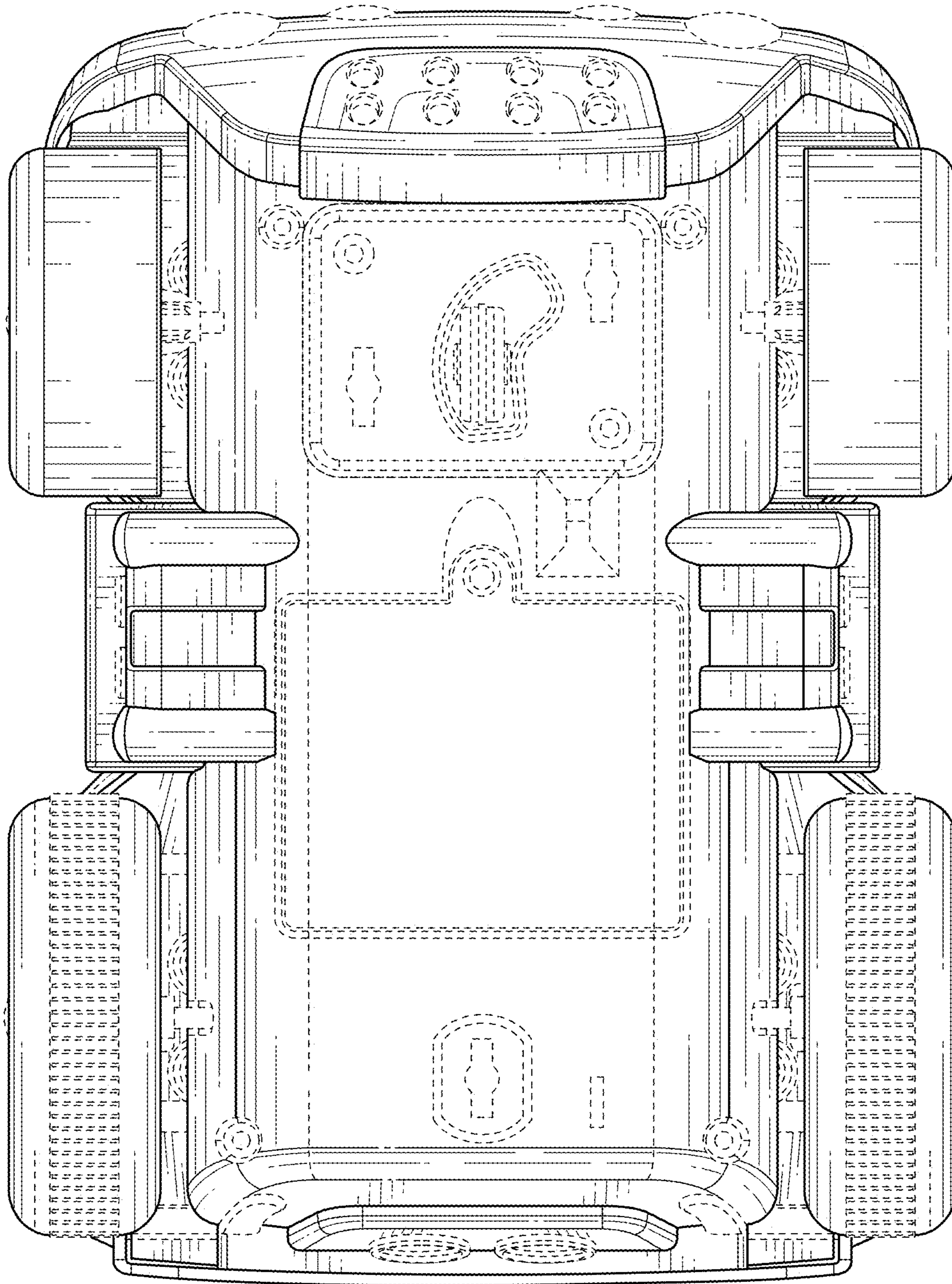


FIG. 6