



US00D951366S

(12) **United States Design Patent** (10) **Patent No.:** **US D951,366 S**
Licht (45) **Date of Patent:** **** *May 10, 2022**

(54) **TOY BUILDING ELEMENT**
(71) Applicant: **LEGO A/S**, Billund (DK)
(72) Inventor: **Peter de Fine Licht**, Billund (DK)
(73) Assignee: **LEGO A/S**, Billund (DK)
(*) Notice: This patent is subject to a terminal disclaimer.
(**) Term: **15 Years**
(21) Appl. No.: **29/727,006**
(22) Filed: **Mar. 6, 2020**

4,205,482 A 6/1980 Christiansen et al.
D263,324 S 3/1982 Orenstein
D276,830 S 12/1984 Petersson
4,509,929 A 4/1985 Zawitz
D281,440 S 11/1985 Petersson
4,819,402 A 4/1989 Schneider
4,874,342 A * 10/1989 Klitsner A63F 7/3622
446/168
D305,443 S * 1/1990 Klitsner D21/565
D311,938 S 11/1990 Andersen
D312,099 S 11/1990 Andersen
D315,181 S 3/1991 Meyer
D315,376 S 3/1991 Meyer

(Continued)

(30) **Foreign Application Priority Data**
Jan. 21, 2020 (EM) 007537964-0004
(51) **LOC (13) Cl.** **21-01**
(52) **U.S. Cl.**
USPC **D21/487**; D21/565
(58) **Field of Classification Search**
USPC D21/456, 484, 487, 494, 502, 503, 564,
D21/565
CPC A63F 7/0088; A63F 7/28; A63F 7/3622;
A63F 2007/282; A63F 2007/284; A63F
2007/288; A63F 2003/00391; A63H 18/02
See application file for complete search history.

(56) **References Cited**
U.S. PATENT DOCUMENTS
144,124 A 10/1873 Oberndorf, Jr.
1,337,664 A 4/1920 Lorenzen
D208,788 S 10/1967 Lohr et al.
3,900,984 A 8/1975 Garelick
3,924,348 A * 12/1975 Taylor A63H 33/088
446/89
4,028,844 A 6/1977 Dideriksen et al.
D253,711 S 12/1979 Christiansen et al.

OTHER PUBLICATIONS

LEGO Duplo Tube Straight (31452) 2002-2020 [online], [site visited Aug. 27, 2021]. Available from Internet: <URL: https://www.brickowl.com/catalog/lego-duplo-tube-straight-31452> (Year: 2002).*
(Continued)

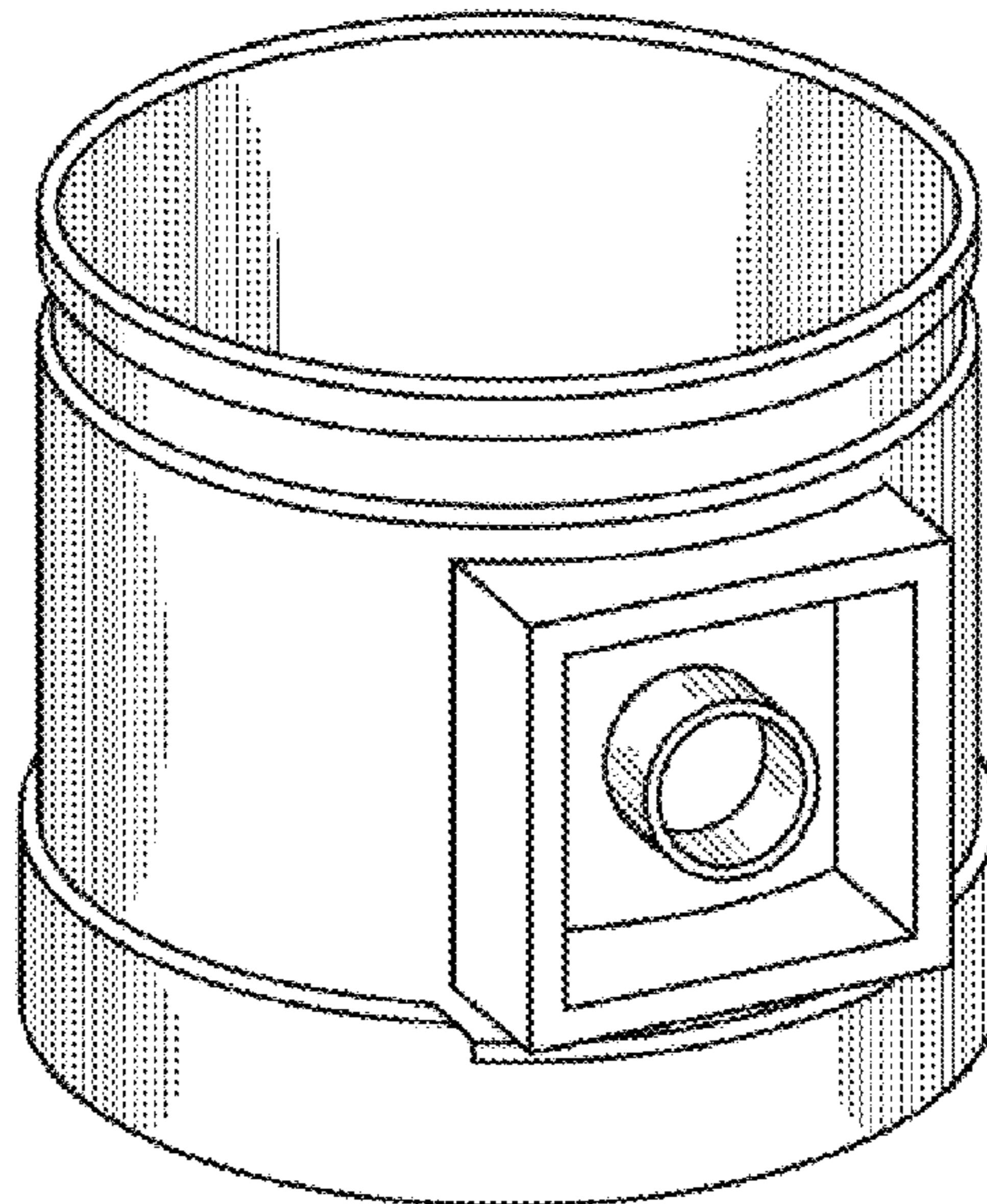
Primary Examiner — Cynthia M. Chin
(74) *Attorney, Agent, or Firm* — Day Pitney LLP;
Valeriya Svystun

(57) **CLAIM**
The ornamental design for a toy building element, as shown and described.

DESCRIPTION

FIG. 1 is a rear perspective view of the toy building element; FIG. 2 is a front elevational view thereof; FIG. 3 is a rear elevational view thereof; FIG. 4 is a left side elevational view thereof; FIG. 5 is a right side elevational view thereof; FIG. 6 is a top plan view thereof; FIG. 7 is a bottom plan view thereof; and, FIG. 8 is a front perspective view thereof.

1 Claim, 8 Drawing Sheets



(56)

References Cited

U.S. PATENT DOCUMENTS

5,007,876 A * 4/1991 Klitsner A63F 7/3622
446/168

D324,169 S 2/1992 Hebert, Sr.

5,110,315 A 5/1992 Zawitz

D334,416 S 3/1993 Zawitz

5,312,285 A * 5/1994 Rieber A63F 7/3622
273/109

D354,527 S 1/1995 Ryaa et al.

D373,152 S 8/1996 Thomasen

D373,153 S 8/1996 Madsen

5,545,070 A 8/1996 Liu

D394,467 S 5/1998 Nielsen

D394,681 S 5/1998 Pagel

D397,168 S 8/1998 Poissant

D397,742 S * 9/1998 Jensen D21/484

5,871,384 A 2/1999 Kichijo

D410,040 S 5/1999 Poulsen

D410,706 S 6/1999 Toft

5,919,072 A 7/1999 Pohlman

D422,034 S * 3/2000 Yamazaki D21/470

D422,652 S * 4/2000 Watanabe D21/564

6,231,345 B1 * 5/2001 Yamazaki A63F 9/06
434/259

6,273,778 B1 * 8/2001 Kyster A63H 33/042
446/168

D457,198 S * 5/2002 Yamazaki D21/456

D512,748 S 12/2005 Hageman

7,371,147 B2 5/2008 Tusacciu

D583,880 S 12/2008 Slater et al.

7,553,209 B1 6/2009 Sorensen

D597,150 S 7/2009 Oikawa et al.

D615,135 S 5/2010 Thorsen

D641,055 S 7/2011 Andersen

D672,410 S 12/2012 Dubreuil et al.

D672,411 S 12/2012 Dubreuil et al.

D678,432 S 3/2013 Dubreuil et al.

D682,367 S 5/2013 Pilgaard et al.

D689,567 S 9/2013 Pilgaard et al.

D689,957 S 9/2013 Jensen

D702,774 S 4/2014 Wizenberg et al.

D718,823 S * 12/2014 Cunningham D21/565

D731,595 S 6/2015 Jensen

D731,596 S 6/2015 Jensen

D739,477 S 9/2015 Simonds et al.

9,186,591 B2 11/2015 Nielsen

D749,175 S 2/2016 Vaughey

D753,242 S 4/2016 Jaensch

D760,328 S 6/2016 Croston et al.

D760,329 S 6/2016 Croston et al.

9,393,501 B2 7/2016 Sze

D762,787 S 8/2016 Barbiani et al.

D794,139 S 8/2017 Barbiani et al.

D799,607 S 10/2017 Pouliot et al.

D799,608 S 10/2017 Pouliot et al.

D799,609 S 10/2017 Sprague

D808,471 S 1/2018 Gutierrez et al.

D821,504 S 6/2018 Bilezikian et al.

D833,541 S 11/2018 Barwald et al.

D845,403 S 4/2019 Davies

D846,041 S 4/2019 Barbiani

D848,542 S 5/2019 Pestel

10,335,700 B2 * 7/2019 Wong A63H 29/22

D894,292 S 8/2020 Park et al.

D910,784 S 2/2021 Wang

D916,210 S 4/2021 Lin

D918,313 S * 5/2021 Wang D21/565

2006/0014468 A1 1/2006 Zawitz

2006/0154556 A1 * 7/2006 Tong A63H 33/065
446/122

2007/0026759 A1 2/2007 Flodin et al.

2007/0123137 A1 5/2007 Marzetta

2009/0047863 A1 2/2009 Capriola

2009/0197500 A1 * 8/2009 Song A63H 33/046
446/92

2012/0015583 A1 1/2012 Chen

2012/0071061 A1 3/2012 Smith et al.

2012/0210546 A1 8/2012 Jang et al.

2013/0072082 A1 3/2013 Wizenberg et al.

2013/0330999 A1 12/2013 Ryaa

2014/0051321 A1 2/2014 Kelly et al.

2014/0227936 A1 8/2014 Botterill et al.

2015/0104992 A1 4/2015 Jung

2015/0231488 A1 * 8/2015 Hedeem, Jr. A63F 9/26
273/276

2016/0317940 A1 11/2016 Jensen

2016/0332088 A1 11/2016 Rakhsha

2018/0161686 A1 6/2018 De Grasse

2018/0214786 A1 8/2018 Crouse et al.

2018/0229144 A1 8/2018 Rosen et al.

2019/0030445 A1 1/2019 Luo

2019/0160390 A1 5/2019 Croston et al.

2019/0358557 A1 11/2019 Semling

2021/0197096 A1 7/2021 Donaldson et al.

OTHER PUBLICATIONS

LEGO Ariel Minifigure, Year Released 2018 [online], [site visited Aug. 26, 2021]. Available from Internet: <https://www.brickowl.com/catalog/lego-ariel-minifigure-227880> (Year: 2018).

LEGO Blue Duplo Curved Elbow Pipe (31195) 1998-2016 [online], [site visited Aug. 27, 2021]. Available from the Internet: <https://www.brickowl.com/catalog/lego-blue-duplo-curved-elbow-pipe-31195> (Year: 1998).

LEGO Large Steering Wheel (2741) Available 1988-2020 [site visited Aug. 26, 2021]. Available from Internet: <https://www.brickowl.com/catalog/lego-large-steering-wheel-2741> (Year: 1988).

LEGO Rapunzel Minifigure, Year Released 2018 [online], [site visited Oct. 22, 2021]. Available from Internet: <https://www.brickowl.com/catalog/lego-rapunzel-minifigure-246321> (Year: 2018).

LEGO Small Steering Wheel (2819), Available 1993-2020 [online], [site visited Aug. 26, 2021]. Available from Internet: <https://www.brickowl.com/catalog/lego-small-steering-wheel-2819> (Year: 1993).

LEGO Tractor Chassis Steering Wheel Available 1972-1975 [site visited Aug. 26, 2021]. Available from Internet: <https://www.brickowl.com/catalog/lego-tractor-chassis-steering-wheel> (Year: 1972).

* cited by examiner

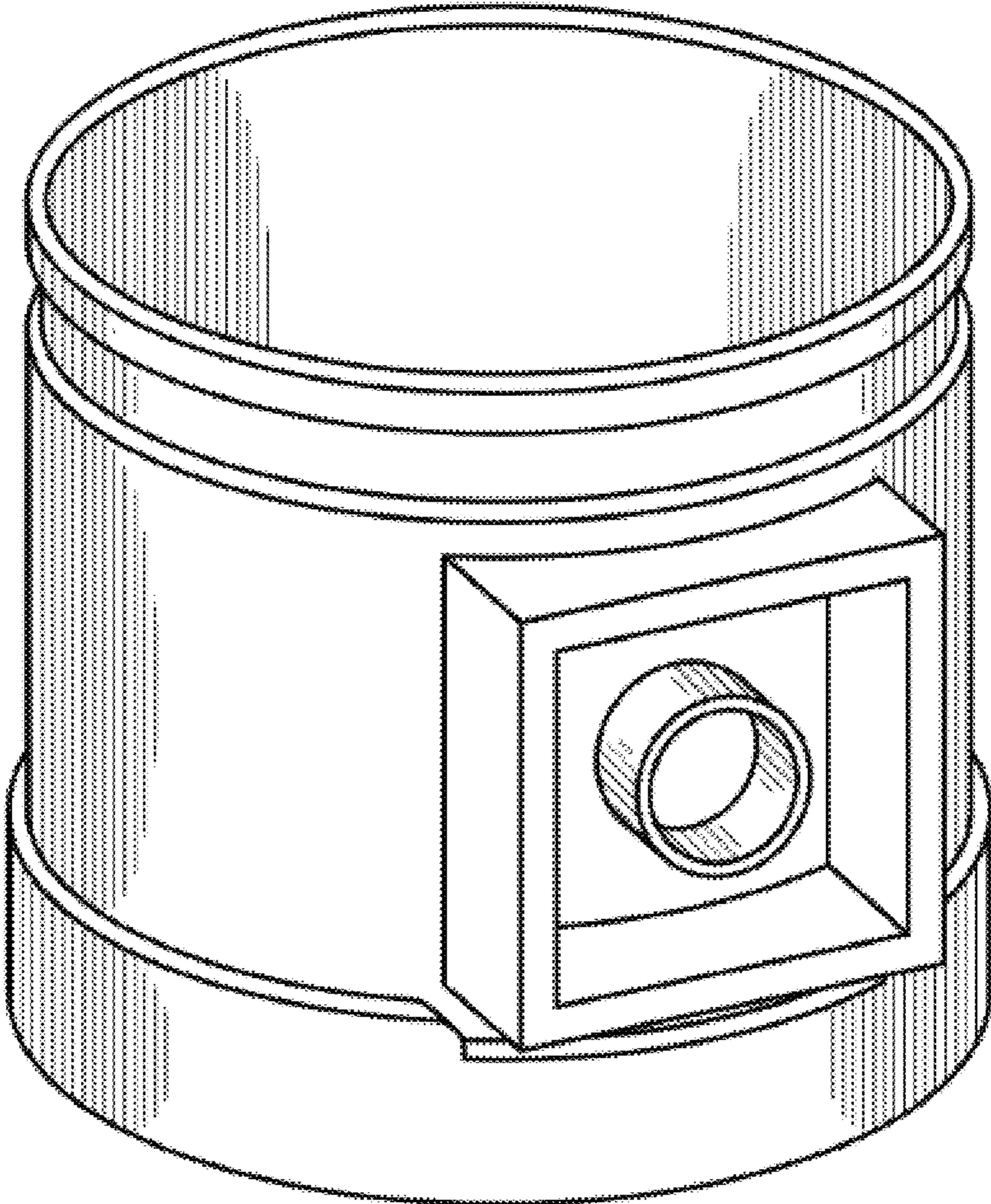


FIG. 1

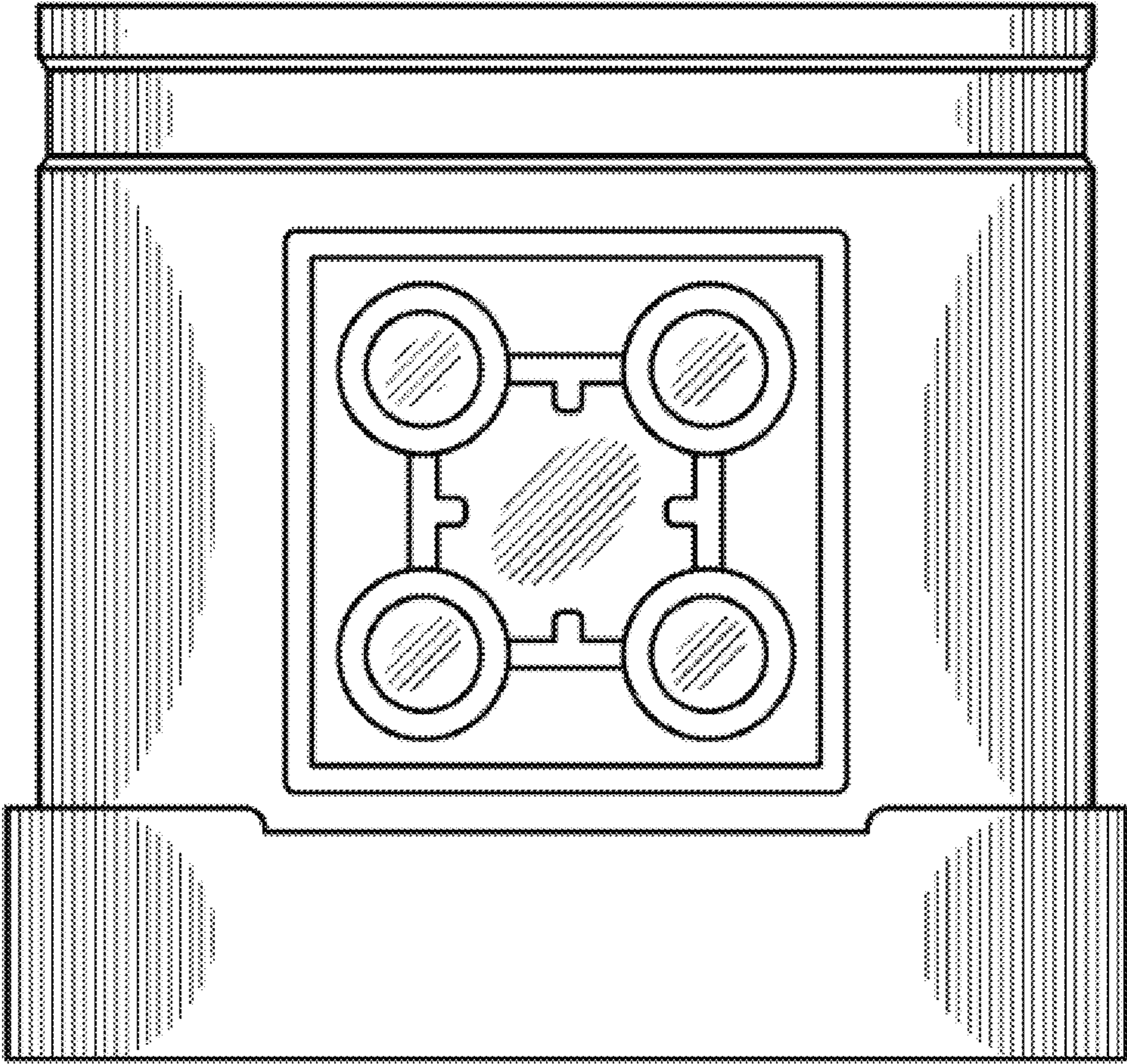


FIG. 2

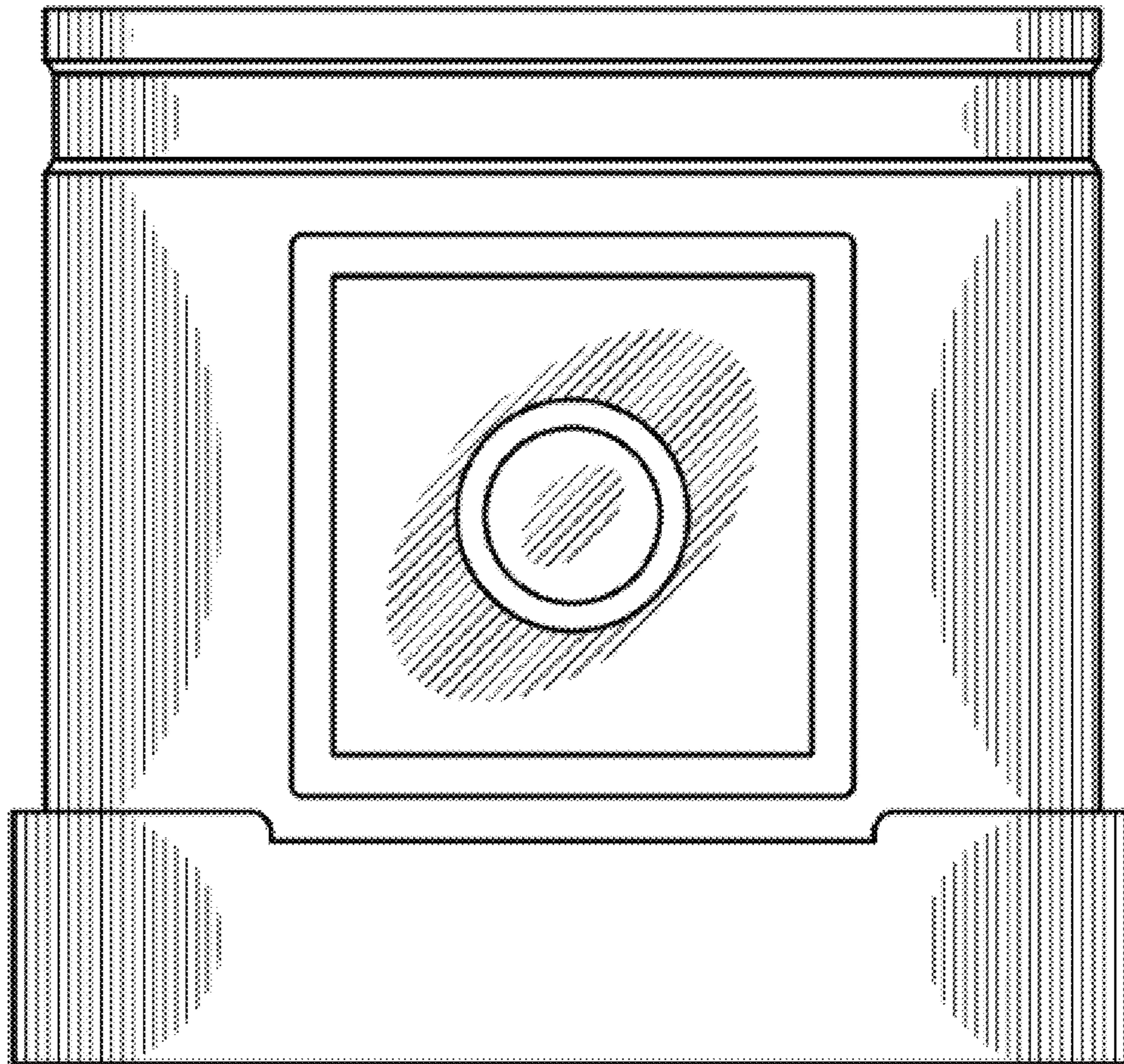


FIG. 3

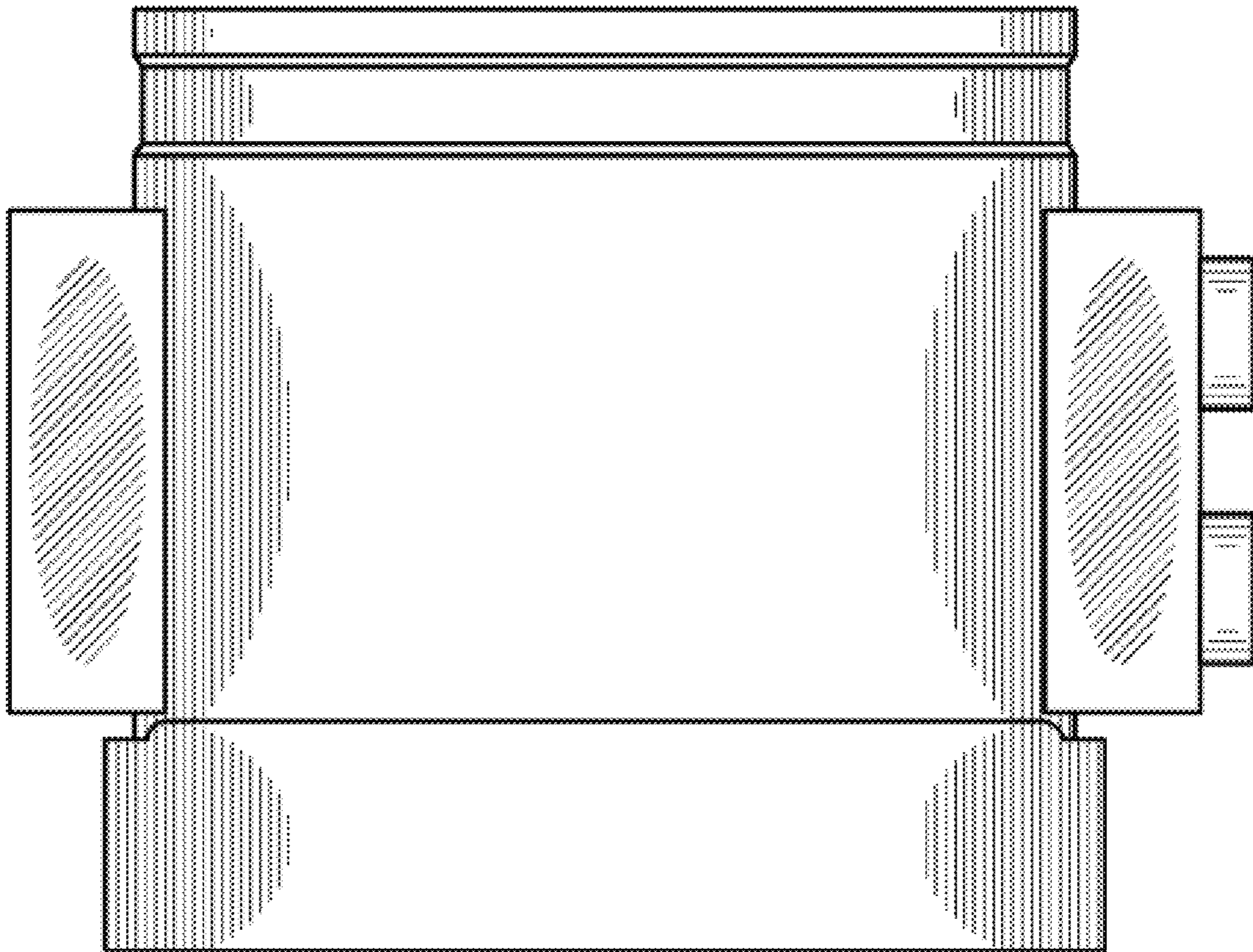


FIG. 4

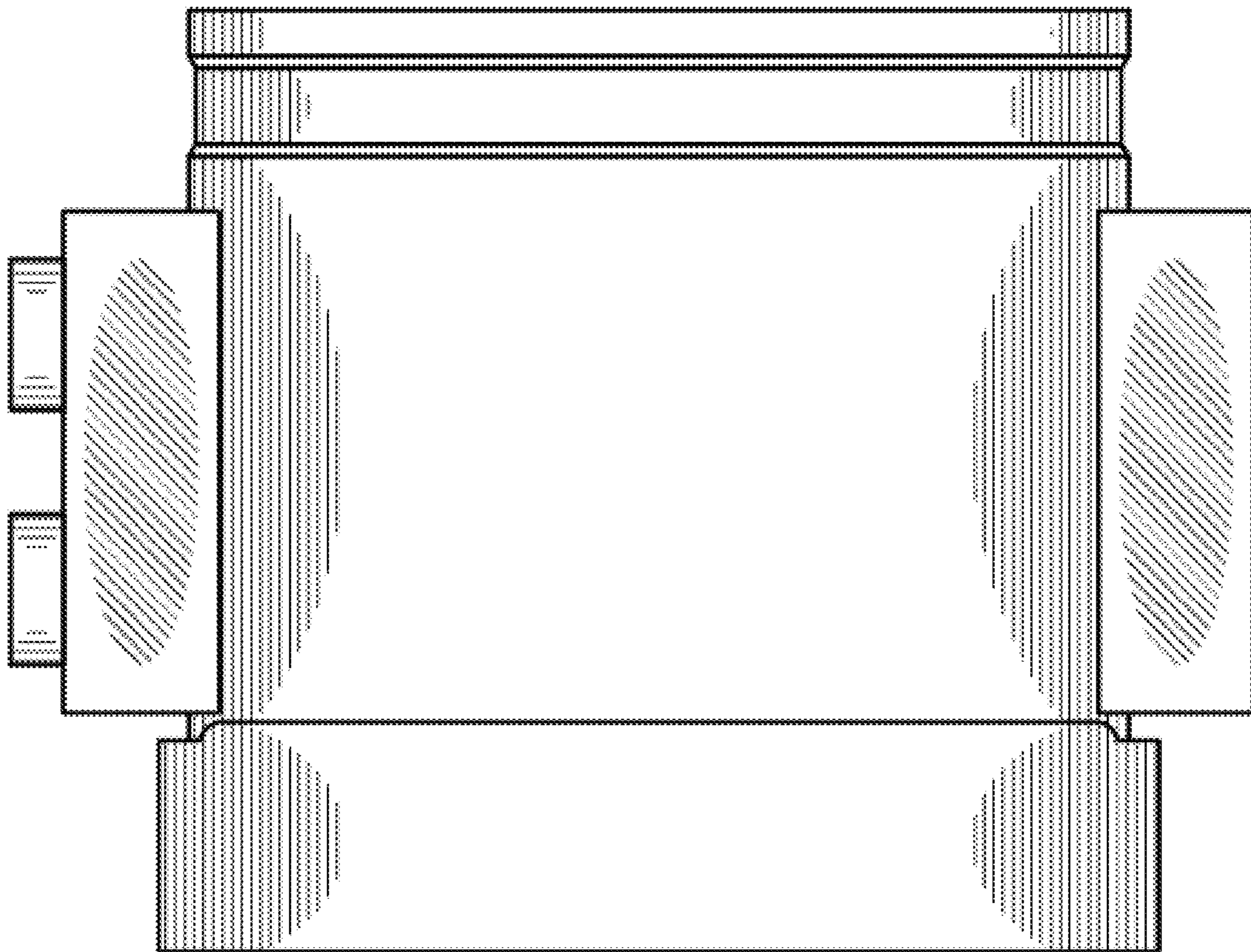


FIG. 5

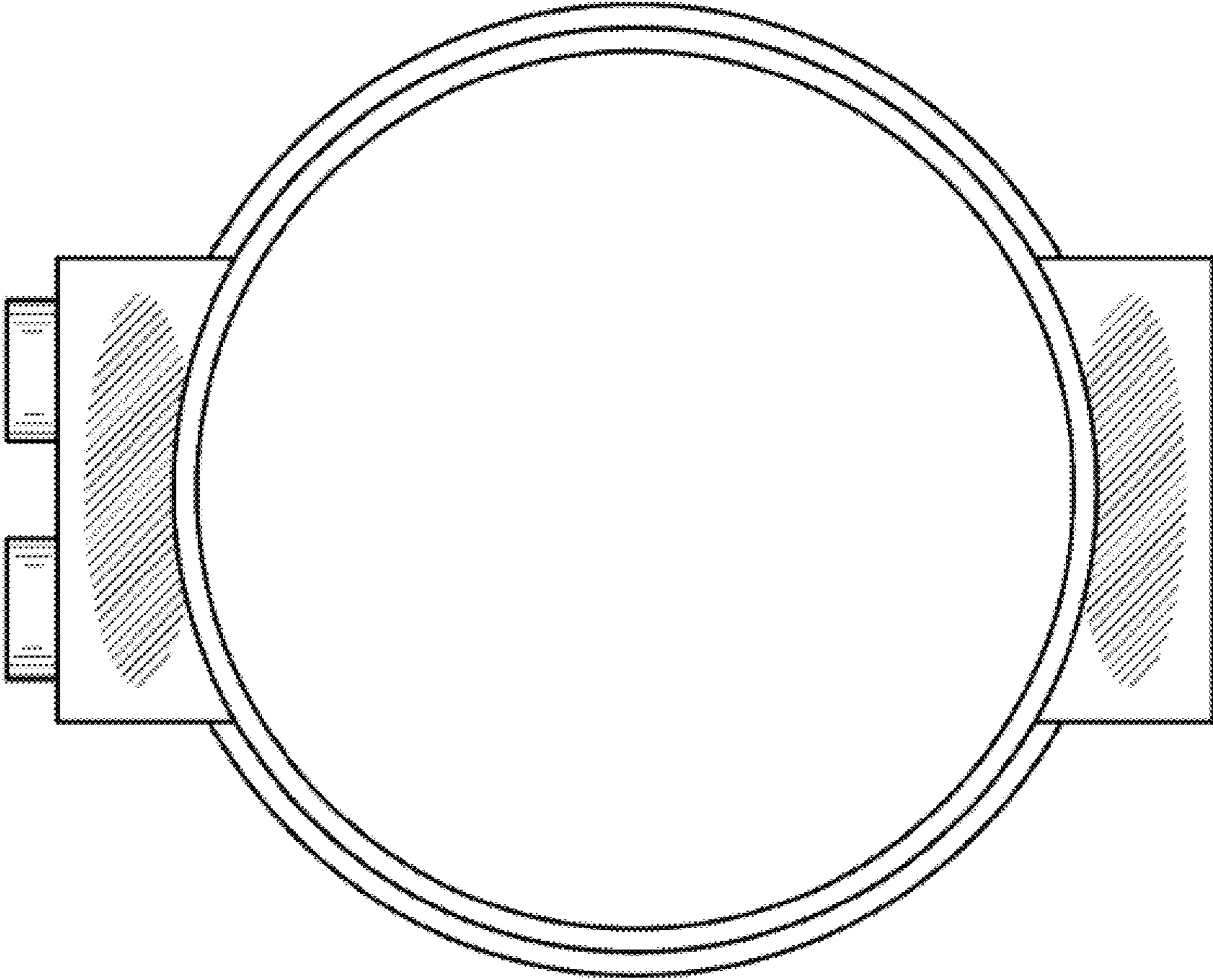


FIG. 6

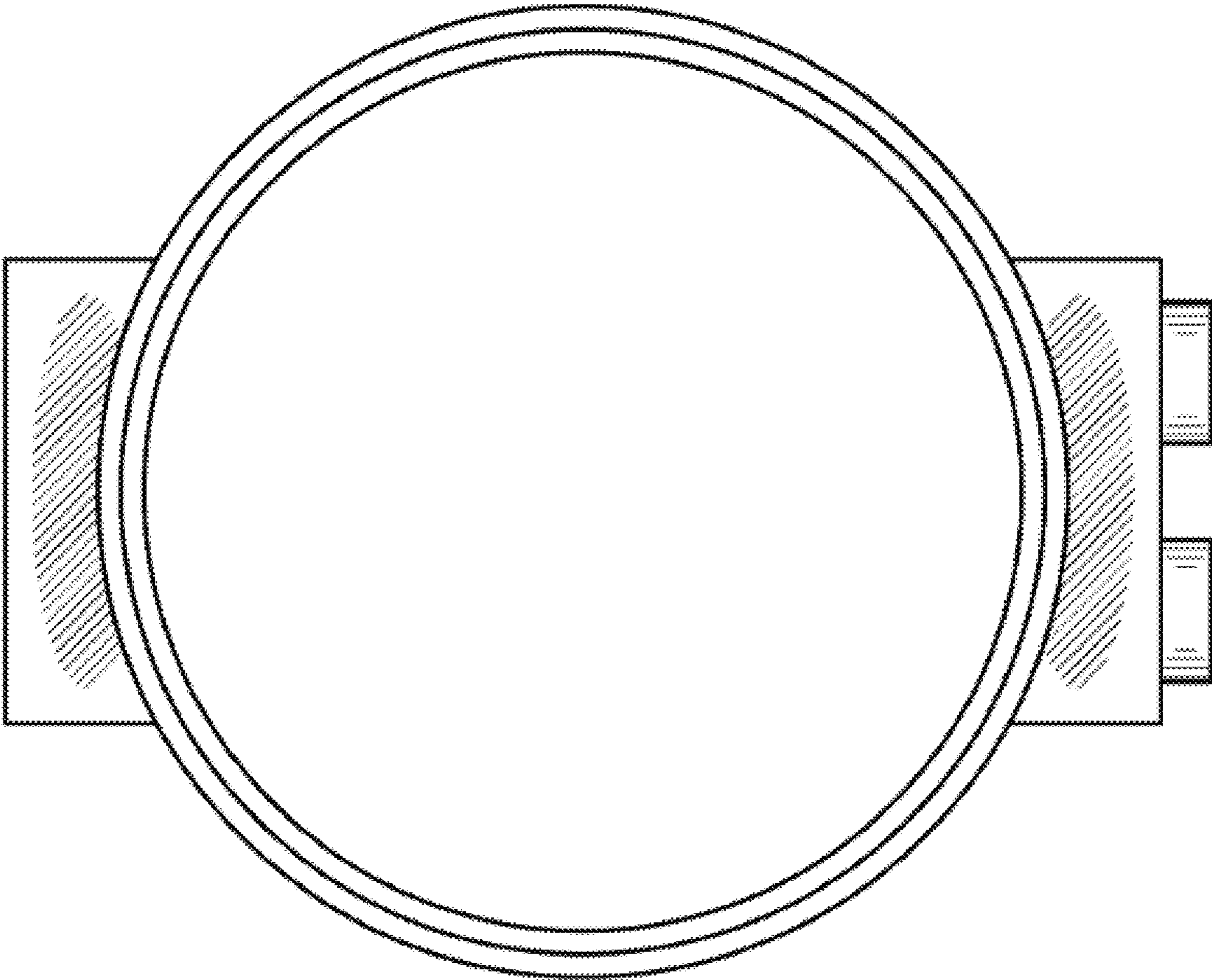


FIG. 7

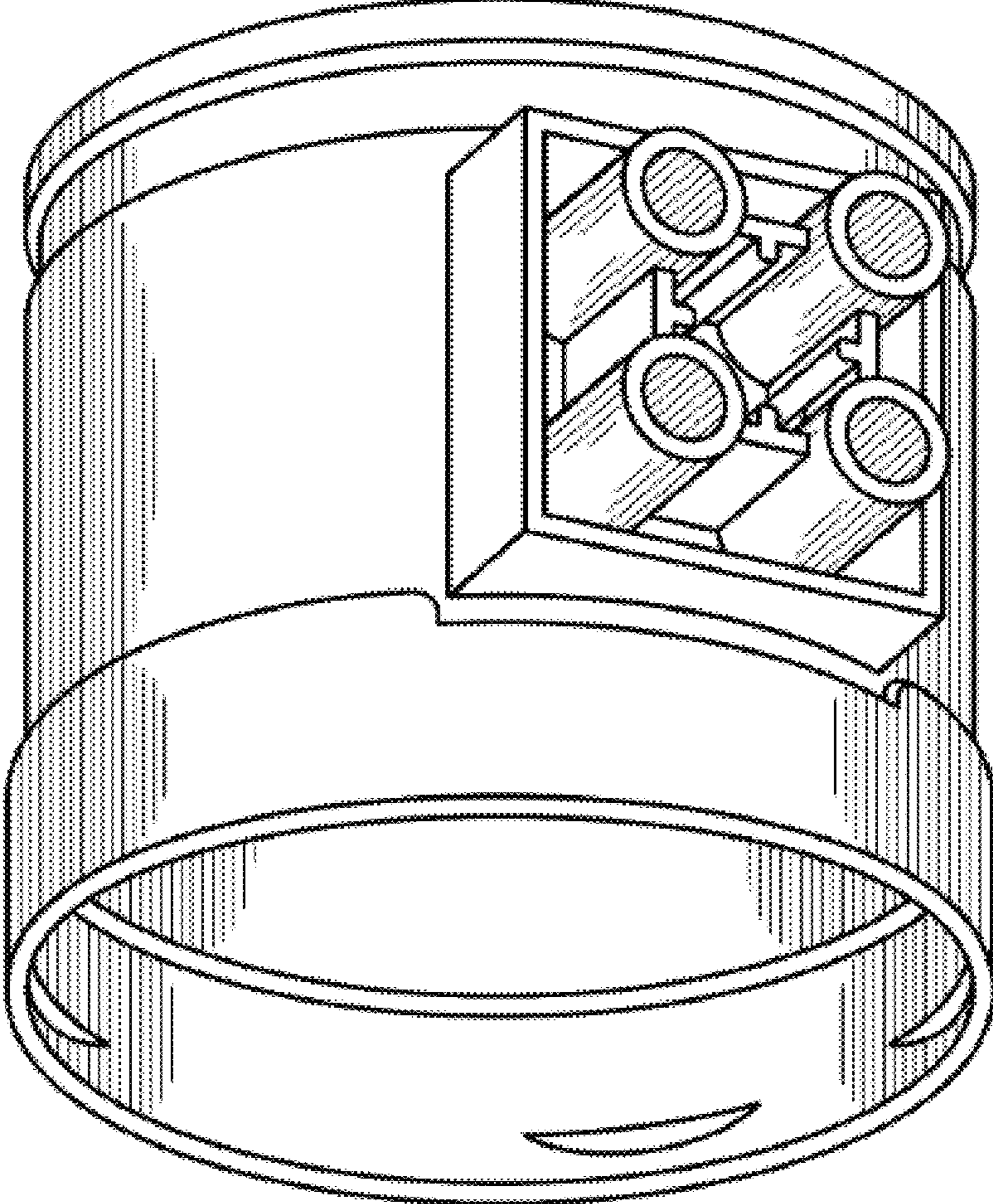


FIG. 8