



US00D951364S

(12) **United States Design Patent** (10) **Patent No.:** **US D951,364 S**
Licht (45) **Date of Patent:** **** *May 10, 2022**

(54) TOY BUILDING ELEMENT	D263,324 S	3/1982	Orenstein
(71) Applicant: LEGO A/S , Billund (DK)	D276,830 S	12/1984	Petersson
(72) Inventor: Peter de Fine Licht , Billund (DK)	4,509,929 A	4/1985	Zawitz
(73) Assignee: LEGO A/S , Billund (DK)	D281,440 S	11/1985	Petersson
(*) Notice: This patent is subject to a terminal disclaimer.	4,819,402 A	4/1989	Schneider
(**) Term: 15 Years	4,874,342 A *	10/1989	Klitsner A63F 7/3622 446/168
	D305,443 S *	1/1990	Klitsner D21/565
	D311,938 S	11/1990	Andersen
	D312,099 S	11/1990	Andersen
	D315,181 S	3/1991	Meyer
	D315,376 S	3/1991	Meyer
	5,007,876 A *	4/1991	Klitsner A63F 7/3622 446/168

(Continued)

(21) Appl. No.: **29/727,003**

(22) Filed: **Mar. 6, 2020**

(30) **Foreign Application Priority Data**

Jan. 21, 2020 (EM) 007537964-0002

(51) **LOC (13) Cl.** **21-01**

(52) **U.S. Cl.**
USPC **D21/487**; D21/565

(58) **Field of Classification Search**
USPC D21/456, 484, 487, 494, 502, 503, 564,
D21/565

CPC A63F 7/0088; A63F 7/28; A63F 7/3622;
A63F 2007/282; A63F 2007/284; A63F
2007/288; A63F 2003/00391; A63H 18/02
See application file for complete search history.

(56) **References Cited**

U.S. PATENT DOCUMENTS

144,124 A	10/1873	Oberndorf, Jr.
1,337,664 A	4/1920	Lorenzen
D208,788 S	10/1967	Lohr et al.
3,900,984 A	8/1975	Garellick
3,924,348 A *	12/1975	Taylor A63H 33/088 446/89
4,028,844 A	6/1977	Dideriksen et al.
D253,711 S	12/1979	Christiansen et al.
4,205,482 A	6/1980	Christiansen et al.

OTHER PUBLICATIONS

LEGO Blue Duplo Curved Elbow Pipe (31195) 1998-2016 [online], [site visited Aug. 27, 2021]. Available from Internet: <URL:https://www.brickowl.com/catalog/lego-blue-duplo-curved-elbow-pipe-31195> (Year: 1998).*

(Continued)

Primary Examiner — Cynthia M. Chin
(74) *Attorney, Agent, or Firm* — Day Pitney LLP;
Valeriya Svystun

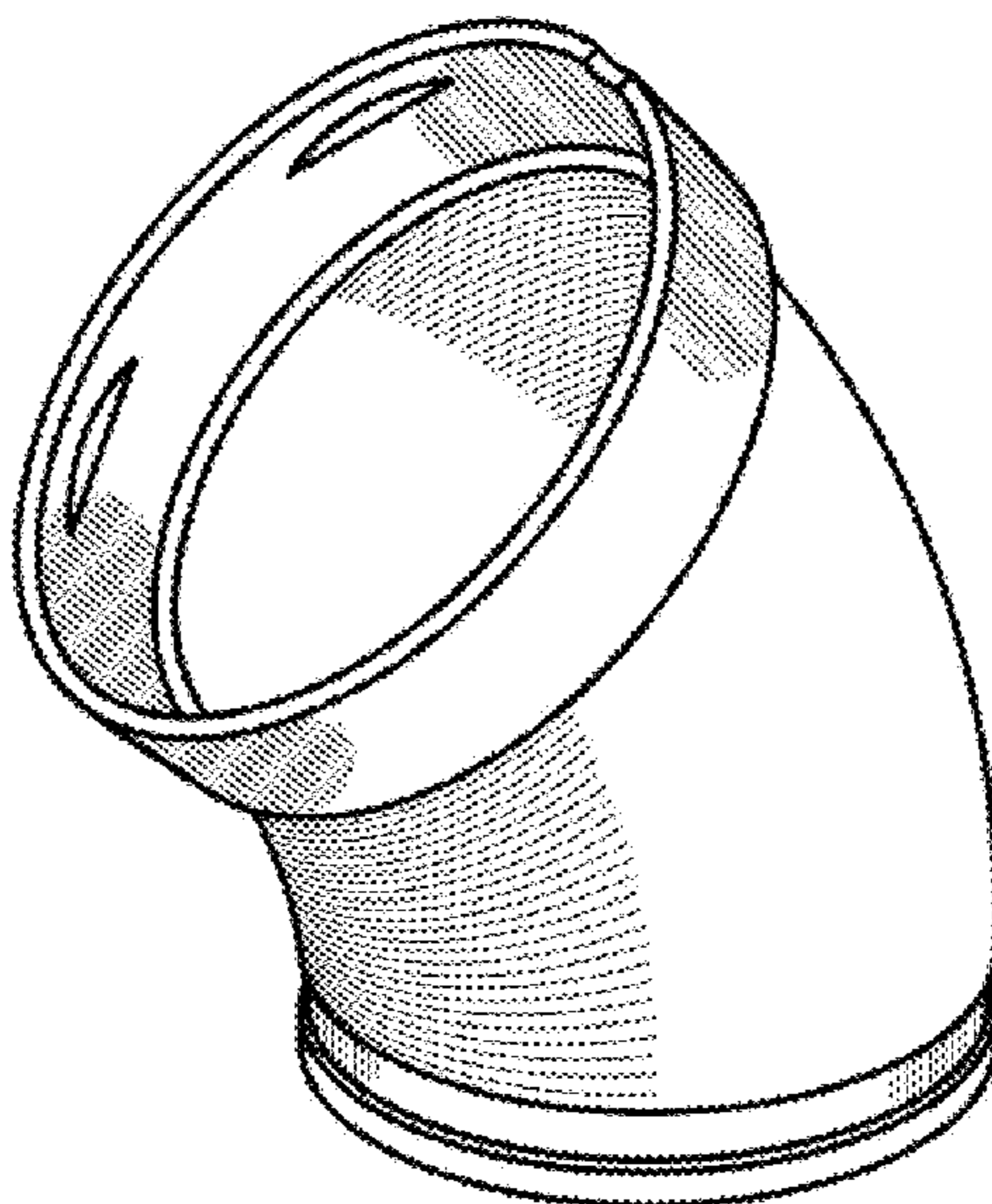
(57) **CLAIM**

The ornamental design for a toy building element, as shown and described.

DESCRIPTION

FIG. 1 is a side perspective view of the toy building element; FIG. 2 is a top perspective view thereof; FIG. 3 is a bottom perspective view thereof; FIG. 4 is a left side elevational view thereof; FIG. 5 is a right side elevational view thereof; FIG. 6 is front elevational view thereof; and, FIG. 7 is a rear elevational view thereof.

1 Claim, 7 Drawing Sheets



(56)

References Cited

U.S. PATENT DOCUMENTS

D324,169 S 2/1992 Hebert, Sr.
 5,110,315 A 5/1992 Zawitz
 D334,416 S 3/1993 Zawitz
 5,312,285 A * 5/1994 Rieber A63F 7/3622
 273/109
 D354,527 S 1/1995 Ryaa et al.
 D373,152 S 8/1996 Thomasen
 D373,153 S 8/1996 Madsen
 5,545,070 A 8/1996 Liu
 D394,467 S 5/1998 Nielsen
 D394,681 S 5/1998 Pagel
 D397,168 S 8/1998 Poissant
 D397,742 S * 9/1998 Jensen D21/484
 5,871,384 A 2/1999 Kichijo
 D410,040 S 5/1999 Poulsen
 D410,706 S 6/1999 Toft
 5,919,072 A 7/1999 Pohlman
 D422,034 S * 3/2000 Yamazaki D21/470
 D422,652 S * 4/2000 Watanabe D21/564
 6,231,345 B1 * 5/2001 Yamazaki A63F 9/06
 434/259
 6,273,778 B1 * 8/2001 Kyster A63H 33/042
 446/168
 D457,198 S * 5/2002 Yamazaki D21/456
 D512,748 S 12/2005 Hageman
 7,371,147 B2 5/2008 Tusacciu
 D583,880 S 12/2008 Slater et al.
 7,553,209 B1 6/2009 Sorensen
 D597,150 S 7/2009 Oikawa et al.
 D615,135 S 5/2010 Thorsen
 D641,055 S 7/2011 Andersen
 D672,410 S 12/2012 Dubreuil et al.
 D672,411 S 12/2012 Dubreuil et al.
 D678,432 S 3/2013 Dubreuil et al.
 D682,367 S 5/2013 Pilgaard et al.
 D689,567 S 9/2013 Pilgaard et al.
 D689,957 S 9/2013 Jensen
 D702,774 S 4/2014 Wizenberg et al.
 D718,823 S * 12/2014 Cunningham D21/565
 D731,595 S 6/2015 Jensen
 D731,596 S 6/2015 Jensen
 D739,477 S 9/2015 Simonds et al.
 9,186,591 B2 11/2015 Nielsen
 D749,175 S 2/2016 Vaughey
 D753,242 S 4/2016 Jaensch
 D760,328 S 6/2016 Croston et al.
 D760,329 S 6/2016 Croston et al.
 9,393,501 B2 7/2016 Sze
 D762,787 S 8/2016 Barbiani et al.
 D794,139 S 8/2017 Barbiani et al.
 D799,607 S 10/2017 Pouliot et al.
 D799,608 S 10/2017 Pouliot et al.
 D799,609 S 10/2017 Sprague
 D808,471 S 1/2018 Gutierrez et al.
 D821,504 S 6/2018 Bilezikian et al.
 D833,541 S 11/2018 Barwald et al.

D845,403 S 4/2019 Davies
 D846,041 S 4/2019 Barbiani
 D848,542 S 5/2019 Pestel
 10,335,700 B2 * 7/2019 Wong A63H 29/22
 D894,292 S 8/2020 Park et al.
 D910,784 S 2/2021 Wang
 D916,210 S 4/2021 Lin
 D918,313 S * 5/2021 Wang D21/565
 2006/0014468 A1 1/2006 Zawitz
 2006/0154556 A1 * 7/2006 Tong A63H 33/065
 446/122
 2007/0026759 A1 2/2007 Flodin et al.
 2007/0123137 A1 5/2007 Marzetta
 2009/0047863 A1 2/2009 Capriola
 2009/0197500 A1 * 8/2009 Song A63H 33/046
 446/92
 2012/0015583 A1 1/2012 Chen
 2012/0071061 A1 3/2012 Smith et al.
 2012/0210546 A1 8/2012 Jang et al.
 2013/0072082 A1 3/2013 Wizenberg et al.
 2013/0330999 A1 12/2013 Ryaa
 2014/0051321 A1 2/2014 Kelly et al.
 2014/0227936 A1 8/2014 Botterill et al.
 2015/0104992 A1 4/2015 Jung
 2015/0231488 A1 * 8/2015 Hedeon, Jr. A63F 9/26
 273/276
 2016/0317940 A1 11/2016 Jensen
 2016/0332088 A1 11/2016 Rakhsha
 2018/0161686 A1 6/2018 De Grasse
 2018/0214786 A1 8/2018 Crouse et al.
 2018/0229144 A1 8/2018 Rosen et al.
 2019/0030445 A1 1/2019 Luo
 2019/0160390 A1 5/2019 Croston et al.
 2019/0358557 A1 11/2019 Semling
 2021/0197096 A1 7/2021 Donaldson et al.

OTHER PUBLICATIONS

LEGO Ariel Minifigure, Year Released 2018 [online], [site visited Aug. 26, 2021]. Available from Internet: <https://www.brickowl.com/catalog/lego-ariel-minifigure-227880> (Year: 2018).
 LEGO Duplo Tube Straight (31452)2002-2020 [online], [site visited Aug. 27, 2021]. Available from the Internet: <https://www.brickowl.com/catalog/lego-duplo-tube-straight-31452> (Year: 2002).
 LEGO Large Steering Wheel (2741) Available 1988-2020 [site visited Aug. 26, 2021]. Available from Internet: <https://www.brickowl.com/catalog/lego-large-steering-wheel-2741> (Year: 1988).
 LEGO Rapunzel Minifigure, Year Released 2018 [online], [site visited Oct. 22, 2021]. Available from Internet: <https://www.brickowl.com/catalog/lego-rapunzel-minifigure-246321> (Year: 2018).
 LEGO Small Steering Wheel (2819), Available 1993-2020 [online], [site visited Aug. 26, 2021]. Available from Internet: <https://www.brickowl.com/catalog/lego-small-steering-wheel-2819> (Year: 1993).
 LEGO Tractor Chassis Steering Wheel Available 1972-1975 [site visited Aug. 26, 2021]. Available from Internet: <https://www.brickowl.com/catalog/lego-tractor-chassis-steering-wheel> (Year: 1972).

* cited by examiner

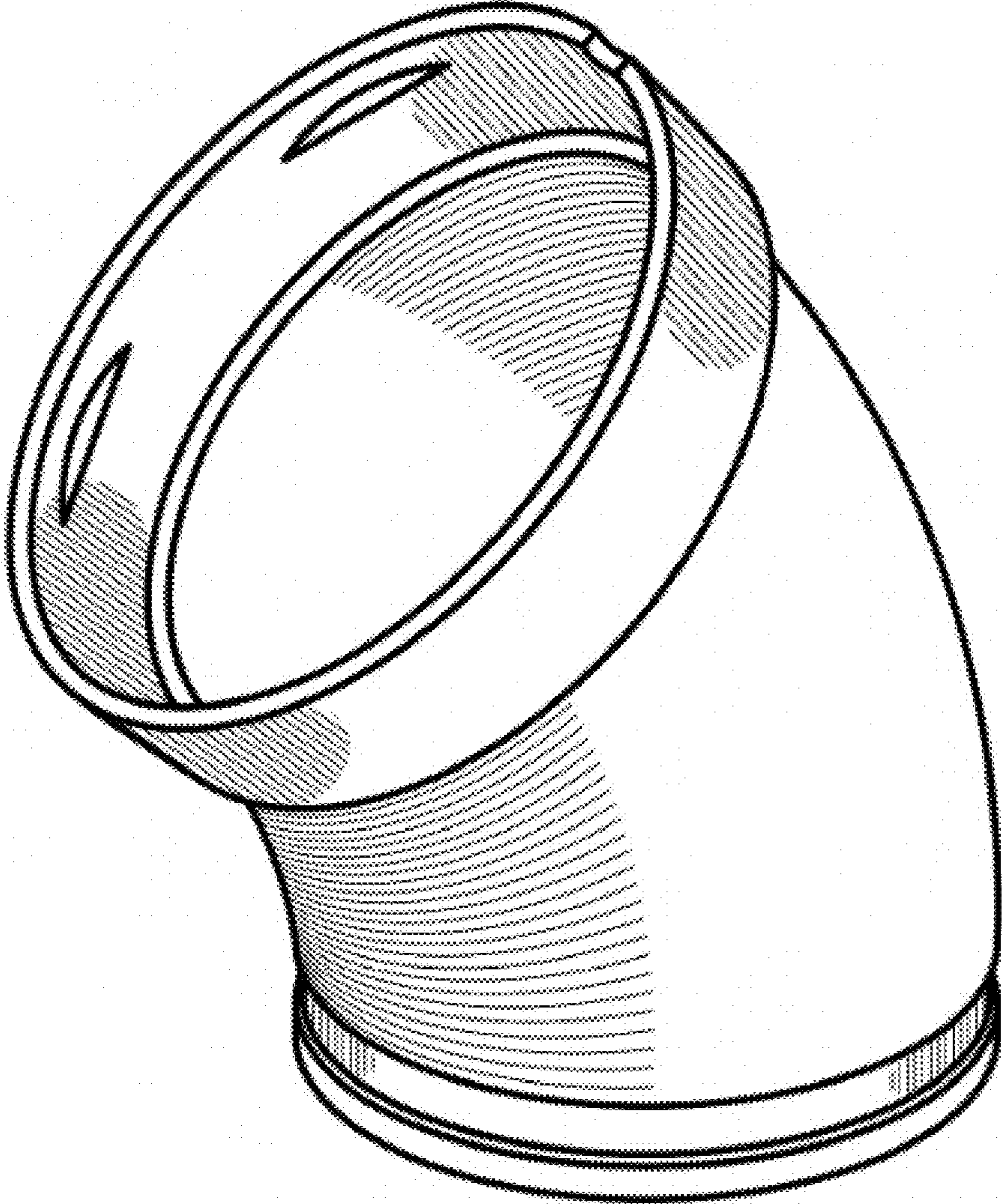


FIG. 1

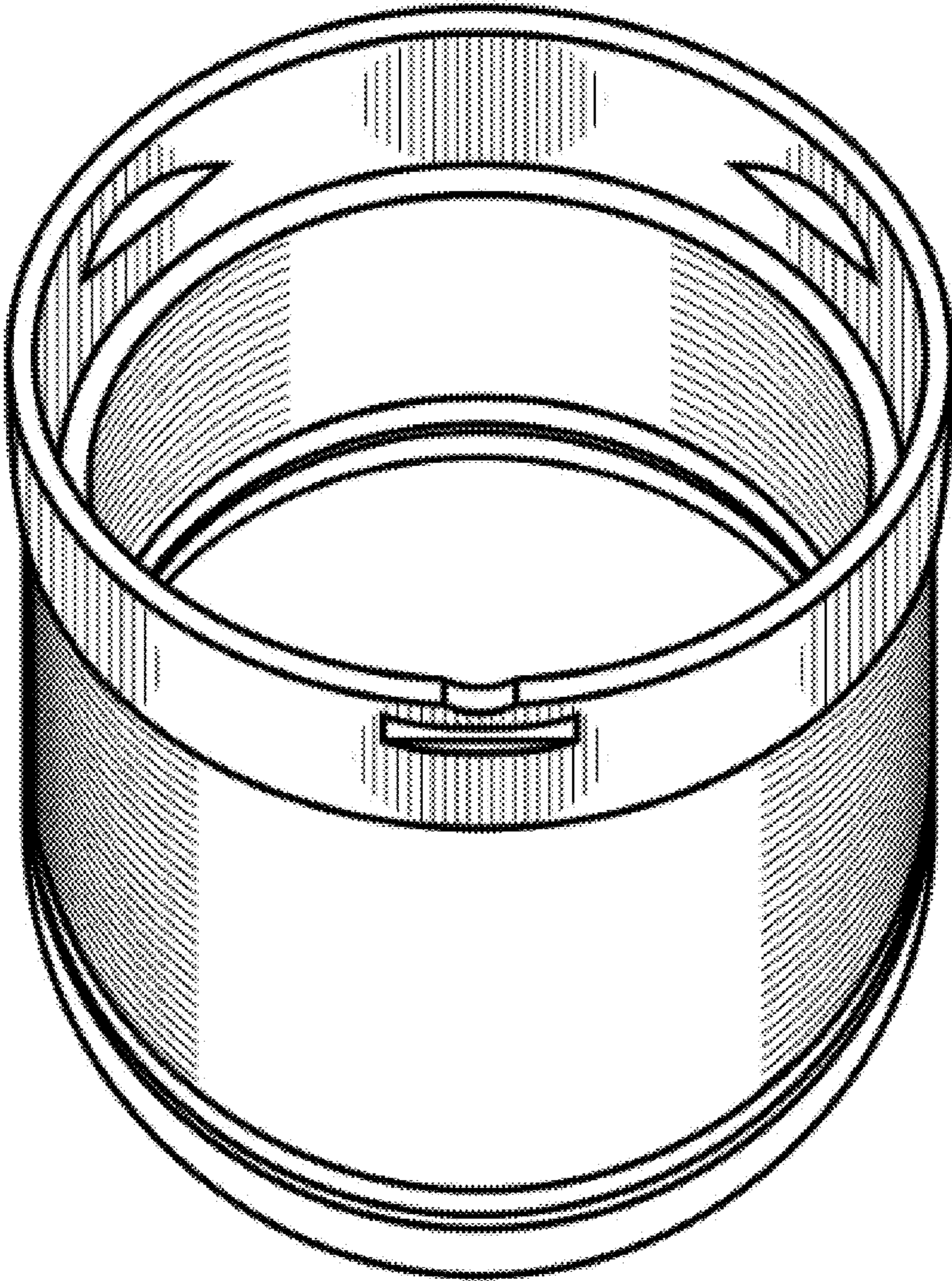


FIG. 2

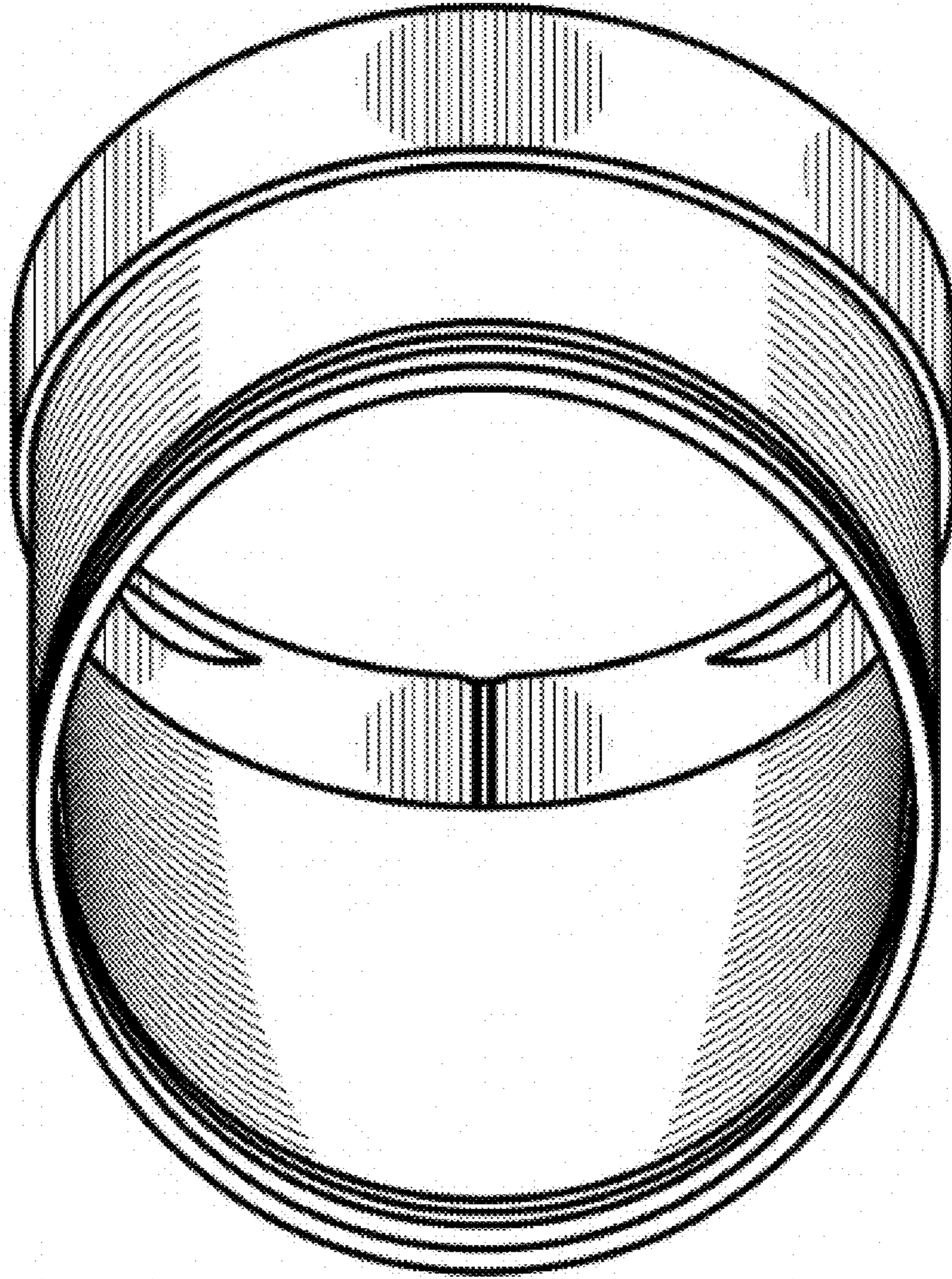


FIG. 3

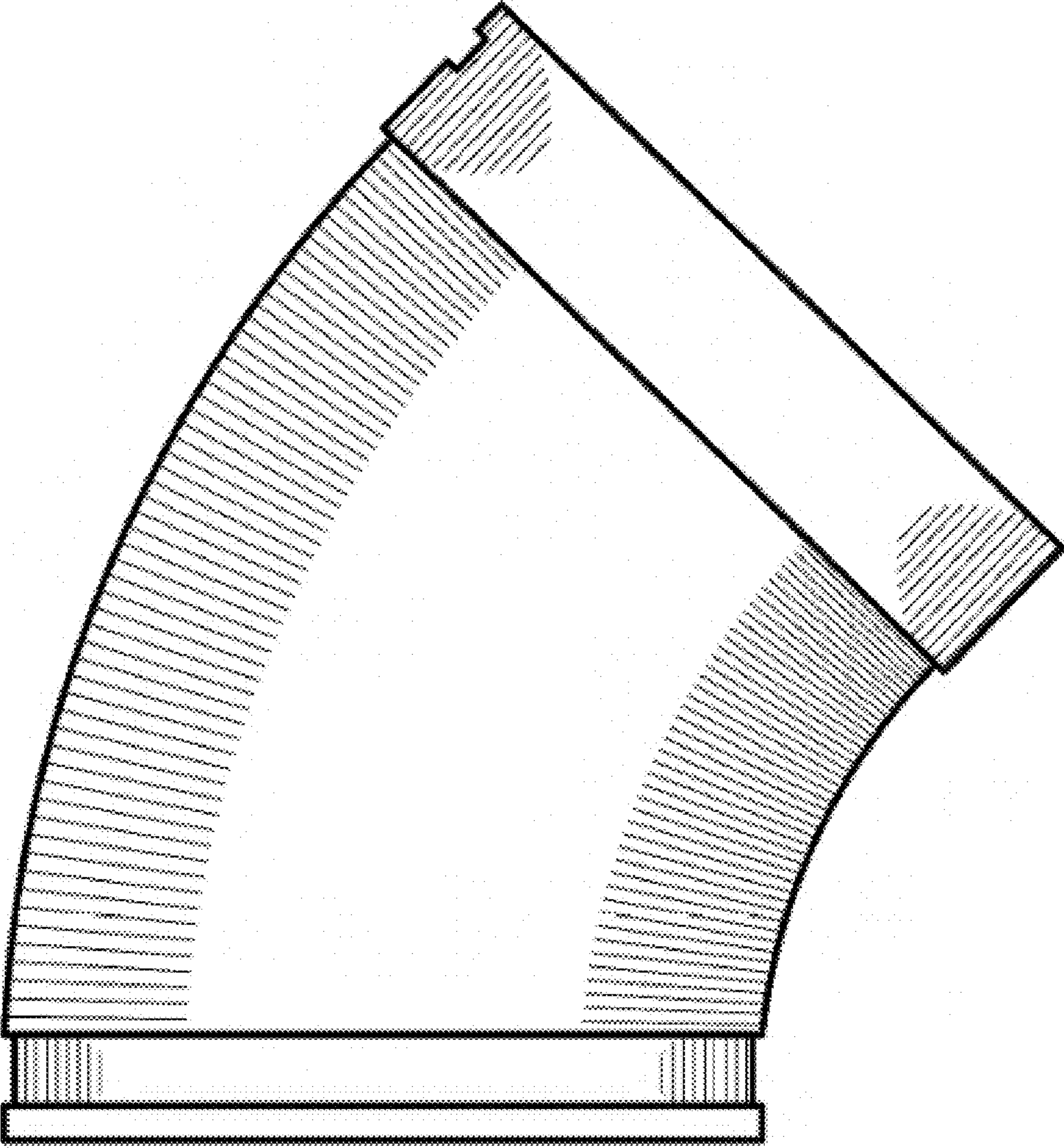


FIG. 4

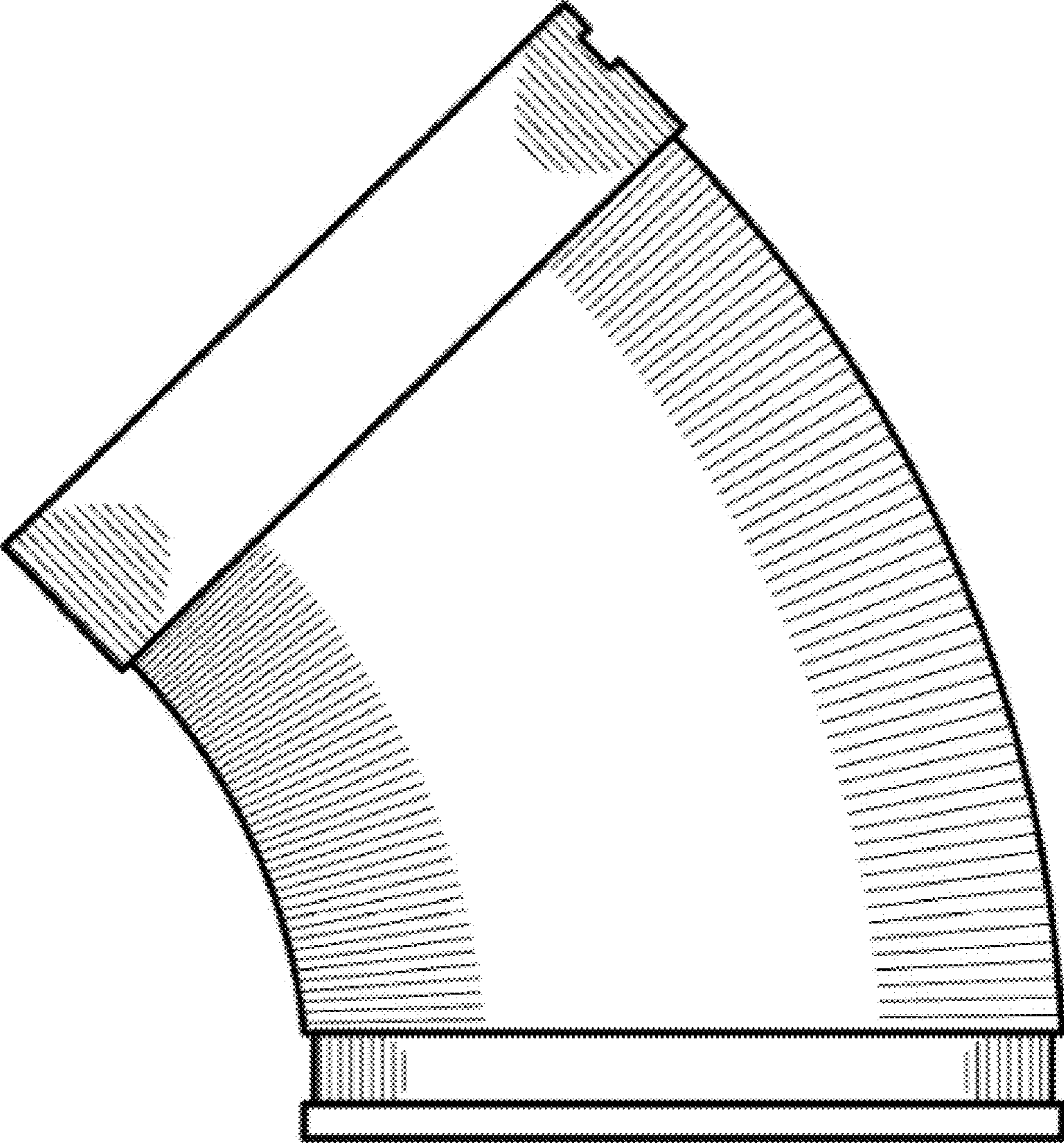


FIG. 5

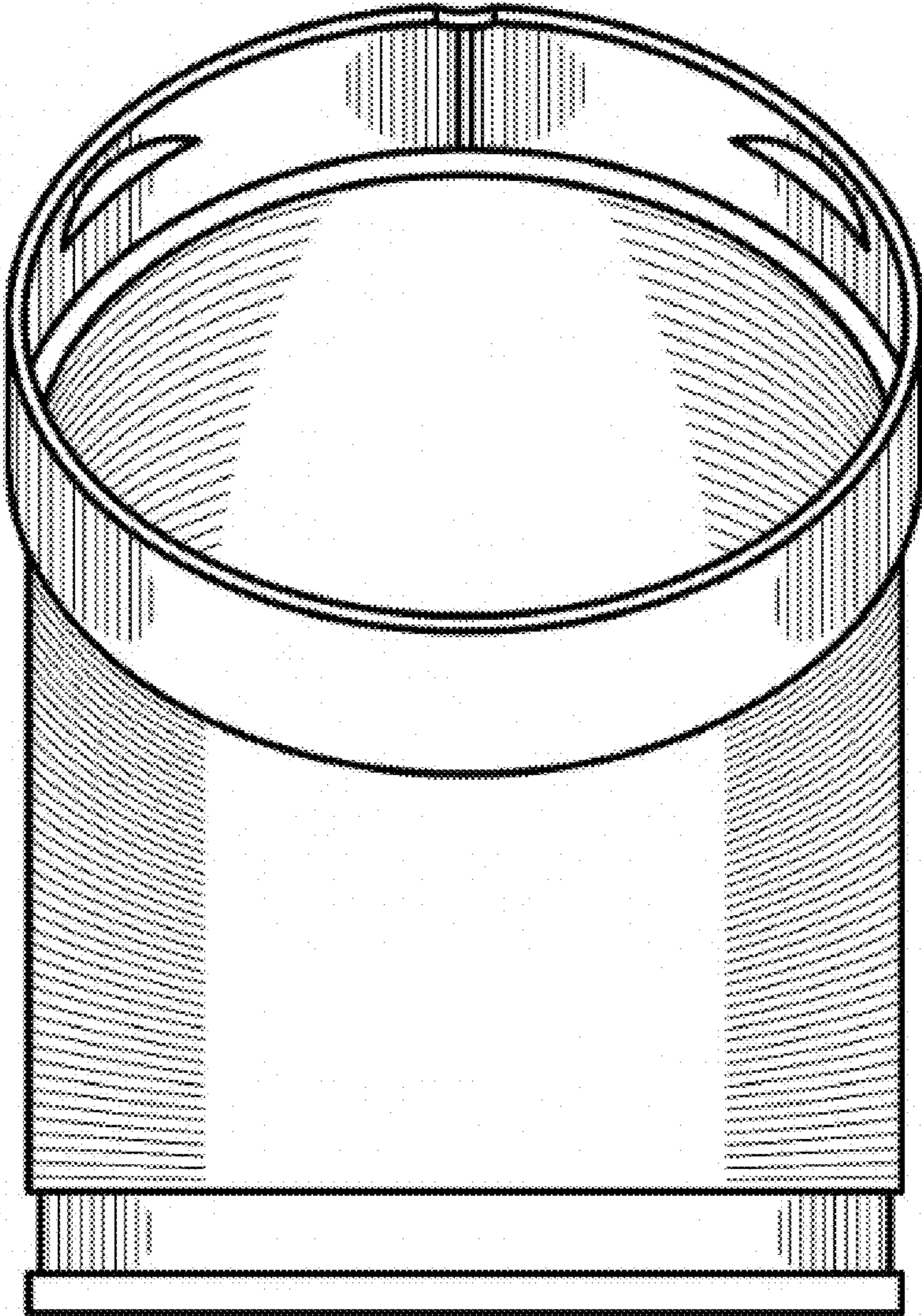


FIG. 6

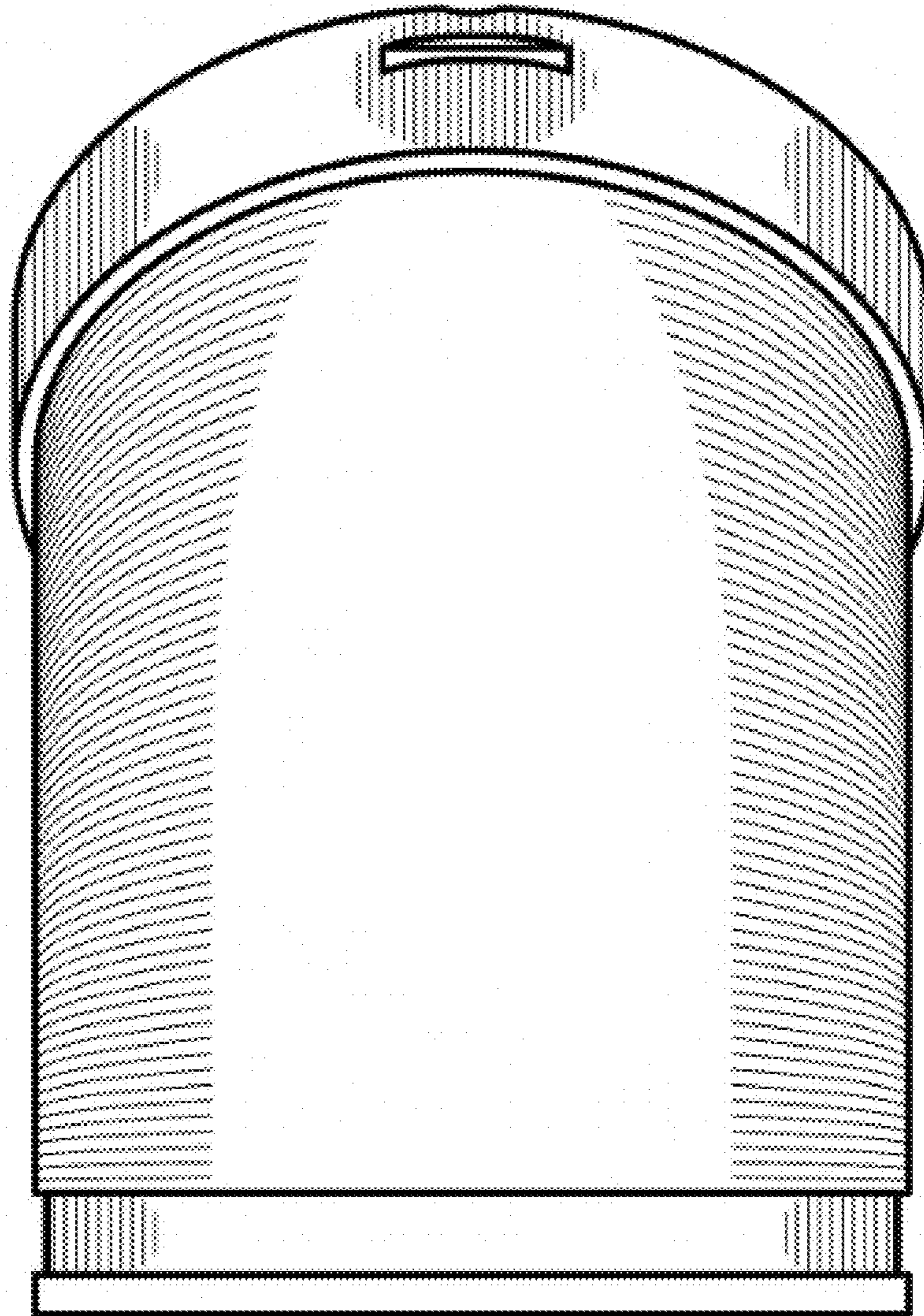


FIG. 7