



US00D951362S

(12) **United States Design Patent** (10) **Patent No.:** **US D951,362 S**
Pleasants (45) **Date of Patent:** **** May 10, 2022**

(54) **CHILD DINING ACCESSORY**
(71) Applicant: **Sarah Pleasants**, South Chesterfield, VA (US)
(72) Inventor: **Sarah Pleasants**, South Chesterfield, VA (US)
(**) Term: **15 Years**
(21) Appl. No.: **29/690,800**
(22) Filed: **May 10, 2019**
(51) **LOC (13) Cl.** **21-01**
(52) **U.S. Cl.**
USPC **D21/468**
(58) **Field of Classification Search**
USPC D21/465, 466, 467, 468, 469, 475;
D7/550.1, 551.1, 552.1, 553.2, 553.3,
D7/554.4, 560, 708.1; 150/158;
248/345.1, 346.01, 346.04, 346.11;
428/99, 100, 227; D6/707.16-707.19
CPC . A47B 2021/006; A47B 23/002; A47B 13/16;
A47B 23/06; A47B 13/14; A47B 23/04;
A63F 9/001; A63F 7/00; A63H 33/006;
A47G 23/05
See application file for complete search history.

D327,498 S * 6/1992 Watson D19/113
D331,608 S * 12/1992 Heiss D21/469
D338,319 S * 8/1993 Bickel D2/864
D351,738 S * 10/1994 LaCombe D12/416
D356,532 S * 3/1995 Butzman D12/133
5,427,292 A * 6/1995 Rousch A47B 23/001
108/25
D361,597 S * 8/1995 Billings D21/469
D364,896 S * 12/1995 Wu D21/465
5,520,119 A * 5/1996 Eisenberg A47B 23/002
108/43
D405,480 S * 2/1999 Yamazaki D21/475
D419,190 S * 1/2000 Mak D21/469
D429,290 S * 8/2000 Reithmeier D21/398
6,116,162 A * 9/2000 Santa Cruz A47B 13/083
108/27
D443,304 S * 6/2001 Mak D21/469
D484,701 S * 1/2004 Fabregas D3/315
D562,613 S * 2/2008 Pascal D6/611
D610,661 S * 2/2010 Kergoet D23/308
D642,408 S * 8/2011 Pirkl D6/707.19

(Continued)

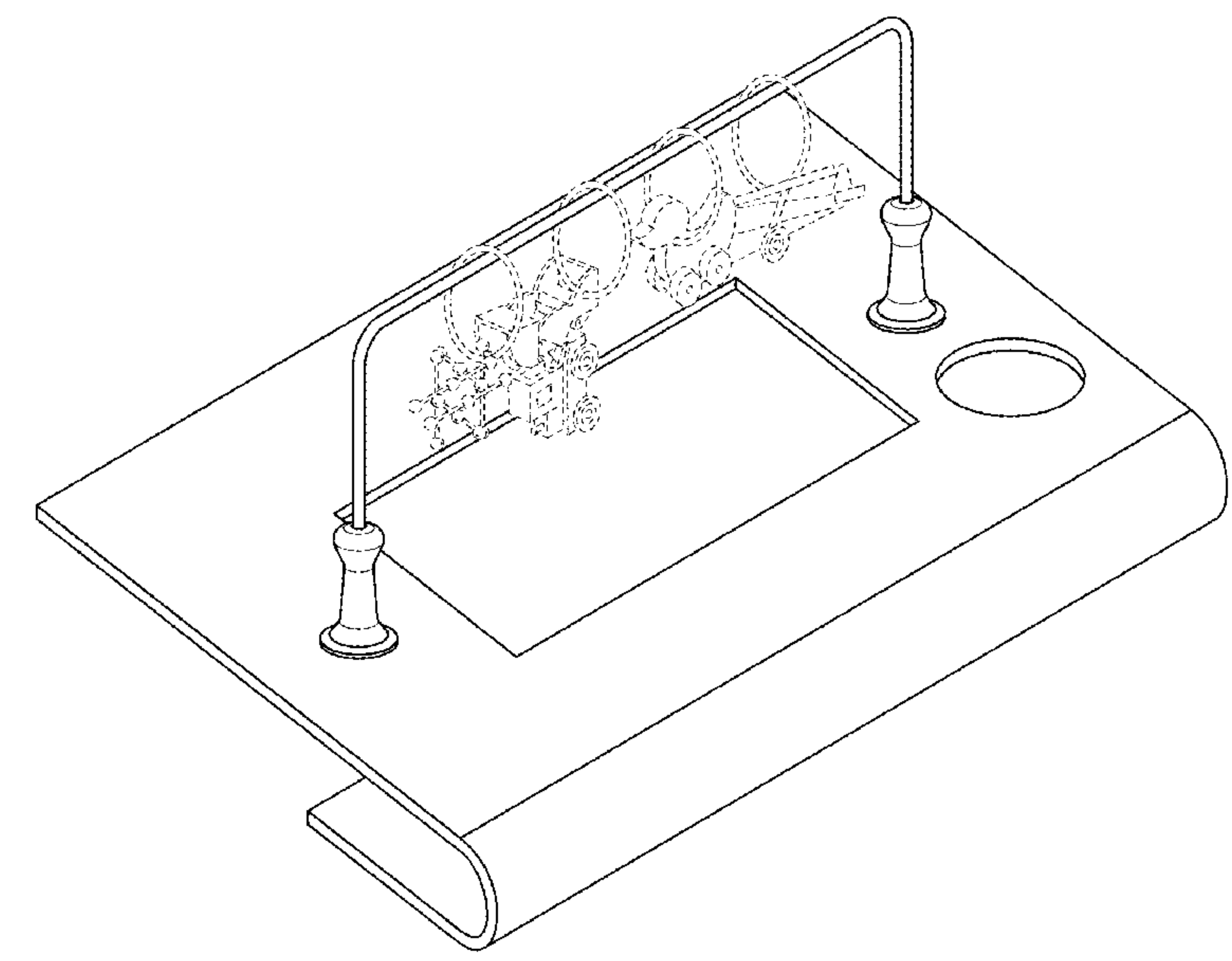
Primary Examiner — Mehri F Bajoul
(74) *Attorney, Agent, or Firm* — The Iwashko Law Firm, PLLC; Lev Ivan Gabriel Iwashko

(57) **CLAIM**
The ornamental design for a child dining accessory, as shown and described.

(56) **References Cited**
U.S. PATENT DOCUMENTS
D149,041 S * 3/1948 Beder D21/468
D150,489 S * 8/1948 Bockus D21/468
D247,792 S * 4/1978 Matay D18/6
D251,690 S * 4/1979 Lee D21/467
D270,506 S * 9/1983 Thorne D6/406.2
D286,344 S * 10/1986 Hughes, Jr. D12/420
D288,513 S * 3/1987 Shelly D6/707.16
D306,323 S * 2/1990 Wise D21/467
4,927,024 A * 5/1990 Lloyd A47G 19/10
206/562
D323,192 S * 1/1992 Takahashi 428/7

DESCRIPTION
FIG. 1 illustrates a front isometric view of a child dining accessory showing my new design;
FIG. 2 illustrates a rear isometric view thereof;
FIG. 3 illustrates a front view thereof; and,
FIG. 4 illustrates a rear view thereof.
The broken lines showing of the toys suspended on rings in FIGS. 1-4 are for the purpose of illustrating the toys suspended on the child dining accessory and forms no part of the claimed design.

1 Claim, 4 Drawing Sheets



(56)

References Cited

U.S. PATENT DOCUMENTS

D642,409 S * 8/2011 Pirkl D6/707.19
D644,467 S * 9/2011 Zannella D6/707.19
D660,070 S * 5/2012 Lugo D6/611
8,388,403 B2 * 3/2013 Seter A47G 19/10
446/227
D680,633 S * 4/2013 Santiago D23/308
8,549,680 B1 * 10/2013 Nichols A47D 15/003
5/418
D700,660 S * 3/2014 Machiach D21/469
D705,581 S * 5/2014 Luczak D6/611
D722,552 S * 2/2015 Pifer, III D12/401
D722,944 S * 2/2015 Pifer, III D12/401
D746,637 S * 1/2016 Mairinger D7/553.2
9,565,929 B2 * 2/2017 Flannery B65D 21/0233
10,040,383 B2 * 8/2018 Baker B60N 3/002
D829,046 S * 9/2018 Alix D7/397
10,335,671 B2 * 7/2019 Pleasants A47G 23/06
2005/0039639 A1 * 2/2005 Espenschied A47B 23/002
108/25
2006/0180056 A1 * 8/2006 Dorholt A47B 13/086
108/90
2018/0271273 A1 * 9/2018 Miller A45F 3/44
2020/0037755 A1 * 2/2020 Mosora A45F 3/14
2020/0069045 A1 * 3/2020 Barwick F16M 13/022

* cited by examiner

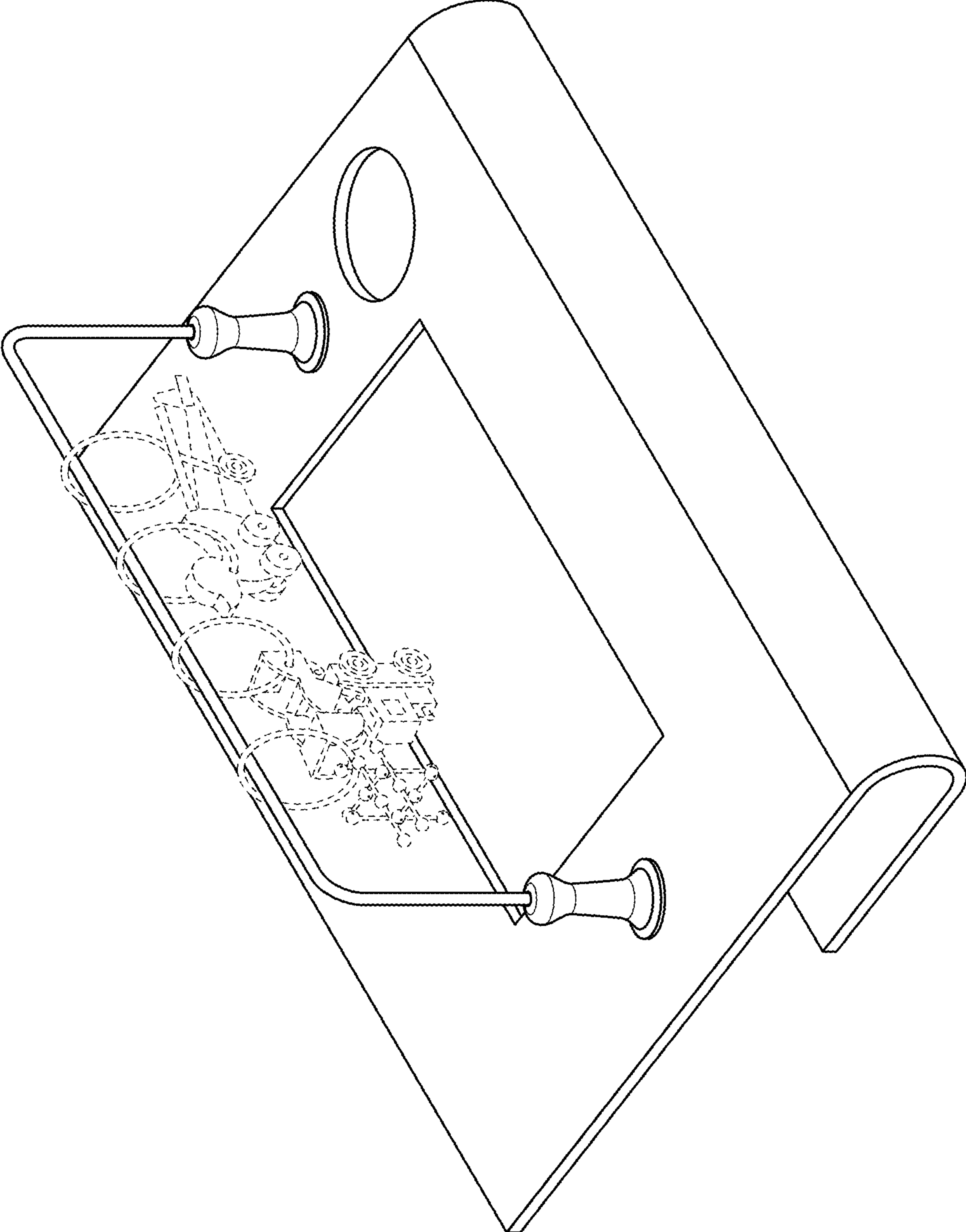


FIG. 1

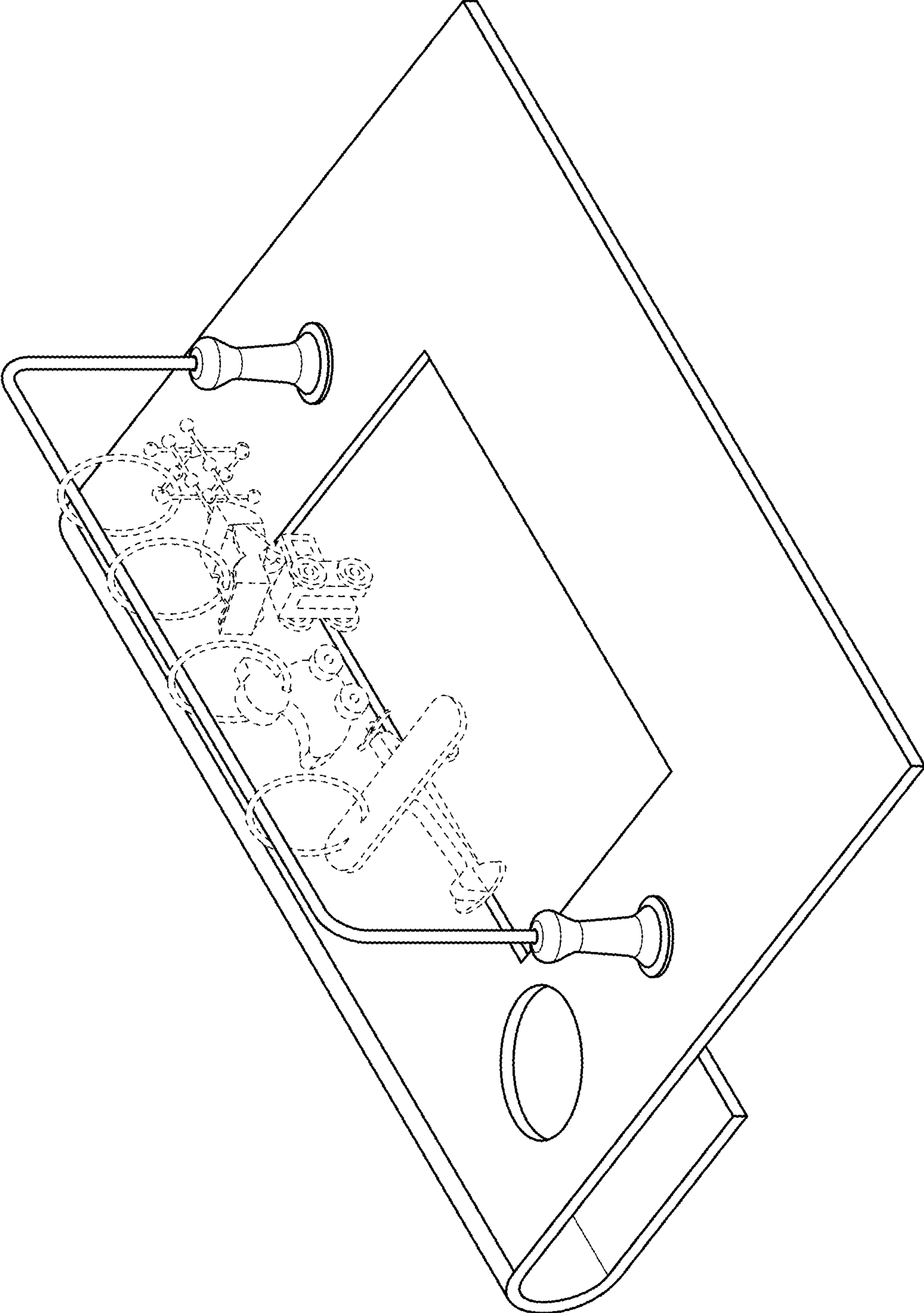


FIG. 2

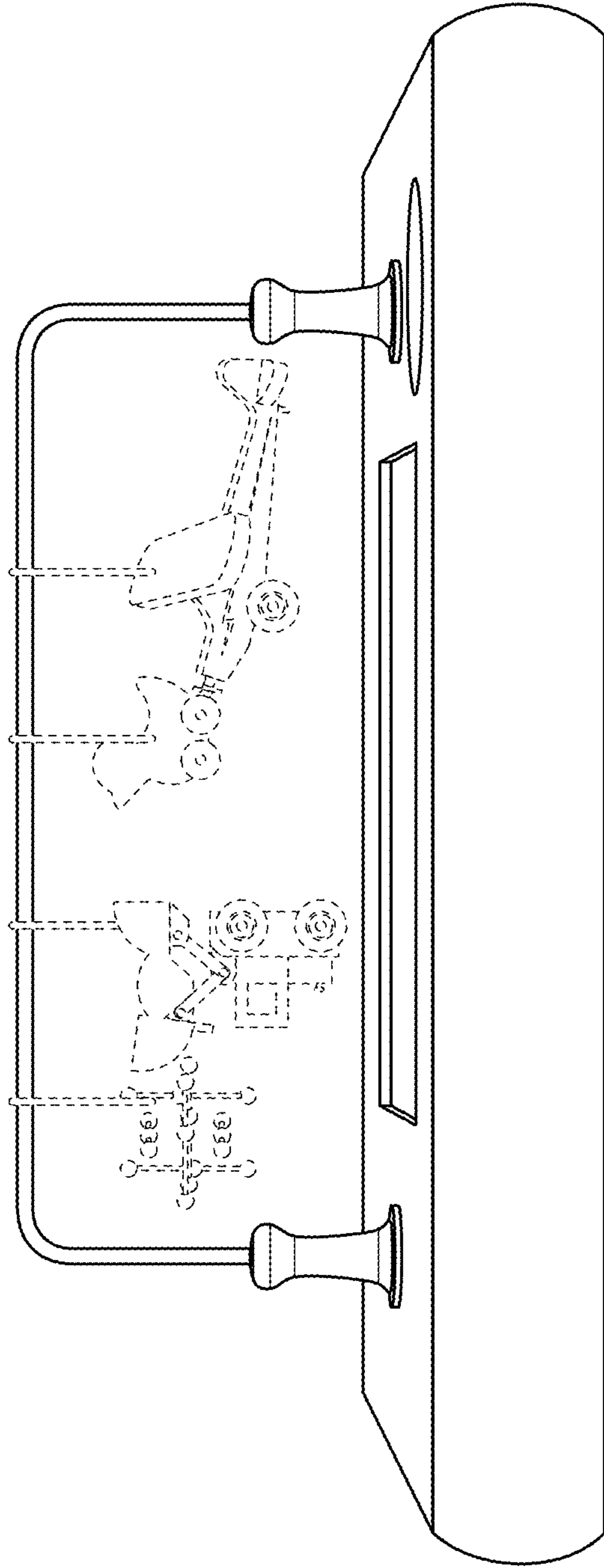


FIG. 3

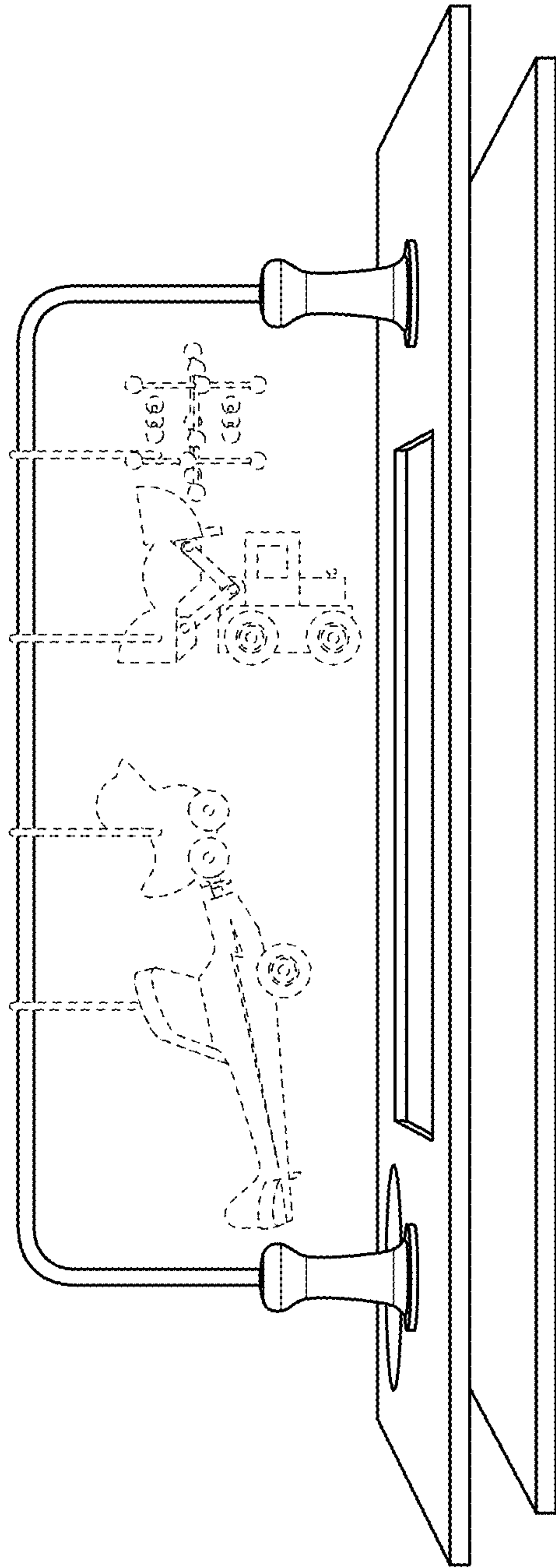


FIG. 4