



US00D951361S

(12) **United States Design Patent**
Soon-Shiong et al.

(10) **Patent No.:** **US D951,361 S**

(45) **Date of Patent:** **** May 10, 2022**

(54) **PERSONAL TRANSPORT VEHICLE**

(71) Applicant: **NantMobility, LLC**, Culver City, CA (US)

(72) Inventors: **Patrick Soon-Shiong**, Los Angeles, CA (US); **Thomas M. Wittenschlaeger**, Flowery Branch, GA (US); **Nathan H. Allen**, Pasadena, CA (US)

(73) Assignee: **NANTMOBILITY, LLC**, Culver City, CA (US)

(**) Term: **15 Years**

(21) Appl. No.: **29/750,478**

(22) Filed: **Sep. 14, 2020**

(51) **LOC (13) Cl.** **21-01**

(52) **U.S. Cl.**
USPC **D21/423**

(58) **Field of Classification Search**
USPC D21/419, 421, 423, 424-427, 429, 432, D21/435, 760, 763, 765, 771; D12/1, D12/110

CPC B62K 3/002; B62K 9/00; B62K 2202/00; B62K 15/00; B62K 2015/001; B62K 2015/003; B60Y 2200/126

See application file for complete search history.

(56) **References Cited**

U.S. PATENT DOCUMENTS

1,872,142	A	8/1932	Holtzman	
D210,839	S *	4/1968	Jones	D21/423
3,897,842	A	8/1975	Rheaume et al.	
3,948,563	A	4/1976	Replin	
4,007,614	A	2/1977	Schott et al.	
4,379,393	A	4/1983	Schott et al.	
4,522,281	A	6/1985	Snider	
D293,092	S	12/1987	Yamada	
D312,485	S *	11/1990	Turner	D21/423
5,265,695	A	11/1993	Piazzini et al.	
D414,220	S	9/1999	Catto	

D433,654	S	11/2000	Gorvine
D441,323	S	5/2001	Cheng
D445,144	S	7/2001	Lin
D449,860	S	10/2001	Lin
D450,355	S	11/2001	Chan
D456,460	S	4/2002	Tseng
D458,563	S	6/2002	Jones
D464,002	S	10/2002	Ho
D464,379	S	10/2002	Lin

(Continued)

OTHER PUBLICATIONS

“Sbyke P16 Skateboard/Bicycle Hybrid.” Brookston., Mar. 29, 2012, 1 page [online], [retrieved on Jun. 25, 2016]. Retrieved from the Internet <URL:http://www.brookstone.com/sbyke-p16-skateboard-bicycle-hybrid/877781p.htm-l?bkeid=compare|mercent|googlebaseads|search&adpos=1o7&creative=9761900900-4&device=c&matchtype=&network=s&gclid=C.

(Continued)

Primary Examiner — Cynthia M. Chin

(74) *Attorney, Agent, or Firm* — Harness Dickey & Pierce P.L.C.

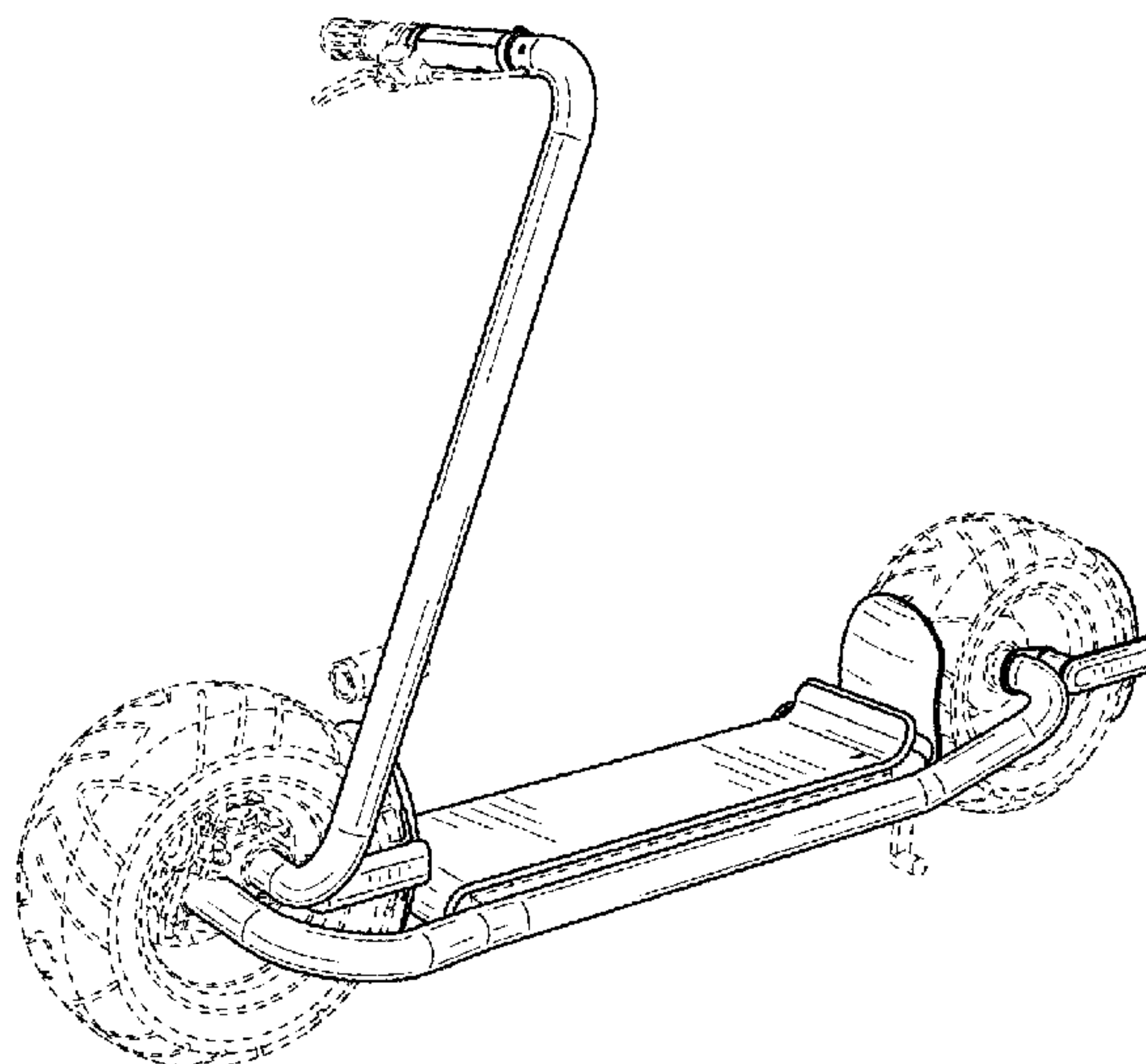
(57) **CLAIM**

The ornamental design for a personal transport vehicle, as shown and described.

DESCRIPTION

FIG. 1 is an isometric view of a personal transport vehicle in accordance with our new design; FIG. 2 is a front elevation view thereof; FIG. 3 is a rear elevation view thereof; FIG. 4 is a right side elevation view thereof; FIG. 5 is a left side elevation view thereof; FIG. 6 is a top plan view thereof; and, FIG. 7 is a bottom plan view thereof. The broken lines shown are included for the purpose of illustrating portions of the article which form no part of the claimed design.

1 Claim, 7 Drawing Sheets



(56)

References Cited

U.S. PATENT DOCUMENTS

6,505,846	B1	1/2003	Hoffman	
D479,285	S	9/2003	Jung	
D480,662	S	10/2003	Ou	
D483,078	S	12/2003	Jung	
D487,908	S	3/2004	Mayer	
D492,367	S	6/2004	Dennis	
D494,507	S	8/2004	Doong	
D508,093	S	8/2005	Wu	
D513,629	S	1/2006	Sramek	
D513,772	S	1/2006	Otis	
D563,484	S	3/2008	Laatz	
D679,223	S	4/2013	Loasby	
D693,414	S	11/2013	Hadley	
8,776,932	B1	7/2014	Bussinger et al.	
9,051,019	B2	6/2015	Reck	
9,440,698	B2	9/2016	Dadoosh et al.	
D774,961	S	12/2016	Allen	
9,873,476	B2	1/2018	Etzelsberger et al.	
D890,852	S *	7/2020	Yang	D21/423
D893,636	S *	8/2020	Forte	D21/423
10,889,347	B2 *	1/2021	Allen	B62J 45/00
10,946,923	B2 *	3/2021	Allen	A63C 17/016
2003/0102647	A1	6/2003	Morrone	

2005/0269793	A1	12/2005	Mackin et al.
2006/0266570	A1	11/2006	Roth et al.
2009/0020350	A1	1/2009	Wu
2011/0298193	A1	12/2011	Fan
2012/0193159	A1	8/2012	Wu et al.
2013/0341885	A1	12/2013	Nagakubo
2014/0203538	A1	7/2014	Huang
2015/0068828	A1	3/2015	Delgatty et al.
2017/0001683	A1	1/2017	Gerencser
2018/0015978	A1	1/2018	Delgatty et al.
2018/0022411	A1	1/2018	Kistemaker et al.
2019/0382072	A1	12/2019	Allen
2020/0231240	A1	7/2020	Allen

OTHER PUBLICATIONS

“Scrooser Electric Scooter.” Weezbo., Jul. 6, 2012, 2 pages [online], [retrieved on Jun. 25, 2016]. Retrieved from the Internet <URL: <http://weezbo.com/scrooser-electric-scooter.html>>.

“2016 Newest Big Wheel Scooter 2 Wheel City Scooter.” Every China website., Jan. 11, 2016, 7 pages [online], [retrieved on Jun. 25, 2016]. Retrieved from the Internet <URL: <http://weezbo.com/scrooser-electric-scooter.html>>.

* cited by examiner

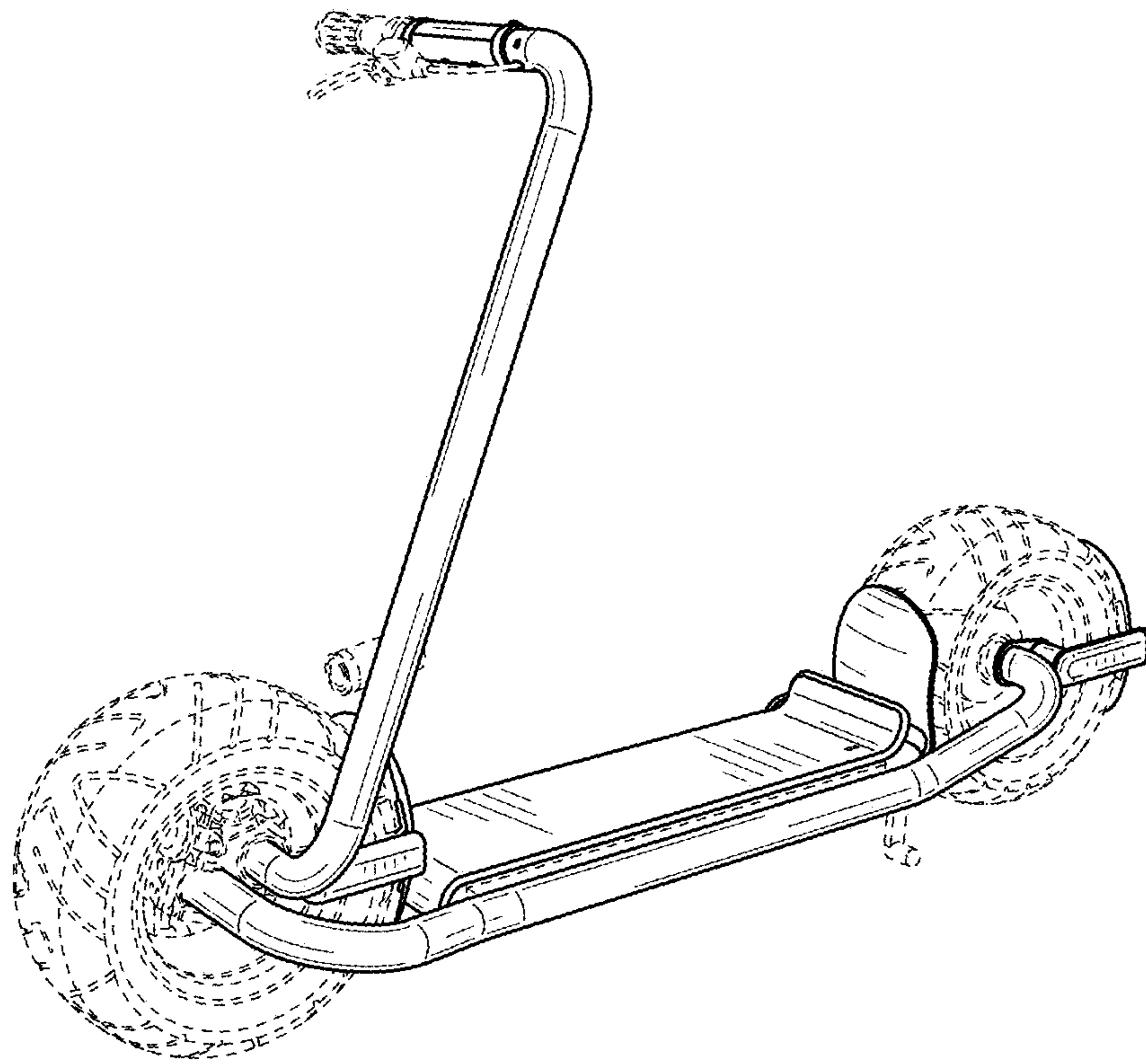


FIG. 1

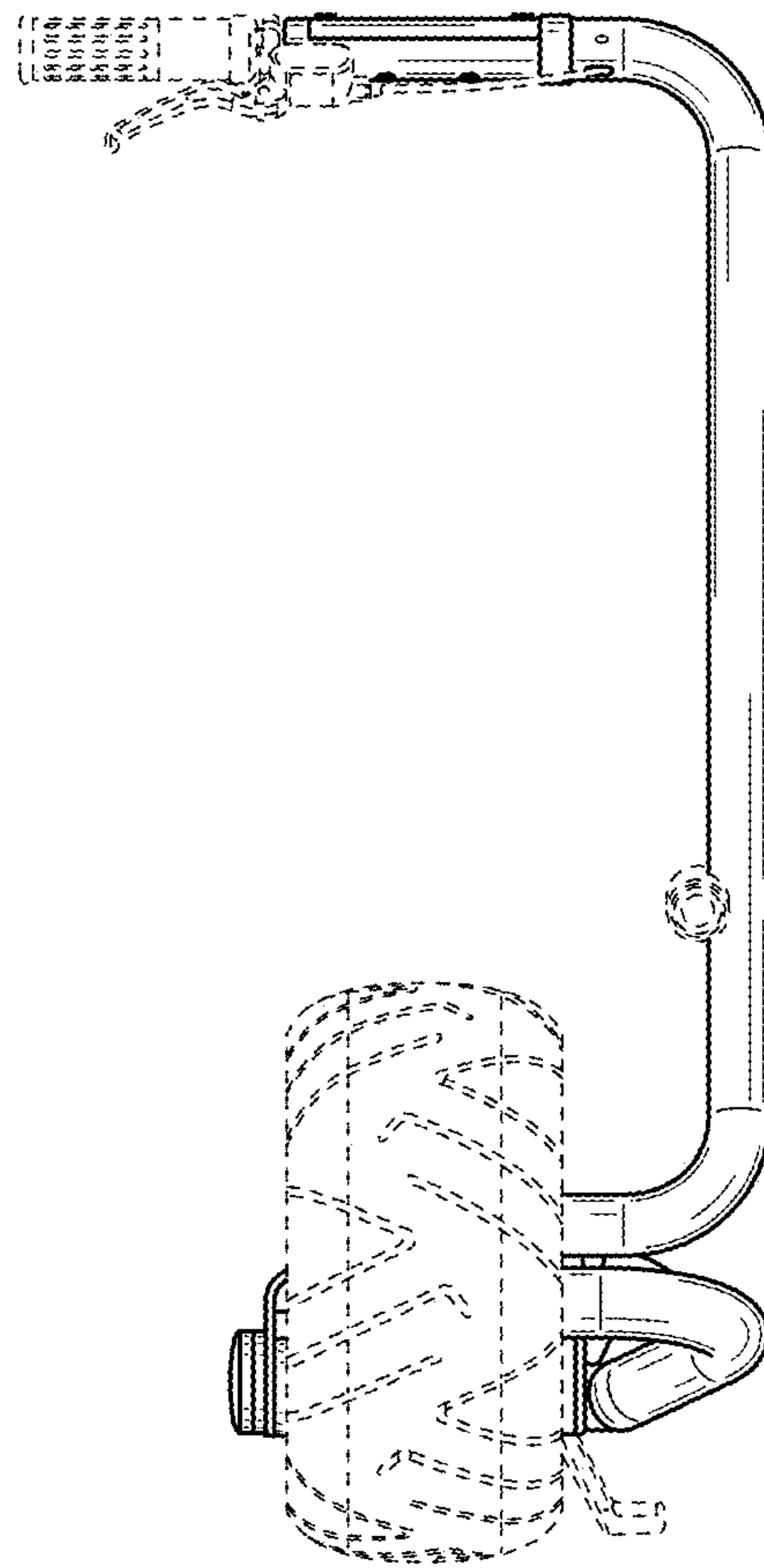


FIG. 2

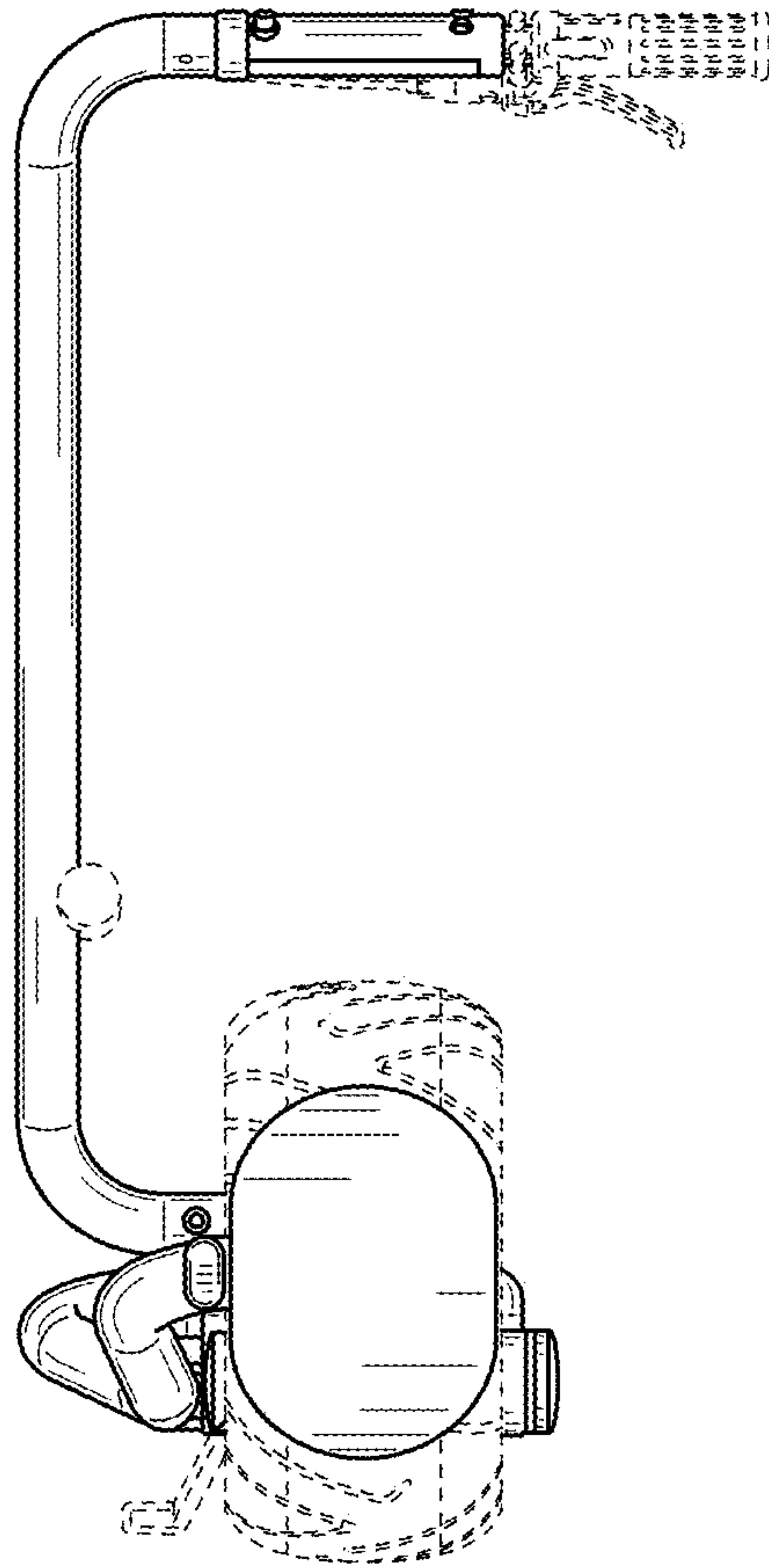


FIG. 3

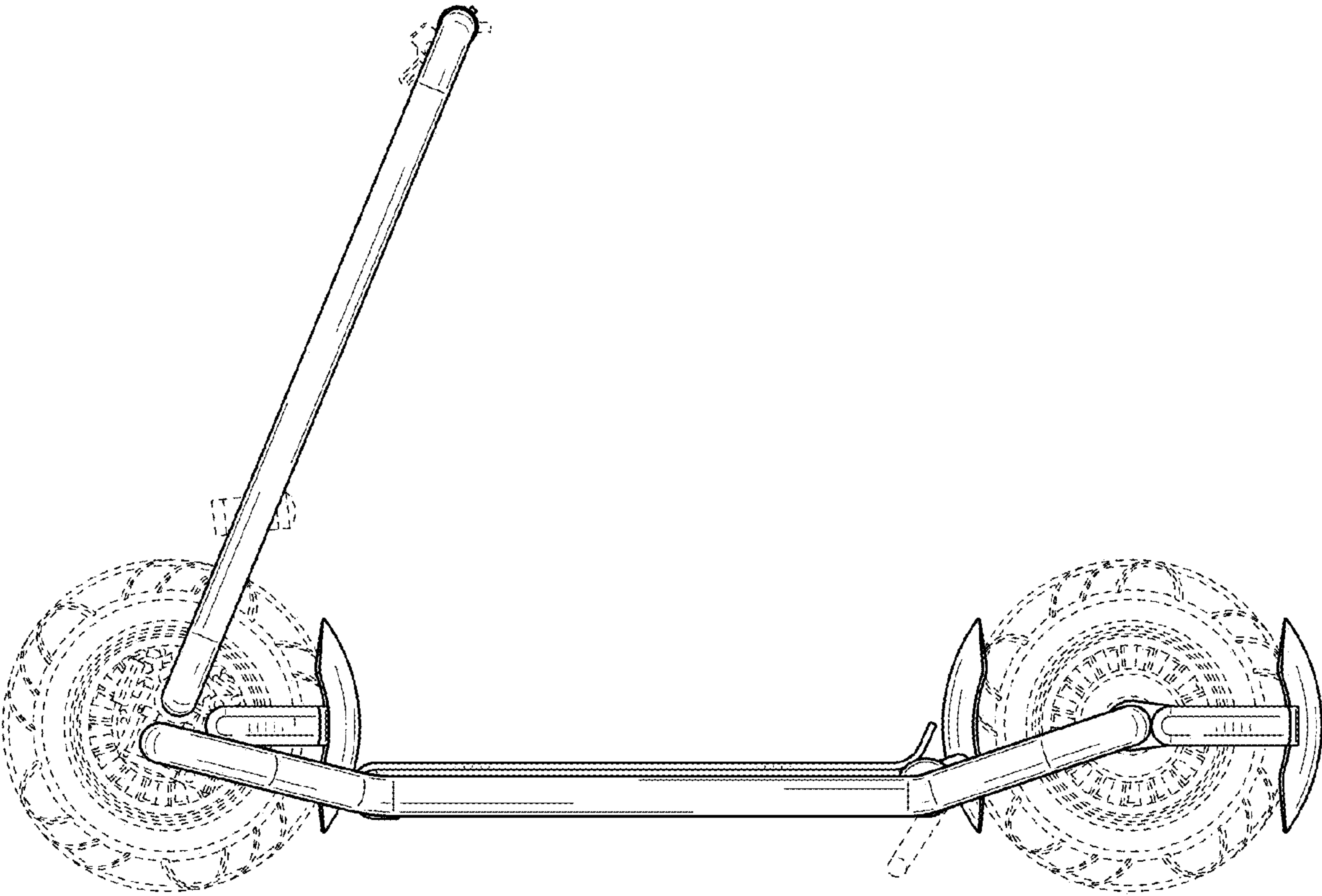


FIG. 4

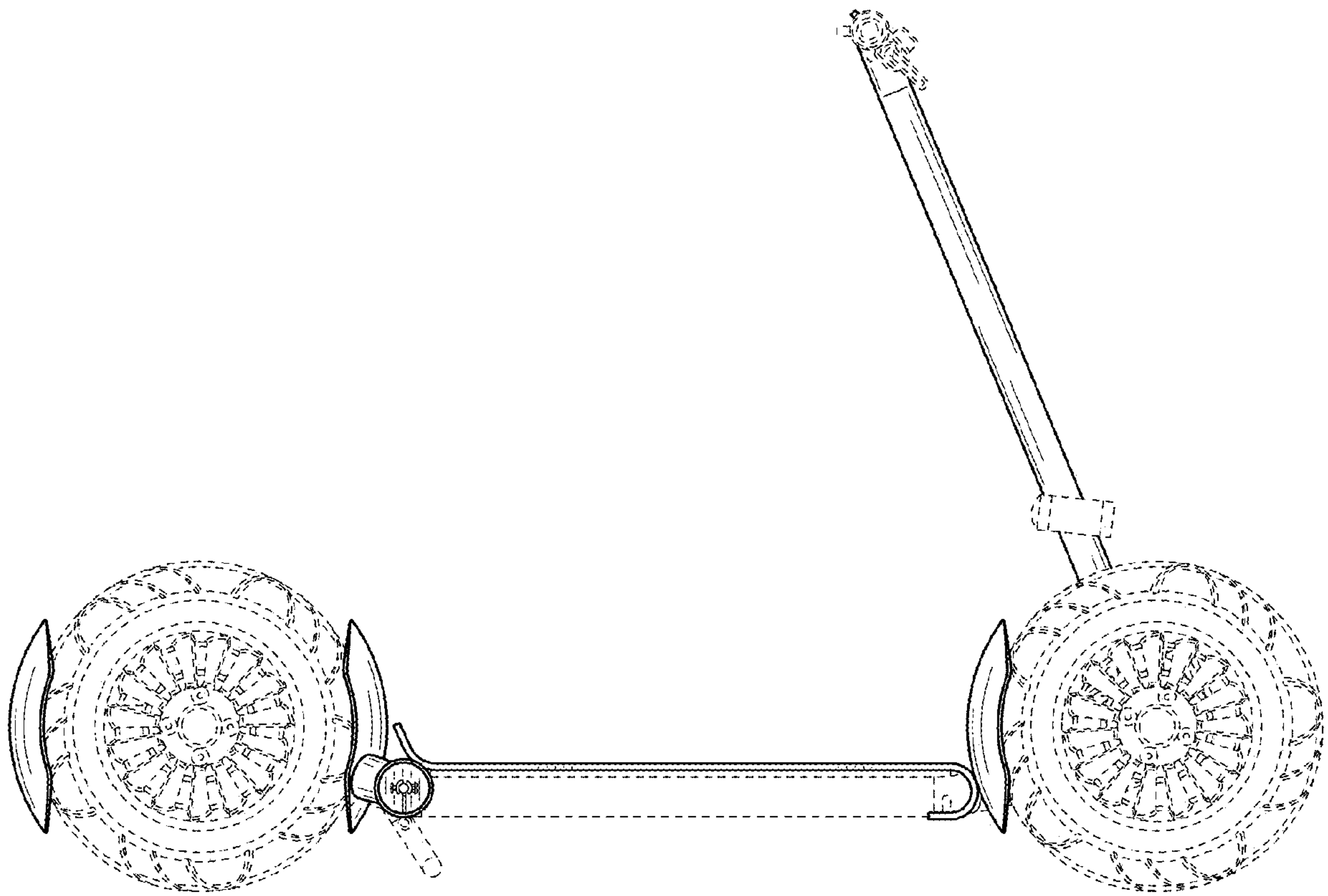


FIG. 5

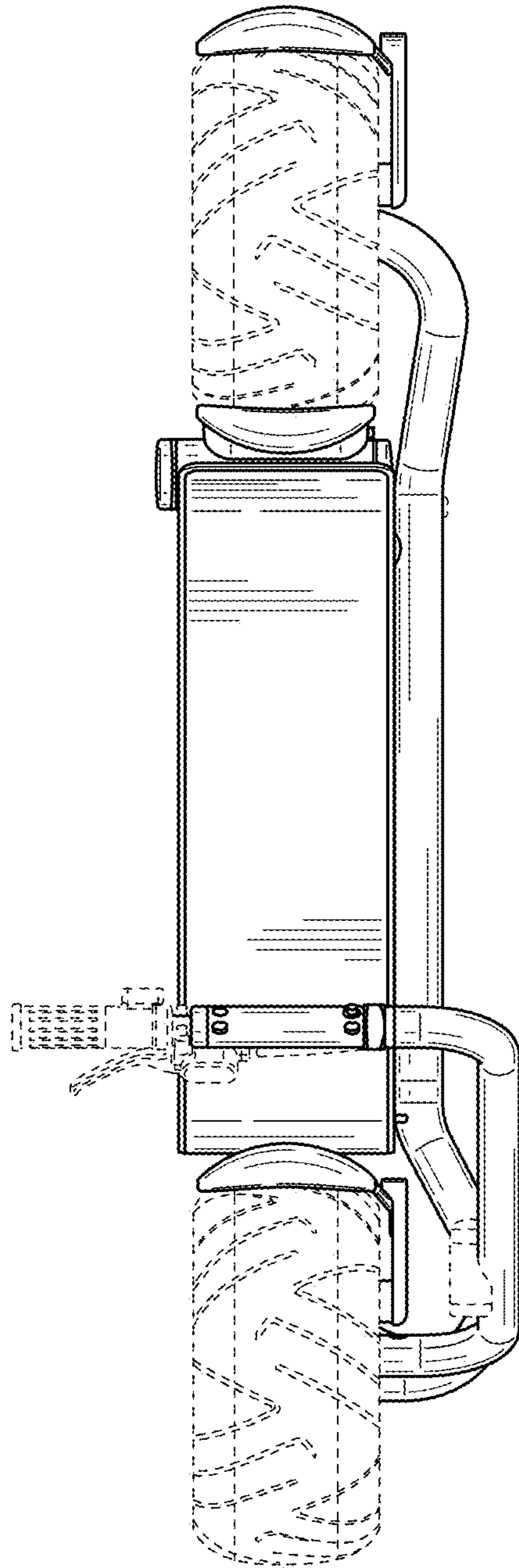


FIG. 6

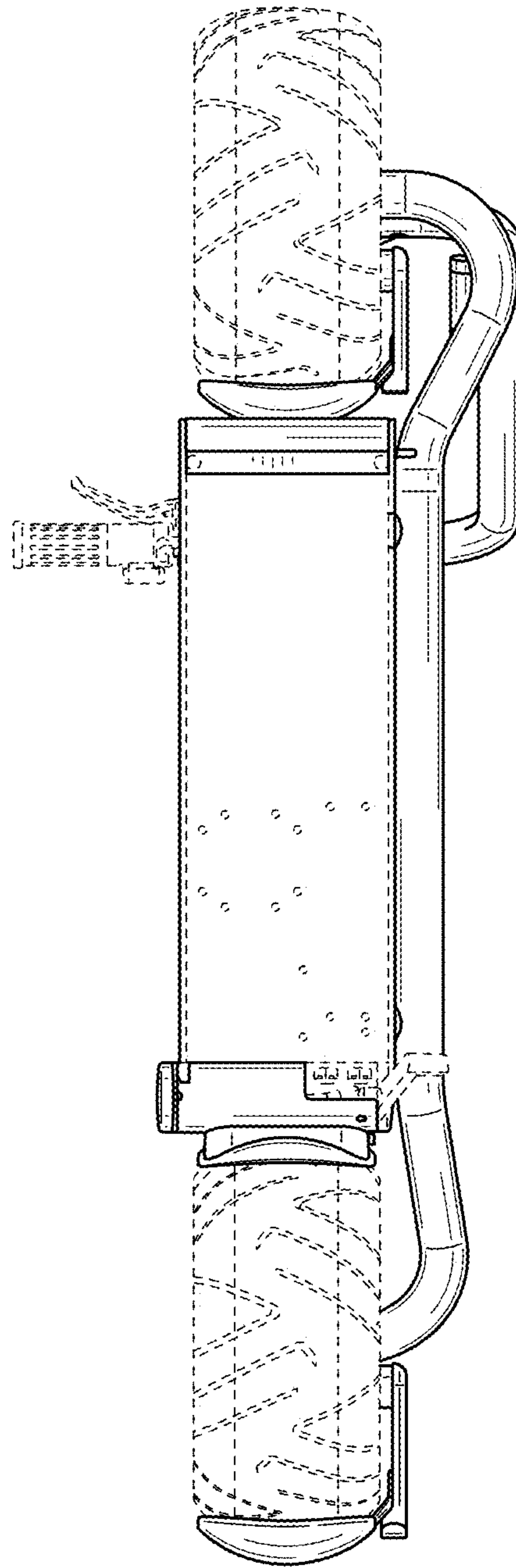


FIG. 7