



US00D951359S

(12) **United States Design Patent** (10) **Patent No.:** **US D951,359 S**
Lawson et al. (45) **Date of Patent:** **** May 10, 2022**

(54) **GAMING CABINET**

8,319,601 B2 11/2012 Gelman et al.
D684,216 S * 6/2013 Terpstra D21/370
8,469,799 B2 6/2013 Cole
(Continued)

(71) Applicant: **Primero Games, LLC**, Duluth, GA
(US)

(72) Inventors: **Conrad J. Lawson**, Duluth, GA (US);
Jordan G. Bogdan, Duluth, GA (US);
Gregory S. Gronau, Duluth, GA (US);
Varadrajann Kannan, Duluth, GA (US)

FOREIGN PATENT DOCUMENTS

GB 6012130 * 5/2017
GB 6012131 * 5/2017
(Continued)

(73) Assignee: **Primero Games, LLC**, Duluth, GA
(US)

OTHER PUBLICATIONS

Creative Arcades Full Size Commercial Grade Cabinet Arcade Machine, first available, Dec. 21, 2018, amazon.com [online], site visited Oct. 2, 2021, Available from internet URL:https://amzn.to/3FfE6BB (Year: 2018).*

(**) Term: **15 Years**

(Continued)

(21) Appl. No.: **29/727,189**

(22) Filed: **Mar. 9, 2020**

(51) **LOC (13) Cl.** **21-03**

(52) **U.S. Cl.**
USPC **D21/370**

(58) **Field of Classification Search**
USPC D21/325, 335, 369-371, 375, 385;
D6/650; D14/126-130, 305, 307
CPC G07F 17/3267; G07F 17/3239; G07F
17/3248; G07F 17/3209; G07F 17/3206;
A63F 9/24; H05K 5/0017
See application file for complete search history.

Primary Examiner — Garth Rademaker
Assistant Examiner — Salamah Jordan
(74) *Attorney, Agent, or Firm* — Morris, Manning &
Martin, LLP; Daniel E. Sineway; Adam J. Thompson

(57) **CLAIM**

The ornamental design for a gaming cabinet, as shown and described.

DESCRIPTION

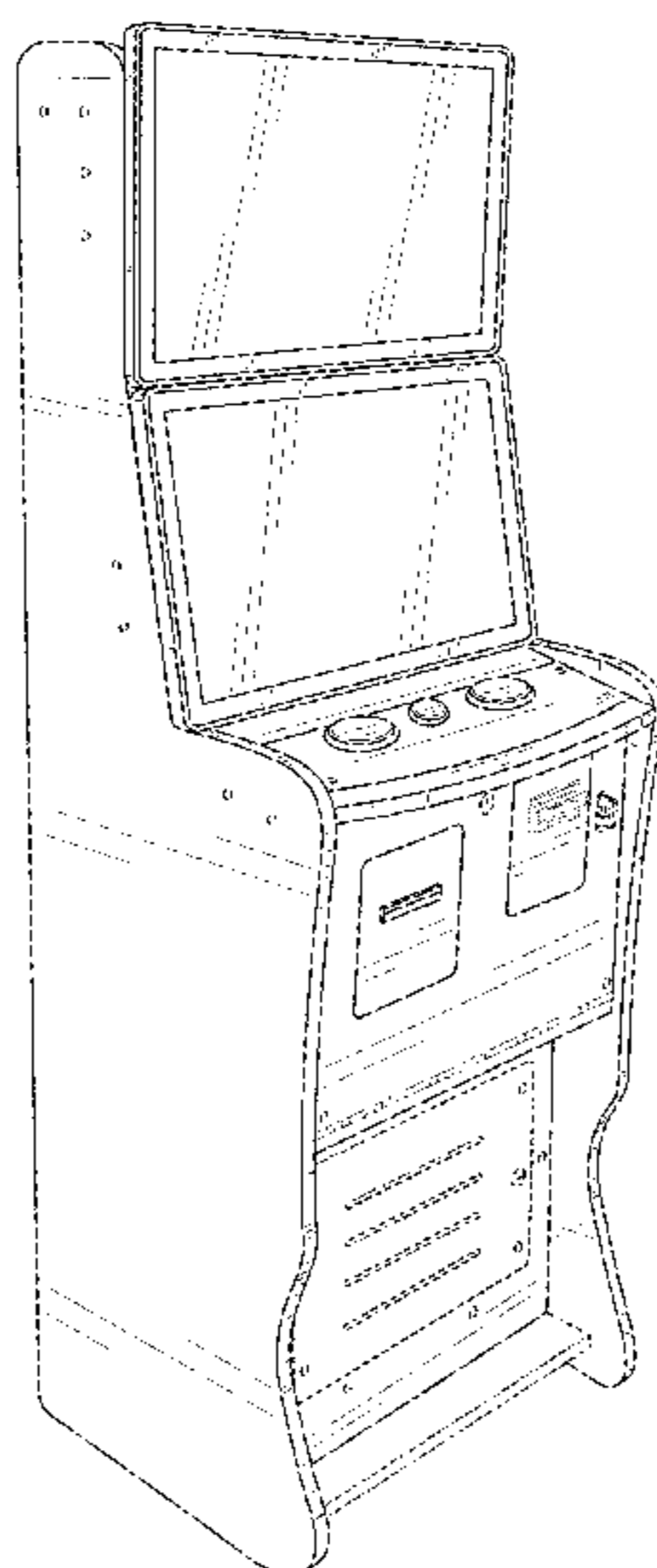
(56) **References Cited**

U.S. PATENT DOCUMENTS

5,276,312 A 1/1994 McCarthy
6,656,046 B1 12/2003 Yoseloff et al.
7,004,837 B1 2/2006 Crowder et al.
D573,200 S * 7/2008 Hashimoto D21/370
D604,368 S * 11/2009 Lesley D21/370
7,699,703 B2 4/2010 Muir et al.
D615,598 S * 5/2010 McComb D21/370
D616,039 S * 5/2010 Bruzzese D21/370
D626,183 S * 10/2010 Cole D21/370
D649,605 S * 11/2011 Terpstra D21/370
8,277,319 B2 10/2012 Gong

FIG. 1 is a front perspective view of a gaming cabinet, showing a new design.
FIG. 2 is a rear perspective view thereof.
FIG. 3 is a front view thereof.
FIG. 4 is a rear view thereof.
FIG. 5 is a left side view thereof.
FIG. 6 is a right side view thereof.
FIG. 7 is a top view thereof; and,
FIG. 8 is a bottom view thereof.
The broken lines in the drawings depict portions of the gaming cabinet that form no part of the claimed design.

1 Claim, 8 Drawing Sheets



(56)

References Cited

U.S. PATENT DOCUMENTS

D685,435 S * 7/2013 Hohman D21/370
 D721,766 S * 1/2015 Ferrazoli D21/370
 D727,431 S * 4/2015 Themann D21/370
 9,105,153 B2 8/2015 Betts et al.
 D760,846 S * 7/2016 Castro D21/385
 9,640,035 B2 5/2017 Nguyen et al.
 10,083,567 B2 9/2018 Hollibaugh et al.
 10,217,319 B2 2/2019 Gagner et al.
 D858,641 S * 9/2019 Legras D21/370
 D931,377 S * 9/2021 McGahn D21/370
 2003/0017870 A1 1/2003 Klein
 2003/0232640 A1 12/2003 Walker et al.
 2008/0248865 A1 10/2008 Tedesco et al.
 2009/0061990 A1 5/2009 Schwartz
 2009/0124357 A1 5/2009 Acres
 2010/0048305 A1 2/2010 Koplín
 2010/0062836 A1 3/2010 Young
 2010/0062837 A1 3/2010 Young

2010/0227671 A1 9/2010 Laaroussi et al.
 2011/0269523 A1 11/2011 Nicely et al.
 2013/0053116 A1 2/2013 Haushalter
 2013/0090156 A1 4/2013 Oh et al.
 2013/0095912 A1 4/2013 Walker et al.
 2017/0161987 A1 6/2017 Bulzacki et al.
 2017/0236372 A1 8/2017 Bulzacki et al.
 2019/0251792 A1 8/2019 Lamb

FOREIGN PATENT DOCUMENTS

GB 6065934 * 7/2019
 KR 300823720.0000 * 11/2015

OTHER PUBLICATIONS

AtGames Legends Ultimate Home Arcade, first available, Dec. 21, 2018, amazon.com [online], site visited Oct. 2, 2021, Available from internet URL: <https://amzn.to/2ZRzBNz> (Year: 2018).*

* cited by examiner

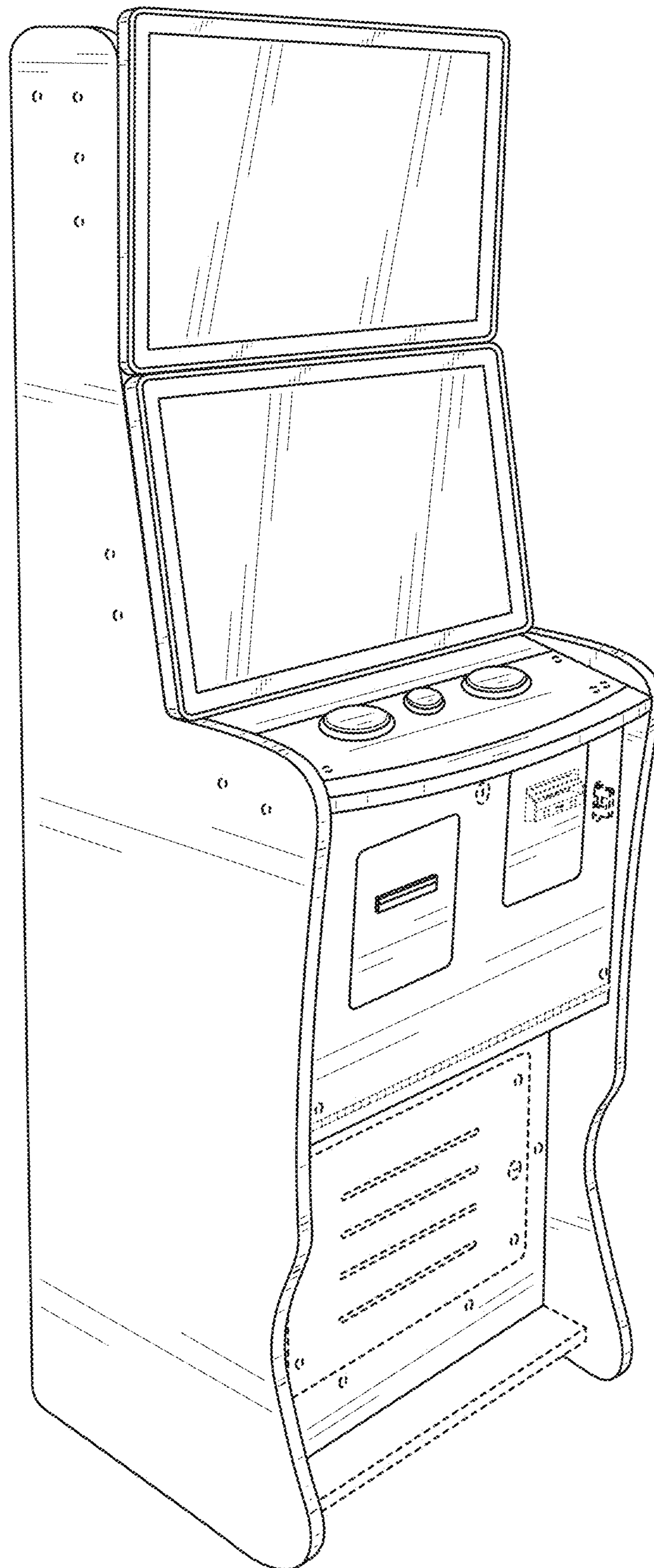


FIG. 1

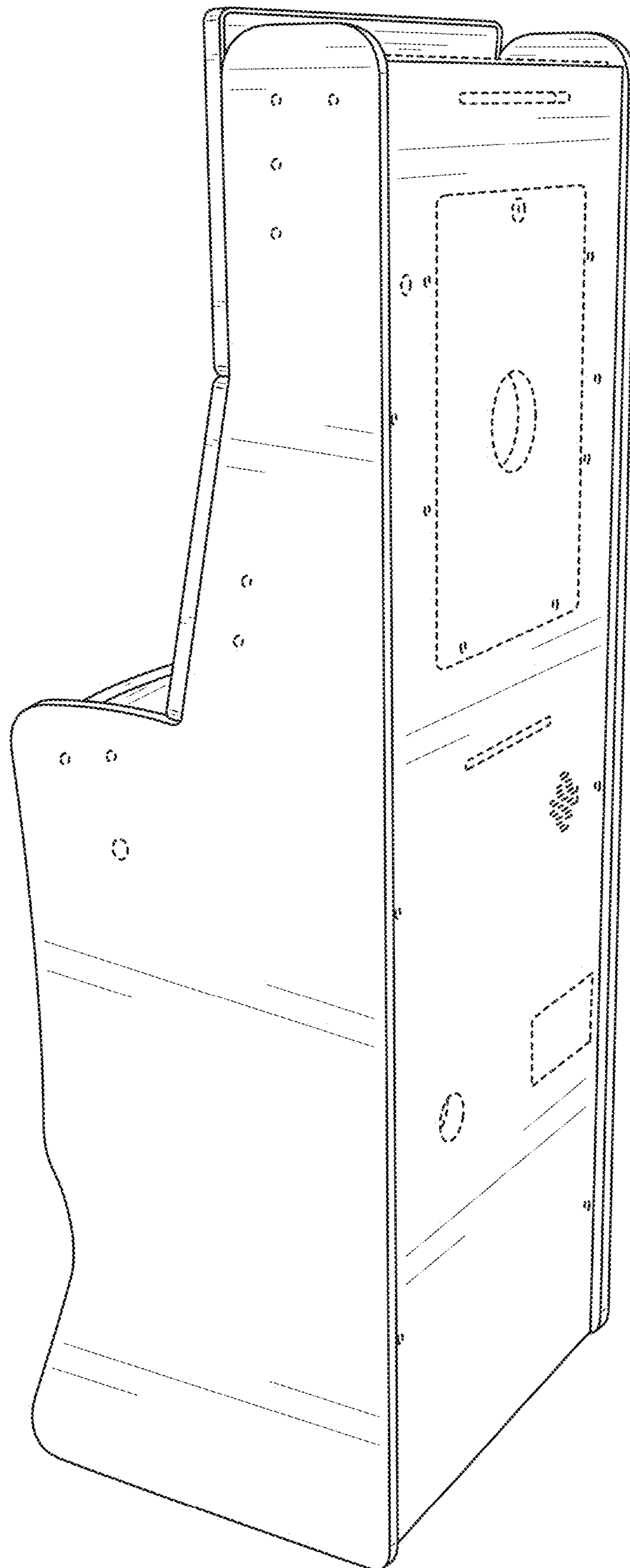


FIG. 2

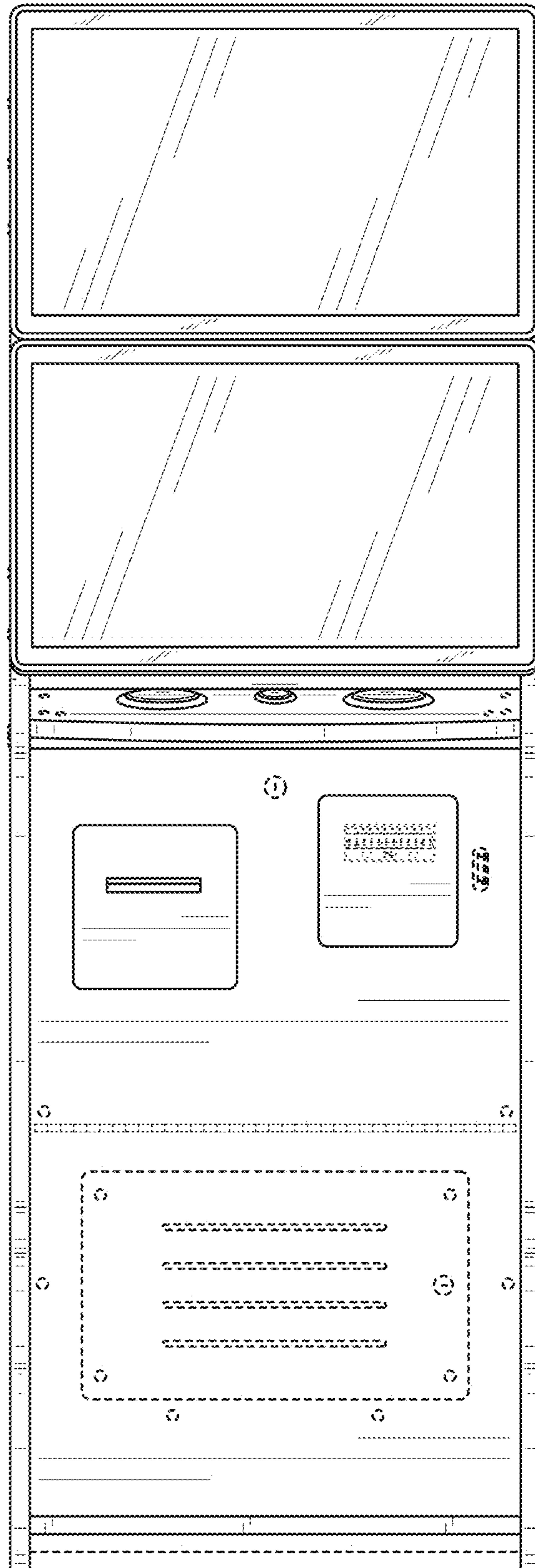


FIG. 3

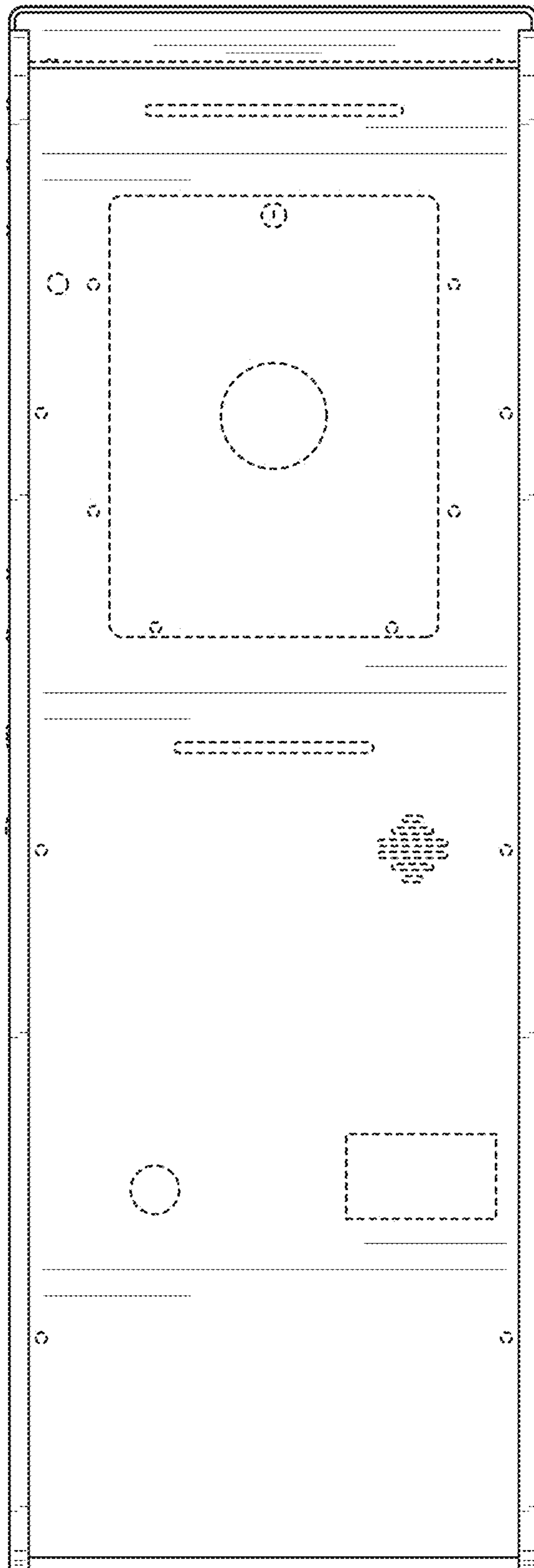


FIG. 4

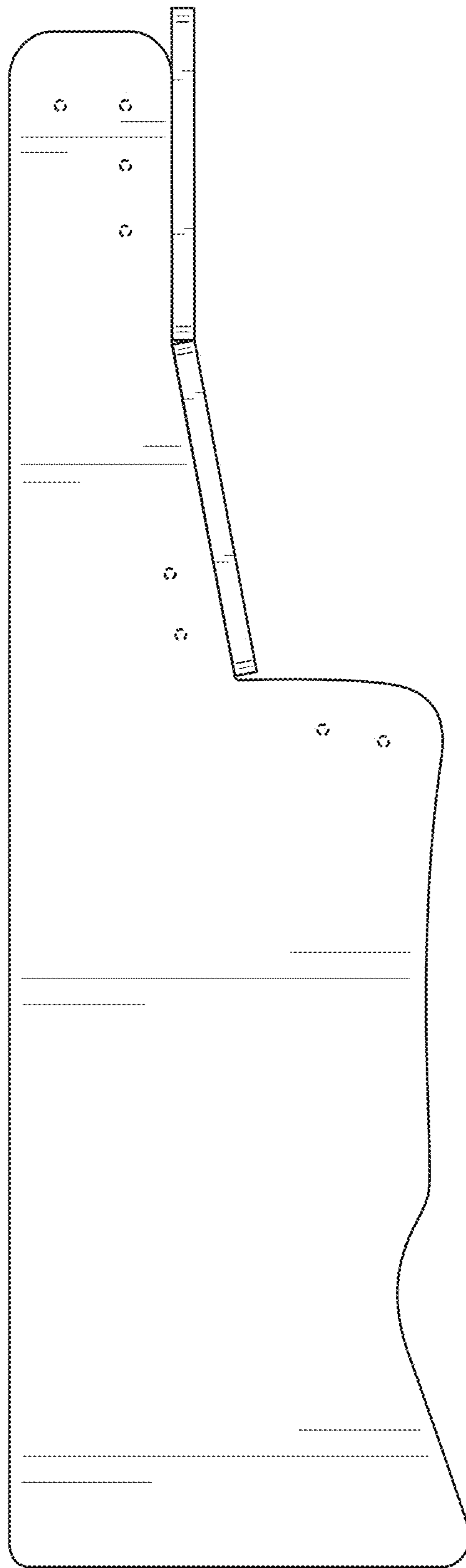


FIG. 5

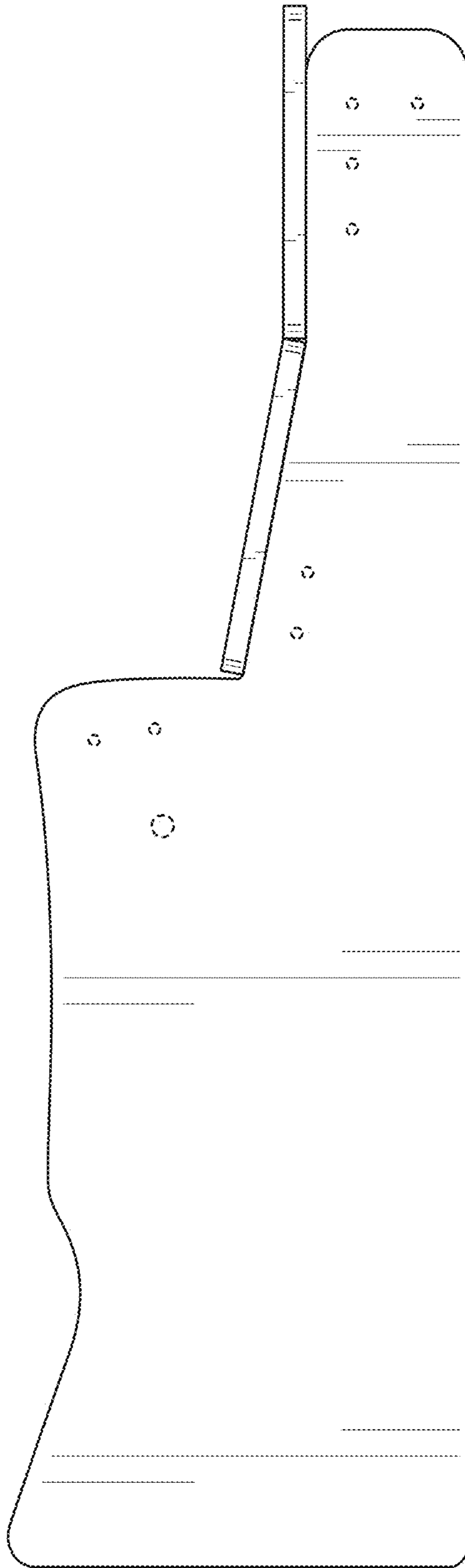


FIG. 6

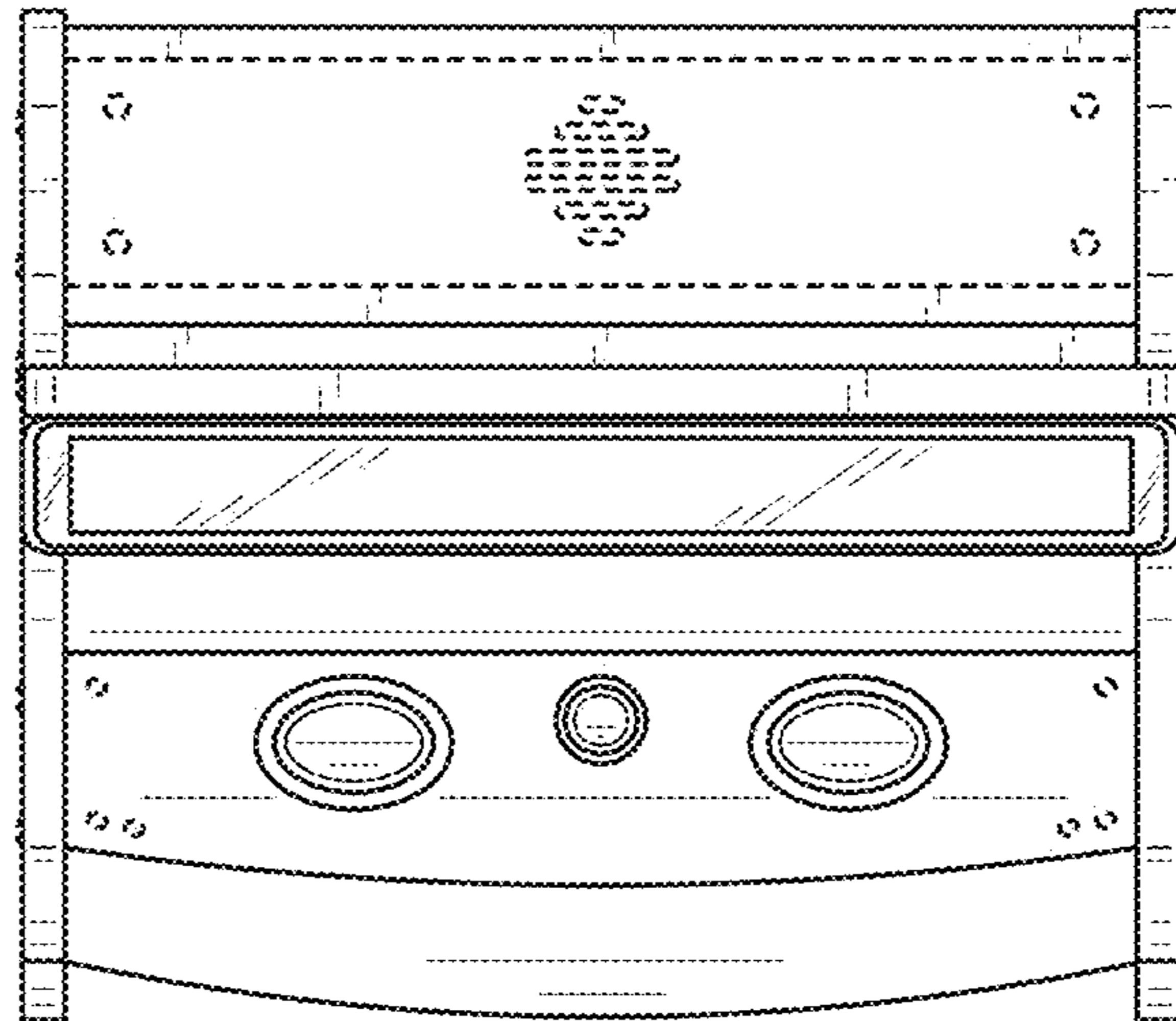


FIG. 7

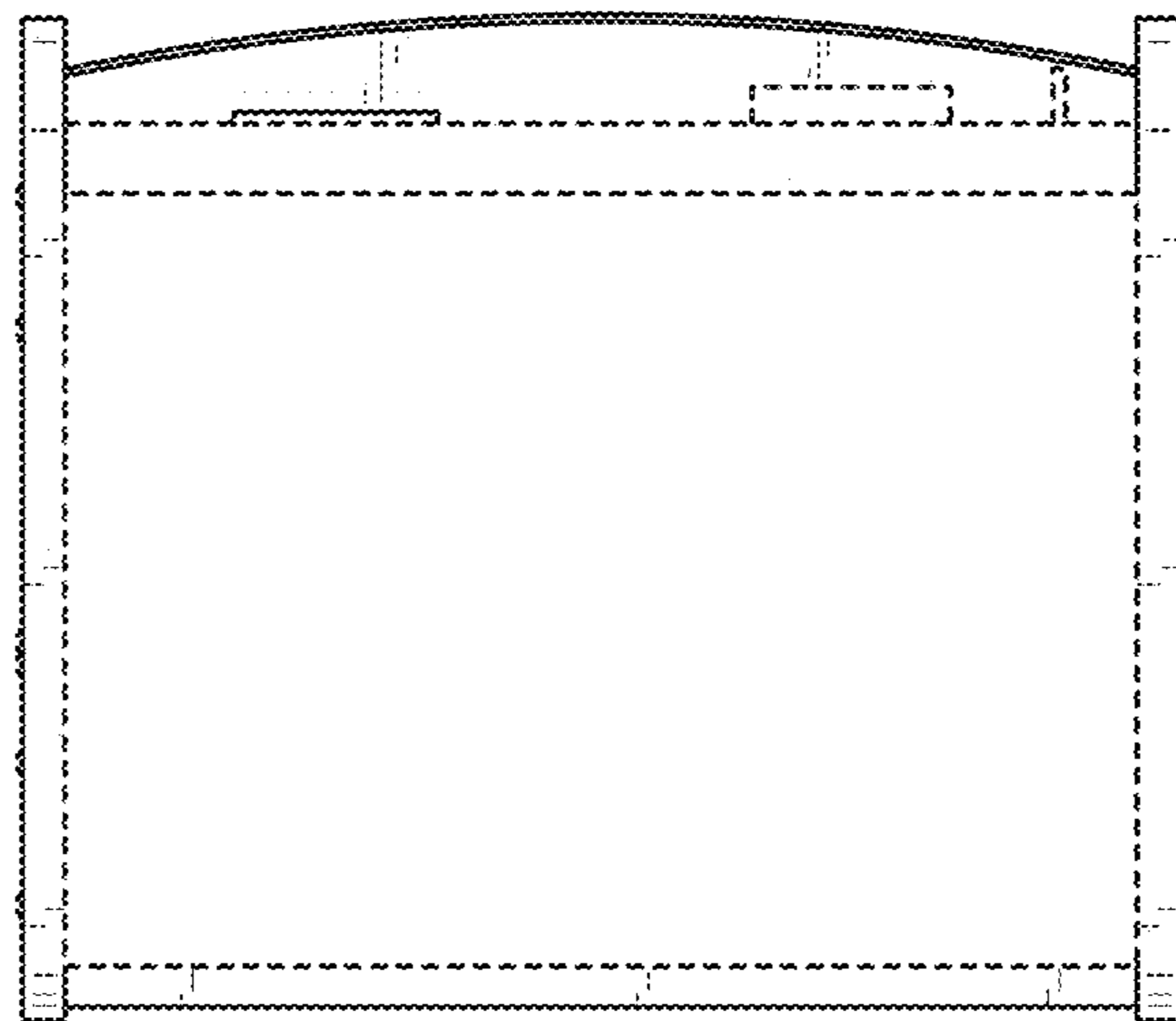


FIG. 8